

010 COMPLETE ENGINE

Pos.	Part No.	Description	Dimension	Quantity	Conditions
1	77 0005 371 5	ENGINE		1	1)
-		<i>Please order additionally!</i>			
	77 0004 280 2	SUPPORT		1,000	
	77 0004 772 2	SPRING		1,000	
	77 0004 772 3	SUPPORT		1,000	
		<i>Please order additionally!</i>			
	77 0001 693 5	SCREW		8,000	
	77 0005 277 4	TORSION DAMPER		1,000	
	77 0005 382 9	NUT		1,000	
	77 0005 383 0	STUD BOLT		1,000	
	77 0005 383 2	SHAFT		1,000	
1	77 0005 599 7	ENGINE		1	2)
-		<i>Please order additionally!</i>			
	77 0005 997 8	HEXAGON HEAD BOLT		6,000	
		<i>Please order additionally!</i>			
	77 0103 068 6	BEARING-1 BALL		1,000	
		<i>Please order additionally!</i>			
	77 0001 693 5	SCREW		8,000	
	77 0005 277 4	TORSION DAMPER		1,000	
1	77 0005 371 5	ENGINE		1	3)
-		<i>Please order additionally!</i>			
	77 0001 693 5	SCREW		8,000	
	77 0005 277 4	TORSION DAMPER		1,000	

1) Equipment

Homologationtype OK0031 MECHANICAL REV.
+ 4062
->PL.10.1.03.A

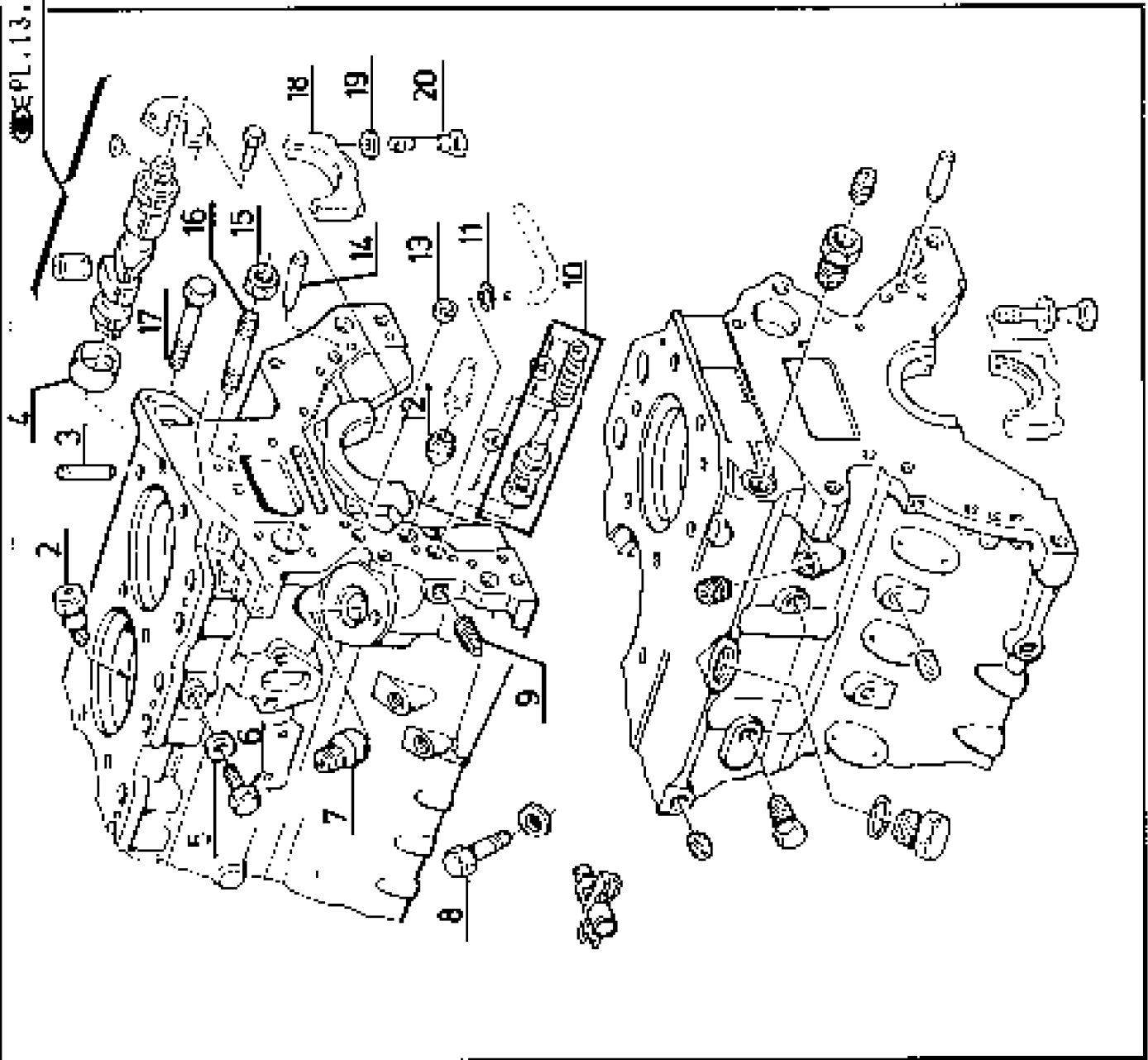
2) Homologationtype

+ 4072
->PL.10.1.03.B

3) Equipment

Homologationtype OK0033 REVERSHIFT
+ 4062
->PL.10.1.03.A

DEPL. 13.1.20.A



1

<https://www.ebooklibonline.com>

Hello dear friend!

Thank you very much for reading.

Enter the link into your browser.

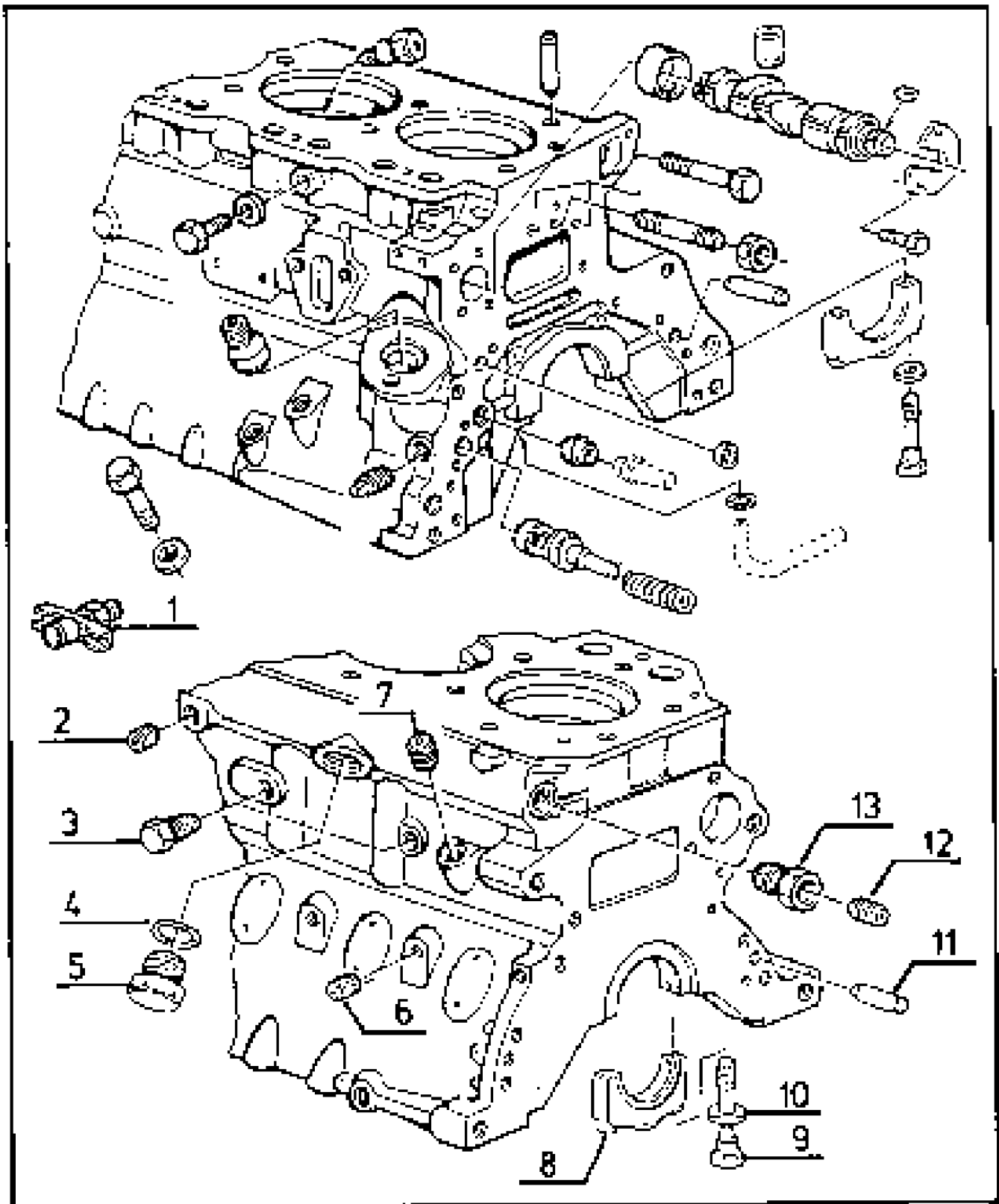
The full manual is available for immediate download.

<https://www.ebooklibonline.com>

100 CRANKCASE 1)

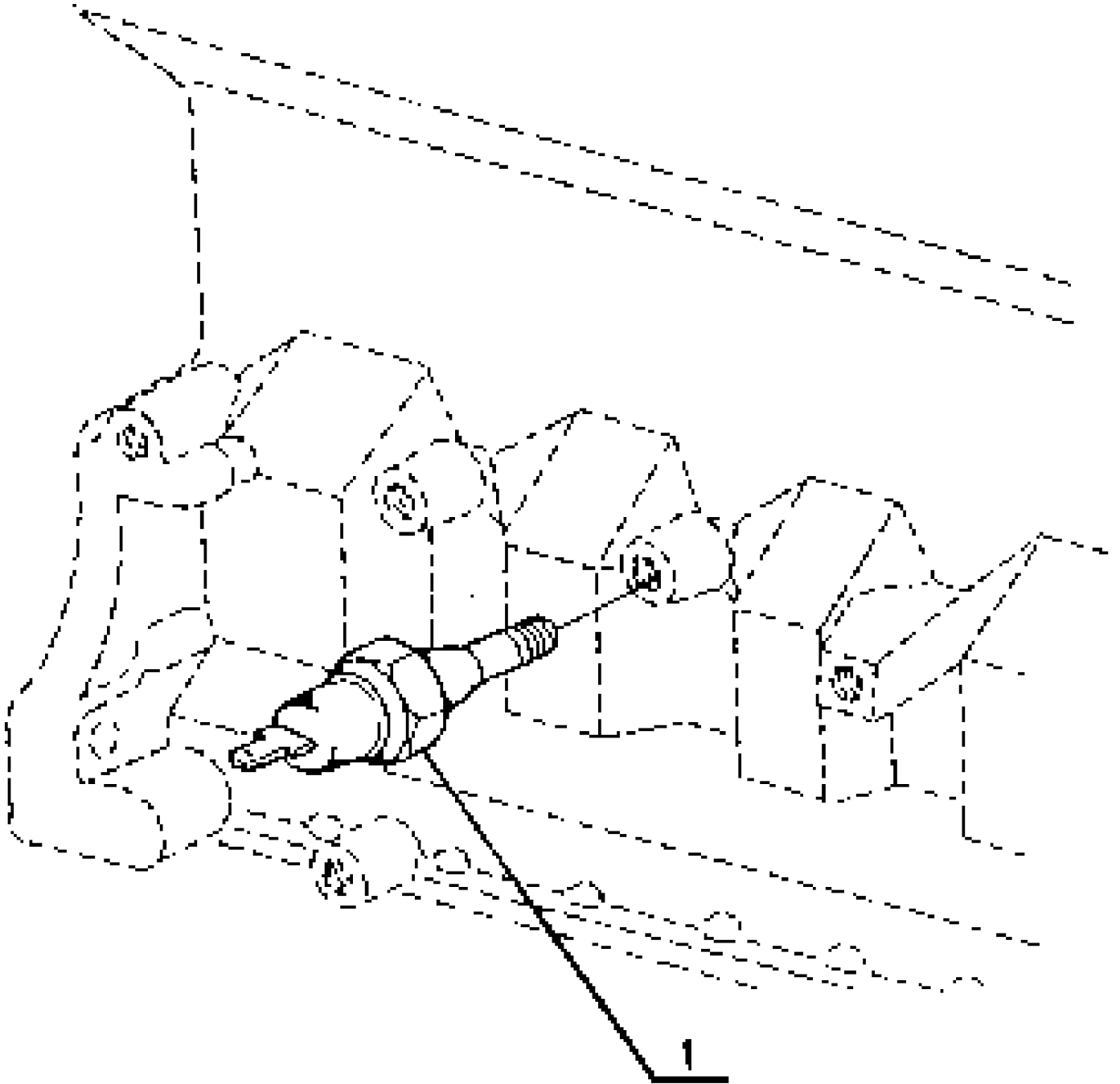
Pos.	Part No.	Description	Dimension	Quantity	Conditions
1	60 0501 596 7	CRANKCASE		1	
2	60 0501 318 9	SCREW		6	
3	60 0501 317 4	CENTRING PIN		2	
4	60 0501 294 1	BEARING		1	
5	60 0501 596 8	WASHER		1	
6	60 0501 289 7	SCREW		1	2)
7	60 0501 319 1	GREASE NIPPLE		1	
8	60 0501 596 9	SCREW		1	3)
9	60 0501 320 2	LOCK		1	
10	60 0501 402 9	VALVE		1	
11	60 0501 320 3	O-RING		1	
12	60 0501 319 9	BUSHING		1	
13	60 0501 319 8	BLANKING COVER		1	
14	60 0501 319 6	CENTRING PIN		2	
15	60 0501 321 4	NUT		1	4)
16	60 0501 319 3	STUD BOLT		1	4)
17	60 0501 319 5	SCREW		2	5)
18	60 0501 320 4	COVER		6	
19	60 0501 320 5	WASHER		12	
20	60 0501 320 6	SCREW		12	

1)	Homologationtype	+ 4062
2)	Remarks	3/8"x1/2"
3)	Remarks	1/2"x1/2"
4)	Remarks	3/8"-16UNC
5)	Remarks	3/8"x2-1/4"



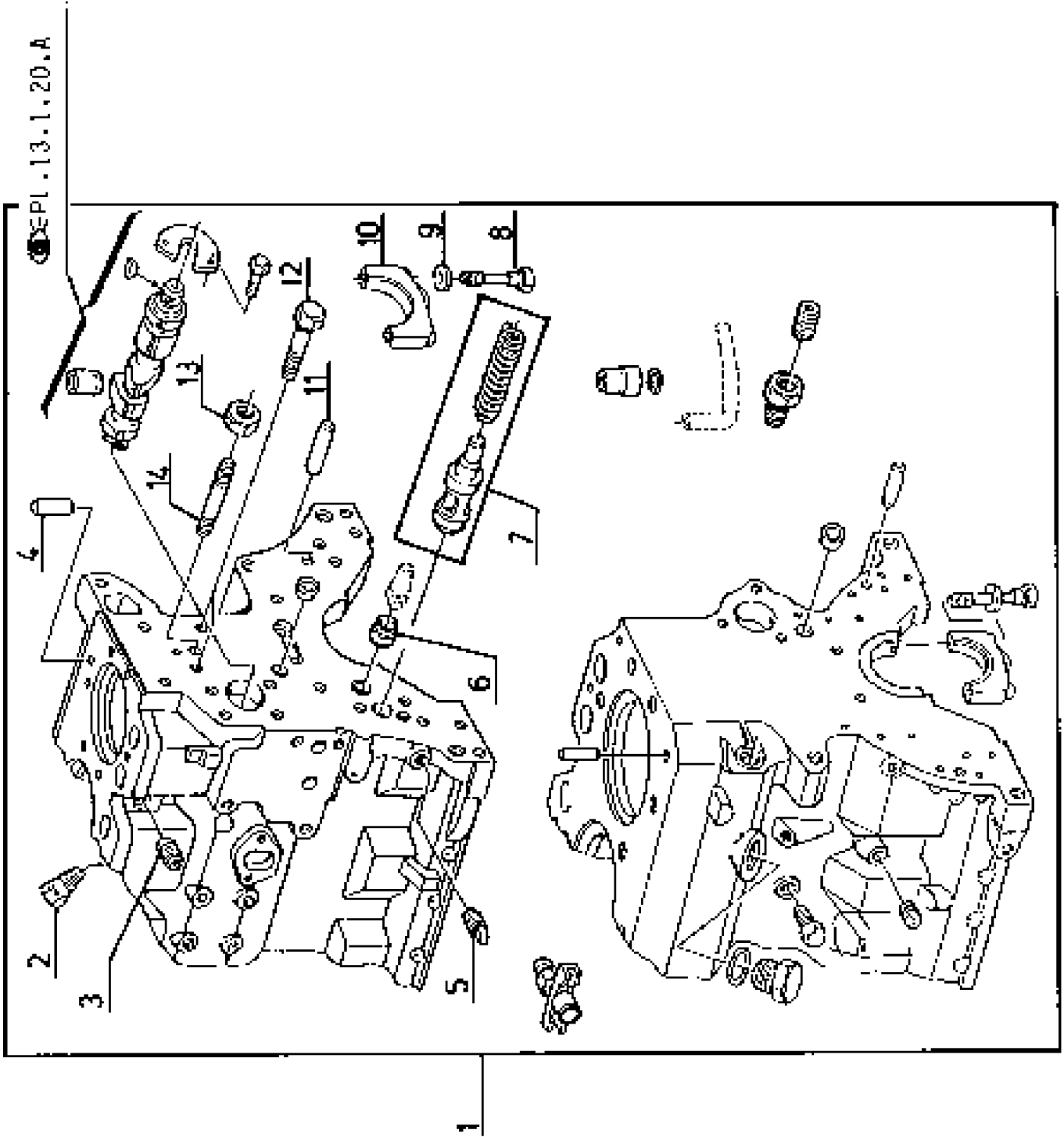
100 CRANKCASE 1)

Pos.	Part No.	Description	Dimension	Quantity	Conditions
1	60 0501 320 7	VALVE		1	2)
2	60 0501 320 8	LOCK		1	
3	60 0501 320 9	LOCK		2	
4	60 0502 339 4	O-RING		1	
5	60 0502 339 5	LOCK		1	
6	60 0502 144 0	LOCK		7	
7	60 0501 321 9	LOCK		1	
8	60 0501 321 2	COVER		1	
9	60 0501 320 6	SCREW		2	
10	60 0501 320 5	WASHER		2	
11	60 0501 317 4	CENTRING PIN		2	
12	60 0501 321 8	LOCK		1	
13	60 0501 321 7	GREASE NIPPLE		1	
1)	Homologationtype		+ 4062		
2)	Remarks		[SR]		



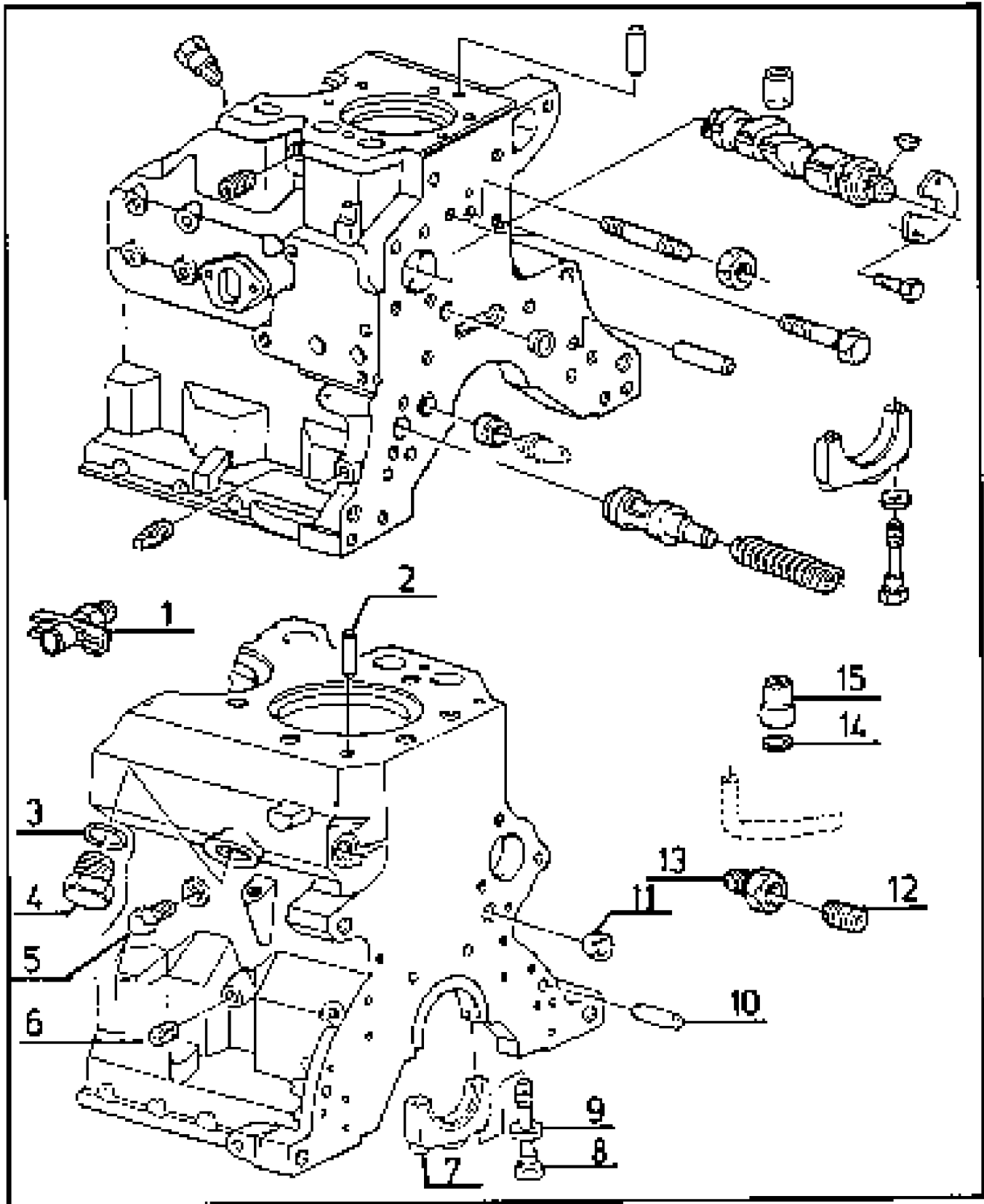
100 CRANKCASE 1)

Pos.	Part No.	Description	Dimension	Quantity	Conditions
1	60 0501 342 7	TRANSMITTER		1	
1)	Homologationtype				+ 4062



100 CRANKCASE 1)

Pos.	Part No.	Description	Dimension	Quantity	Conditions
1	FA-CONSIGN ES	Consignes - CS		1	
-		<i>Please order!</i> <i>60 0502 911 3 SHORT BLOCK</i>		1,000	
2	60 0501 318 9	SCREW		6	
3	60 0501 321 0	PLUG		1	
4	60 0501 317 4	CENTRING PIN		1	
5	60 0501 597 1	LOCK		1	
6	60 0501 319 9	BUSHING		1	
7	60 0501 402 9	VALVE		1	
8	60 0501 320 6	SCREW		12	
9	60 0501 320 5	WASHER		12	
10	60 0501 320 4	COVER		6	
11	60 0501 319 6	CENTRING PIN		2	
12	60 0501 319 5	SCREW		2	
13	60 0501 321 4	NUT		1	
14	60 0501 319 3	STUD BOLT		1	
1)	Homologationtype		+ 4072		

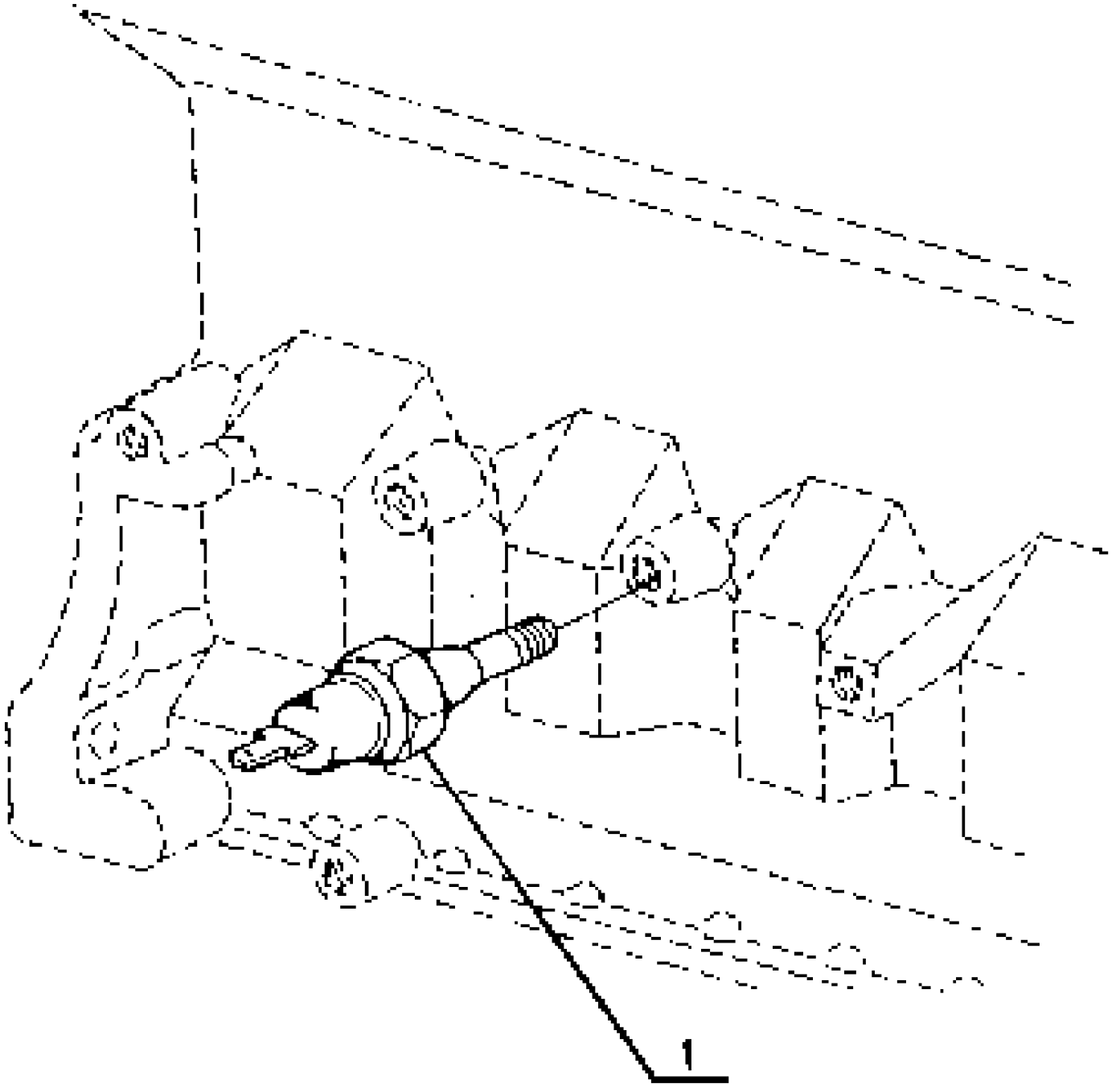


100 CRANKCASE 1)

Pos.	Part No.	Description	Dimension	Quantity	Conditions
1	60 0501 320 7	VALVE		1	2)
2	60 0501 317 4	CENTRING PIN		1	
3	60 0502 339 4	O-RING		1	
4	60 0502 339 5	LOCK		1	
5	60 0501 320 9	LOCK		1	
6	60 0502 144 0	LOCK		7	
7	60 0501 321 2	COVER		1	
8	60 0501 320 6	SCREW		2	
9	60 0501 320 5	WASHER		2	
10	60 0501 317 4	CENTRING PIN		2	
11	60 0501 319 8	BLANKING COVER		2	
12	60 0501 321 8	LOCK		1	
13	60 0501 321 7	GREASE NIPPLE		1	
14	60 0501 320 3	O-RING		1	
15	60 0501 597 2	BUSHING		1	

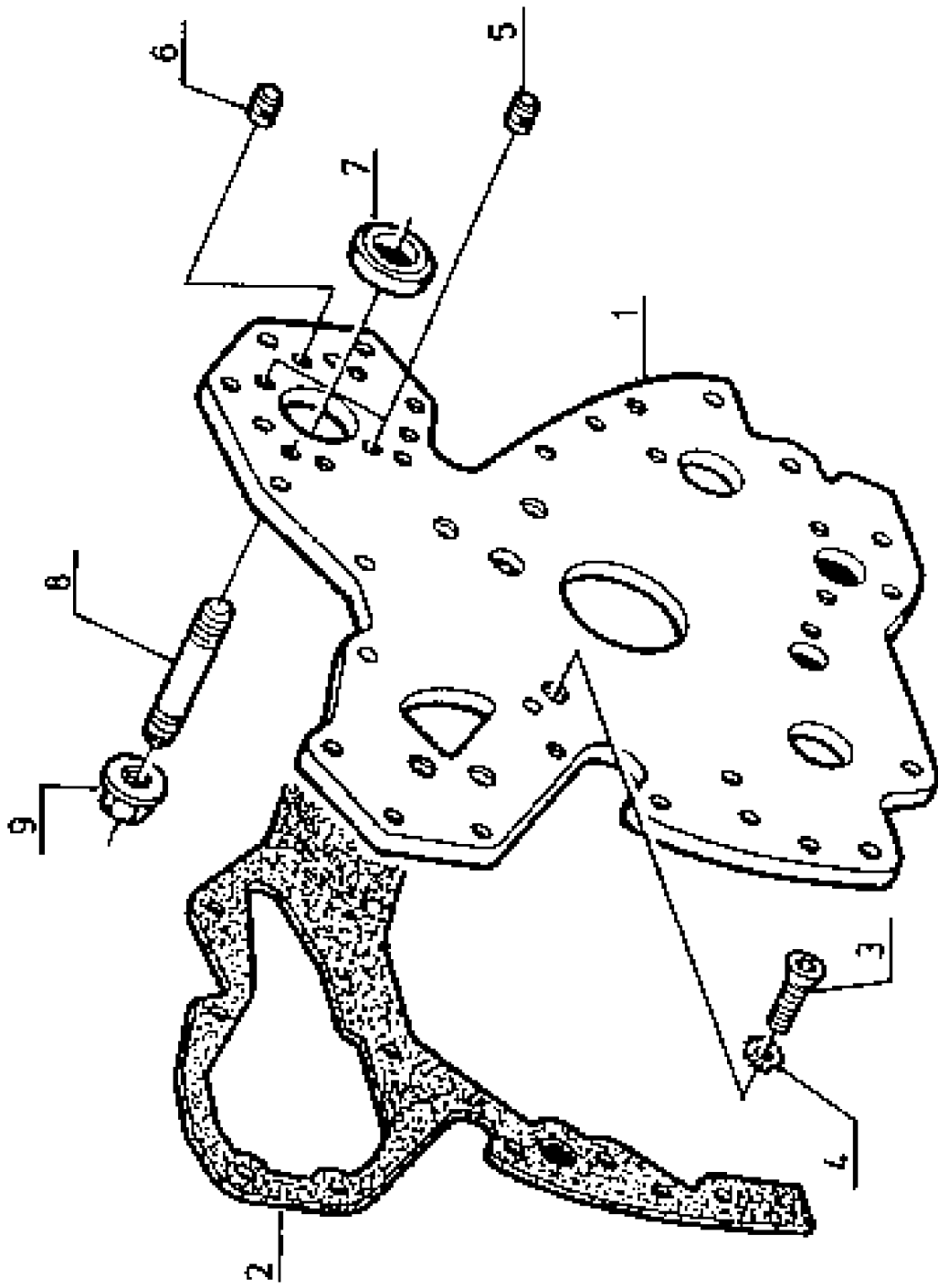
1) Homologationtype + 4072

2) Remarks [SR]



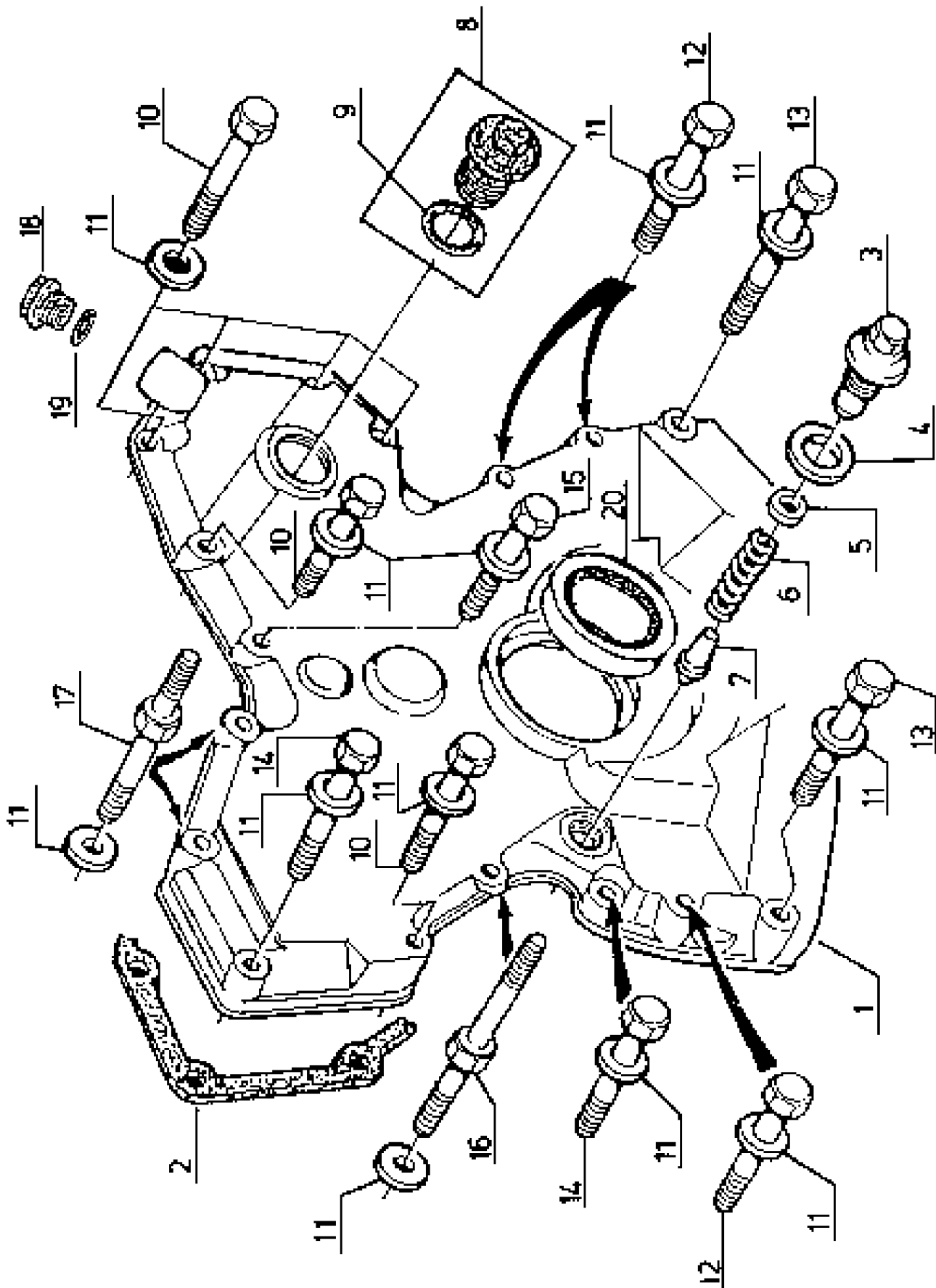
100 CRANKCASE 1)

Pos.	Part No.	Description	Dimension	Quantity	Conditions
1	60 0501 342 7	TRANSMITTER		1	
1)	Homologationtype		+ 4072		



120 TIMING CASE

Pos.	Part No.	Description	Dimension	Quantity	Conditions
1	60 0501 597 3	PLATE		1	
2	60 0501 276 4	GASKET		1	
3	60 0501 276 5	SCREW		5	
4	60 0501 276 6	WASHER		5	
5	60 0501 597 4	LOCK		2	
6	60 0501 597 5	LOCK		8	
7	60 0501 597 6	RING		1	1)
8	60 0501 276 7	STUD		3	
9	60 0501 276 8	NUT		3	
1)	Remarks				[SR]

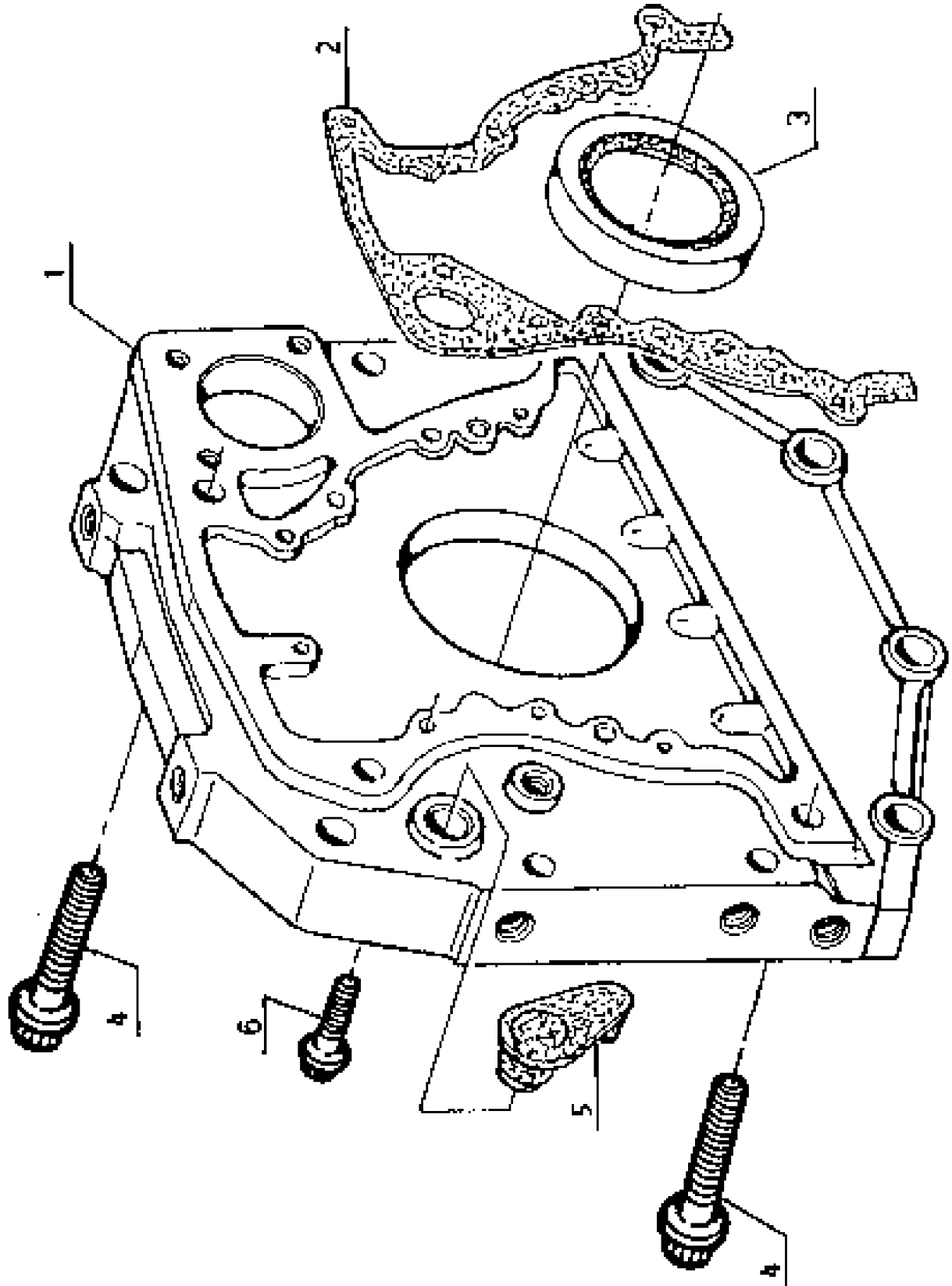


120 TIMING CASE

Pos.	Part No.	Description	Dimension	Quantity	Conditions
1	60 0501 597 7	HOUSING		1	
2	60 0501 597 8	GASKET		1	
3	60 0501 277 1	SCREW		1	
4	60 0501 277 2	WASHER		1	
5	60 0501 277 3	ADJUSTING DISC		1	1)
6	60 0501 277 4	SPRING		1	
7	60 0501 277 5	VALVE		1	
8	60 0501 277 6	LOCK		1	
9	60 0501 277 7	O-RING		1	
10	60 0501 277 8	SCREW		6	
11	60 0501 336 9	WASHER		17	
12	60 0501 278 0	SCREW		3	
13	60 0501 277 9	SCREW		2	
14	60 0501 278 1	SCREW		2	
15	60 0501 319 5	SCREW		1	
16	60 0502 233 3	STUD BOLT		1	
17	60 0502 233 4	STUD BOLT		2	
18	60 0502 895 5	SCREW PLUG	F-M20X1,5	1	
19	77 0002 464 6	O-RING	17X2-N ERS.D. 0238209.0	1	
20	60 0501 278 3	SHAFT SEAL		1	

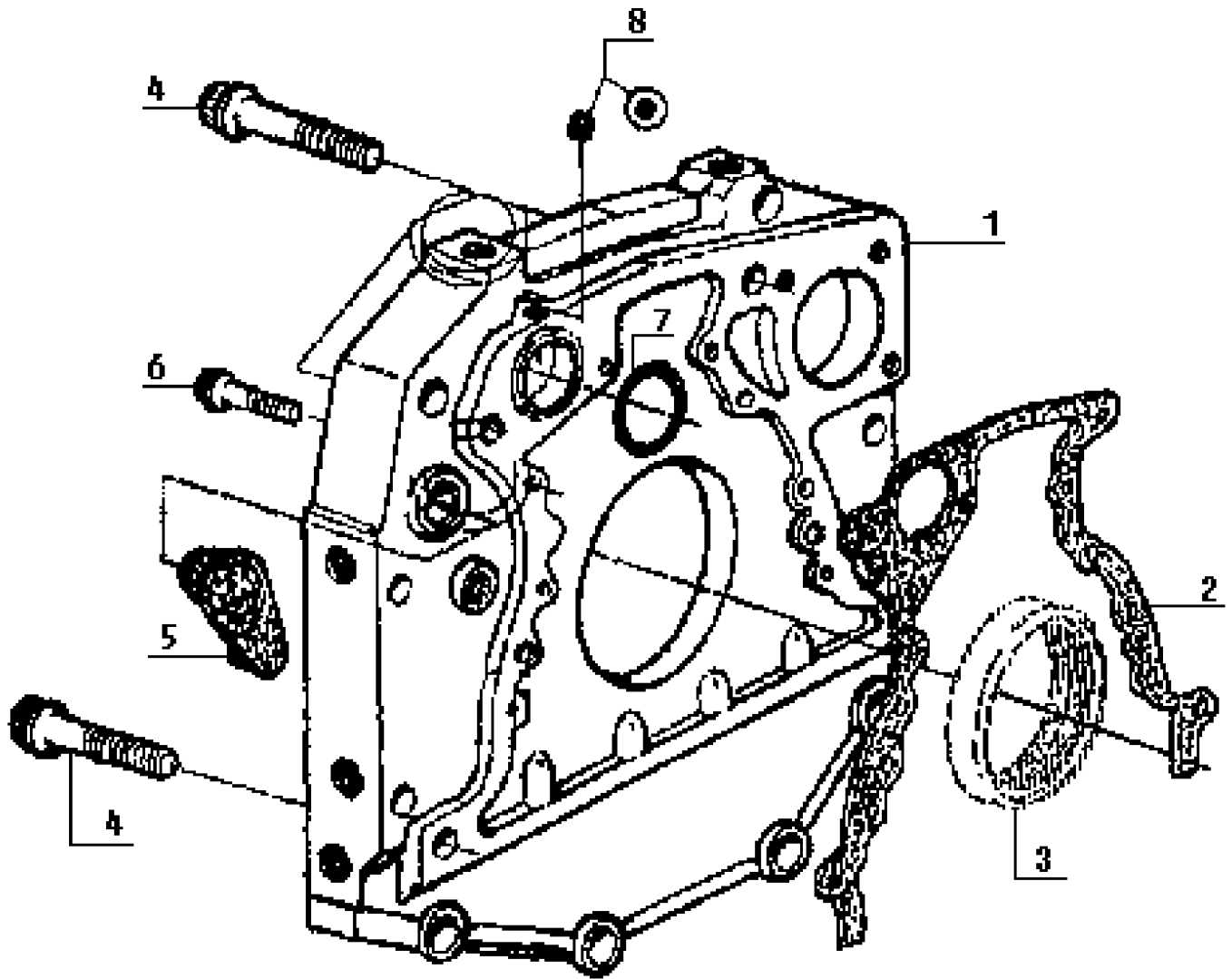
1) Remarks

[SR]



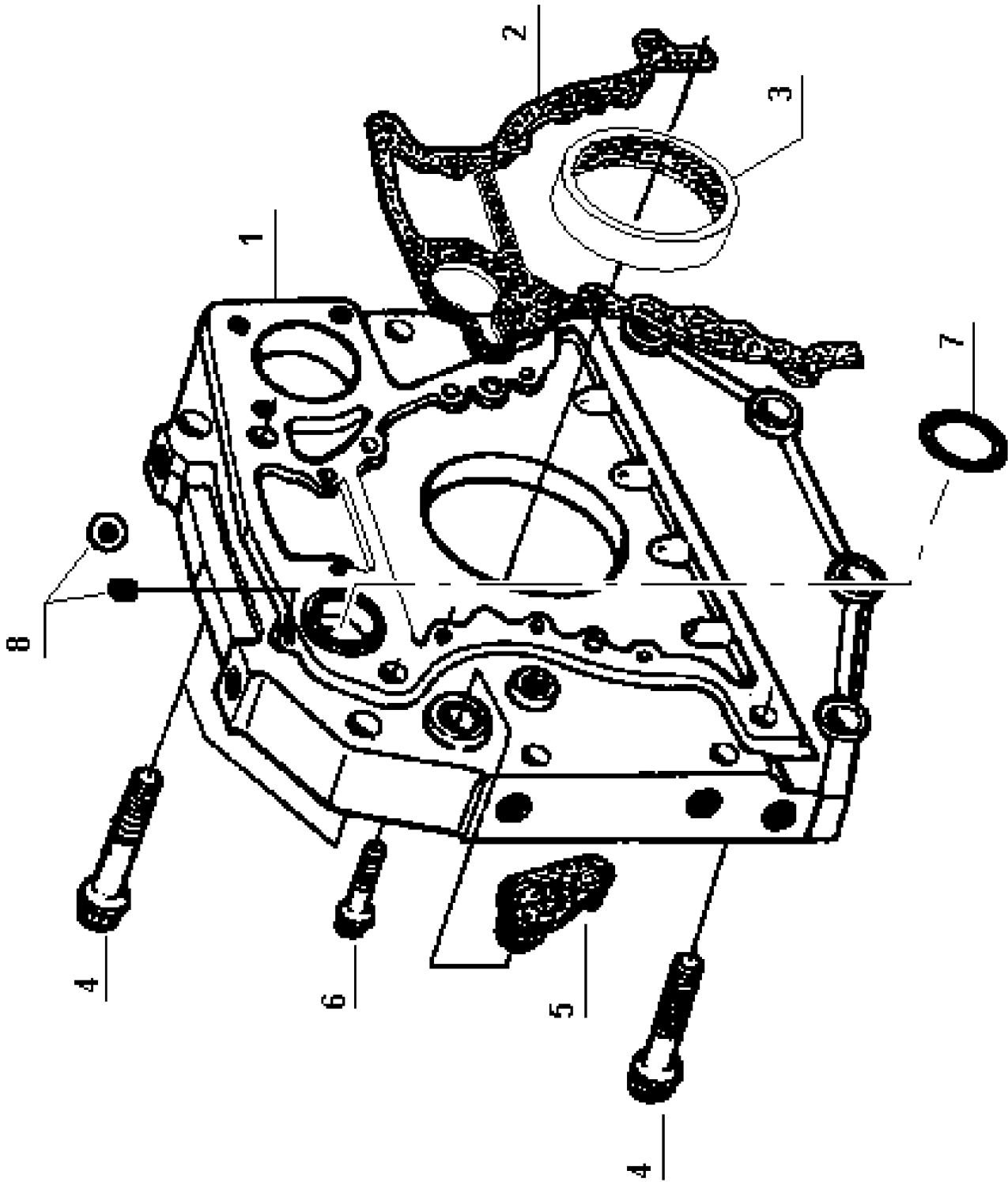
140 FLYWHEEL HOUSING 1)

Pos.	Part No.	Description	Dimension	Quantity	Conditions
1	FA-CONSIGN ES	Consignes - CS		1	
-		<i>Please order!</i>			
	60 0501 604 9	O-RING		1,000	
	60 0502 146 4	LOCK		1,000	
	77 0005 577 0	HOUSING		1,000	
	77 0005 577 1	GASKET		1,000	
2	60 0501 278 5	GASKET		1	
3	60 0501 279 0	SHAFT SEAL	118X146X15	1	
4	60 0501 480 7	SCREW		4	
5	60 0501 611 6	BLANKING COVER		1	
6	60 0501 480 8	SCREW		8	
1)	machine no.	4062			up to CT62R0958
	machine no.	4072			up to CT72R0542



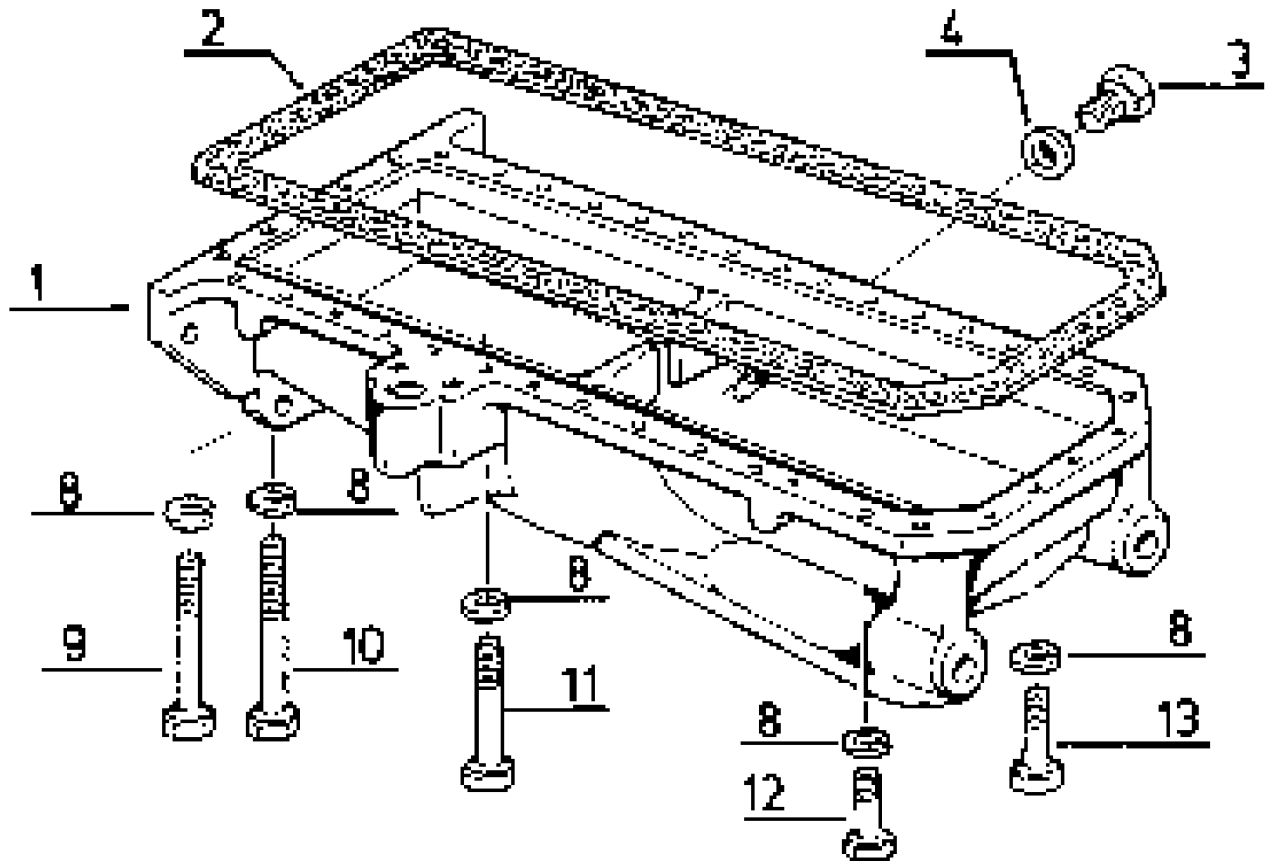
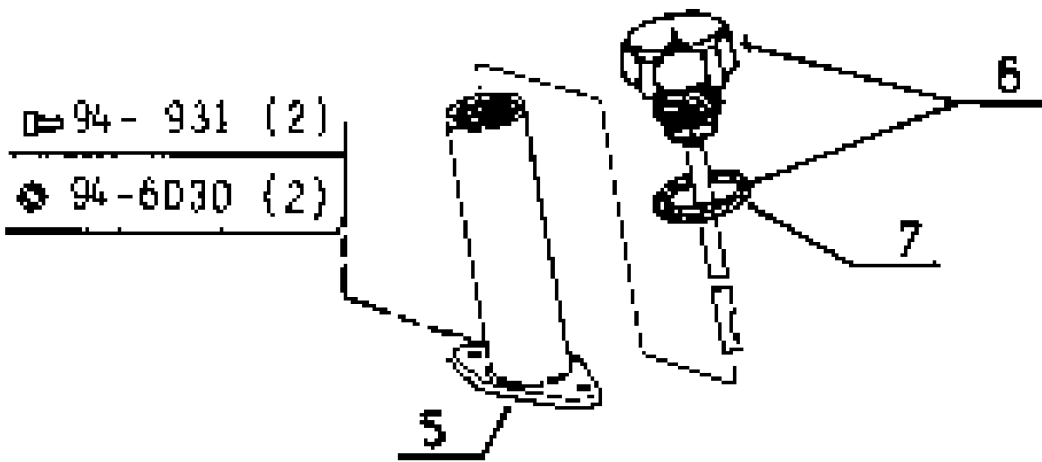
140 FLYWHEEL HOUSING 1)

Pos.	Part No.	Description	Dimension	Quantity	Conditions
1	FA-CONSIGN ES	Consignes - CS		1	
-		<i>Please order!</i>			
	60 0501 604 9	O-RING		1,000	
	77 0005 577 0	HOUSING		1,000	
	77 0005 577 1	GASKET		1,000	
2	FA-CONSIGN ES	Consignes - CS		1	
-		<i>Please order!</i>			
	77 0005 577 1	GASKET		1,000	
3	60 0501 279 0	SHAFT SEAL	118X146X15	1	
4	60 0501 480 7	SCREW		4	
5	60 0501 611 6	BLANKING COVER		1	
6	60 0501 480 8	SCREW		8	
7	77 0005 079 6	O-RING		1	
8	60 0502 146 4	LOCK		1	
1)	machine no.	4062			from CT62R0959 up to CT62R1480
	machine no.	4072			from CT72R0543 up to CT72R0902



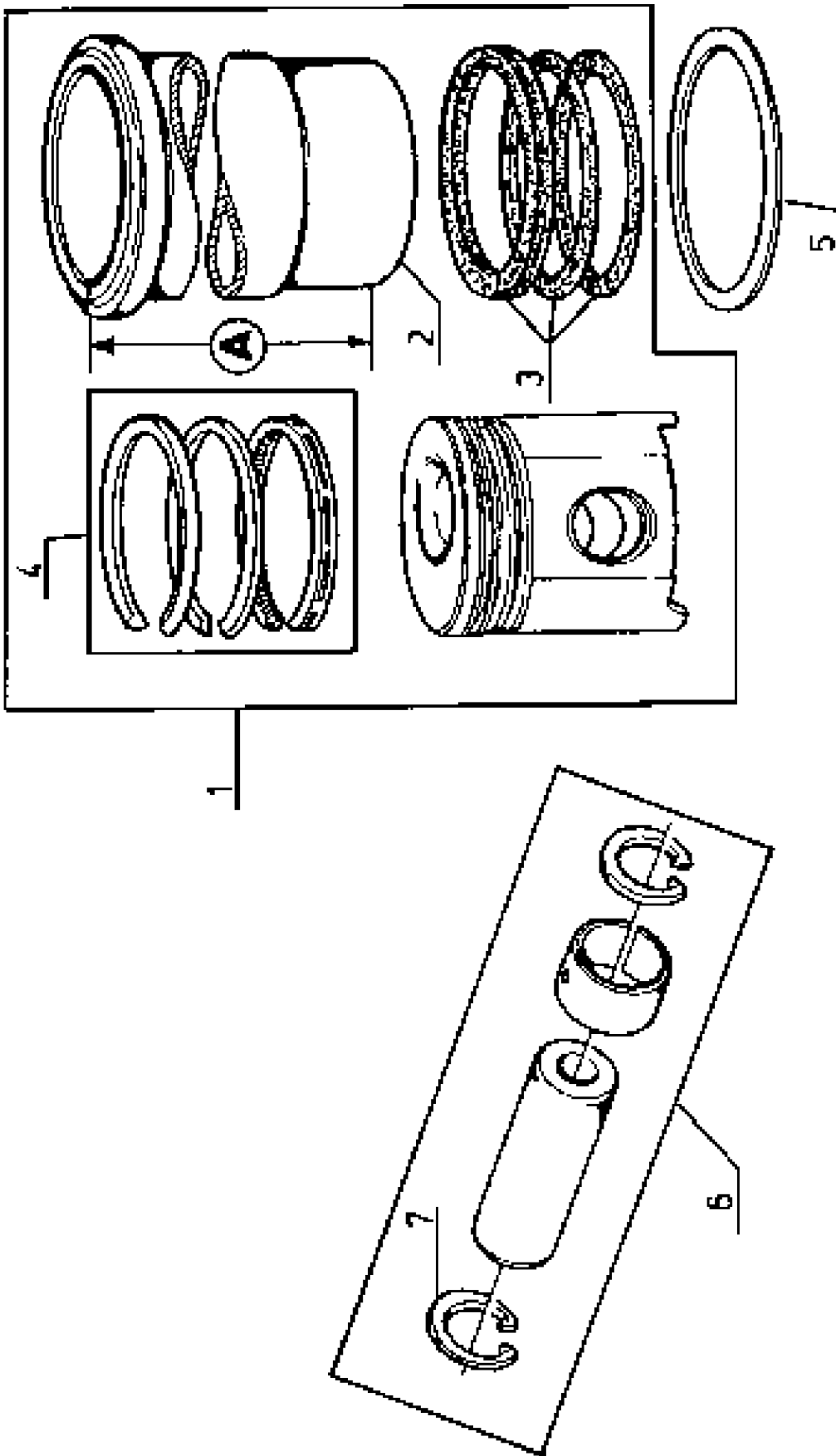
140 FLYWHEEL HOUSING 1)

Pos.	Part No.	Description	Dimension	Quantity	Conditions
1	77 0005 577 0	HOUSING		1	
2	77 0005 577 1	GASKET		1	
3	60 0501 279 0	SHAFT SEAL	118X146X15	1	
4	60 0501 480 7	SCREW		4	
5	60 0501 611 6	BLANKING COVER		1	
6	60 0501 480 8	SCREW		8	
7	60 0501 604 9	O-RING		1	
8	60 0502 146 4	LOCK		1	
1)	machine no.	4062			from CT62R1481
	machine no.	4072			from CT72R0903



160 OIL PAN

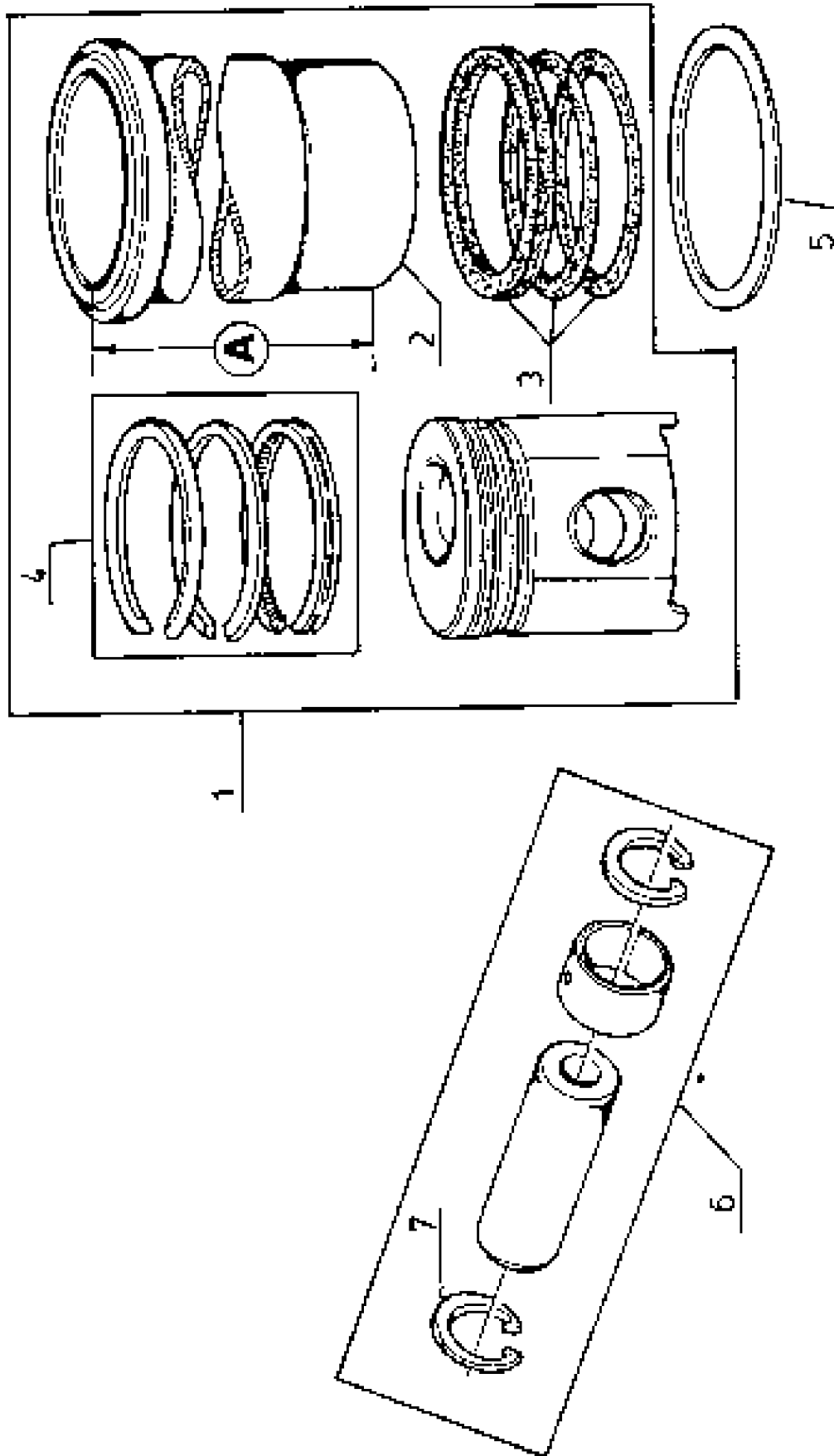
Pos.	Part No.	Description	Dimension	Quantity	Conditions
1	60 0501 598 5	HOUSING		1	
2	60 0501 598 6	GASKET		1	
3	60 0501 279 3	LOCK		1	
4	60 0501 211 0	GASKET		1	
5	60 0501 279 4	TUBE		1	
6	60 0501 279 5	GAUGE		1	
7	60 0501 279 6	SEALING RING		1	
8	60 0501 280 0	WASHER		36	
9	60 0501 598 7	SCREW		2	
10	60 0501 598 8	SCREW		2	
11	60 0501 598 9	SCREW		2	
12	60 0501 297 8	SCREW		24	
13	60 0502 604 3	SCREW		6	



100 CYLINDER LINER, PISTON 1)

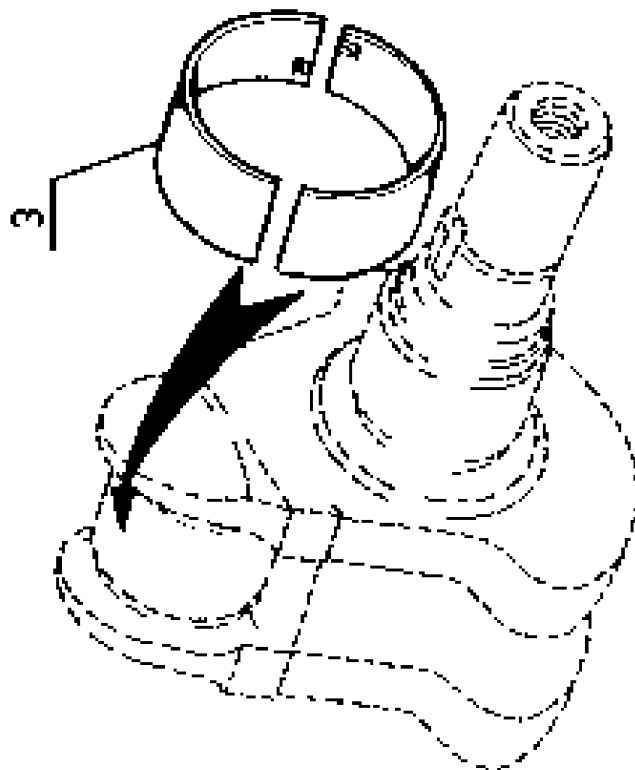
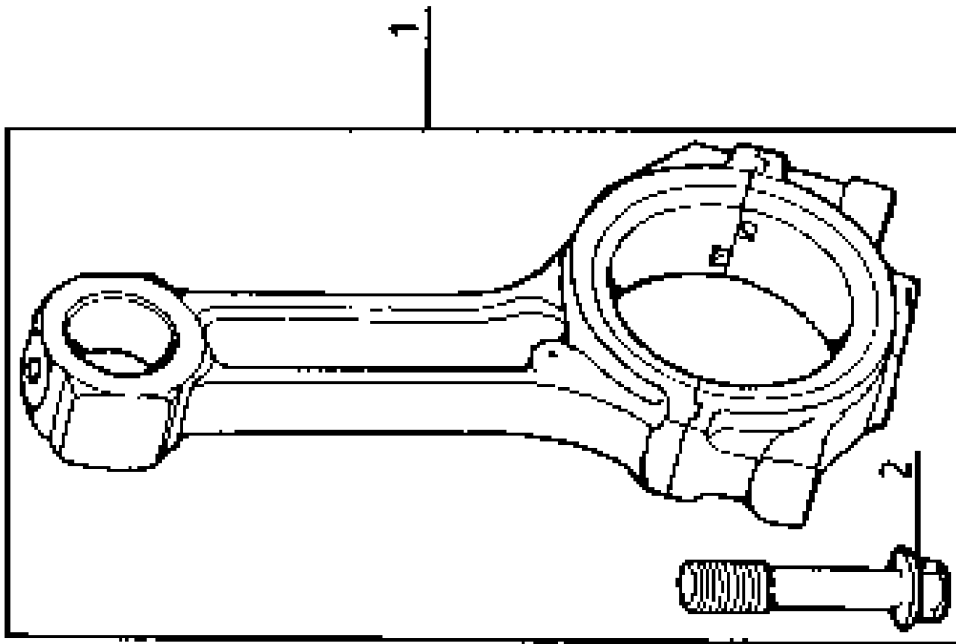
Pos.	Part No.	Description	Dimension	Quantity	Conditions
1	60 0501 280 4	PISTON-LINER		6	
2	60 0501 280 7	PISTON-LINER		6	2)
3	60 0501 280 9	SEALING RING SET		6	
4	60 0501 281 0	SET OF PISTON RINGS		6	
5	60 0501 281 5	ADJUSTING DISC		6	3)
5	60 0501 281 6	ADJUSTING DISC		6	4)
6	60 0501 590 9	AXLE		6	5)
7	60 0501 281 3	INT RETAINING RING		12	

1)	Homologationtype	+ 4062
2)	Remarks	A 196 MM
3)	Remarks	ép. 0,05mm
4)	Remarks	ép. 0,10mm
5)	Remarks	De. 35mm



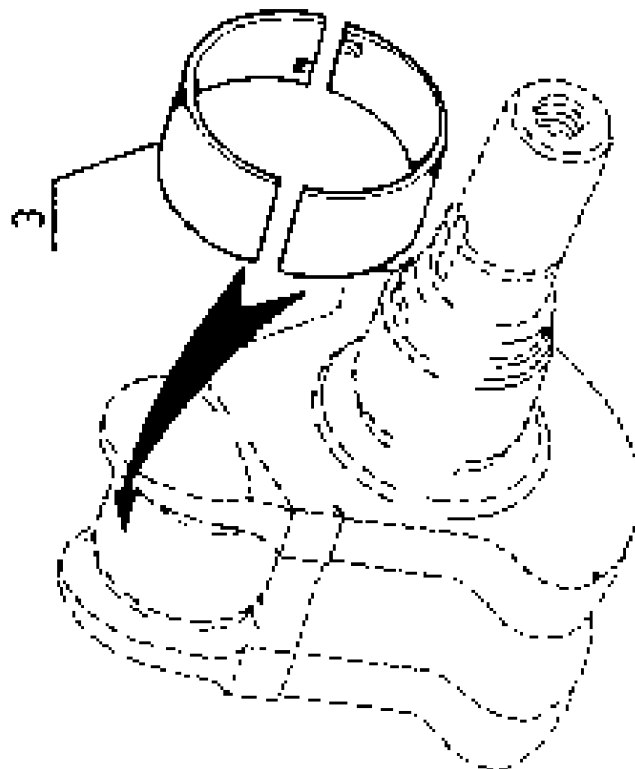
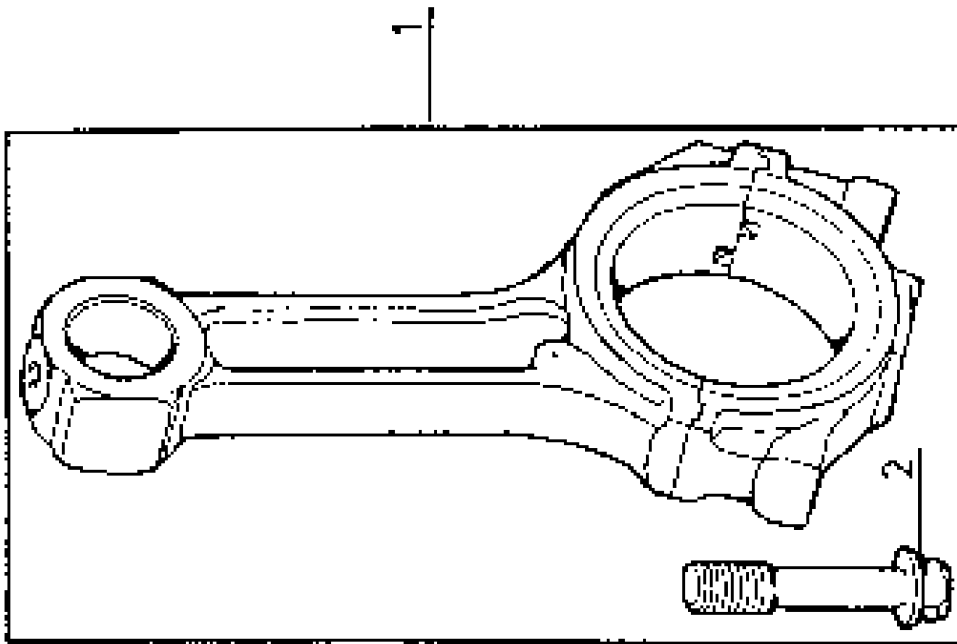
100 CYLINDER LINER, PISTON 1)

Pos.	Part No.	Description	Dimension	Quantity	Conditions
1	60 0501 280 5	PISTON-LINER		6	
2	FA-CONSIGN ES	Consignes - CS		6	2)
-		<i>Please order!</i> <i>60 0501 280 5 PISTON-LINER</i>		1,000	
3	60 0501 280 9	SEALING RING SET		6	
4	60 0501 281 0	SET OF PISTON RINGS		6	
5	60 0501 281 5	ADJUSTING DISC		6	3)
5	60 0501 281 6	ADJUSTING DISC		6	4)
6	60 0501 591 0	AXLE		6	5)
7	60 0501 281 4	INNER CIRCLIP		12	
1)	Homologationtype		+ 4072		
2)	Remarks		A 218 mm		
3)	Remarks		ép. 0,05mm		
4)	Remarks		ép. 0,10mm		
5)	Remarks		De. 41mm		



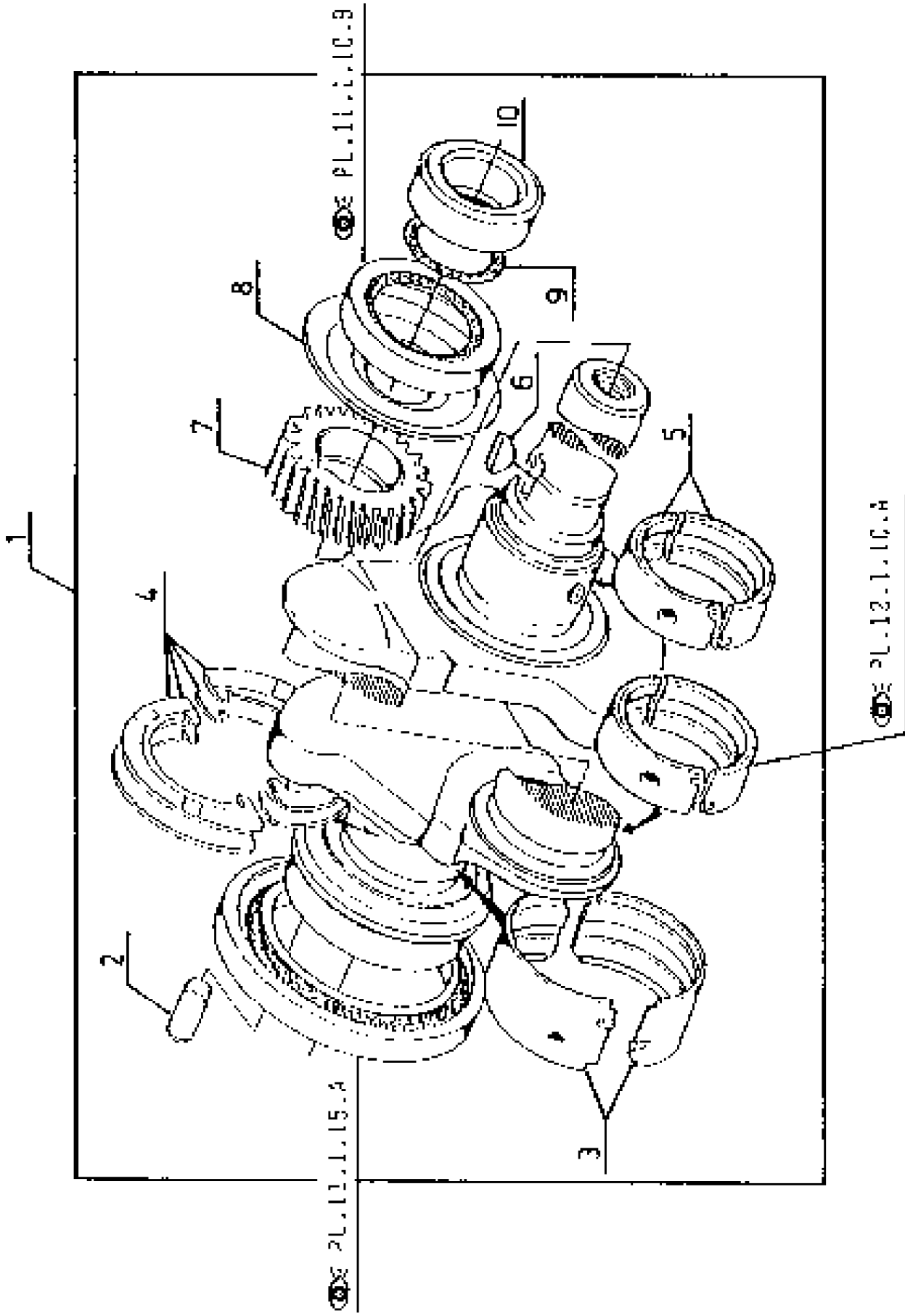
120 CONNECTING ROD, CONNECTING ROD BEARINGS 1)

Pos.	Part No.	Description	Dimension	Quantity	Conditions
1	60 0501 281 7	ROD (ENGINE)		6	
2	60 0501 282 2	SCREW		12	
3	60 0501 282 7	BEARING		6	
3	60 0501 282 8	BEARING		6	2)
1)	Homologationtype		+ 4062		
2)	Remarks		-0,254 mm		



120 CONNECTING ROD, CONNECTING ROD BEARINGS 1)

Pos.	Part No.	Description	Dimension	Quantity	Conditions
1	60 0501 281 8	ROD (ENGINE)		6	
2	60 0501 282 9	SCREW		12	
3	60 0501 282 5	BEARING		6	
3	60 0501 282 6	BEARING		6	2)
1)	Homologationtype		+ 4072		
2)	Remarks		-0,254mm		





Suggest:

For more complete manuals. Please go to the home page.

<https://www.ebooklibonline.com>

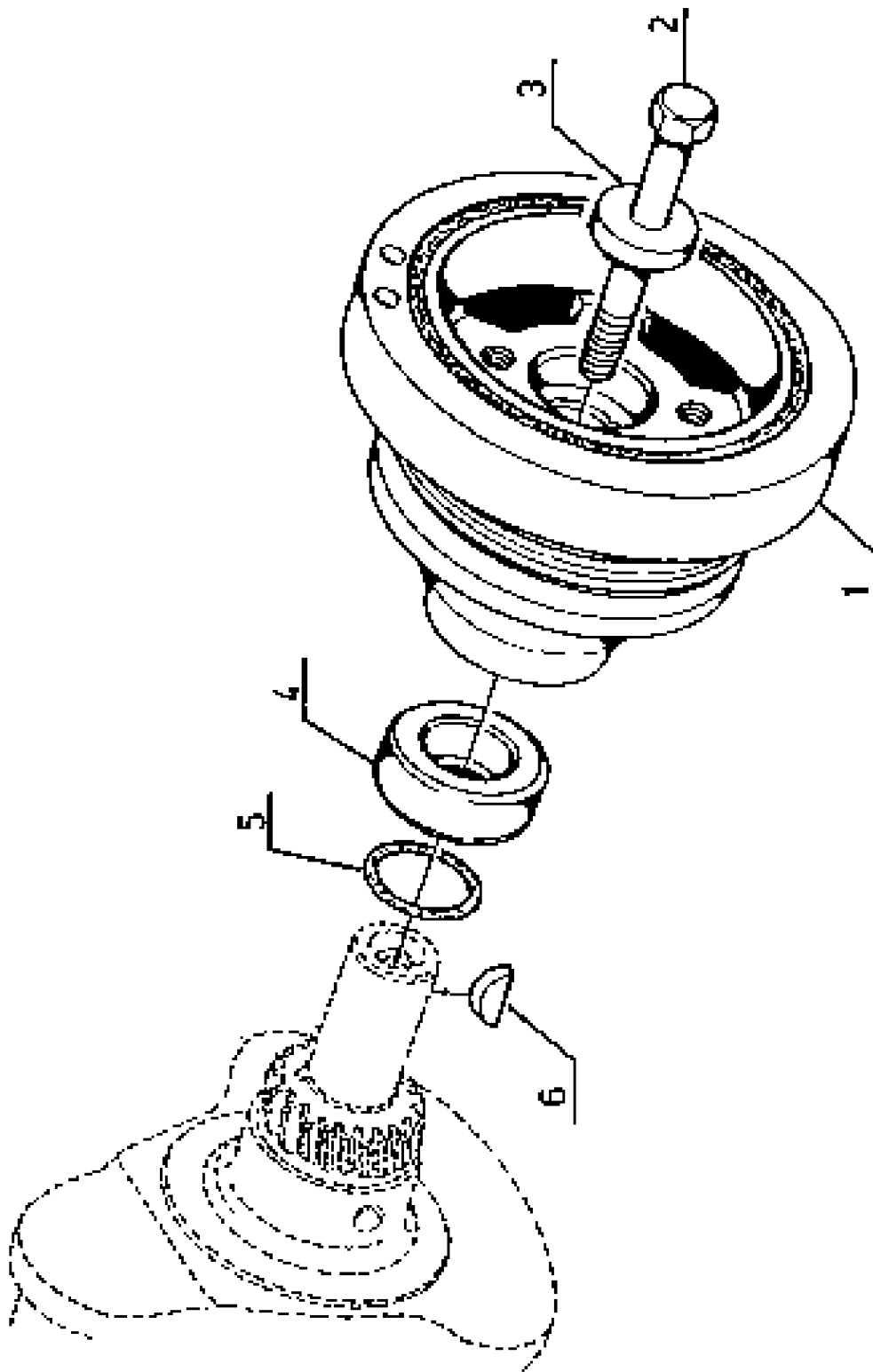
If the above button click is invalid. Please download this document first, and then click the above link to download the complete manual.

Thank you so much for reading

140 CRANKSHAFT

Pos.	Part No.	Description	Dimension	Quantity	Conditions
1	60 0501 599 0	CRANKSHAFT		1	1)
1	60 0502 761 9	CRANKSHAFT		1	2)
2	60 0501 317 4	CENTRING PIN		1	
3	60 0501 317 5	BEARING		1	
3	60 0501 317 6	BEARING		1	3)
4	60 0501 317 7	FLANGE		1	
4	60 0501 317 8	FLANGE		1	4)
5	60 0501 317 9	BEARING		6	
5	60 0501 318 0	BEARING		1	5)
6	60 0501 294 0	KEY		1	
7	60 0501 599 2	WHEEL		1	6)
8	60 0501 318 1	DEFLECTOR		1	
9	60 0501 318 3	O-RING		1	
10	60 0501 318 4	SLEEVE		1	

1)	Homologationtype	+ 4062
2)	Homologationtype	+ 4072
3)	Remarks	- 0,254mm
4)	Remarks	ép. +0,18
5)	Remarks	-0,254mm
6)	Remarks	24 Dts



161 CRANKSHAFT PULLEY WHEEL 1)

Pos.	Part No.	Description	Dimension	Quantity	Conditions
1	77 0004 335 7	ANTI-VIBRATION WHEEL		1	
2	60 0501 608 2	SCREW		1	
3	77 0004 256 4	SPACER		1	
4	60 0501 318 4	SLEEVE		1	
5	60 0501 318 3	O-RING		1	
6	60 0501 340 5	KEY		1	
<hr/>					
1)	Equipment				
		OK0060	W/OUT FR LIFTING AND PTO		
		OK0062	FR LIFT 2.5T TE		

<https://www.ebooklibonline.com>

Hello dear friend!

Thank you very much for reading.

Enter the link into your browser.

The full manual is available for immediate download.

<https://www.ebooklibonline.com>