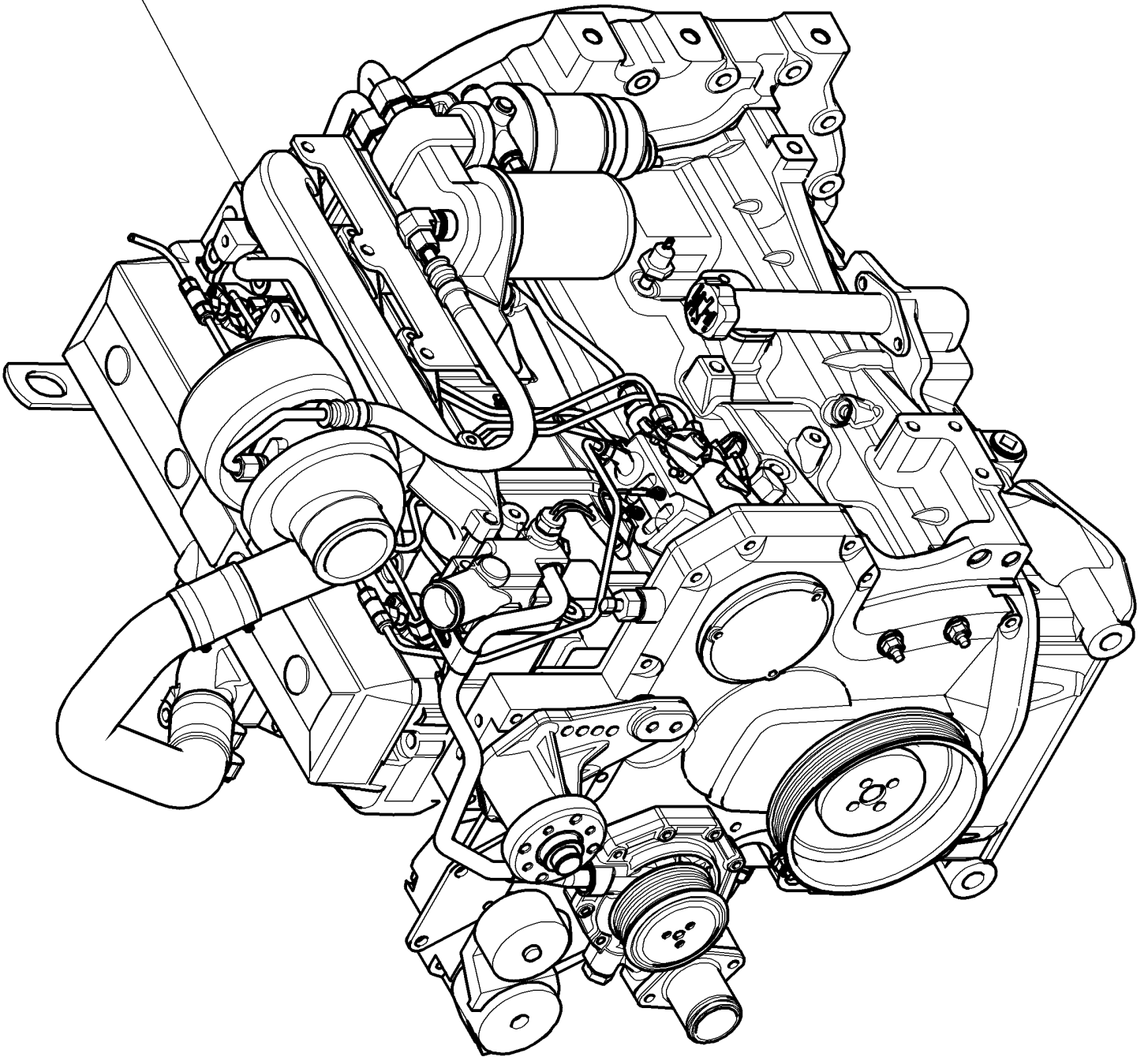
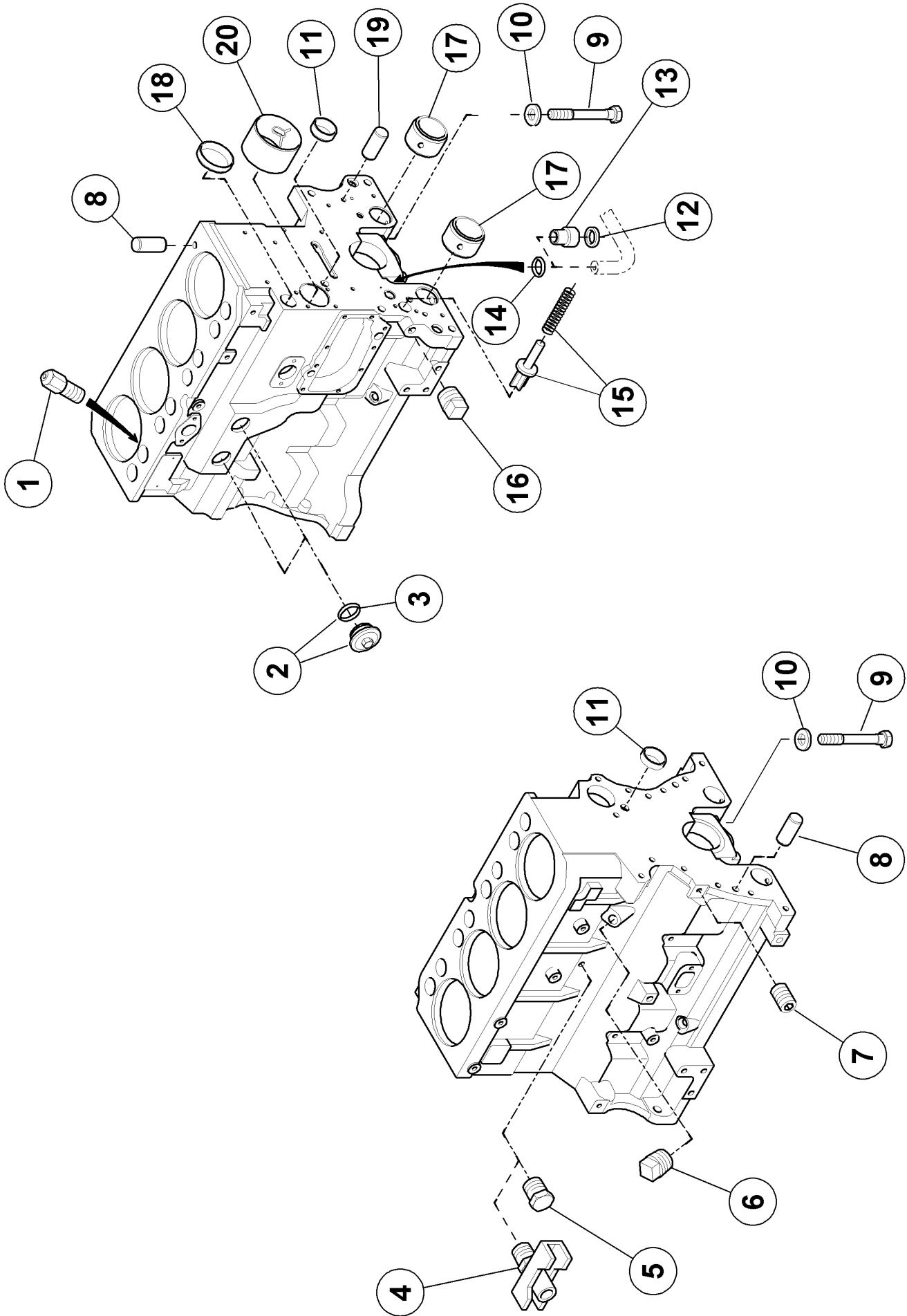


1



010 COMPLETE ENGINE

Pos.	Part No.	Description	Dimension	Quantity	Conditions
1	77 0006 888 0	ENGINE		1	1)
1	77 0006 888 2	ENGINE		1	2)
1	77 0006 888 3	ENGINE		1	3)
1	77 0006 888 4	ENGINE		1	4)
1)	Homologationtype		+ 5342		
2)	Homologationtype		+ 5352		
3)	Homologationtype		+ 5362		
4)	Homologationtype		+ 5372		



<https://www.ebooklibonline.com>

Hello dear friend!

Thank you very much for reading.

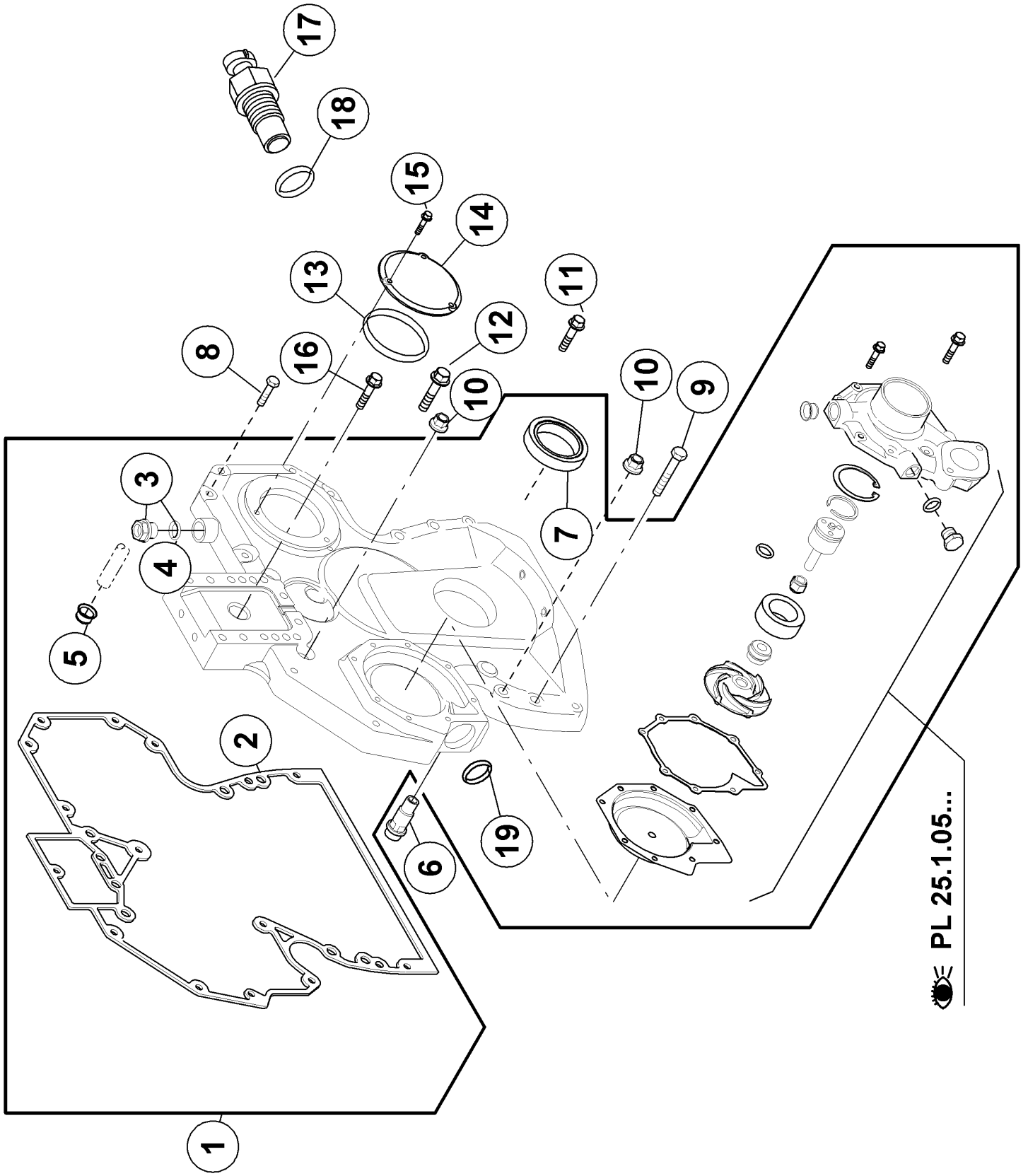
Enter the link into your browser.

The full manual is available for immediate download.

<https://www.ebooklibonline.com>

100 CRANKCASE

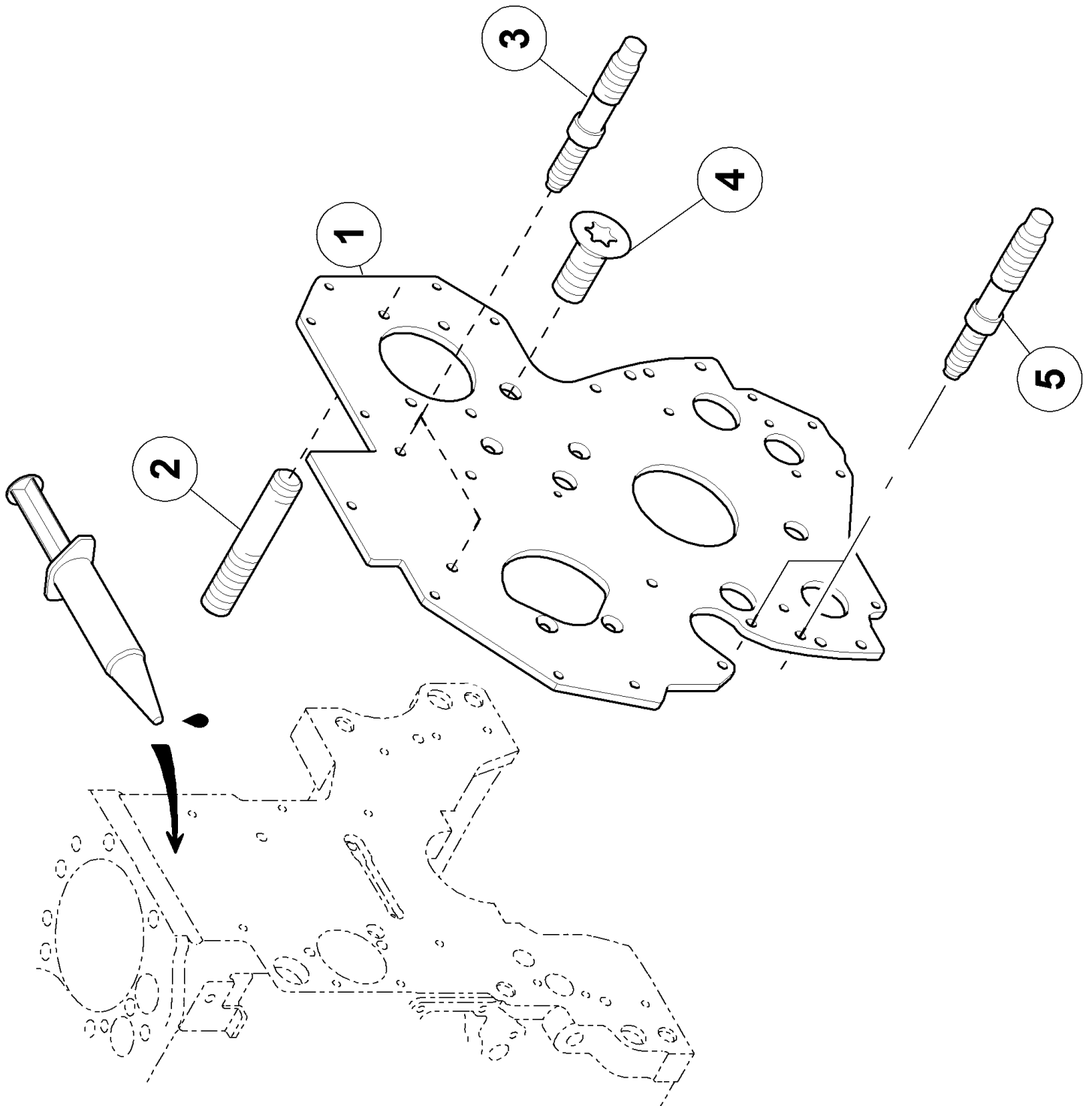
Pos.	Part No.	Description	Dimension	Quantity	Conditions
1	60 0502 143 6	SPRAY NOZZLE		4	
2	60 0502 905 2	PLUG		2	
3	60 0502 339 4	O-RING		2	
4	60 0501 320 7	VALVE		1	
5	60 0502 665 3	PLUG		1	
6	60 0501 321 0	PLUG		1	
7	60 0502 144 0	LOCK		1	
8	60 0501 317 4	CENTRING PIN		4	
9	60 0501 320 6	SCREW		10	
10	60 0502 143 7	WASHER	13X22X2,5	10	
11	60 0501 319 8	BLANKING COVER		2	
12	60 0501 334 1	O-RING		1	
13	60 0501 597 2	BUSHING		1	
14	60 0501 320 3	O-RING		1	
15	60 0501 402 9	VALVE		1	
16	60 0501 320 2	LOCK		1	
17	60 0502 593 1	RING		6	
18	60 0502 143 9	BLANKING COVER		1	
19	60 0501 319 6	CENTRING PIN		2	
20	60 0501 294 1	BEARING		1	



PL 25.1.05...

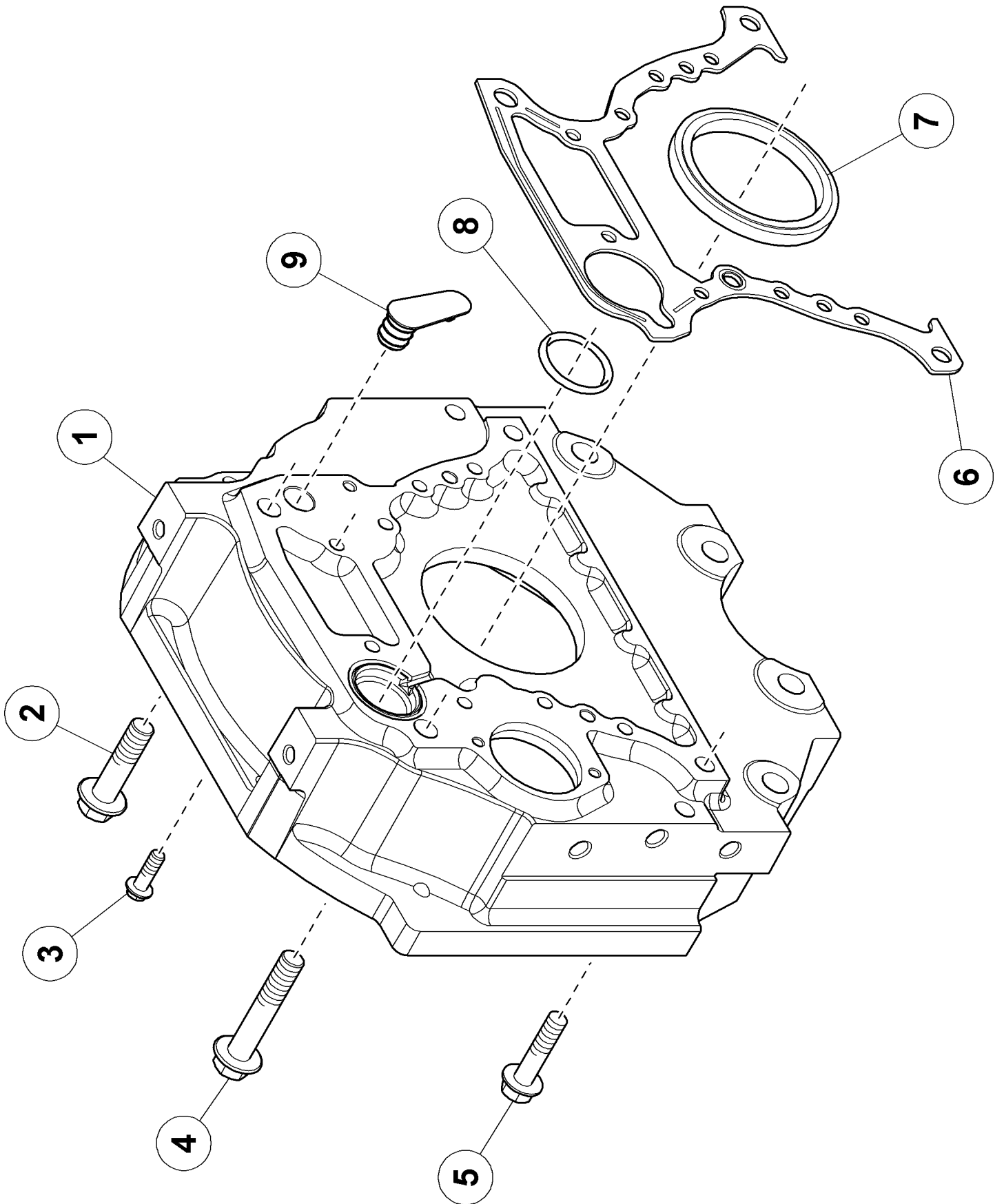
120 TIMING CASE

Pos.	Part No.	Description	Dimension	Quantity	Conditions
1	60 0502 869 0	HOUSING		1	
2	60 0502 144 3	GASKET		1	
3	60 0502 895 5	SCREW PLUG	F-M20X1,5	1	
4	77 0002 464 6	O-RING	17X2-N ERS.D. 0238209.0	1	
5	60 0502 163 0	SEALING RING		1	
6	60 0502 869 1	VALVE		1	
7	60 0503 024 7	SEALING RING		1	
8	60 0502 144 5	SCREW	M8X45	6	
9	60 0502 145 8	SCREW		2	
10	60 0502 144 9	NUT		6	
11	60 0502 145 0	SCREW	M08X60	1	
12	60 0502 339 6	SCREW		1	
13	60 0502 144 6	O-RING		1	
14	60 0502 144 7	COVER		1	
15	60 0502 144 8	SCREW	M6X16	3	
16	60 0502 144 4	SCREW	M8X35	1	
17	77 0007 199 7	SENSOR		1	1)
18	77 0002 464 6	O-RING	17X2-N ERS.D. 0238209.0	1	
1)	Remarks	vitesse mot.			



120 TIMING CASE

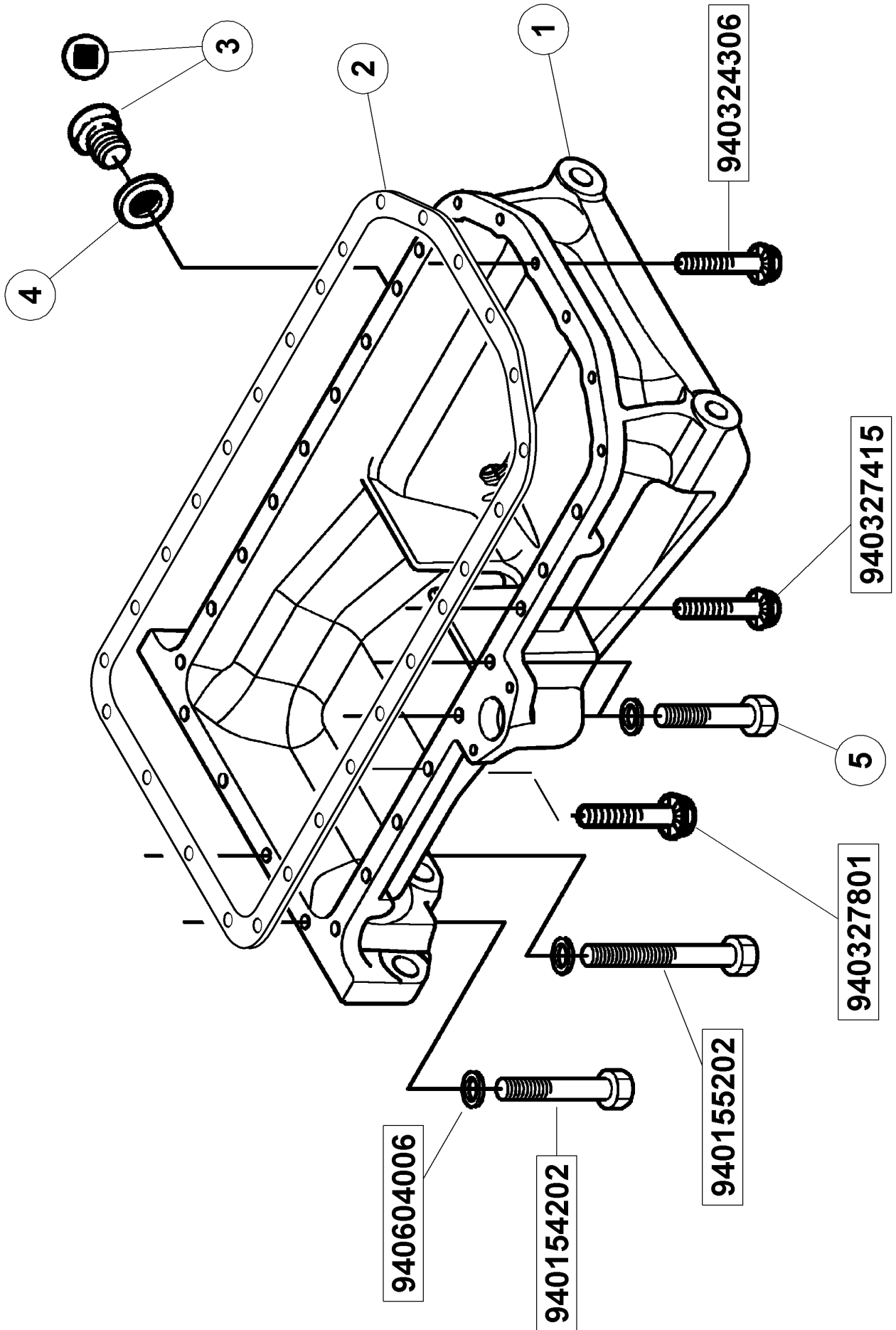
Pos.	Part No.	Description	Dimension	Quantity	Conditions
1	60 0502 145 2	PLATE		1	
2	60 0502 145 5	STUD BOLT		3	
3	60 0502 339 8	STUD BOLT		2	
4	60 0502 339 7	SCREW		4	
5	60 0502 145 7	STUD BOLT		4	



140 FLYWHEEL HOUSING

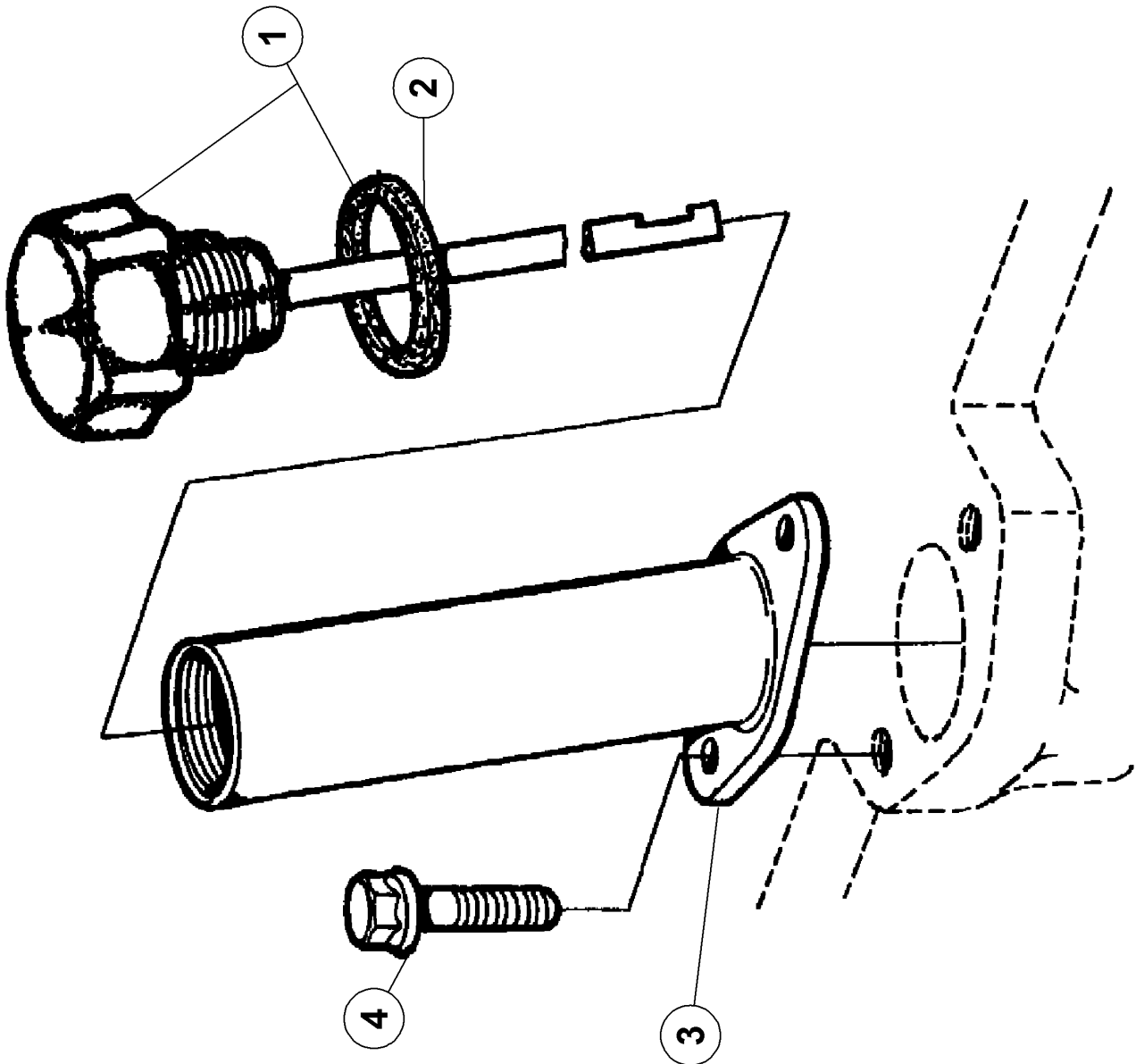
Pos.	Part No.	Description	Dimension	Quantity	Conditions
1	77 0006 967 3	CASING		1	
2	60 0502 146 5	SCREW		1	1)
3	60 0502 625 8	SCREW	12 X 1,75 -37 - M12X40	8	2)
4	60 0502 146 6	SCREW		1	3)
5	60 0502 146 8	SCREW		2	
6	77 0005 577 1	GASKET		1	
7	60 0501 279 0	SHAFT SEAL	118X146X15	1	4)
8	60 0501 604 9	O-RING		1	
9	60 0502 146 2	BLANKING COVER		1	

1)	Remarks	M20X250-80
2)	Remarks	M12X175-38
3)	Remarks	M20X250-110
4)	Remarks	118X146X15



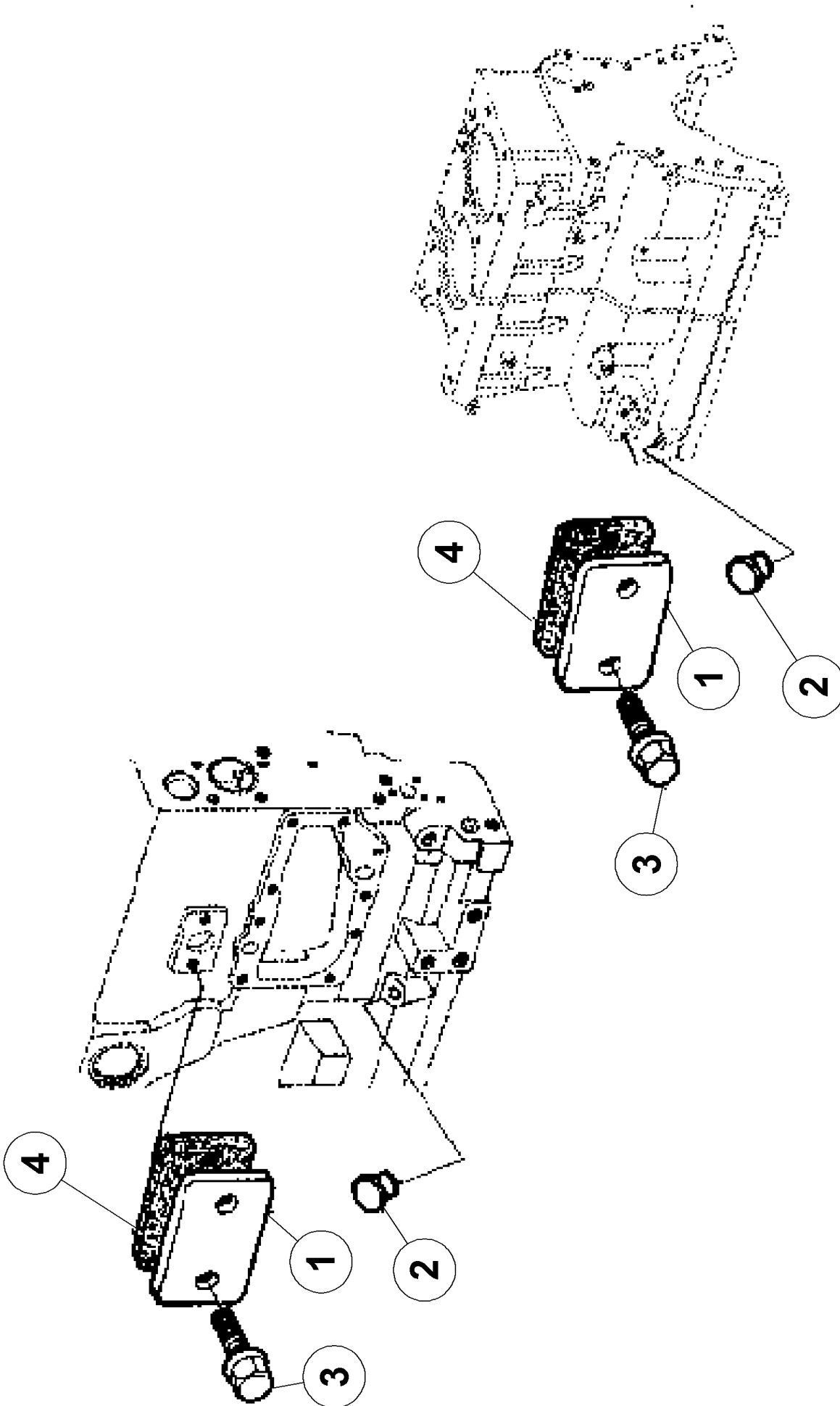
160 OIL PAN

Pos.	Part No.	Description	Dimension	Quantity	Conditions
1	60 0502 665 7	OIL SUMP		1	
2	60 0502 625 1	GASKET		1	
3	60 0501 279 3	LOCK		1	
4	60 0501 211 0	GASKET		1	
5	60 0502 147 1	SCREW		2	
94015 4202	77 0310 108 5	HEXAGON HEAD BOLT	M10X140-32	2	
94015 5202	77 0102 451 6	SCREW		2	
94032 4306	77 0101 759 2	SCREW	M08X35 VERBUS RIPP	6	
94032 7415	77 0001 434 0	SCREW	M10X35 - VERBUS RIPP	15	
94032 7801	77 0001 693 5	SCREW	M10X40-V.RIPP ERS.D.1007	1	
94060 4006	77 0305 501 3	WASHER	10	6	



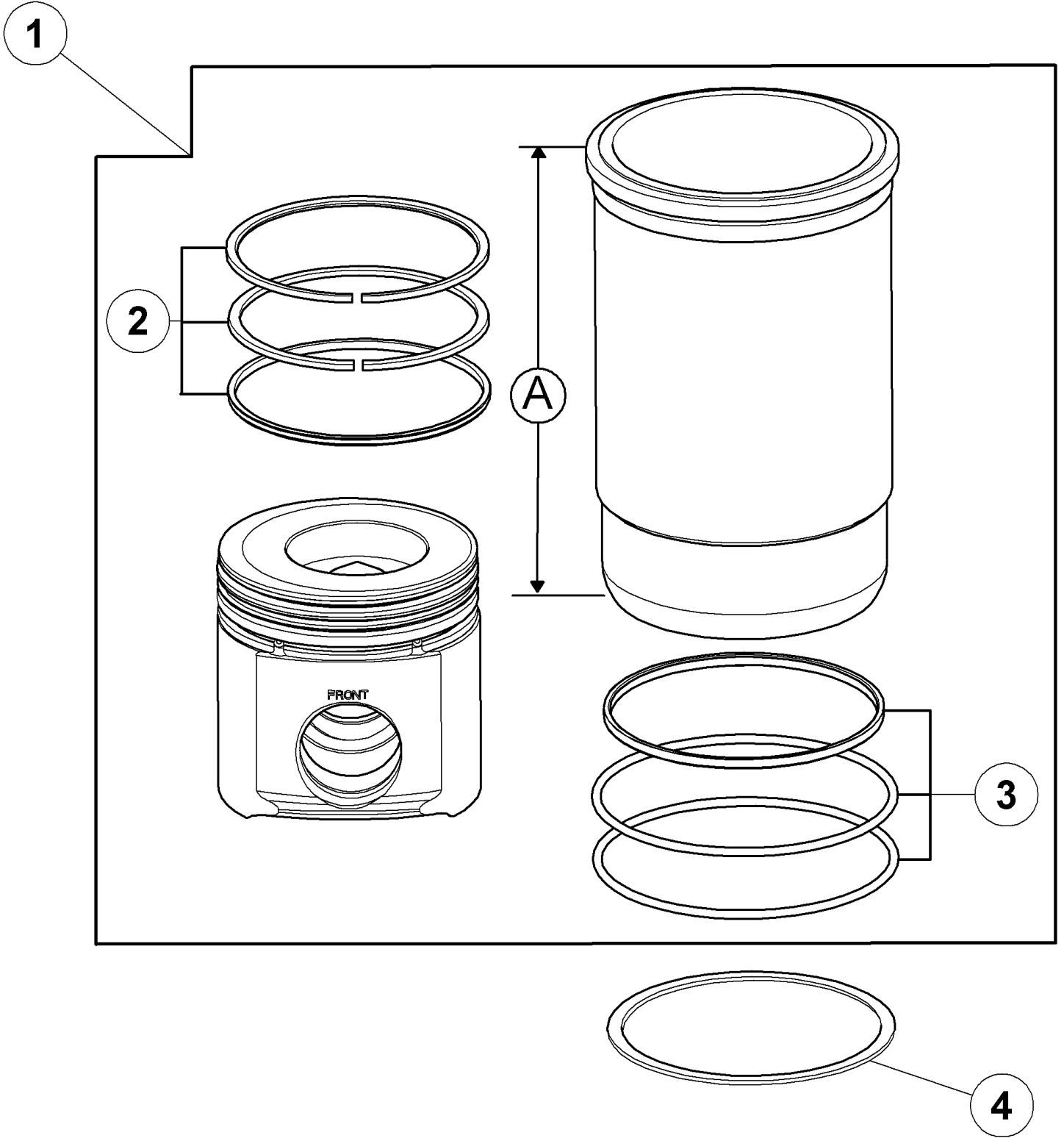
160 OIL PAN

Pos.	Part No.	Description	Dimension	Quantity	Conditions
1	60 0501 361 0	GAUGE		1	
2	60 0501 334 6	O-RING		1	
3	60 0502 942 0	TUBE		1	
4	60 0502 145 6	SCREW	M8X25	2	



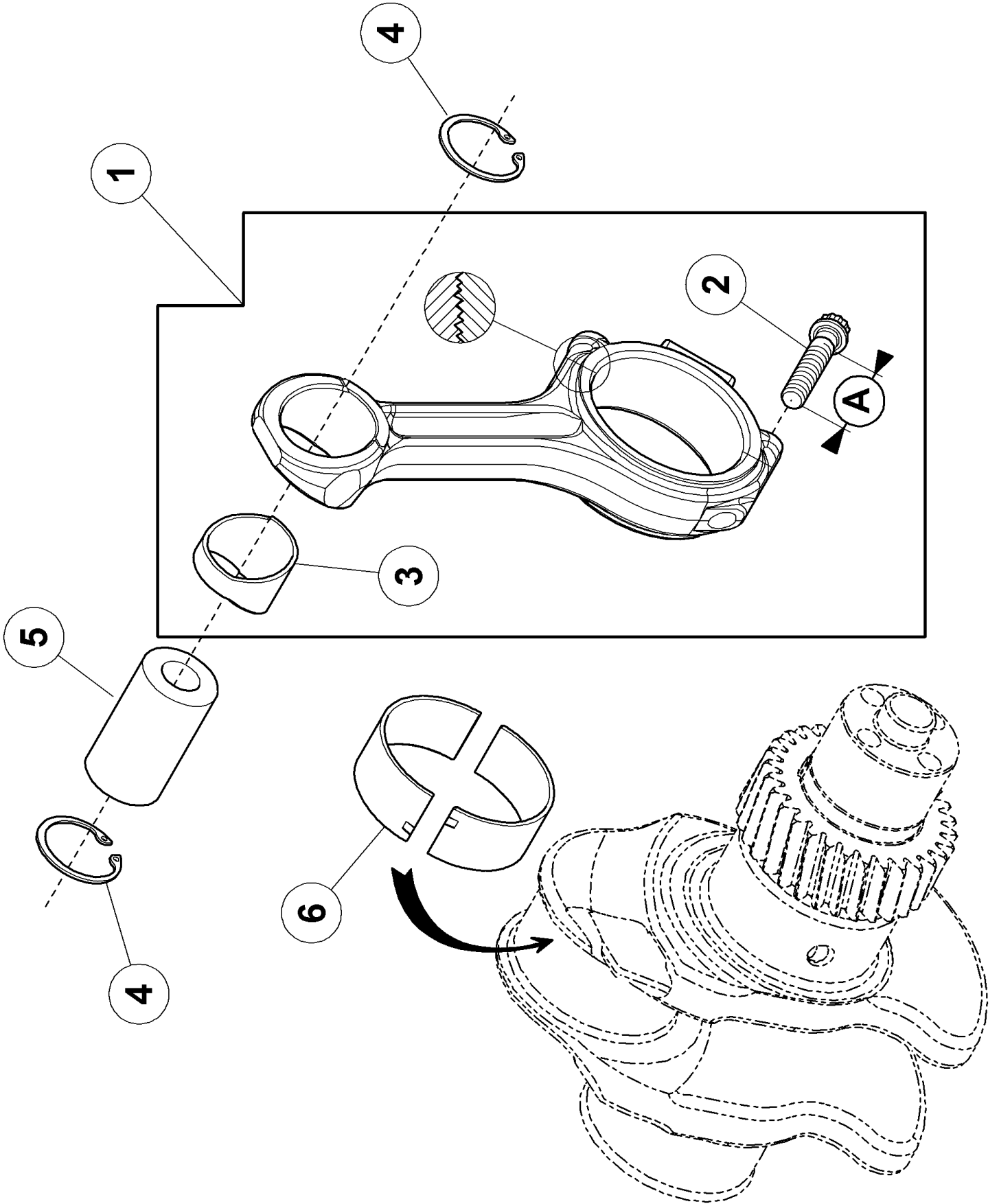
180 PLUGS

Pos.	Part No.	Description	Dimension	Quantity	Conditions
1	60 0502 470 2	PLATE		2	
2	60 0502 662 4	PLUG		2	
3	60 0502 149 8	SCREW	M8X20	4	
4	60 0502 470 4	GASKET		2	



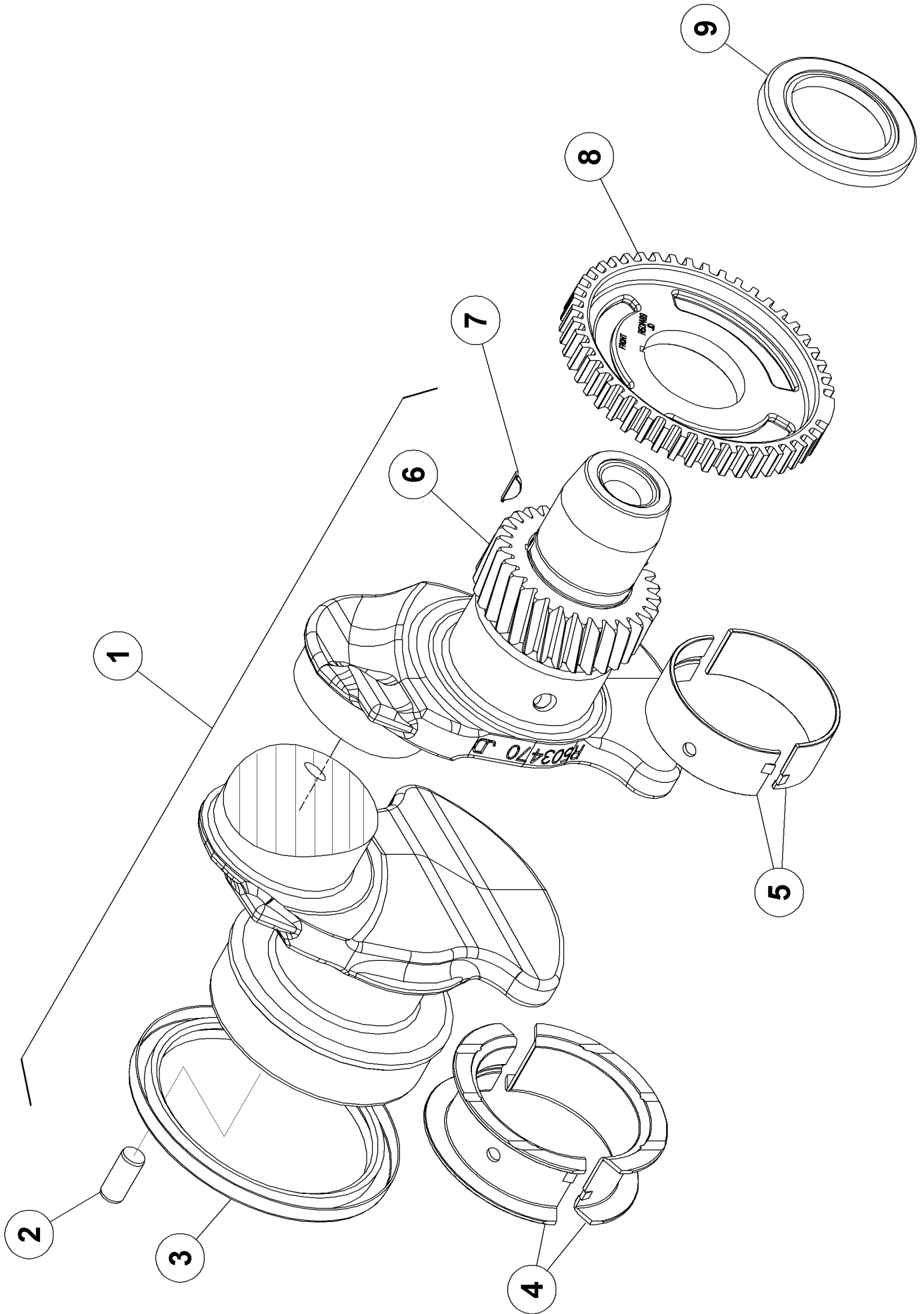
100 CYLINDER LINER, PISTON

Pos.	Part No.	Description	Dimension	Quantity	Conditions
1	60 0502 869 4	PISTON-LINER		4	1)
2	60 0502 869 5	SET OF PISTON RINGS		4	
3	60 0501 280 9	SEALING RING SET		4	
4	60 0501 281 5	ADJUSTING DISC		4	2)
4	60 0501 281 6	ADJUSTING DISC		4	3)
1)	Remarks		A=218mm		
2)	Remarks		ép.0.05		
3)	Remarks		ép.0.10		



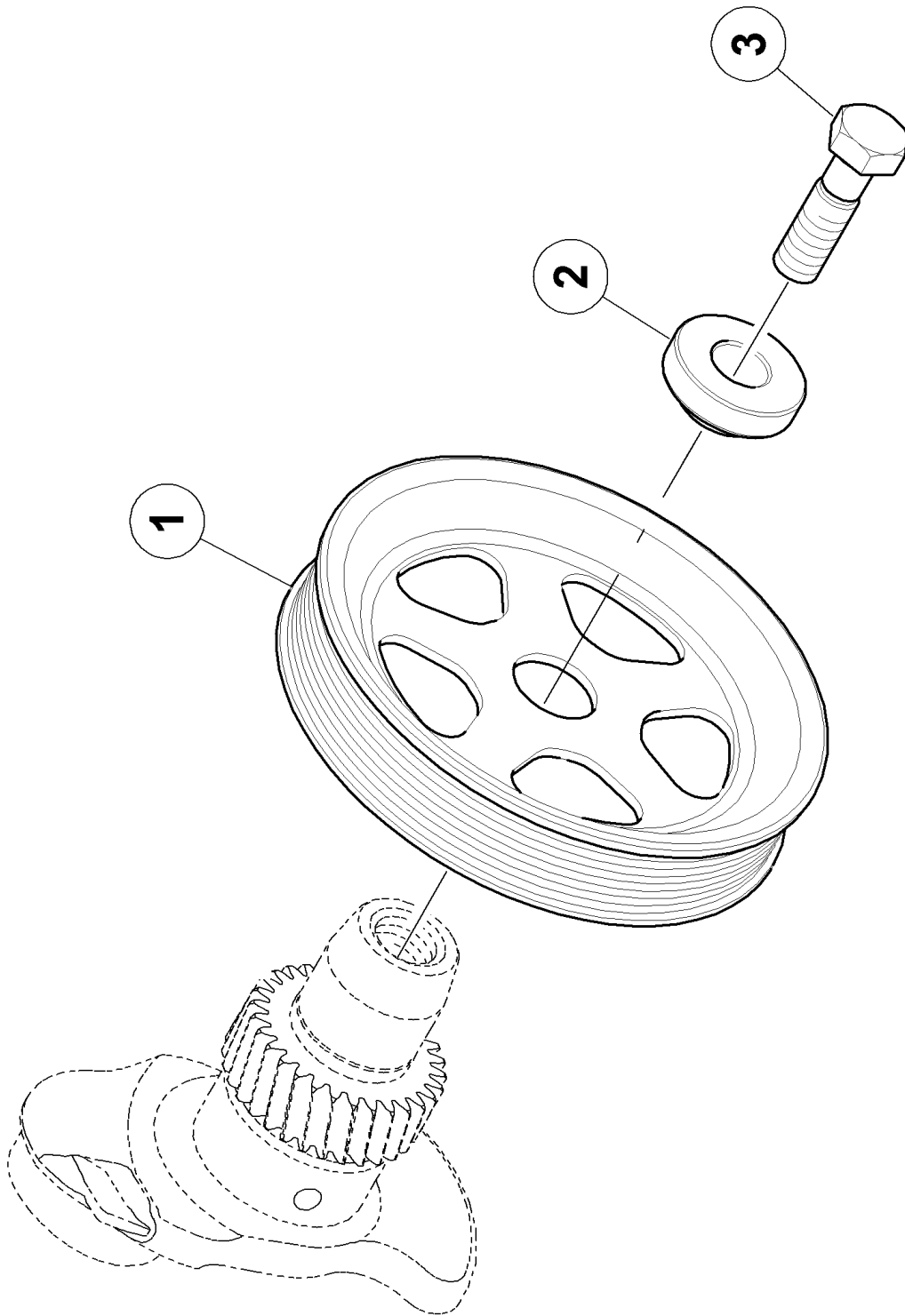
120 CONNECTING ROD, CONNECTING ROD BEARINGS

Pos.	Part No.	Description	Dimension	Quantity	Conditions
1	60 0502 453 6	CONNECTING ROD		4	
2	60 0502 453 7	SCREW	12 PTS M12 X 1,25 - 61	8	1)
3	60 0502 147 6	RING		4	
4	60 0501 281 4	INNER CIRCLIP		8	
5	60 0502 147 7	AXLE		4	
6	60 0502 147 8	BEARING		4	
6	60 0502 147 9	BEARING		4	2)
1)	Remarks	A=61mm			
2)	Remarks	-0,254mm			



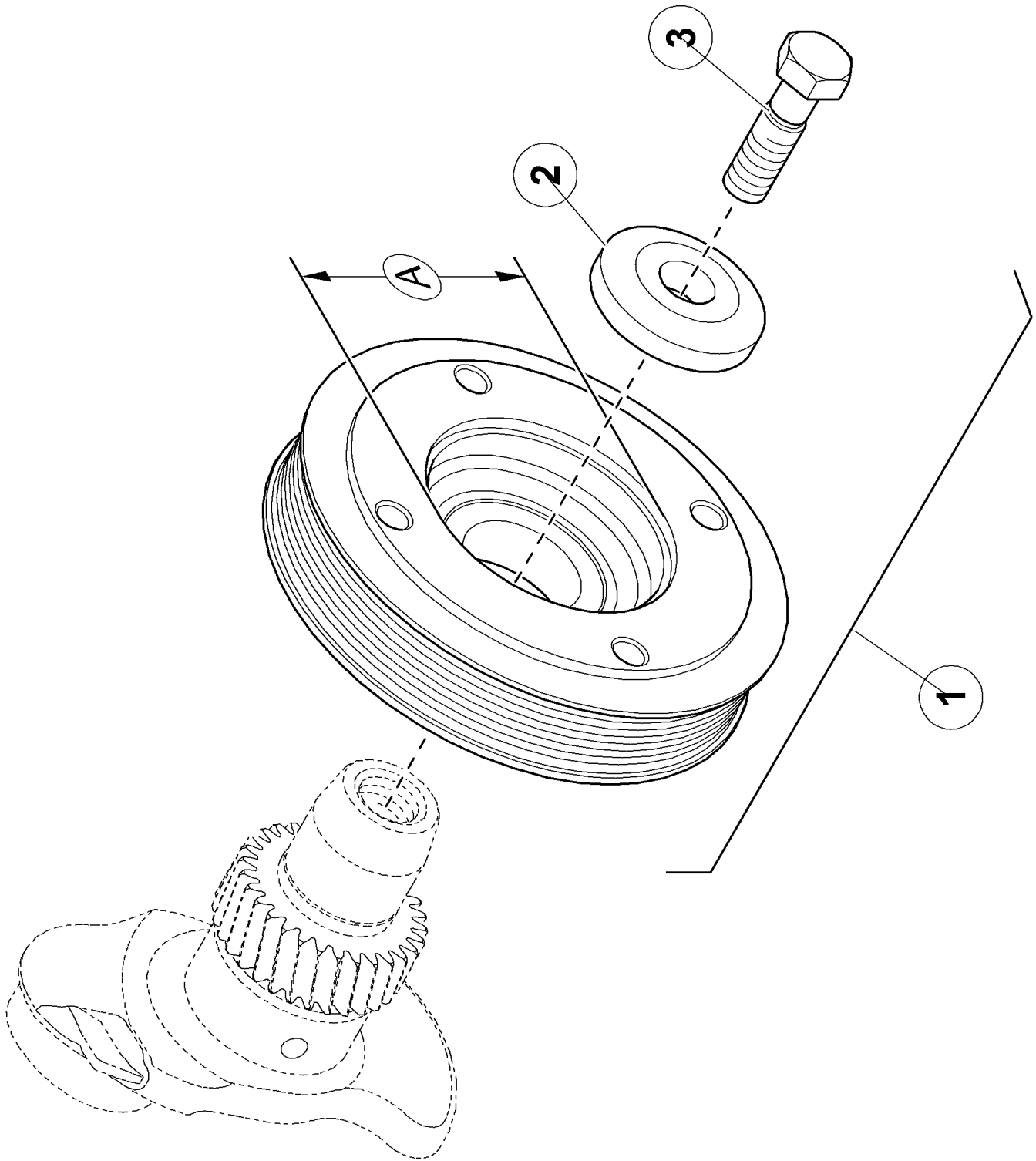
140 CRANKSHAFT

Pos.	Part No.	Description	Dimension	Quantity	Conditions
1	60 0503 090 7	CRANKSHAFT		1	
2	60 0501 317 4	CENTRING PIN		1	
3	60 0501 279 0	SHAFT SEAL	118X146X15	1	
4	60 0502 148 1	BEARING		1	
4	60 0502 148 2	BEARING		1	1)
5	60 0502 148 3	BEARING		4	
5	60 0502 148 4	BEARING		4	1)
6	60 0502 148 5	WHEEL		1	2)
7	60 0502 151 0	KEY		1	
8	60 0502 869 8	WHEEL		1	
9	60 0503 024 7	SEALING RING		1	
1)	Remarks			-0.254mm	
2)	Remarks			30 dents	



161 CRANKSHAFT PULLEY WHEEL 1)

Pos.	Part No.	Description	Dimension	Quantity	Conditions
1	60 0503 052 4	CRANKSHAFT PULLEY		1	
2	60 0503 052 5	WASHER		1	
3	60 0502 866 8	SCREW	M20X70	1	
1)	Equipment				
		0D0060	W/OUT FR LIFTING AND PTO		
		0D0073	FR LIFTING 2.8T		
		0D0074	FR LIFTING 3.8T		

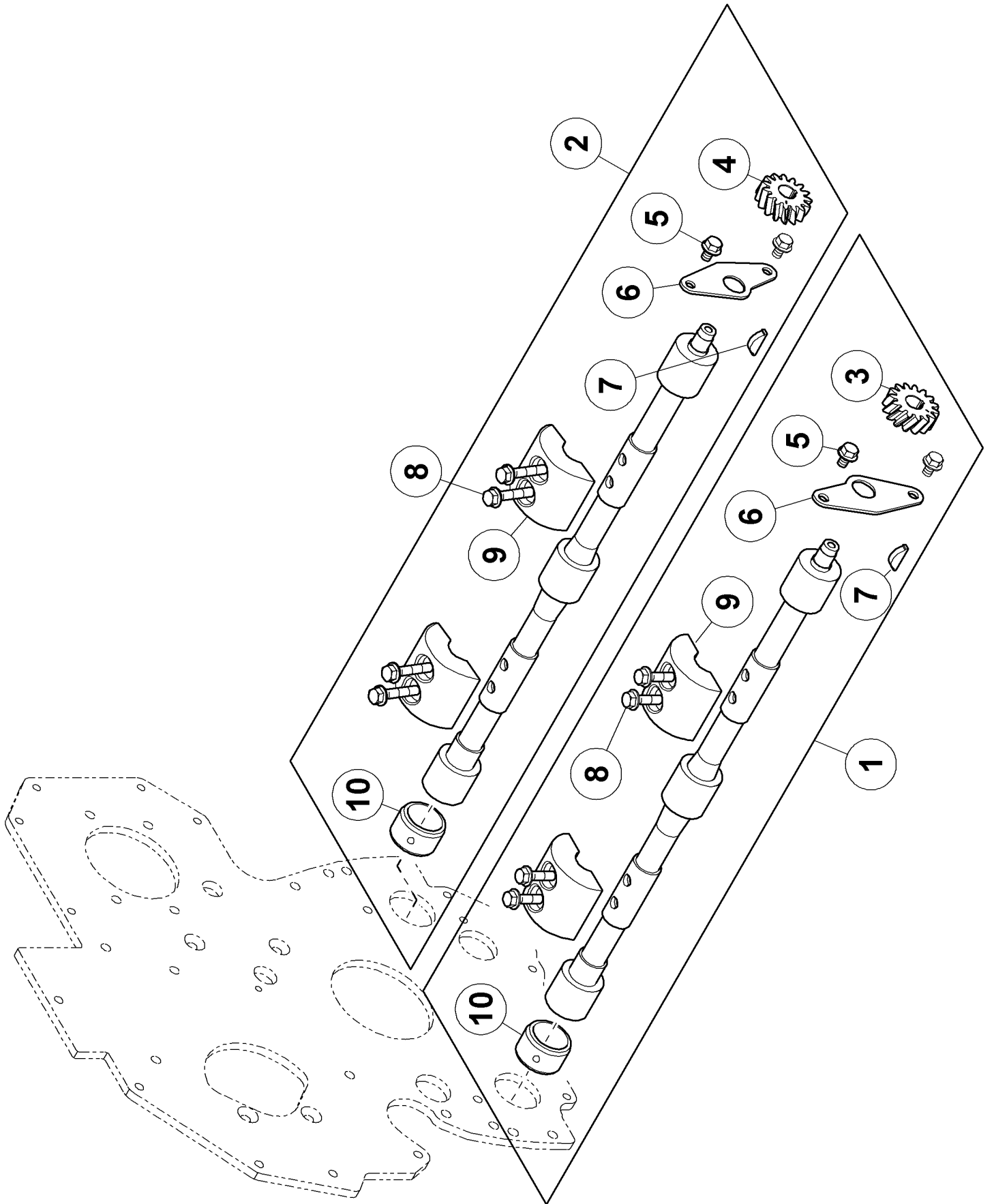


161 CRANKSHAFT PULLEY WHEEL 1)

Pos.	Part No.	Description	Dimension	Quantity	Conditions
1	77 0007 384 1	CRANKSHAFT PULLEY		1	
2	60 0503 091 1	WASHER		1	
3	60 0502 866 8	SCREW	M20X70	1	

1) Equipment

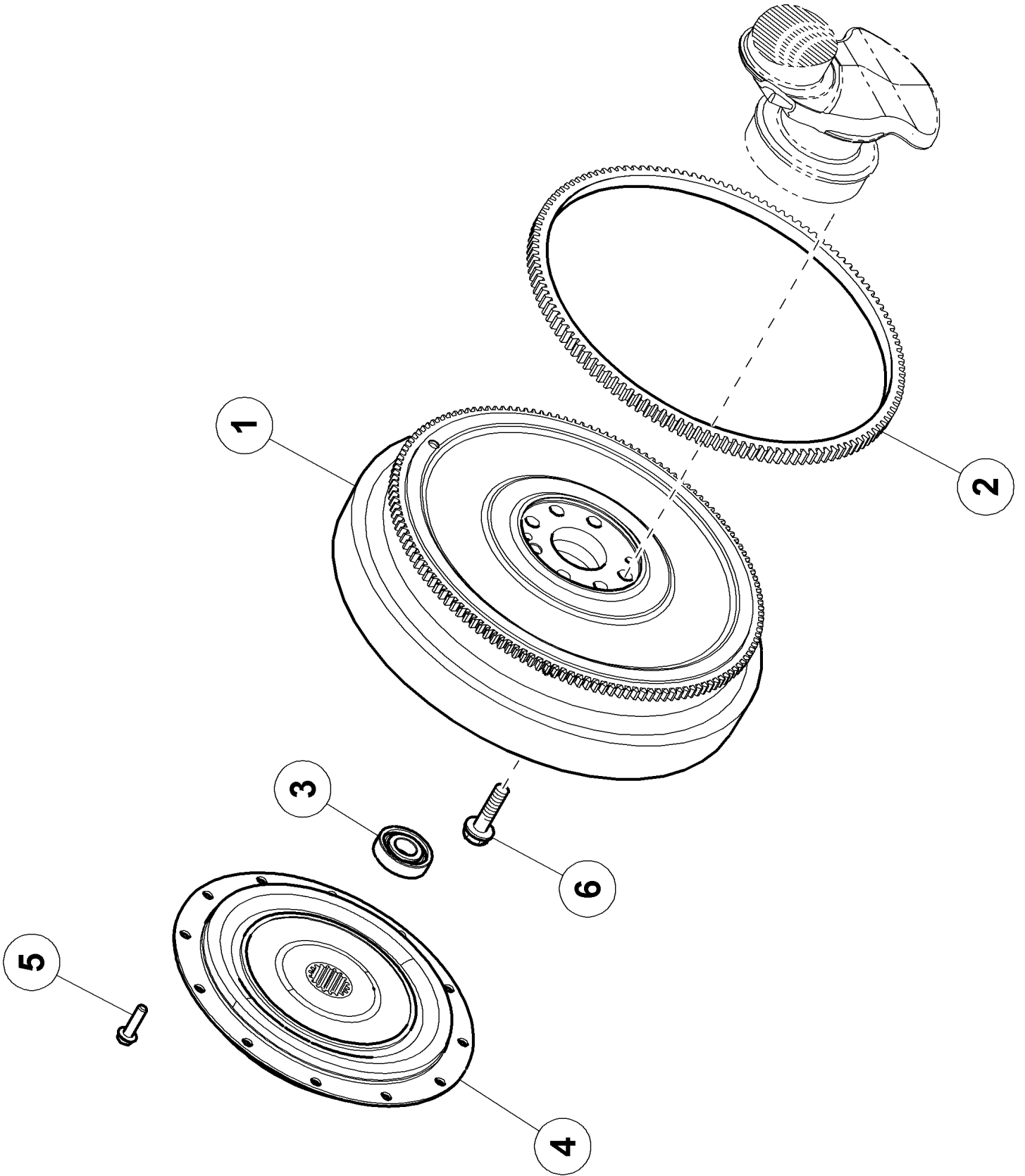
0D0071	FR PTO CW
0D0072	SAH FR PTO
0D0075	FR LIFT 2.8T+SH PTO
0D0076	FR LIFT 3.8T+SH PTO
0D0077	FR LIFT 2.8T+SAH PTO
0D0078	FR LIFT 3.8T+SAH PTO



200 MASS BALANCING

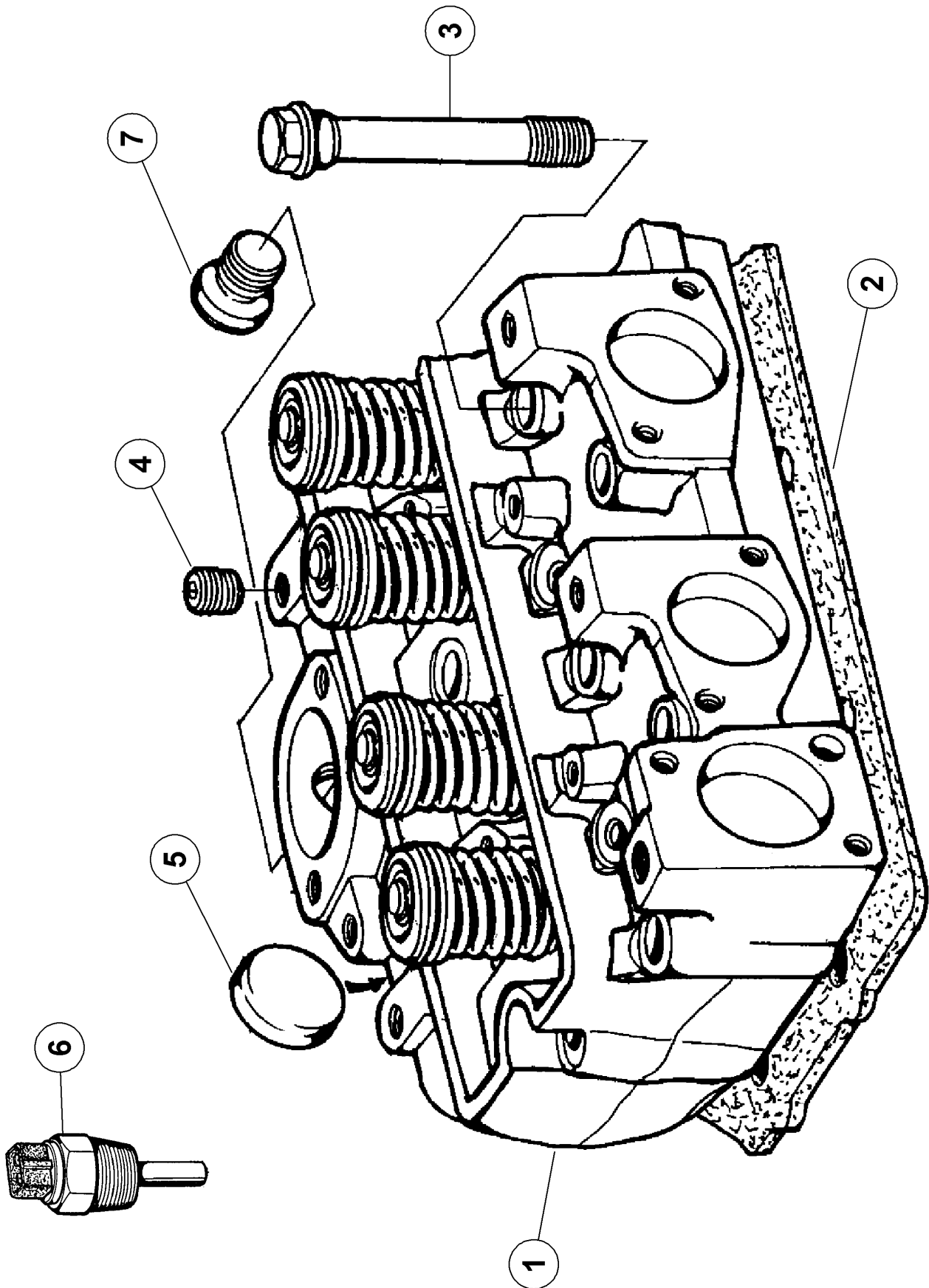
Pos.	Part No.	Description	Dimension	Quantity	Conditions
1	60 0502 594 0	SHAFT		1	1)
2	60 0502 594 1	SHAFT		1	2)
3	60 0502 594 2	WHEEL		1	3)
4	60 0502 594 3	WHEEL		1	4)
5	60 0502 594 5	SCREW		4	
6	FA-NFP	NFP - CS		2	
7	60 0502 148 6	KEY		2	
8	60 0502 594 7	SCREW	M8X40	8	
9	60 0502 594 6	FLYWEIGHT		4	
10	60 0502 593 1	RING		6	

1) Remarks	D.
2) Remarks	G.
3) Remarks	D. 15Dts.
4) Remarks	G. 15Dts.



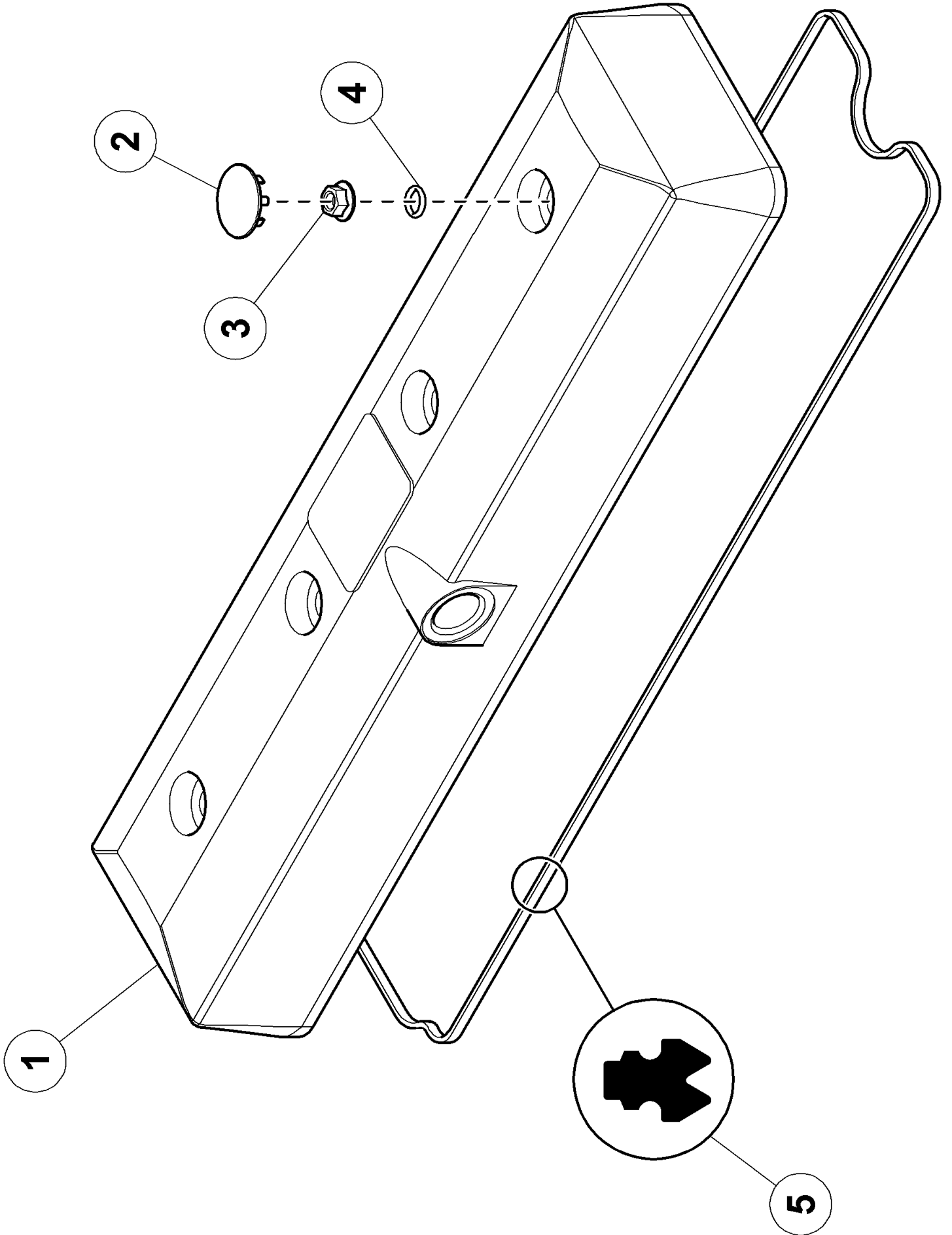
220 FLYWHEEL

Pos.	Part No.	Description	Dimension	Quantity	Conditions
1	77 0007 132 9	FLYWHEEL		1	
2	77 0004 728 5	TOOTHED RIM		1	
3	77 0103 068 6	BEARING-1 BALL	6305-2RS	1	1)
4	77 0006 716 1	TORSION DAMPER		1	
5	77 0005 997 8	HEXAGON HEAD BOLT	M10X40	8	2)
6	60 0502 625 8	SCREW	12 X 1,75 -37 - M12X40	4	3)
1)	Remarks	25X62X17			
2)	Remarks	HM10X150-40EMB			
3)	Remarks	HM12X175-38			



100 CYLINDER HEAD

Pos.	Part No.	Description	Dimension	Quantity	Conditions
1	60 0502 594 8	CYLINDER HEAD		1	
2	60 0502 594 9	CYLINDER HEAD GASKET		1	
3	60 0501 288 6	SCREW		18	
4	60 0502 144 0	LOCK		1	
5	60 0501 288 3	LOCK		1	
5	60 0502 149 2	PLUG		2	
6	60 0501 344 2	SENDER UNIT		1	
7	60 0501 591 9	PLUG		1	



120 CYLINDER HEAD COVER

Pos.	Part No.	Description	Dimension	Quantity	Conditions
1	FA-CONSIGN ES	Consignes - CS		1	
2	60 0502 134 4	PLUG		4	
3	60 0502 149 4	FLANGE NUT		4	
4	60 0502 134 7	O-RING	W.ERS. D. 0219 147.0	1	
5	60 0502 595 1	SEALING RING		1	



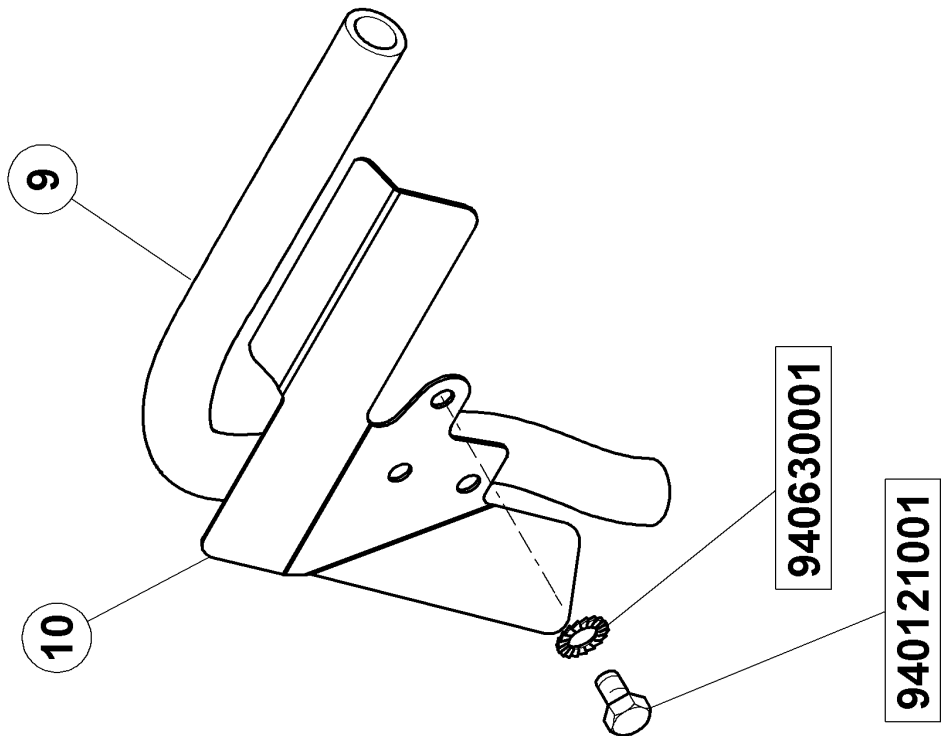
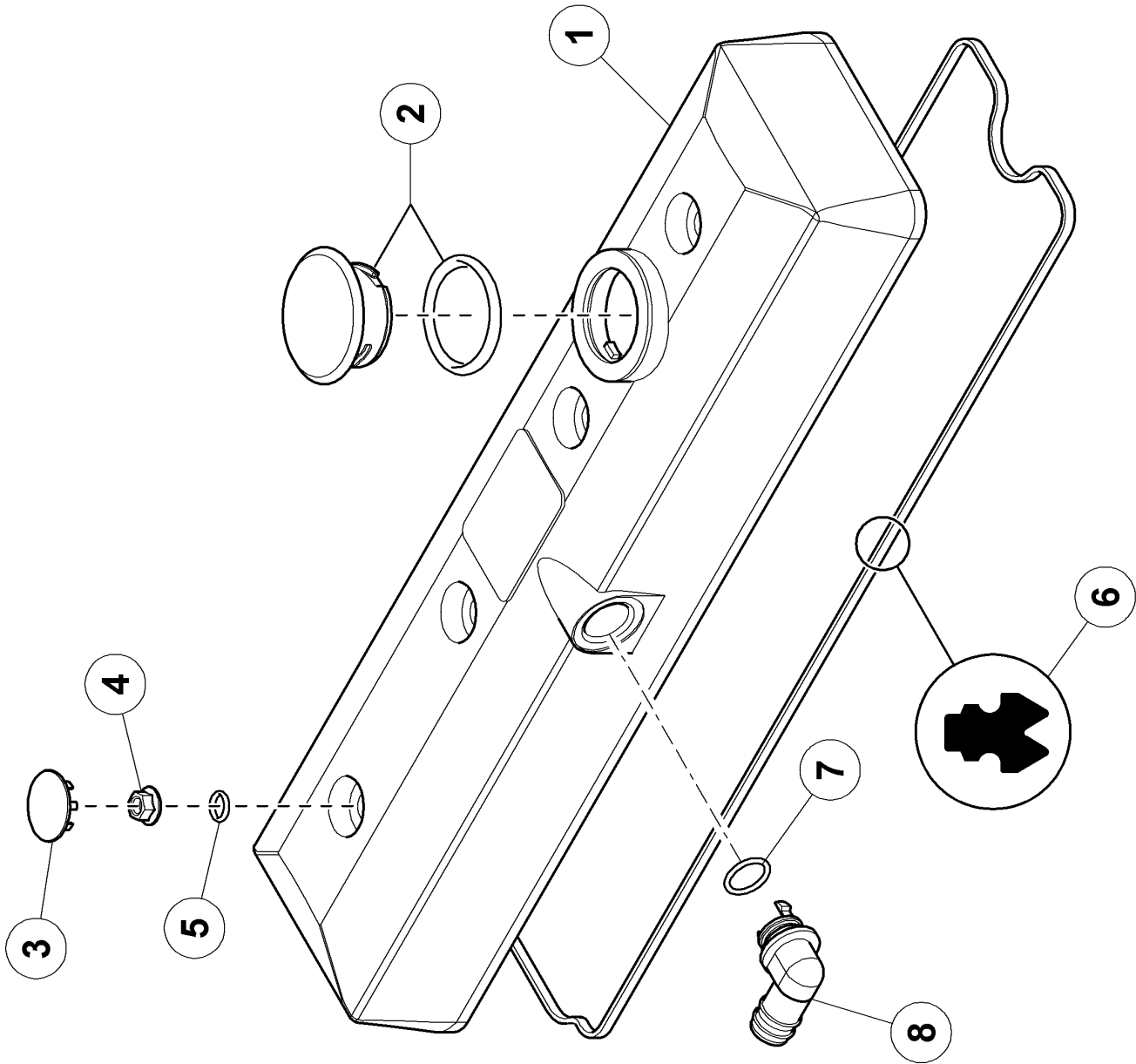
Suggest:

For more complete manuals. Please go to the home page.

<https://www.ebooklibonline.com>

If the above button click is invalid. Please download this document first, and then click the above link to download the complete manual.

Thank you so much for reading



120 CYLINDER HEAD COVER

Pos.	Part No.	Description	Dimension	Quantity	Conditions
1	60 0502 595 0	ROCKER COVER		1	
-		<i>Please order additionally!</i>			
	60 0502 149 5	LOCK		1,000	
2	60 0502 149 5	LOCK		1	
3	60 0502 134 4	PLUG		4	
4	60 0502 149 4	FLANGE NUT		4	
5	60 0502 134 7	O-RING	W.ERS. D. 0219 147.0	4	
6	60 0502 595 1	SEALING RING		1	
7	60 0500 901 5	O-RING		1	
8	60 0503 026 5	SCREWING		1	
9	60 0502 150 0	HOSE		1	
10	00 1105 007 0	DEFLECTOR		1	
94012	77 0310 114 0	SCREW	M 10X16	1	
1001					
94063	79 0305 601 7	WASHER	A10,5	1	
0001					

<https://www.ebooklibonline.com>

Hello dear friend!

Thank you very much for reading.

Enter the link into your browser.

The full manual is available for immediate download.

<https://www.ebooklibonline.com>