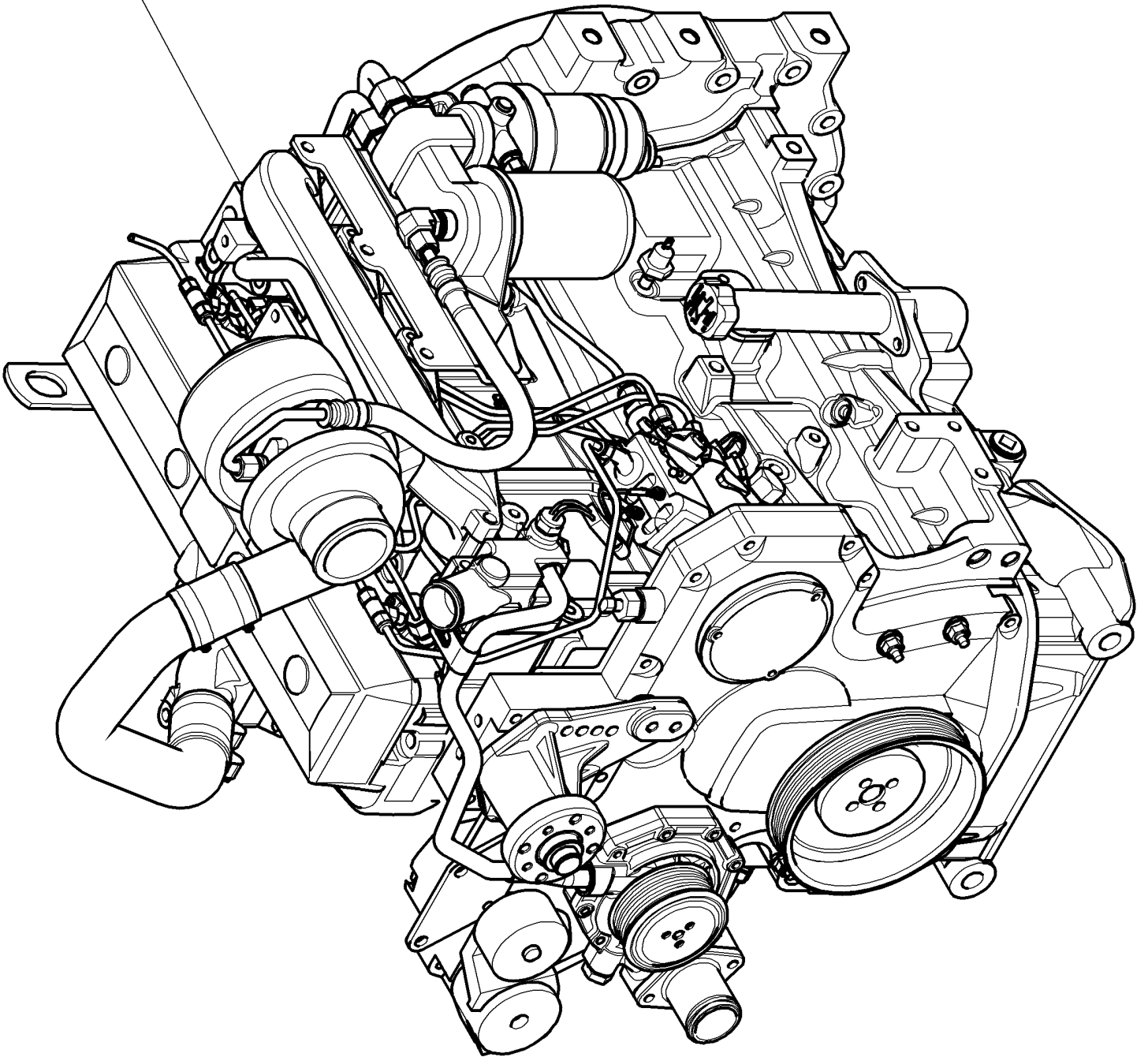
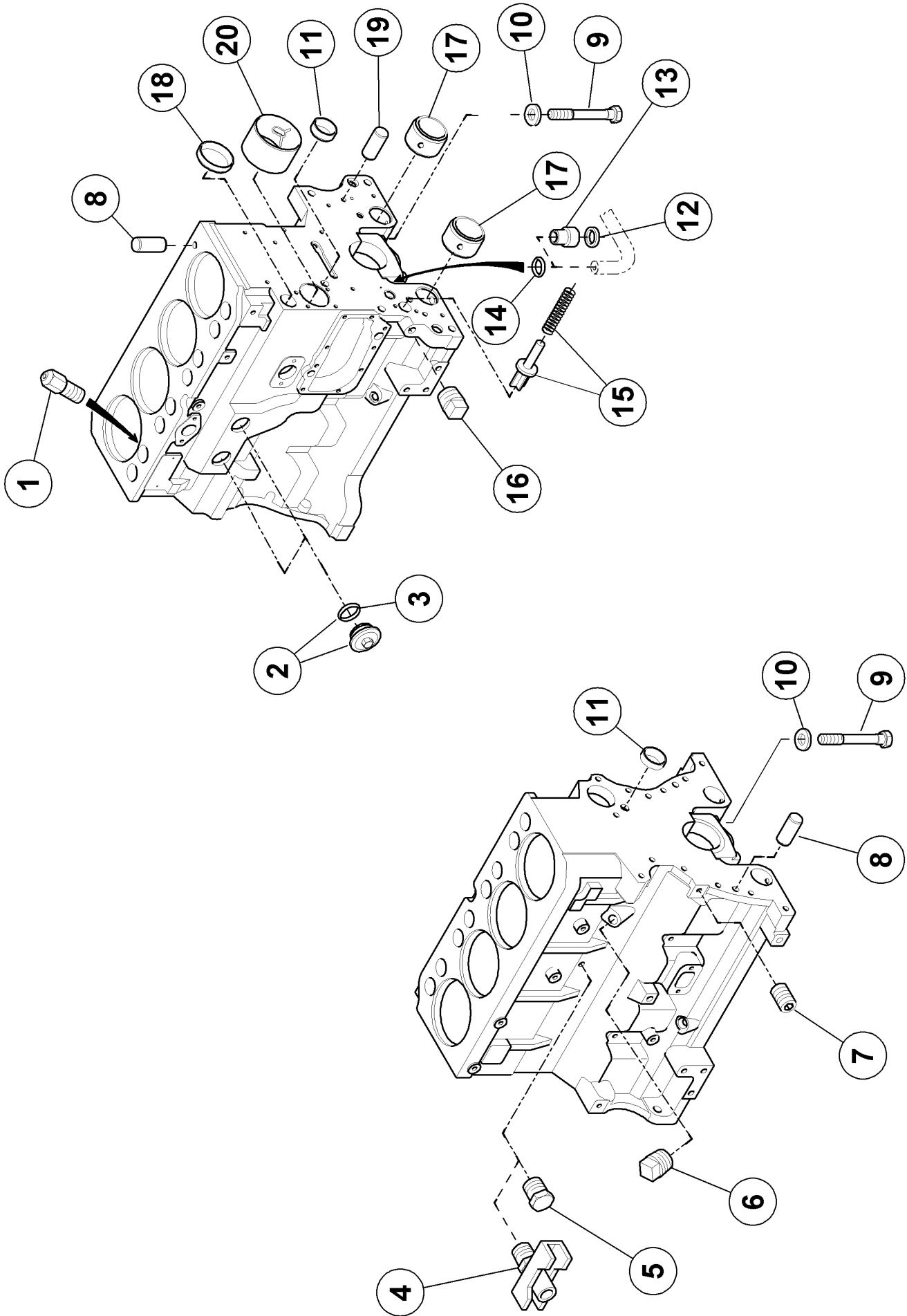


1



**010 COMPLETE ENGINE**

<b>Pos.</b>	<b>Part No.</b>	<b>Description</b>	<b>Dimension</b>	<b>Quantity</b>	<b>Conditions</b>
1	<b>77 0006 888 0</b>	ENGINE		1	1)
1	<b>77 0006 888 2</b>	ENGINE		1	2)
1	<b>77 0006 888 3</b>	ENGINE		1	3)
1	<b>77 0006 888 4</b>	ENGINE		1	4)
<b>1)</b>	<b>Homologationtype</b>		+ 5342		
<b>2)</b>	<b>Homologationtype</b>		+ 5352		
<b>3)</b>	<b>Homologationtype</b>		+ 5362		
<b>4)</b>	<b>Homologationtype</b>		+ 5372		



**<https://www.ebooklibonline.com>**

Hello dear friend!

Thank you very much for reading.

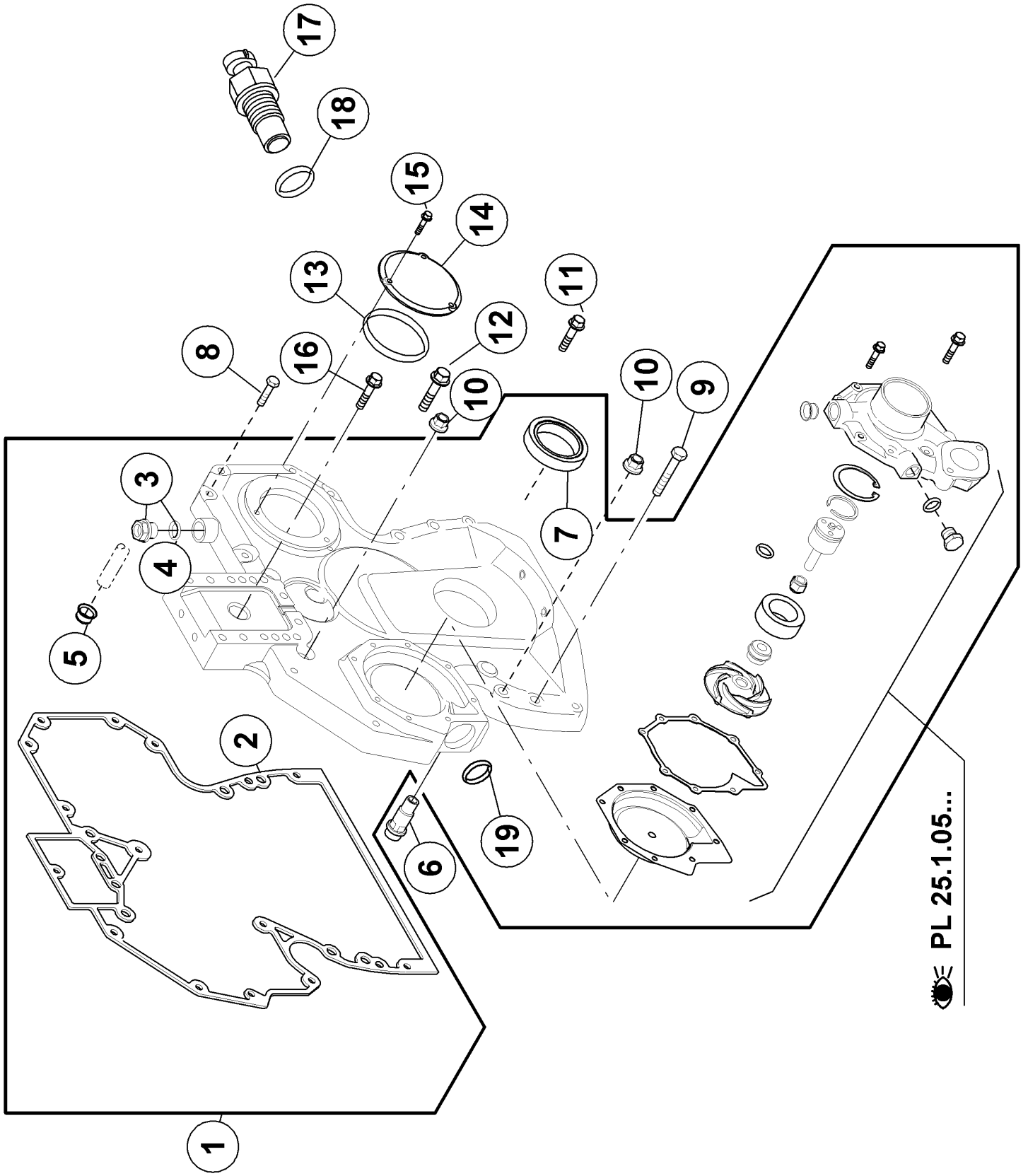
Enter the link into your browser.

The full manual is available for immediate download.

**<https://www.ebooklibonline.com>**

**100 CRANKCASE**

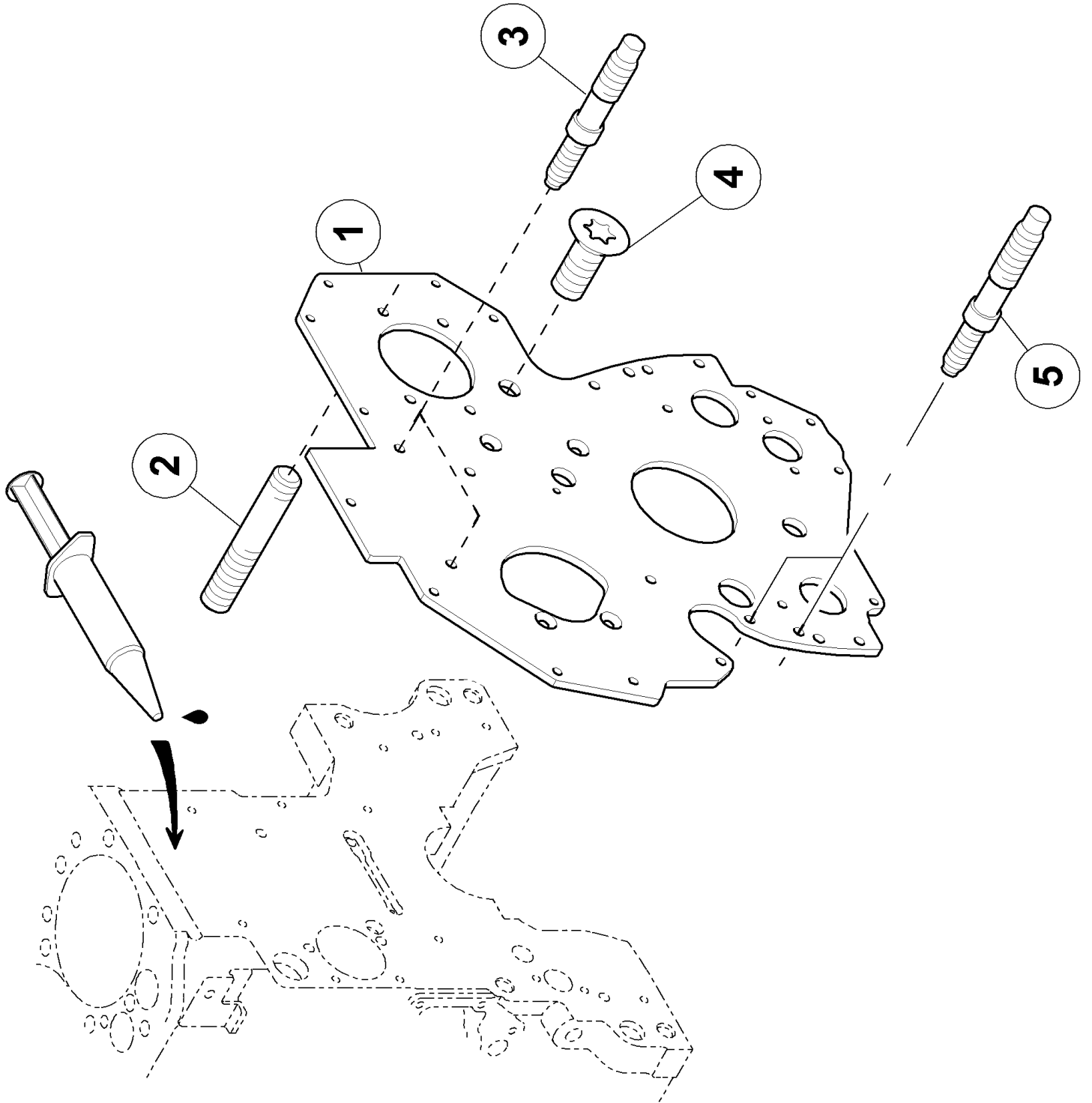
<b>Pos.</b>	<b>Part No.</b>	<b>Description</b>	<b>Dimension</b>	<b>Quantity</b>	<b>Conditions</b>
1	<b>60 0502 143 6</b>	SPRAY NOZZLE		4	
2	<b>60 0502 905 2</b>	PLUG		2	
3	<b>60 0502 339 4</b>	O-RING		2	
4	<b>60 0501 320 7</b>	VALVE		1	
5	<b>60 0502 665 3</b>	PLUG		1	
6	<b>60 0501 321 0</b>	PLUG		1	
7	<b>60 0502 144 0</b>	LOCK		1	
8	<b>60 0501 317 4</b>	CENTRING PIN		4	
9	<b>60 0501 320 6</b>	SCREW		10	
10	<b>60 0502 143 7</b>	WASHER	13X22X2,5	10	
11	<b>60 0501 319 8</b>	BLANKING COVER		2	
12	<b>60 0501 334 1</b>	O-RING		1	
13	<b>60 0501 597 2</b>	BUSHING		1	
14	<b>60 0501 320 3</b>	O-RING		1	
15	<b>60 0501 402 9</b>	VALVE		1	
16	<b>60 0501 320 2</b>	LOCK		1	
17	<b>60 0502 593 1</b>	RING		6	
18	<b>60 0502 143 9</b>	BLANKING COVER		1	
19	<b>60 0501 319 6</b>	CENTRING PIN		2	
20	<b>60 0501 294 1</b>	BEARING		1	



PL 25.1.05...

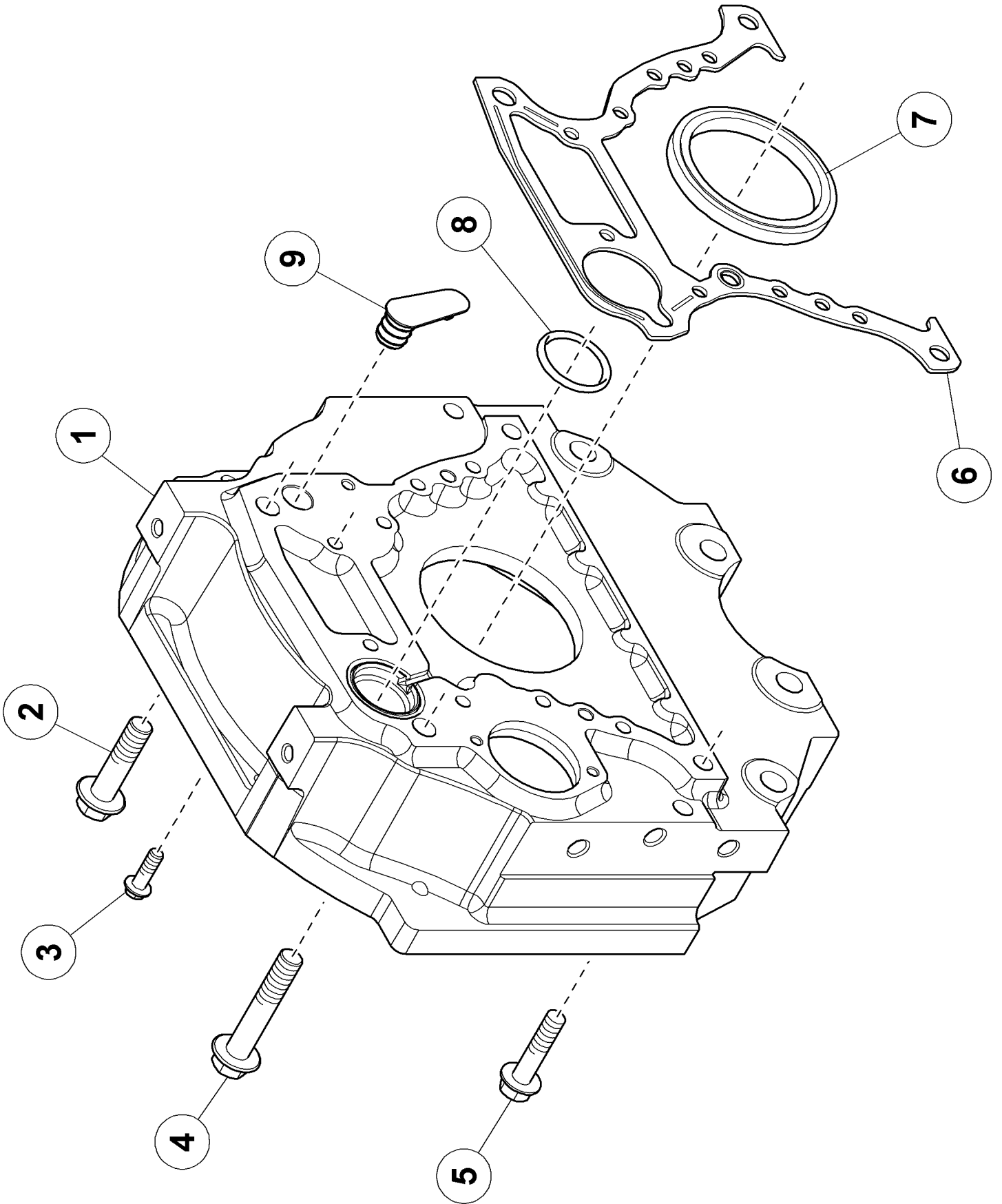
**120 TIMING CASE**

Pos.	Part No.	Description	Dimension	Quantity	Conditions
1	<b>60 0502 869 0</b>	HOUSING		1	
2	<b>60 0502 144 3</b>	GASKET		1	
3	<b>60 0502 895 5</b>	SCREW PLUG	F-M20X1,5	1	
4	<b>77 0002 464 6</b>	O-RING	17X2-N ERS.D. 0238209.0	1	
5	<b>60 0502 163 0</b>	SEALING RING		1	
6	<b>60 0502 869 1</b>	VALVE		1	
7	<b>60 0503 024 7</b>	SEALING RING		1	
8	<b>60 0502 144 5</b>	SCREW	M8X45	6	
9	<b>60 0502 145 8</b>	SCREW		2	
10	<b>60 0502 144 9</b>	NUT		6	
11	<b>60 0502 145 0</b>	SCREW	M08X60	1	
12	<b>60 0502 339 6</b>	SCREW		1	
13	<b>60 0502 144 6</b>	O-RING		1	
14	<b>60 0502 144 7</b>	COVER		1	
15	<b>60 0502 144 8</b>	SCREW	M6X16	3	
16	<b>60 0502 144 4</b>	SCREW	M8X35	1	
17	<b>77 0007 199 7</b>	SENSOR		1	1)
18	<b>77 0002 464 6</b>	O-RING	17X2-N ERS.D. 0238209.0	1	
<b>1)</b>	<b>Remarks</b>	vitesse mot.			



**120 TIMING CASE**

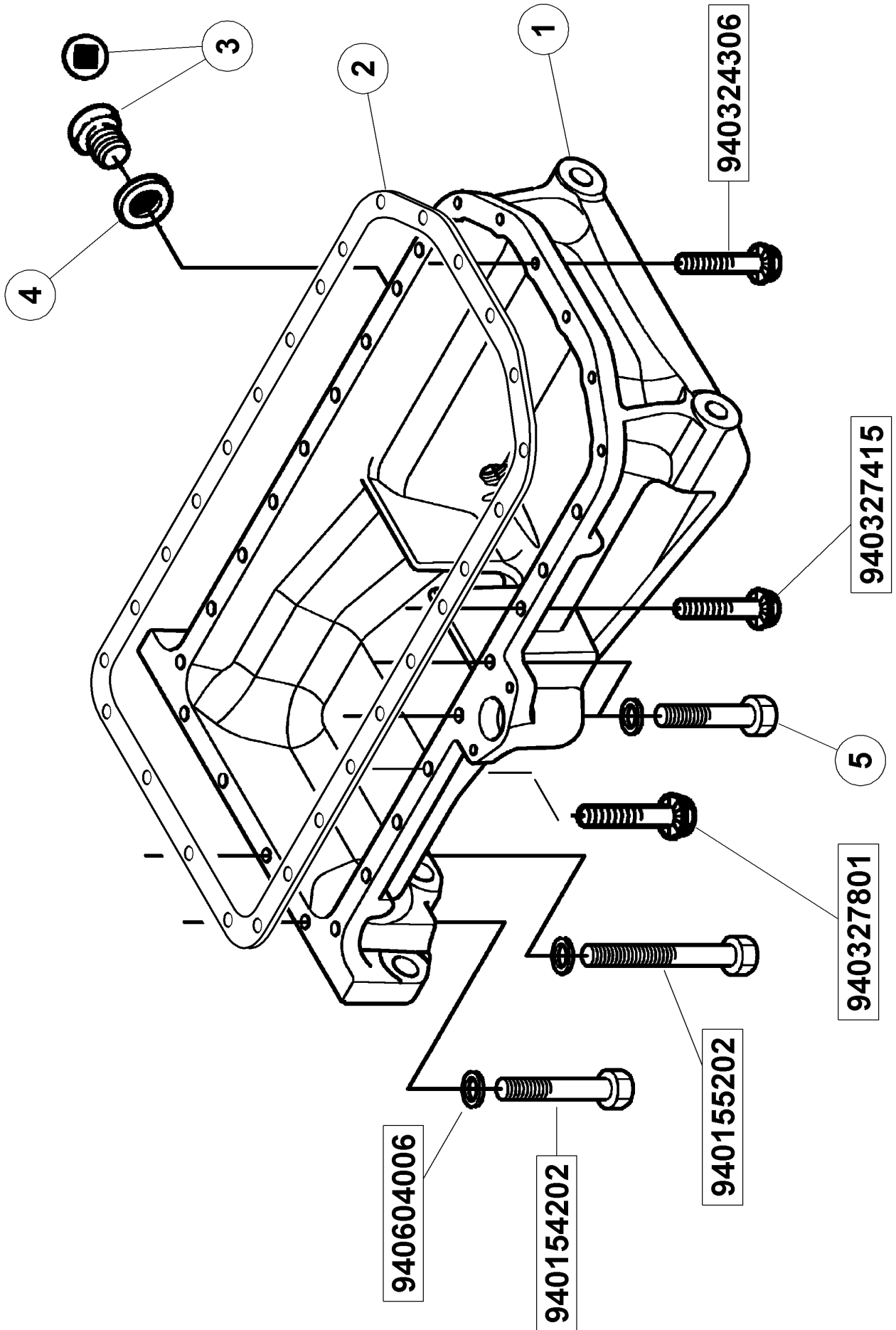
<b>Pos.</b>	<b>Part No.</b>	<b>Description</b>	<b>Dimension</b>	<b>Quantity</b>	<b>Conditions</b>
1	<b>60 0502 145 2</b>	PLATE		1	
2	<b>60 0502 145 5</b>	STUD BOLT		3	
3	<b>60 0502 339 8</b>	STUD BOLT		2	
4	<b>60 0502 339 7</b>	SCREW		4	
5	<b>60 0502 145 7</b>	STUD BOLT		4	



**140 FLYWHEEL HOUSING**

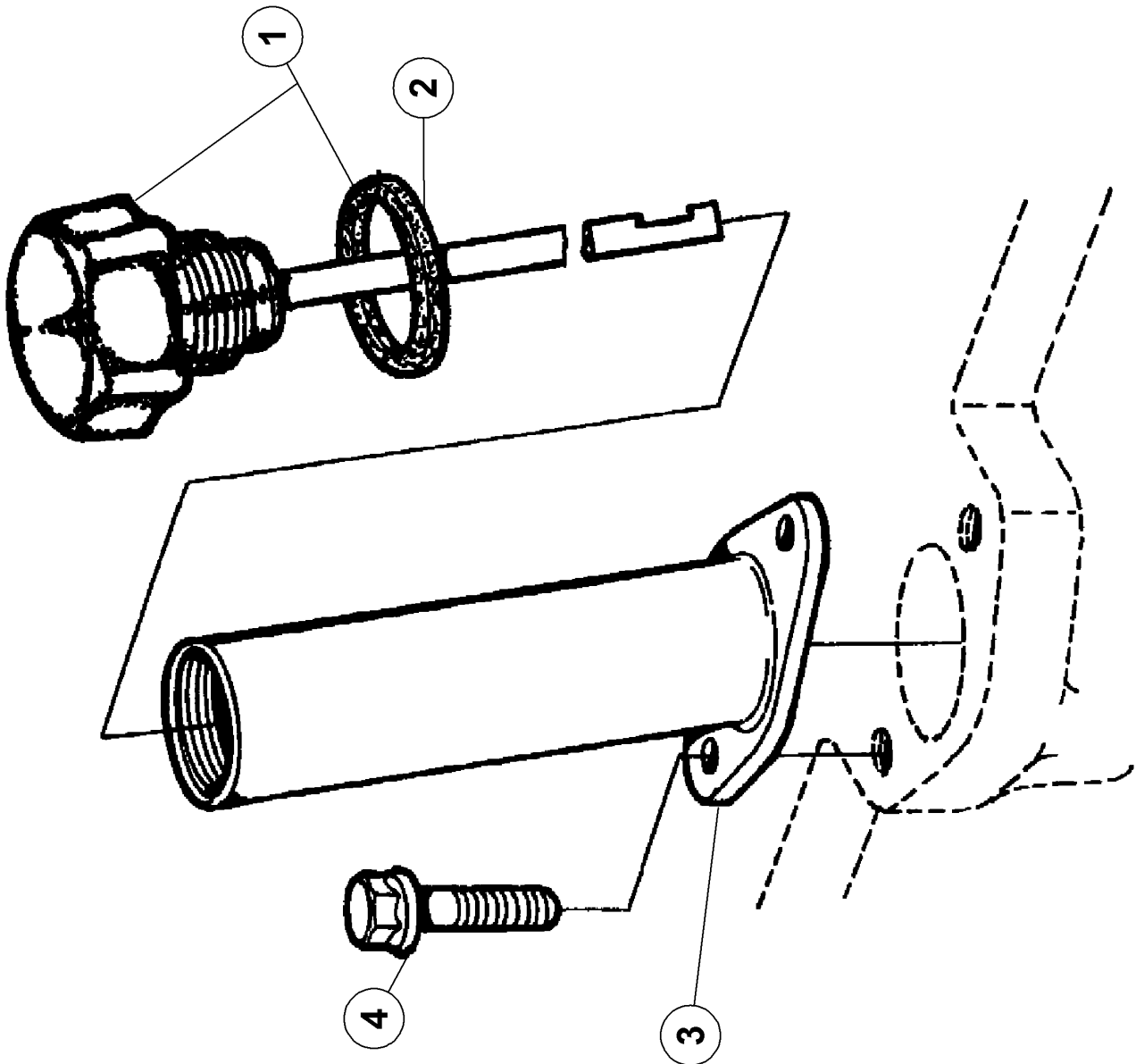
Pos.	Part No.	Description	Dimension	Quantity	Conditions
1	<b>77 0006 967 3</b>	CASING		1	
2	<b>60 0502 146 5</b>	SCREW		1	1)
3	<b>60 0502 625 8</b>	SCREW	12 X 1,75 -37 - M12X40	8	2)
4	<b>60 0502 146 6</b>	SCREW		1	3)
5	<b>60 0502 146 8</b>	SCREW		2	
6	<b>77 0005 577 1</b>	GASKET		1	
7	<b>60 0501 279 0</b>	SHAFT SEAL	118X146X15	1	4)
8	<b>60 0501 604 9</b>	O-RING		1	
9	<b>60 0502 146 2</b>	BLANKING COVER		1	

<b>1)</b>	<b>Remarks</b>	M20X250-80
<b>2)</b>	<b>Remarks</b>	M12X175-38
<b>3)</b>	<b>Remarks</b>	M20X250-110
<b>4)</b>	<b>Remarks</b>	118X146X15



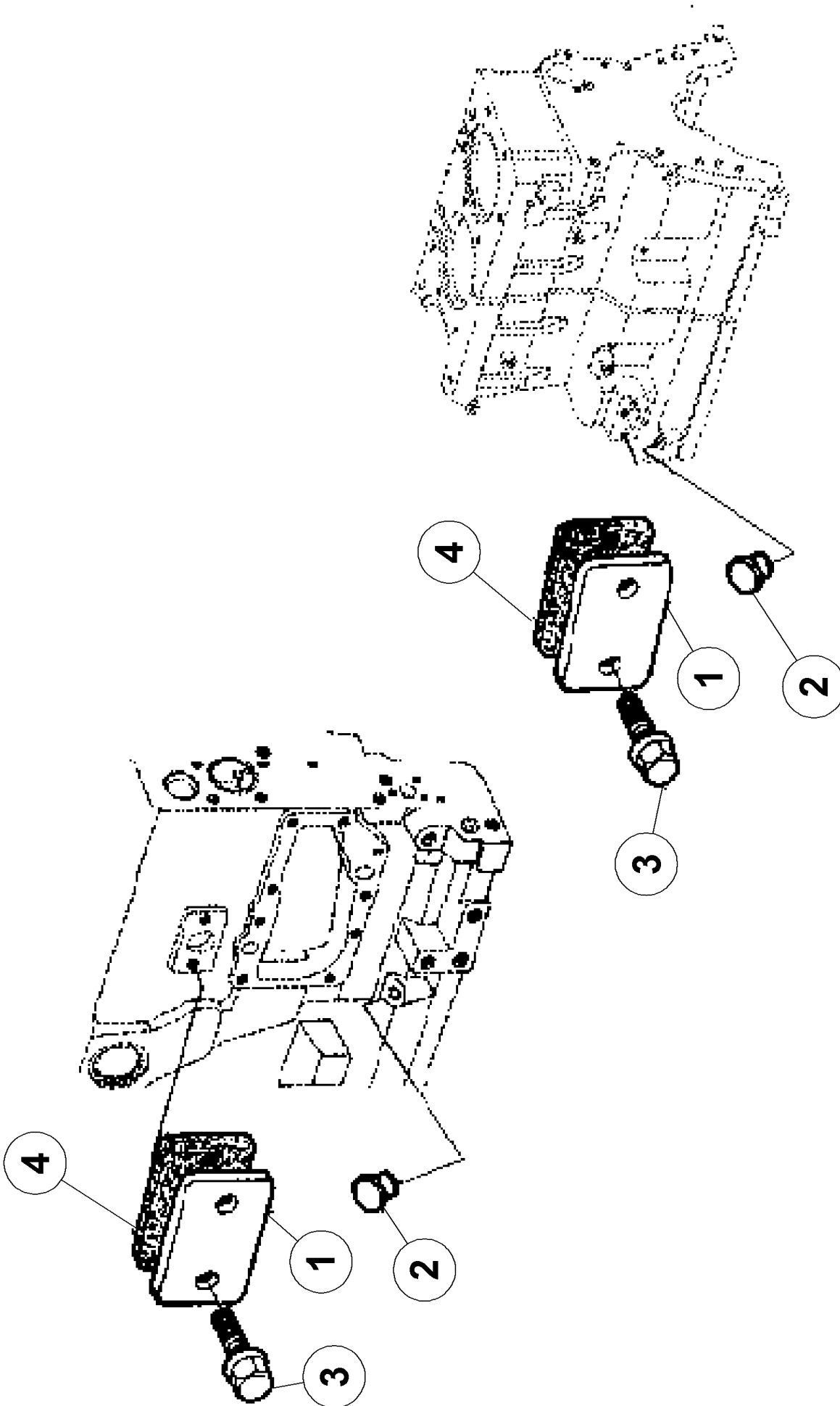
**160 OIL PAN**

<b>Pos.</b>	<b>Part No.</b>	<b>Description</b>	<b>Dimension</b>	<b>Quantity</b>	<b>Conditions</b>
1	<b>60 0502 665 7</b>	OIL SUMP		1	
2	<b>60 0502 625 1</b>	GASKET		1	
3	<b>60 0501 279 3</b>	LOCK		1	
4	<b>60 0501 211 0</b>	GASKET		1	
5	<b>60 0502 147 1</b>	SCREW		2	
94015 4202	<b>77 0310 108 5</b>	HEXAGON HEAD BOLT	M10X140-32	2	
94015 5202	<b>77 0102 451 6</b>	SCREW		2	
94032 4306	<b>77 0101 759 2</b>	SCREW	M08X35 VERBUS RIPP	6	
94032 7415	<b>77 0001 434 0</b>	SCREW	M10X35 - VERBUS RIPP	15	
94032 7801	<b>77 0001 693 5</b>	SCREW	M10X40-V.RIPP ERS.D.1007	1	
94060 4006	<b>77 0305 501 3</b>	WASHER	10	6	



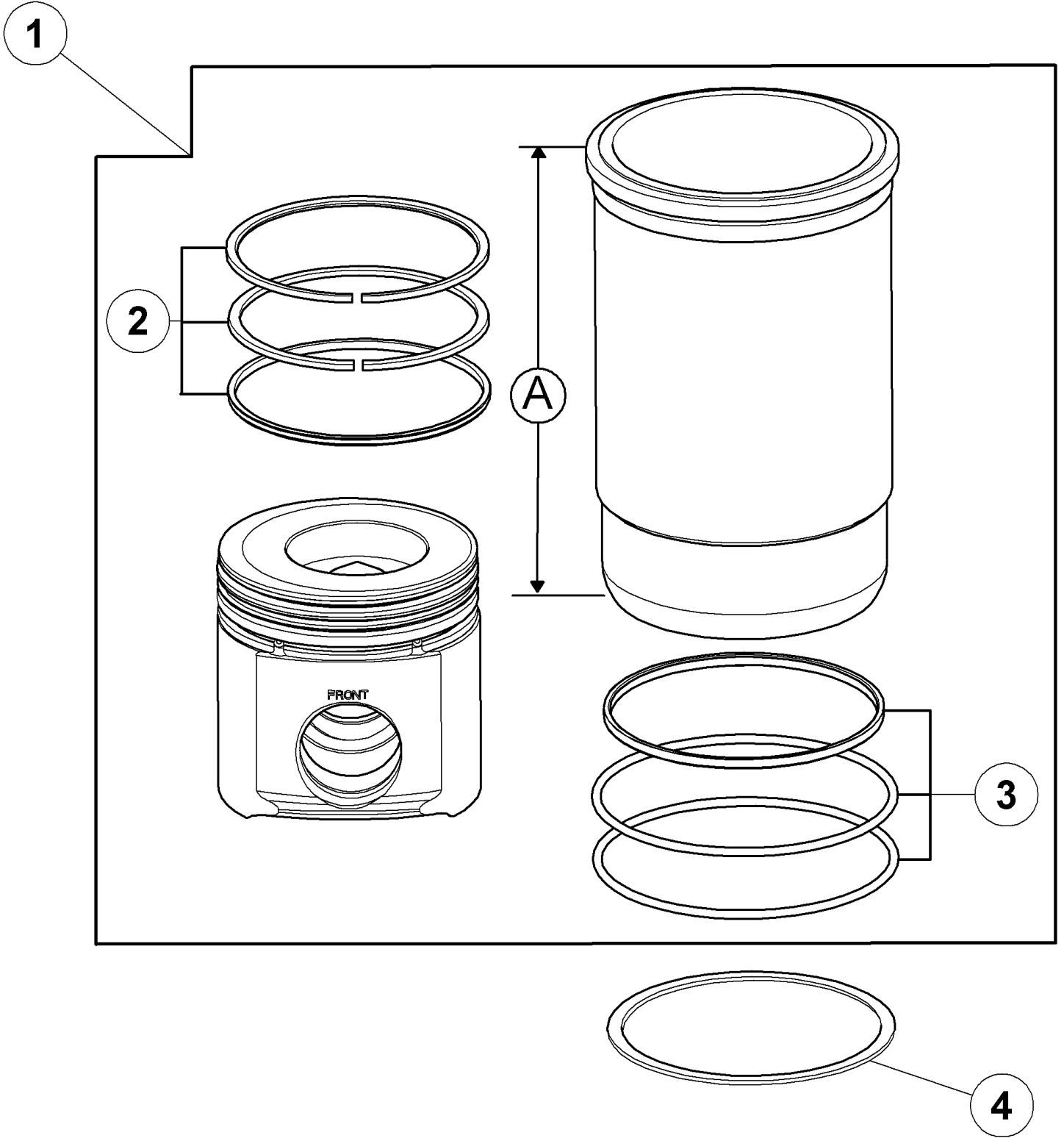
**160 OIL PAN**

<b>Pos.</b>	<b>Part No.</b>	<b>Description</b>	<b>Dimension</b>	<b>Quantity</b>	<b>Conditions</b>
1	<b>60 0501 361 0</b>	GAUGE		1	
2	<b>60 0501 334 6</b>	O-RING		1	
3	<b>60 0502 942 0</b>	TUBE		1	
4	<b>60 0502 145 6</b>	SCREW	M8X25	2	



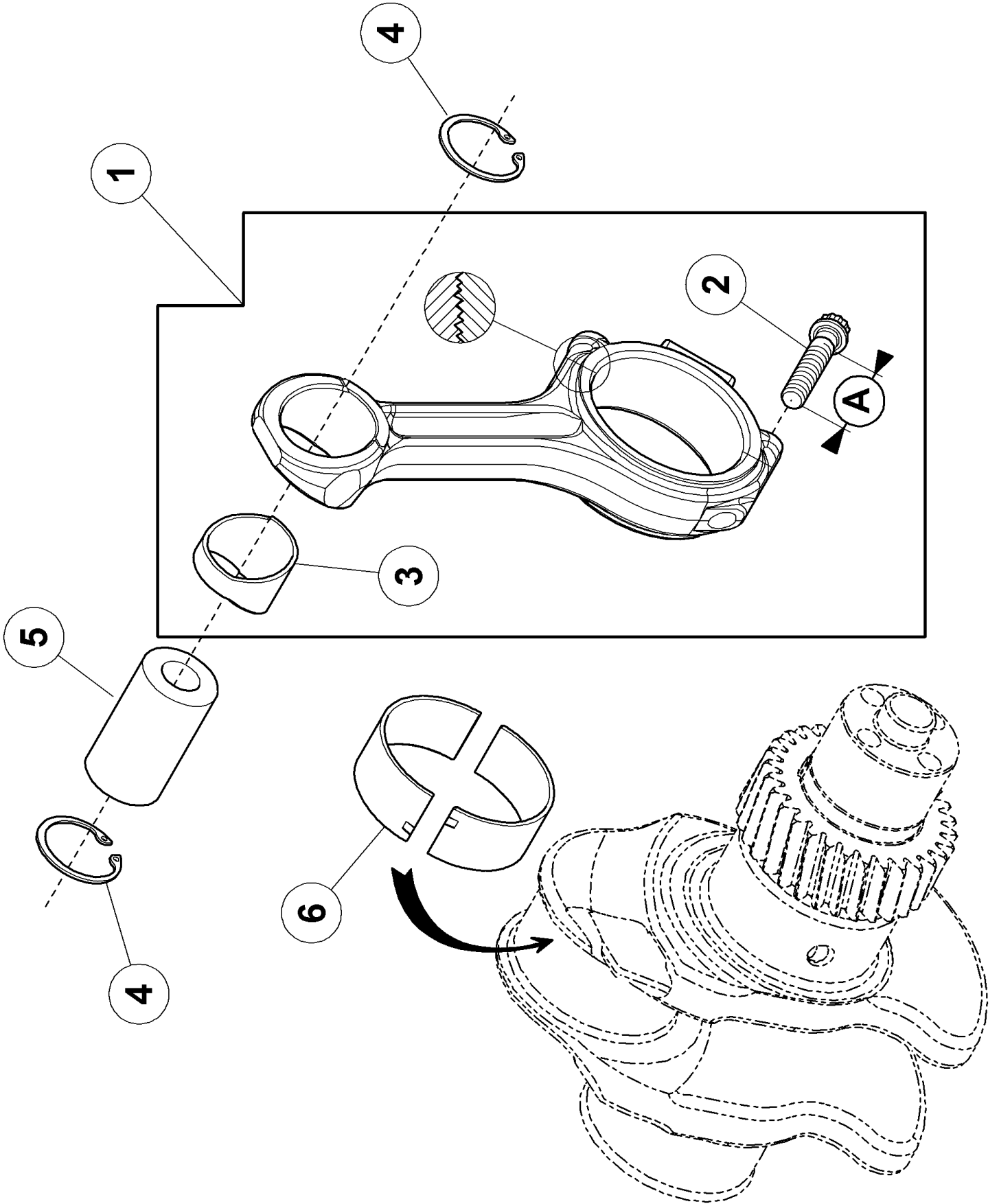
**180 PLUGS**

<b>Pos.</b>	<b>Part No.</b>	<b>Description</b>	<b>Dimension</b>	<b>Quantity</b>	<b>Conditions</b>
1	<b>60 0502 470 2</b>	PLATE		2	
2	<b>60 0502 662 4</b>	PLUG		2	
3	<b>60 0502 149 8</b>	SCREW	M8X20	4	
4	<b>60 0502 470 4</b>	GASKET		2	



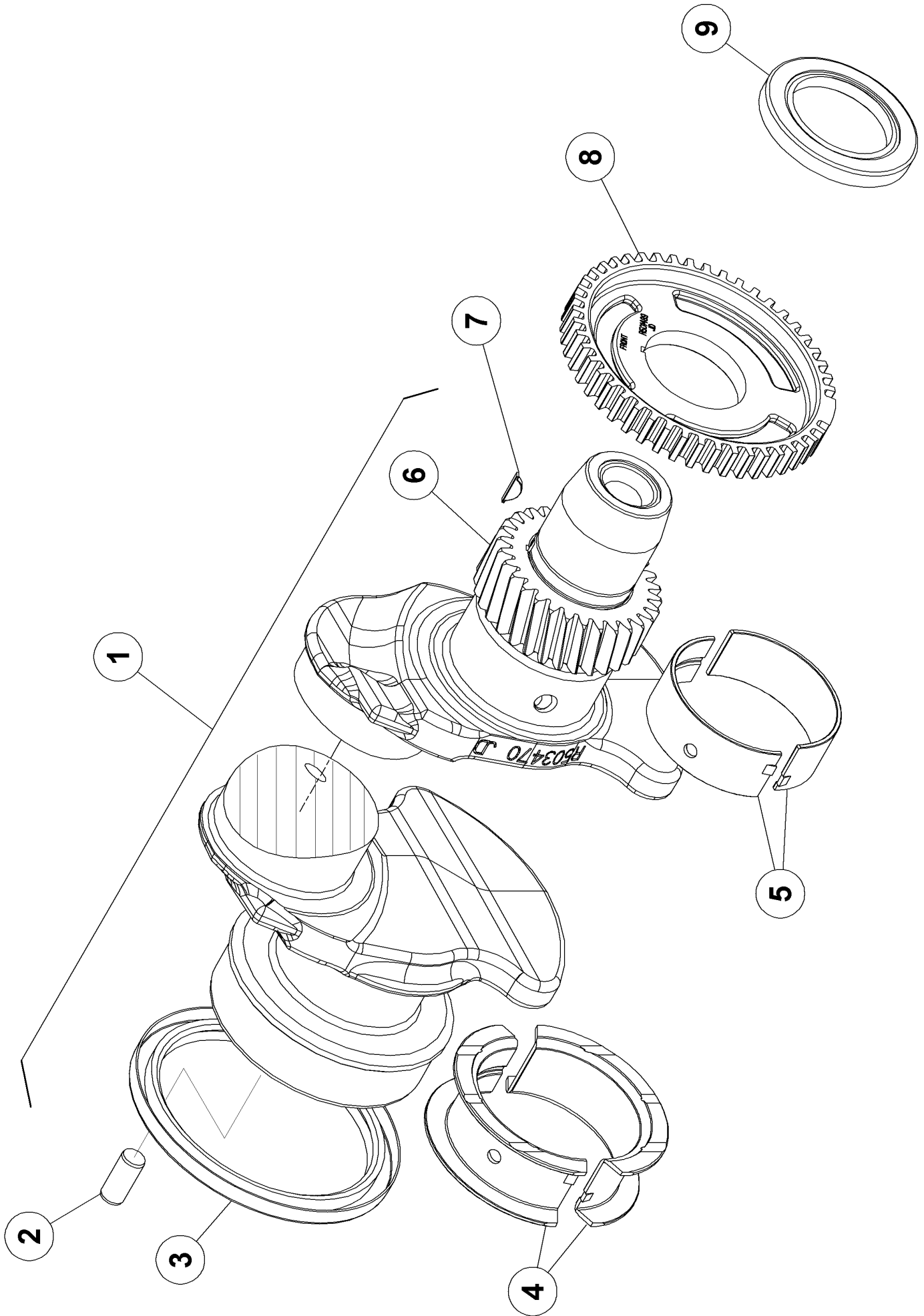
**100 CYLINDER LINER, PISTON**

<b>Pos.</b>	<b>Part No.</b>	<b>Description</b>	<b>Dimension</b>	<b>Quantity</b>	<b>Conditions</b>
1	<b>60 0502 869 4</b>	PISTON-LINER		4	1)
2	<b>60 0502 869 5</b>	SET OF PISTON RINGS		4	
3	<b>60 0501 280 9</b>	SEALING RING SET		4	
4	<b>60 0501 281 5</b>	ADJUSTING DISC		4	2)
4	<b>60 0501 281 6</b>	ADJUSTING DISC		4	3)
<b>1)</b>	<b>Remarks</b>		A=218mm		
<b>2)</b>	<b>Remarks</b>		ép.0.05		
<b>3)</b>	<b>Remarks</b>		ép.0.10		



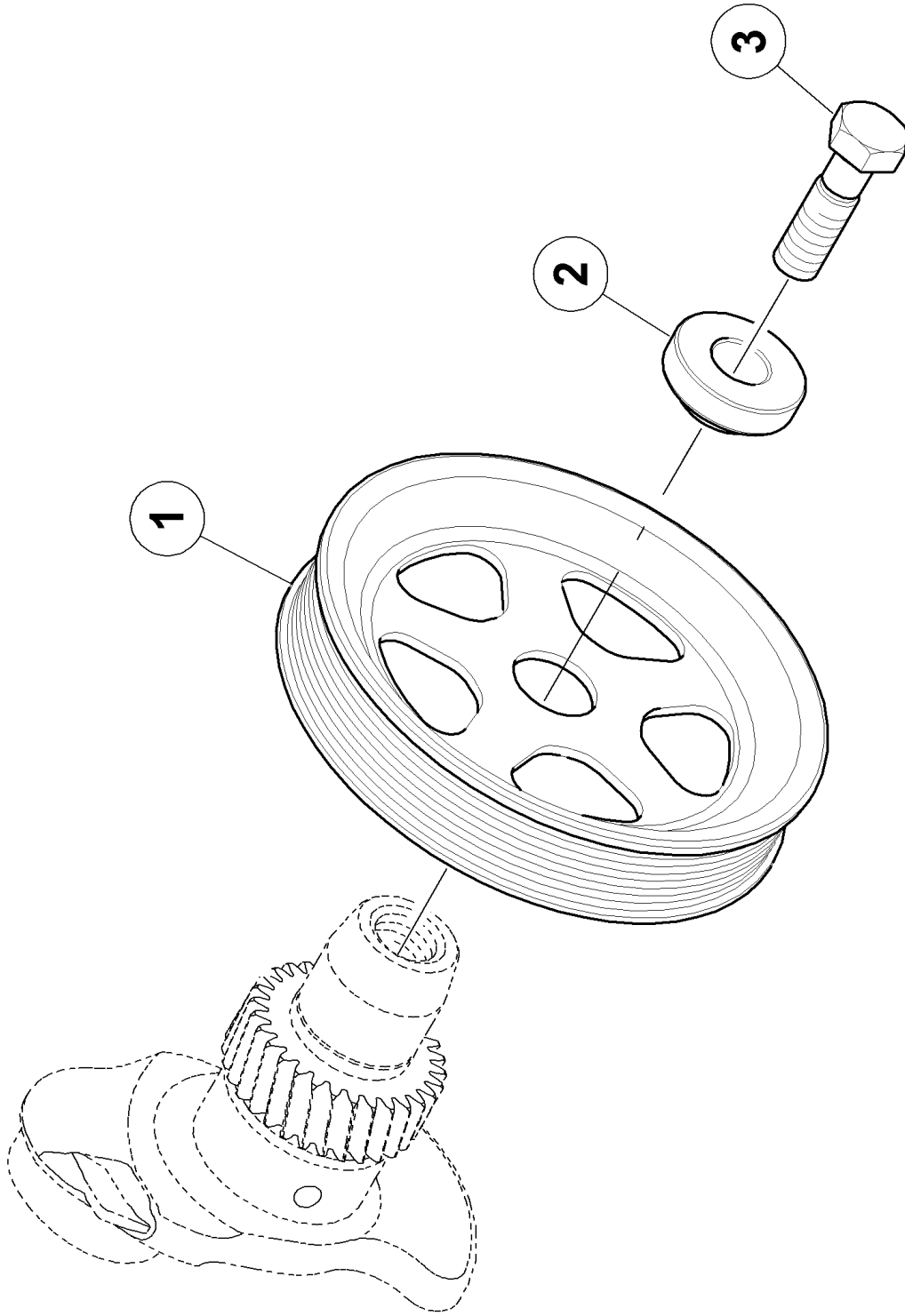
**120 CONNECTING ROD, CONNECTING ROD BEARINGS**

Pos.	Part No.	Description	Dimension	Quantity	Conditions
1	<b>60 0502 453 6</b>	CONNECTING ROD		4	
2	<b>60 0502 453 7</b>	SCREW	12 PTS M12 X 1,25 - 61	8	1)
3	<b>60 0502 147 6</b>	RING		4	
4	<b>60 0501 281 4</b>	INNER CIRCLIP		8	
5	<b>60 0502 147 7</b>	AXLE		4	
6	<b>60 0502 147 8</b>	BEARING		4	
6	<b>60 0502 147 9</b>	BEARING		4	2)
<b>1)</b>	<b>Remarks</b>	A=61mm			
<b>2)</b>	<b>Remarks</b>	-0,254mm			



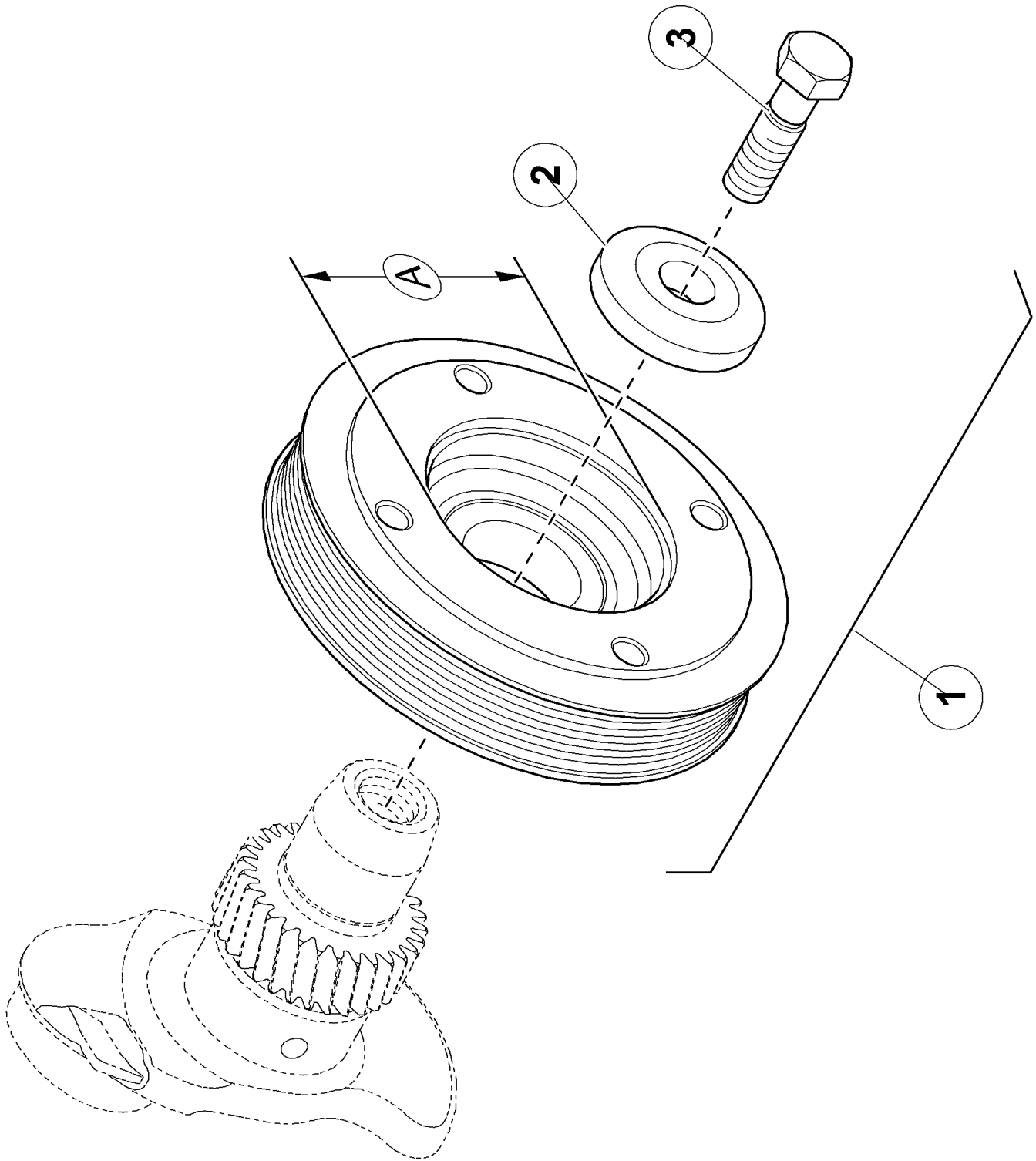
**140 CRANKSHAFT**

<b>Pos.</b>	<b>Part No.</b>	<b>Description</b>	<b>Dimension</b>	<b>Quantity</b>	<b>Conditions</b>
1	<b>60 0503 090 7</b>	CRANKSHAFT		1	
2	<b>60 0501 317 4</b>	CENTRING PIN		1	
3	<b>60 0501 279 0</b>	SHAFT SEAL	118X146X15	1	
4	<b>60 0502 148 1</b>	BEARING		1	
4	<b>60 0502 148 2</b>	BEARING		1	1)
5	<b>60 0502 148 3</b>	BEARING		4	
5	<b>60 0502 148 4</b>	BEARING		4	1)
6	<b>60 0502 148 5</b>	WHEEL		1	2)
7	<b>60 0502 151 0</b>	KEY		1	
8	<b>60 0502 869 8</b>	WHEEL		1	
9	<b>60 0503 024 7</b>	SEALING RING		1	
<b>1)</b>	<b>Remarks</b>		-0.254mm		
<b>2)</b>	<b>Remarks</b>		30 dents		



**161 CRANKSHAFT PULLEY WHEEL 1)**

Pos.	Part No.	Description	Dimension	Quantity	Conditions
1	<b>60 0503 052 4</b>	CRANKSHAFT PULLEY		1	
2	<b>60 0503 052 5</b>	WASHER		1	
3	<b>60 0502 866 8</b>	SCREW	M20X70	1	
<b>1)</b>	<b>Equipment</b>				
		0D0060	W/OUT FR LIFTING AND PTO		
		0D0073	FR LIFTING 2.8T		
		0D0074	FR LIFTING 3.8T		

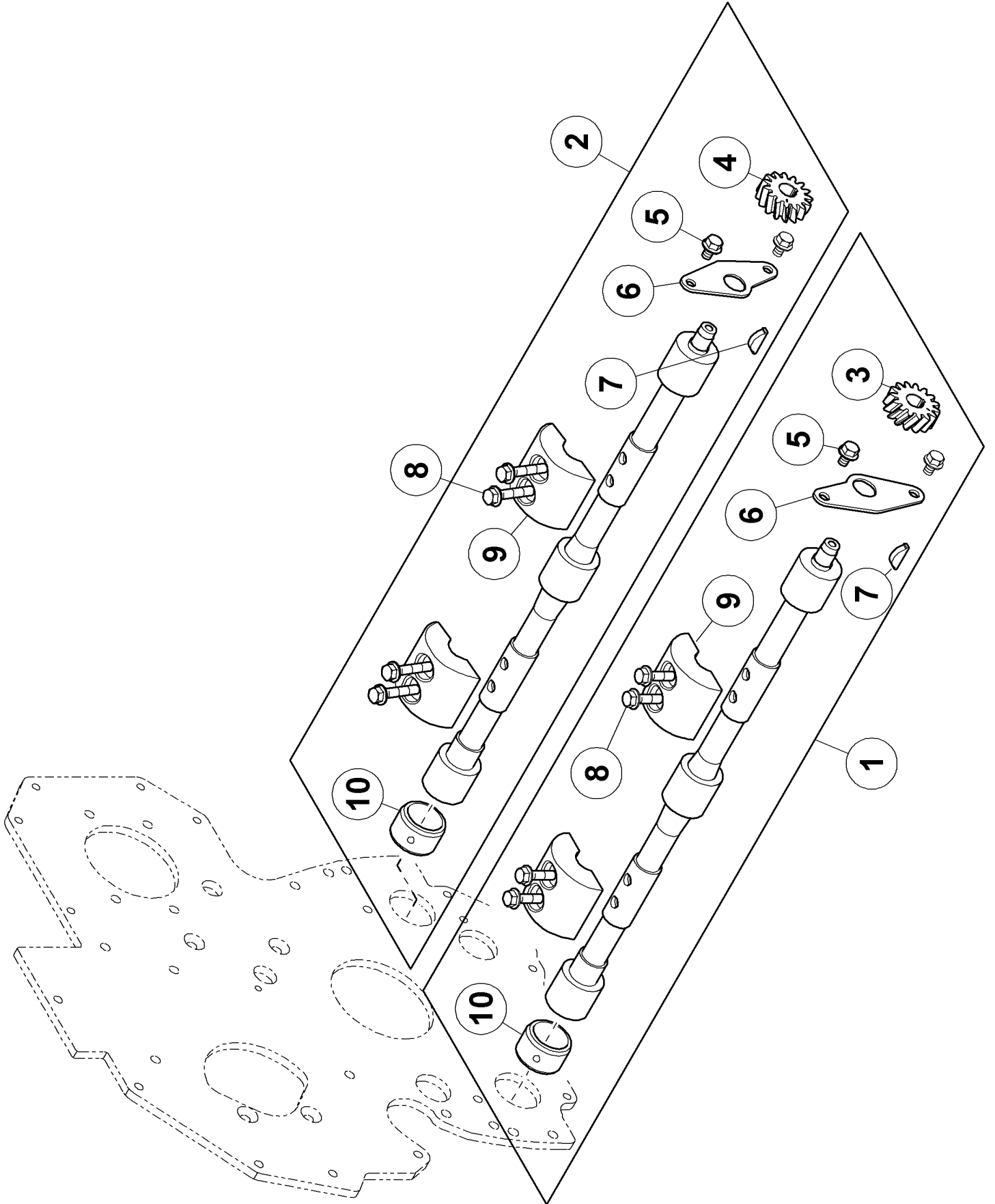


**161 CRANKSHAFT PULLEY WHEEL 1)**

Pos.	Part No.	Description	Dimension	Quantity	Conditions
1	<b>77 0007 384 1</b>	CRANKSHAFT PULLEY		1	
2	<b>60 0503 091 1</b>	WASHER		1	
3	<b>60 0502 866 8</b>	SCREW	M20X70	1	

**1) Equipment**

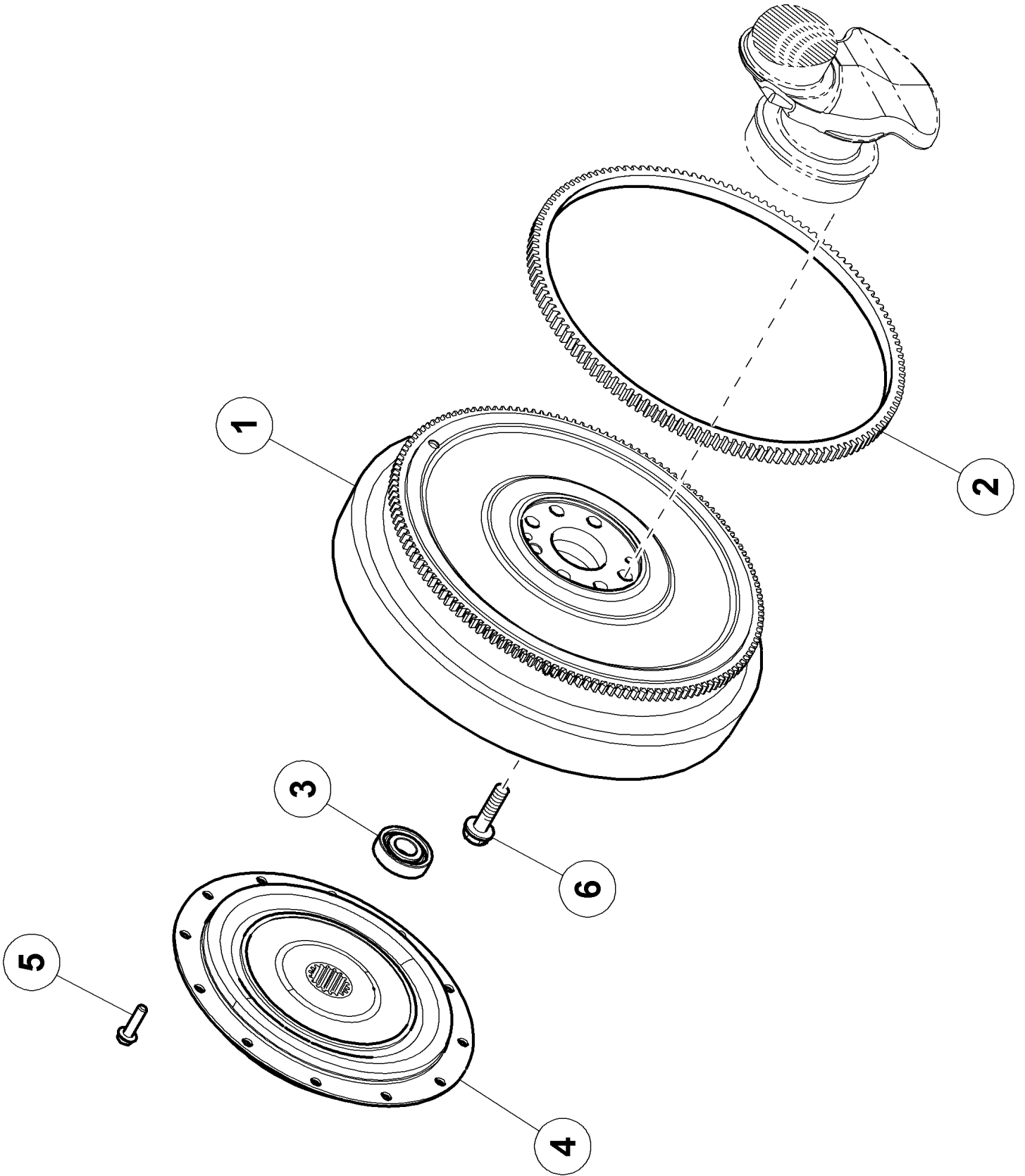
0D0071	FR PTO CW
0D0072	SAH FR PTO
0D0075	FR LIFT 2.8T+SH PTO
0D0076	FR LIFT 3.8T+SH PTO
0D0077	FR LIFT 2.8T+SAH PTO
0D0078	FR LIFT 3.8T+SAH PTO



**200 MASS BALANCING**

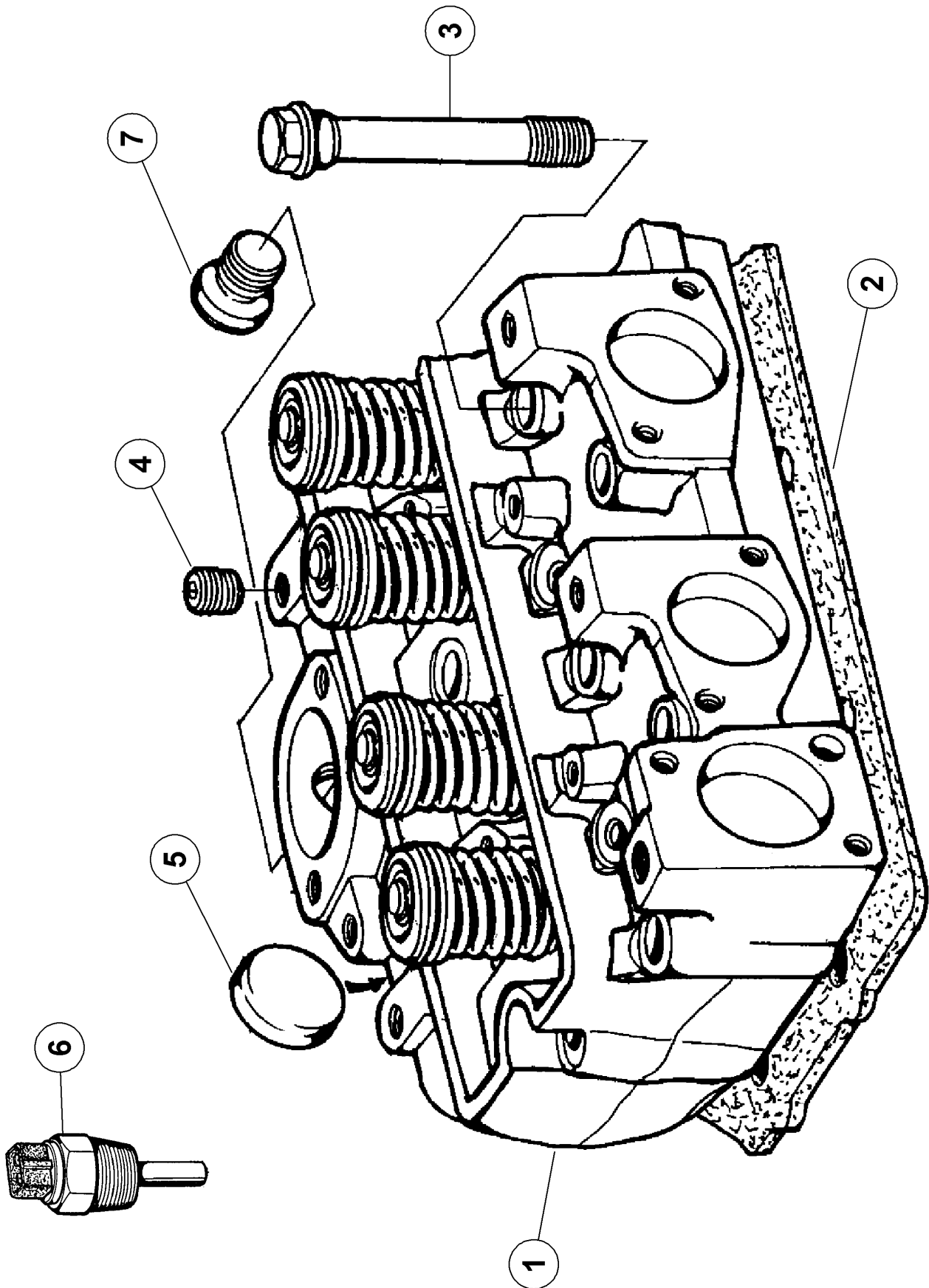
<b>Pos.</b>	<b>Part No.</b>	<b>Description</b>	<b>Dimension</b>	<b>Quantity</b>	<b>Conditions</b>
1	<b>60 0502 594 0</b>	SHAFT		1	1)
2	<b>60 0502 594 1</b>	SHAFT		1	2)
3	<b>60 0502 594 2</b>	WHEEL		1	3)
4	<b>60 0502 594 3</b>	WHEEL		1	4)
5	<b>60 0502 594 5</b>	SCREW		4	
6	<b>FA-NFP</b>	NFP - CS		2	
7	<b>60 0502 148 6</b>	KEY		2	
8	<b>60 0502 594 7</b>	SCREW	M8X40	8	
9	<b>60 0502 594 6</b>	FLYWEIGHT		4	
10	<b>60 0502 593 1</b>	RING		6	

<b>1) Remarks</b>	D.
<b>2) Remarks</b>	G.
<b>3) Remarks</b>	D. 15Dts.
<b>4) Remarks</b>	G. 15Dts.



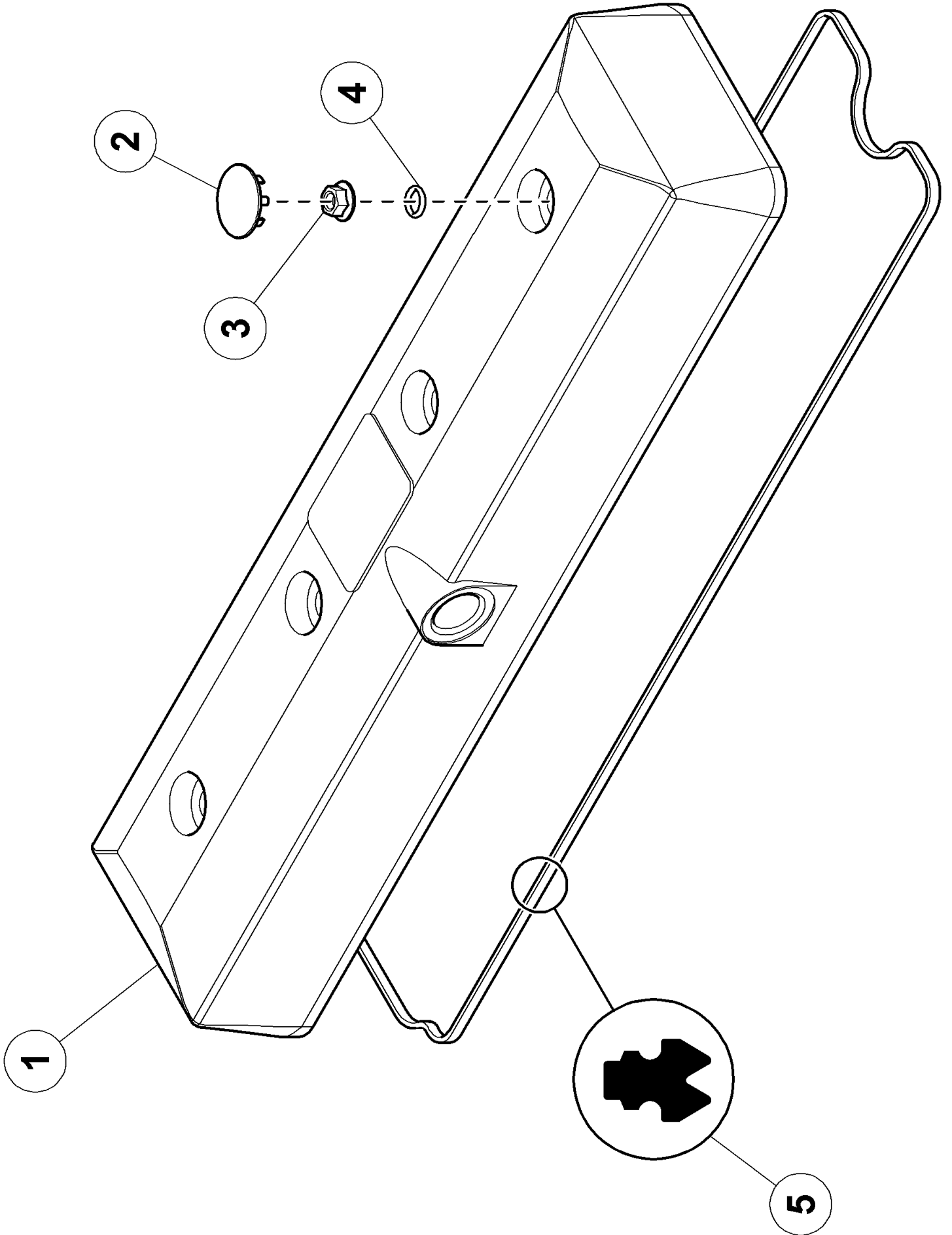
**220 FLYWHEEL**

<b>Pos.</b>	<b>Part No.</b>	<b>Description</b>	<b>Dimension</b>	<b>Quantity</b>	<b>Conditions</b>
1	<b>77 0007 132 9</b>	FLYWHEEL		1	
2	<b>77 0004 728 5</b>	TOOTHED RIM		1	
3	<b>77 0103 068 6</b>	BEARING-1 BALL	6305-2RS	1	1)
4	<b>77 0006 716 1</b>	TORSION DAMPER		1	
5	<b>77 0005 997 8</b>	HEXAGON HEAD BOLT	M10X40	8	2)
6	<b>60 0502 625 8</b>	SCREW	12 X 1,75 -37 - M12X40	4	3)
<b>1)</b>	<b>Remarks</b>	25X62X17			
<b>2)</b>	<b>Remarks</b>	HM10X150-40EMB			
<b>3)</b>	<b>Remarks</b>	HM12X175-38			



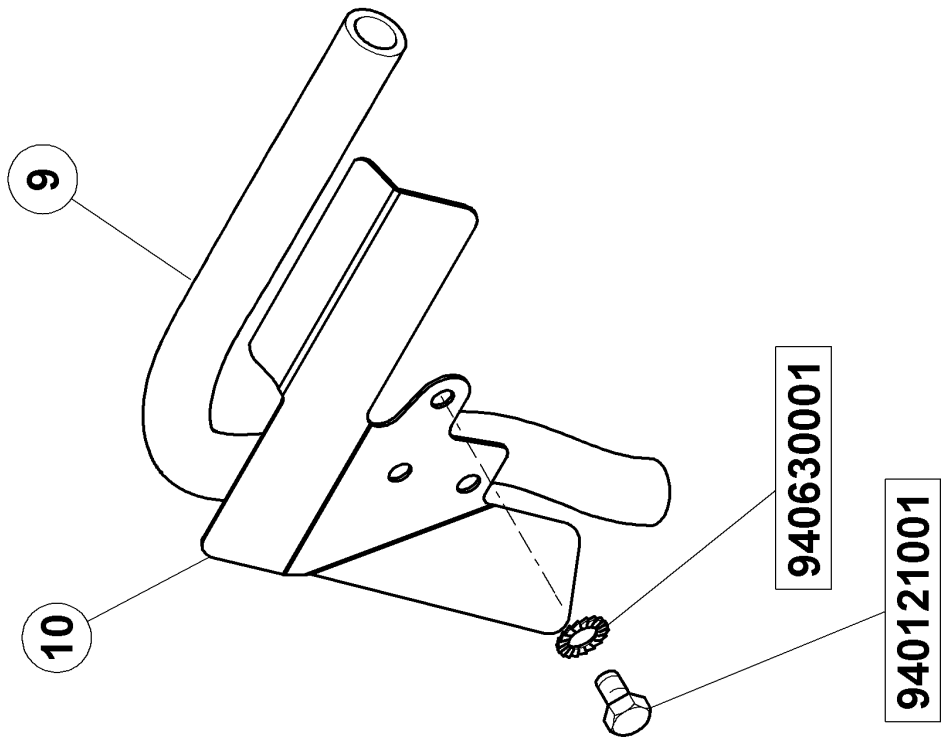
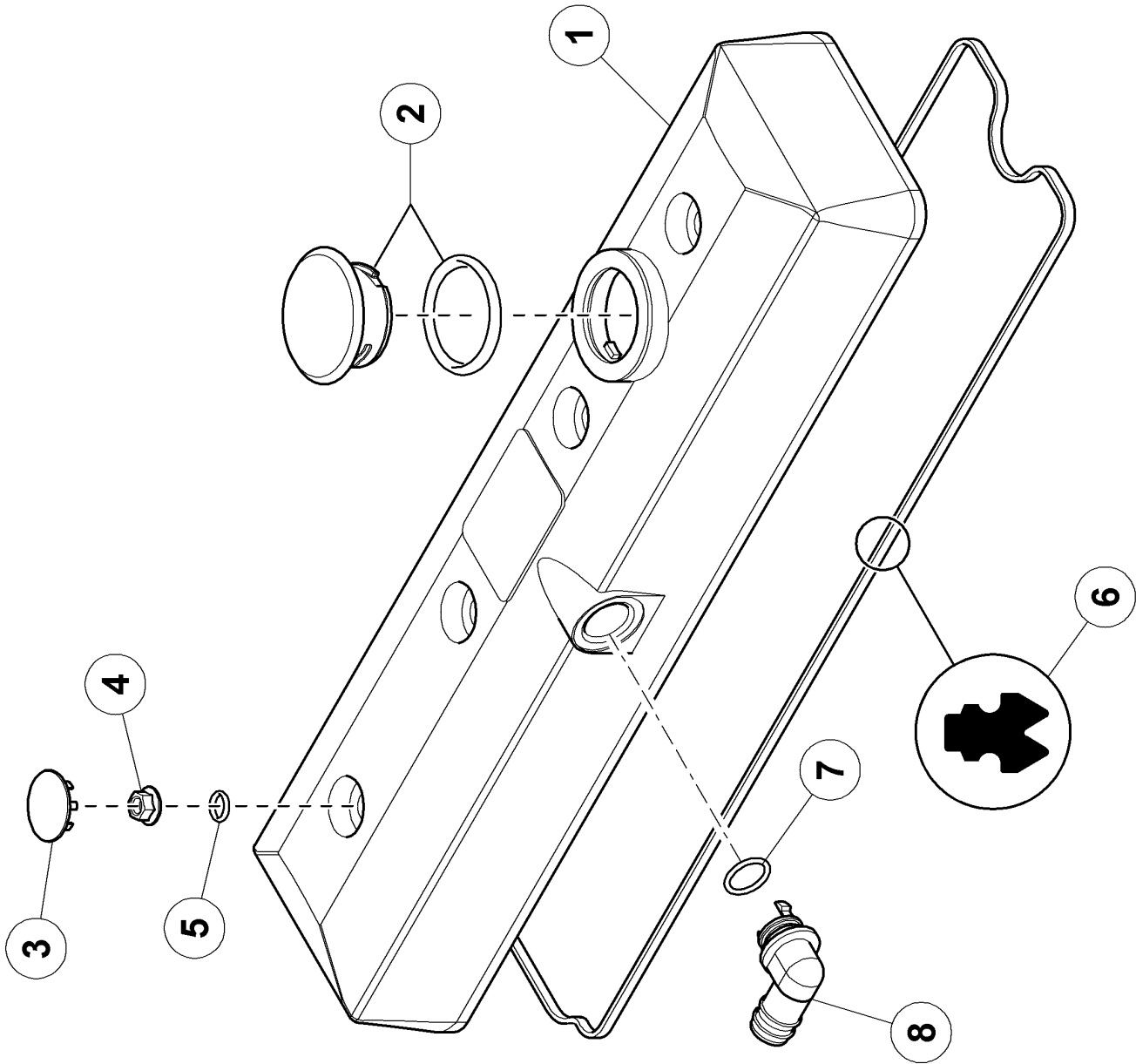
**100 CYLINDER HEAD**

<b>Pos.</b>	<b>Part No.</b>	<b>Description</b>	<b>Dimension</b>	<b>Quantity</b>	<b>Conditions</b>
1	<b>60 0502 594 8</b>	CYLINDER HEAD		1	
2	<b>60 0502 594 9</b>	CYLINDER HEAD GASKET		1	
3	<b>60 0501 288 6</b>	SCREW		18	
4	<b>60 0502 144 0</b>	LOCK		1	
5	<b>60 0501 288 3</b>	LOCK		1	
5	<b>60 0502 149 2</b>	PLUG		2	
6	<b>60 0501 344 2</b>	SENDER UNIT		1	
7	<b>60 0501 591 9</b>	PLUG		1	



**120 CYLINDER HEAD COVER**

<b>Pos.</b>	<b>Part No.</b>	<b>Description</b>	<b>Dimension</b>	<b>Quantity</b>	<b>Conditions</b>
1	<b>FA-CONSIGN ES</b>	Consignes - CS		1	
2	<b>60 0502 134 4</b>	PLUG		4	
3	<b>60 0502 149 4</b>	FLANGE NUT		4	
4	<b>60 0502 134 7</b>	O-RING	W.ERS. D. 0219 147.0	1	
5	<b>60 0502 595 1</b>	SEALING RING		1	





**Suggest:**

**For more complete manuals. Please go to the home page.**

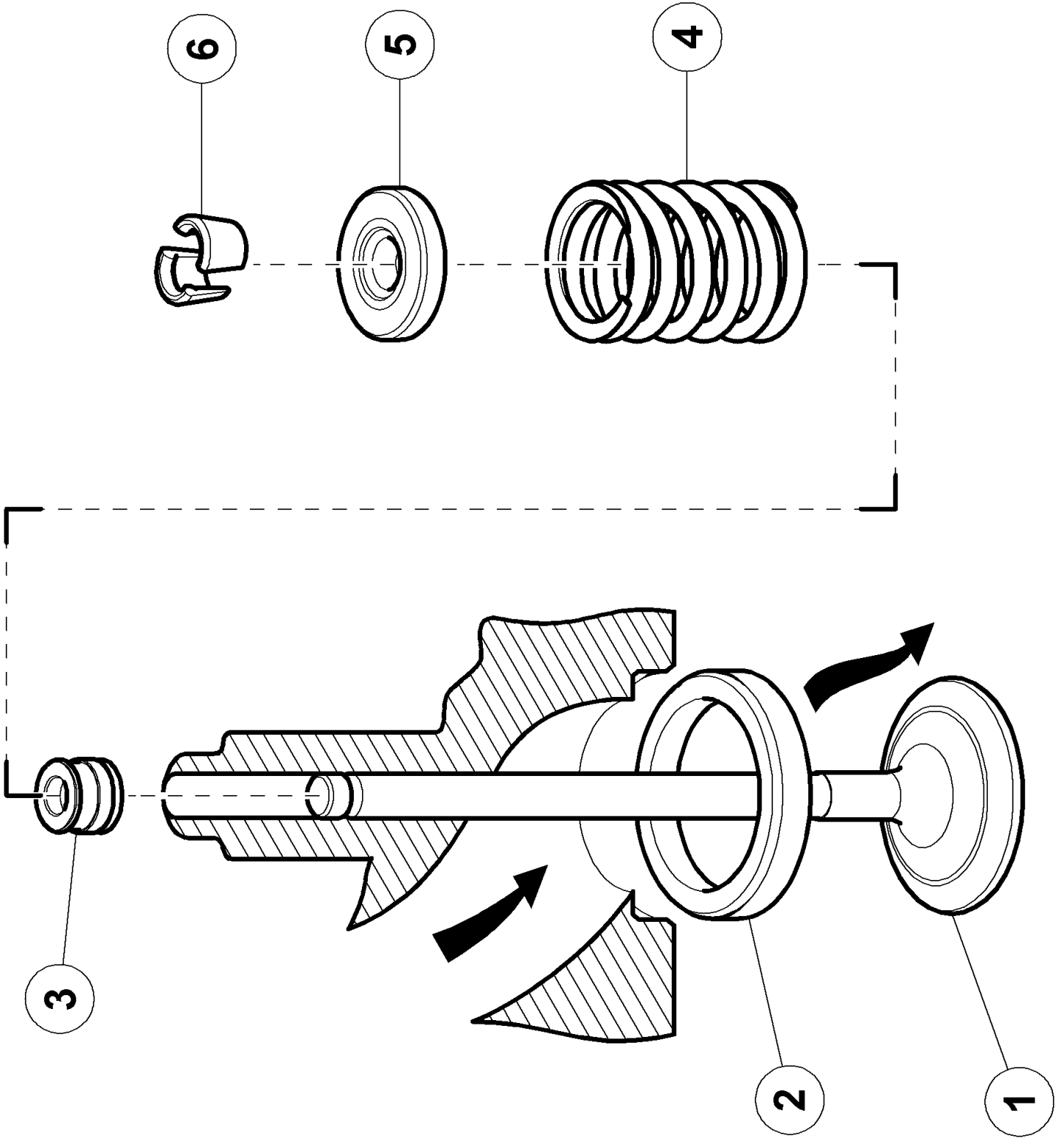
**<https://www.ebooklibonline.com>**

**If the above button click is invalid. Please download this document first, and then click the above link to download the complete manual.**

**Thank you so much for reading**

**120 CYLINDER HEAD COVER**

Pos.	Part No.	Description	Dimension	Quantity	Conditions
1	<b>60 0502 595 0</b>	ROCKER COVER		1	
-		<i>Please order additionally!</i>			
	<i>60 0502 149 5</i>	<i>LOCK</i>		1,000	
2	<b>60 0502 149 5</b>	LOCK		1	
3	<b>60 0502 134 4</b>	PLUG		4	
4	<b>60 0502 149 4</b>	FLANGE NUT		4	
5	<b>60 0502 134 7</b>	O-RING	W.ERS. D. 0219 147.0	4	
6	<b>60 0502 595 1</b>	SEALING RING		1	
7	<b>60 0500 901 5</b>	O-RING		1	
8	<b>60 0503 026 5</b>	SCREWING		1	
9	<b>60 0502 150 0</b>	HOSE		1	
10	<b>00 1105 007 0</b>	DEFLECTOR		1	
94012	<b>77 0310 114 0</b>	SCREW	M 10X16	1	
1001					
94063	<b>79 0305 601 7</b>	WASHER	A10,5	1	
0001					



**140 VALVES**

<b>Pos.</b>	<b>Part No.</b>	<b>Description</b>	<b>Dimension</b>	<b>Quantity</b>	<b>Conditions</b>
1	<b>60 0501 290 8</b>	ENGINE VALVE		4	
1	<b>60 0501 290 9</b>	ENGINE VALVE		4	1)
2	<b>60 0501 291 0</b>	VALVE SEAT		4	
3	<b>60 0501 291 1</b>	SEALING RING		4	
4	<b>60 0501 291 3</b>	SPRING		4	
5	<b>60 0501 291 4</b>	RETAINER		4	
6	<b>60 0501 291 5</b>	HALF-CONE		8	
<b>1)</b>	<b>Remarks</b>		+0,38mm		

**<https://www.ebooklibonline.com>**

Hello dear friend!

Thank you very much for reading.

Enter the link into your browser.

The full manual is available for immediate download.

**<https://www.ebooklibonline.com>**