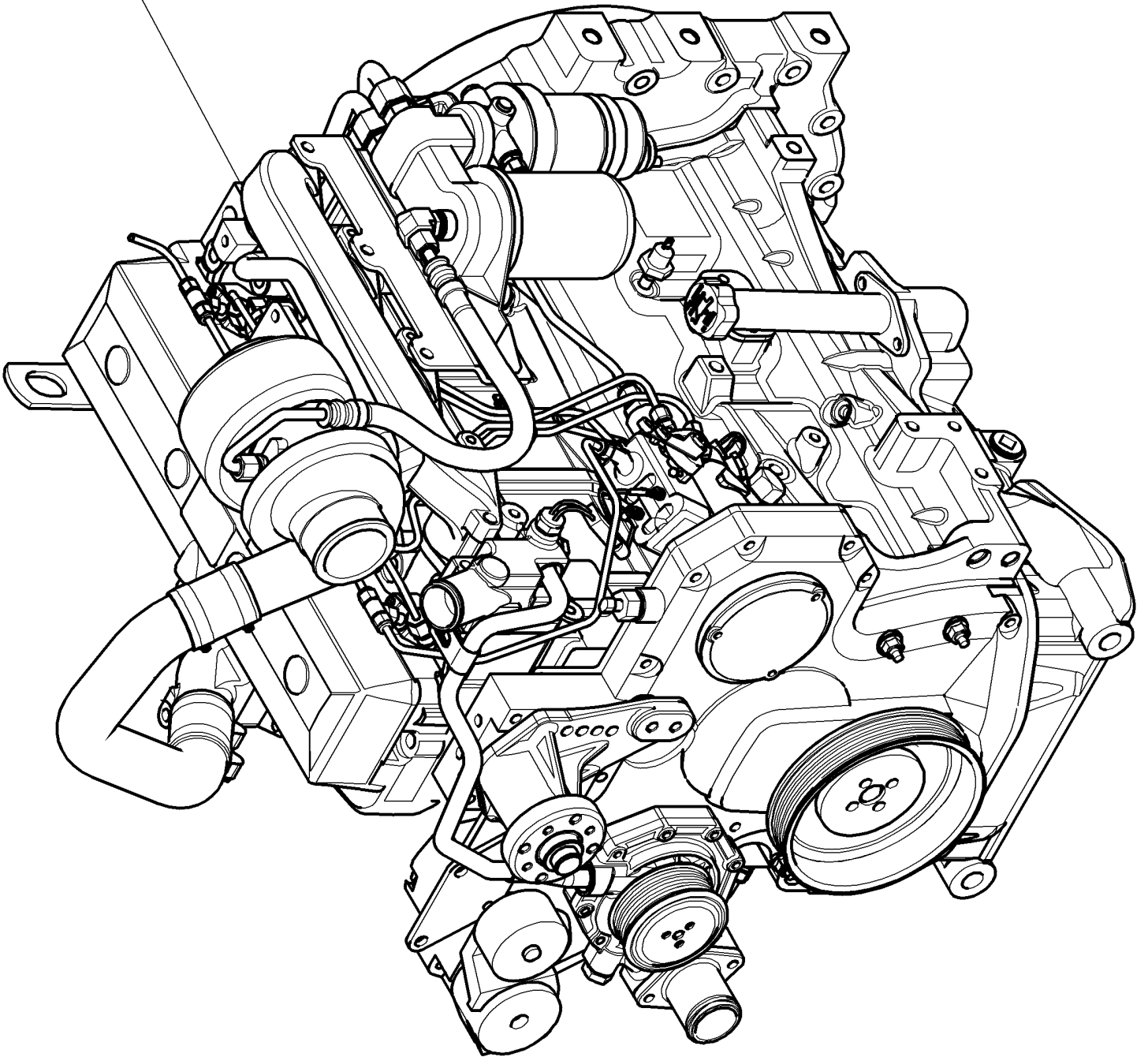
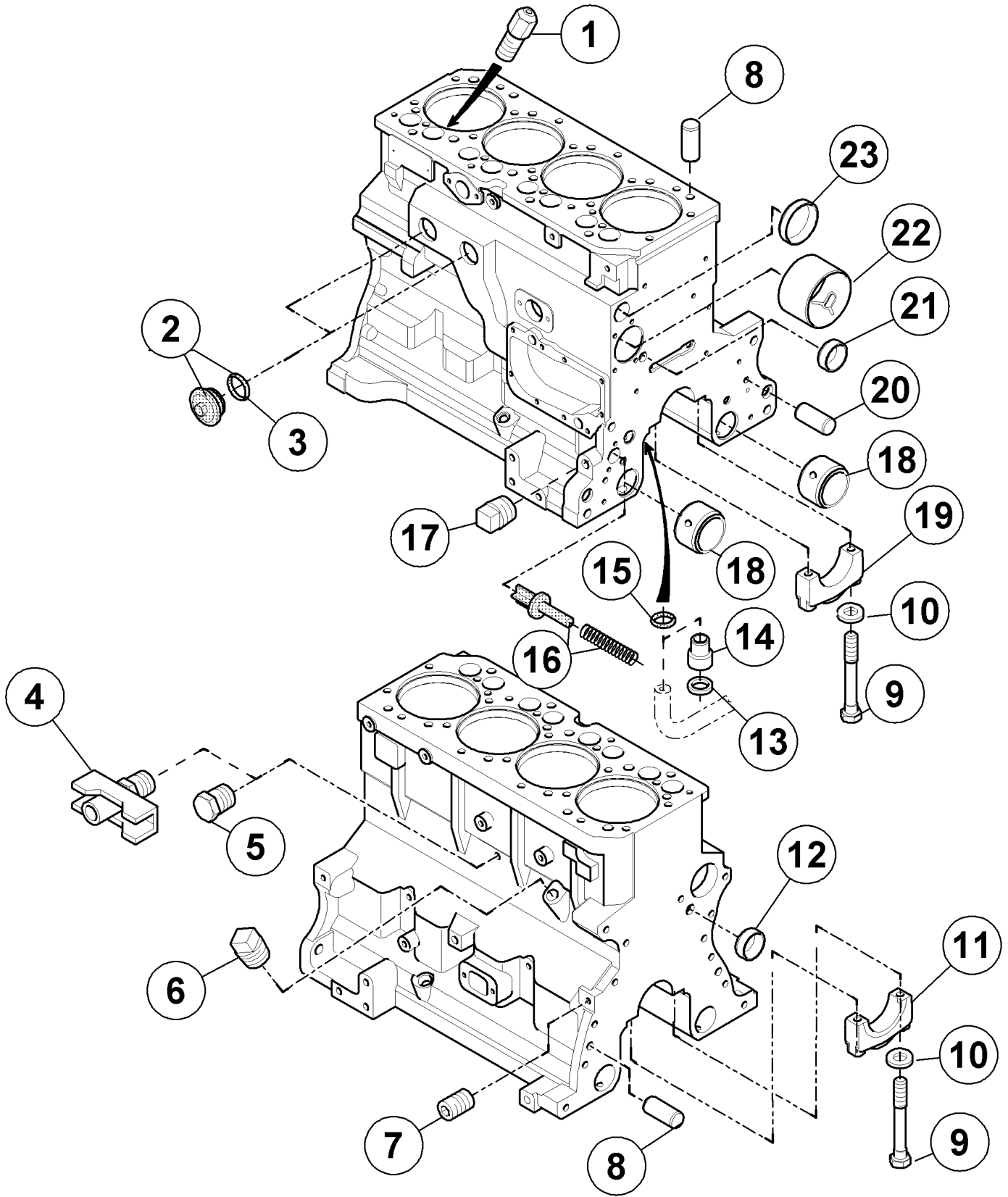


1



010 COMPLETE ENGINE

Pos.	Part No.	Description	Dimension	Quantity	Conditions
1	77 0006 324 0	ENGINE		1	1)
1	77 0006 324 1	ENGINE		1	2)
1	77 0006 324 2	ENGINE		1	3)
1)	Homologationtype			+ 5312	
2)	Homologationtype			+ 5322	
3)	Homologationtype			+ 5332	



<https://www.ebooklibonline.com>

Hello dear friend!

Thank you very much for reading.

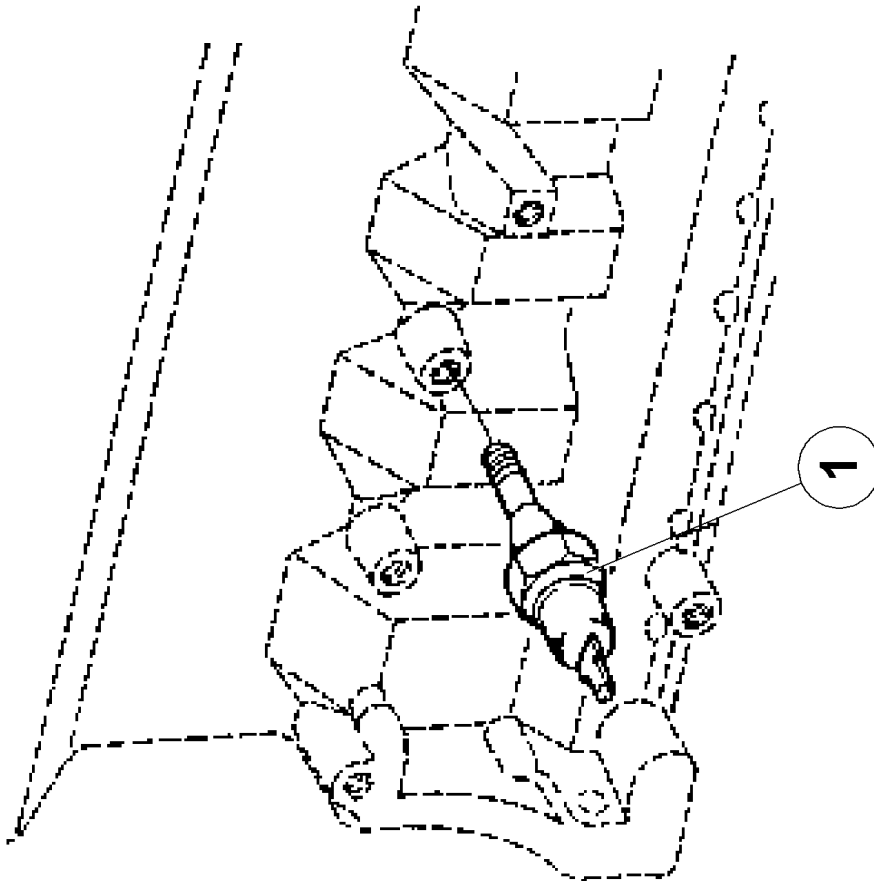
Enter the link into your browser.

The full manual is available for immediate download.

<https://www.ebooklibonline.com>

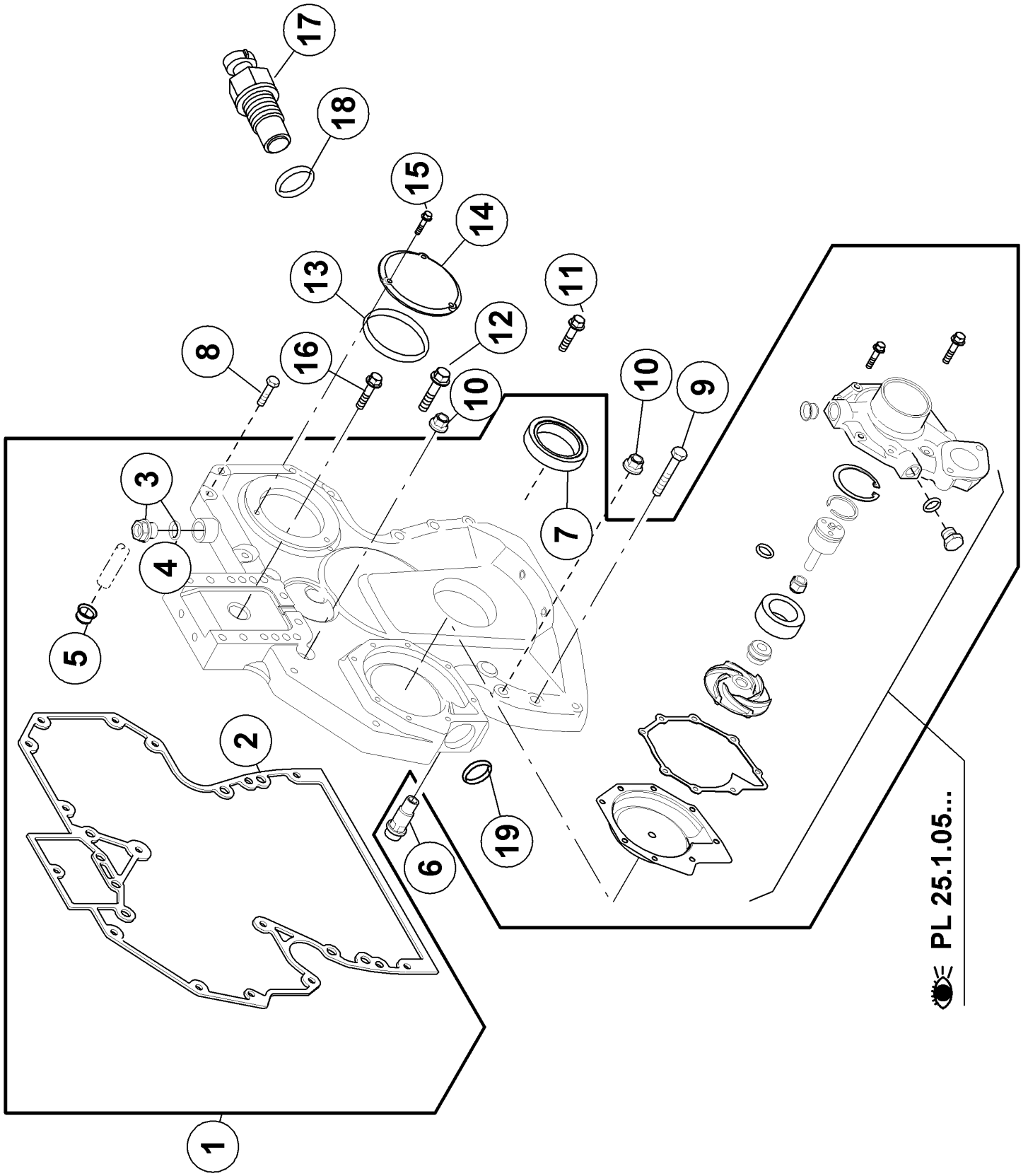
100 CRANKCASE

Pos.	Part No.	Description	Dimension	Quantity	Conditions
1	60 0502 143 6	SPRAY NOZZLE		4	
2	60 0502 339 5	LOCK		2	
3	60 0502 339 4	O-RING		2	
4	60 0501 320 7	VALVE		1	
5	60 0502 665 3	PLUG		1	
6	60 0501 321 0	PLUG		1	
7	60 0502 144 0	LOCK		1	
8	60 0501 317 4	CENTRING PIN		4	
9	60 0501 320 6	SCREW		10	
10	60 0502 143 7	WASHER	13X22X2,5	10	
11	60 0502 144 1	COVER		1	
12	60 0501 319 8	BLANKING COVER		1	
13	60 0501 334 1	O-RING		1	
14	60 0501 597 2	BUSHING		1	
15	60 0501 320 3	O-RING		1	
16	60 0501 402 9	VALVE		1	
17	60 0501 320 2	LOCK		1	
18	60 0502 593 1	RING		6	
19	60 0502 143 8	COVER		4	
20	60 0501 319 6	CENTRING PIN		2	
21	60 0501 319 8	BLANKING COVER		1	
22	60 0501 294 1	BEARING		1	
23	60 0502 143 9	BLANKING COVER		1	



100 CRANKCASE

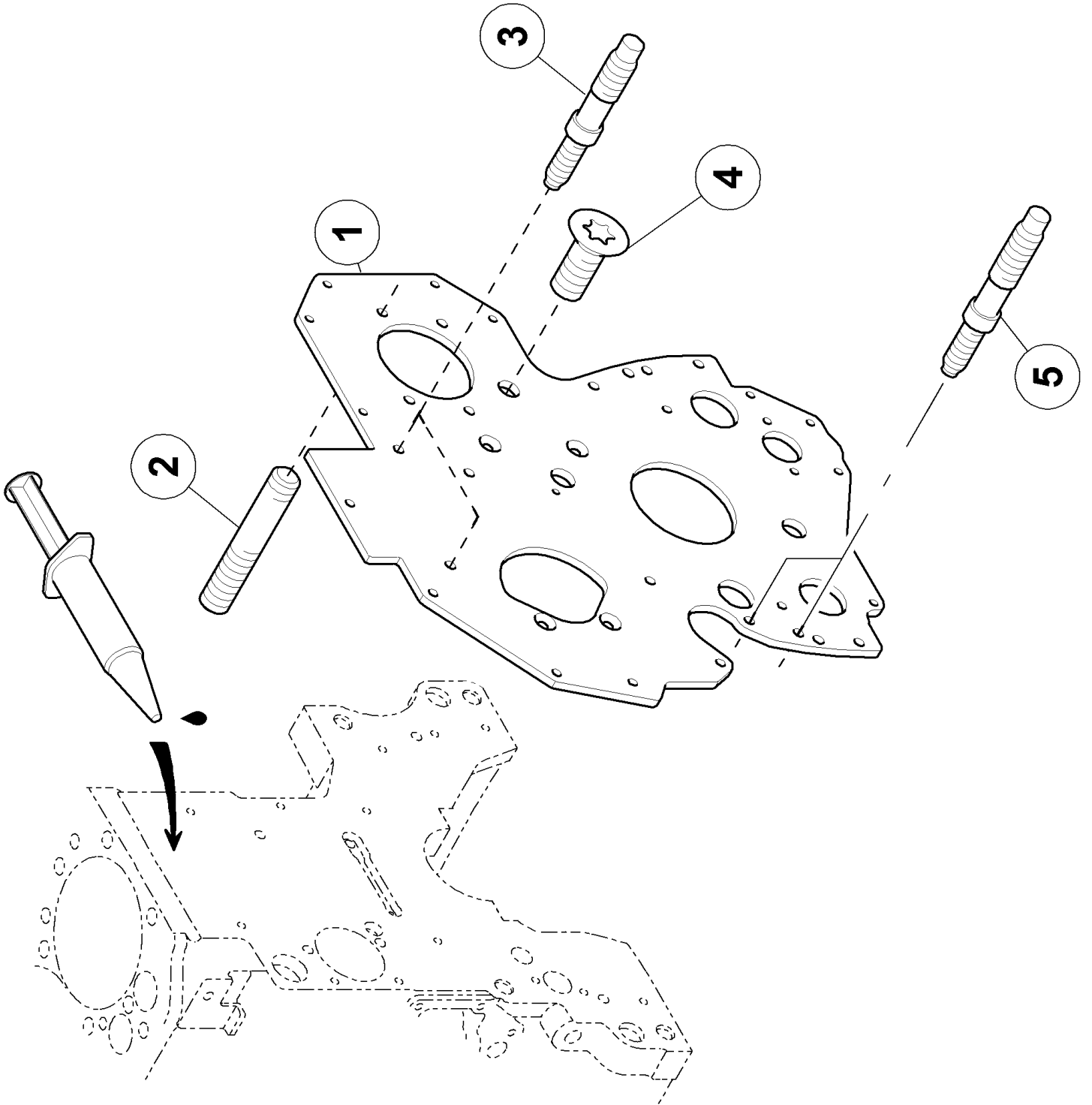
Pos.	Part No.	Description	Dimension	Quantity	Conditions
1	60 0501 342 7	TRANSMITTER		1	



PL 25.1.05...

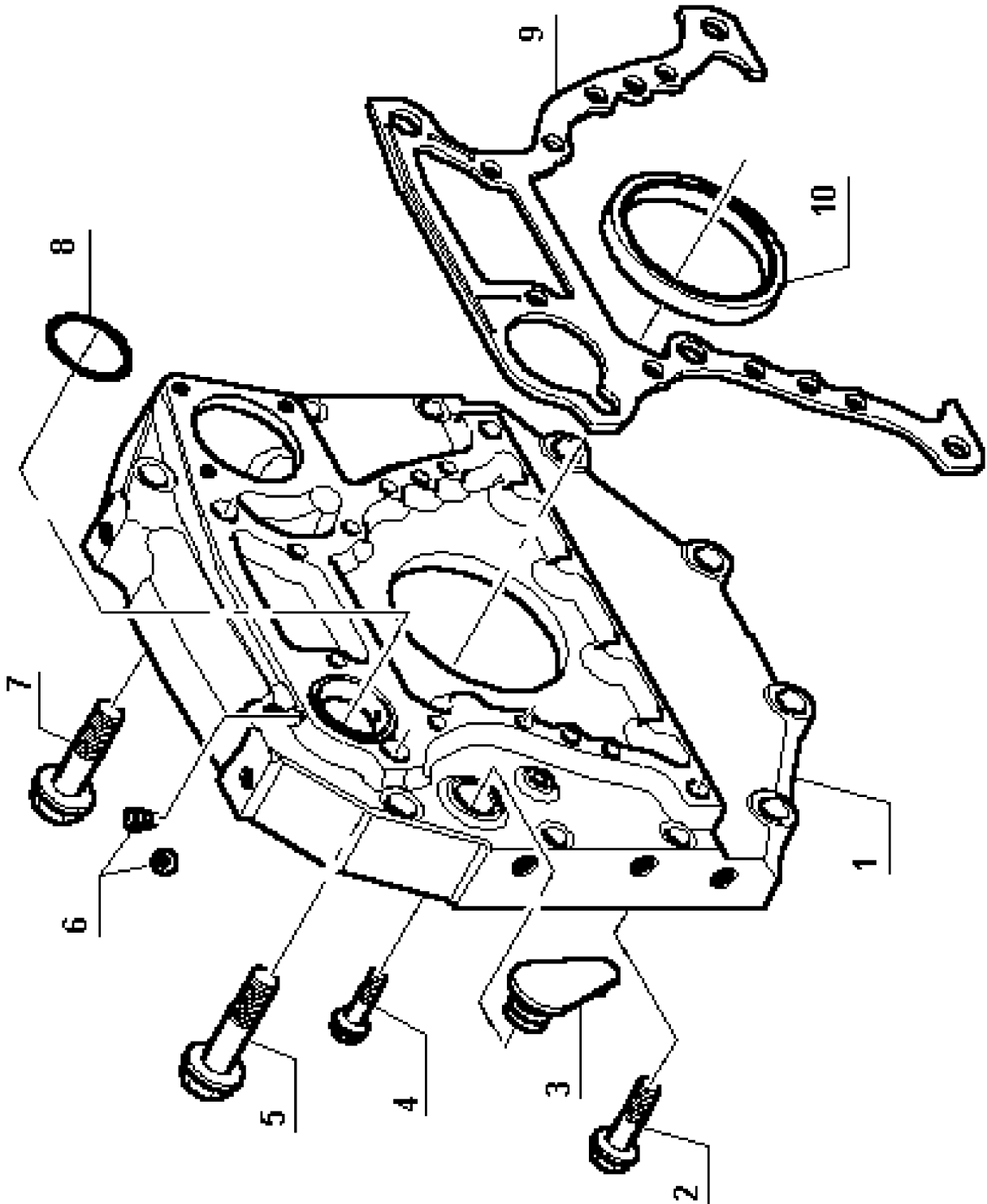
120 TIMING CASE

Pos.	Part No.	Description	Dimension	Quantity	Conditions
1	60 0502 869 0	HOUSING		1	
2	60 0502 144 3	GASKET		1	
3	60 0502 895 5	SCREW PLUG	F-M20X1,5	1	
4	77 0002 464 6	O-RING	17X2-N ERS.D. 0238209.0	1	
5	60 0502 163 0	SEALING RING		1	
6	60 0502 869 1	VALVE		1	
7	60 0503 024 7	SEALING RING		1	
8	60 0502 144 5	SCREW	M8X45	6	
9	60 0502 145 8	SCREW		2	
10	60 0502 144 9	NUT		6	
11	60 0502 145 0	SCREW	M08X60	1	
12	60 0502 339 6	SCREW		1	
13	60 0502 144 6	O-RING		1	
14	60 0502 144 7	COVER		1	
15	60 0502 144 8	SCREW	M6X16	3	
16	60 0502 144 4	SCREW	M8X35	1	
17	77 0007 199 7	SENSOR		1	1)
18	77 0002 464 6	O-RING	17X2-N ERS.D. 0238209.0	1	
1)	Remarks	vitesse mot.			



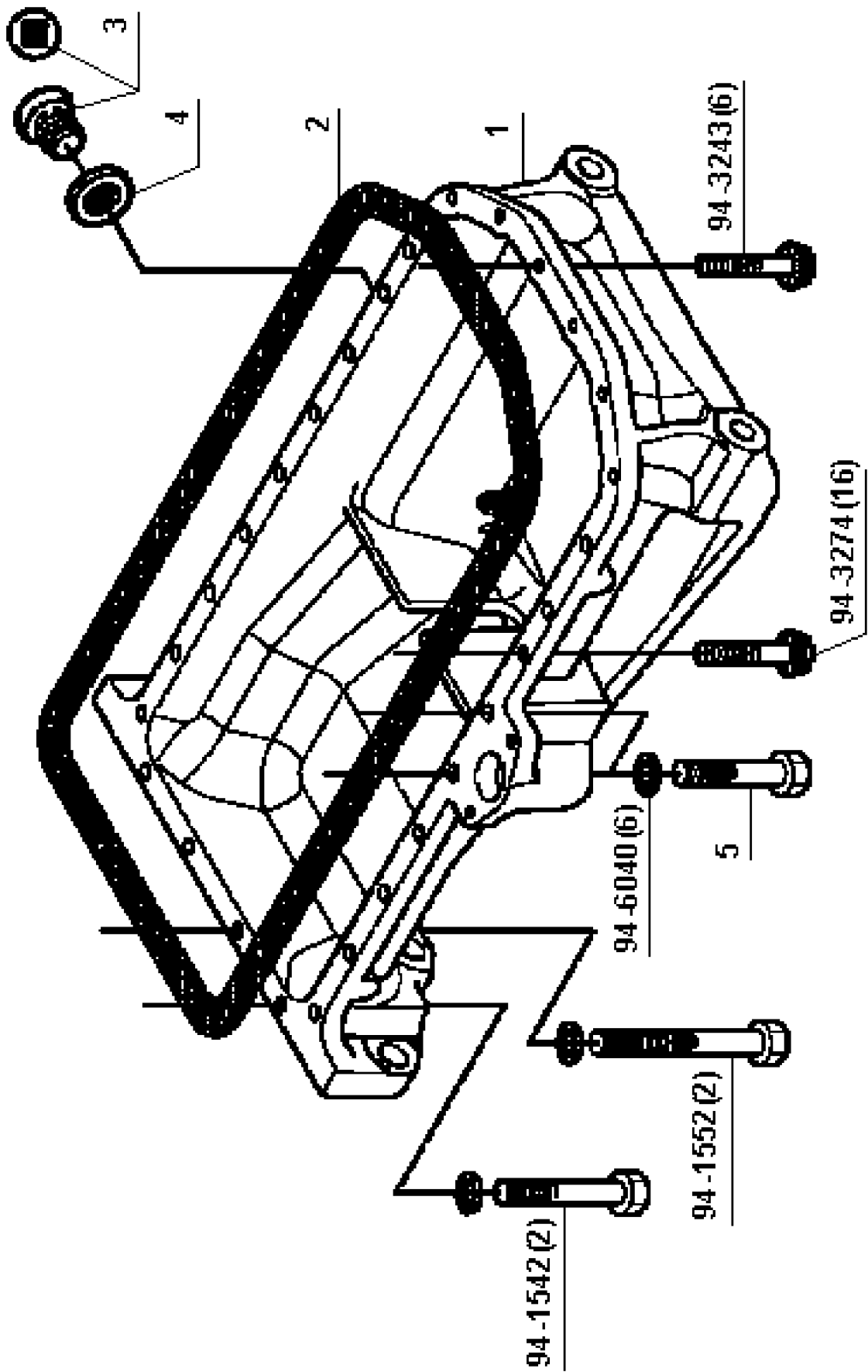
120 TIMING CASE

Pos.	Part No.	Description	Dimension	Quantity	Conditions
1	60 0502 145 2	PLATE		1	
2	60 0502 145 5	STUD BOLT		3	
3	60 0502 339 8	STUD BOLT		2	
4	60 0502 339 7	SCREW		4	
5	60 0502 145 7	STUD BOLT		4	



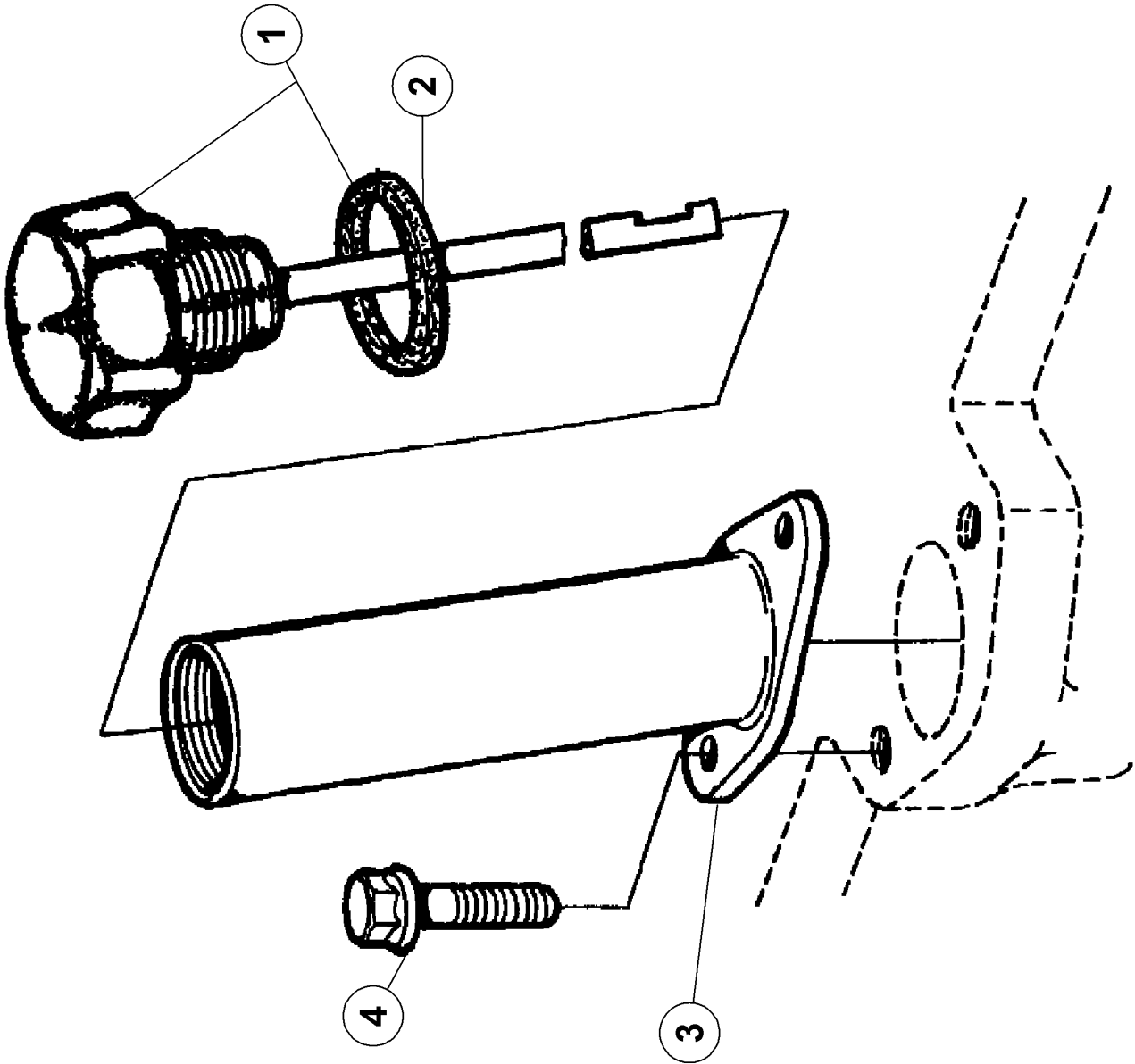
140 FLYWHEEL HOUSING

Pos.	Part No.	Description	Dimension	Quantity	Conditions
1	60 0502 665 6	HOUSING		1	
2	60 0502 777 3	SCREW	M16X60	2	
3	60 0501 611 6	BLANKING COVER		1	
4	60 0502 146 7	SCREW	M12X40	8	
5	60 0502 777 3	SCREW	M16X60	1	
6	60 0502 146 4	LOCK		1	
7	60 0502 146 5	SCREW		1	
8	60 0501 604 9	O-RING		1	
9	77 0005 577 1	GASKET		1	
10	60 0501 279 0	SHAFT SEAL	118X146X15	1	



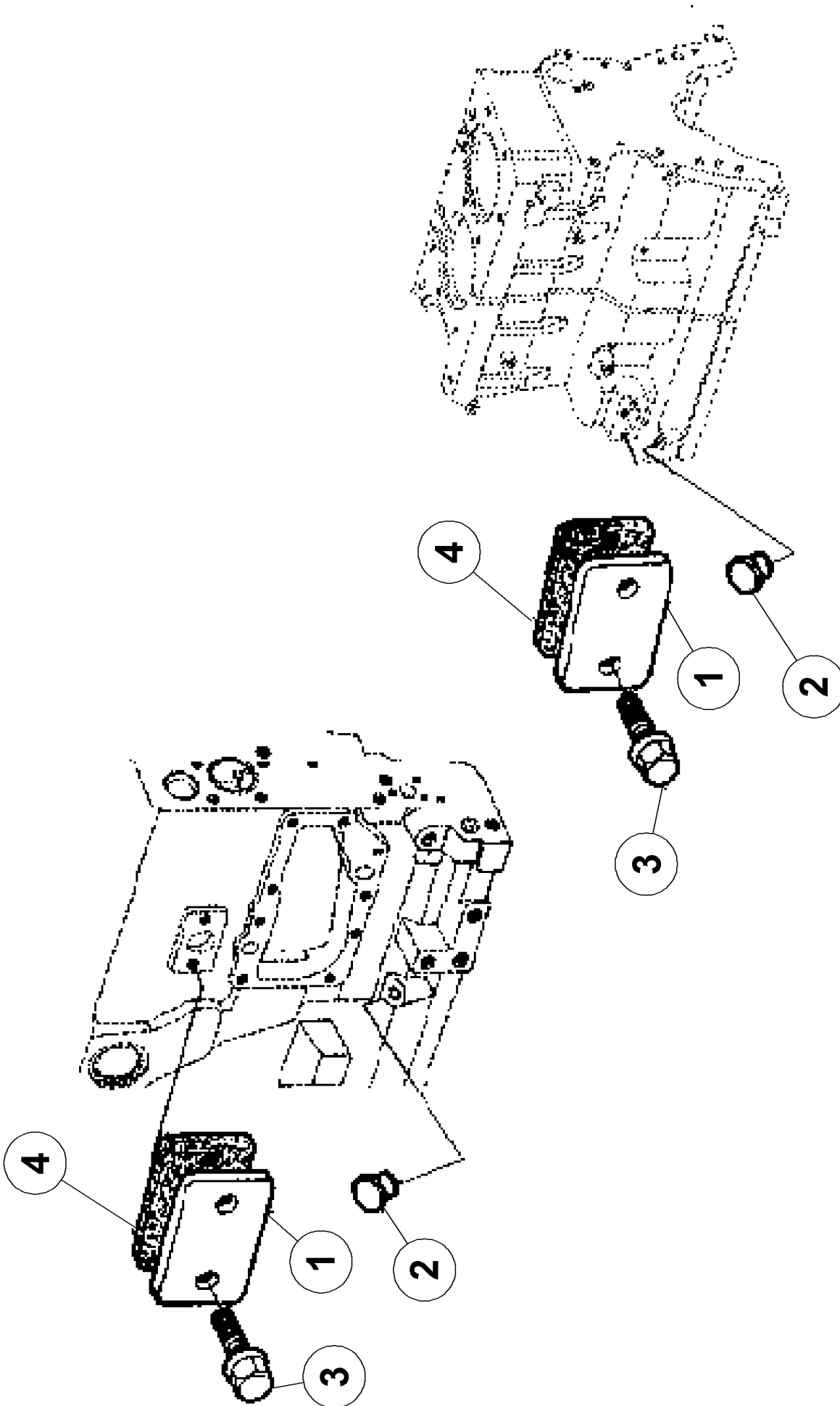
160 OIL PAN

Pos.	Part No.	Description	Dimension	Quantity	Conditions
1	60 0502 665 7	OIL SUMP		1	
2	60 0502 625 1	GASKET		1	
3	60 0501 279 3	LOCK		1	
4	60 0501 211 0	GASKET		1	
5	60 0502 147 1	SCREW		2	



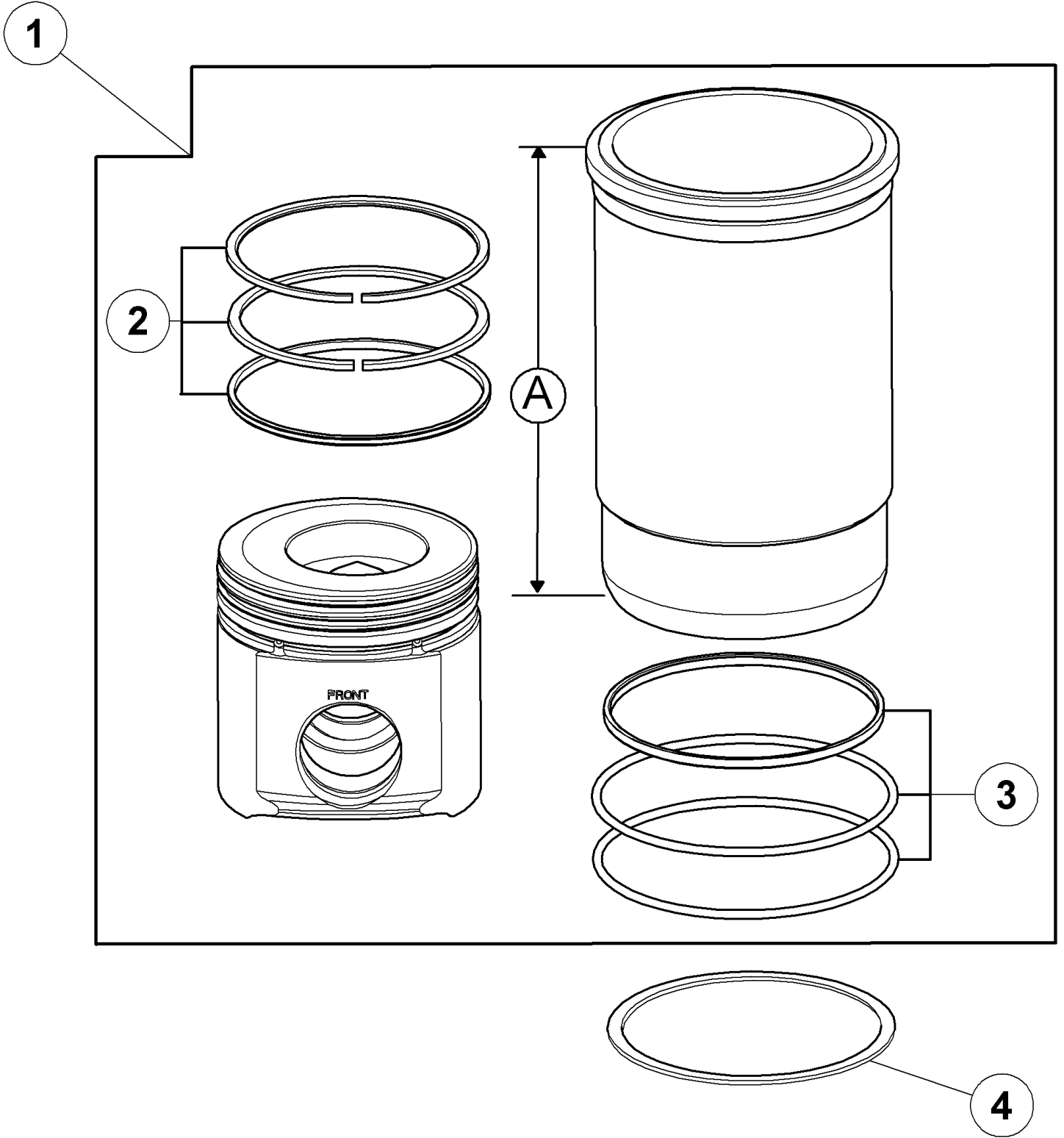
160 OIL PAN

Pos.	Part No.	Description	Dimension	Quantity	Conditions
1	60 0501 361 0	GAUGE		1	
2	60 0501 334 6	O-RING		1	
3	60 0502 942 0	TUBE		1	
4	60 0502 145 6	SCREW	M8X25	2	



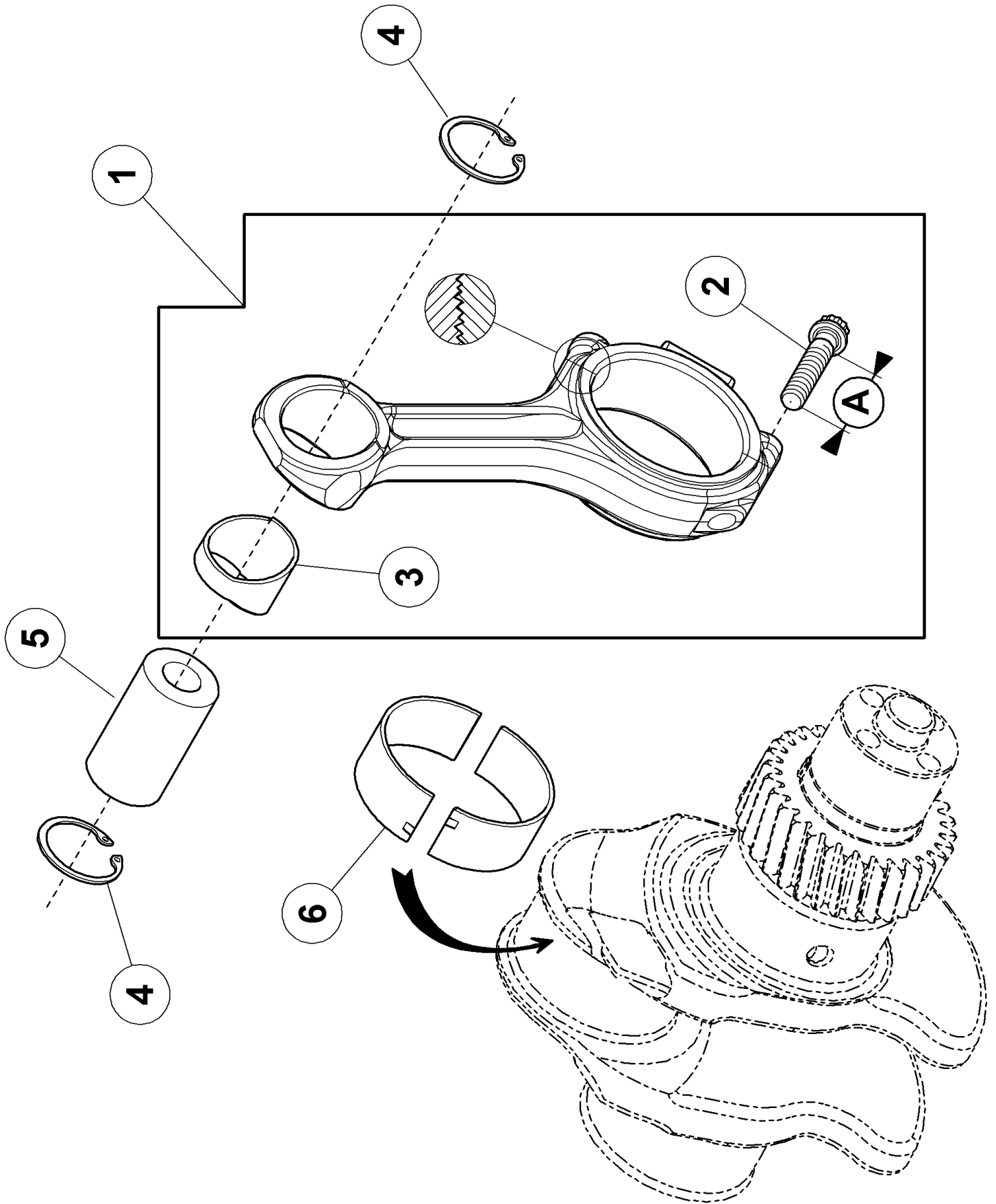
180 PLUGS

Pos.	Part No.	Description	Dimension	Quantity	Conditions
1	60 0502 470 2	PLATE		2	
2	60 0502 662 4	PLUG		2	
3	60 0502 149 8	SCREW	M8X20	4	
4	60 0502 470 4	GASKET		2	



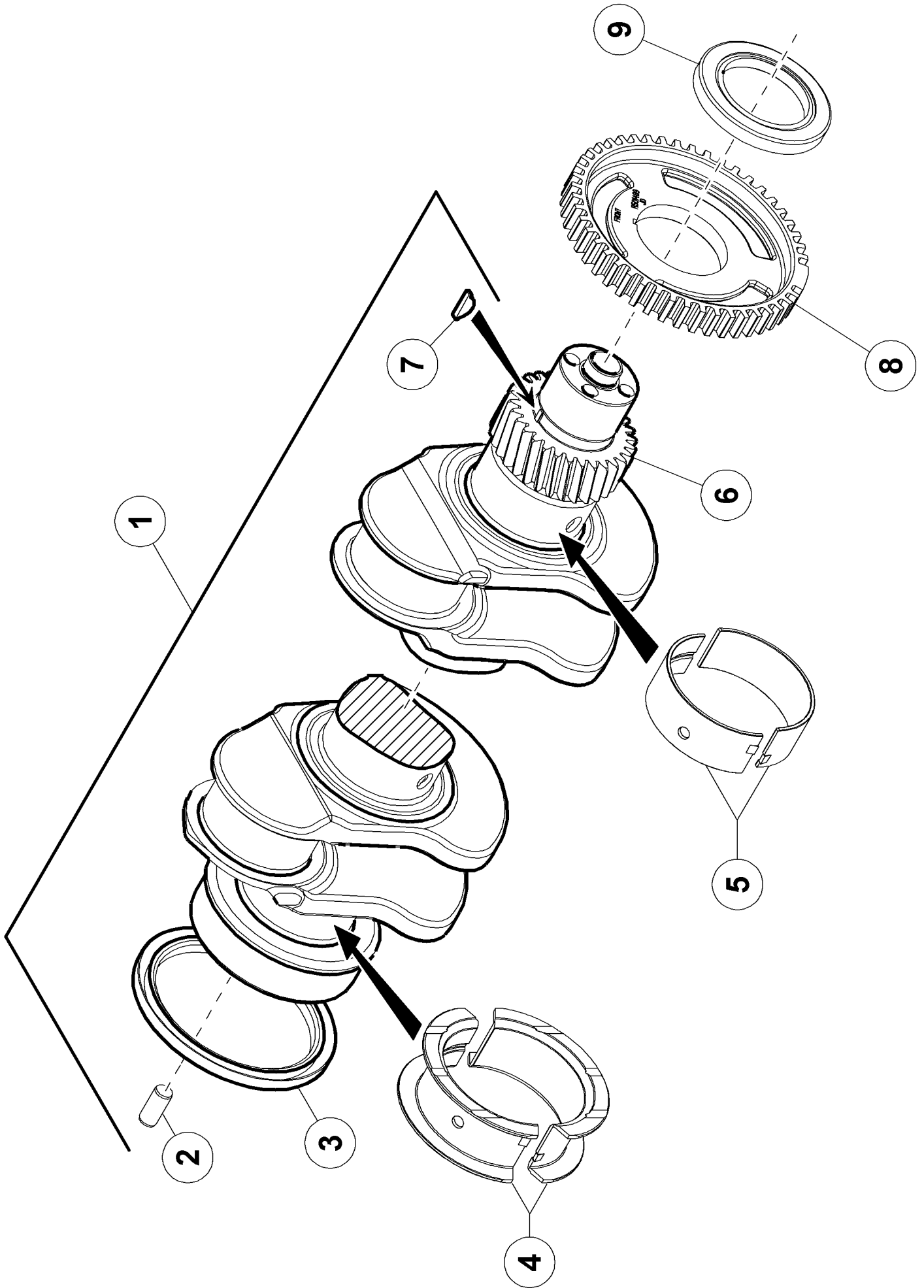
100 CYLINDER LINER, PISTON

Pos.	Part No.	Description	Dimension	Quantity	Conditions
1	60 0502 869 4	PISTON-LINER		4	
2	60 0502 869 5	SET OF PISTON RINGS		4	
3	60 0501 280 9	SEALING RING SET		4	
4	60 0501 281 5	ADJUSTING DISC		4	1)
4	60 0501 281 6	ADJUSTING DISC		4	2)
1)	Remarks		ép.0.05		
2)	Remarks		ép.0.10		



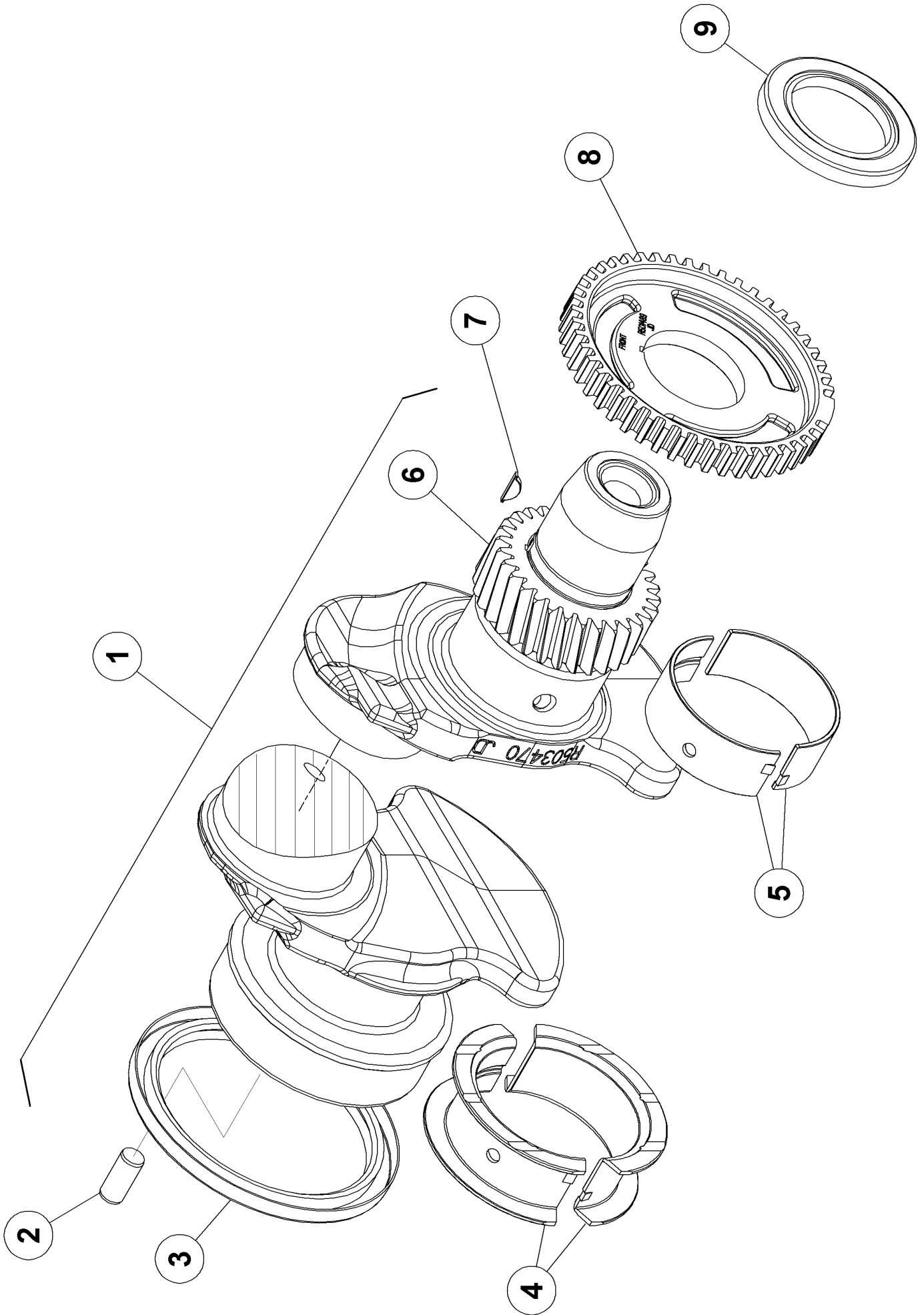
120 CONNECTING ROD, CONNECTING ROD BEARINGS

Pos.	Part No.	Description	Dimension	Quantity	Conditions
1	60 0502 453 6	CONNECTING ROD		4	
2	60 0502 453 7	SCREW	12 PTS M12 X 1,25 - 61	8	
3	60 0502 147 6	RING		4	
4	60 0501 281 4	INNER CIRCLIP		8	
5	60 0502 147 7	AXLE		4	
6	60 0502 147 8	BEARING		4	
6	60 0502 147 9	BEARING		4	1)
1)	Remarks		-0,254mm		



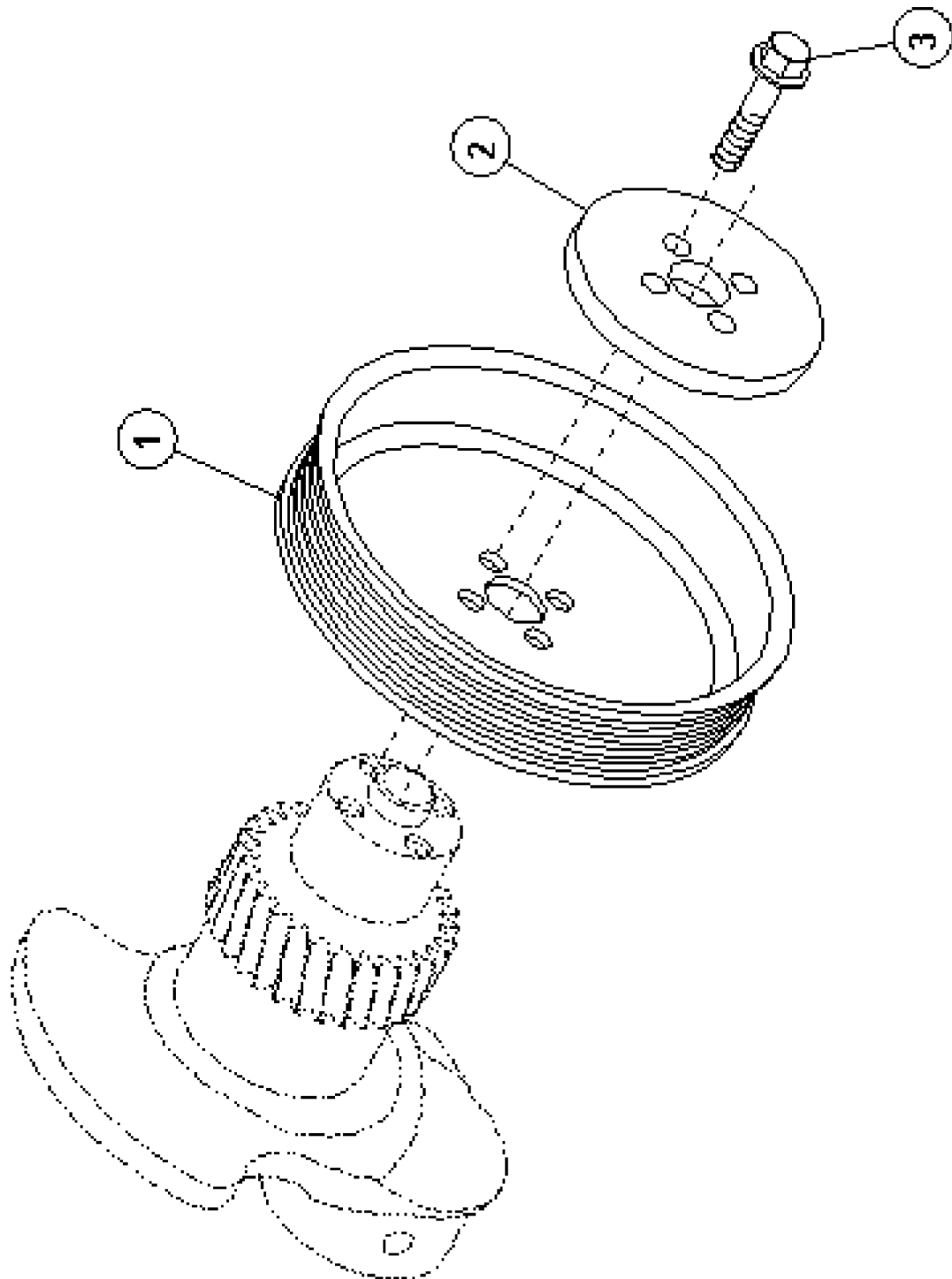
140 CRANKSHAFT 1)

Pos.	Part No.	Description	Dimension	Quantity	Conditions
1	60 0502 895 8	CRANKSHAFT		1	
2	60 0501 317 4	CENTRING PIN		1	
3	60 0501 279 0	SHAFT SEAL	118X146X15	1	
4	60 0502 148 1	BEARING		1	
4	60 0502 148 2	BEARING		1	2)
5	60 0502 148 3	BEARING		4	
5	60 0502 148 4	BEARING		4	2)
6	60 0502 148 5	WHEEL		1	3)
7	60 0502 151 0	KEY		1	
8	60 0502 869 8	WHEEL		1	
9	60 0503 024 7	SEALING RING		1	
1)	Motor	4045HRT70 4045HRT71 4045TRT73	up to CD4045H879083 up to CD4045H879083 up to CD4045T879083		
2)	Remarks		-0.254mm		
3)	Remarks		30 dents		



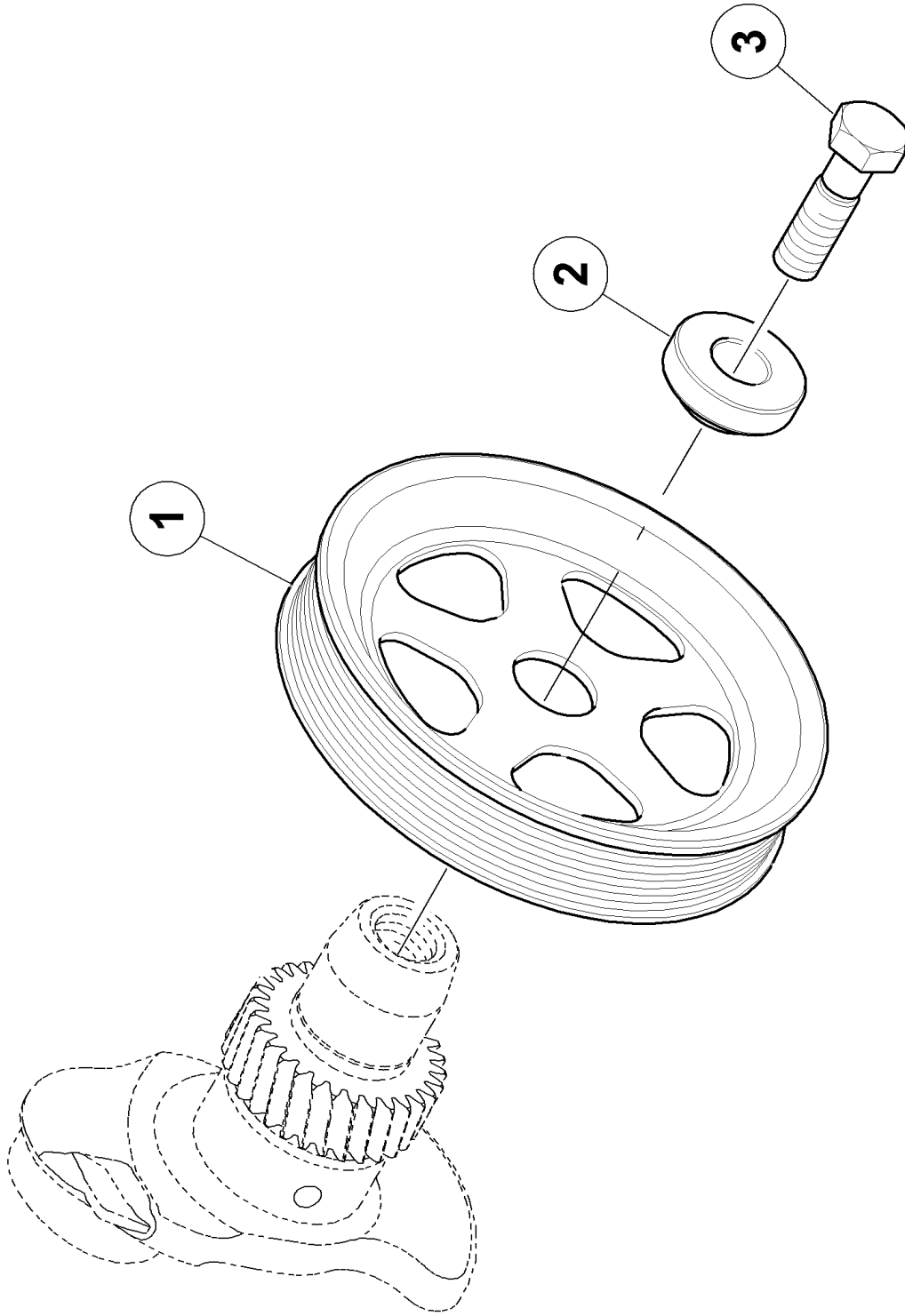
140 CRANKSHAFT 1)

Pos.	Part No.	Description	Dimension	Quantity	Conditions
1	60 0503 090 7	CRANKSHAFT		1	
2	60 0501 317 4	CENTRING PIN		1	
3	60 0501 279 0	SHAFT SEAL	118X146X15	1	
4	60 0502 148 1	BEARING		1	
4	60 0502 148 2	BEARING		1	2)
5	60 0502 148 3	BEARING		4	
5	60 0502 148 4	BEARING		4	2)
6	60 0502 148 5	WHEEL		1	3)
7	60 0502 151 0	KEY		1	
8	60 0502 869 8	WHEEL		1	
9	60 0503 024 7	SEALING RING		1	
1)	Motor	4045HRT70 4045HRT71 4045TRT73	from CD4045H879084 from CD4045H879084 from CD4045T879084		
2)	Remarks		-0.254mm		
3)	Remarks		30 dents		



161 CRANKSHAFT PULLEY WHEEL 1)

Pos.	Part No.	Description	Dimension	Quantity	Conditions
1	60 0502 165 6	CRANKSHAFT PULLEY		1	
2	60 0502 599 0	FLANGE		1	
3	60 0502 165 7	SCREW		4	
1)	Motor	4045HRT70	up to CD4045H879083		
		4045HRT71	up to CD4045H879083		
		4045TRT73	up to CD4045T879083		

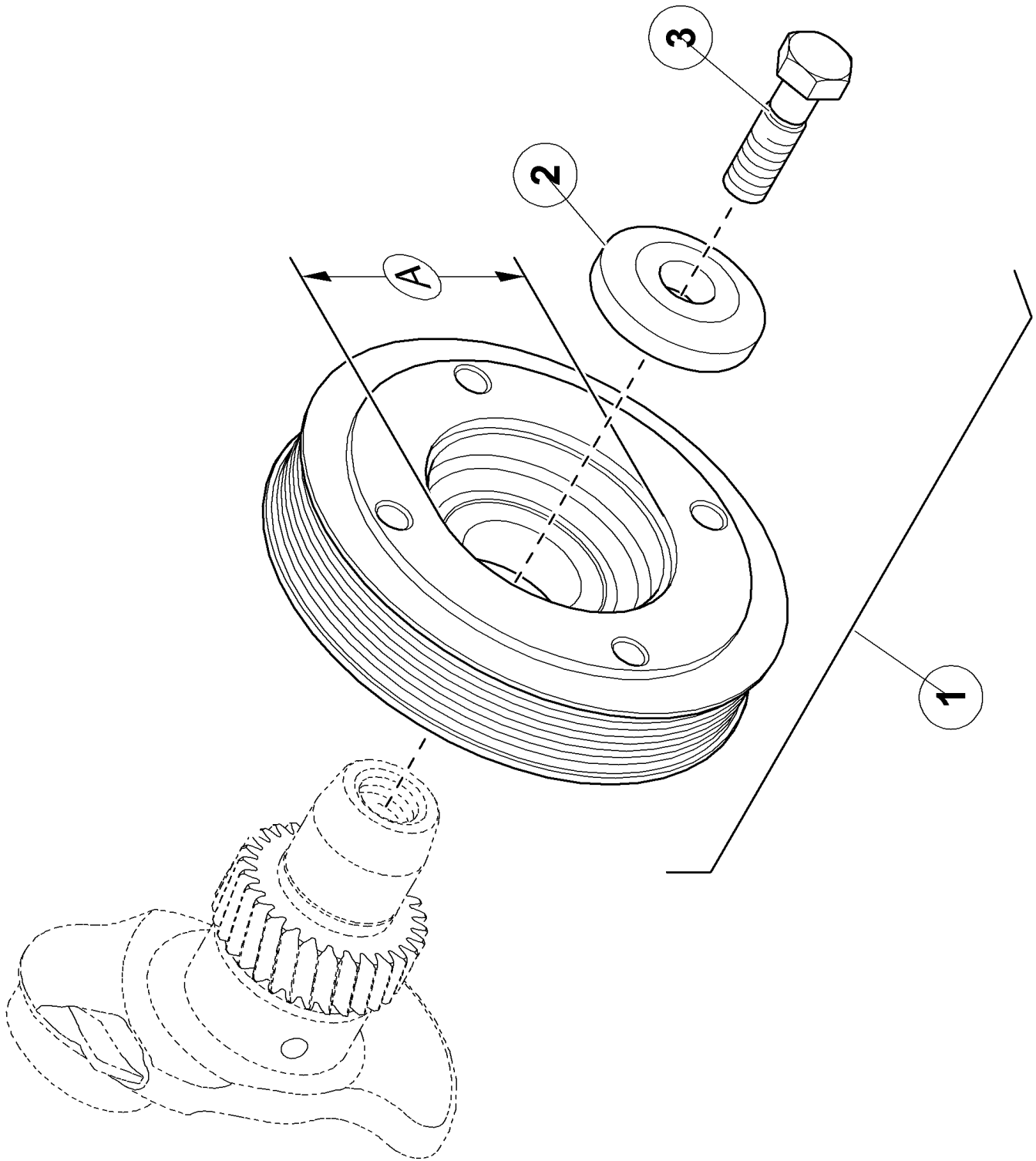


161 CRANKSHAFT PULLEY WHEEL 1)

Pos.	Part No.	Description	Dimension	Quantity	Conditions
1	60 0503 052 4	CRANKSHAFT PULLEY		1	
2	60 0503 052 5	WASHER		1	
3	60 0502 866 8	SCREW	M20X70	1	

1) Equipment**Motor**

0H0060	W/OUT FR LIFTING AND PTO
4045HRT70	from CD4045H879084
4045HRT71	from CD4045H879084
4045TRT73	from CD4045T879084

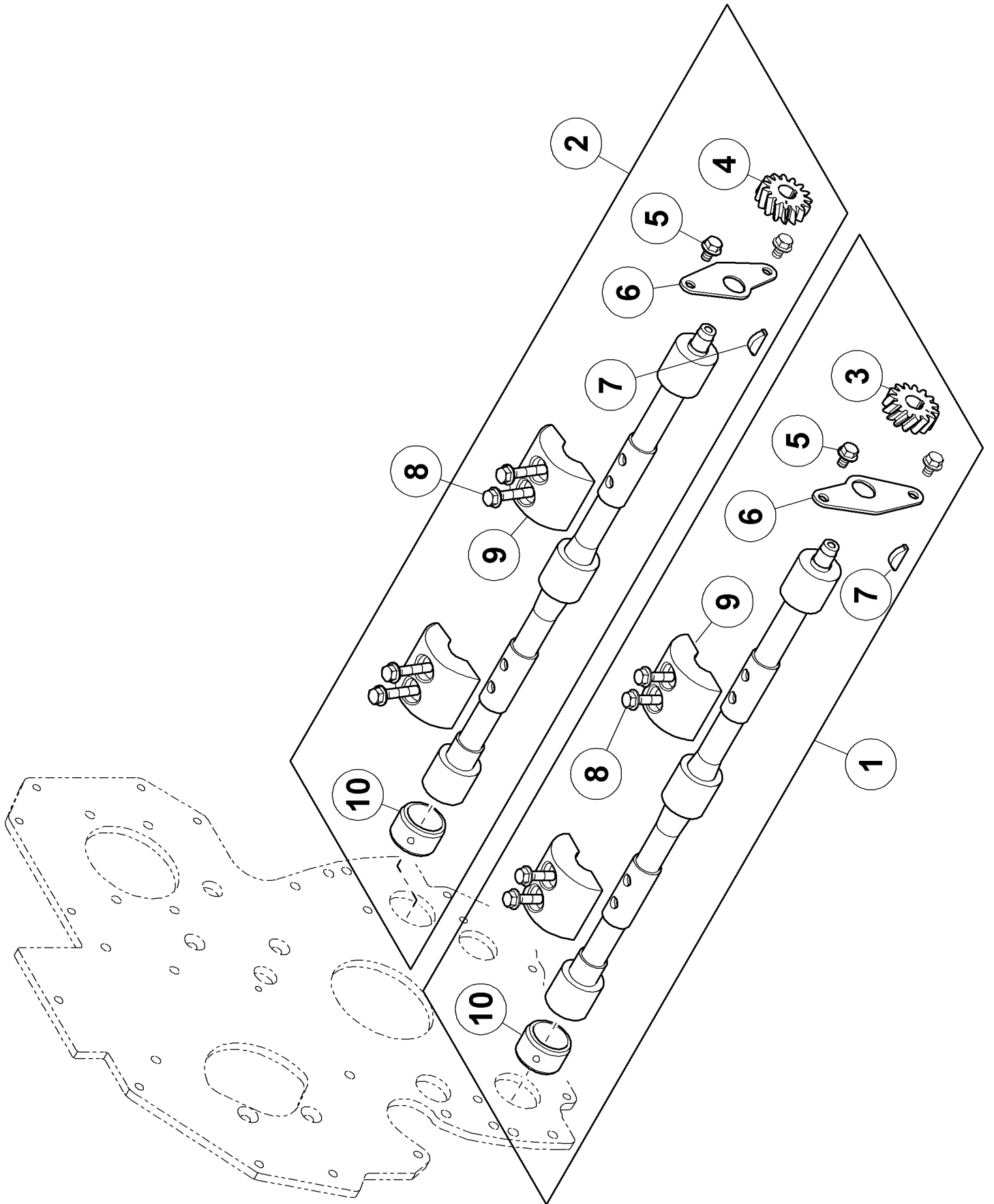


161 CRANKSHAFT PULLEY WHEEL 1)

Pos.	Part No.	Description	Dimension	Quantity	Conditions
1	77 0007 384 1	CRANKSHAFT PULLEY		1	
2	60 0503 091 1	WASHER		1	
3	60 0502 866 8	SCREW	M20X70	1	

1) Equipment

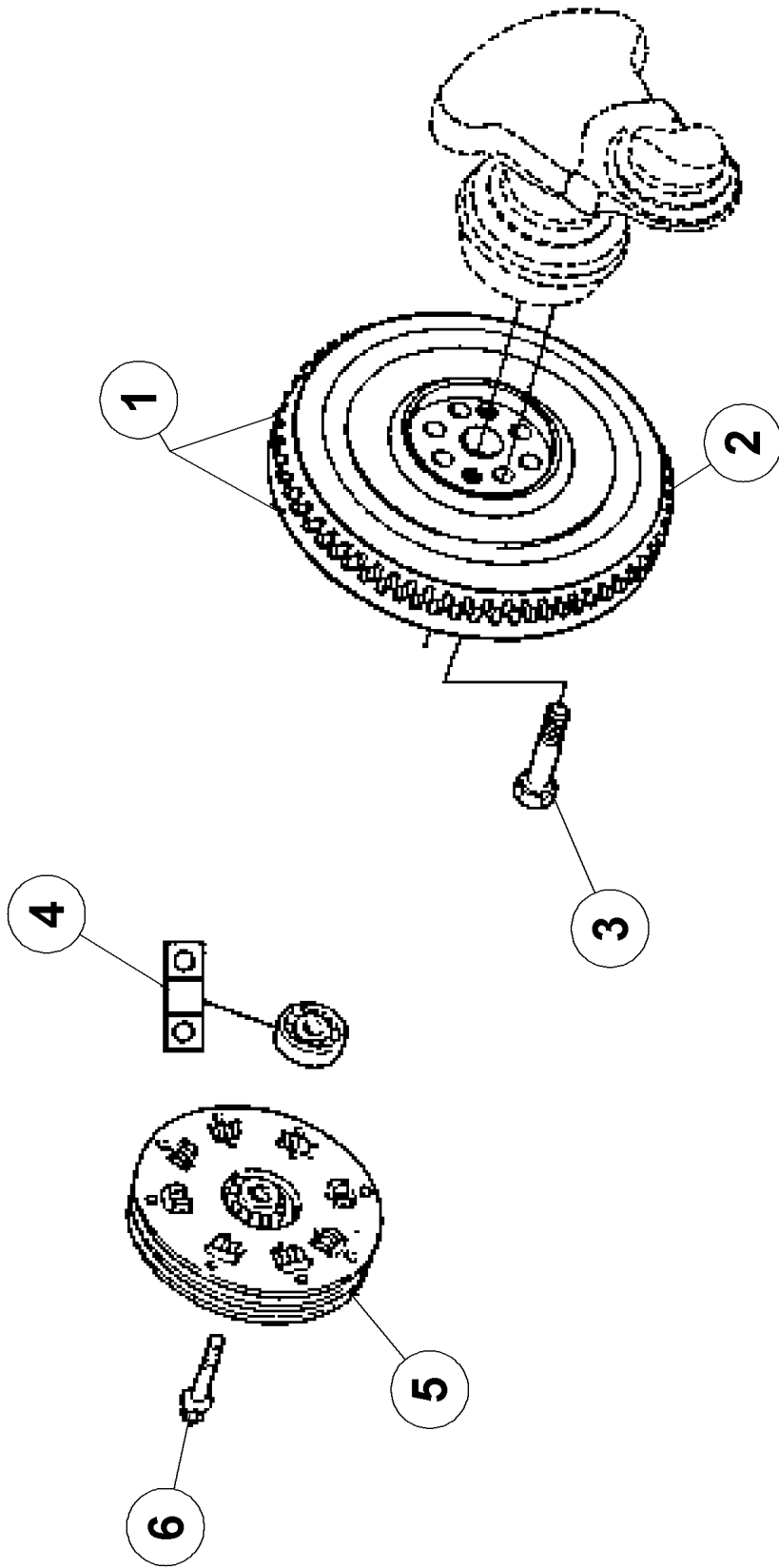
0H0071	FR PTO CW
0H0072	SAH FR PTO
0H0075	FR LIFT 2.8T+SH PTO
0H0076	FR LIFT 3.8T+SH PTO
0H0077	FR LIFT 2.8T+SAH PTO
Motor	FR LIFT 3.8T+SAH PTO
4045HRT70	from CD4045H879084
4045HRT71	from CD4045H879084
4045TRT73	from CD4045T879084



200 MASS BALANCING

Pos.	Part No.	Description	Dimension	Quantity	Conditions
1	60 0502 594 0	SHAFT		1	1)
2	60 0502 594 1	SHAFT		1	2)
3	60 0502 594 2	WHEEL		1	3)
4	60 0502 594 3	WHEEL		1	4)
5	60 0502 594 5	SCREW		4	
6	FA-NFP	NFP - CS		2	
7	60 0502 148 6	KEY		2	
8	60 0502 594 7	SCREW	M8X40	8	
9	60 0502 594 6	FLYWEIGHT		4	
10	60 0502 593 1	RING		6	

1) Remarks	D.
2) Remarks	G.
3) Remarks	D. 15Dts.
4) Remarks	G. 15Dts.





Suggest:

For more complete manuals. Please go to the home page.

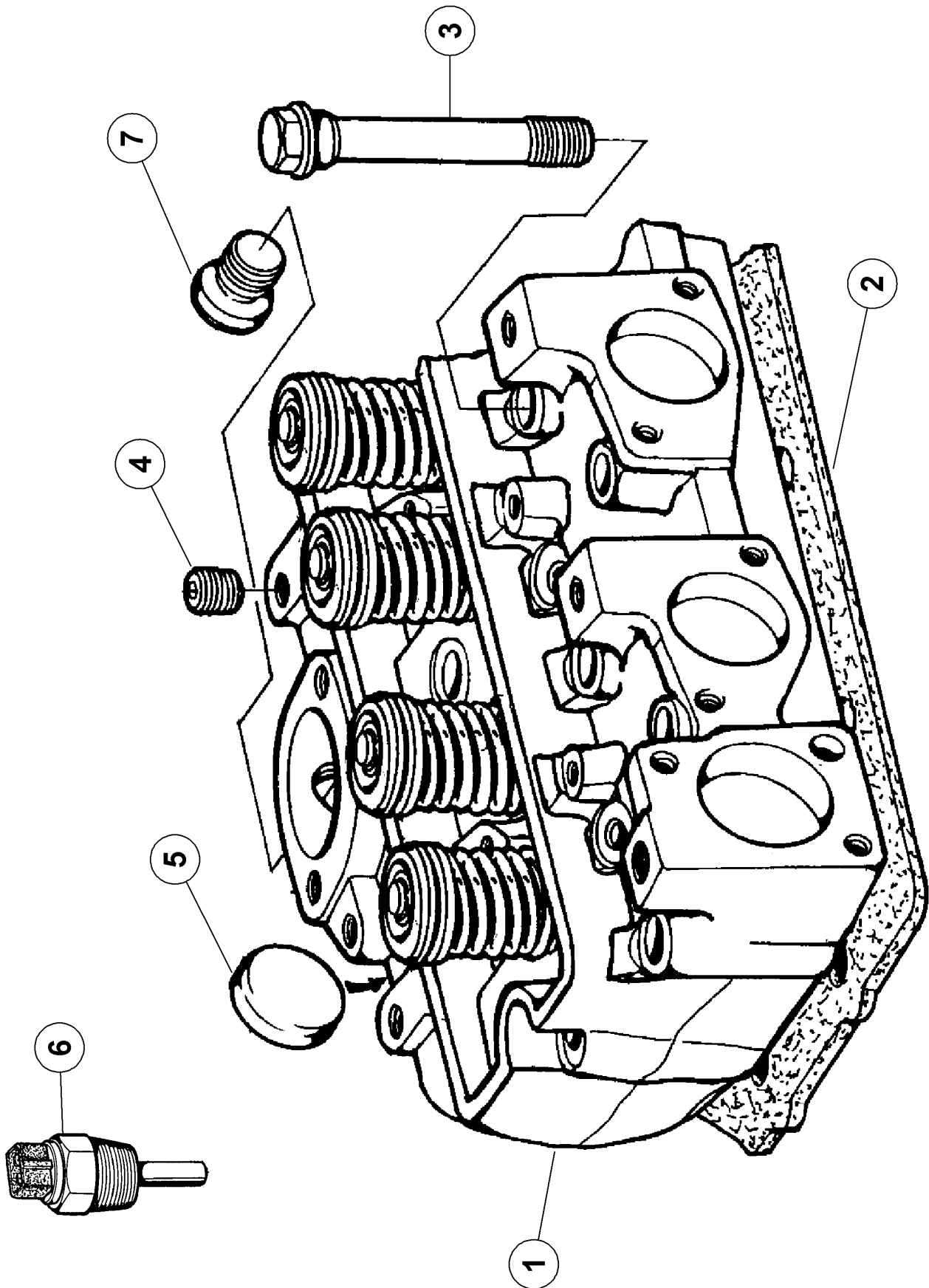
<https://www.ebooklibonline.com>

If the above button click is invalid. Please download this document first, and then click the above link to download the complete manual.

Thank you so much for reading

220 FLYWHEEL

Pos.	Part No.	Description	Dimension	Quantity	Conditions
1	77 0004 872 4	FLYWHEEL		1	
2	77 0004 531 5	TOOTHED RIM		1	
3	60 0502 625 8	SCREW	12 X 1,75 -37 - M12X40	4	
4	77 0103 068 6	BEARING-1 BALL	6305-2RS	1	1)
5	77 0006 704 0	HUB		1	2)
5	77 0007 872 9	TORSION DAMPER		1	3)
6	77 0001 693 5	SCREW	M10X40-V.RIPP ERS.D.1007	8	4)
6	77 0005 997 8	HEXAGON HEAD BOLT	M10X40	8	5)
1)	Remarks		25X62X17		
2)	machine no.	5312	up to CT5311730		
	machine no.	5322	up to CT5322298		
	machine no.	5332	up to CT5332200		
3)	machine no.	5312	from CT5311731		
	machine no.	5322	from CT5322299		
	machine no.	5332	from CT5332201		
4)	machine no.	5312	up to CT5311730		
	machine no.	5322	up to CT5322298		
	machine no.	5332	up to CT5332200		
	Remarks		HM10X150-40		
5)	machine no.	5312	from CT5311731		
	machine no.	5322	from CT5322299		
	machine no.	5332	from CT5332201		
	Remarks		HM10X150-40EMB		



100 CYLINDER HEAD

Pos.	Part No.	Description	Dimension	Quantity	Conditions
1	60 0502 594 8	CYLINDER HEAD		1	
2	60 0502 594 9	CYLINDER HEAD GASKET		1	
3	60 0501 288 6	SCREW		18	
4	60 0502 144 0	LOCK		1	
5	60 0501 288 3	LOCK		1	
5	60 0502 149 2	PLUG		2	
6	60 0501 344 2	SENDER UNIT		1	
7	60 0501 591 9	PLUG		1	

<https://www.ebooklibonline.com>

Hello dear friend!

Thank you very much for reading.

Enter the link into your browser.

The full manual is available for immediate download.

<https://www.ebooklibonline.com>