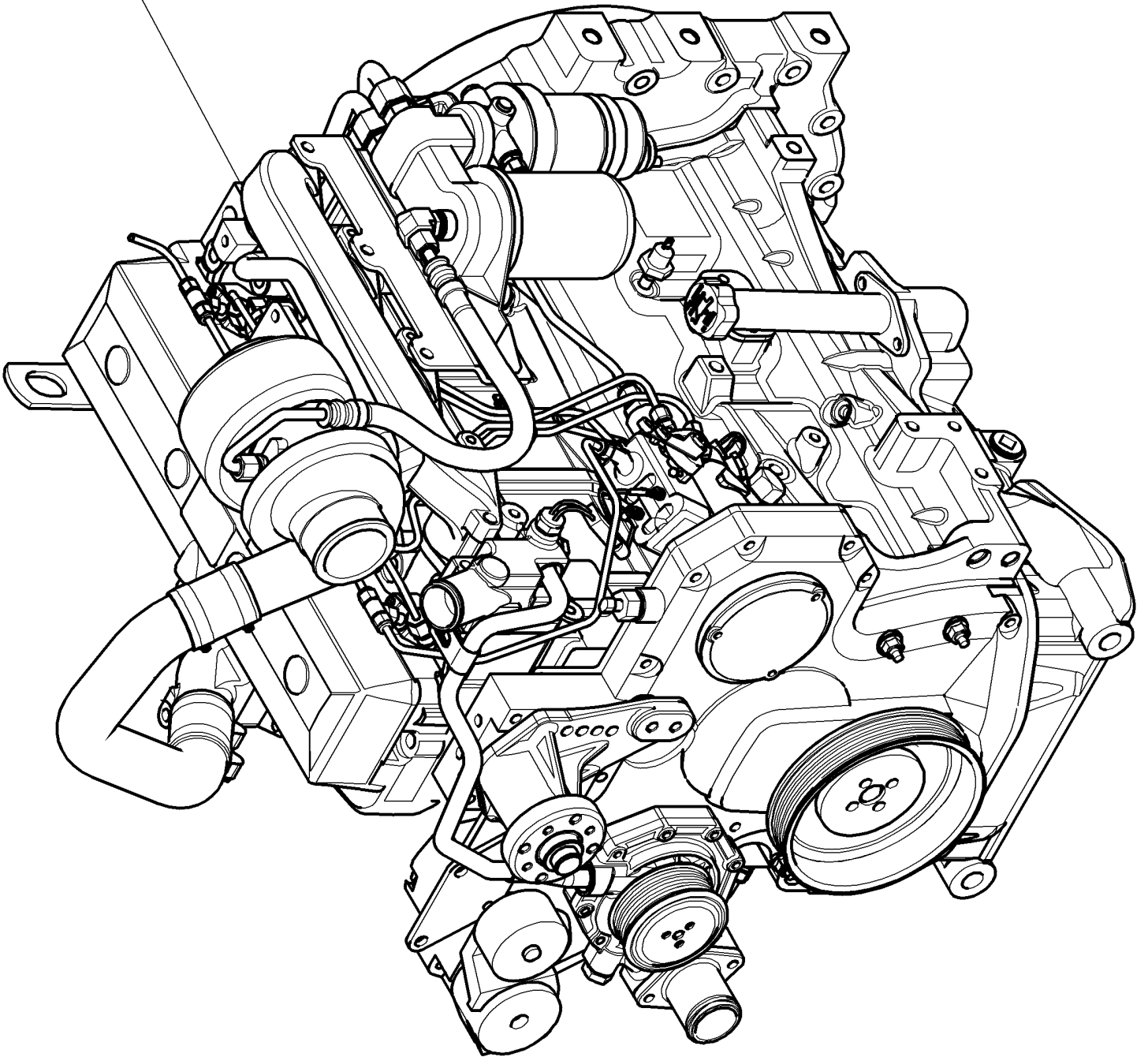
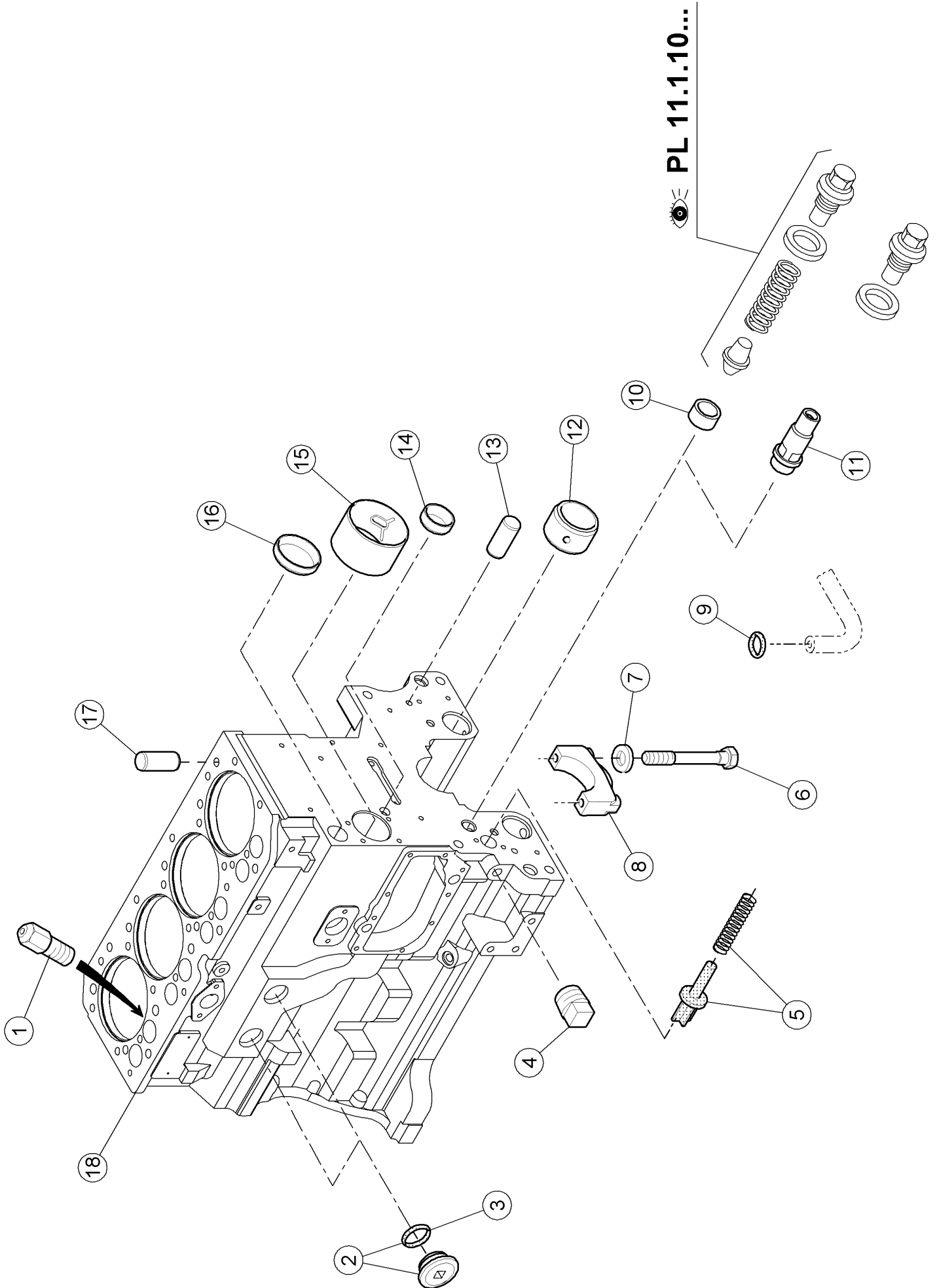


1



**010 COMPLETE ENGINE**

<b>Pos.</b>	<b>Part No.</b>	<b>Description</b>	<b>Dimension</b>	<b>Quantity</b>	<b>Conditions</b>
1	<b>77 0006 016 5</b>	ENGINE		1	1)
1	<b>77 0006 016 6</b>	ENGINE		1	2)
1	<b>77 0006 016 7</b>	ENGINE		1	3)
<b>1)</b>	<b>Homologationtype</b>		+ 5312 ->PL.10.1.03.A		
<b>2)</b>	<b>Homologationtype</b>		+ 5322 ->PL.10.1.03.A		
<b>3)</b>	<b>Homologationtype</b>		+ 5332 ->PL.10.1.03.A		



**<https://www.ebooklibonline.com>**

Hello dear friend!

Thank you very much for reading.

Enter the link into your browser.

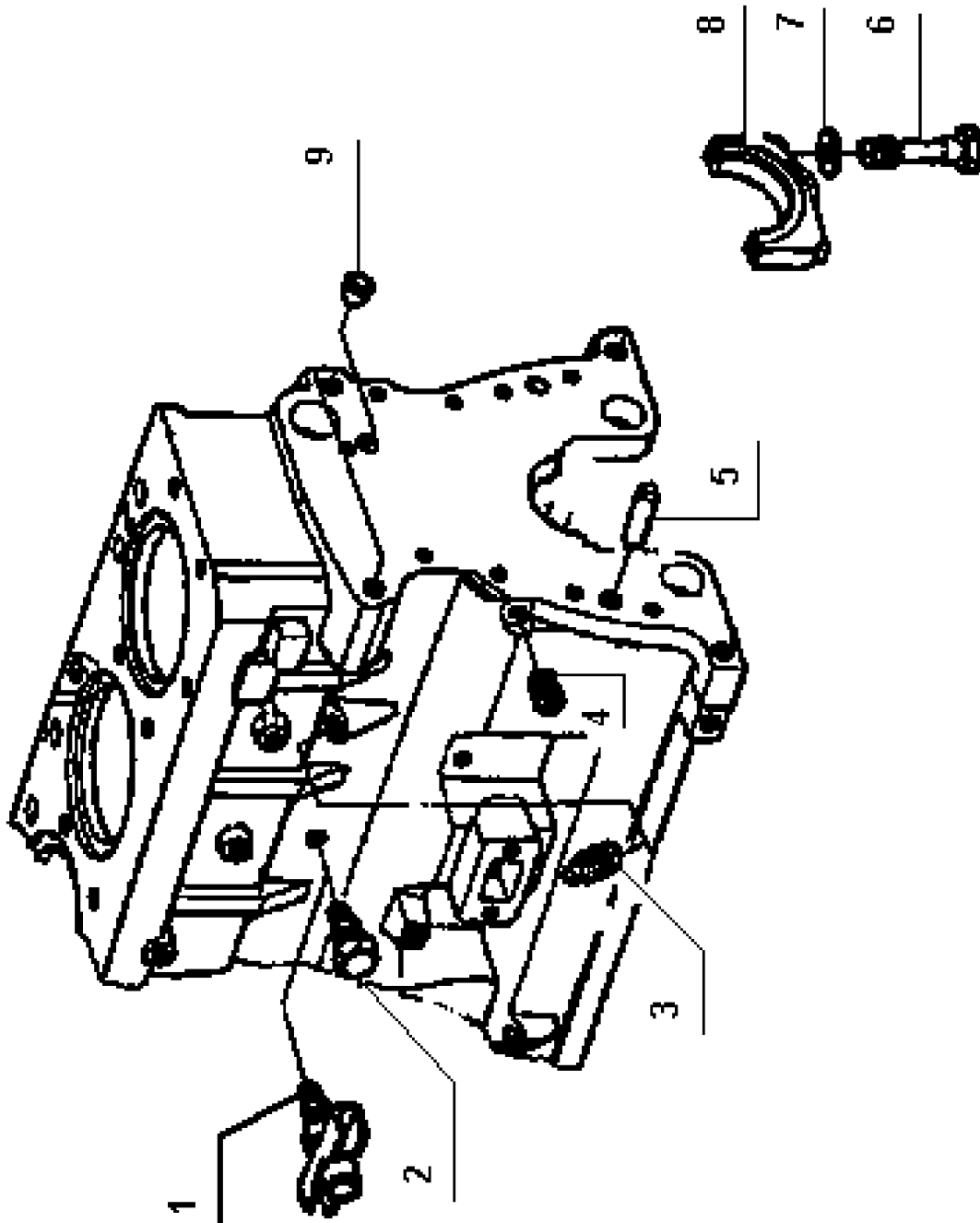
The full manual is available for immediate download.

**<https://www.ebooklibonline.com>**

**100 CRANKCASE**

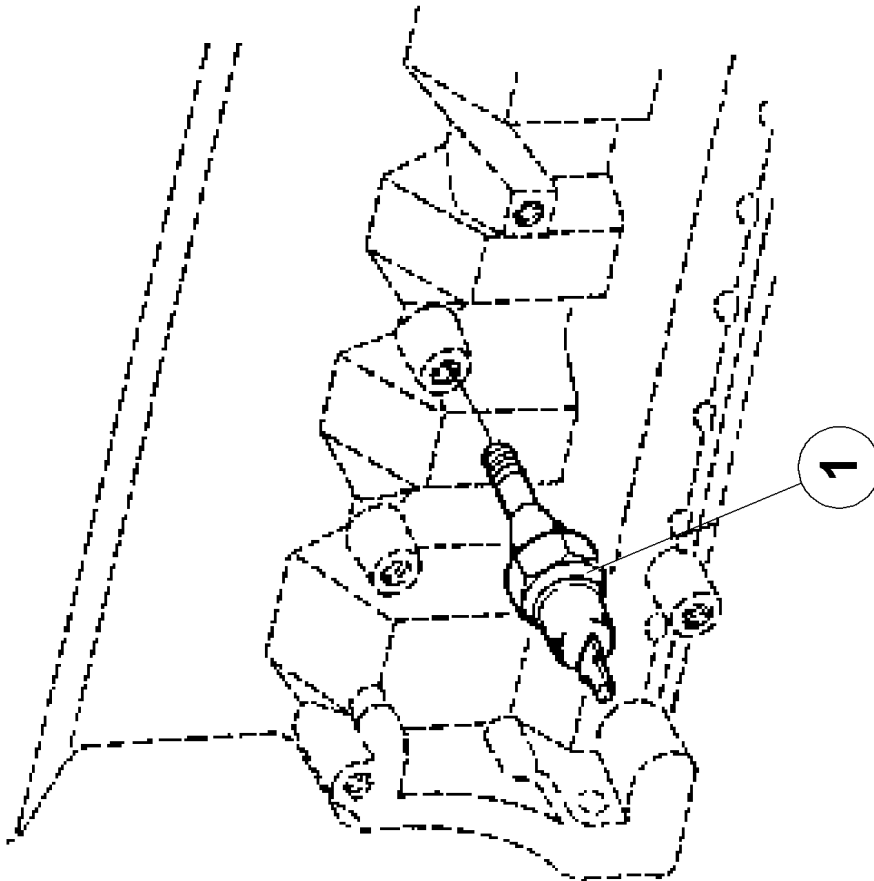
Pos.	Part No.	Description	Dimension	Quantity	Conditions
1	<b>60 0502 143 6</b>	SPRAY NOZZLE		4	
2	<b>60 0502 339 5</b>	LOCK		2	
3	<b>60 0502 339 4</b>	O-RING		2	
4	<b>60 0501 320 2</b>	LOCK		1	
5	<b>60 0501 402 9</b>	VALVE		1	
6	<b>60 0501 320 6</b>	SCREW		8	
7	<b>60 0502 143 7</b>	WASHER	13X22X2,5	8	
8	<b>60 0502 143 8</b>	COVER		4	
9	<b>60 0501 320 3</b>	O-RING		1	
10	<b>60 0501 319 9</b>	BUSHING		1	1)
11	<b>60 0502 869 1</b>	VALVE		1	2)
12	<b>60 0502 593 1</b>	RING		6	
13	<b>60 0501 319 6</b>	CENTRING PIN		2	
14	<b>60 0501 319 8</b>	BLANKING COVER		2	
15	<b>60 0501 294 1</b>	BEARING		1	
16	<b>60 0502 143 9</b>	BLANKING COVER		1	
17	<b>60 0501 317 4</b>	CENTRING PIN		4	
18	<b>FA-CONSIGN ES</b>	Consignes - CS		1	
-		<i>Please order!</i>			
	<i>00 1130 608 0</i>	<i>SEALING RING SET</i>		1,000	
	<i>60 0502 866 8</i>	<i>SCREW</i>		1,000	
	<i>60 0503 025 4</i>	<i>SHORT BLOCK</i>		1,000	
	<i>60 0503 052 4</i>	<i>CRANKSHAFT PULLEY</i>		1,000	
	<i>60 0503 052 5</i>	<i>WASHER</i>		1,000	

<b>1)</b>	<b>Motor</b>	4045TRT53	up to CD4045T663165
		4045TRT54	up to CD4045T663165
		4045TRT55	up to CD4045T663165
<b>2)</b>	<b>Motor</b>	4045TRT53	from CD4045T663166
		4045TRT54	from CD4045T663166
		4045TRT55	from CD4045T663166



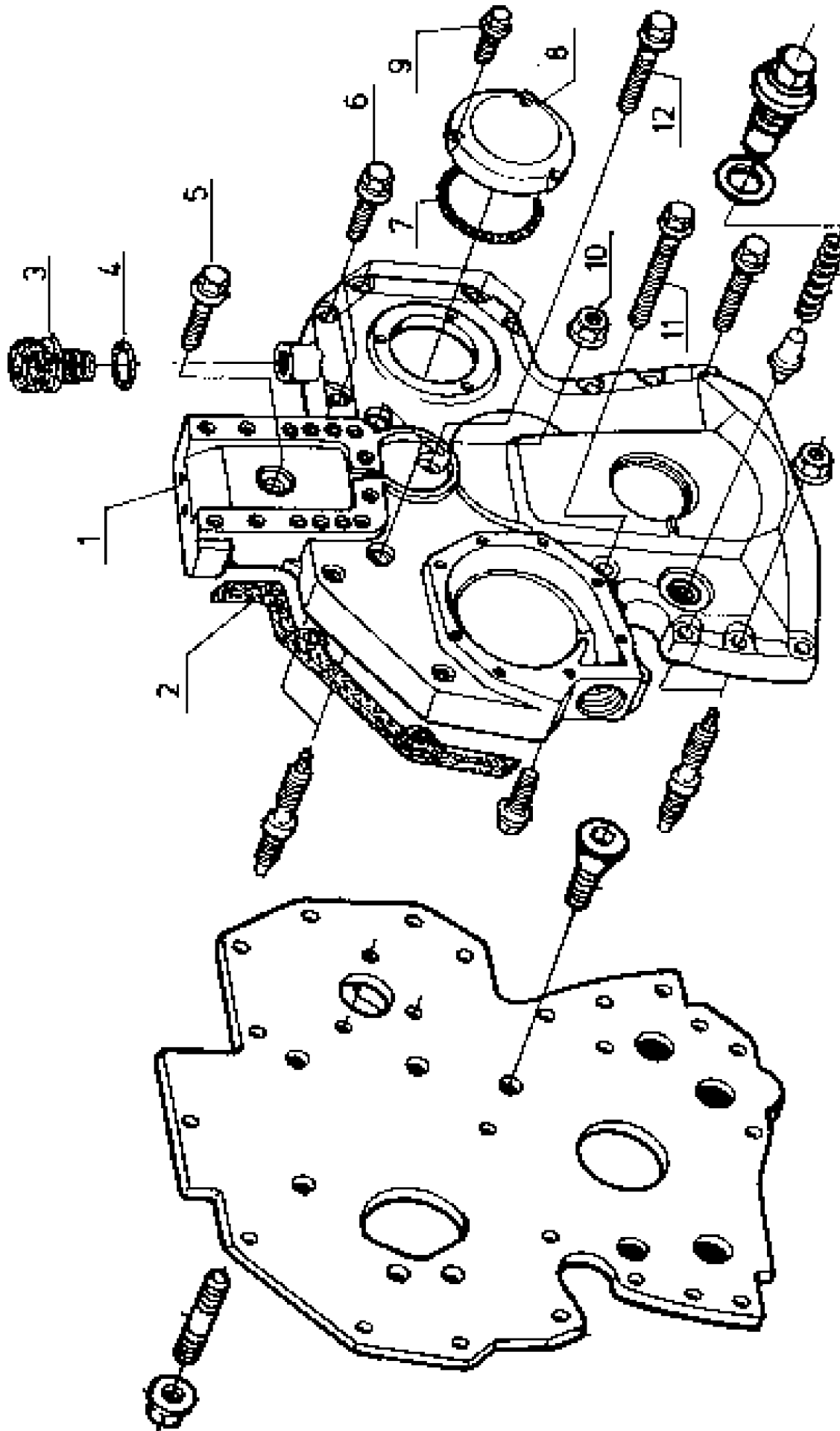
**100 CRANKCASE**

<b>Pos.</b>	<b>Part No.</b>	<b>Description</b>	<b>Dimension</b>	<b>Quantity</b>	<b>Conditions</b>
1	<b>60 0501 320 7</b>	VALVE		1	1)
2	<b>60 0502 665 3</b>	PLUG		1	
3	<b>60 0501 321 0</b>	PLUG		1	1)
4	<b>60 0502 144 0</b>	LOCK		5	
5	<b>60 0501 317 4</b>	CENTRING PIN		4	
6	<b>60 0501 320 6</b>	SCREW		2	
7	<b>60 0502 143 7</b>	WASHER	13X22X2,5	2	
8	<b>60 0502 144 1</b>	COVER		1	
9	<b>60 0501 319 8</b>	BLANKING COVER		2	
<b>1)</b>	<b>Remarks</b>		S.R.		



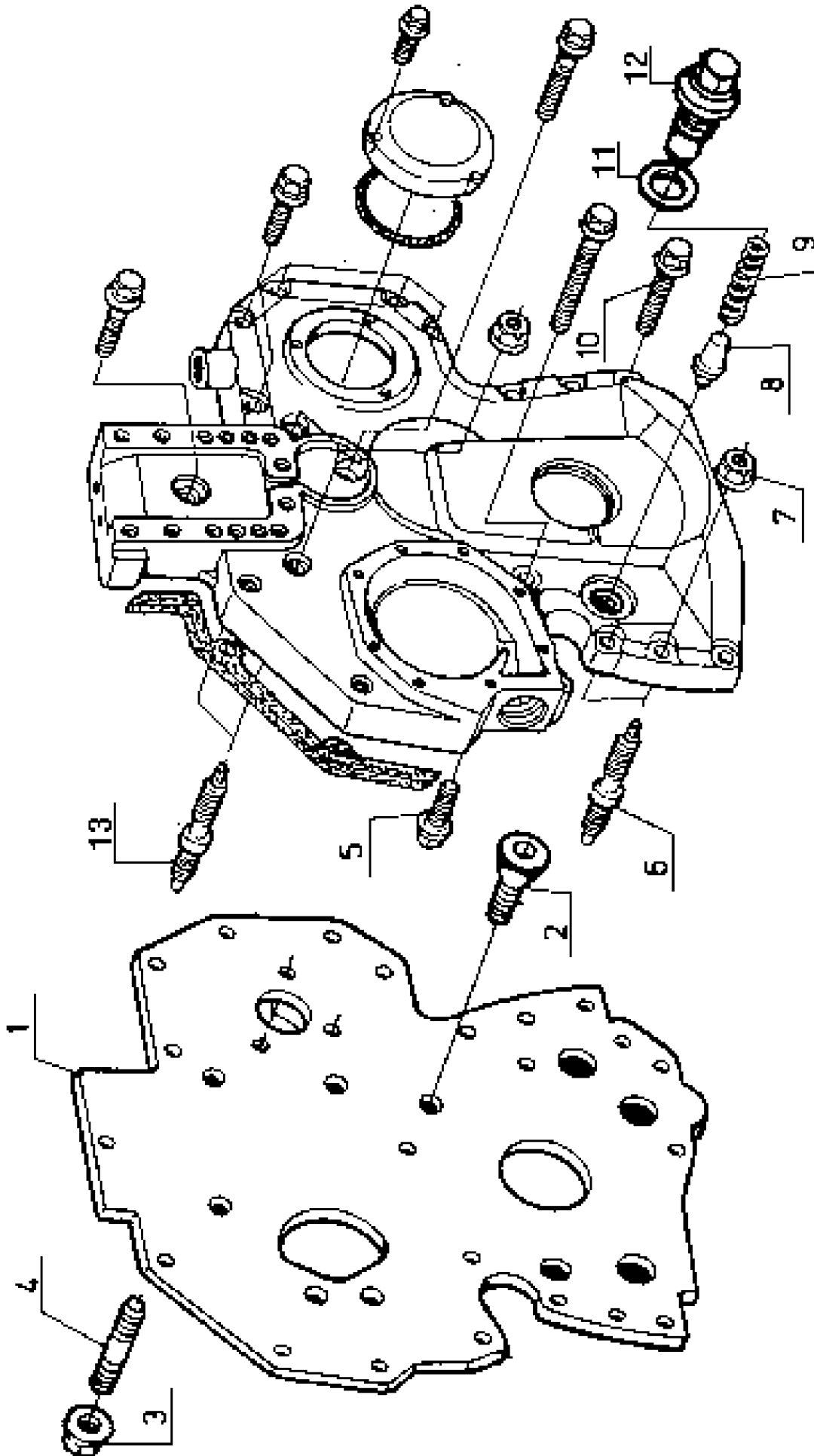
**100 CRANKCASE**

<b>Pos.</b>	<b>Part No.</b>	<b>Description</b>	<b>Dimension</b>	<b>Quantity</b>	<b>Conditions</b>
1	<b>60 0501 342 7</b>	TRANSMITTER		1	



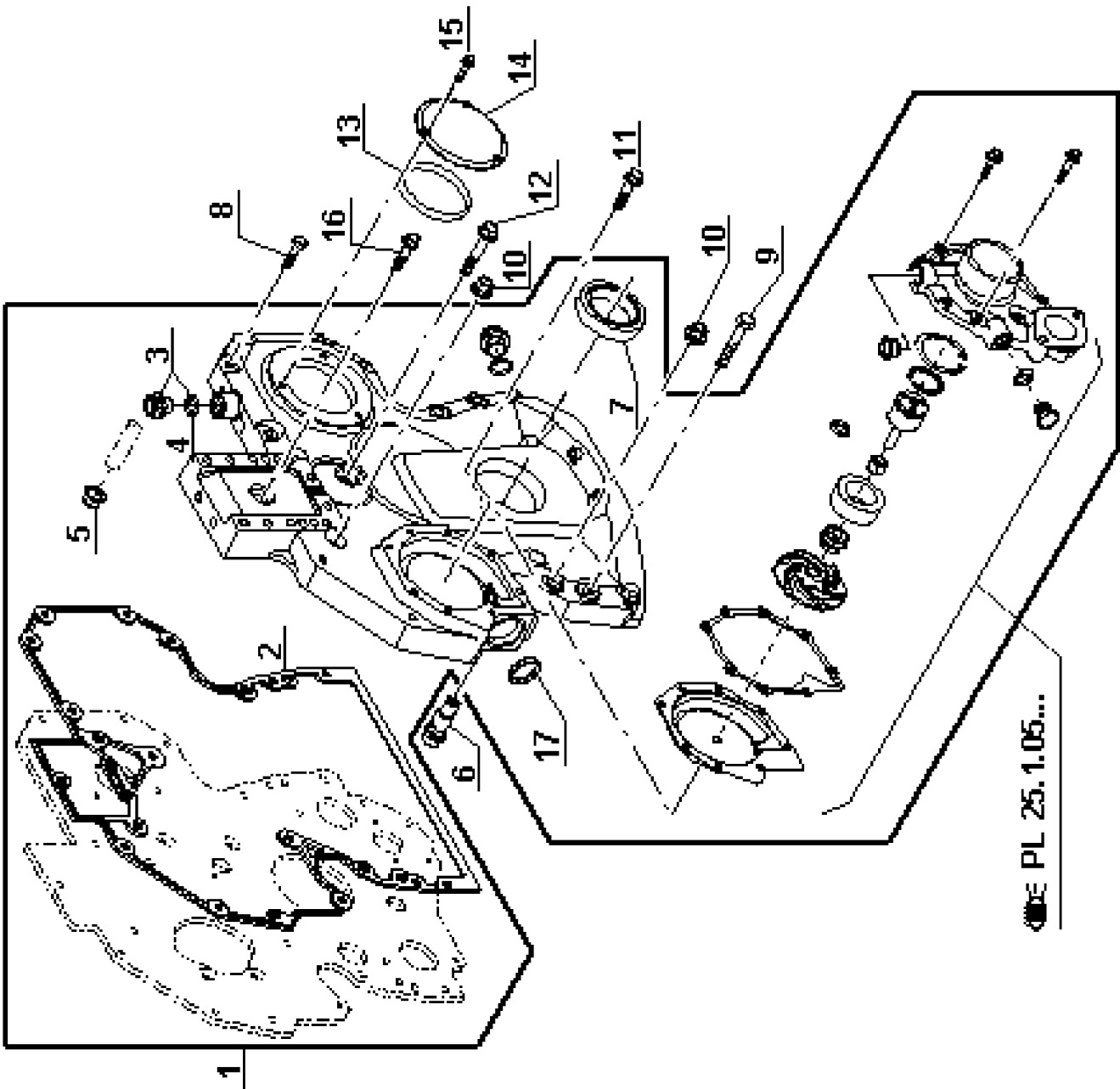
**120 TIMING CASE 1)**

Pos.	Part No.	Description	Dimension	Quantity	Conditions
1	<b>FA-CONSIGN ES</b>	Consignes - CS		1	
-		<i>Please order!</i> 60 0502 869 0 HOUSING		1,000	
2	<b>60 0502 144 3</b>	GASKET		1	
3	<b>60 0502 895 5</b>	SCREW PLUG	F-M20X1,5	1	
4	<b>77 0002 464 6</b>	O-RING	17X2-N ERS.D. 0238209.0	1	
5	<b>60 0502 144 4</b>	SCREW	M8X35	1	
6	<b>60 0502 144 5</b>	SCREW	M8X45	6	
7	<b>60 0502 144 6</b>	O-RING		1	
8	<b>60 0502 144 7</b>	COVER		1	2)
9	<b>60 0502 144 8</b>	SCREW	M6X16	3	2)
10	<b>60 0502 144 9</b>	NUT		6	
11	<b>60 0502 145 0</b>	SCREW	M08X60	1	
12	<b>60 0502 339 6</b>	SCREW		1	
<b>1)</b>	<b>Motor</b>	4045TRT53			up to CD4045T693156
		4045TRT54			up to CD4045T693156
		4045TRT55			up to CD4045T693156
<b>2)</b>	<b>Motor</b>	4045TRT53			up to CD4045T663165
		4045TRT54			up to CD4045T663165
		4045TRT55			up to CD4045T663165



**120 TIMING CASE 1)**

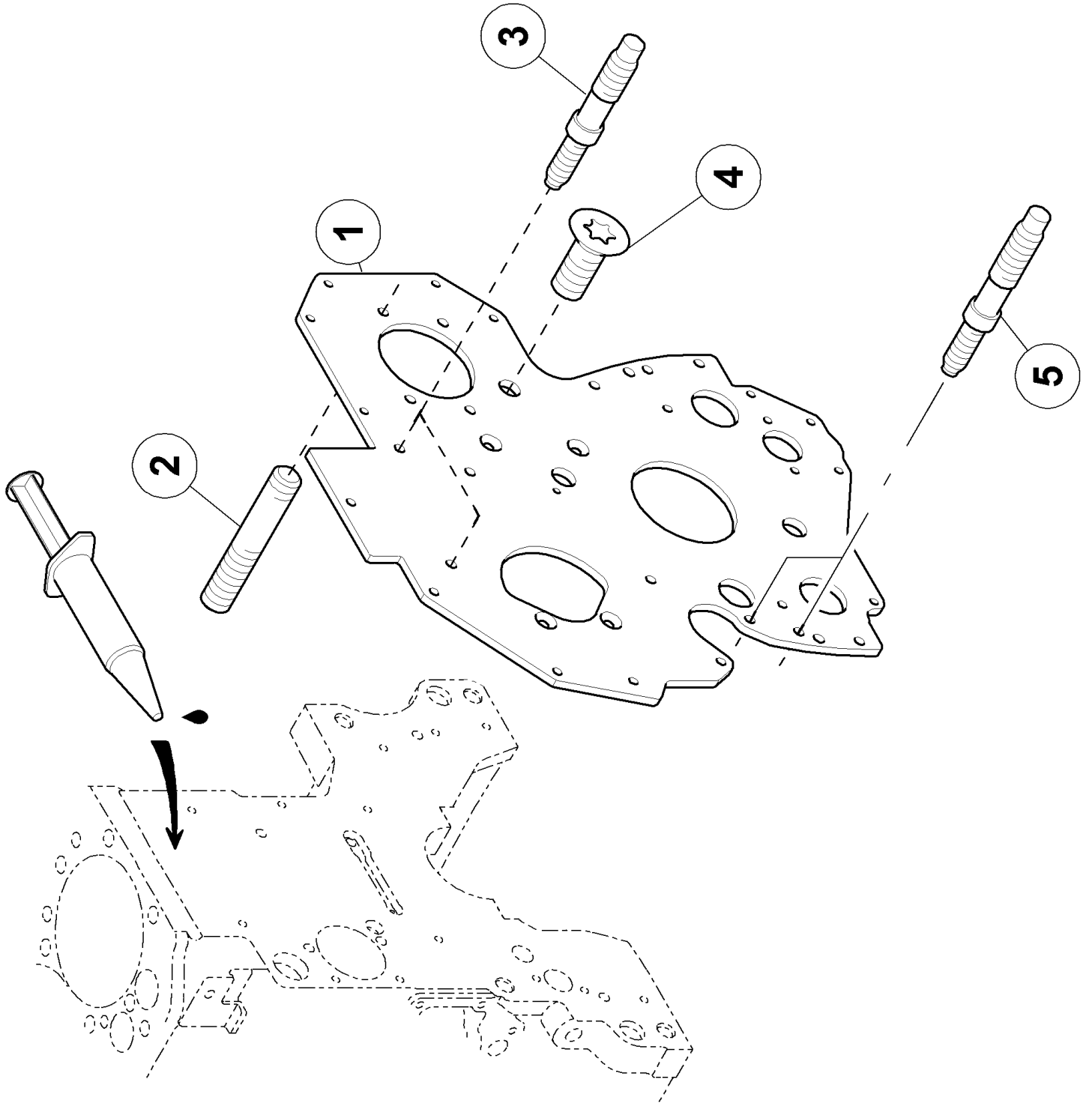
Pos.	Part No.	Description	Dimension	Quantity	Conditions
1	<b>60 0502 145 2</b>	PLATE		1	
2	<b>60 0502 339 7</b>	SCREW		4	
3	<b>60 0502 145 4</b>	FLANGE NUT	M08	3	
4	<b>60 0502 145 5</b>	STUD BOLT		3	
5	<b>60 0502 145 6</b>	SCREW	M8X25	1	
6	<b>60 0502 145 7</b>	STUD BOLT		4	
7	<b>60 0502 144 9</b>	NUT		6	
8	<b>60 0501 277 5</b>	VALVE		1	
9	<b>60 0502 593 4</b>	SPRING		1	
10	<b>60 0502 145 8</b>	SCREW		2	
11	<b>60 0501 277 2</b>	WASHER		1	
12	<b>60 0501 277 1</b>	SCREW		1	
13	<b>60 0502 339 8</b>	STUD BOLT		2	
<b>1)</b>	<b>Motor</b>	4045TRT53			up to CD4045T693156
		4045TRT54			up to CD4045T693156
		4045TRT55			up to CD4045T693156



PL 25.1.05...

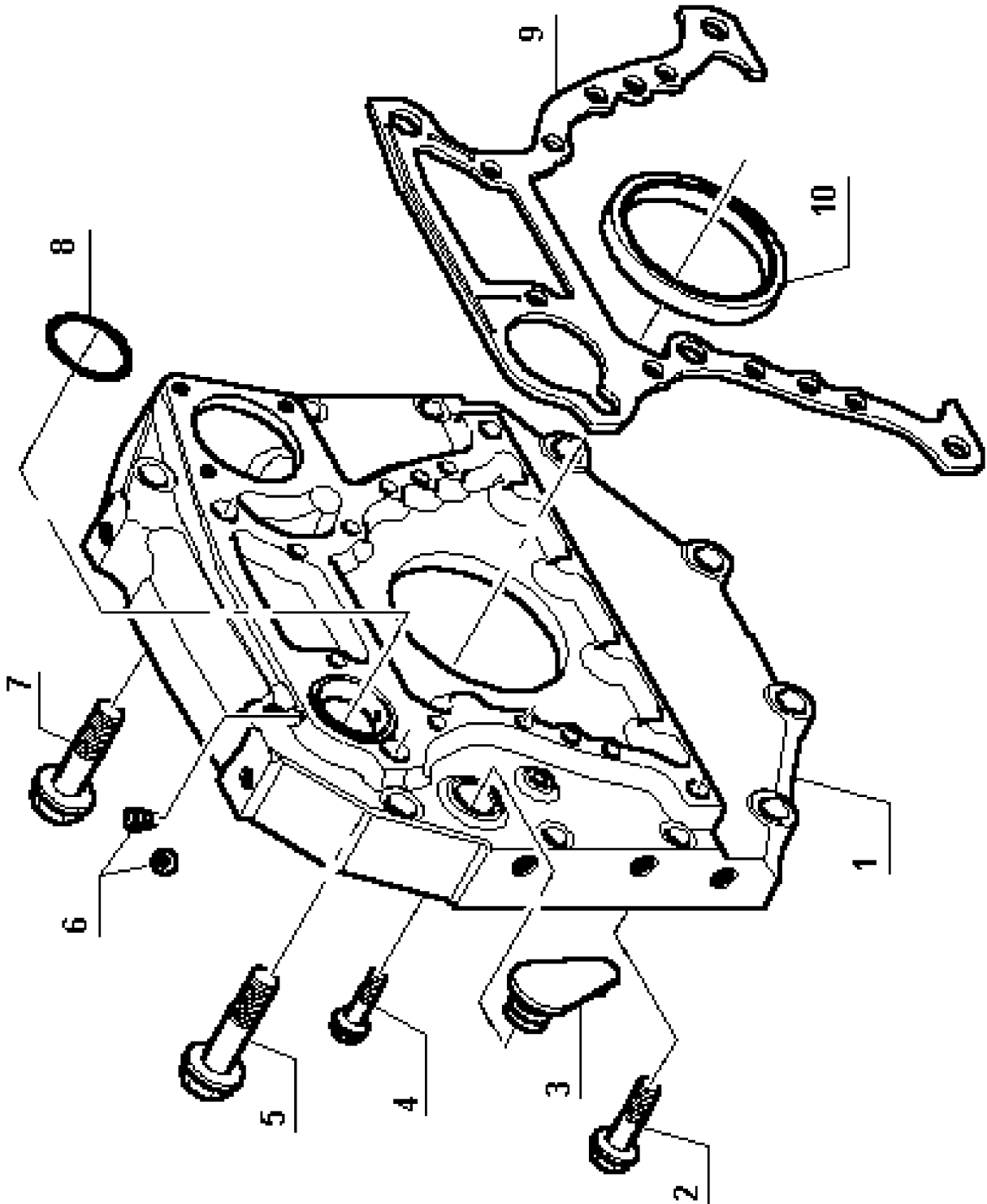
**120 TIMING CASE 1)**

Pos.	Part No.	Description	Dimension	Quantity	Conditions
1	<b>60 0502 869 0</b>	HOUSING		1	
2	<b>60 0502 144 3</b>	GASKET		1	
3	<b>60 0502 895 5</b>	SCREW PLUG	F-M20X1,5	1	
4	<b>77 0002 464 6</b>	O-RING	17X2-N ERS.D. 0238209.0	1	
5	<b>60 0502 163 0</b>	SEALING RING		1	
6	<b>60 0502 869 1</b>	VALVE		1	
7	<b>60 0503 024 7</b>	SEALING RING		1	
8	<b>60 0502 144 5</b>	SCREW	M8X45	6	
9	<b>60 0502 145 8</b>	SCREW		2	
10	<b>60 0502 144 9</b>	NUT		6	
11	<b>60 0502 145 0</b>	SCREW	M08X60	1	
12	<b>60 0502 339 6</b>	SCREW		1	
13	<b>60 0502 144 6</b>	O-RING		1	
14	<b>60 0502 144 7</b>	COVER		1	
15	<b>60 0502 144 8</b>	SCREW	M6X16	3	
16	<b>60 0502 144 4</b>	SCREW	M8X35	1	
17	<b>60 0500 796 4</b>	O-RING	37,69 X 3,53 NBR 80	1	
<b>1)</b>	<b>Motor</b>	4045TRT53			from CD4045T691357
		4045TRT54			from CD4045T691357
		4045TRT55			from CD4045T691357



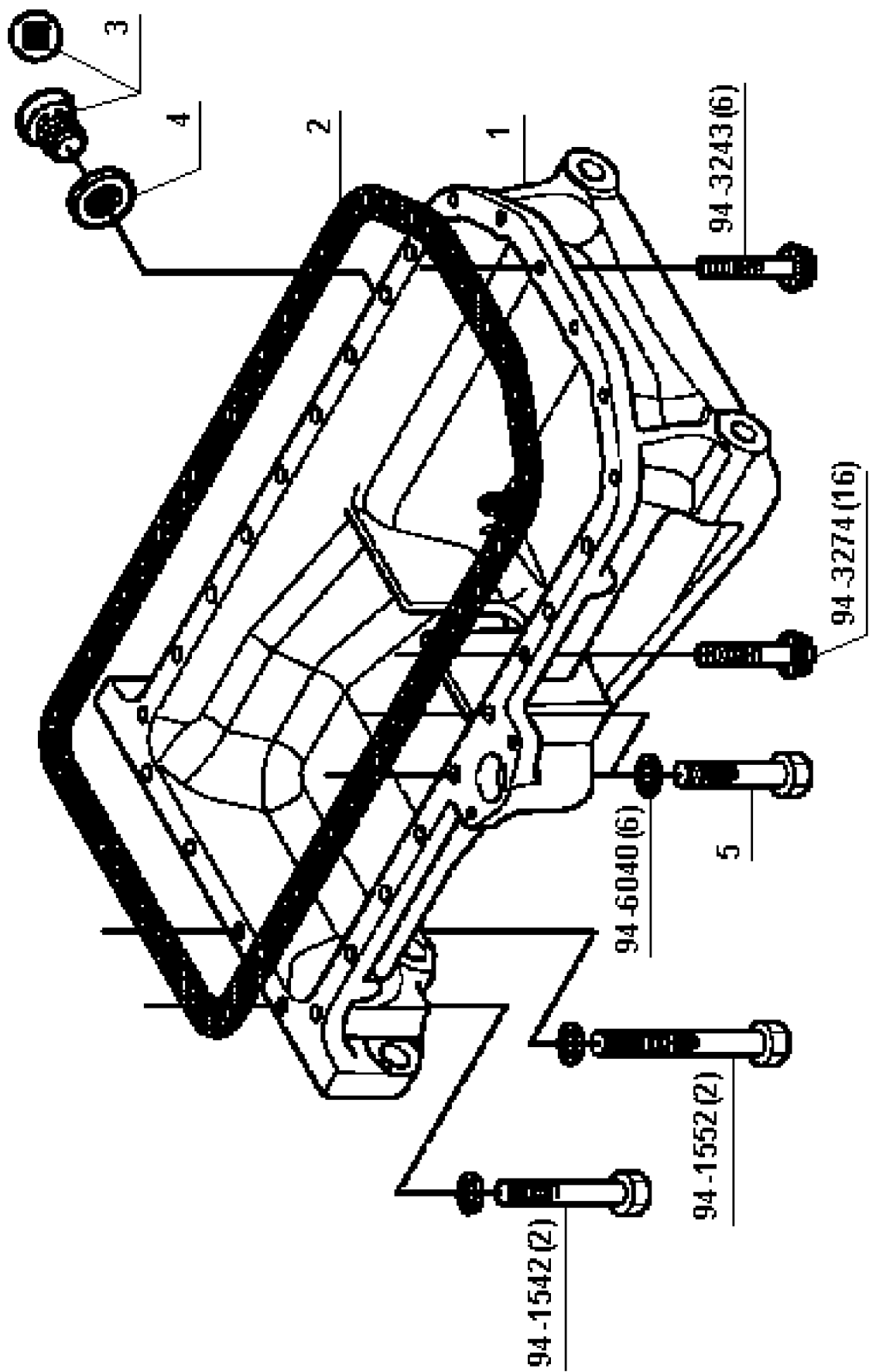
**120 TIMING CASE 1)**

<b>Pos.</b>	<b>Part No.</b>	<b>Description</b>	<b>Dimension</b>	<b>Quantity</b>	<b>Conditions</b>
1	<b>60 0502 145 2</b>	PLATE		1	
2	<b>60 0502 145 5</b>	STUD BOLT		3	
3	<b>60 0502 339 8</b>	STUD BOLT		2	
4	<b>60 0502 339 7</b>	SCREW		4	
5	<b>60 0502 145 7</b>	STUD BOLT		4	
<b>1)</b>	<b>Motor</b>	4045TRT53	from CD4045T691357		
		4045TRT54	from CD4045T691357		
		4045TRT55	from CD4045T691357		



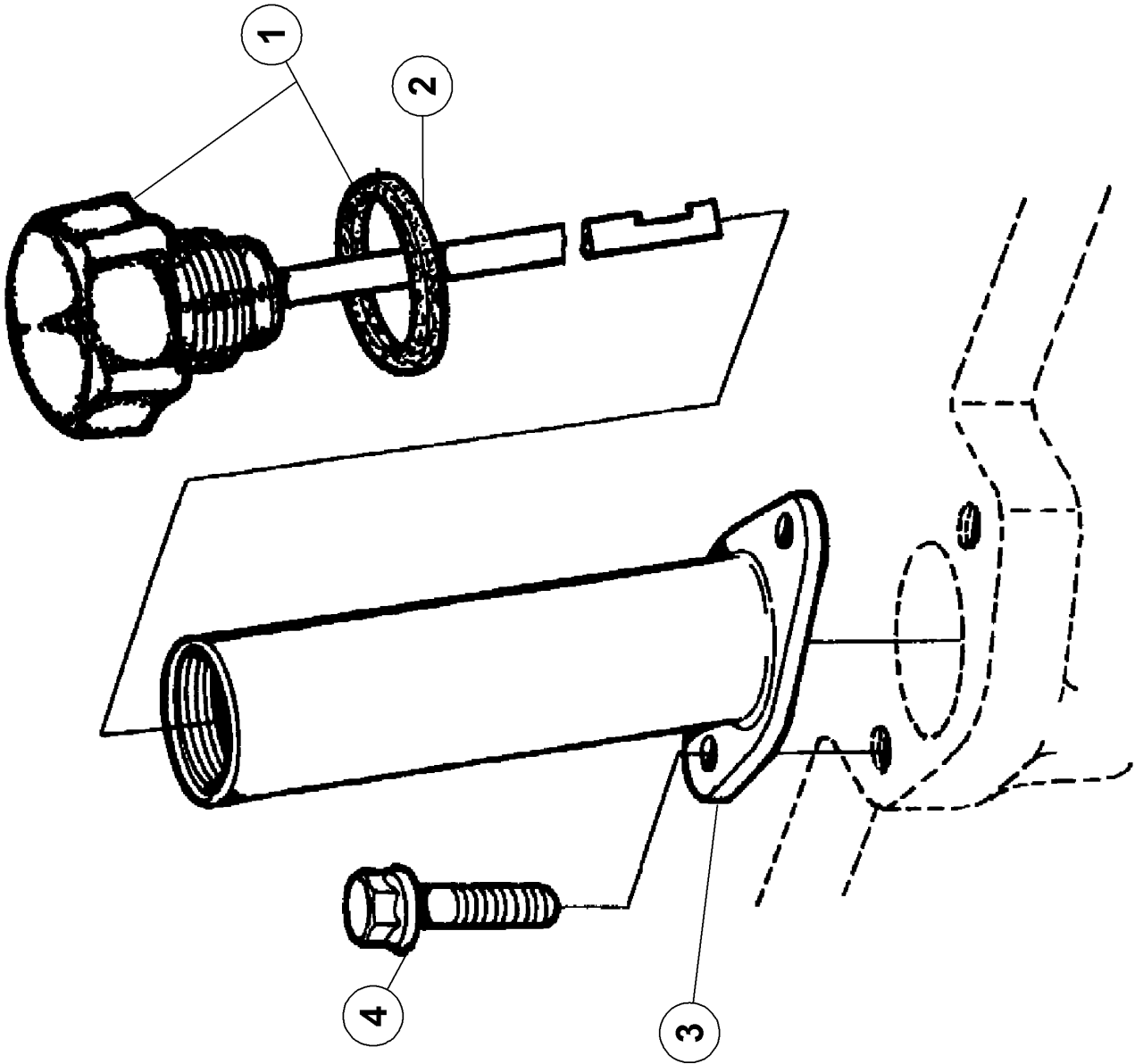
**140 FLYWHEEL HOUSING**

<b>Pos.</b>	<b>Part No.</b>	<b>Description</b>	<b>Dimension</b>	<b>Quantity</b>	<b>Conditions</b>
1	<b>60 0502 665 6</b>	HOUSING		1	
2	<b>60 0502 777 3</b>	SCREW	M16X60	2	
3	<b>60 0501 611 6</b>	BLANKING COVER		1	
4	<b>60 0502 146 7</b>	SCREW	M12X40	8	
5	<b>60 0502 777 3</b>	SCREW	M16X60	1	
6	<b>60 0502 146 4</b>	LOCK		1	
7	<b>60 0502 146 5</b>	SCREW		1	
8	<b>60 0501 604 9</b>	O-RING		1	
9	<b>77 0005 577 1</b>	GASKET		1	
10	<b>60 0501 279 0</b>	SHAFT SEAL	118X146X15	1	



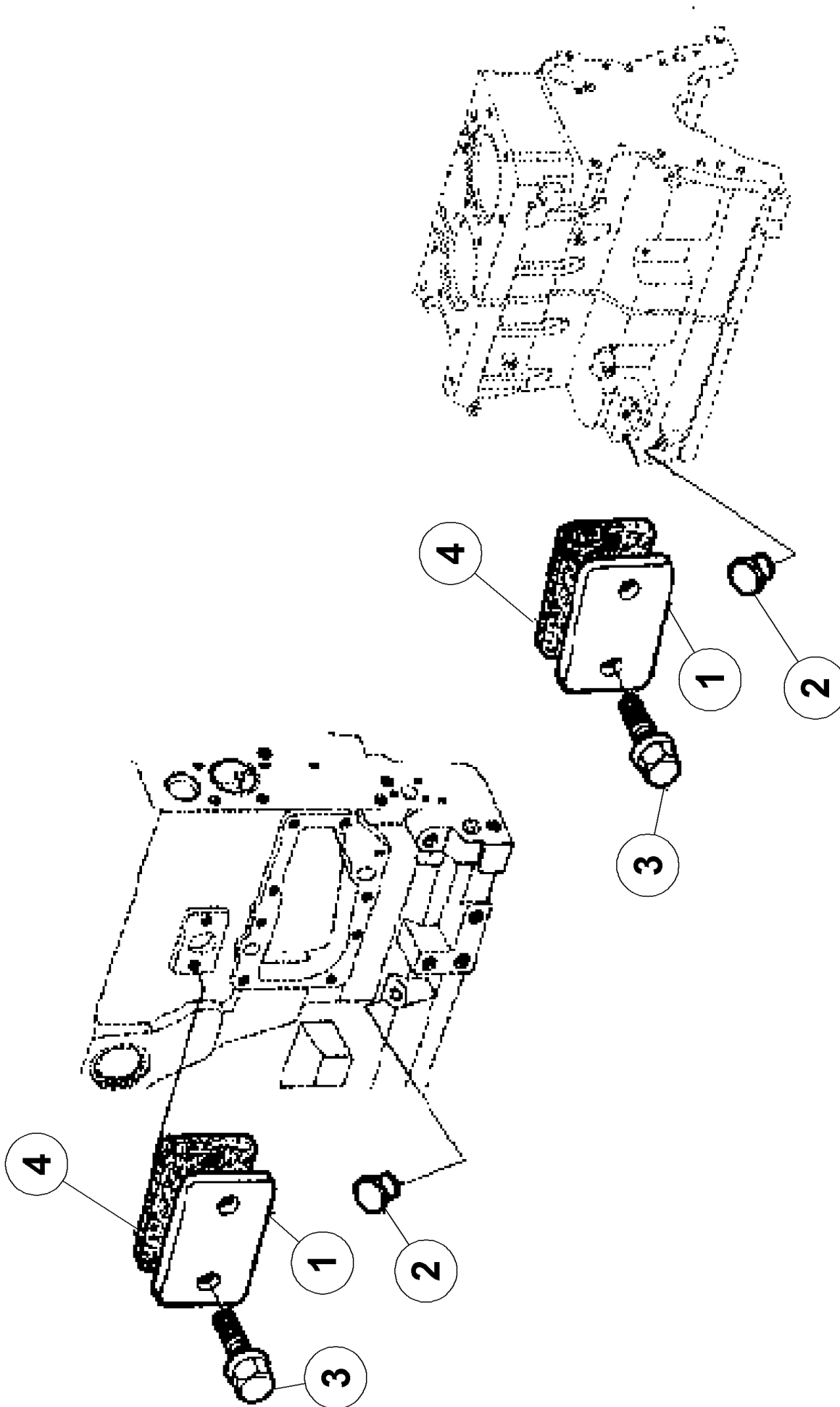
**160 OIL PAN**

<b>Pos.</b>	<b>Part No.</b>	<b>Description</b>	<b>Dimension</b>	<b>Quantity</b>	<b>Conditions</b>
1	<b>60 0502 665 7</b>	OIL SUMP		1	
2	<b>60 0502 625 1</b>	GASKET		1	
3	<b>60 0501 279 3</b>	LOCK		1	
4	<b>60 0501 211 0</b>	GASKET		1	
5	<b>60 0502 147 1</b>	SCREW		2	



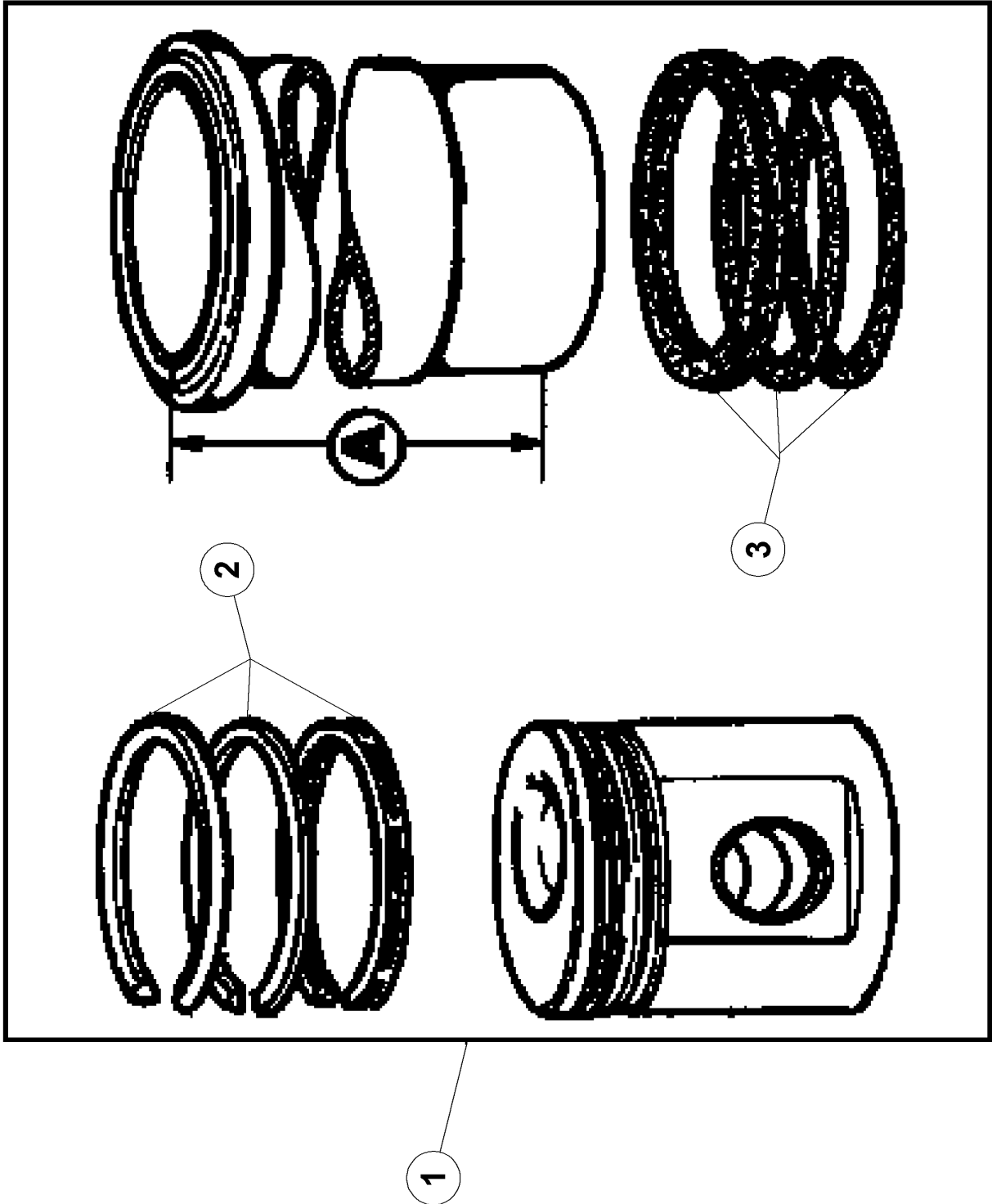
**160 OIL PAN**

<b>Pos.</b>	<b>Part No.</b>	<b>Description</b>	<b>Dimension</b>	<b>Quantity</b>	<b>Conditions</b>
1	<b>60 0501 361 0</b>	GAUGE		1	
2	<b>60 0501 334 6</b>	O-RING		1	
3	<b>60 0502 942 0</b>	TUBE		1	
4	<b>60 0502 145 6</b>	SCREW	M8X25	2	



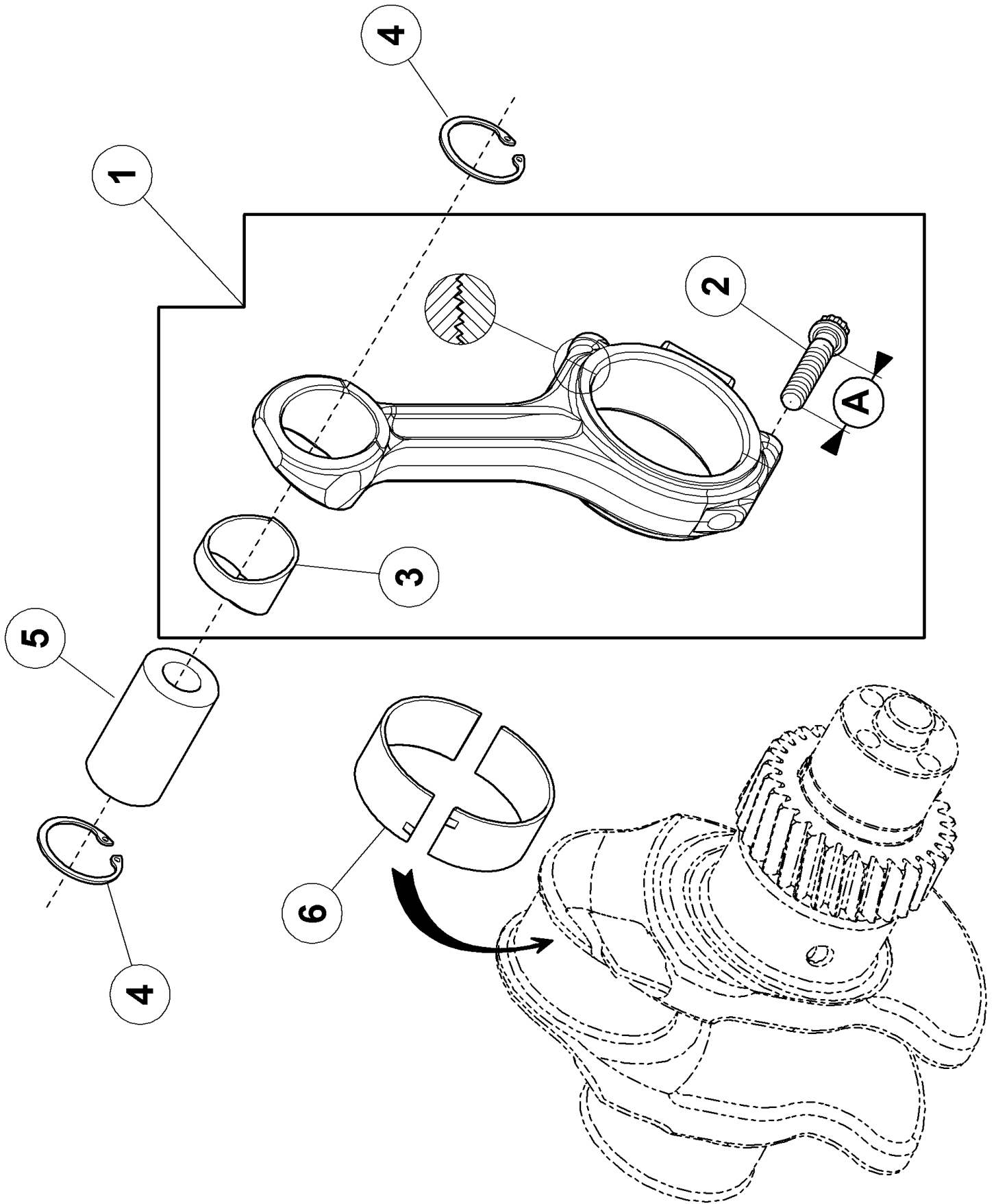
**180 PLUGS**

<b>Pos.</b>	<b>Part No.</b>	<b>Description</b>	<b>Dimension</b>	<b>Quantity</b>	<b>Conditions</b>
1	<b>60 0502 470 2</b>	PLATE		2	
2	<b>60 0502 662 4</b>	PLUG		2	
3	<b>60 0502 149 8</b>	SCREW	M8X20	4	
4	<b>60 0502 470 4</b>	GASKET		2	



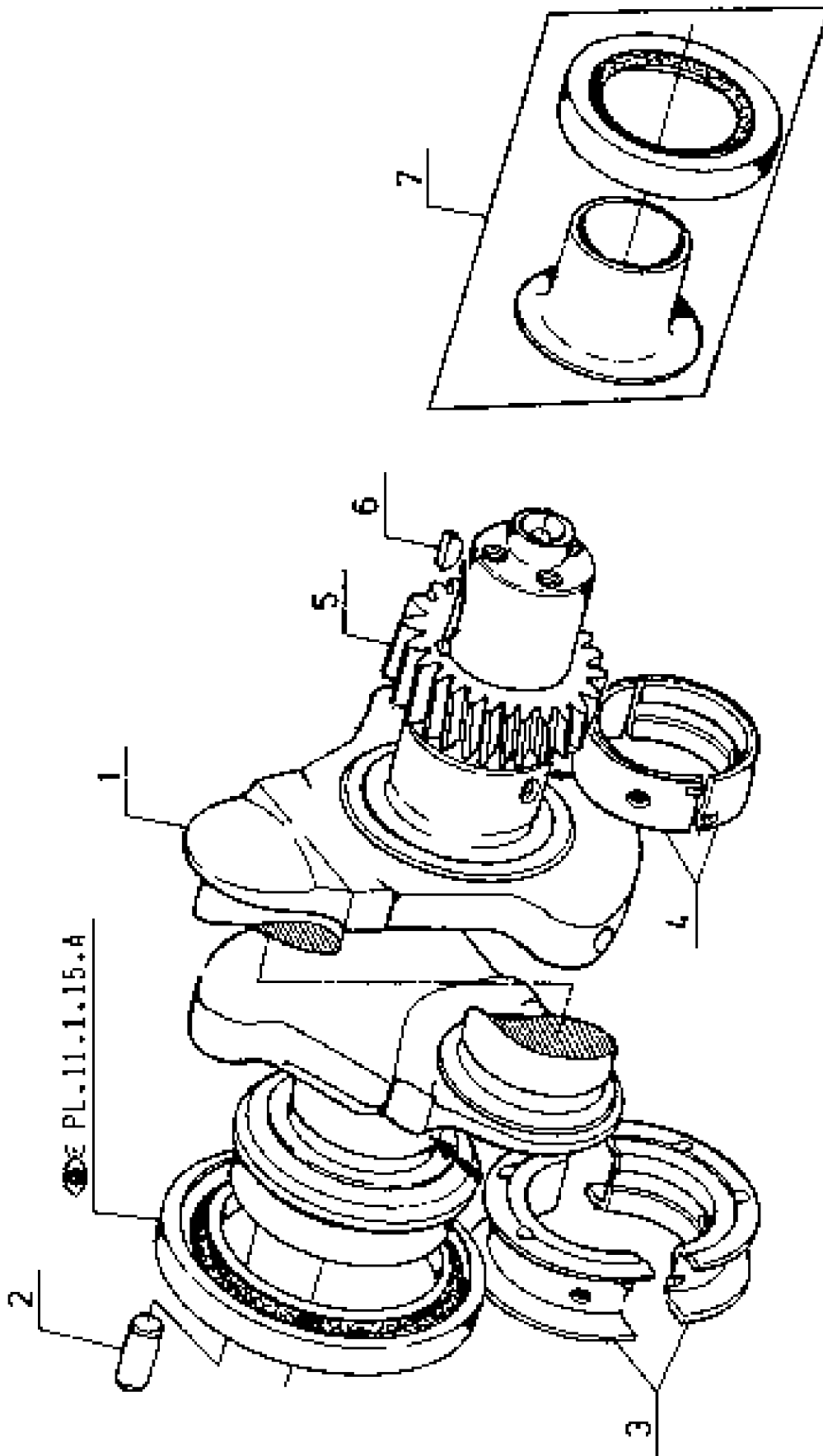
**100 CYLINDER LINER, PISTON**

Pos.	Part No.	Description	Dimension	Quantity	Conditions
1	<b>FA-CONSIGN ES</b>	Consignes - CS		4	1)
-		<i>Please order!</i> <i>60 0502 869 4 PISTON-LINER</i>		1,000	
2	<b>60 0502 869 5</b>	SET OF PISTON RINGS		1	
3	<b>60 0501 280 9</b>	SEALING RING SET		1	
<b>1)</b>	<b>Remarks</b>	A = 218mm			



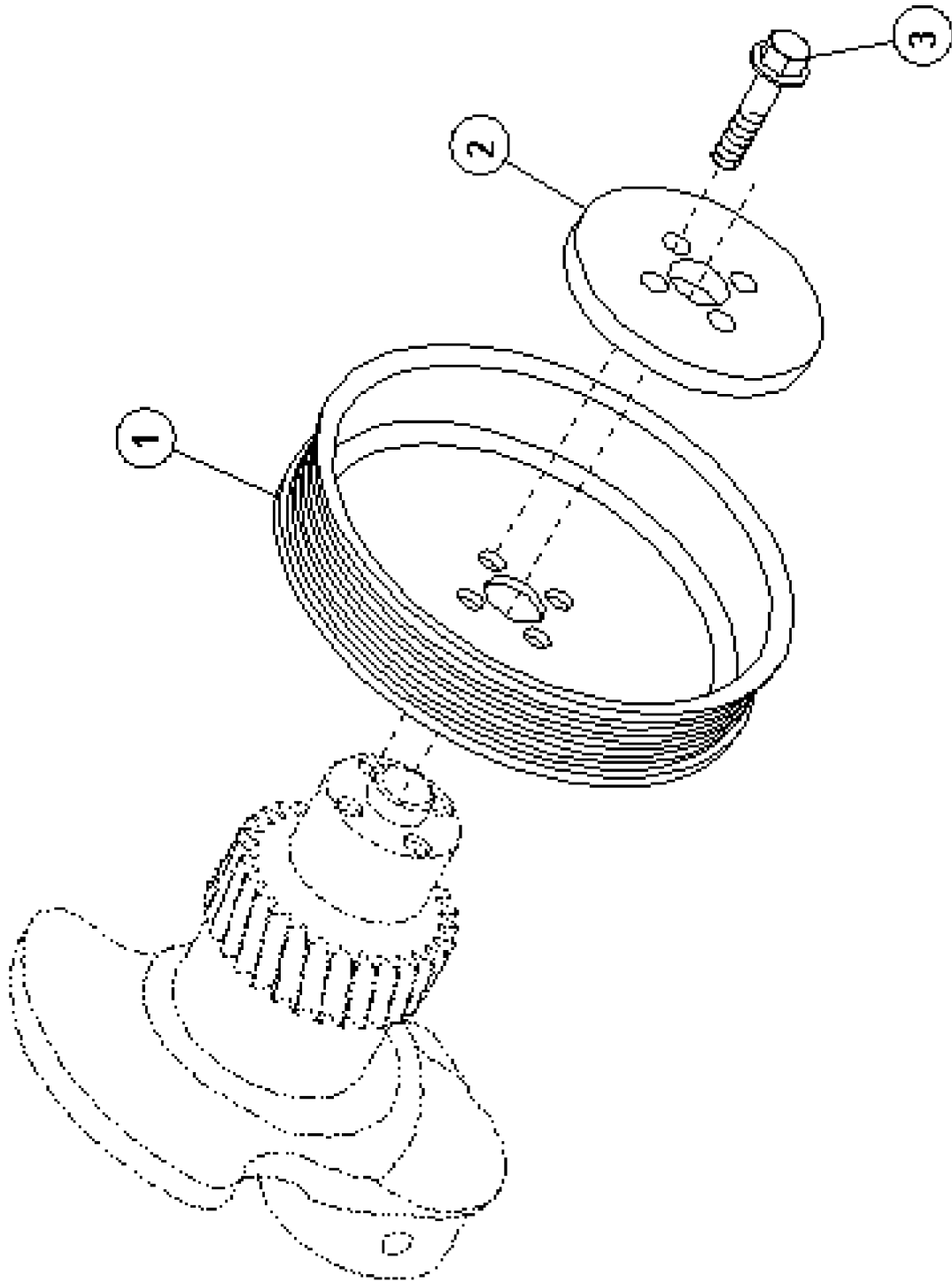
**120 CONNECTING ROD, CONNECTING ROD BEARINGS**

Pos.	Part No.	Description	Dimension	Quantity	Conditions
1	<b>60 0502 453 6</b>	CONNECTING ROD		4	
2	<b>60 0502 453 7</b>	SCREW	12 PTS M12 X 1,25 - 61	8	1)
3	<b>60 0502 147 6</b>	RING		4	
4	<b>60 0501 281 4</b>	INNER CIRCLIP		8	
5	<b>60 0502 147 7</b>	AXLE		4	
6	<b>60 0502 147 8</b>	BEARING		4	
6	<b>60 0502 147 9</b>	BEARING		4	2)
<b>1)</b>	<b>Remarks</b>		A = 61mm		
<b>2)</b>	<b>Remarks</b>		- 0,254mm		



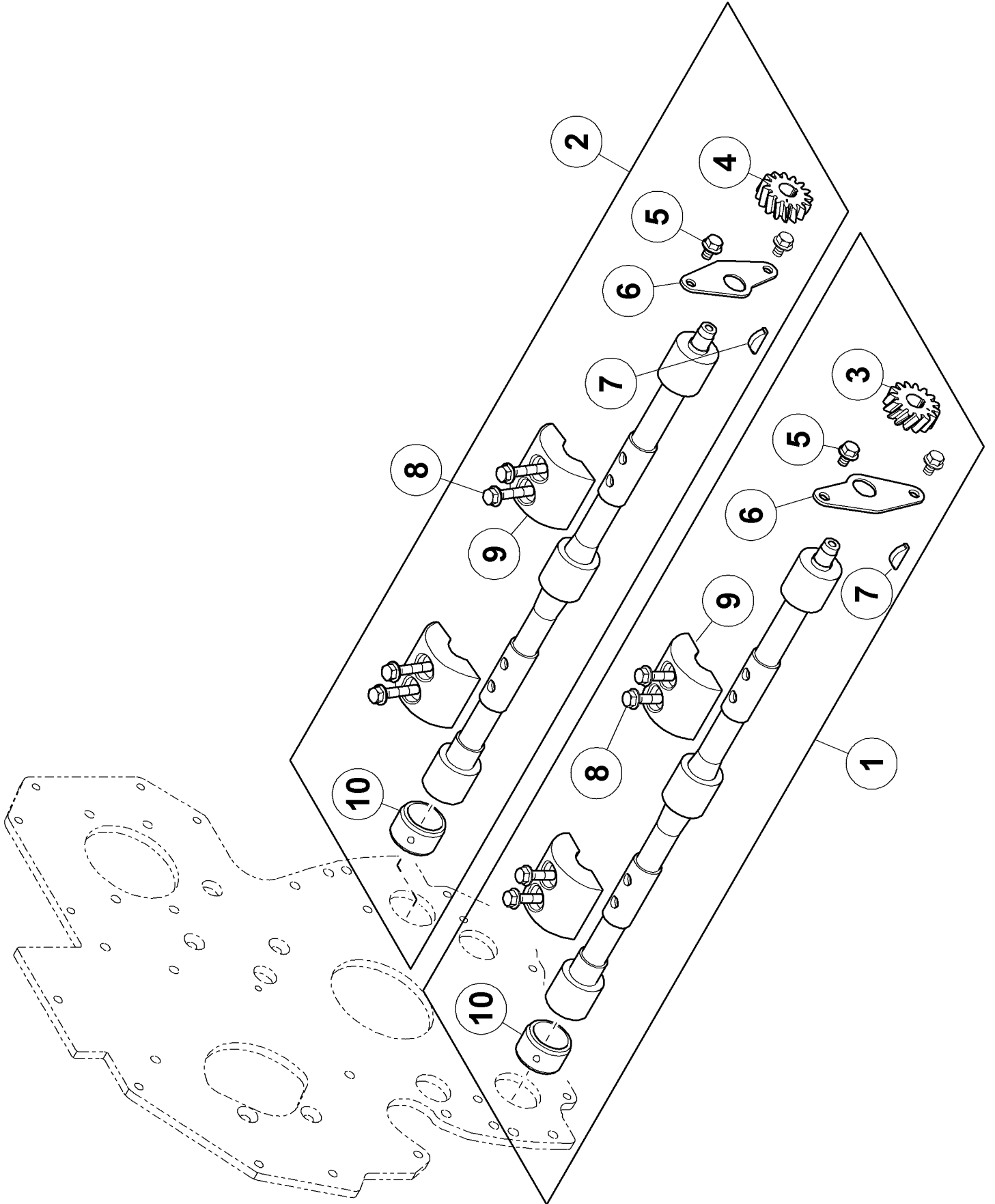
**140 CRANKSHAFT**

<b>Pos.</b>	<b>Part No.</b>	<b>Description</b>	<b>Dimension</b>	<b>Quantity</b>	<b>Conditions</b>
1	<b>60 0502 895 8</b>	CRANKSHAFT		1	
2	<b>60 0501 317 4</b>	CENTRING PIN		1	
3	<b>60 0502 148 1</b>	BEARING		1	
3	<b>60 0502 148 2</b>	BEARING		1	1)
4	<b>60 0502 148 3</b>	BEARING		4	
4	<b>60 0502 148 4</b>	BEARING		4	1)
5	<b>60 0502 148 5</b>	WHEEL		1	2)
6	<b>60 0502 148 6</b>	KEY		1	
7	<b>60 0502 148 7</b>	SLEEVE		1	
<b>1)</b>	<b>Remarks</b>		-0,254mm		
<b>2)</b>	<b>Remarks</b>		30Dts		



**161 CRANKSHAFT PULLEY WHEEL**

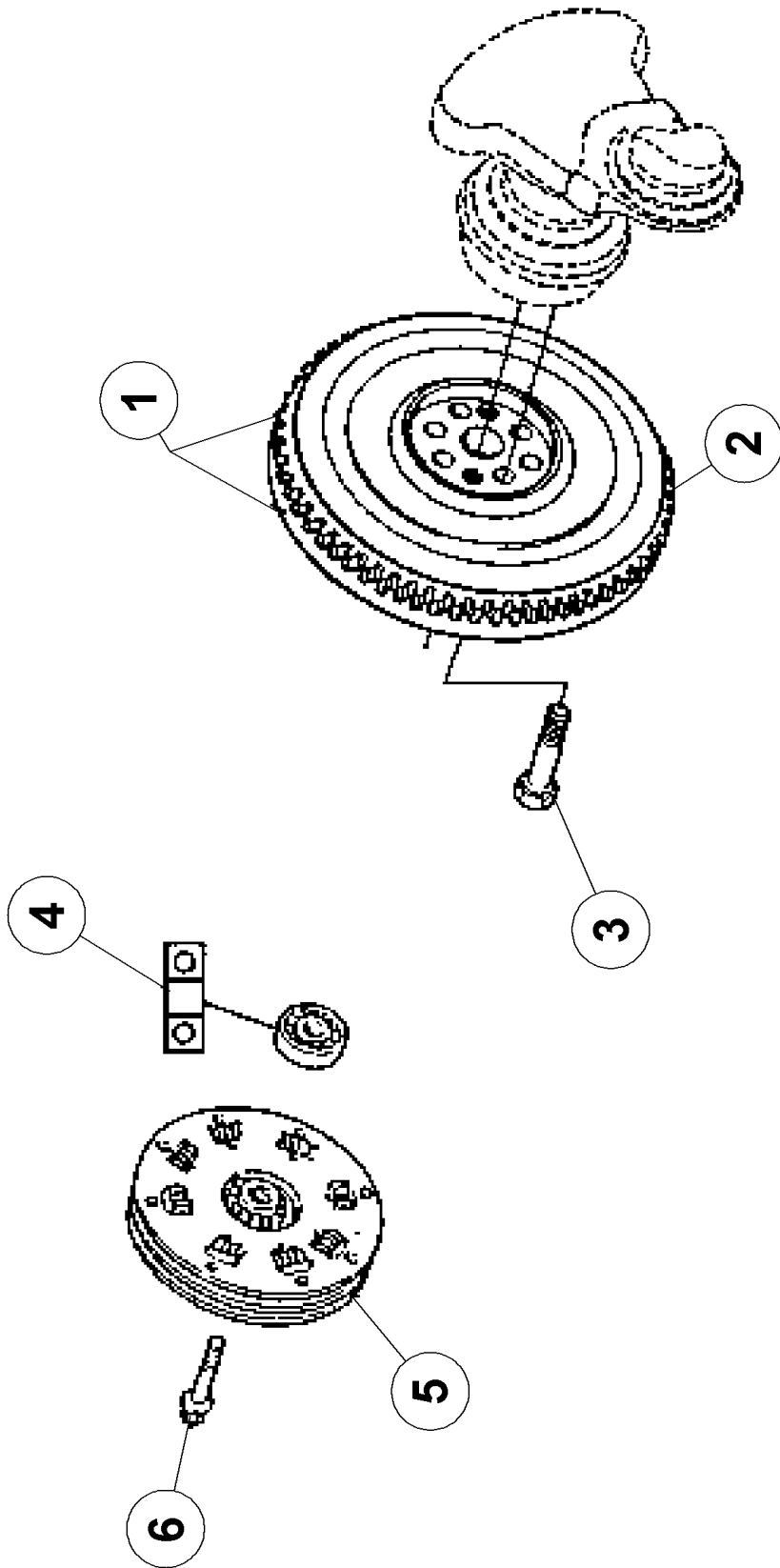
<b>Pos.</b>	<b>Part No.</b>	<b>Description</b>	<b>Dimension</b>	<b>Quantity</b>	<b>Conditions</b>
1	<b>60 0502 165 6</b>	CRANKSHAFT PULLEY		1	
2	<b>60 0502 599 0</b>	FLANGE		1	
3	<b>60 0502 165 7</b>	SCREW		4	



**200 MASS BALANCING**

<b>Pos.</b>	<b>Part No.</b>	<b>Description</b>	<b>Dimension</b>	<b>Quantity</b>	<b>Conditions</b>
1	<b>60 0502 594 0</b>	SHAFT		1	1)
2	<b>60 0502 594 1</b>	SHAFT		1	2)
3	<b>60 0502 594 2</b>	WHEEL		1	3)
4	<b>60 0502 594 3</b>	WHEEL		1	4)
5	<b>60 0502 594 5</b>	SCREW		2	
6	<b>FA-NFP</b>	NFP - CS		1	
7	<b>60 0502 148 6</b>	KEY		1	
8	<b>60 0502 340 7</b>	SCREW		4	
9	<b>60 0502 594 6</b>	FLYWEIGHT		2	
10	<b>60 0502 593 1</b>	RING		3	

<b>1) Remarks</b>	D.
<b>2) Remarks</b>	G.
<b>3) Remarks</b>	D. 15Dts
<b>4) Remarks</b>	G. 15Dts





**Suggest:**

**For more complete manuals. Please go to the home page.**

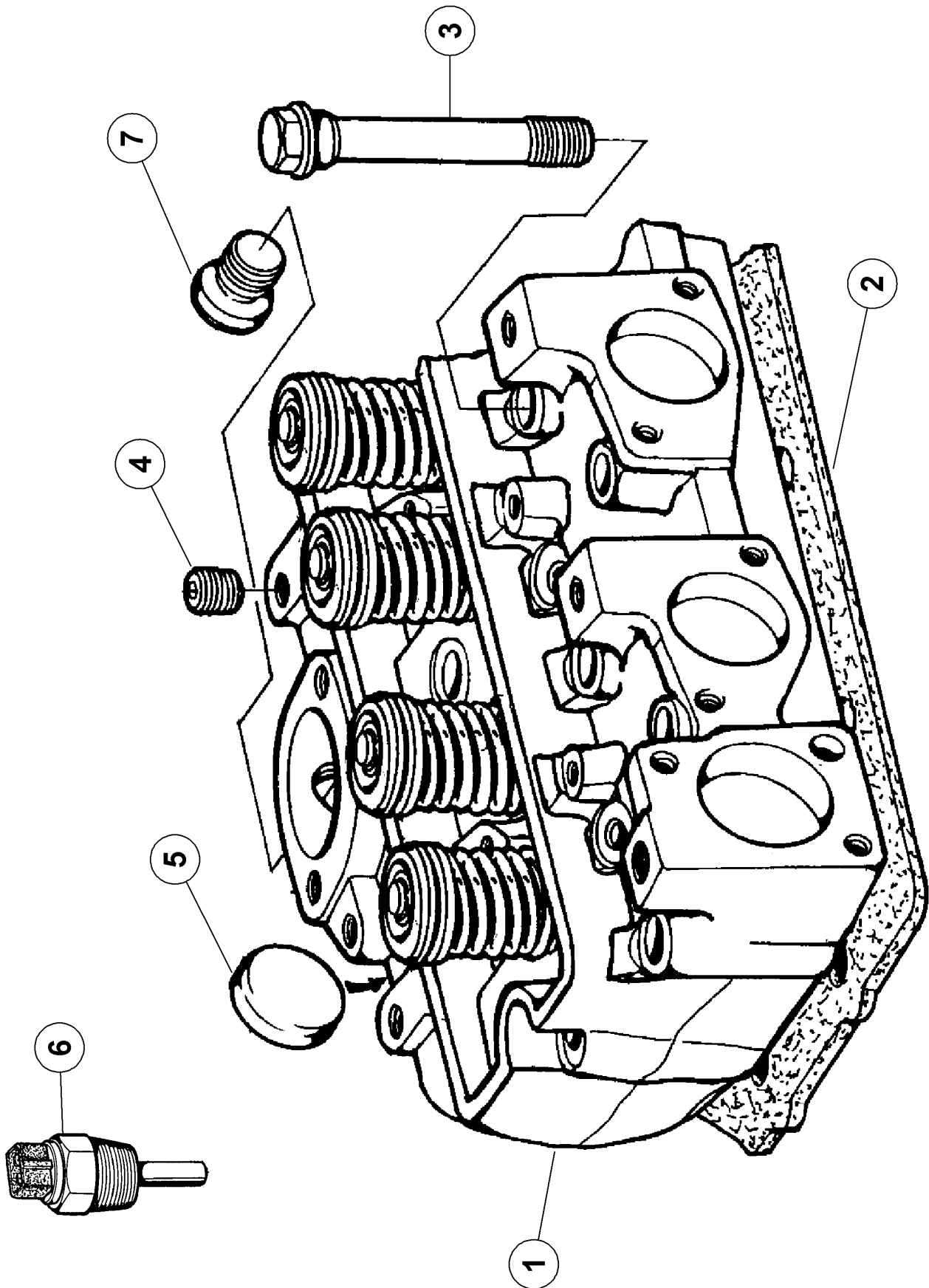
**<https://www.ebooklibonline.com>**

**If the above button click is invalid. Please download this document first, and then click the above link to download the complete manual.**

**Thank you so much for reading**

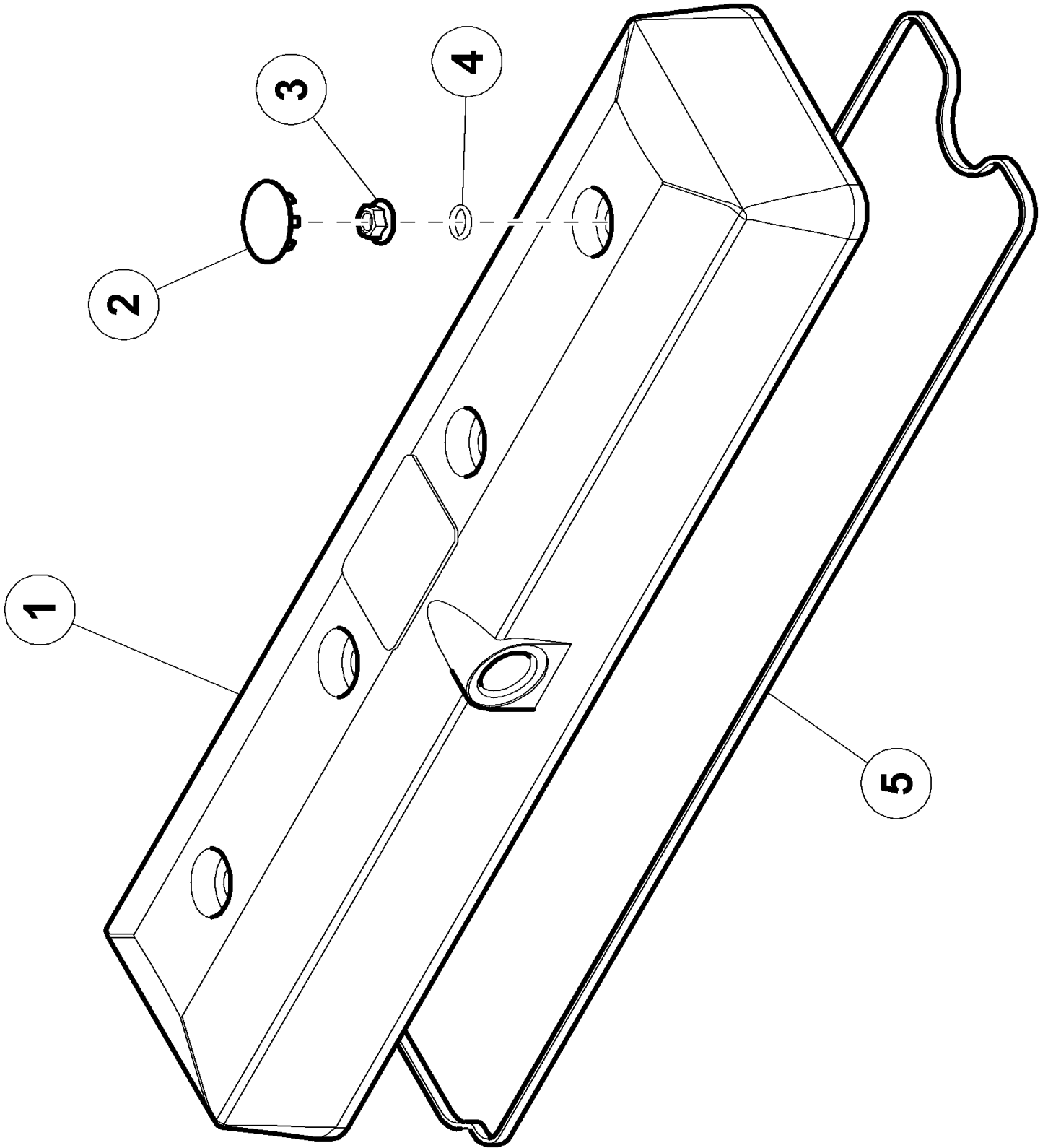
**220 FLYWHEEL**

<b>Pos.</b>	<b>Part No.</b>	<b>Description</b>	<b>Dimension</b>	<b>Quantity</b>	<b>Conditions</b>
1	<b>77 0004 872 4</b>	FLYWHEEL		1	
2	<b>77 0004 531 5</b>	TOOTHED RIM		1	
3	<b>60 0502 625 8</b>	SCREW	12 X 1,75 -37 - M12X40	4	
4	<b>77 0103 068 6</b>	BEARING-1 BALL	6305-2RS	1	1)
5	<b>77 0006 704 0</b>	HUB		1	
6	<b>77 0001 693 5</b>	SCREW	M10X40-V.RIPP ERS.D.1007	8	2)
<b>1)</b>	<b>Remarks</b>		25X62X17		
<b>2)</b>	<b>Remarks</b>		HM10X150-40		



**100 CYLINDER HEAD**

<b>Pos.</b>	<b>Part No.</b>	<b>Description</b>	<b>Dimension</b>	<b>Quantity</b>	<b>Conditions</b>
1	<b>60 0502 594 8</b>	CYLINDER HEAD		1	
2	<b>60 0502 594 9</b>	CYLINDER HEAD GASKET		1	
3	<b>60 0501 288 6</b>	SCREW		18	
4	<b>60 0502 144 0</b>	LOCK		1	
5	<b>60 0501 288 3</b>	LOCK		1	
5	<b>60 0502 149 2</b>	PLUG		2	
6	<b>60 0501 344 2</b>	SENDER UNIT		1	
7	<b>60 0501 591 9</b>	PLUG		1	



**<https://www.ebooklibonline.com>**

Hello dear friend!

Thank you very much for reading.

Enter the link into your browser.

The full manual is available for immediate download.

**<https://www.ebooklibonline.com>**