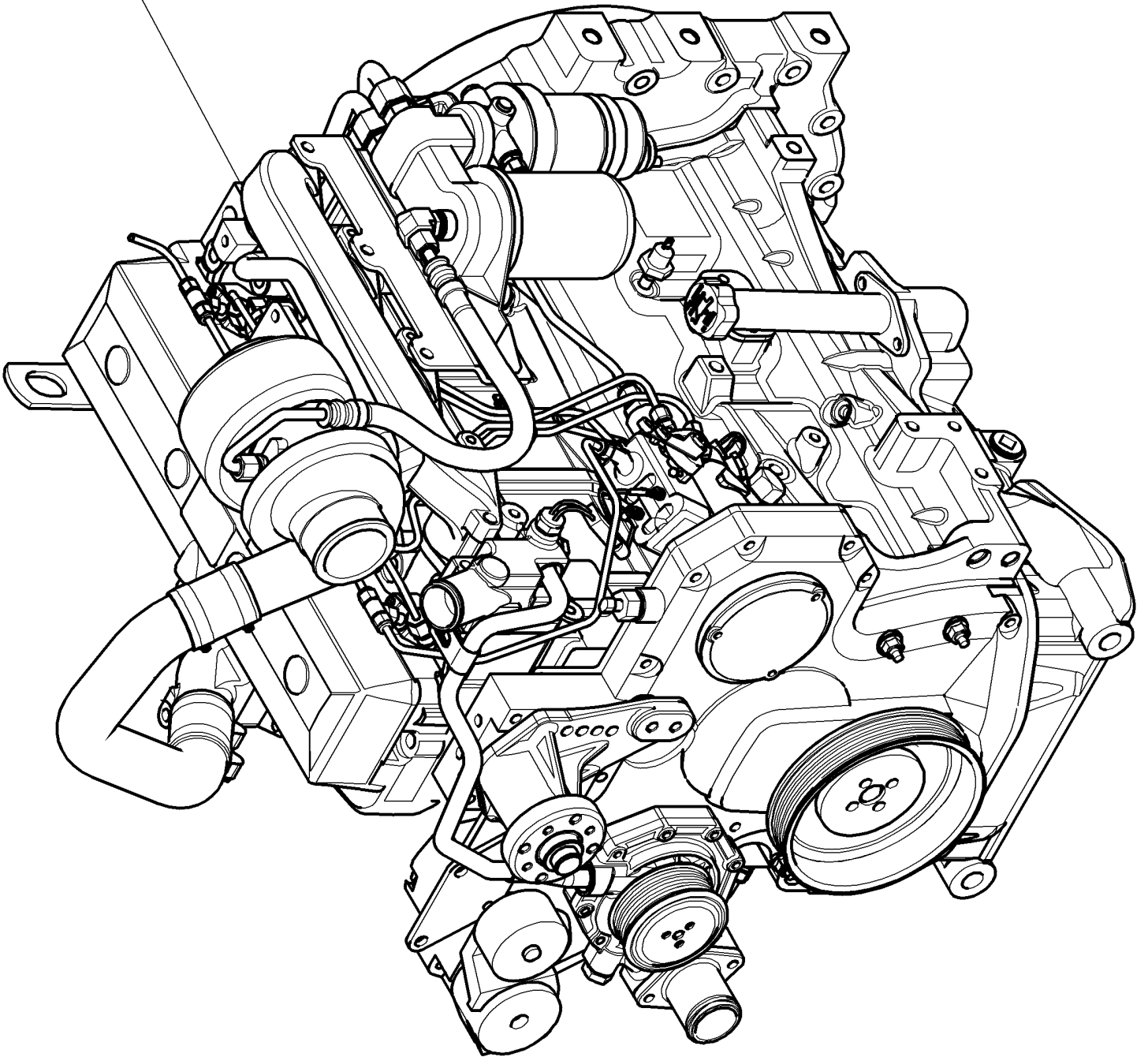
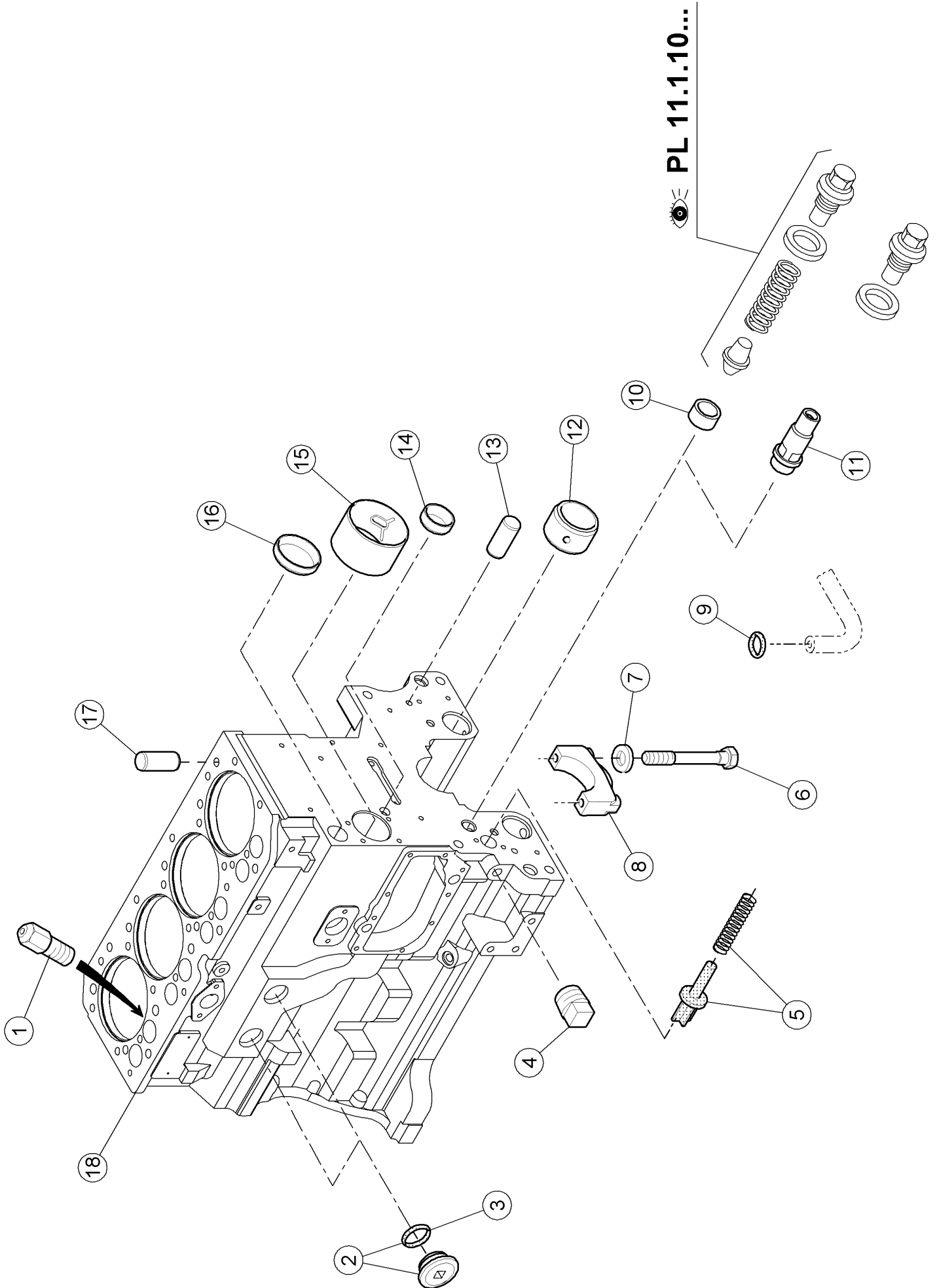


1



010 COMPLETE ENGINE

Pos.	Part No.	Description	Dimension	Quantity	Conditions
1	77 0006 016 5	ENGINE		1	1)
1	77 0006 016 6	ENGINE		1	2)
1	77 0006 016 7	ENGINE		1	3)
1)	Homologationtype		+ 5312 ->PL.10.1.03.A		
2)	Homologationtype		+ 5322 ->PL.10.1.03.A		
3)	Homologationtype		+ 5332 ->PL.10.1.03.A		



<https://www.ebooklibonline.com>

Hello dear friend!

Thank you very much for reading.

Enter the link into your browser.

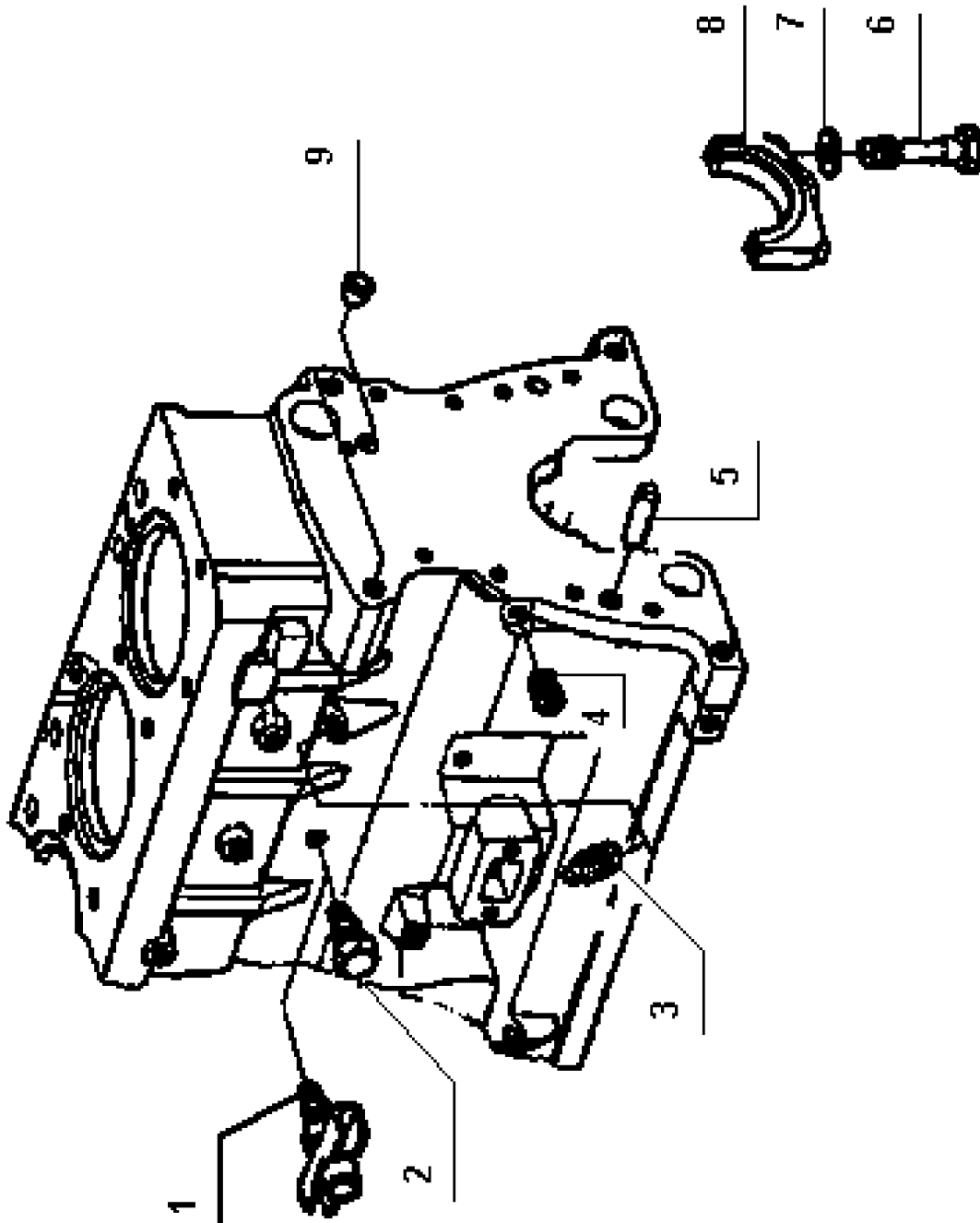
The full manual is available for immediate download.

<https://www.ebooklibonline.com>

100 CRANKCASE

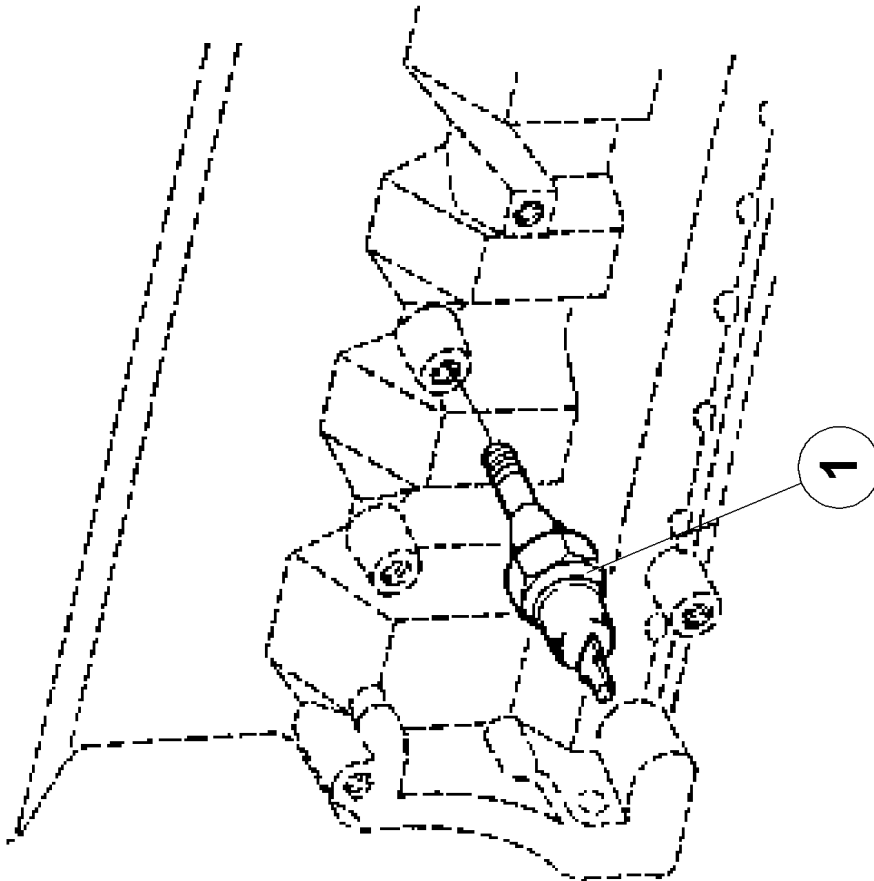
Pos.	Part No.	Description	Dimension	Quantity	Conditions
1	60 0502 143 6	SPRAY NOZZLE		4	
2	60 0502 339 5	LOCK		2	
3	60 0502 339 4	O-RING		2	
4	60 0501 320 2	LOCK		1	
5	60 0501 402 9	VALVE		1	
6	60 0501 320 6	SCREW		8	
7	60 0502 143 7	WASHER	13X22X2,5	8	
8	60 0502 143 8	COVER		4	
9	60 0501 320 3	O-RING		1	
10	60 0501 319 9	BUSHING		1	1)
11	60 0502 869 1	VALVE		1	2)
12	60 0502 593 1	RING		6	
13	60 0501 319 6	CENTRING PIN		2	
14	60 0501 319 8	BLANKING COVER		2	
15	60 0501 294 1	BEARING		1	
16	60 0502 143 9	BLANKING COVER		1	
17	60 0501 317 4	CENTRING PIN		4	
18	FA-CONSIGN ES	Consignes - CS		1	
-		<i>Please order!</i>			
	<i>00 1130 608 0</i>	<i>SEALING RING SET</i>		1,000	
	<i>60 0502 866 8</i>	<i>SCREW</i>		1,000	
	<i>60 0503 025 4</i>	<i>SHORT BLOCK</i>		1,000	
	<i>60 0503 052 4</i>	<i>CRANKSHAFT PULLEY</i>		1,000	
	<i>60 0503 052 5</i>	<i>WASHER</i>		1,000	

1)	Motor	4045TRT53	up to CD4045T663165
		4045TRT54	up to CD4045T663165
		4045TRT55	up to CD4045T663165
2)	Motor	4045TRT53	from CD4045T663166
		4045TRT54	from CD4045T663166
		4045TRT55	from CD4045T663166



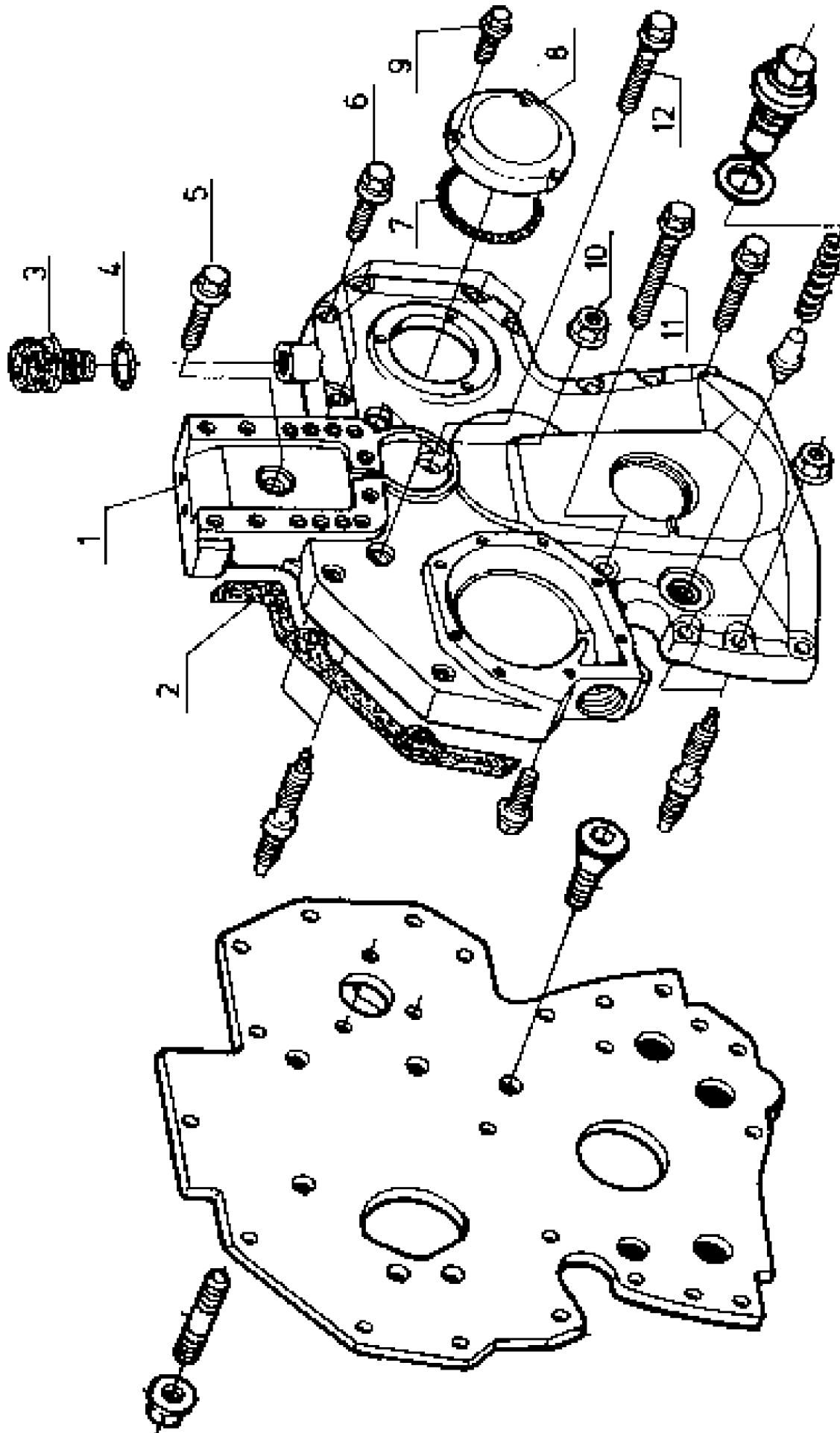
100 CRANKCASE

Pos.	Part No.	Description	Dimension	Quantity	Conditions
1	60 0501 320 7	VALVE		1	1)
2	60 0502 665 3	PLUG		1	
3	60 0501 321 0	PLUG		1	1)
4	60 0502 144 0	LOCK		5	
5	60 0501 317 4	CENTRING PIN		4	
6	60 0501 320 6	SCREW		2	
7	60 0502 143 7	WASHER	13X22X2,5	2	
8	60 0502 144 1	COVER		1	
9	60 0501 319 8	BLANKING COVER		2	
1)	Remarks		S.R.		



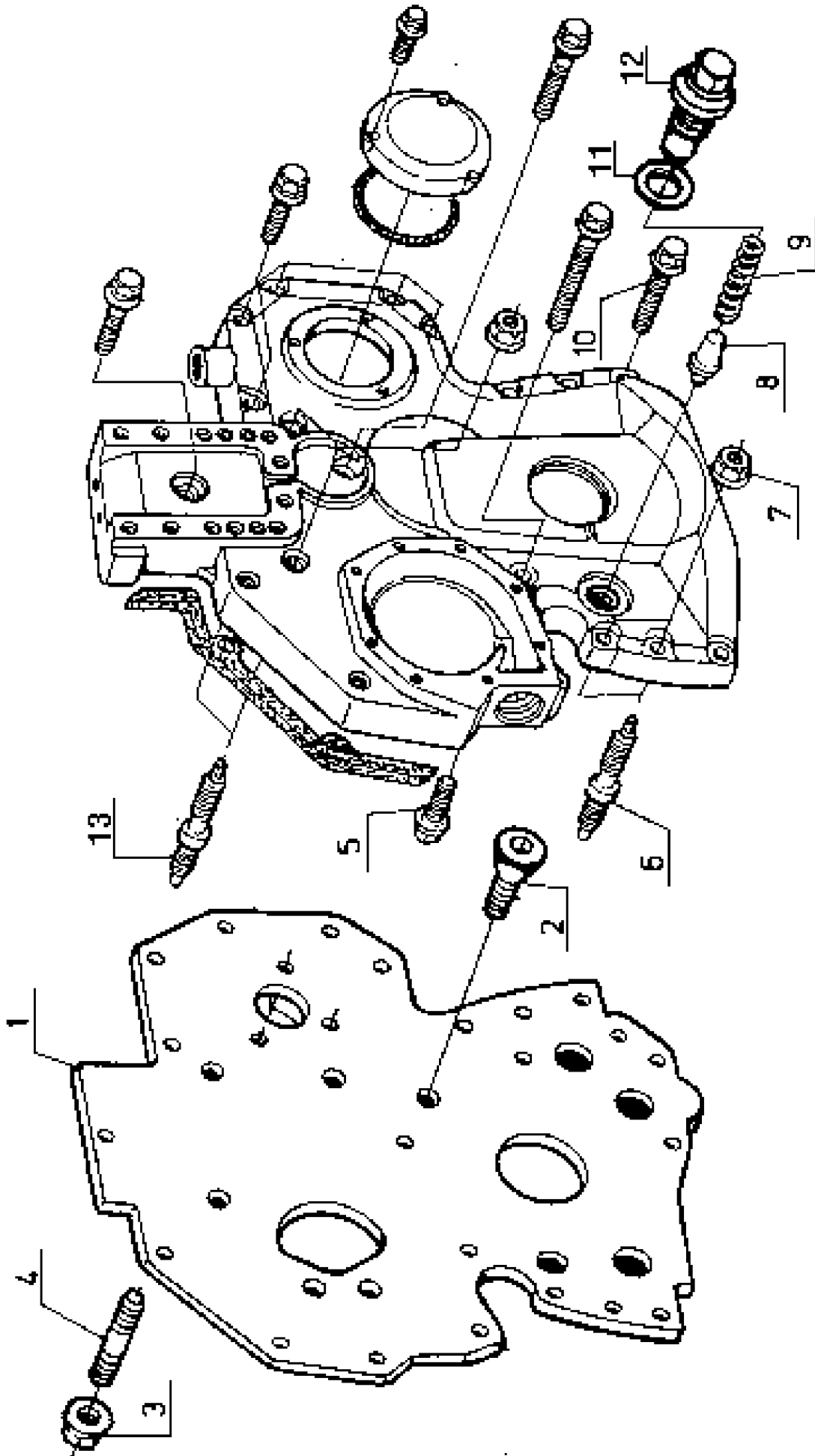
100 CRANKCASE

Pos.	Part No.	Description	Dimension	Quantity	Conditions
1	60 0501 342 7	TRANSMITTER		1	



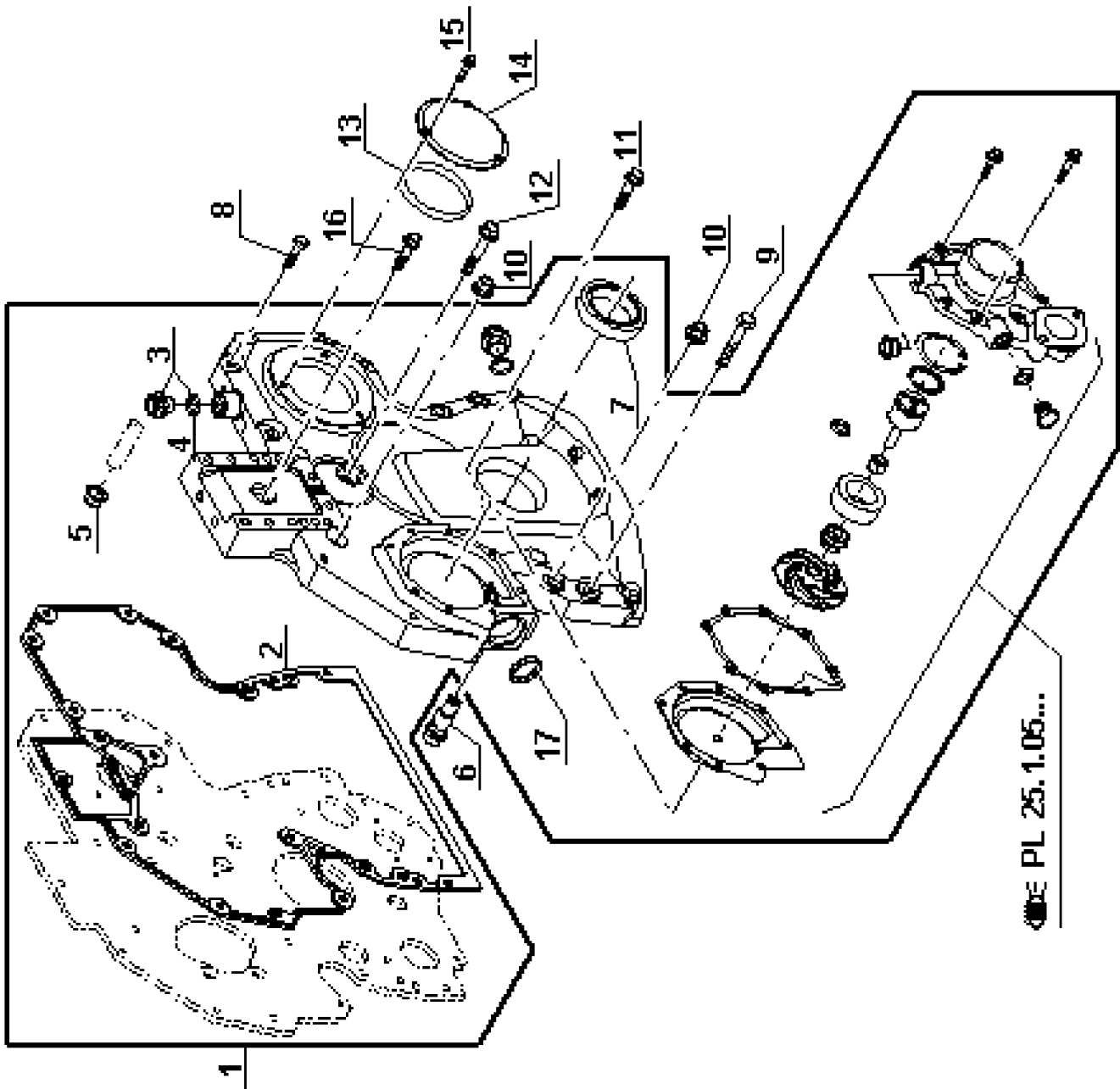
120 TIMING CASE 1)

Pos.	Part No.	Description	Dimension	Quantity	Conditions
1	FA-CONSIGN ES	Consignes - CS		1	
-		<i>Please order!</i> 60 0502 869 0 HOUSING		1,000	
2	60 0502 144 3	GASKET		1	
3	60 0502 895 5	SCREW PLUG	F-M20X1,5	1	
4	77 0002 464 6	O-RING	17X2-N ERS.D. 0238209.0	1	
5	60 0502 144 4	SCREW	M8X35	1	
6	60 0502 144 5	SCREW	M8X45	6	
7	60 0502 144 6	O-RING		1	
8	60 0502 144 7	COVER		1	2)
9	60 0502 144 8	SCREW	M6X16	3	2)
10	60 0502 144 9	NUT		6	
11	60 0502 145 0	SCREW	M08X60	1	
12	60 0502 339 6	SCREW		1	
1)	Motor	4045TRT53 4045TRT54 4045TRT55			up to CD4045T693156 up to CD4045T693156 up to CD4045T693156
2)	Motor	4045TRT53 4045TRT54 4045TRT55			up to CD4045T663165 up to CD4045T663165 up to CD4045T663165



120 TIMING CASE 1)

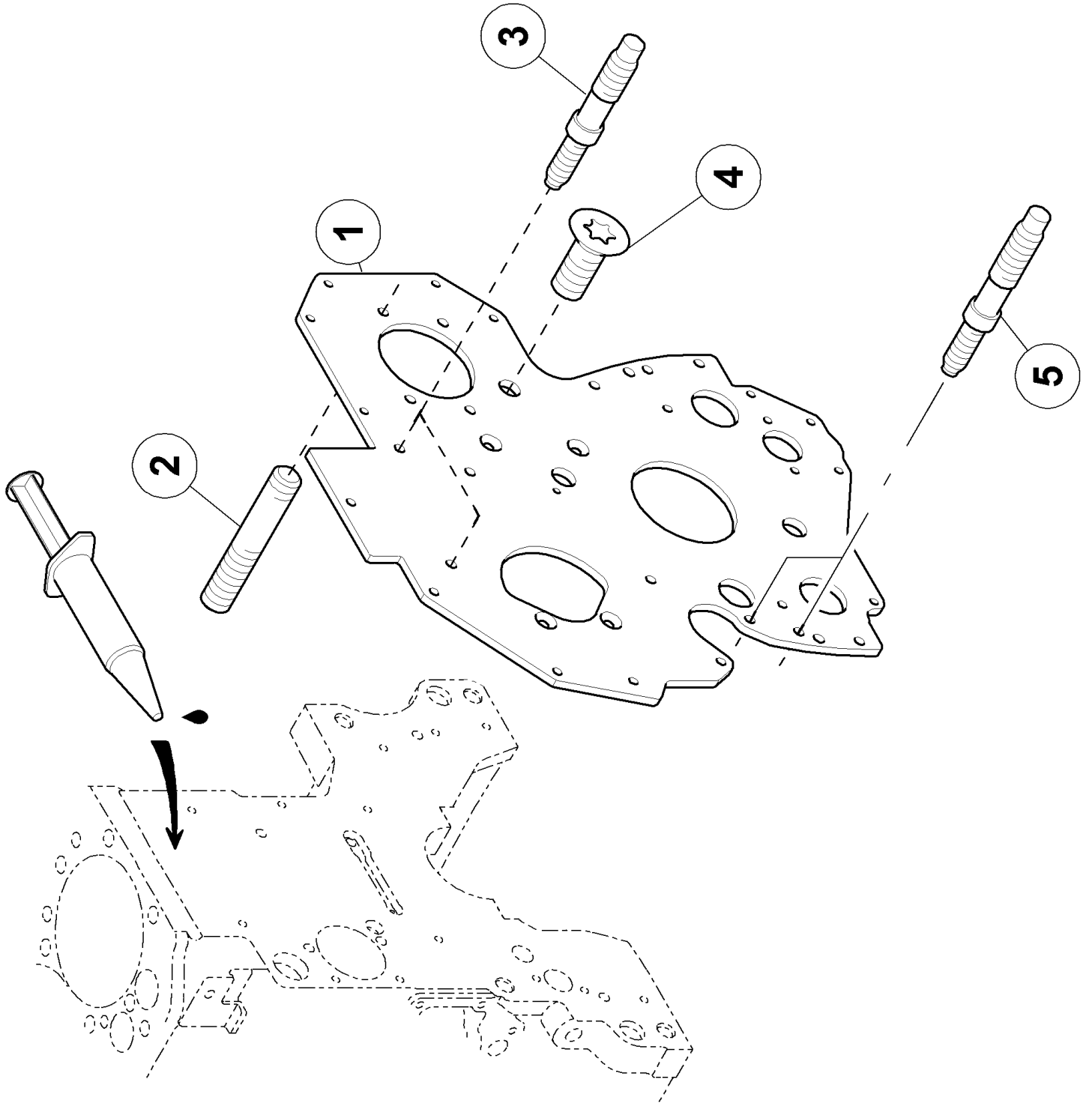
Pos.	Part No.	Description	Dimension	Quantity	Conditions
1	60 0502 145 2	PLATE		1	
2	60 0502 339 7	SCREW		4	
3	60 0502 145 4	FLANGE NUT	M08	3	
4	60 0502 145 5	STUD BOLT		3	
5	60 0502 145 6	SCREW	M8X25	1	
6	60 0502 145 7	STUD BOLT		4	
7	60 0502 144 9	NUT		6	
8	60 0501 277 5	VALVE		1	
9	60 0502 593 4	SPRING		1	
10	60 0502 145 8	SCREW		2	
11	60 0501 277 2	WASHER		1	
12	60 0501 277 1	SCREW		1	
13	60 0502 339 8	STUD BOLT		2	
1)	Motor	4045TRT53			up to CD4045T693156
		4045TRT54			up to CD4045T693156
		4045TRT55			up to CD4045T693156



PL 25.1.05...

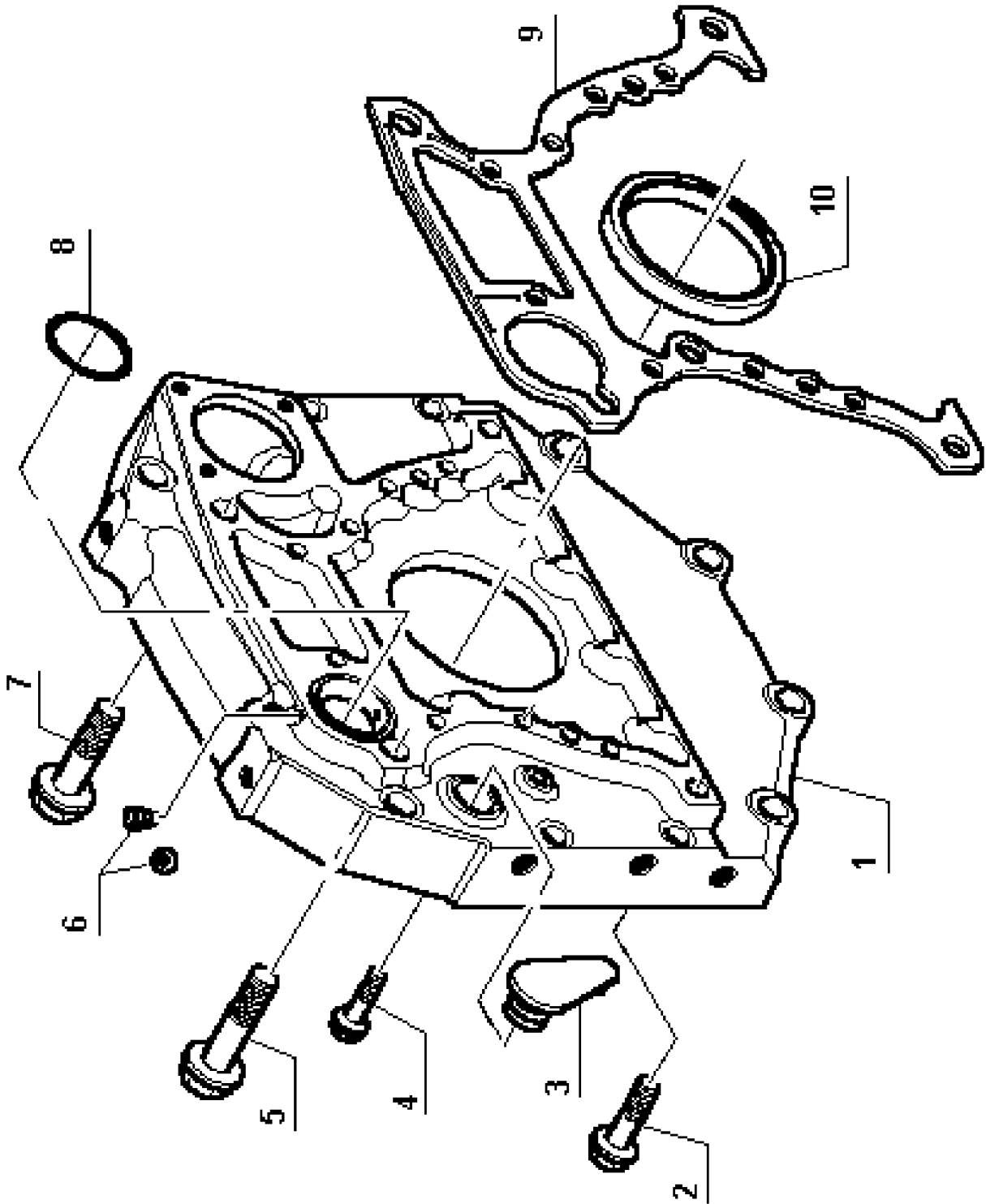
120 TIMING CASE 1)

Pos.	Part No.	Description	Dimension	Quantity	Conditions
1	60 0502 869 0	HOUSING		1	
2	60 0502 144 3	GASKET		1	
3	60 0502 895 5	SCREW PLUG	F-M20X1,5	1	
4	77 0002 464 6	O-RING	17X2-N ERS.D. 0238209.0	1	
5	60 0502 163 0	SEALING RING		1	
6	60 0502 869 1	VALVE		1	
7	60 0503 024 7	SEALING RING		1	
8	60 0502 144 5	SCREW	M8X45	6	
9	60 0502 145 8	SCREW		2	
10	60 0502 144 9	NUT		6	
11	60 0502 145 0	SCREW	M08X60	1	
12	60 0502 339 6	SCREW		1	
13	60 0502 144 6	O-RING		1	
14	60 0502 144 7	COVER		1	
15	60 0502 144 8	SCREW	M6X16	3	
16	60 0502 144 4	SCREW	M8X35	1	
17	60 0500 796 4	O-RING	37,69 X 3,53 NBR 80	1	
1)	Motor	4045TRT53	from CD4045T691357		
		4045TRT54	from CD4045T691357		
		4045TRT55	from CD4045T691357		



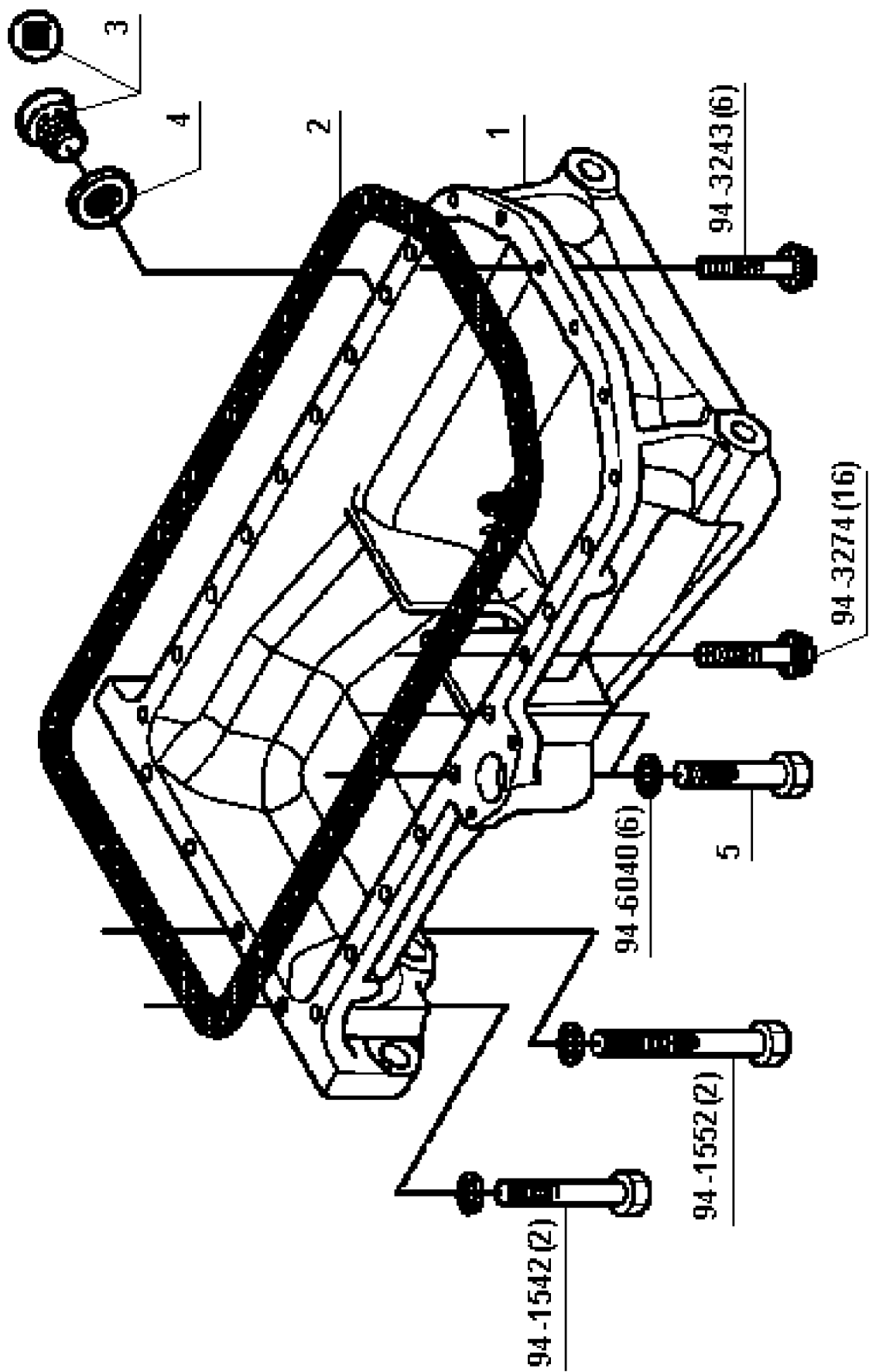
120 TIMING CASE 1)

Pos.	Part No.	Description	Dimension	Quantity	Conditions
1	60 0502 145 2	PLATE		1	
2	60 0502 145 5	STUD BOLT		3	
3	60 0502 339 8	STUD BOLT		2	
4	60 0502 339 7	SCREW		4	
5	60 0502 145 7	STUD BOLT		4	
1)	Motor	4045TRT53	from CD4045T691357		
		4045TRT54	from CD4045T691357		
		4045TRT55	from CD4045T691357		



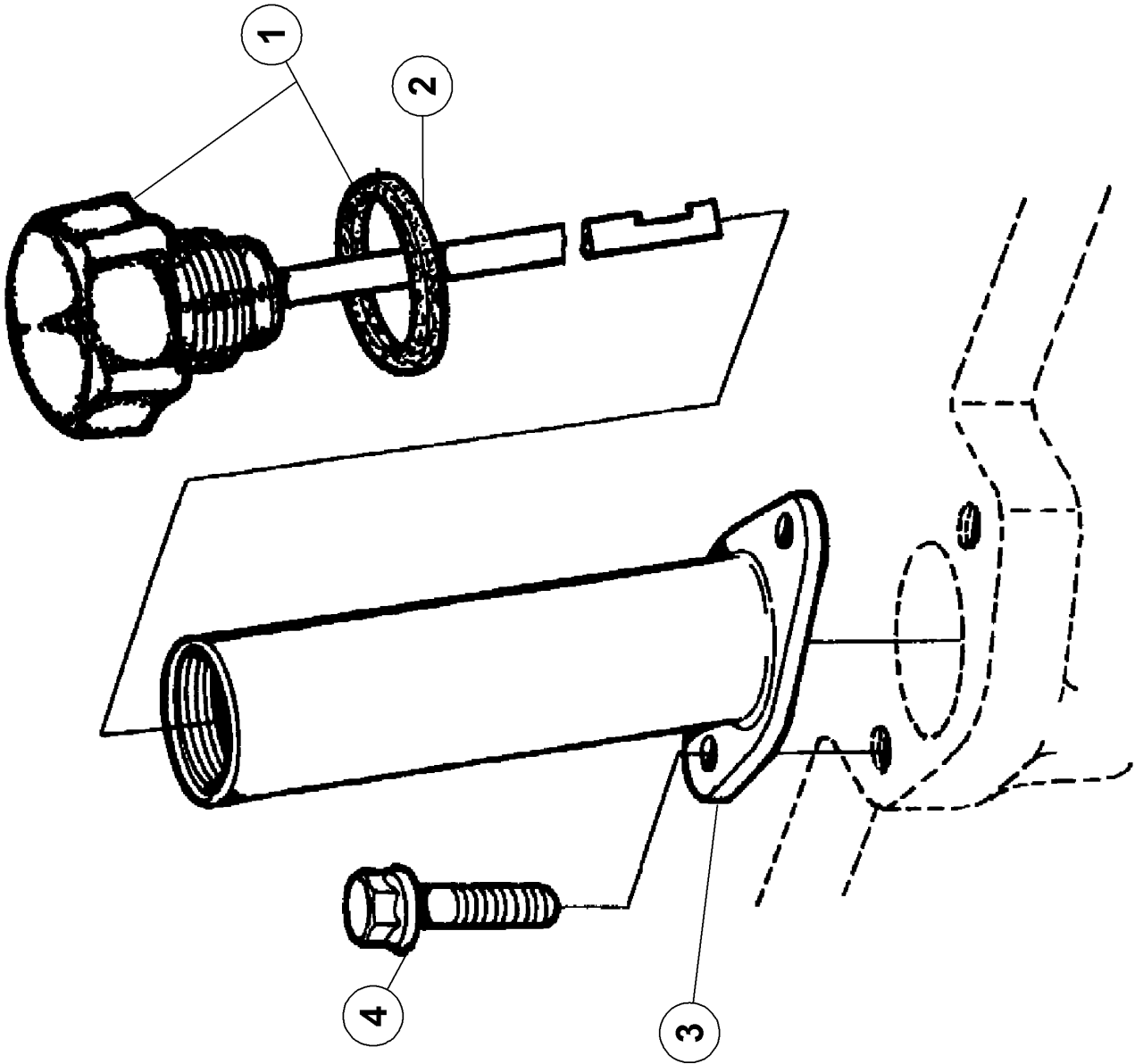
140 FLYWHEEL HOUSING

Pos.	Part No.	Description	Dimension	Quantity	Conditions
1	60 0502 665 6	HOUSING		1	
2	60 0502 777 3	SCREW	M16X60	2	
3	60 0501 611 6	BLANKING COVER		1	
4	60 0502 146 7	SCREW	M12X40	8	
5	60 0502 777 3	SCREW	M16X60	1	
6	60 0502 146 4	LOCK		1	
7	60 0502 146 5	SCREW		1	
8	60 0501 604 9	O-RING		1	
9	77 0005 577 1	GASKET		1	
10	60 0501 279 0	SHAFT SEAL	118X146X15	1	



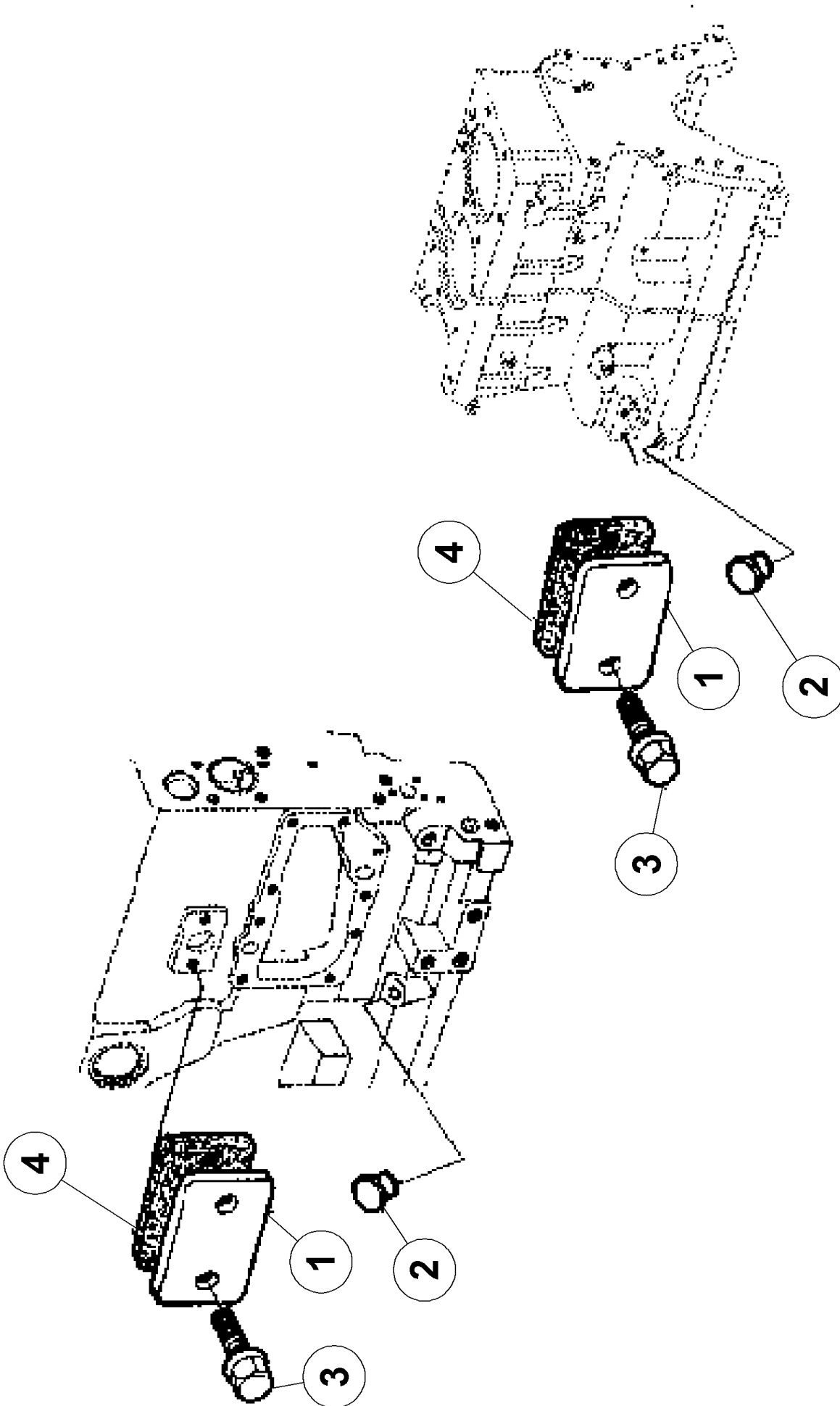
160 OIL PAN

Pos.	Part No.	Description	Dimension	Quantity	Conditions
1	60 0502 665 7	OIL SUMP		1	
2	60 0502 625 1	GASKET		1	
3	60 0501 279 3	LOCK		1	
4	60 0501 211 0	GASKET		1	
5	60 0502 147 1	SCREW		2	



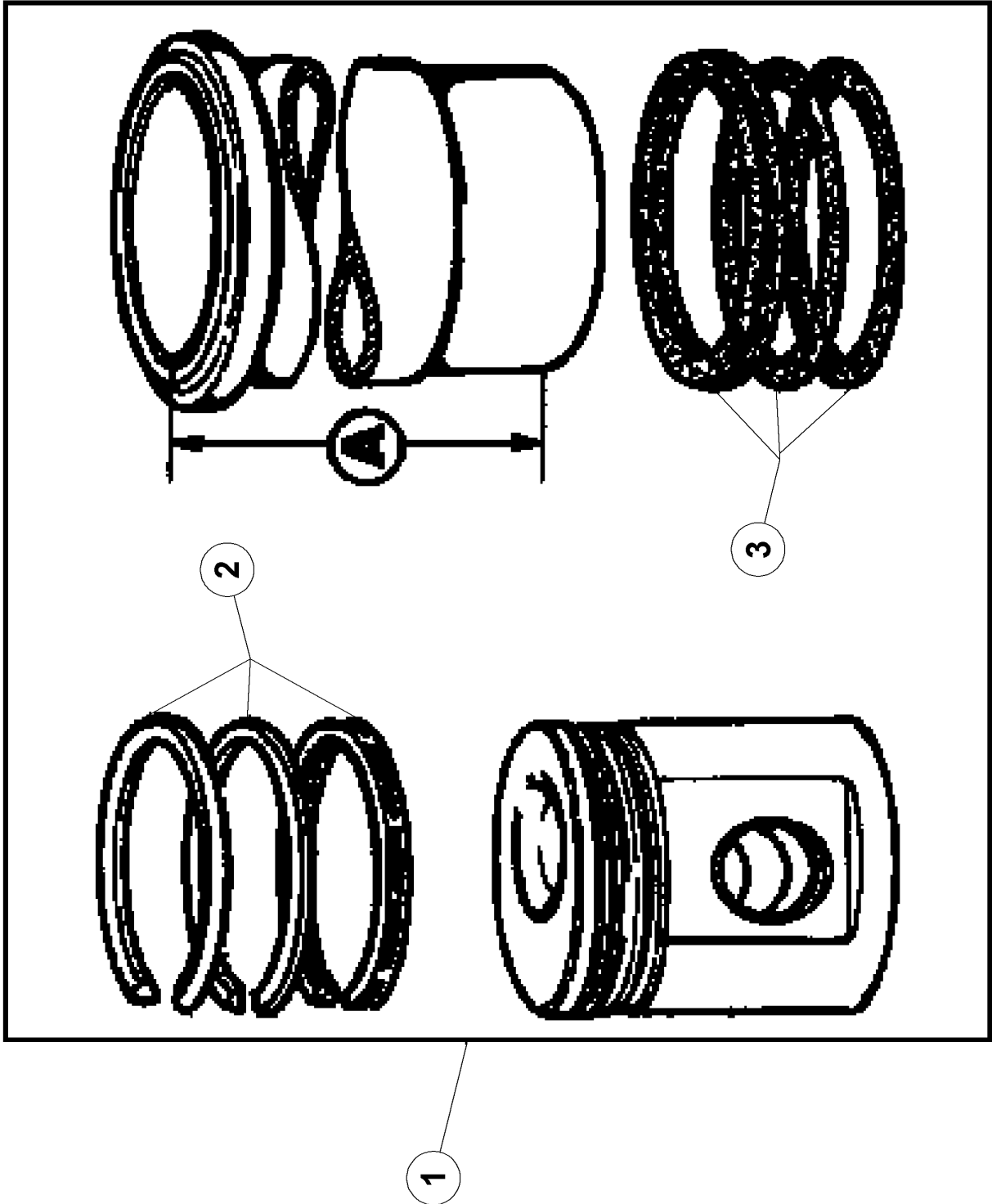
160 OIL PAN

Pos.	Part No.	Description	Dimension	Quantity	Conditions
1	60 0501 361 0	GAUGE		1	
2	60 0501 334 6	O-RING		1	
3	60 0502 942 0	TUBE		1	
4	60 0502 145 6	SCREW	M8X25	2	



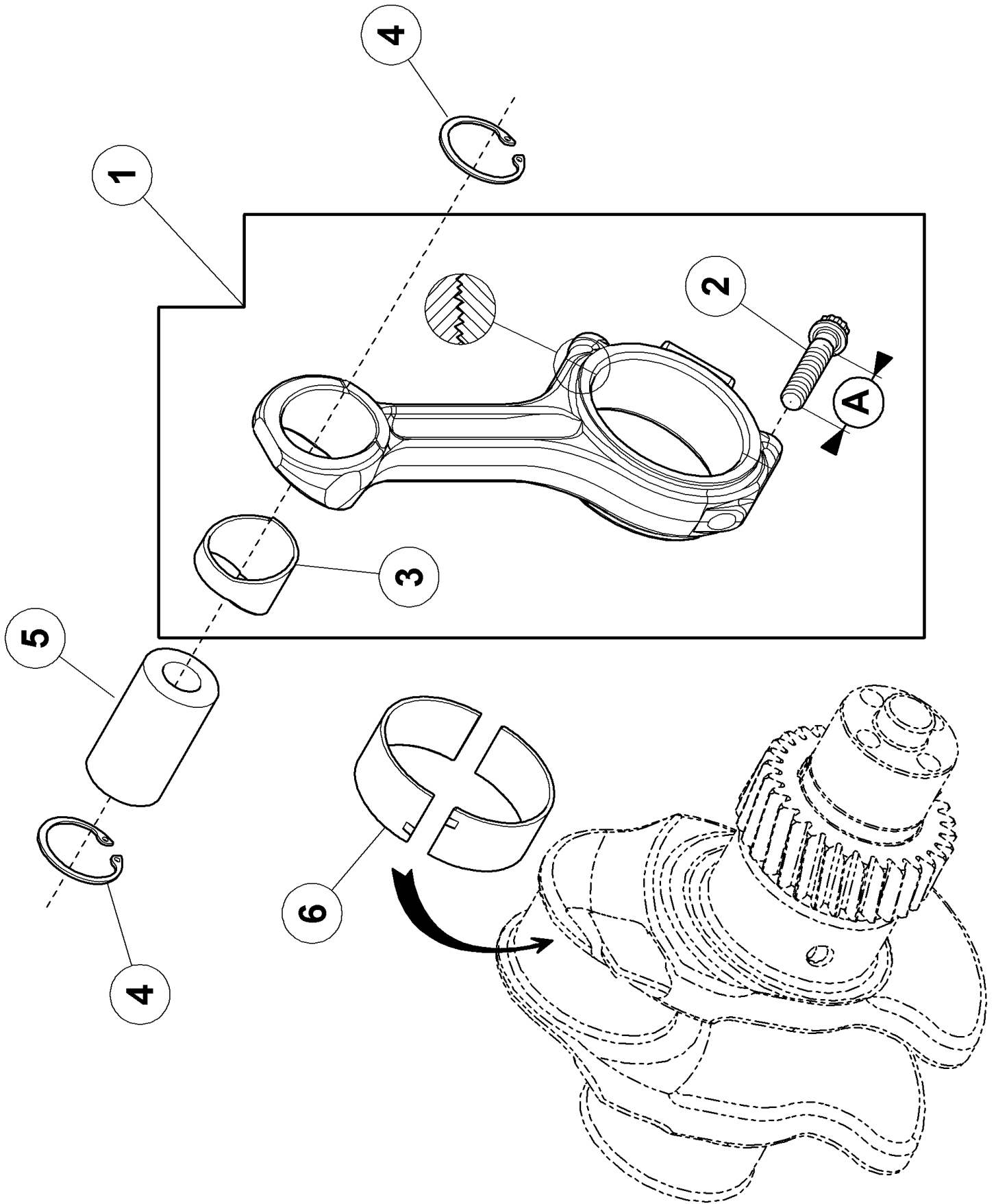
180 PLUGS

Pos.	Part No.	Description	Dimension	Quantity	Conditions
1	60 0502 470 2	PLATE		2	
2	60 0502 662 4	PLUG		2	
3	60 0502 149 8	SCREW	M8X20	4	
4	60 0502 470 4	GASKET		2	



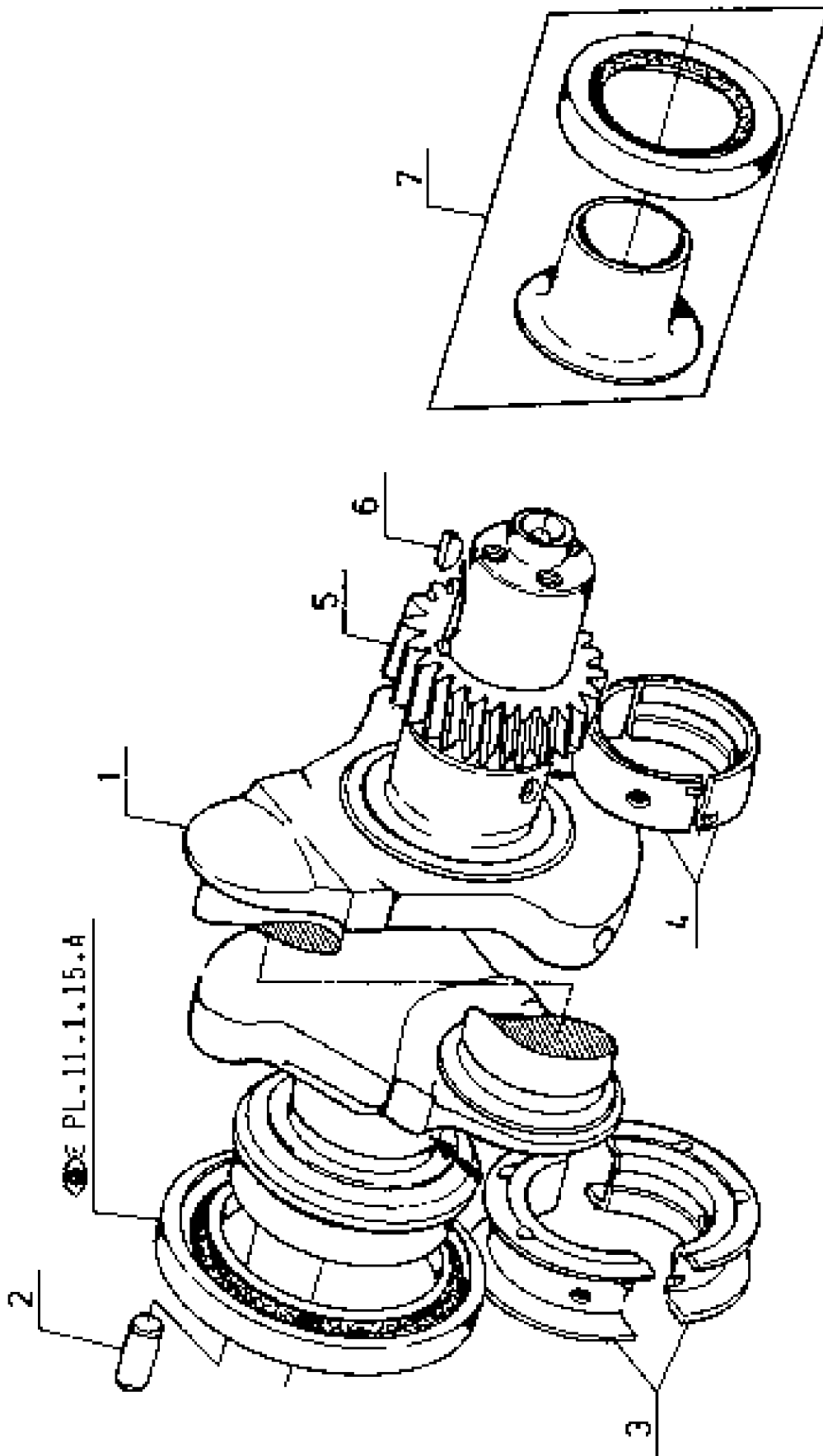
100 CYLINDER LINER, PISTON

Pos.	Part No.	Description	Dimension	Quantity	Conditions
1	FA-CONSIGN ES	Consignes - CS		4	1)
-		<i>Please order!</i> <i>60 0502 869 4 PISTON-LINER</i>		1,000	
2	60 0502 869 5	SET OF PISTON RINGS		1	
3	60 0501 280 9	SEALING RING SET		1	
1)	Remarks	A = 218mm			



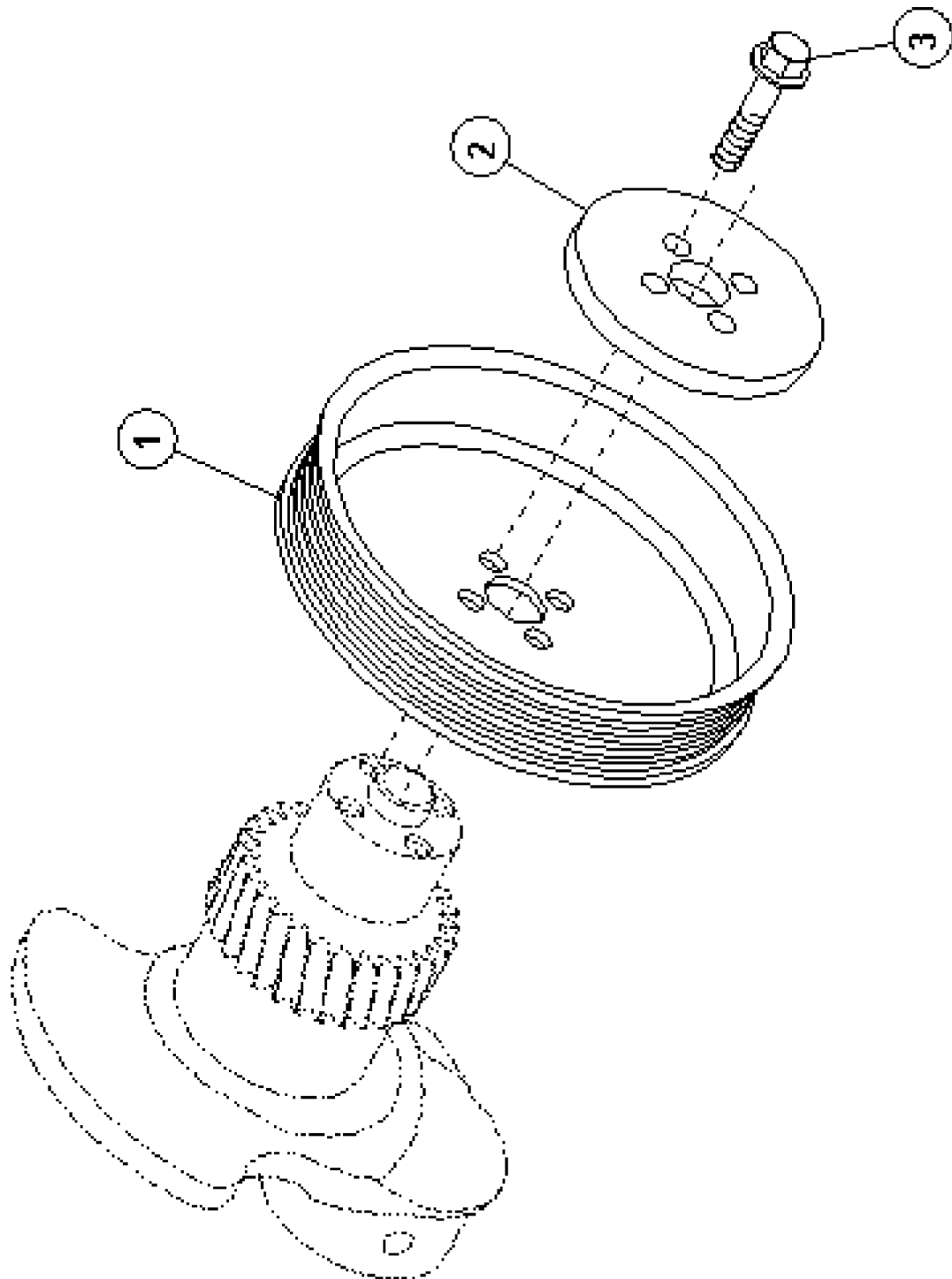
120 CONNECTING ROD, CONNECTING ROD BEARINGS

Pos.	Part No.	Description	Dimension	Quantity	Conditions
1	60 0502 453 6	CONNECTING ROD		4	
2	60 0502 453 7	SCREW	12 PTS M12 X 1,25 - 61	8	1)
3	60 0502 147 6	RING		4	
4	60 0501 281 4	INNER CIRCLIP		8	
5	60 0502 147 7	AXLE		4	
6	60 0502 147 8	BEARING		4	
6	60 0502 147 9	BEARING		4	2)
1)	Remarks	A = 61mm			
2)	Remarks	- 0,254mm			



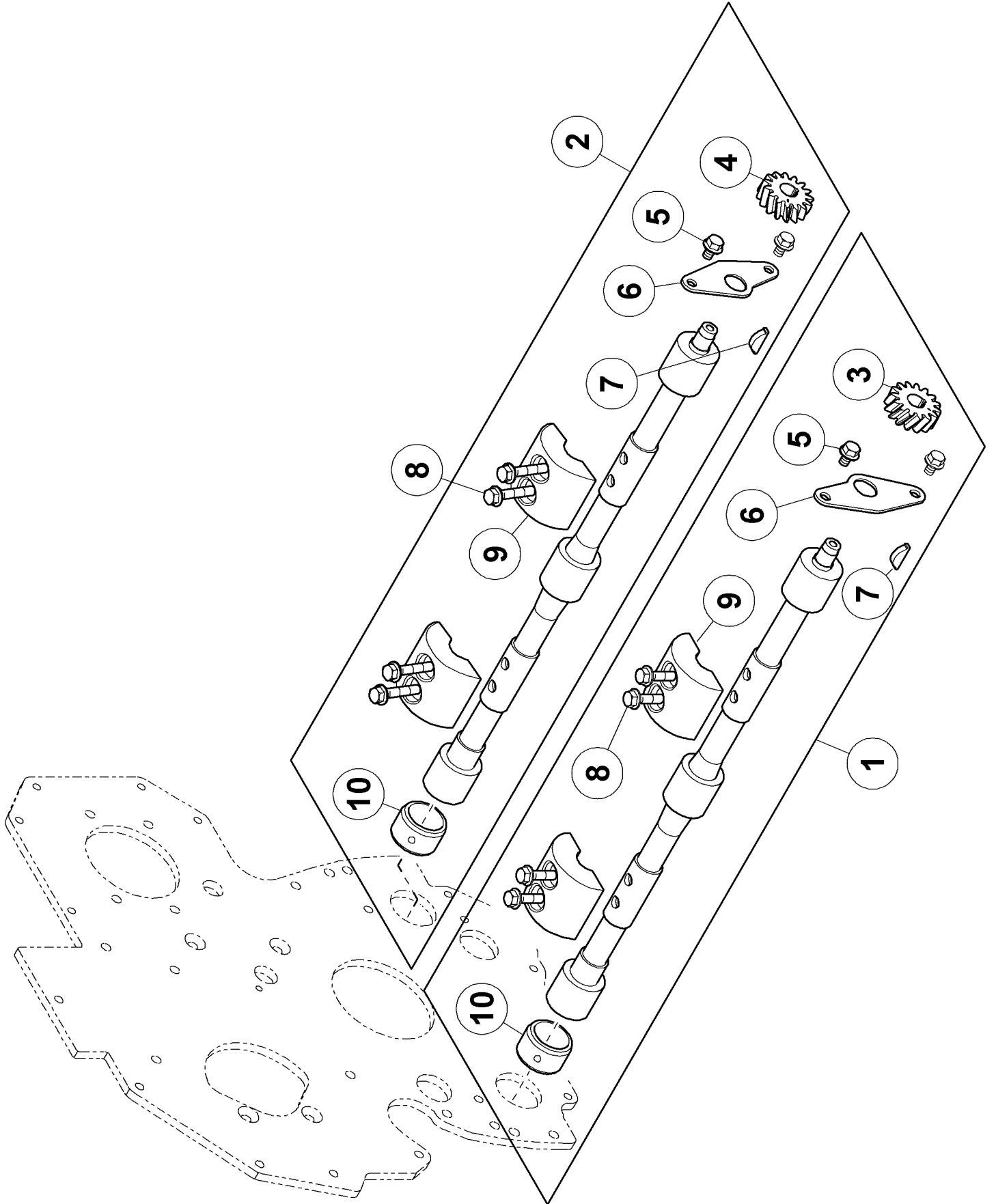
140 CRANKSHAFT

Pos.	Part No.	Description	Dimension	Quantity	Conditions
1	60 0502 895 8	CRANKSHAFT		1	
2	60 0501 317 4	CENTRING PIN		1	
3	60 0502 148 1	BEARING		1	
3	60 0502 148 2	BEARING		1	1)
4	60 0502 148 3	BEARING		4	
4	60 0502 148 4	BEARING		4	1)
5	60 0502 148 5	WHEEL		1	2)
6	60 0502 148 6	KEY		1	
7	60 0502 148 7	SLEEVE		1	
1)	Remarks		-0,254mm		
2)	Remarks		30Dts		



161 CRANKSHAFT PULLEY WHEEL

Pos.	Part No.	Description	Dimension	Quantity	Conditions
1	60 0502 165 6	CRANKSHAFT PULLEY		1	
2	60 0502 599 0	FLANGE		1	
3	60 0502 165 7	SCREW		4	



200 MASS BALANCING

Pos.	Part No.	Description	Dimension	Quantity	Conditions
1	60 0502 594 0	SHAFT		1	1)
2	60 0502 594 1	SHAFT		1	2)
3	60 0502 594 2	WHEEL		1	3)
4	60 0502 594 3	WHEEL		1	4)
5	60 0502 594 5	SCREW		2	
6	FA-NFP	NFP - CS		1	
7	60 0502 148 6	KEY		1	
8	60 0502 340 7	SCREW		4	
9	60 0502 594 6	FLYWEIGHT		2	
10	60 0502 593 1	RING		3	

1)	Remarks	D.
2)	Remarks	G.
3)	Remarks	D. 15Dts
4)	Remarks	G. 15Dts



Suggest:

For more complete manuals. Please go to the home page.

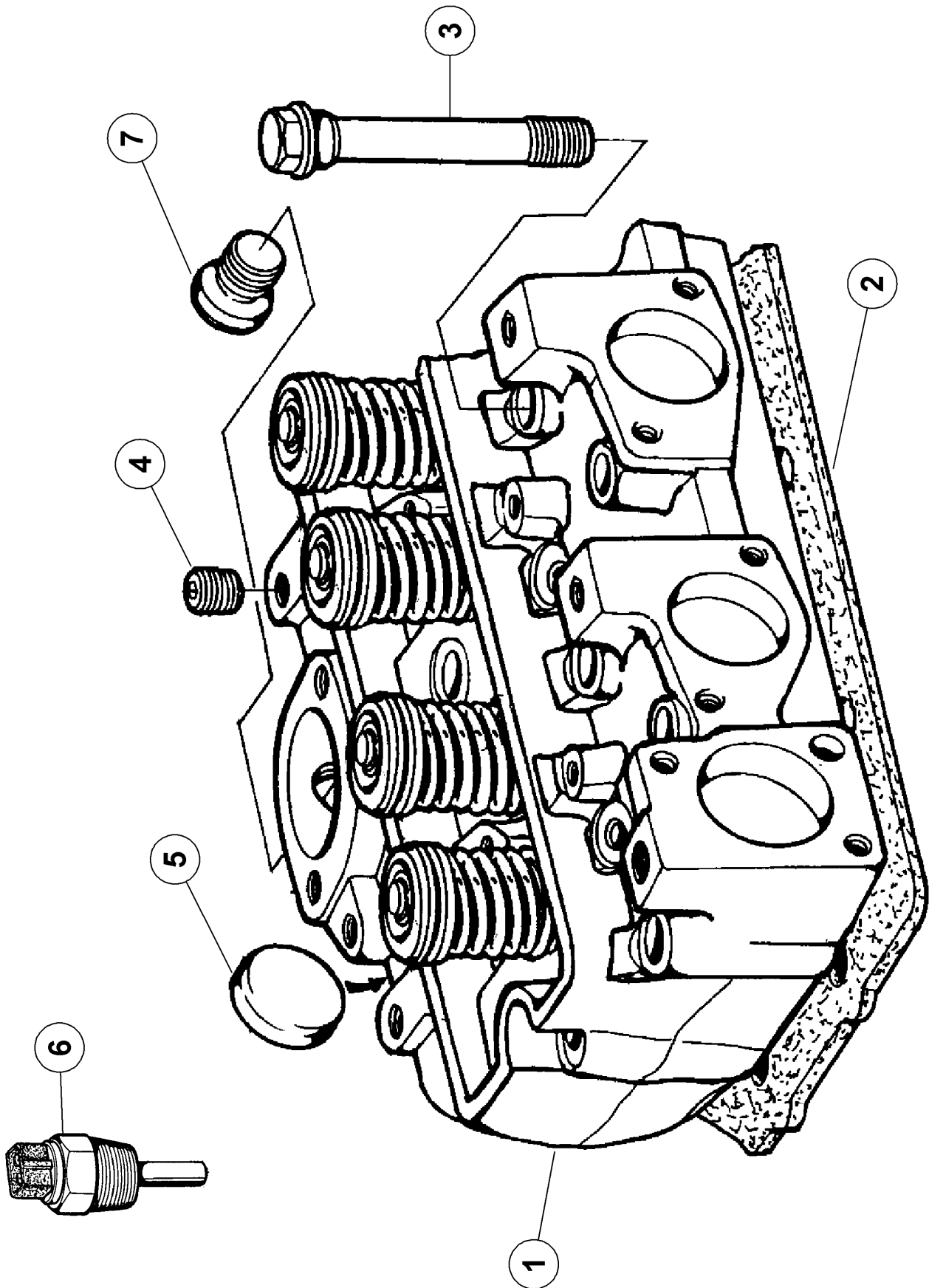
<https://www.ebooklibonline.com>

If the above button click is invalid. Please download this document first, and then click the above link to download the complete manual.

Thank you so much for reading

220 FLYWHEEL

Pos.	Part No.	Description	Dimension	Quantity	Conditions
1	77 0004 872 4	FLYWHEEL		1	
2	77 0004 531 5	TOOTHED RIM		1	
3	60 0502 625 8	SCREW	12 X 1,75 -37 - M12X40	4	
4	77 0103 068 6	BEARING-1 BALL	6305-2RS	1	1)
5	77 0006 704 0	HUB		1	
6	77 0001 693 5	SCREW	M10X40-V.RIPP ERS.D.1007	8	2)
1)	Remarks		25X62X17		
2)	Remarks		HM10X150-40		



100 CYLINDER HEAD

Pos.	Part No.	Description	Dimension	Quantity	Conditions
1	60 0502 594 8	CYLINDER HEAD		1	
2	60 0502 594 9	CYLINDER HEAD GASKET		1	
3	60 0501 288 6	SCREW		18	
4	60 0502 144 0	LOCK		1	
5	60 0501 288 3	LOCK		1	
5	60 0502 149 2	PLUG		2	
6	60 0501 344 2	SENDER UNIT		1	
7	60 0501 591 9	PLUG		1	

<https://www.ebooklibonline.com>

Hello dear friend!

Thank you very much for reading.

Enter the link into your browser.

The full manual is available for immediate download.

<https://www.ebooklibonline.com>