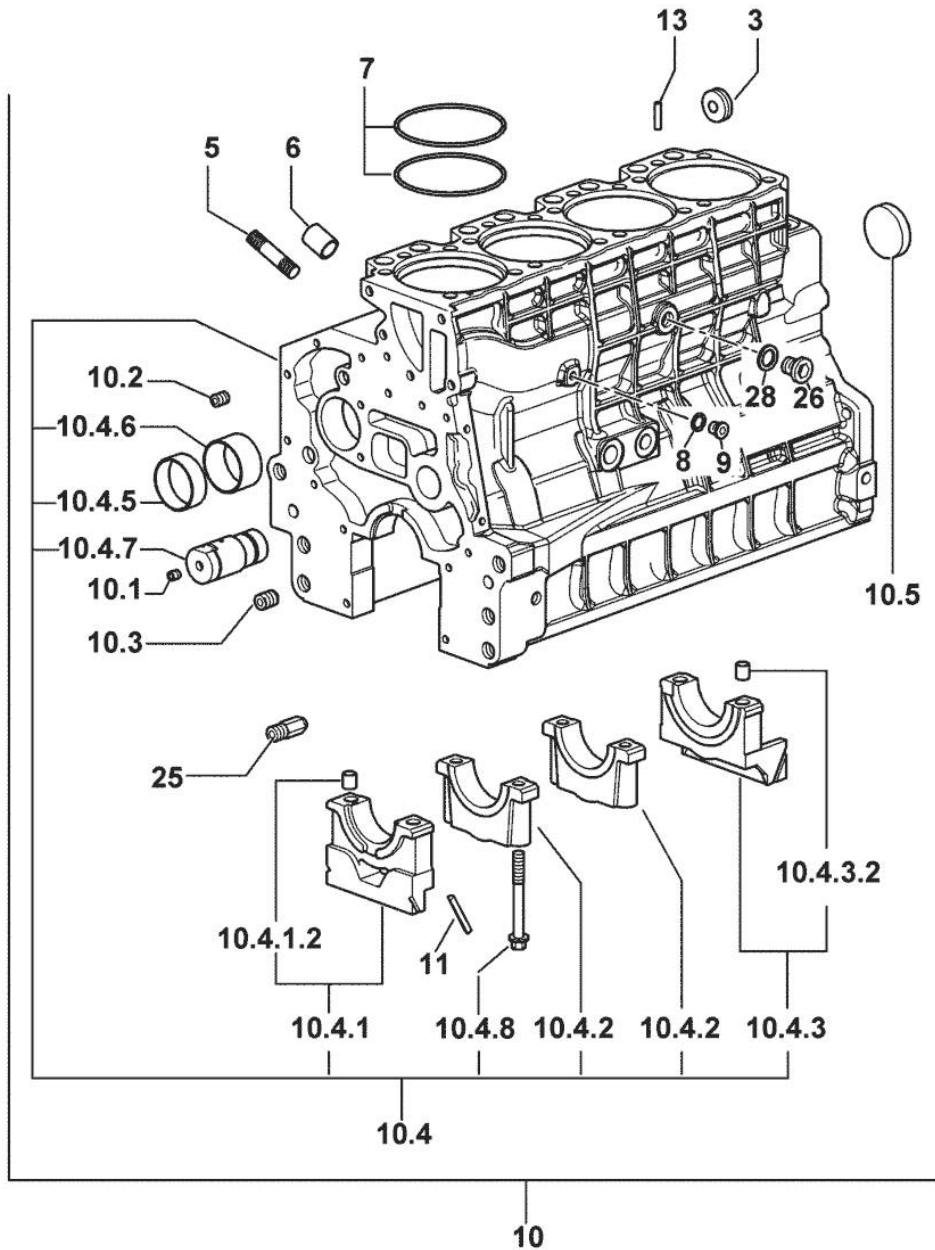


Section: ENGINE

**CRANKCASE**

9\_M8211\_00\_0\_A



| Fig. | P/n | QTY | Name |
|------|-----|-----|------|
|------|-----|-----|------|

Notes:  
[XS-90(24"-28")]

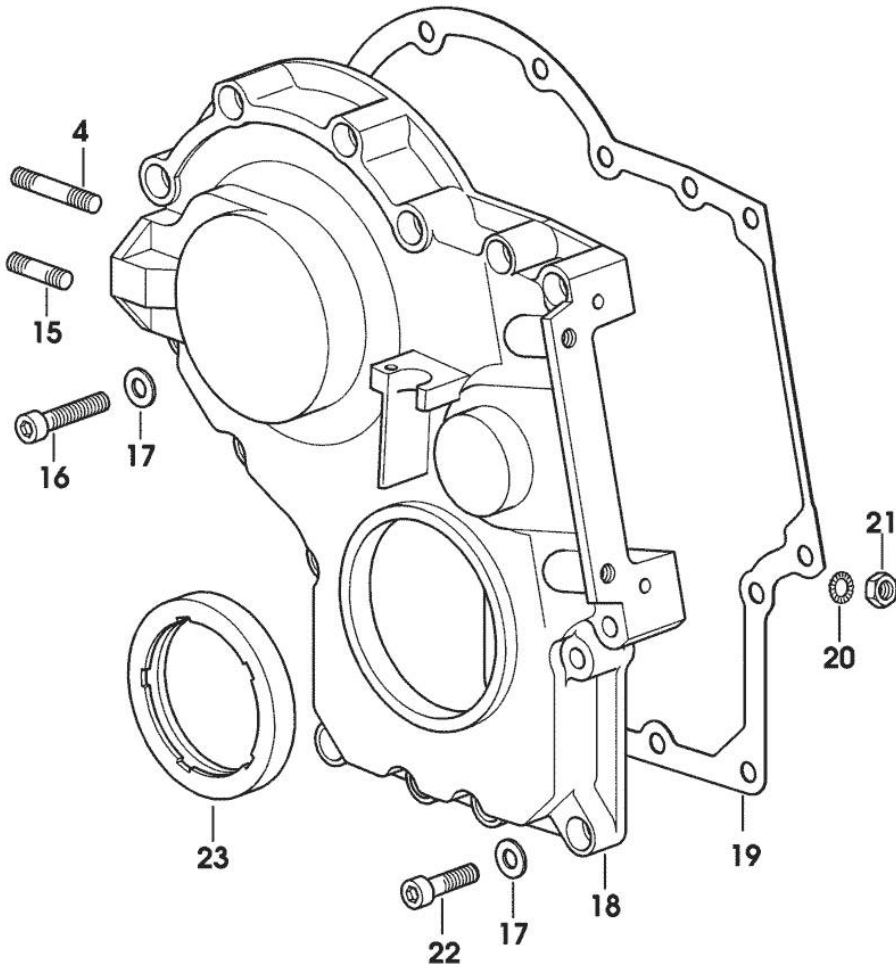
|          |                 |    |                              |
|----------|-----------------|----|------------------------------|
| 3        | 2.3199.312.2/10 | 1  | plug                         |
| 5        | 2.0439.273.7    | 8  | stud bolt m 8                |
| 6        | 2.1559.188.2    | 4  | bush 11.4 x 14 x16           |
| 7        | 2.1539.193.0    | 8  | special oil seal 107.62x2.62 |
| 8        | 2.1560.010.0    | 1  | gasket 14.2 x 20             |
| 9        | 2.3199.292.0    | 1  | plug 1/4" gas                |
| 10       | 0.013.0489.4/30 | 1  | crankcase                    |
| 10.1     | 2.3130.001.1    | 10 | plug 1/8" gas                |
| 10.2     | 2.3130.002.1    | 2  | plug 1/4" gas                |
| 10.3     | 2.3130.003.1    | 6  | plug 3/8" gas                |
| 10.4     | 0.000.0000.1    |    | cannot be supplied           |
| 10.4.1   | 0.065.1112.7    | 1  | support                      |
| 10.4.1.2 | 2.1699.165.0    | 1  | bush 12.3x15x16              |
| 10.4.2   | 0.065.1114.0/10 | 3  | support                      |
| 10.4.3   | 0.065.1116.3    | 1  | support                      |
| 10.4.3.2 | 2.1699.165.0    | 1  | bush 12.3x15x16              |
| 10.4.5   | 0.065.1140.0    | 4  | special bushing 59X55X20     |
| 10.4.6   | 0.065.1141.0    | 1  | special bushing 59X55X30     |
| 10.4.7   | 0.066.1151.0    | 1  | pin                          |
| 10.4.8   | 0.065.1117.0    | 10 | screw m 12 x 100             |
| 10.5     | 2.3179.012.0    | 1  | plug 60                      |
| 11       | 0.066.1152.0/10 | 4  | gasket                       |
| 13       | 2.1549.154.2    | 4  | bush 4.8x5.8x16              |
| 25       | 0.013.4946.0/10 | 1  | sprayer nozzle               |
| 26       | 2.3120.101.0    | 1  | plug m 18 p.1.5              |
| 28       | 2.1560.014.0    | 1  | washer 18.2 x 24             |

Section: ENGINE  
TIMING CASE

| Fig. | P/n | QTY | Name |
|------|-----|-----|------|
|------|-----|-----|------|

Notes:  
[XS-90(24"-28")]

|    |                 |    |                                  |
|----|-----------------|----|----------------------------------|
| 4  | 2.0432.009.7    | 1  | stud bolt m 8 p.1.25 / p. 1 x 35 |
| 15 | 2.0432.003.7    | 1  | stud bolt m 8 p.1.25 / p.1 x 20  |
| 16 | 2.0312.214.2    | 7  | screw m 8 p.1.25 x 40            |
| 17 | 2.1480.014.1    | 15 | washer 8                         |
| 18 | 0.013.4981.0    | 1  | guard                            |
| 19 | 0.065.1150.0/30 | 1  | gasket                           |
| 20 | 2.1470.004.2    | 4  | lock washer 8                    |
| 21 | 2.1011.405.2    | 2  | nut m 8 p.1                      |
| 22 | 2.0312.208.2    | 8  | screw m 8 p.1.25 x 25            |
| 23 | 2.1529.167.0    | 1  | oil seal                         |



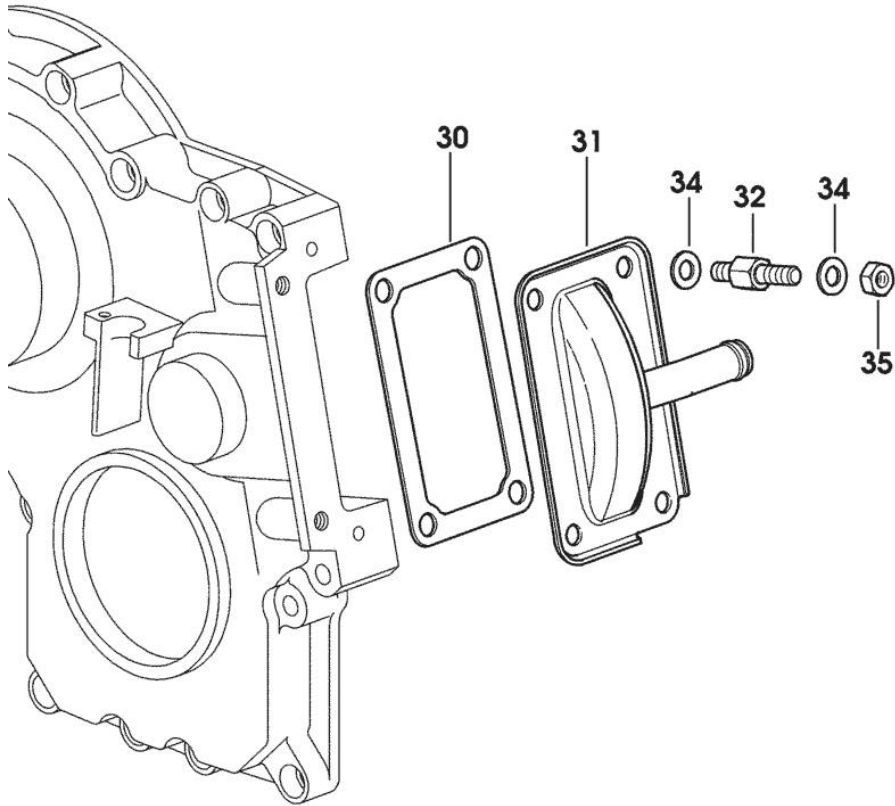
9\_M8211\_00\_0\_B

Section: ENGINE  
**CASING COVER**

| Fig. | P/n | QTY | Name |
|------|-----|-----|------|
|------|-----|-----|------|

Notes:  
 [XS-90(24"-28")]

|    |                 |   |                               |
|----|-----------------|---|-------------------------------|
| 30 | 0.065.1152.0    | 1 | gasket                        |
| 31 | 0.013.6374.2    | 1 | cover                         |
| 32 | 0.013.6368.0/10 | 4 | stud bolt m 8 p.1 / = mm 46.5 |
| 34 | 2.1310.004.2    | 8 | flat washer 8.4x17            |
| 35 | 2.1011.405.2    | 4 | nut m 8 p.1                   |



9\_N1411\_01\_0\_0

**<https://www.ebooklibonline.com>**

Hello dear friend!

Thank you very much for reading.

Enter the link into your browser.

The full manual is available for immediate download.

**<https://www.ebooklibonline.com>**

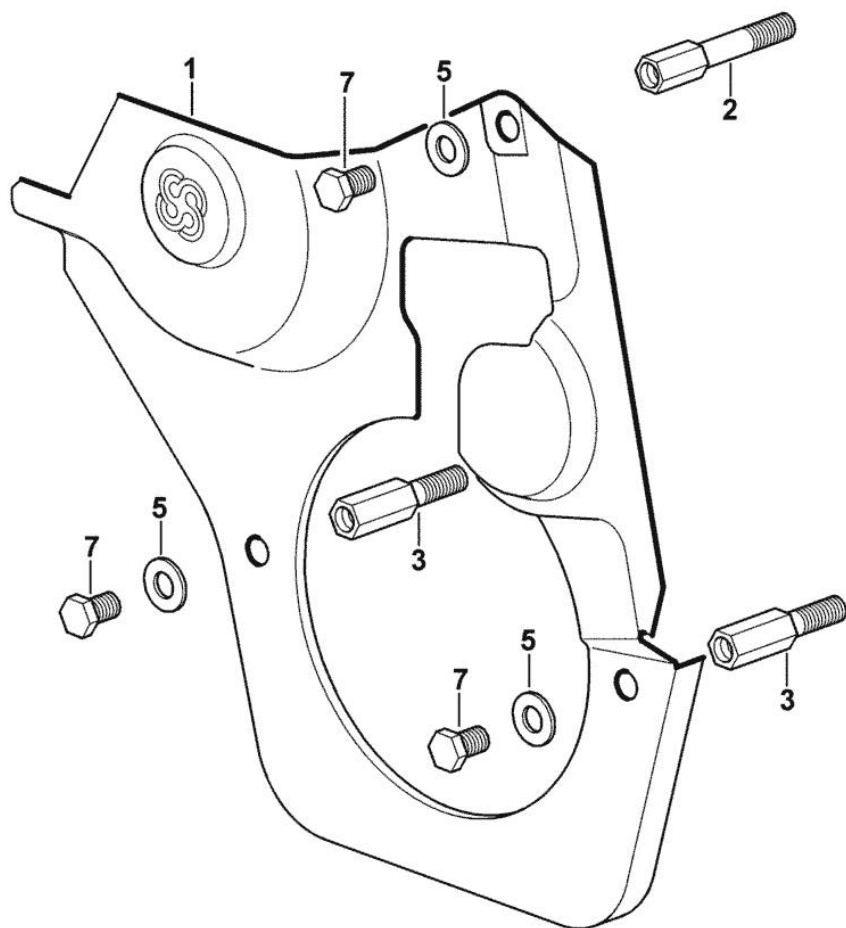
**GUARD PLATE**

| Fig. | P/n | QTY | Name |
|------|-----|-----|------|
|------|-----|-----|------|

**Notes:**

[XS-90(24"-28")]

|   |                 |   |                                     |
|---|-----------------|---|-------------------------------------|
| 1 | 0.007.1262.3/50 | 1 | guard                               |
| 2 | 0.007.1271.0/10 | 1 | small column m 8 p.1.25 / L = mm 60 |
| 3 | 0.007.1272.0/10 | 2 | small column m 8 p.1.25 / L = mm 50 |
| 5 | 2.1310.004.2    | 3 | flat washer 8.4x17                  |
| 7 | 2.0112.203.2    | 3 | screw m 8 p.1.25 x 12               |



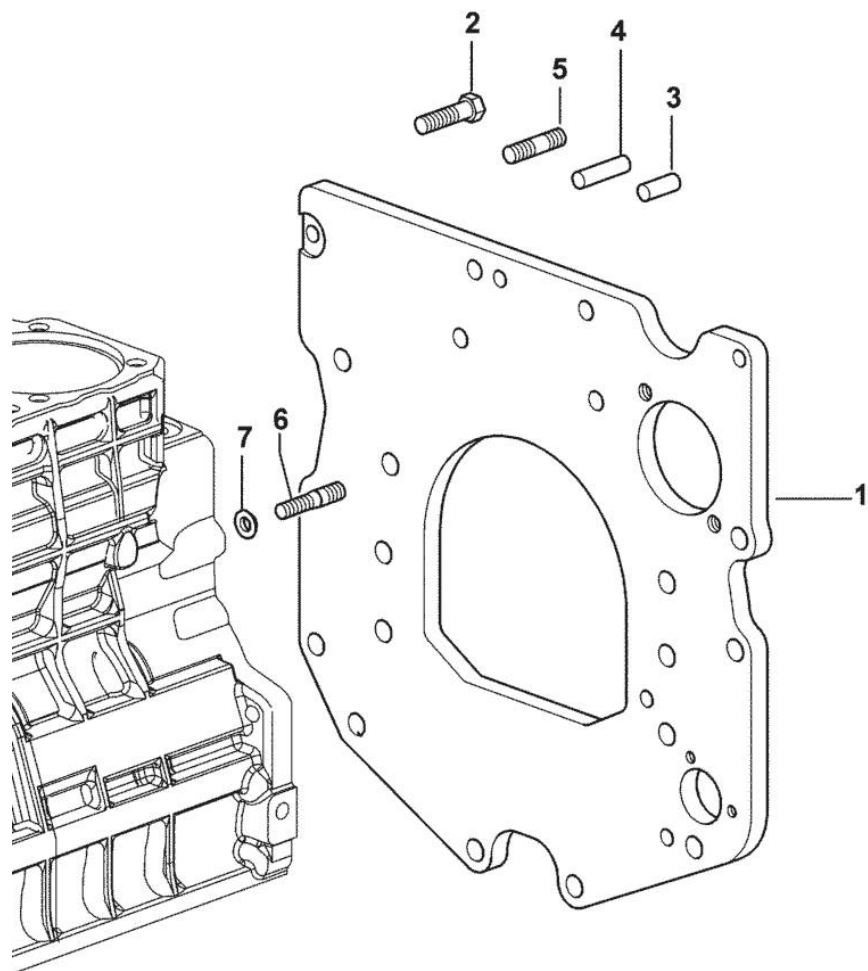
**MONOBLOC ENGINE-GEARBOX CONNECTING FLANGE**

| Fig. | P/n | QTY | Name |
|------|-----|-----|------|
|------|-----|-----|------|

**Notes:**

[XS-90(24"-28")]

|   |                 |   |                                   |
|---|-----------------|---|-----------------------------------|
| 1 | 0.007.1882.0/50 | 1 | flange                            |
| 2 | 2.0112.511.2    | 8 | screw m 14 p.2 x 30               |
| 3 | 2.1651.912.0    | 2 | cylindrical plug 12x28            |
| 4 | 2.1651.917.0    | 1 | cylindrical plug 12x40            |
| 5 | 2.0432.257.7    | 1 | stud bolt m 12 p.1.75 - 1.25 x 30 |
| 6 | 2.0439.250.7    | 1 | stud bolt m 12 / m 10 x 30        |
| 7 | 0.011.9294.0/10 | 1 | bush                              |



9\_38611\_01\_0\_0

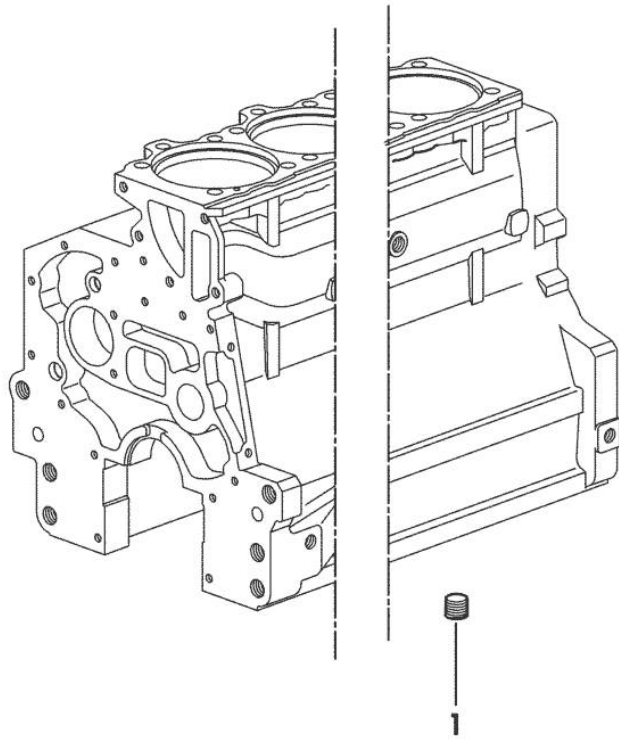
**PLUG**

| Fig. | P/n | QTY | Name |
|------|-----|-----|------|
|------|-----|-----|------|

**Notes:**

[XS-90(24"-28")]

|   |              |   |               |
|---|--------------|---|---------------|
| 1 | 2.3130.003.1 | 1 | plug 3/8" gas |
|---|--------------|---|---------------|

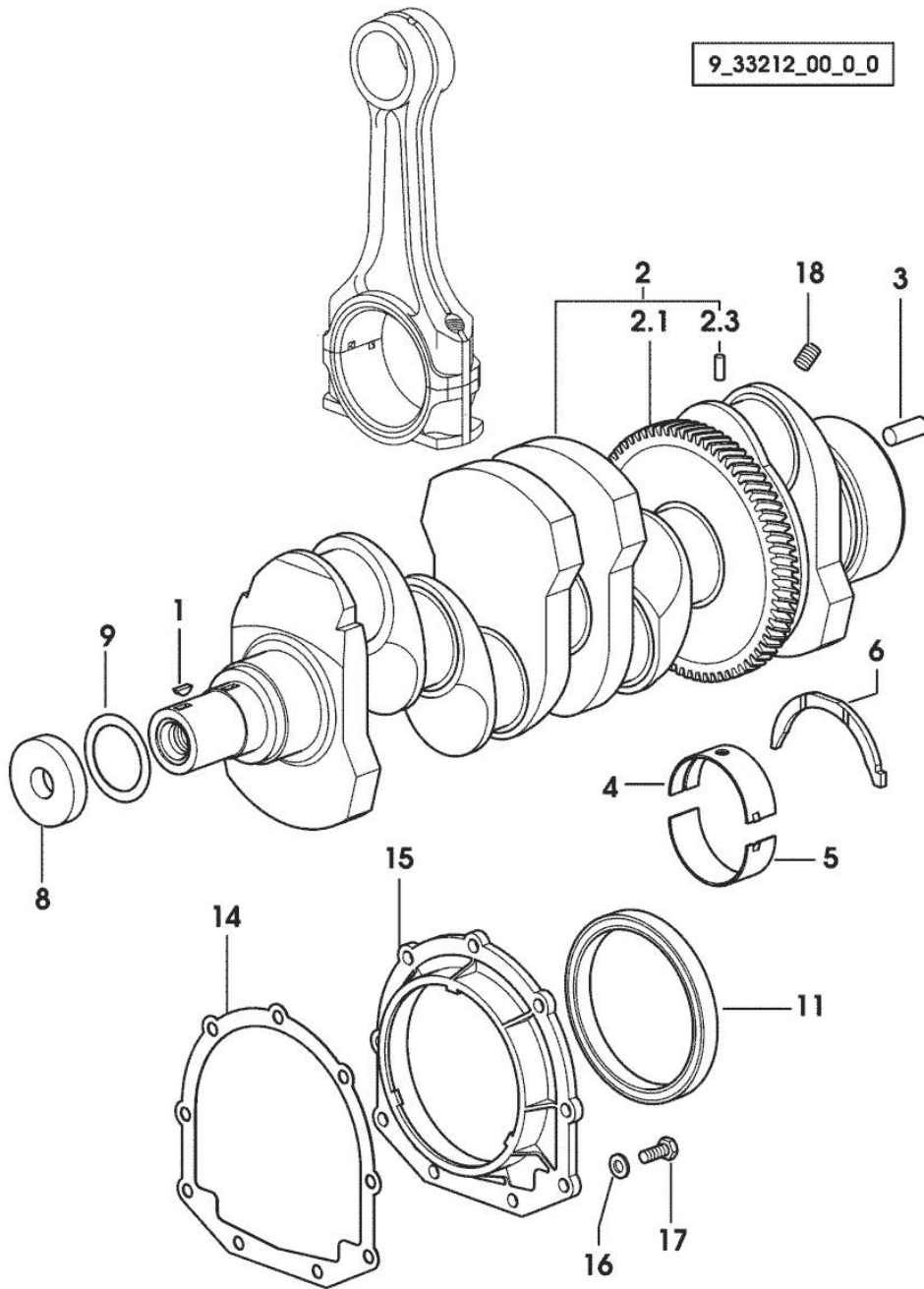


9\_34311\_06\_0\_0

Section: ENGINE

**CRANKSHAFT**

9\_33212\_00\_0\_0



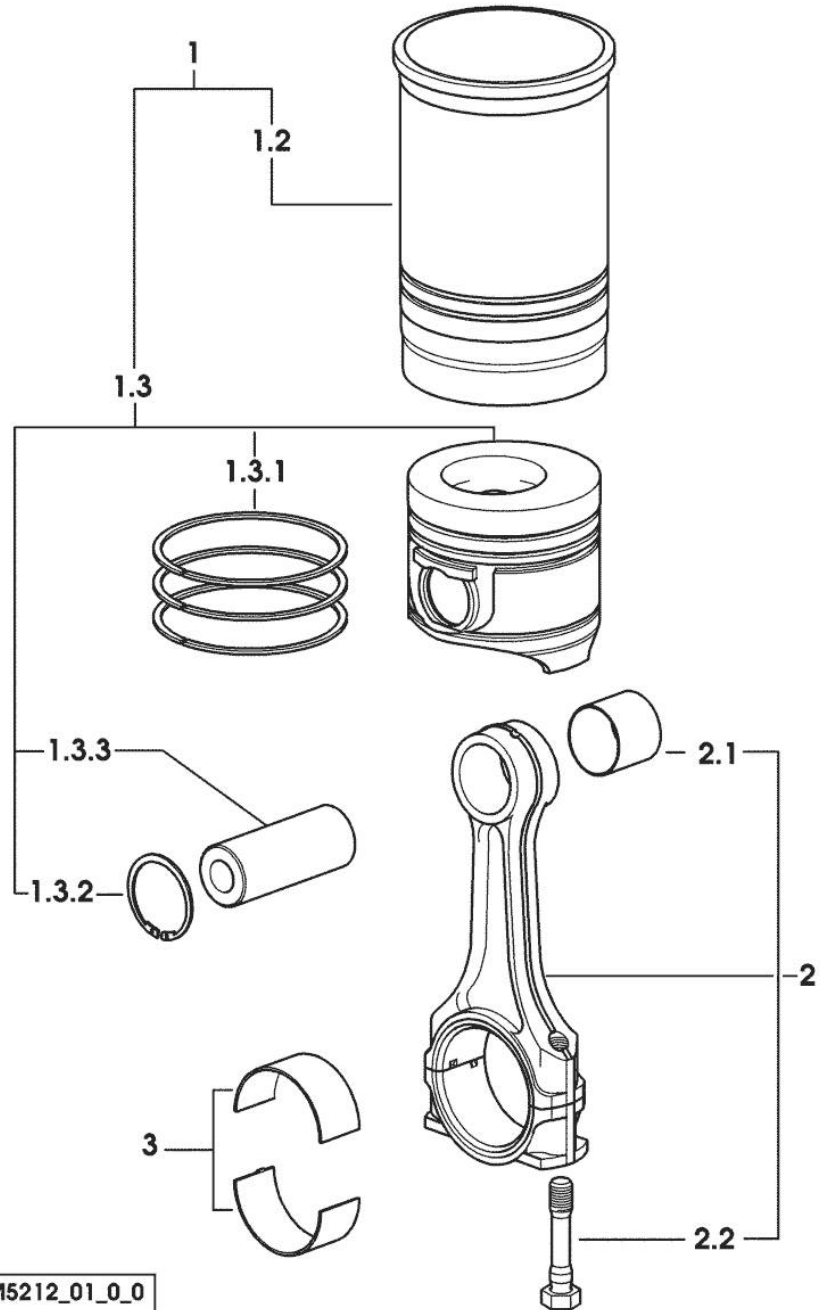
| Fig. | P/n | QTY | Name |
|------|-----|-----|------|
|------|-----|-----|------|

Notes:  
[XS-90(24"-28")]

|     |                 |   |                             |
|-----|-----------------|---|-----------------------------|
| 1   | 2.1720.006.0    | 1 | key 4x6.5                   |
| 2   | 0.086.1210.3/30 | 1 | crankshaft                  |
| 2.1 | 0.065.1211.0/10 | 1 | crown wheel                 |
| 2.3 | 2.1630.608.0    | 1 | pin 6x16                    |
| 3   | 2.1651.915.0    | 1 | pin 12x35                   |
| 4   | 0.065.1215.0    | 5 | main half bushing STANDARD  |
| 4   | 0.065.1215.7    |   | main half bushing - mm 0.25 |
| 4   | 0.065.1215.8    |   | main half bushing - mm 0.50 |
| 5   | 0.065.1216.0    | 5 | main half bushing           |
| 5   | 0.065.1216.7    |   | main half bushing - mm 0.25 |
| 5   | 0.065.1216.8    |   | main half bushing - mm 0.50 |
| 6   | 0.065.1218.0    | 4 | shim STANDARD               |
| 6   | 0.065.1218.7    |   | shim + mm 0.10              |
| 6   | 0.065.1218.8    |   | shim + mm 0.15              |
| 8   | 2.1599.524.7    | 1 | washer 21x60x12             |
| 9   | 2.1589.189.0    | 2 | shoulder ring mm 1.00       |
| 11  | 2.1529.073.0    | 1 | special oil seal 110x130x13 |
| 14  | 0.065.1254.0/20 | 1 | gasket                      |
| 15  | 0.007.1711.0/10 | 1 | cover                       |
| 16  | 2.1475.002.2    | 9 | conical washer 8            |
| 17  | 2.0112.207.2    | 9 | screw m 8 p 1.25 x 20       |
| 18  | 2.3130.001.1    | 4 | plug 1/8" gas               |

Section: ENGINE

**CYLINDER - PISTON - CONNECTING ROD**



| Fig. | P/n | QTY | Name |
|------|-----|-----|------|
|------|-----|-----|------|

Notes:  
[XS-90(24"-28")]

|       |                 |   |  |
|-------|-----------------|---|--|
| 1     | 0.099.0065.A    | 4 | cyl. piston assembly "A"<br>- CLASS A              |
| 1     | 0.099.0065.B    | 4 | cyl. piston assembly "B"<br>- CLASS B              |
| 1.2   | 0.A12.2675.0    | 1 | engine cylinder "A"<br>- CLASS A                   |
| 1.2   | 0.B12.2675.0    | 1 | engine cylinder "B"<br>- CLASS B                   |
| 1.3   | 0.099.0060.A    | 1 | complete piston "A"<br>- CLASS A                   |
| 1.3   | 0.099.0060.B    | 1 | complete piston "B"<br>- CLASS B                   |
| 1.3.1 | 0.081.0090.6/10 | 1 | piston ring set                                    |
| 1.3.2 | 2.1411.014.1    | 2 | circlip 35   |
| 1.3.3 | 0.078.1236.0    | 1 | piston pin Ø 18 / Ø 35 / L = mm 86                 |
| 2     | 0.078.1220.3/30 | 4 | engine connecting rod                              |
| 2.1   | 2.1559.114.0/10 | 1 | special bushing                                    |
| 2.2   | 2.0399.213.0    | 2 | screw m 12 p.1.25x61.5                             |
| 3     | 0.065.1225.0    | 8 | con.rod half bushing STANDARD - A = 28.75 -> 29.00 |
| 3     | 0.065.1225.7    | 8 | con.rod half bushing - mm 0.25                     |
| 3     | 0.065.1225.8    | 8 | con.rod half bushing - mm 0.50                     |

9\_M5212\_01\_0\_0

Section: ENGINE

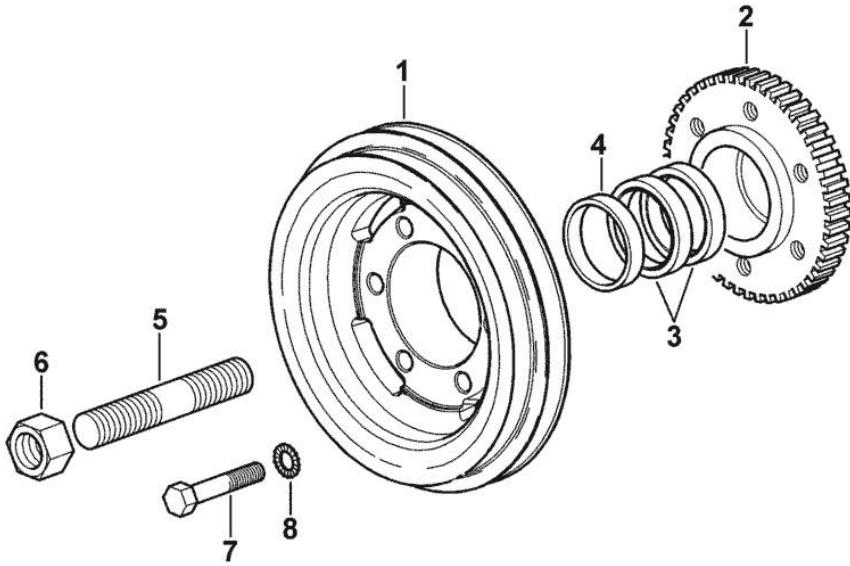
**CRANKSHAFT PULLEY**

| Fig. | P/n | QTY | Name |
|------|-----|-----|------|
|------|-----|-----|------|

**Notes:**

[XS-90(24"-28")]

|   |                 |   |                         |
|---|-----------------|---|-------------------------|
| 1 | 0.013.6349.0/10 | 1 | pulley                  |
| 2 | 0.011.3515.0/20 | 1 | hub Z = 48              |
| 3 | 0.065.1256.0    | 2 | ring 45x52              |
| 4 | 2.1579.865.0    | 1 | spacer 45.2x51.8x10     |
| 5 | 2.0439.195.7    | 1 | stud bolt m 20 p.1.5x80 |
| 6 | 2.1019.094.7    | 1 | nut m 20 p.1.5          |
| 7 | 2.0112.320.2    | 6 | screw m 10 p.1.5 x 55   |
| 8 | 2.1470.006.2    | 6 | lock washer 10          |



9\_N1412\_03\_0\_0

Section: ENGINE

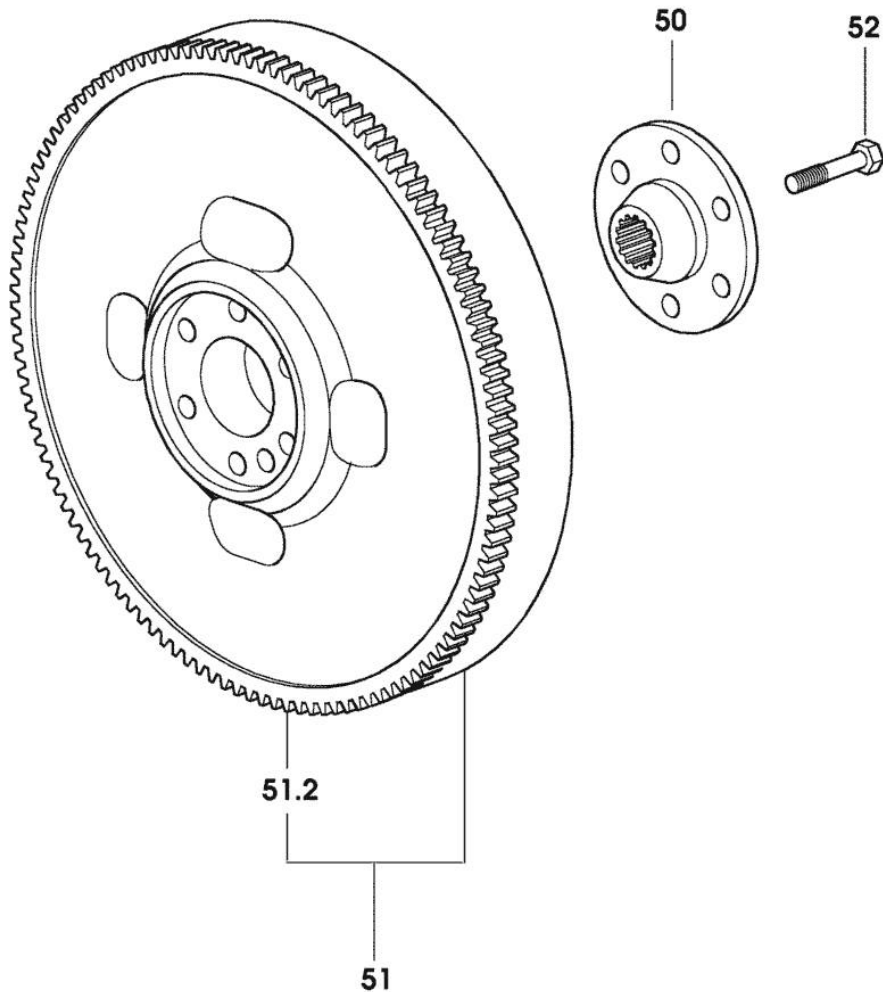
**ENGINE FLYWHEEL**

| Fig. | P/n | QTY | Name |
|------|-----|-----|------|
|------|-----|-----|------|

**Notes:**

[XS-90(24"-28")]

|      |                 |   |                      |
|------|-----------------|---|----------------------|
| 50   | 0.255.2525.0/10 | 1 | flange               |
| 51   | 0.076.1247.3/20 | 1 | flywheel             |
| 51.2 | 0.065.1242.0    | 1 | crown wheel Z = 123  |
| 52   | 2.0139.022.2    | 6 | screw m 12 p.1.25x55 |



9\_33212\_07\_0\_0

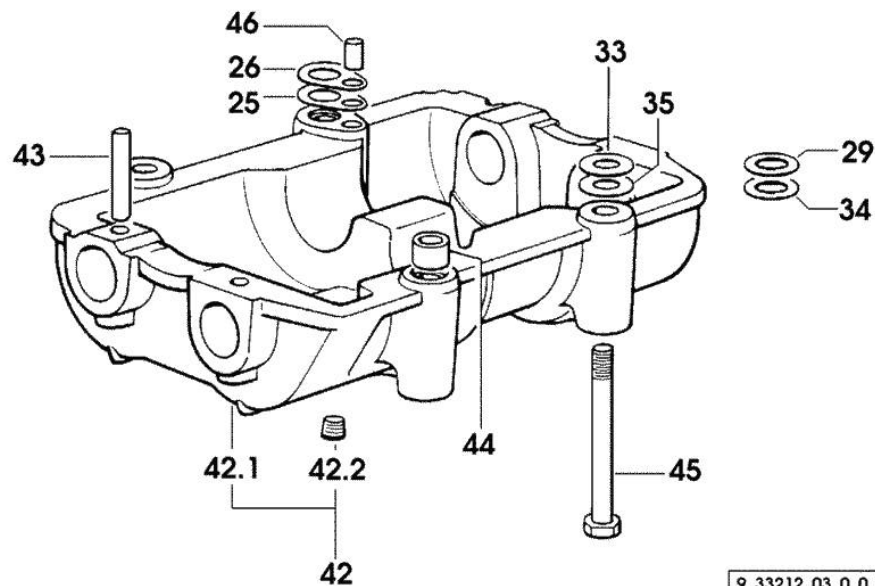
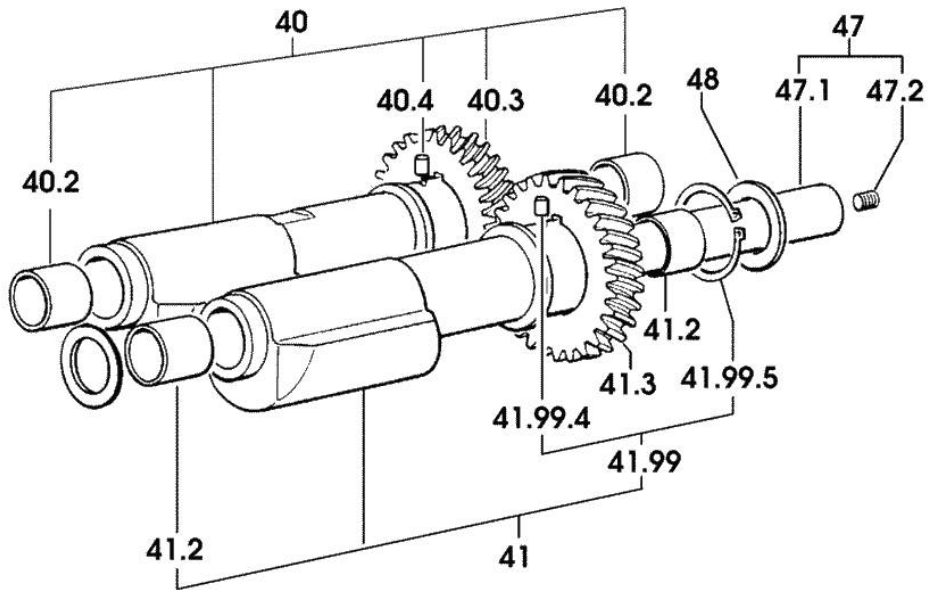
Section: ENGINE

COUNTERWEIGHTS

| Fig. | P/n | QTY | Name |
|------|-----|-----|------|
|------|-----|-----|------|

Notes:  
[XS-90(24"-28")]

|         |                 |   |                           |
|---------|-----------------|---|---------------------------|
| 25      | 2.1589.139.0    | 1 | shoulder ring mm 0.3      |
| 26      | 2.1589.140.0    | 3 | shoulder ring mm 0.1      |
| 29      | 2.1579.628.0    | 3 | spacer 16.5x26x0.1        |
| 33      | 2.1579.629.0    | 6 | spacer 12.5x26x0.1        |
| 34      | 2.1589.048.0    | 1 | shoulder ring 16.5x26x0.3 |
| 35      | 2.1589.049.0    | 1 | shoulder ring 12.5x26x0.3 |
| 40      | 0.086.1233.3/30 | 1 | mass sx/lh/li             |
| 40.2    | 2.1559.115.0    | 2 | special bushing 26x30x30  |
| 40.3    | 0.000.0000.1    |   | cannot be supplied        |
| 40.4    | 2.1651.302.0    | 1 | roll pin 4x6              |
| 41      | 0.065.1233.3/30 | 1 | mass dx/rh/re             |
| 41.2    | 2.1559.115.0    | 2 | special bushing 26x30x30  |
| 41.3    | 0.000.0000.1    |   | cannot be supplied        |
| 41.99   | 0.000.0000.1    |   | cannot be supplied        |
| 41.99.4 | 2.1651.302.0    | 1 | roll pin 4x6              |
| 41.99.5 | 2.1410.018.7    | 1 | circlip 45                |
| 42      | 0.000.0000.1    |   | cannot be supplied        |
| 42.1    | 0.086.1231.0/10 | 1 | box                       |
| 42.2    | 2.3130.001.1    | 4 | plug 1/8" gas             |
| 43      | 2.1631.717.0    | 2 | roll pin 8 x 40           |
| 44      | 2.1579.626.0    | 2 | spacer 13.2x16x11         |
| 45      | 2.0139.028.2    | 4 | screw m 12                |
| 46      | 2.1699.191.0    | 1 | bush 7x10x16              |
| 47      | 0.000.0000.1    |   | cannot be supplied        |
| 47.1    | 0.065.1234.0/10 | 1 | shaft                     |
| 47.2    | 2.3130.001.1    | 1 | plug 1/8" gas             |
| 48      | 2.1589.185.0    | 4 | shoulder ring 26.1x34x1   |



9\_33212\_03\_0\_0

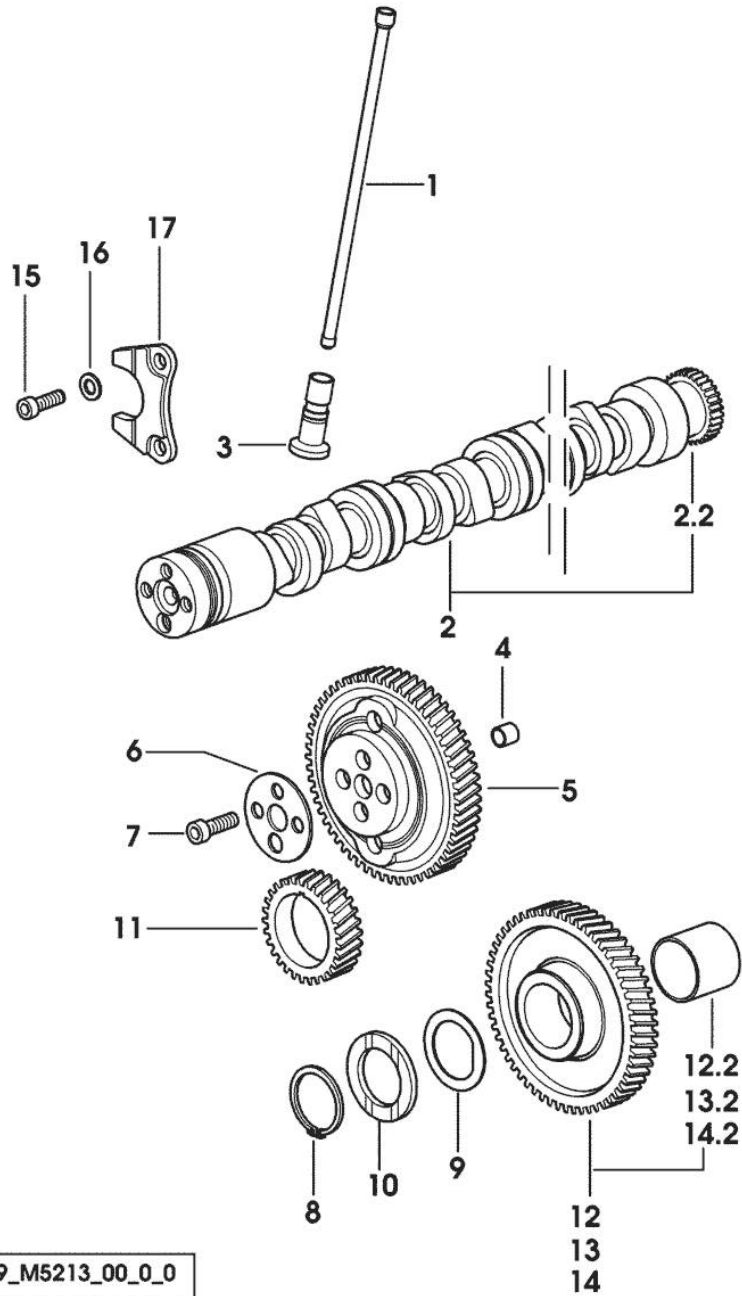
Section: ENGINE

**CAMSHAFT**

| Fig. | P/n | QTY | Name |
|------|-----|-----|------|
|------|-----|-----|------|

Notes:  
[XS-90(24"-28")]

|      |                 |   |  |
|------|-----------------|---|--|
| 1    | 0.065.1331.2    | 8 | rod  |
| 2    | 0.012.6558.3/10 | 1 | camshaft   |
| 2.2  | 0.065.1324.0/10 | 1 | gear Z = 32  |
| 3    | 0.065.1330.0    | 8 | tappets  |
| 4    | 2.1559.398.0    | 1 | bushing 10.5x13x12   |
| 5    | 0.013.5017.0    | 1 | gear z=58  |
| 6    | 0.065.1350.0    | 1 | small disc   |
| 7    | 2.0132.207.2    | 4 | screw m 10 p.1 x 25  |
| 8    | 2.1410.016.1    | 1 | circlip 40   |
| 9    | 0.065.1352.0    | 1 | shim   |
| 10   | 0.065.1351.0    | 2 | shoulder ring  |
| 11   | 0.065.1323.0/30 | 1 | gear Z = 29  |
| 12   | 0.007.1177.3/20 |   | gear z = 57<br>- WITH RED IDENTIFICATION STAMP               |
| 12.2 | 2.1559.185.0/10 | 1 | bushing<br>gear z = 57<br>- WITH YELLOW IDENTIFICATION STAMP |
| 13   | 0.007.1178.3/20 |   | gear z = 57<br>- WITH YELLOW IDENTIFICATION STAMP            |
| 13.2 | 2.1559.185.0/10 | 1 | bushing<br>gear z = 57<br>- WITH GREEN IDENTIFICATION STAMP  |
| 14   | 0.007.1179.3/20 |   | gear z = 57<br>- WITH GREEN IDENTIFICATION STAMP             |
| 14.2 | 2.1559.185.0/10 | 1 | bushing  |
| 15   | 2.0312.205.2    | 2 | screw  |
| 16   | 2.1480.014.1    | 2 | washer 8   |
| 17   | 0.065.1353.0    | 1 | small plate  |



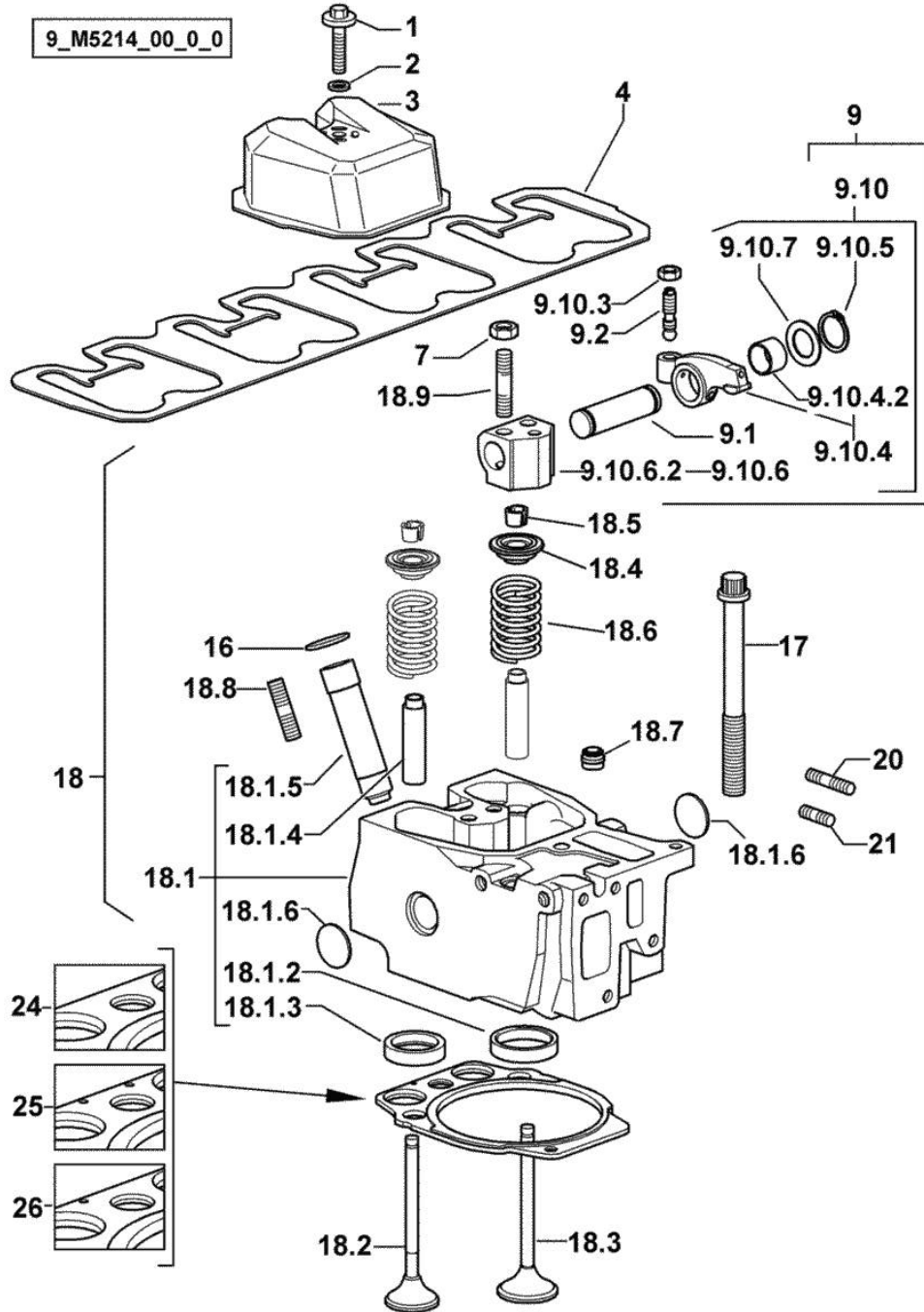
9\_M5213\_00\_0\_0

Section: ENGINE  
CYLINDER HEAD

| Fig. | P/n | QTY | Name |
|------|-----|-----|------|
|------|-----|-----|------|

Notes:  
[XS-90(24"-28")]

|          |                 |    |                                    |
|----------|-----------------|----|------------------------------------|
| 1        | 2.0399.288.2/10 | 4  | screw m 8x36x46                    |
| 2        | 2.1539.151.0    | 4  | special oil seal 9.19 x 2.62       |
| 3        | 0.007.1139.0/10 | 4  | small cap                          |
| 4        | 0.065.1450.0/30 | 1  | tappet gasket                      |
| 7        | 2.1011.421.2    | 8  | nut m 10 p.1.25                    |
| 9        | 0.000.0000.1    |    | cannot be supplied                 |
| 9.1      | 0.066.1431.0    | 1  | pin                                |
| 9.2      | 0.021.1434.0    | 2  | screw                              |
| 9.10     | 0.000.0000.1    |    | cannot be supplied                 |
| 9.10.3   | 2.1011.405.2    | 2  | nut m 8 p.1                        |
| 9.10.4   | 0.066.1432.3    | 2  | rocker arm                         |
| 9.10.4.2 | 2.1559.021.0/40 | 1  | bushing 15x19x22                   |
| 9.10.5   | 2.1410.055.7    | 2  | circlip 19                         |
| 9.10.6   | 0.000.0000.1    |    | cannot be supplied                 |
| 9.10.6.2 | 0.066.1430.0/10 | 1  | support                            |
| 9.10.7   | 2.1599.432.0    | 2  | shoulder ring                      |
| 16       | 2.1532.507.0    | 4  | oil seal 17x3.53                   |
| 17       | 0.012.2673.0    | 16 | screw m 14 p.2x141                 |
| 18       | 0.000.0000.1    |    | cannot be supplied                 |
| 18.1     | 0.013.0412.3/60 | 1  | engine head                        |
| 18.1.2   | 0.078.1426.0    | 1  | valve seat                         |
| 18.1.3   | 0.066.1427.0    | 1  | valve seat                         |
| 18.1.4   | 0.007.1779.0/20 | 2  | valve guide                        |
| 18.1.5   | 0.012.9984.0/20 | 1  | bush                               |
| 18.1.6   | 2.3170.012.1    | 2  | expansion plug 30                  |
| 18.2     | 0.010.6022.0    | 1  | exhaust valve mm 39.1 / Ø mm 9     |
| 18.3     | 0.010.6017.0    | 1  | inlet valve mm 43.63 / Ø mm 9      |
| 18.4     | 0.066.1425.0    | 2  | cup                                |
| 18.5     | 0.074.1423.0    | 4  | conical valve cotter               |
| 18.6     | 2.4019.287.0    | 2  | spring                             |
| 18.7     | 2.1519.117.0    | 2  | special oil seal                   |
| 18.8     | 2.0432.161.7    | 1  | stud bolt m 10 p.1.5 / p.1.25 x 40 |
| 18.9     | 2.0432.163.7    | 2  | stud bolt m 10 p.1.5 / p.1.25 x 45 |
| 20       | 2.0432.011.7    | 4  | stud bolt m 8 p.1.25 / p.1 x 40    |
| 21       | 2.0432.005.7    | 4  | stud bolt m 8 p.1.5 / p.1 x 25     |
| 24       | 0.013.1887.0    |    | gasket                             |
| 25       | 0.013.1888.0    | 3  | gasket                             |
| 26       | 0.013.1889.0    |    | gasket                             |





**Suggest:**

**For more complete manuals. Please go to the home page.**

**<https://www.ebooklibonline.com>**

**If the above button click is invalid. Please download this document first, and then click the above link to download the complete manual.**

**Thank you so much for reading**

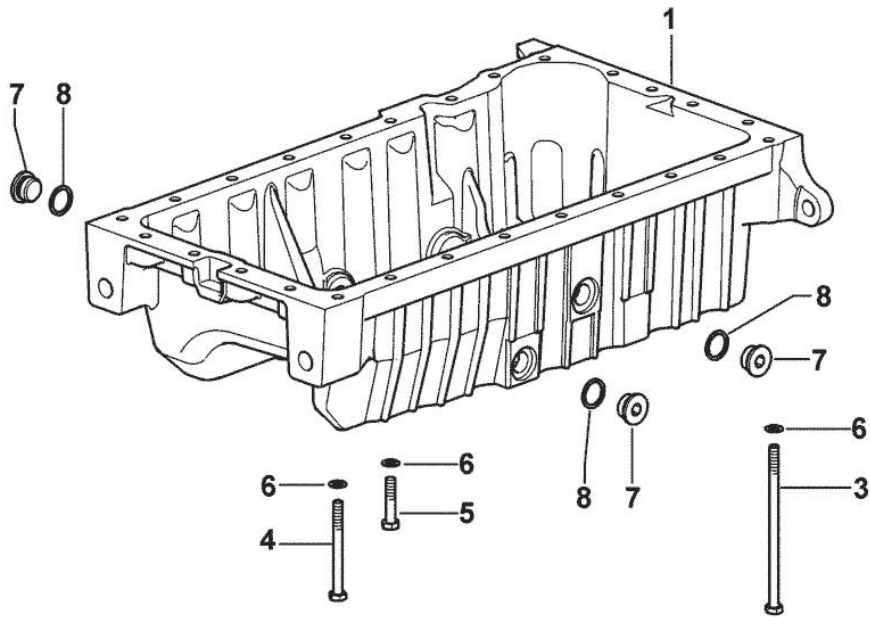
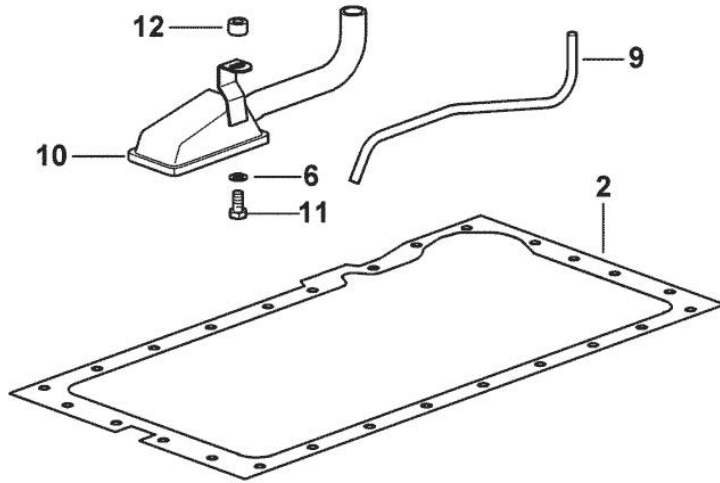
Section: ENGINE

**OIL PAN**

| Fig. | P/n | QTY | Name |
|------|-----|-----|------|
|------|-----|-----|------|

Notes:  
[XS-90(24"-28")]

|    |                 |    |                        |
|----|-----------------|----|------------------------|
| 1  | 0.010.0910.0/10 | 1  | oil sump               |
| 2  | 0.065.1550.0/10 | 1  | gasket                 |
| 3  | 2.0112.239.2    | 2  | screw m 8 p.1.25 x 150 |
| 4  | 2.0112.226.2    | 7  | screw m 8 p.1.25 x 85  |
| 5  | 2.0112.215.2    | 17 | screw m 8 p.1.25 x 40  |
| 6  | 2.1470.004.2    | 27 | lock washer 8          |
| 7  | 2.3199.001.2    | 3  | plug 1/2" gas          |
| 8  | 2.1560.054.0    | 3  | gasket 21 x 26         |
| 9  | 0.008.9960.0    | 1  | tube                   |
| 10 | 0.008.9959.3/10 | 1  | tube                   |
| 11 | 2.0112.209.2    | 1  | screw m 8 p 1.25 x 25  |
| 12 | 2.1579.766.2    | 1  | spacer 8.5x16x10       |



9\_38715\_01\_0\_0

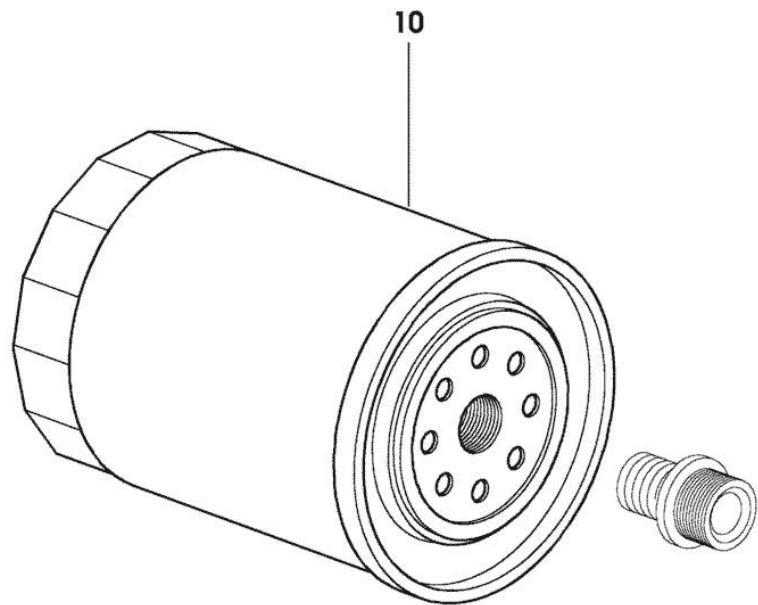
**ENGINE OIL FILTER**

| Fig. | P/n | QTY | Name |
|------|-----|-----|------|
|------|-----|-----|------|

**Notes:**

[XS-90(24"-28")]

|    |              |   |                    |
|----|--------------|---|--------------------|
| 10 | 2.4419.340.0 | 1 | oil filter element |
|----|--------------|---|--------------------|



9\_34415\_04\_0\_0

**<https://www.ebooklibonline.com>**

Hello dear friend!

Thank you very much for reading.

Enter the link into your browser.

The full manual is available for immediate download.

**<https://www.ebooklibonline.com>**