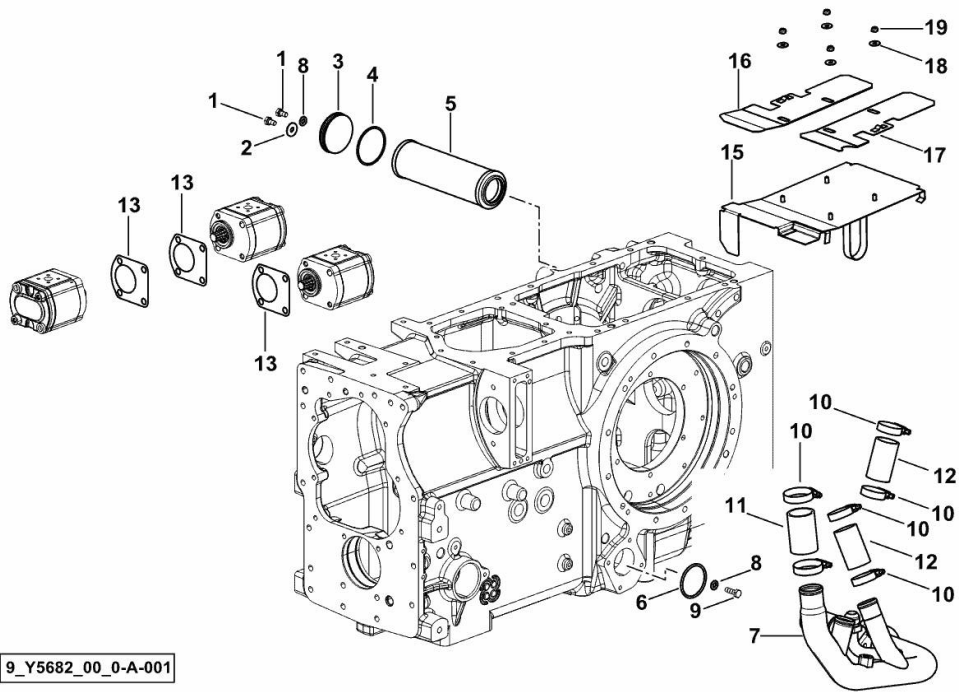


**SUCTION HYDRAULIC SYSTEM**

Fig.	P/n	QTY	Name
------	-----	-----	------

**Notes:**

- FOR TYPES WITH 6-WAY REMOTE SPOOL VALVE WITH FLOW REGULATOR [XM.K 110 T4i -> ZKDY510200TH10001]



9\_Y5682\_00\_0-A-001

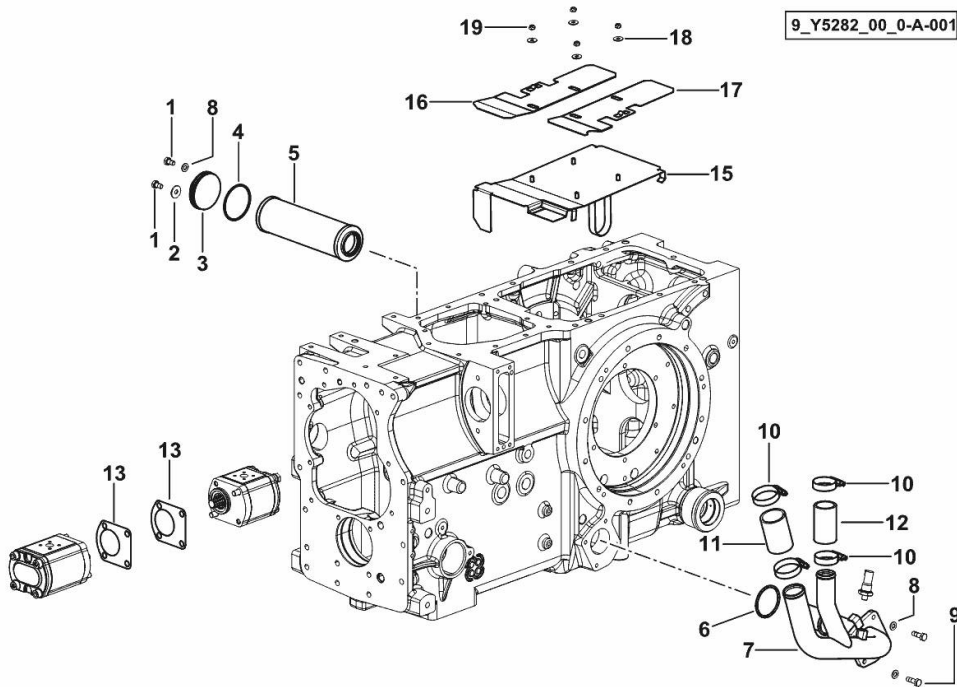
1	2.0112.204.2	3	screw m 8 p.1.25x14
2	2.1312.004.3	2	washer 8,4x24x2
3	0.013.8789.0/10	1	cover
4	2.1532.157.0	1	ring 64.77x2.62
5	2.4419.795.0	1	hydr.oil filter elem.
6	2.1532.138.0	1	oil seal 55.56x3.53
7	0.020.8007.3	1	tube
8	2.1310.004.2	4	flat washer 8.4x17
9	2.0112.209.2	3	screw m 8 p 1.25 x 25
10	2.6851.004.0	6	clamp Ø 32/50
11	2.3213.240.0	1	sleeve
12	2.3213.234.0	2	sleeve Ø 34, L 70
13	0.9104.250.0/10	3	gasket
15	0.020.8049.3	1	guard
16	0.020.1673.2/10	1	plate dx/rh/re
17	0.020.1674.2/10	1	plate sx/lh/li
18	2.1312.003.2	4	washer 6
19	2.1121.003.2	4	self-locking nut

**SUCTION HYDRAULIC SYSTEM**

Fig.	P/n	QTY	Name
------	-----	-----	------

**Notes:**

[XM.K 110 T4i -> ZKDY510200TH10001]



1	2.0112.204.2	3	screw m 8 p.1.25x14
2	2.1312.004.3	2	washer 8,4x24x2
3	0.013.8789.0/10	1	cover
4	2.1532.157.0	1	ring 64.77x2.62
5	2.4419.484.0	1	oil filter
6	2.1532.138.0	1	oil seal 55.56x3.53
7	0.015.1259.3	1	tube
8	2.1310.004.2	5	flat washer 8.4x17
9	2.0112.209.2	4	screw m 8 p 1.25 x 25
10	2.6851.004.0	4	clamp Ø 32/50
11	2.3213.240.0	1	sleeve
12	2.3213.234.0	1	sleeve Ø 34, L 70
13	0.9104.250.0/10	2	gasket
15	0.020.8049.3	1	guard
16	0.020.1673.2/10	1	plate dx/rh/re
17	0.020.1674.2/10	1	plate sx/lh/li
18	2.1312.003.2	4	washer 6
19	2.1121.003.2	4	self-locking nut

**XM.K 110 T4i -> ZKDY510200TH10001**

Section: H0 - HYDRAULIC AND PNEUMATIC SYSTEM|

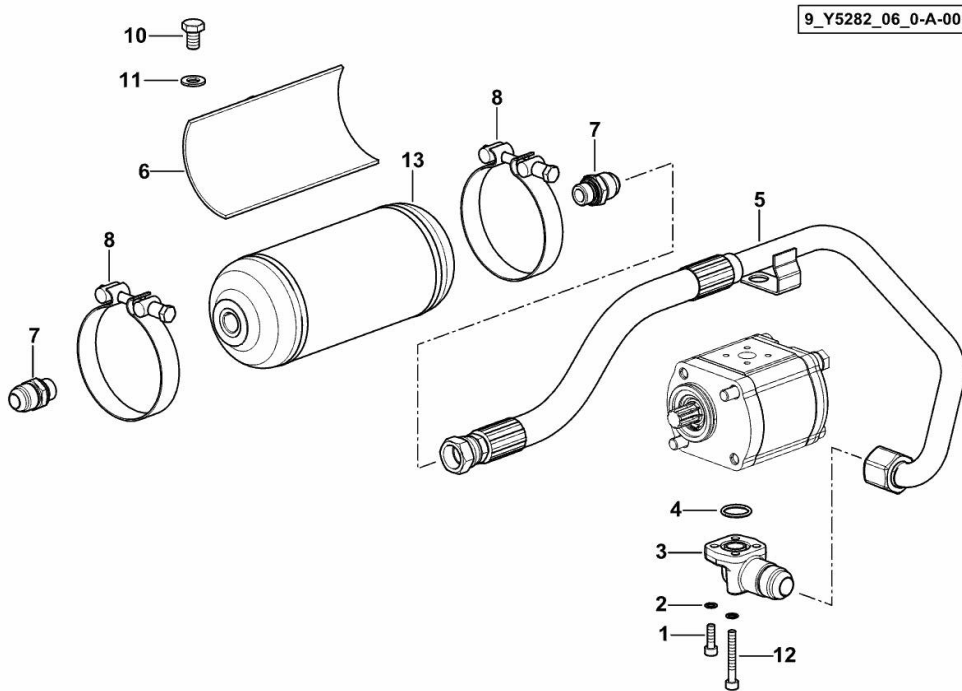
Ref: H0.01.32 (1)

**POWER STEERING OIL FEED HYDRAULIC SYSTEM**

Fig.	P/n	QTY	Name
------	-----	-----	------

**Notes:**

[XM.K 110 T4i -> ZKDY510200TH10001]



1	2.0312.106.2	2	screw m 6 p.1 x 20
2	2.1480.012.2	4	washer 6, d128
3	0.012.7294.0/10	1	flange
4	2.1531.052.0	1	oil seal 20.29 x 2.62
5	0.015.1445.3/20	1	tube
6	0.020.8756.2	1	bracket
7	2.3249.141.2	2	pipe fitting 7/8 JIC-M18
8	0.164.8157.3/20	2	fascia Ø 97
10	2.0112.305.2	2	screw m 10 p.1.5 x 16
11	2.1475.003.2	2	washer 10
12	2.0312.115.2	2	screw m 6 p.1x45
13	0.019.0172.0/10	1	vibration damper WEBER

**<https://www.ebooklibonline.com>**

Hello dear friend!

Thank you very much for reading.

Enter the link into your browser.

The full manual is available for immediate download.

**<https://www.ebooklibonline.com>**

**XM.K 110 T4i -> ZKDY510200TH10001**

Section: H0 - HYDRAULIC AND PNEUMATIC SYSTEM|

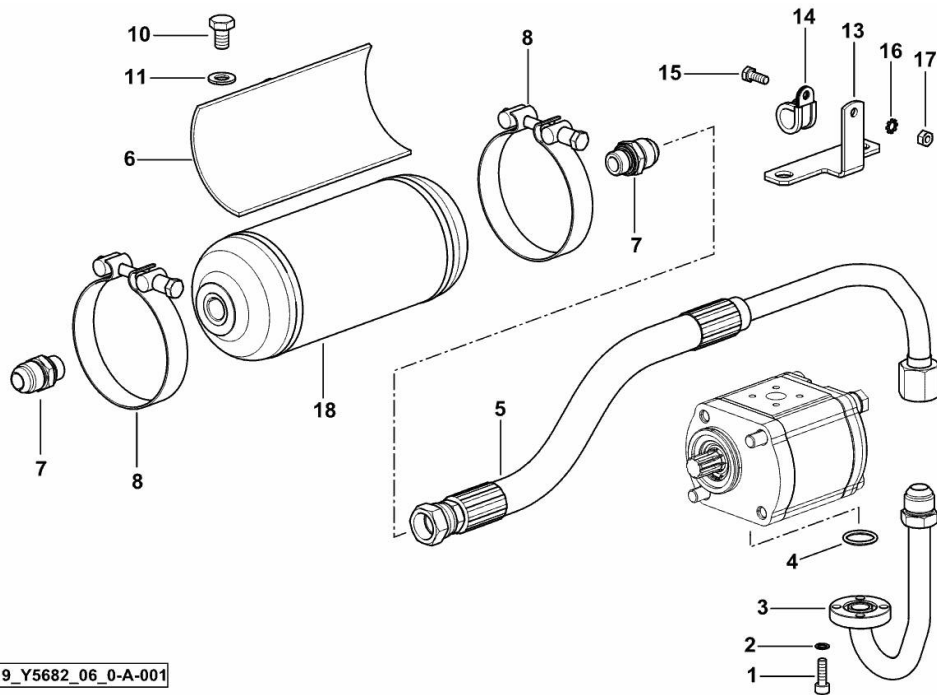
Ref: H0.01.33 (1)

**POWER STEERING OIL FEED HYDRAULIC SYSTEM**

Fig.	P/n	QTY	Name
------	-----	-----	------

**Notes:**

- 60 LT ECO [XM.K 110 T4i -> ZKDY510200TH10001]



1	2.0312.106.2	4	screw m 6 p.1 x 20
2	2.1480.012.2	4	washer 6, d128
3	0.017.5852.3	1	tube
4	2.1531.052.0	1	oil seal 20.29 x 2.62
5	0.017.5805.3	1	tube
6	0.020.8756.2	1	bracket
7	2.3249.141.2	2	pipe fitting 7/8 JIC-M18
8	0.164.8157.3/20	2	fascia Ø 97
10	2.0112.305.2	2	screw m 10 p.1.5 x 16
11	2.1475.003.2	2	washer 10
13	0.017.9694.0	1	bracket
14	2.6839.066.0/10	1	clamp 16
15	2.0112.005.2	1	screw m 6 p.1 x 16
16	2.1470.002.2	1	lock washer 6
17	2.1011.103.2	1	nut m 6 p.1
18	0.019.0172.0/10	1	vibration damper WEBER

9\_Y5682\_06\_0-A-001

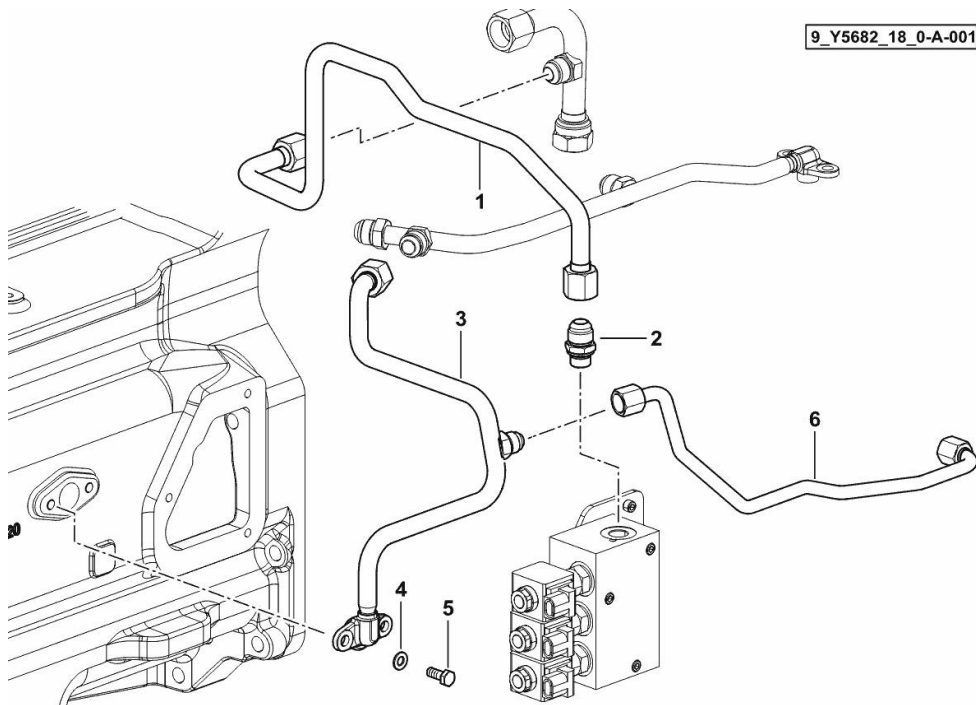
**HYDRAULIC SYSTEM H-M-L**

Fig.	P/n	QTY	Name
------	-----	-----	------

**Notes:**

[XM.K 110 T4i -> ZKDY510200TH10001]

1	0.020.8541.3	1	tube
2	2.3249.141.2	1	pipe fitting 7/8 JIC-M18
3	0.020.7845.3	1	tube
4	2.1310.004.2	2	flat washer 8.4x17
5	2.0112.207.2	2	screw m 8 p 1.25 x 20
6	0.020.7847.3	1	tube



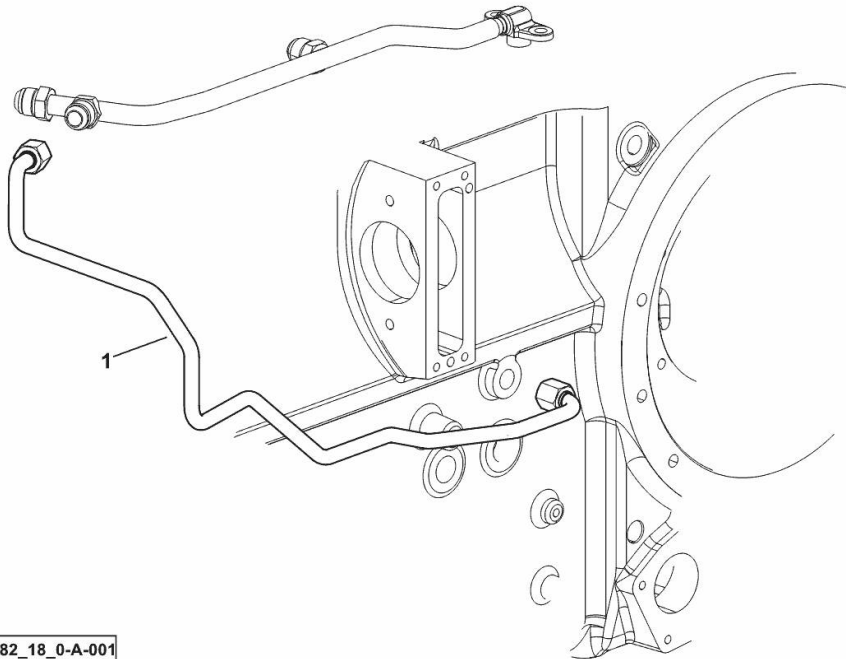
**SECONDARY SHAFT LUBRICATION SYSTEM**

Fig.	P/n	QTY	Name
------	-----	-----	------

**Notes:**

[XM.K 110 T4i -> ZKDY510200TH10001]

1	0.020.7575.3	1	tube
---	--------------	---	------



9\_Y5282\_18\_0-A-001

**XM.K 110 T4i -> ZKDY510200TH10001**

Section: H0 - HYDRAULIC AND PNEUMATIC SYSTEM]

Ref: H0.01.36 (2)

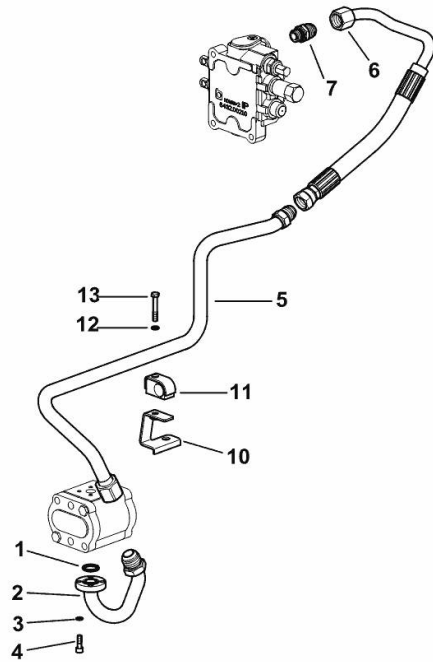
**SYSTEM FROM HYDRAULIC PUMP TO 4-WAY DIRECTIONAL CONTROL VALVE**

Fig.	P/n	QTY	Name
------	-----	-----	------

**Notes:**

[XM.K 110 T4i -> ZKDY510200TH10001]

1	2.1531.052.0	1	oil seal 20.29 x 2.62
2	0.015.1442.3	1	tube
3	2.1480.012.2	4	washer 6, d128
4	2.0312.106.2	4	screw m 6 p.1 x 20
5	0.015.1443.3/10	1	tube
6	0.014.9057.3	1	tube
7	2.3249.141.2	1	pipe fitting 7/8 JIC-M18
10	0.015.4754.3	1	bracket
11	2.3320.111.0	1	terminal Ø 20
12	2.1470.002.2	1	lock washer 6
13	2.0112.015.2	1	screw m 6 p.1x40



9\_H1582\_42\_0-A-002

**XM.K 110 T4i -> ZKDY510200TH10001**

Section: H0 - HYDRAULIC AND PNEUMATIC SYSTEM]

Ref: H0.01.45 (2)

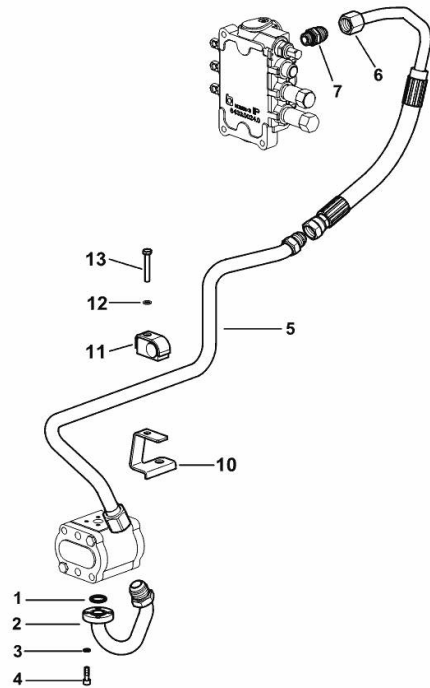
**SYSTEM FROM HYDRAULIC PUMP TO 6-WAY DIRECTIONAL CONTROL VALVE**

Fig.	P/n	QTY	Name
------	-----	-----	------

**Notes:**

- FOR TYPES WITHOUT OIL FLOW CONTROL [XM.K 110 T4i -> ZKDY510200TH10001]

1	2.1531.052.0	1	oil seal 20.29 x 2.62
2	0.015.1442.3	1	tube
3	2.1480.012.2	4	washer 6, d128
4	2.0312.106.2	4	screw m 6 p.1 x 20
5	0.015.1443.3/10	1	tube
6	0.014.9058.3	1	tube
7	2.3249.141.2	1	pipe fitting 7/8 JIC-M18
10	0.015.4754.3	1	bracket
11	2.3320.111.0	1	terminal Ø 20
12	2.1470.002.2	1	lock washer 6
13	2.0112.015.2	1	screw m 6 p.1x40



9\_H1582\_44\_0-A-002

**XM.K 110 T4i -> ZKDY510200TH10001**

Section: H0 - HYDRAULIC AND PNEUMATIC SYSTEM]

Ref: H0.01.46 (1)

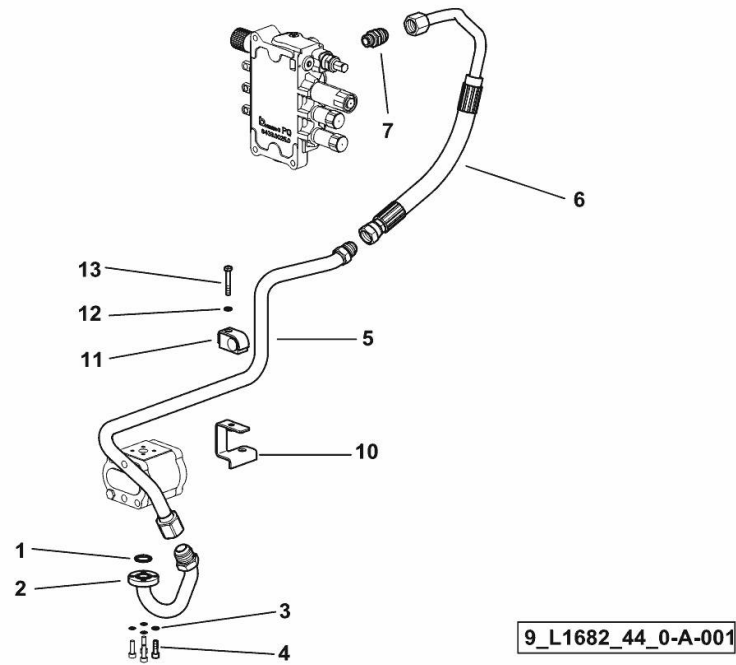
**SYSTEM FROM HYDRAULIC PUMP TO 6-WAY DIRECTIONAL CONTROL VALVE**

Fig.	P/n	QTY	Name
------	-----	-----	------

**Notes:**

[XM.K 110 T4i -> ZKDY510200TH10001]

1	2.1531.052.0	1	oil seal 20.29 x 2.62
2	0.015.1442.3	1	tube
3	2.1480.012.2	4	washer 6, d128
4	2.0312.106.2	4	screw m 6 p.1 x 20
5	0.015.1443.3/10	1	tube
6	0.016.0895.3	1	tube
7	2.3249.141.2	1	pipe fitting 7/8 JIC-M18
10	0.015.4754.3	1	bracket
11	2.3320.111.0	1	terminal Ø 20
12	2.1470.002.2	1	lock washer 6
13	2.0112.015.2	1	screw m 6 p.1x40



**XM.K 110 T4i -> ZKDY510200TH10001**

Section: H0 - HYDRAULIC AND PNEUMATIC SYSTEM]

Ref: H0.01.47 (1)

**SYSTEM FROM HYDRAULIC PUMP TO 6-WAY DIRECTIONAL CONTROL VALVE**

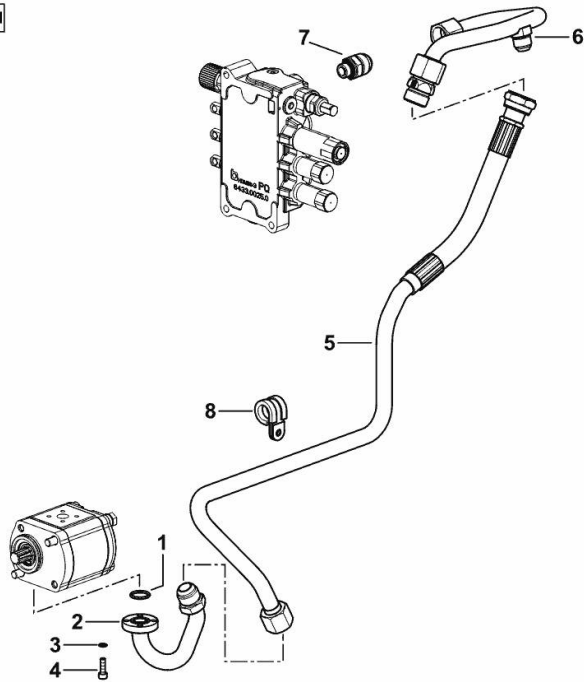
Fig.	P/n	QTY	Name
------	-----	-----	------

**Notes:**

- 60 LT ECO [XM.K 110 T4i -> ZKDY510200TH10001]

1	2.1531.052.0	1	oil seal 20.29 x 2.62
2	0.015.1442.3	1	tube
3	2.1480.012.2	4	washer 6, d128
4	2.0312.106.2	4	screw m 6 p.1 x 20
5	0.020.7886.3	1	tube
6	0.020.8797.4	1	tube
7	2.3249.148.2	1	pipe fitting m 18 - 1/16" JIC
8	2.6839.051.0	1	clamp 20/20

9\_Y5282\_44\_0-A-001



**XM.K 110 T4i -> ZKDY510200TH10001**

Section: H0 - HYDRAULIC AND PNEUMATIC SYSTEM]

Ref: H0.01.50 (2)

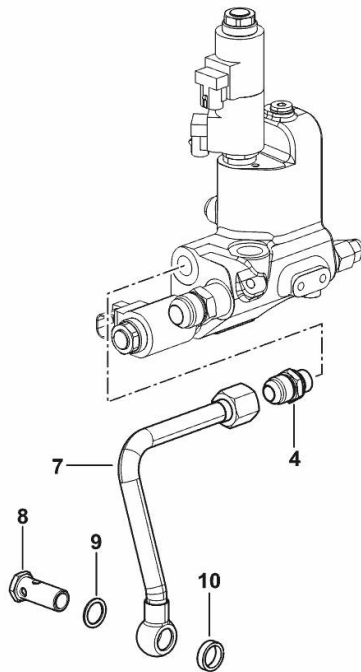
**HYDRAULIC SYSTEM - FOR 2-WAY AUXILIARY CONTROL VALVE**

Fig.	P/n	QTY	Name
------	-----	-----	------

**Notes:**

- FOR MODELS WITH FRONT LIFT [XM.K 110 T4i -> ZKDY510200TH10001]

4	2.3249.401.2	1	pipe fitting 7/8 JIC-M18
7	0.018.5551.3	1	tube
8	2.3335.055.2	1	pipe union m 18 p.1.5
9	2.1560.014.0	1	washer 18.2 x 24
10	2.1569.158.0/10	1	gasket 18.2 x 24 x 6.5



9\_Y5288\_11\_0-B-002



XM.K 110 T4i -> ZKDY510200TH10001

Section: H0 - HYDRAULIC AND PNEUMATIC SYSTEM]

Ref: H0.01.54 (1)

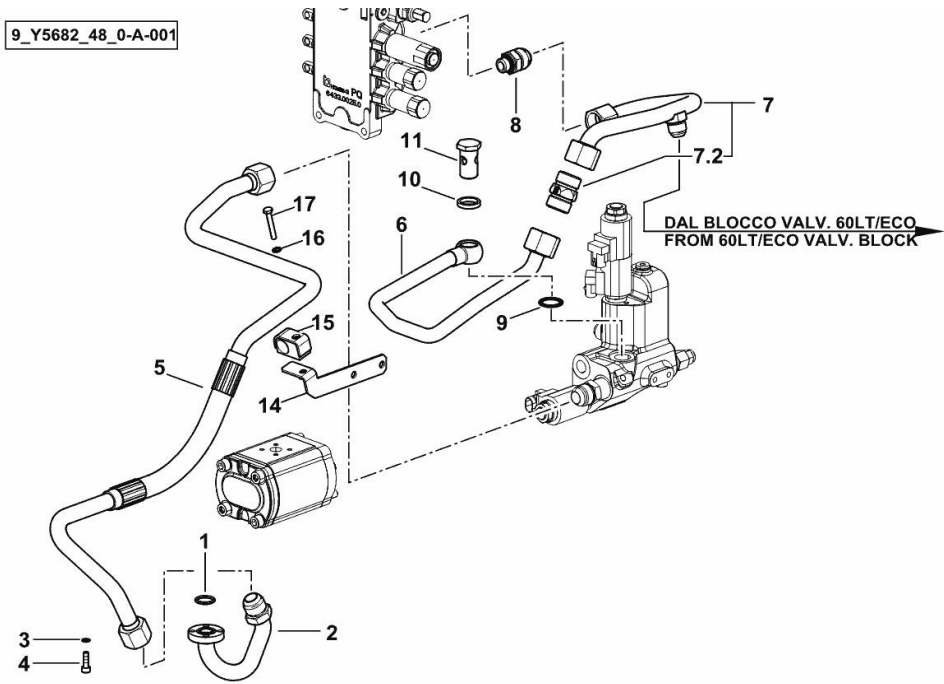
**HYDRAULIC SYSTEM - FOR 2-WAY AUXILIARY CONTROL VALVE**

Fig.	P/n	QTY	Name
------	-----	-----	------

Notes:

- 60 LT ECO [XM.K 110 T4i -> ZKDY510200TH10001]

1	2.1531.052.0	1	oil seal 20.29 x 2.62
2	0.015.1442.3	1	tube
3	2.1480.012.2	4	washer 6, d128
4	2.0312.106.2	4	screw m 6 p.1 x 20
5	0.020.7871.3	1	tube
6	0.020.8806.3	1	tube
7	0.020.8797.4	1	tube
7.2	2.3729.034.0	1	valve
8	2.3249.148.2	1	pipe fitting m 18 - 1/16" JIC
9	2.1561.112.0	1	gasket Ø 22 -B-
10	2.1569.172.0/10	1	gasket 29x22.2x5
11	2.3335.009.2	1	pipe union m 22 p.1.5 x 39
14	0.021.5065.3	1	bracket
15	2.3320.111.0	1	terminal Ø 20
16	2.1470.002.2	1	lock washer 6
17	2.0112.015.2	1	screw m 6 p.1x40



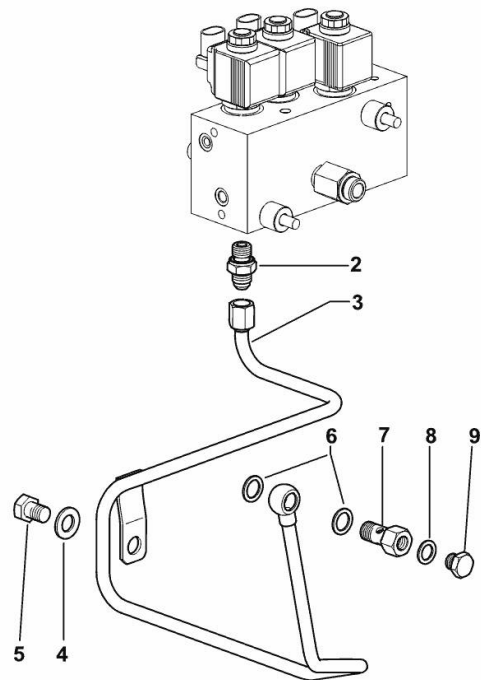
**HI-LO HYDRAULIC SYSTEM**

Fig.	P/n	QTY	Name
------	-----	-----	------

**Notes:**

[XM.K 110 T4i -> ZKDY510200TH10001]

2	2.3249.159.2	1	pipe fitting M/M 9/16JIC-M14
3	0.015.1342.3/10	1	tube
4	2.0112.405.2	1	screw m 12 p.1.75x16
5	2.1475.004.7	1	washer 13 x 24
6	2.1560.010.0	2	gasket 14.2 x 20
7	2.3339.860.2/20	1	pipe union m 14 p.1.5
8	2.1560.008.0	1	gasket 12.2 x 18
9	2.3110.402.2	1	plug m 12 p.1.5



9\_H1582\_18\_0-A-002



**Suggest:**

**For more complete manuals. Please go to the home page.**

**<https://www.ebooklibonline.com>**

**If the above button click is invalid. Please download this document first, and then click the above link to download the complete manual.**

**Thank you so much for reading**



**XM.K 110 T4i -> ZKDY510200TH10001**

Section: H0 - HYDRAULIC AND PNEUMATIC SYSTEM]

Ref: H0.01.59 (1)

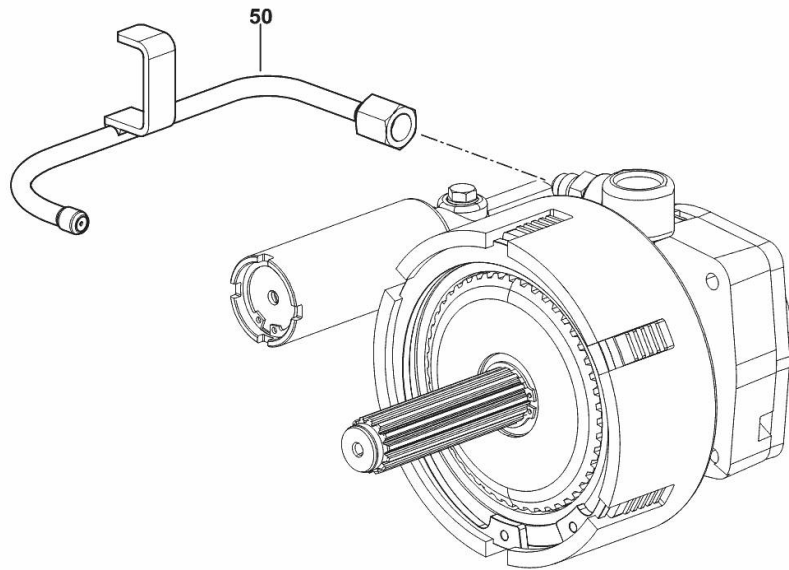
**LUBRICATION LINE FOR ELECTRO HYDRAULICALLY CONTROLLED  
PTO HYDRAULIC CLUTCH**

Fig.	P/n	QTY	Name
------	-----	-----	------

**Notes:**

[XM.K 110 T4i -> ZKDY510200TH10001]

50	0.020.7922.3	1	tube
----	--------------	---	------



9\_Y5239\_00\_0-B-001

**<https://www.ebooklibonline.com>**

Hello dear friend!

Thank you very much for reading.

Enter the link into your browser.

The full manual is available for immediate download.

**<https://www.ebooklibonline.com>**