

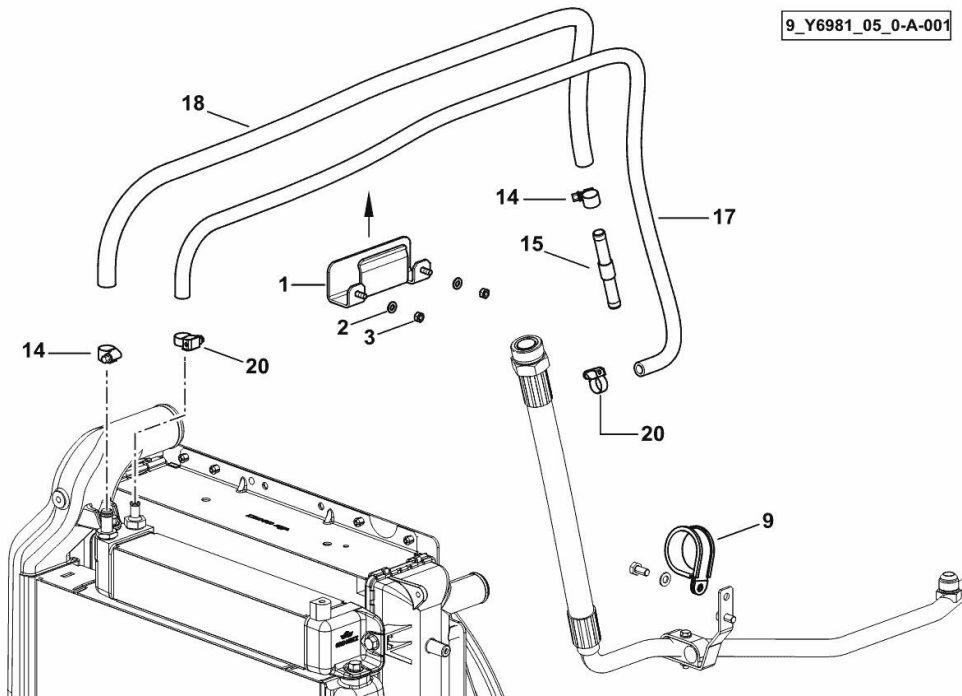
FUEL COOLER PIPES

Fig.	P/n	QTY	Name
------	-----	-----	------

Notes:

[XM.K 110 T4i -> ZKDY430200TH10001]

1	0.019.1931.3	1	channel
2	2.1310.002.2	2	flat washer 6.4x12.5
3	2.1011.103.2	2	nut m 6 p.1
9	2.6839.073.2	1	clamp 45
14	2.6851.001.0	2	clamp Ø 16/25
15	0.015.8420.0	1	pipe fitting
17	0.012.6449.0	1.32	tube
18	0.012.6450.0	1.2	tube Ø mm 13/20
20	2.6851.019.0	2	clamp Ø 13/20



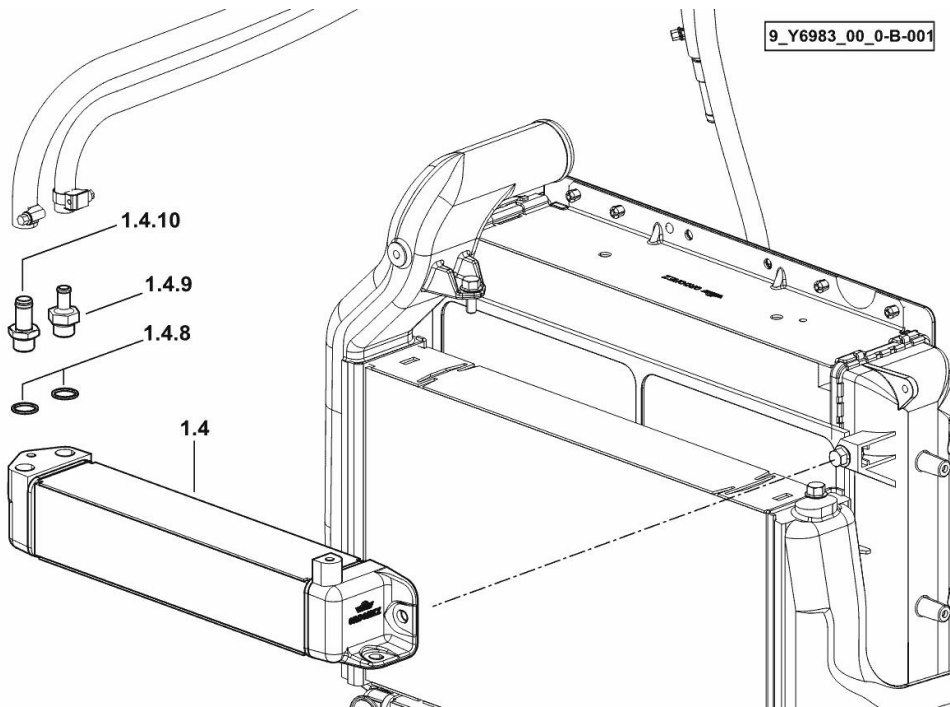
FUEL COOLER

Fig.	P/n	QTY	Name
------	-----	-----	------

Notes:

[XM.K 110 T4i -> ZKDY430200TH10001]

1.4	0.018.9384.3	1	radiator
1.4.8	2.1560.053.0	2	gasket 17 x 21
1.4.9	2.3249.373.0	1	pipe fitting 3/8"
1.4.10	2.3249.085.2/10	1	pipe fitting 3/8" gas

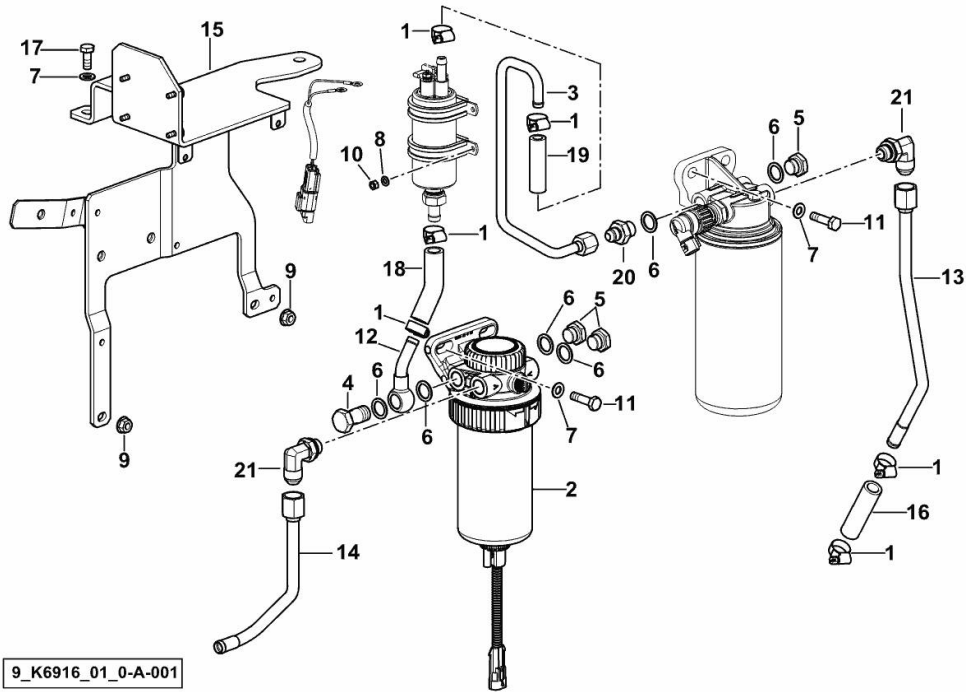


FUEL PRELIMINARY FILTER

Fig.	P/n	QTY	Name
------	-----	-----	------

Notes:

[XM.K 110 T4i -> ZKDY430200TH10001] 10001 <-



9_K6916_01_0-A-001

1	2.6851.019.0	6	clamp Ø 13/20
2	2.4319.316.0/10	1	precleaner ☞ 2.4319.316.0/10
3	0.020.7099.3	1	tube
4	2.3332.005.2	1	pipe fitting m 16 p.1.5
5	2.3110.404.2	3	plug m 16 p.1.5
6	2.1560.012.0	6	gasket 16.2 x 22
7	2.1310.004.2	5	flat washer 8.4x17
8	2.1310.001.2	4	flat washer 5.3 x 10
9	2.1071.004.2	2	special nut m 8
10	2.1011.102.2	4	nut m 5 p.0.7
11	2.0112.211.2	4	screw m 8 p.1.25 x 30
12	0.019.1475.3/10	1	tube
13	0.020.7098.3	1	tube
14	0.020.6903.3	1	tube
15	0.019.0960.3/10	1	bracket
16	0.012.6450.0	0.07	tube Ø mm 13/20
17	2.0112.207.2	1	screw m 8 p 1.25 x 20
18	0.012.6450.0	0.08	tube Ø mm 13/20
19	0.012.6449.0	0.06	tube
20	2.3261.007.2	1	pipe fitting m 16 p.1.5-9/16"
21	2.3264.011.2	2	pipe fitting

<https://www.ebooklibonline.com>

Hello dear friend!

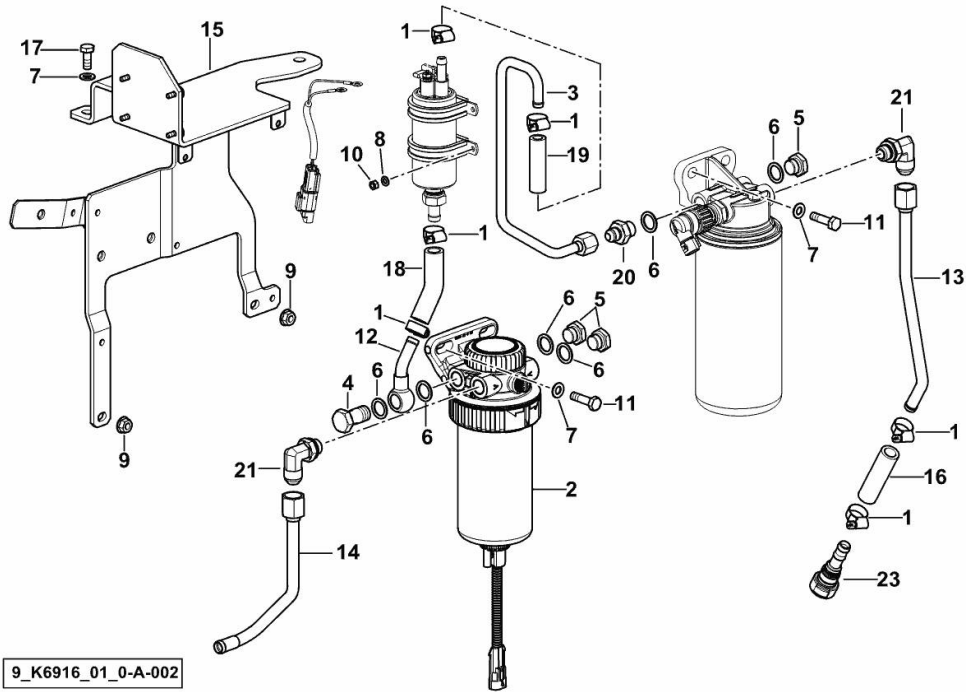
Thank you very much for reading.

Enter the link into your browser.

The full manual is available for immediate download.

<https://www.ebooklibonline.com>

FUEL PRELIMINARY FILTER



9_K6916_01_0-A-002

Fig.	P/n	QTY	Name
------	-----	-----	------

Notes:

[XM.K 110 T4i -> ZKDY430200TH10001]

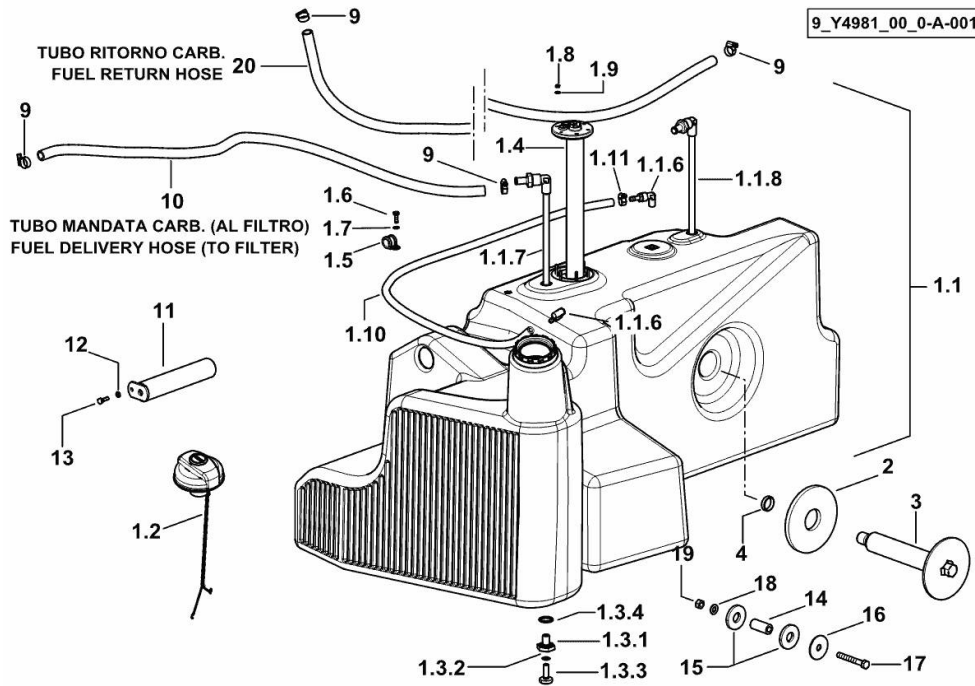
1	2.6851.019.0	6	clamp Ø 13/20
2	2.4319.316.0/10	1	precleaner ☞ 2.4319.316.0/10
3	0.020.7099.3	1	tube
4	2.3332.005.2	1	pipe fitting m 16 p.1.5
5	2.3110.404.2	3	plug m 16 p.1.5
6	2.1560.012.0	6	gasket 16.2 x 22
7	2.1310.004.2	5	flat washer 8.4x17
8	2.1310.001.2	4	flat washer 5.3 x 10
9	2.1071.004.2	2	special nut m 8
10	2.1011.102.2	4	nut m 5 p.0.7
11	2.0112.211.2	4	screw m 8 p.1.25 x 30
12	0.019.1475.3/10	1	tube
13	0.021.2676.3	1	tube
14	0.020.6903.3	1	tube
15	0.019.0960.3/10	1	bracket
16	0.012.6450.0	0.07	tube Ø mm 13/20
17	2.0112.207.2	1	screw m 8 p 1.25 x 20
18	0.012.6450.0	0.08	tube Ø mm 13/20
19	0.012.6449.0	0.06	tube
20	2.3261.007.2	1	pipe fitting m 16 p.1.5-9/16"
21	2.3264.011.2	2	pipe fitting
23	0.021.3780.0	1	connection

FUEL TANK

Fig.	P/n	QTY	Name
------	-----	-----	------

Notes:

[XM.K 110 T4i -> ZKDY430200TH10001]



1.1	0.020.6477.3	1	fuel tank
1.1.6	0.010.0749.0	2	breather
1.1.7	0.020.7023.3	1	tube
1.1.8	0.016.3795.3	1	tube
1.2	0.019.9407.4	1	plug
1.3.1	0.016.9607.0	1	plug m10
1.3.2	2.1560.006.0	1	gasket 10.2 x 16
1.3.3	0.016.9605.0	1	plug m14
1.3.4	2.1539.040.0	1	special oil seal 21.82 x 3.53
1.4	2.7059.014.0	1	level indicator
1.5	2.6839.066.0/10	1	clamp 16
1.6	2.0112.006.2	1	screw m 6 p.1 x 18
1.7	2.1470.002.2	1	lock washer 6
1.8	2.1011.101.2	6	nut
1.9	2.1310.028.2	6	flat washer
1.10	0.012.6451.0	1.14	tube Ø mm 8/15
1.11	2.6851.018.0	2	clamp Ø11/17
2	0.010.6927.0/10	1	shim
3	0.014.3176.2/10	1	pin
4	2.1549.334.2	1	spacer 26x30x8
9	2.6851.019.0	4	clamp Ø 13/20
10	0.012.6450.0	1.08	tube Ø mm 13/20 - DELIVERY
11	0.014.8587.2	1	pin
12	2.1470.002.2	1	lock washer 6
13	2.0112.007.2	1	screw m 6 p.1 x 20
14	2.1549.328.2	1	spacer 10.5x20x45
15	2.1569.161.0	2	gasket 20x50x6
16	2.1599.354.2	1	washer 12.5x50x3
17	2.0112.324.2	1	screw m 10 p.1.5x75
18	2.1310.006.2	1	flat washer 10.5x21
19	2.1011.106.2	1	nut m 10 p.1.5
20	0.012.6450.0	1.55	tube Ø mm 13/20 - RETURN

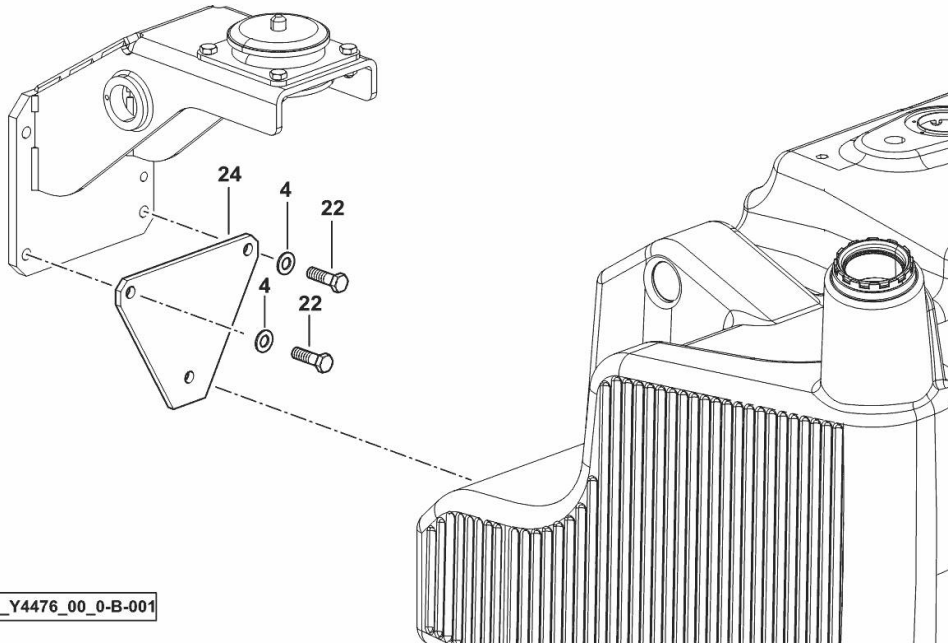
FUEL TANK SUPPORT

Fig.	P/n	QTY	Name
------	-----	-----	------

Notes:

[XM.K 110 T4i -> ZKDY430200TH10001]

4	2.1475.004.2	16	spring washer 12
22	2.0113.415.2	2	screw m 12 p.1.75 x 40
24	0.020.6919.0	1	bracket



9_Y4476_00_0-B-001

FUEL TANK FIXING PARTS

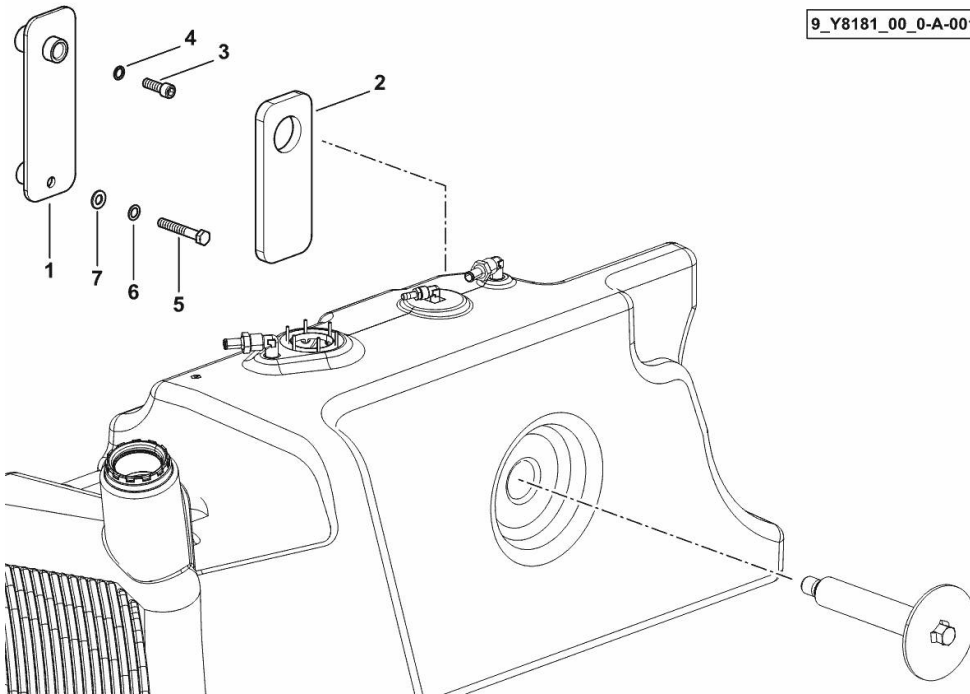
Fig.	P/n	QTY	Name
------	-----	-----	------

Notes:

[XM.K 110 T4i -> ZKDY430200TH10001]

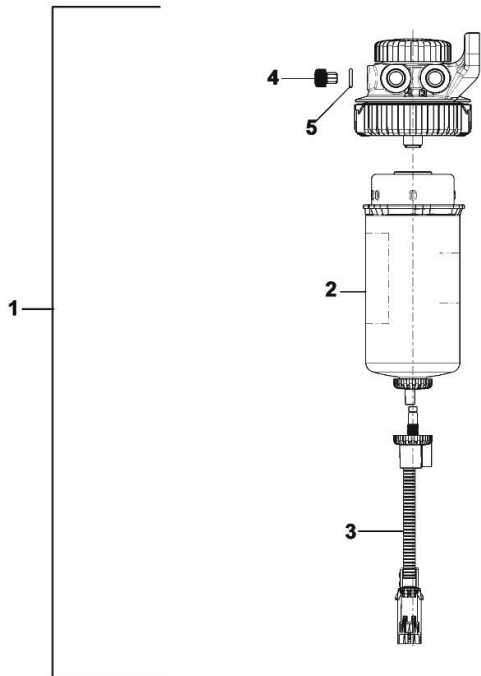
1	0.019.2969.2/10	1	tank support
2	0.019.2974.0	1	shim
3	2.0312.412.2	1	screw m 12 p.1.75x35
4	2.1480.016.2	1	washer 12
5	2.0112.424.2	1	screw m 12 p.1.75x75
6	2.1470.007.2	1	lock washer 12
7	2.1310.007.2	1	flat washer 13 x 24

9_Y8181_00_0-A-001



PREFILTER

Fig.	P/n	QTY	Name
1	2.4319.316.0/10	1	precleaner
2	0.900.2043.4	1	filter
3	0.900.2261.4	1	clogging warning ind.
4	0.900.0864.3	1	screw
5	0.900.0789.8	1	ring



2.4319.316.0_10

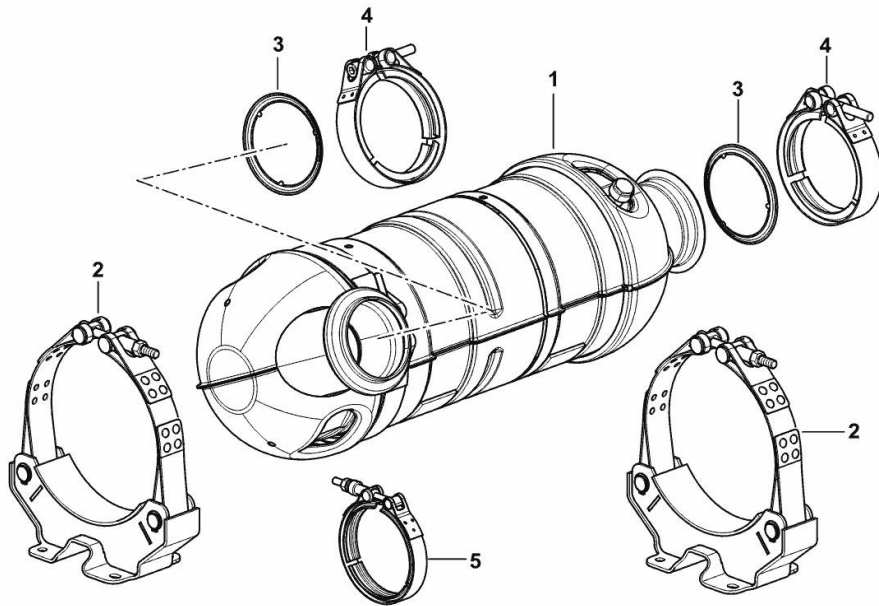
EXHAUST SYSTEM

Fig.	P/n	QTY	Name
------	-----	-----	------

Notes:

[XM.K 110 T4i -> ZKDY430200TH10001]

1	01980210	1	silencer
2	04603276	2	fascia
3	04600004	2	gasket
4	04603585	2	clamp
5	04602018	1	gasket



9_K7119_10_0-A-001



Suggest:

For more complete manuals. Please go to the home page.

<https://www.ebooklibonline.com>

If the above button click is invalid. Please download this document first, and then click the above link to download the complete manual.

Thank you so much for reading

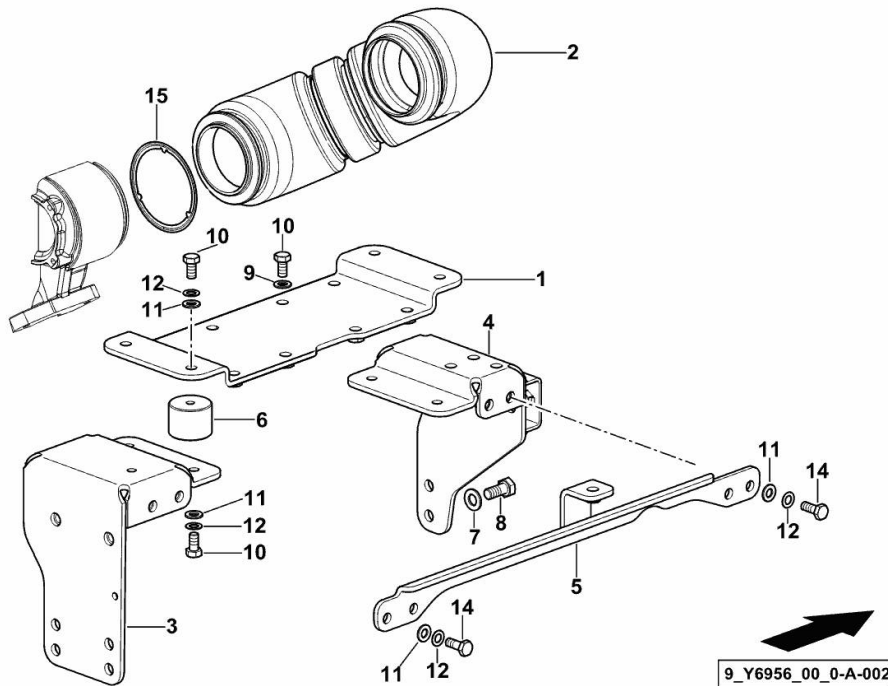
EXHAUST SYSTEM

Fig.	P/n	QTY	Name
------	-----	-----	------

Notes:

[XM.K 110 T4i -> ZKDY430200TH10001]

1	0.019.9148.3/10	1	plate
2	0.018.9834.3/10	1	tube
3	0.019.9155.3/10	1	bracket
4	0.019.9179.3/20	1	bracket
5	0.019.9149.3/10	1	bracket
6	0.021.1192.0	4	spacer
7	2.1475.003.2	2	washer 10
8	2.0112.308.2	2	screw m 10 p.1.5x22
9	2.1475.002.2	8	conical washer 8
10	2.0112.205.2	16	screw m 8 p.1.25 x 16
11	2.1310.004.2	12	flat washer 8.4x17
12	2.1470.004.2	12	lock washer 8
14	2.0112.207.2	4	screw m 8 p 1.25 x 20
15	0.019.7817.0	1	gasket

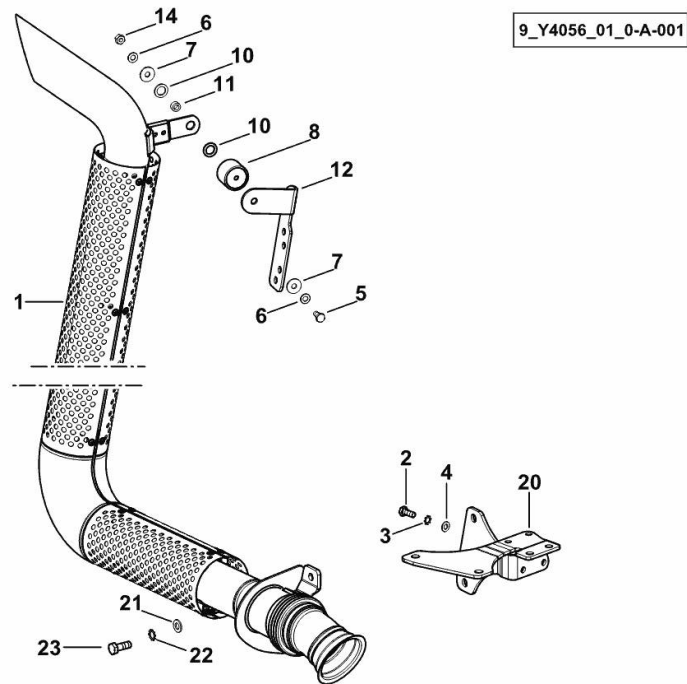


EXHAUST PIPE

Fig.	P/n	QTY	Name
------	-----	-----	------

Notes:

[XM.K 110 T4i -> ZKDY430200TH10001]



1	0.020.5482.4	1	exhaust pipe
2	2.0112.207.2	2	screw m 8 p 1.25 x 20
3	2.1470.004.2	2	lock washer 8
4	2.1310.004.2	2	flat washer 8.4x17
5	2.0112.205.2	1	screw m 8 p.1.25 x 16
6	2.1475.002.2	2	conical washer 8
7	2.1312.004.2	2	washer 8x24x2
8	0.010.1054.2/10	1	support
10	2.1549.169.0	2	spacer 14.5x22x2
11	2.1579.994.2	1	spacer 8.5x14x7
12	0.020.6701.0	1	bracket
14	2.1011.105.2	1	nut m 8 p.1.25
20	0.019.9300.3	1	bracket
21	2.1310.006.2	2	flat washer 10.5x21
22	2.1470.006.2	2	lock washer 10
23	2.0112.310.2	2	screw m 10 p.1.5x28

<https://www.ebooklibonline.com>

Hello dear friend!

Thank you very much for reading.

Enter the link into your browser.

The full manual is available for immediate download.

<https://www.ebooklibonline.com>