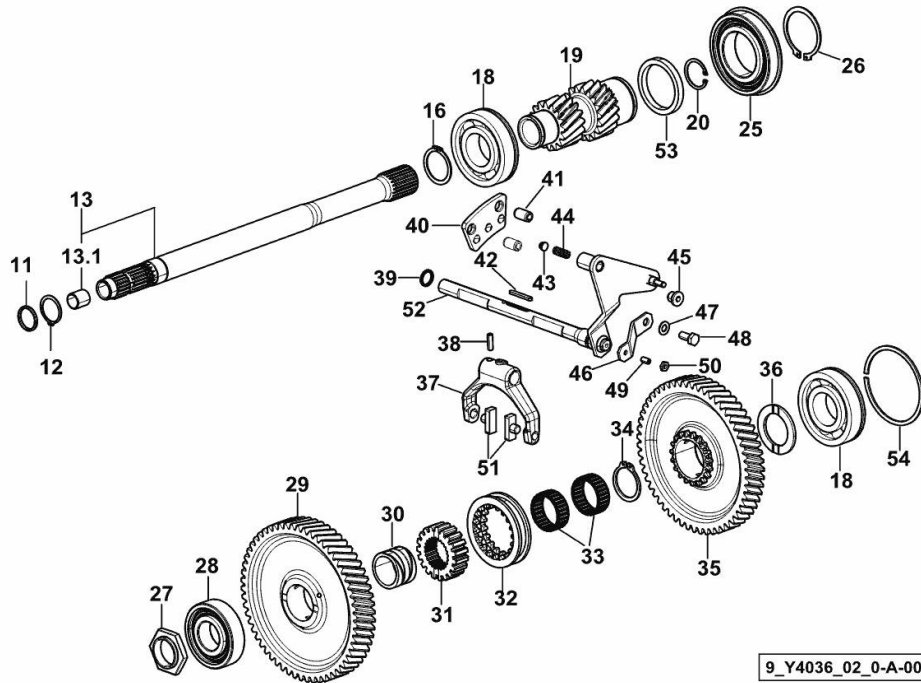


P.T.O. - 2 SPEED TYPE

Fig.	P/n	QTY	Name
------	-----	-----	------

Notes:

[XM.K 100 T4i -> ZKDY390200TH10001]



11	2.1530.062.0	1	oil seal 23.81 x 2.62
12	2.1410.012.7	1	circlip
13	0.020.8286.3	1	shaft
13.1	2.1559.023.0/10	1	special bushing 15.8x19x20
16	2.1410.016.7	1	circlip 40x1.75
18	2.2999.367.0	2	special bearing 40 x 90 x 23
19	0.021.0852.0	1	gear
20	2.1411.014.1	1	circlip 35
25	2.2043.015.0	1	bearing 55 x 100 x 21
26	2.1410.022.1	1	circlip 55
27	2.255.3661.0	1	ring nut m 35x1.5
28	2.2060.011.0	1	ball bearing 35 x 80 x 21
29	0.020.8206.0	1	gear z=58 z=19
30	0.007.3471.0/10	1	special bushing
31	0.013.1306.0	1	hub Z = 19
32	0.255.3438.0/20	1	sleeve Z = 19
33	2.2770.073.0	2	roller cage 40x47x18
34	2.1412.015.7	1	circlip 40x2.5
35	0.021.0853.0	1	gear
36	0.255.3450.0	1	shoulder ring 40 x 60 x 3.5
37	0.007.3487.0	1	fork
38	2.0512.108.7	1	screw m 6 p.1 x 20
39	2.1530.038.0	1	oil seal 15.54x2.62
40	0.014.8955.0/20	1	small plate
41	2.1630.910.2	2	pin 12 x 20
42	2.1711.011.0	1	stick 5x3x36
43	0.015.1844.0	1	pin
44	2.4019.622.1	1	spring 6.3 x 9.5 x 1.6 x 22.4
45	2.0319.007.2	1	screw m 12 p.1.5
46	0.020.2696.0	1	small plate
47	2.1475.002.2	1	conical washer 8
48	2.0112.206.2	1	screw m 8 p.1.25 x 18
49	2.0532.104.7	1	grub screw m 6 p.1 x 12
50	2.1011.203.2	1	nut m 6 p.1
51	0.255.6463.0	2	shoe
52	0.020.7773.2/10	1	lever
53	2.1549.816.0	1	spacer 55x68x8.5
54	2.1429.067.7	1	circlip Ø 90

4 SPEED P.T.O.

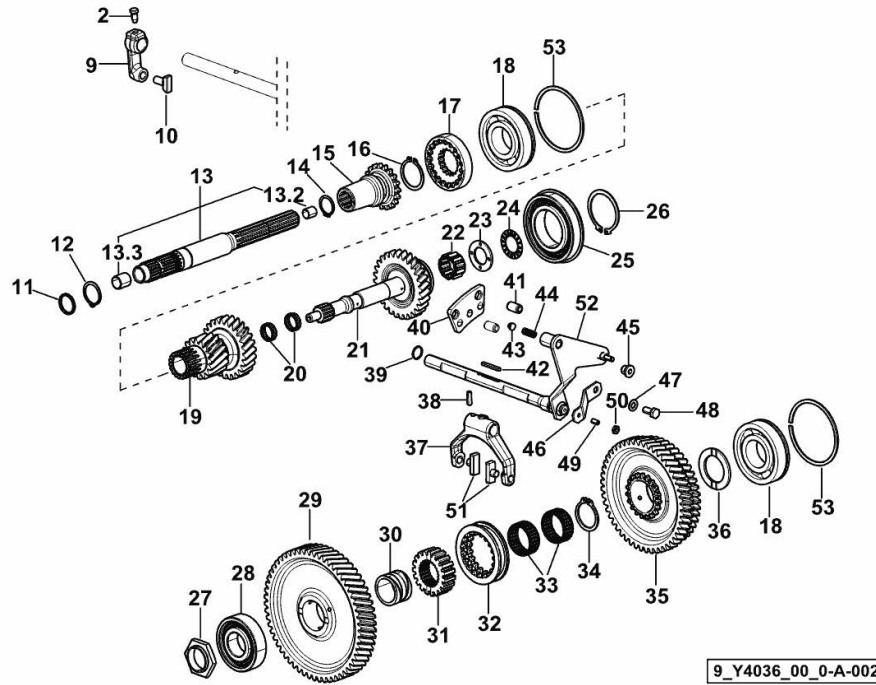


Fig.	P/n	QTY	Name
------	-----	-----	------

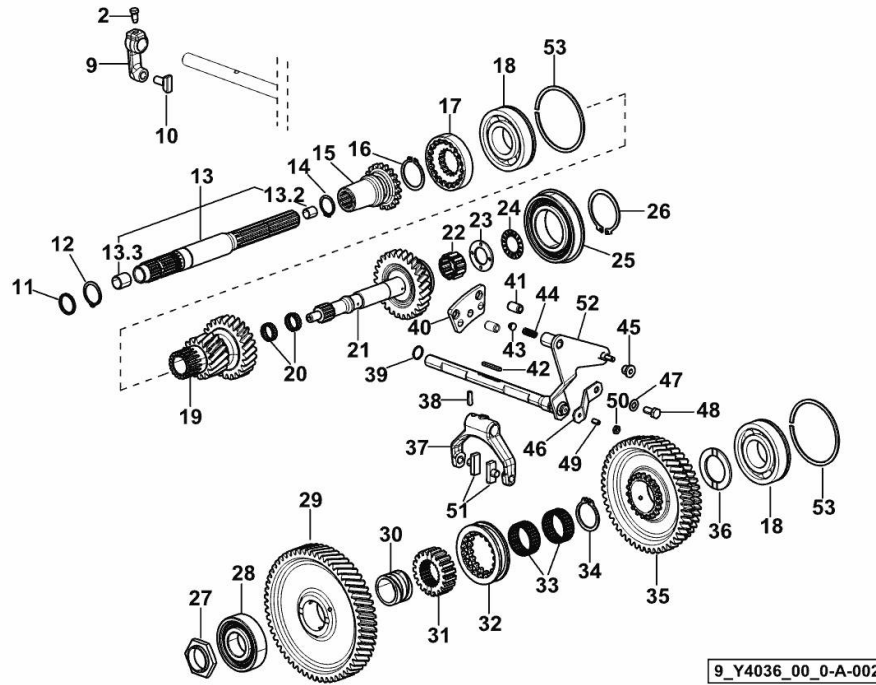
Notes:

[XM.K 100 T4i -> ZKDY390200TH10001]-> 10001

2	2.0399.019.1	1	screw m 8 p.1 x 16
9	0.007.3492.0	1	small lever
10	0.001.5945.0/10	1	shoe
11	2.1530.062.0	1	oil seal 23.81 x 2.62
12	2.1410.012.7	1	circlip
13	0.007.3479.3/10	1	power take-off shaft
13.2	2.1552.101.0	1	bushing 12 x 14 x 15
13.3	2.1559.023.0/10	1	special bushing 15.8x19x20
14	2.1410.010.7	1	circlip 25
15	0.009.6866.0	1	sleeve
16	2.1410.016.7	1	circlip 40x1.75
17	0.009.6867.0	1	crown wheel
18	2.2999.367.0	2	special bearing 40 x 90 x 23
19	0.020.8207.0	1	gear
20	2.2999.208.0	2	roller cage 20x26x8.8
21	0.020.8210.0	1	gear
22	2.2999.198.0	1	roller cage 25x37x20
23	2.1579.958.0	1	spacer 25 x 44 x 3
24	2.2999.229.0	1	roller cage 25x42x2
25	2.2043.015.0	1	bearing 55 x 100 x 21
26	2.1410.022.1	1	circlip 55
27	0.255.3661.0	1	ring nut m 35x1.5
28	2.2060.011.0	1	ball bearing 35 x 80 x 21
29	0.020.8206.0	1	gear z=58 z=19
30	0.007.3471.0/10	1	special bushing
31	0.013.1306.0	1	hub Z = 19
32	0.255.3438.0/20	1	sleeve Z = 19
33	2.2770.073.0	1	roller cage 40x47x18
34	2.1412.015.7	1	circlip 40x2.5
35	0.020.8208.0	1	gear Z = 49 / Z = 46 / Z = 19
36	0.255.3450.0	1	shoulder ring 40 x 60 x 3.5
37	0.007.3487.0	1	fork
38	2.0512.108.7	1	screw m 6 p.1 x 20
39	2.1530.038.0	1	oil seal 15.54x2.62
40	0.014.8955.0/20	1	small plate
41	2.1630.910.2	2	pin 12 x 20
42	2.1711.011.0	1	stick 5x3x36
43	0.015.1844.0	1	pin
44	2.4019.622.1	1	spring 6.3 x 9.5 x 1.6 x 22.4
45	2.0319.007.2	1	screw m 12 p.1.5
46	0.020.2696.0	1	small plate

4 SPEED P.T.O.

Fig.	P/n	QTY	Name
47	2.1475.002.2	1	conical washer 8
48	2.0112.206.2	1	screw m 8 p.1.25 x 18
49	2.0532.104.7	1	grub screw m 6 p.1 x 12
50	2.1011.203.2	1	nut m 6 p.1
51	0.255.6463.0	2	shoe
52	0.020.7773.2/10	1	lever
53	2.1429.067.7	2	circlip Ø 90



<https://www.ebooklibonline.com>

Hello dear friend!

Thank you very much for reading.

Enter the link into your browser.

The full manual is available for immediate download.

<https://www.ebooklibonline.com>

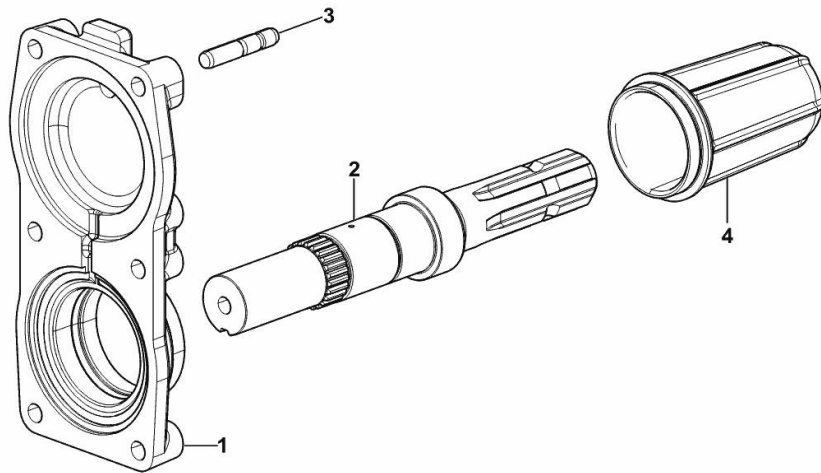
P.T.O. - FIXED END SHAFT

Fig.	P/n	QTY	Name
------	-----	-----	------

Notes:

[XM.K 100 T4i -> ZKDY390200TH10001]

1	0.010.7888.0/20	1	cover
2	0.007.3475.0/20	1	power take-off shaft
3	2.0432.161.7	6	stud bolt m 10 p.1.5 / p.1.25 x 40
4	0.154.3655.0/10	1	guard



9_Y4036_03_0-A-001

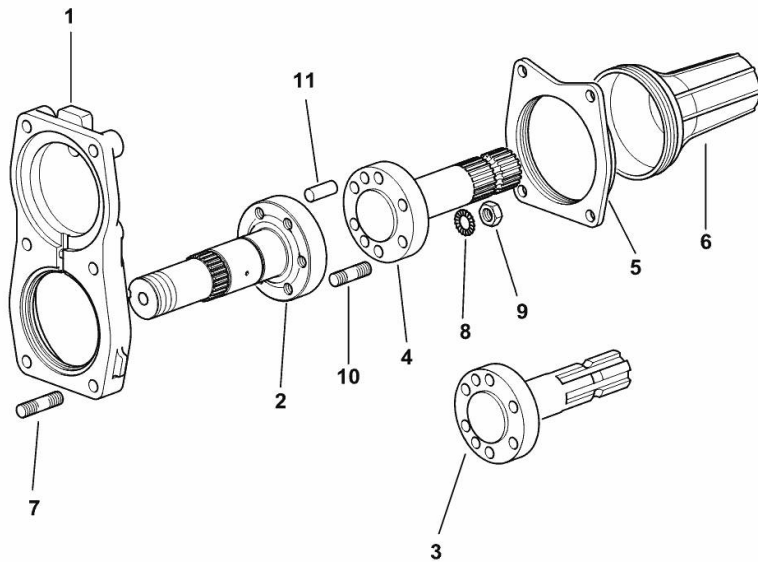
P.T.O. - WITH INSERTED END SHAFTS

Fig.	P/n	QTY	Name
------	-----	-----	------

Notes:

- FOR TYPES WITH 2/4 SPEED PTO [XM.K 100 T4i -> ZKDY390200TH10001]

1	0.009.6901.0/20	1	cover
2	0.007.3474.0/20	1	power take-off shaft
3	0.167.3660.0/30	1	power take-off shaft 1" 3/8, Z = 6
4	0.163.3671.0/40	1	power take-off shaft 1" 3/8, Z = 21
5	0.445.3151.0/10	1	flange
6	0.008.0757.0	1	guard
7	2.0432.161.7	6	stud bolt m 10 p.1.5 / p.1.25 x 40
8	2.1470.006.2	6	lock washer 10
9	2.1011.421.2	6	nut m 10 p.1.25
10	2.0432.155.7	6	stud bolt m 10 p.1.5 / p. 1.25 x 25
11	2.1651.811.0	2	cylindrical plug 10x24



9_B8636_10_0-A-001

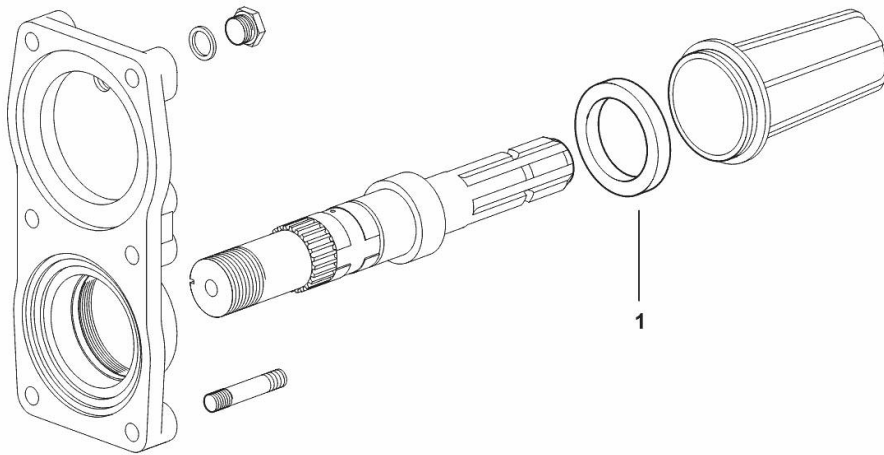
PTO - PARTS SET WITH STANDARD SEALS

Fig.	P/n	QTY	Name
------	-----	-----	------

Notes:

- FOR TYPES WITH 2/4 SPEED PTO [XM.K 100 T4i -> ZKDY390200TH10001]

1	2.1529.079.0	1	special oil seal 50 x 68 x 10
---	--------------	---	-------------------------------



9_S6836_01_0-A-001

PTO - PARTS SET WITH WATER PROOF SEALS

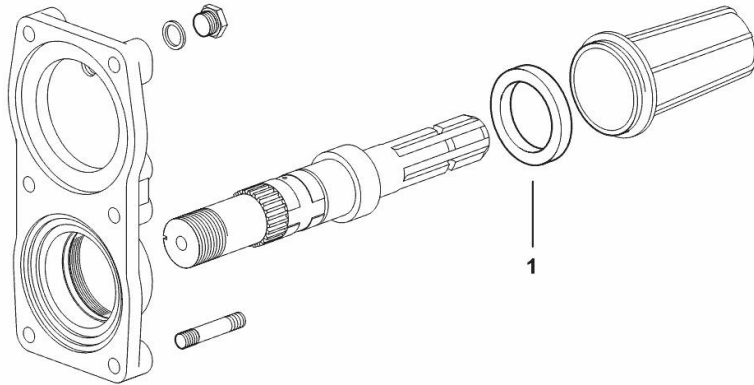
Fig.	P/n	QTY	Name
------	-----	-----	------

Notes:

- FOR TYPES WITH 2/4 SPEED PTO [XM.K 100 T4i -> ZKDY390200TH10001]

1	2.1529.101.0	1	special oil seal 50x68x12.5
---	--------------	---	-----------------------------

9_S6836_02_0-A-001



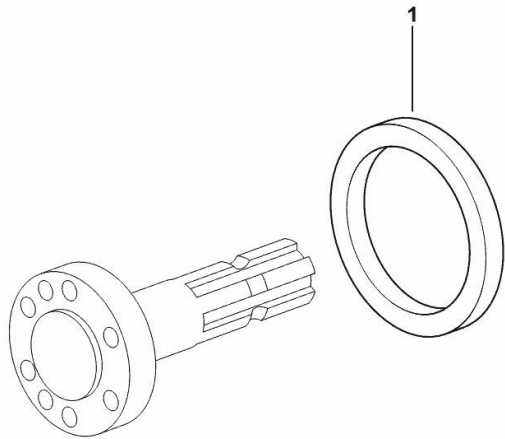
PTO - SEAL RING FOR INSERTED END SHAFT - STANDARD VERSION

Fig.	P/n	QTY	Name
------	-----	-----	------

Notes:

[XM.K 100 T4i -> ZKDY390200TH10001]

1	2.1520.043.0	1	oil seal 85 x 110 x 12
---	--------------	---	------------------------



9_52636_03_0-A-001

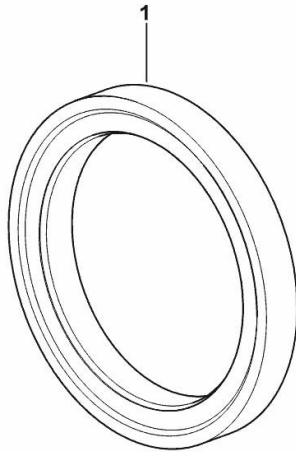
WATERPROOF OIL SEAL FOR PTO WITH REMOVABLE OUTPUT SHAFTS

Fig.	P/n	QTY	Name
------	-----	-----	------

Notes:

[XM.K 100 T4i -> ZKDY390200TH10001]

1	2.1529.183.0	1	special oil seal
---	--------------	---	------------------



9_Y8136_04_0-A-001

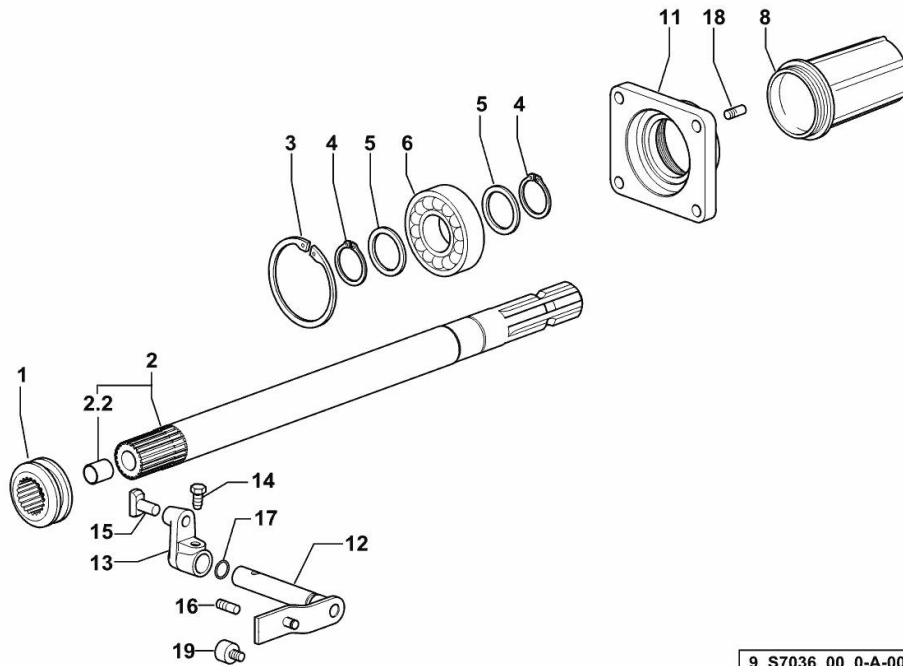
P.T.O. - SYNCHRONIZED

Fig.	P/n	QTY	Name
------	-----	-----	------

Notes:

[XM.K 100 T4i -> ZKDY390200TH10001]

1	0.255.3469.0	1	sleeve
2	0.255.3471.3/30	1	reduction unit shaft
2.2	2.1559.023.0/10	1	special bushing 15.8x19x20
3	2.1411.032.1	1	circlip 80
4	2.1410.014.1	2	circlip 35
5	2.1599.874.0	2	washer 35 x 45 x 3.0
6	2.2060.011.0	1	ball bearing 35 x 80 x 21
8	0.154.3655.0/10	1	guard
11	0.255.3150.0/20	1	cover
12	0.255.3468.2/20	1	lever
13	0.255.3470.0	1	lever
14	2.0399.019.1	1	screw m 8 p.1 x 16
15	0.001.5945.0/10	1	shoe
16	2.0439.002.1	1	stud bolt m 8 p.1.25 x 20
17	2.1530.033.0	1	oil seal 13.10x2.62
18	2.0432.155.7	4	stud bolt m 10 p.1.5 / p. 1.25 x 25
19	2.0239.003.2	1	screw



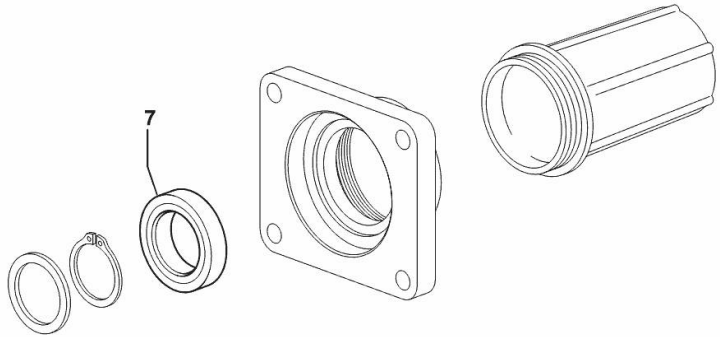
P.T.O. - SYNCHRONIZED - WITH STANDARD SEALS

Fig.	P/n	QTY	Name
------	-----	-----	------

Notes:

[XM.K 100 T4i -> ZKDY390200TH10001]

7	2.1520.017.0	1	oil seal 35x55x11
---	--------------	---	-------------------



9_52636_04_0-A-001

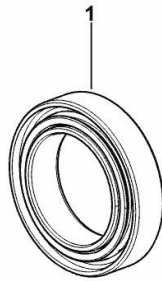
WATERPROOF OIL SEAL FOR GROUND SPEED PTO

Fig.	P/n	QTY	Name
------	-----	-----	------

Notes:

[XM.K 100 T4i -> ZKDY390200TH10001]

1	2.1529.107.0	1	special oil seal 35x55x12.5
---	--------------	---	-----------------------------



9_Y8136_05_0-A-001

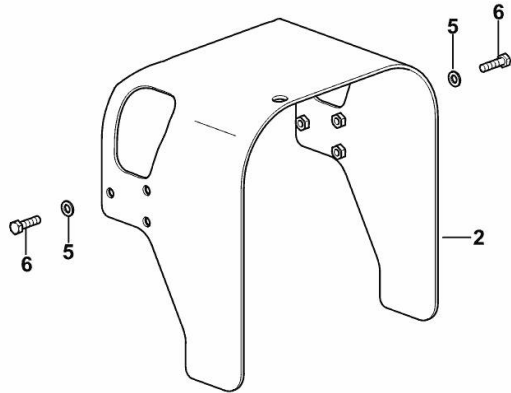
GUARD PLATE

Fig.	P/n	QTY	Name
------	-----	-----	------

Notes:

[XM.K 100 T4i -> ZKDY390200TH10001]

2	0.019.5731.3/10	1	guard
5	2.1475.102.2	6	washer 8.4 x 16
6	2.0112.211.2	6	screw m 8 p.1.25 x 30



9_W7331_30_0-B-001



Suggest:

For more complete manuals. Please go to the home page.

<https://www.ebooklibonline.com>

If the above button click is invalid. Please download this document first, and then click the above link to download the complete manual.

Thank you so much for reading

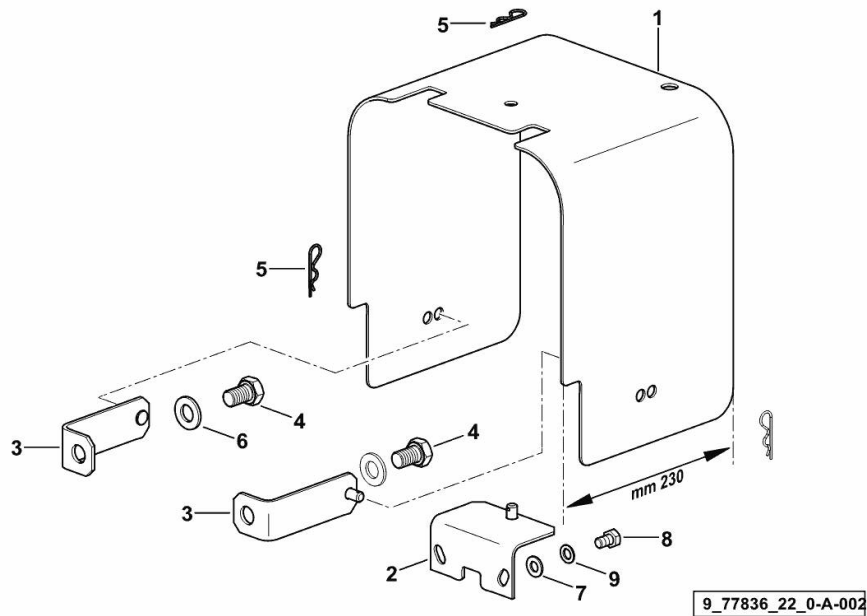
P.T.O. SHAFT PROTECTOR REAR

Fig.	P/n	QTY	Name
------	-----	-----	------

Notes:

[XM.K 100 T4i -> ZKDY390200TH10001]

1	0.445.3650.0/70	1	small guard
2	0.255.3668.2/30	1	square
3	0.255.3669.2/10	2	square
4	2.0112.609.2	2	screw m 16 p.2 x 25
5	2.1699.180.2	3	pin
6	2.1475.006.2	2	spring washer 16
7	2.1310.006.2	2	flat washer 10.5x21
8	2.0112.305.2	2	screw m 10 p.1.5 x 16
9	2.1470.006.2	2	lock washer 10

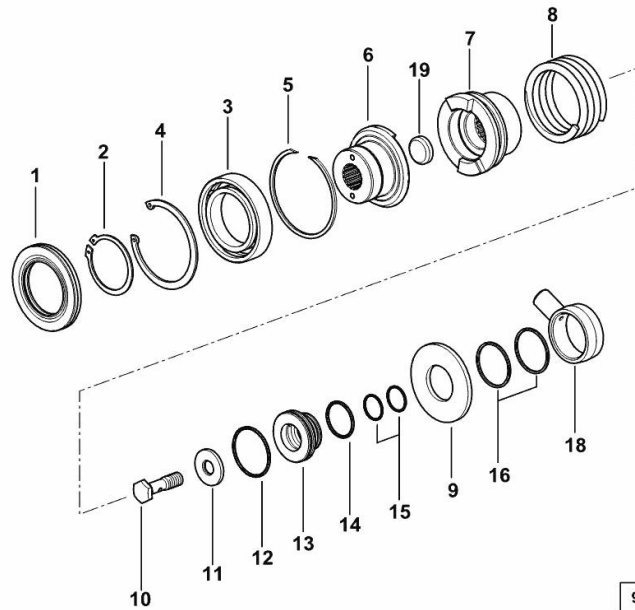


4WD - ELECTROHYDRAULIC ENGAGEMENT CONTROL

Fig.	P/n	QTY	Name
------	-----	-----	------

Notes:

[XM.K 100 T4i -> ZKDY390200TH10001]



9_H1438_00_0-A-002

1	0.008.4624.0	1	special oil seal 60x95x10
2	2.1410.024.1	1	circlip Ø 60 mm
3	2.2030.013.0	1	ball bearing 60x95x18
4	2.1411.038.1	1	circlip 95
5	2.1429.072.0	1	shoulder ring
6	0.013.9291.0/10	1	sleeve
7	0.013.9292.0	1	sleeve
8	2.4019.785.1/20	1	spring
9	2.1599.888.0/10	1	slewing ring 40x87x5.5
10	2.0399.306.0	1	screw
11	2.1499.226.0	1	washer 15x40x4
12	2.1530.125.0	1	oil seal 50.47x2.62
13	0.013.9295.0	1	ring
14	2.1530.095.0	1	oil seal 36.14x2.62
15	2.1531.066.0	2	oil seal 25.07x2.62
16	2.1569.109.0/10	2	gasket 46 x 50 x 2.0
18	0.008.4309.0/10	1	manifold
19	2.3171.012.4	1	plug Ø 30

<https://www.ebooklibonline.com>

Hello dear friend!

Thank you very much for reading.

Enter the link into your browser.

The full manual is available for immediate download.

<https://www.ebooklibonline.com>