

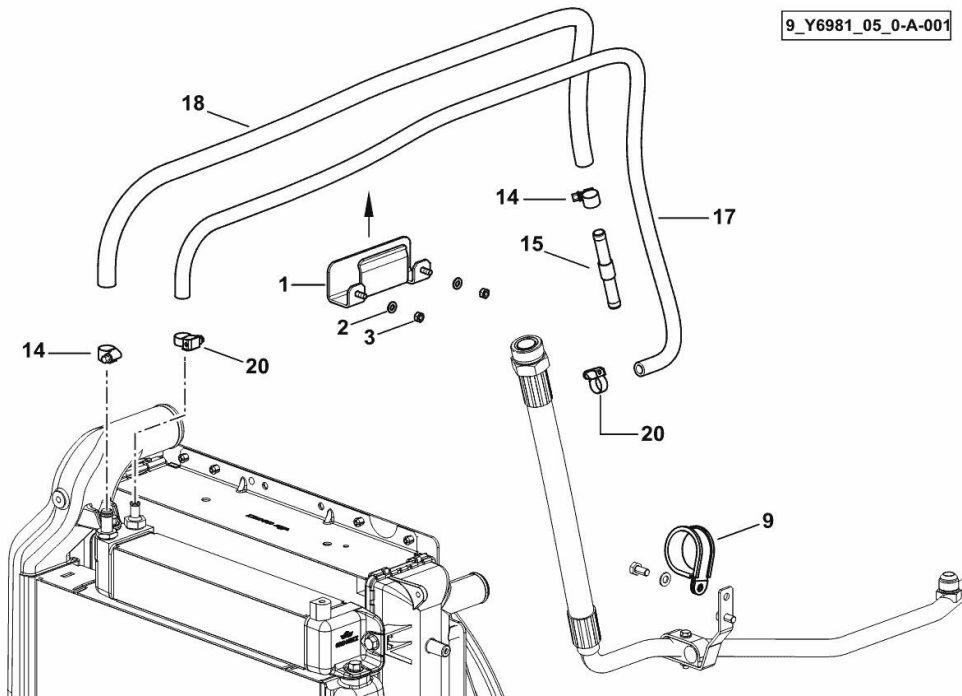
**FUEL COOLER PIPES**

| Fig. | P/n | QTY | Name |
|------|-----|-----|------|
|------|-----|-----|------|

**Notes:**

[XM.K 90 T4i -> ZKDY350200TH10001]

|    |              |      |                      |
|----|--------------|------|----------------------|
| 1  | 0.019.1931.3 | 1    | channel              |
| 2  | 2.1310.002.2 | 2    | flat washer 6.4x12.5 |
| 3  | 2.1011.103.2 | 2    | nut m 6 p.1          |
| 9  | 2.6839.073.2 | 1    | clamp 45             |
| 14 | 2.6851.001.0 | 2    | clamp Ø 16/25        |
| 15 | 0.015.8420.0 | 1    | pipe fitting         |
| 17 | 0.012.6449.0 | 1.32 | tube                 |
| 18 | 0.012.6450.0 | 1.2  | tube Ø mm 13/20      |
| 20 | 2.6851.019.0 | 2    | clamp Ø 13/20        |



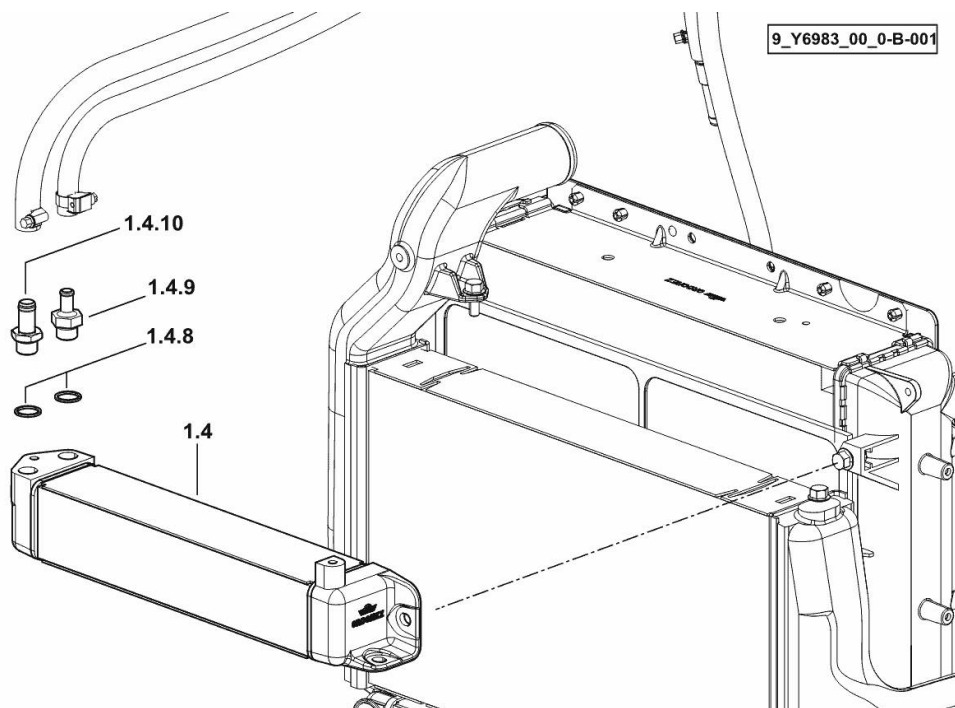
**FUEL COOLER**

| Fig. | P/n | QTY | Name |
|------|-----|-----|------|
|------|-----|-----|------|

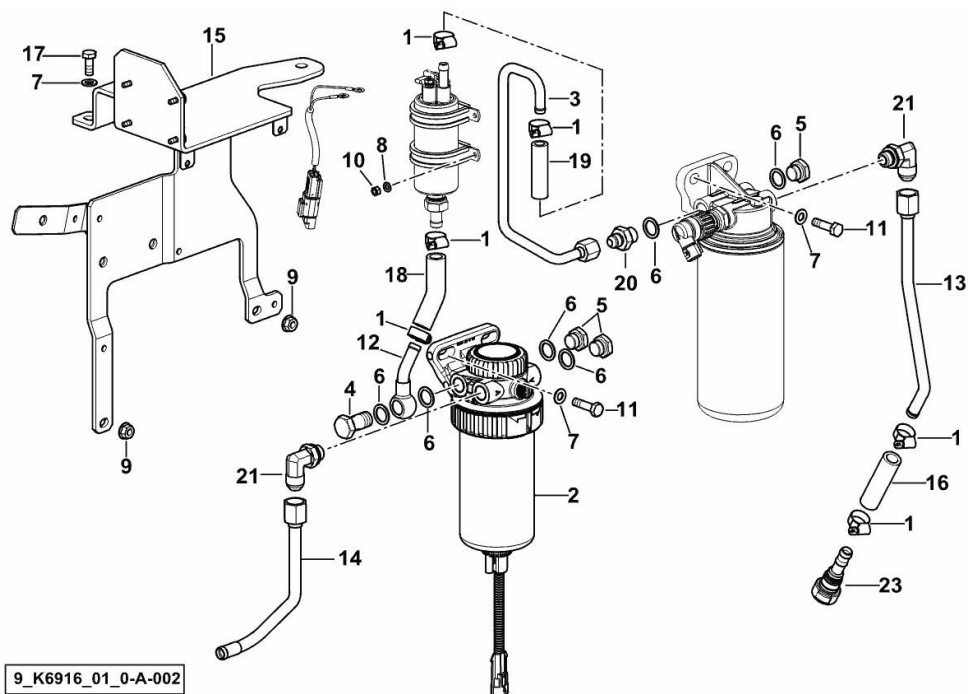
**Notes:**

[XM.K 90 T4i -> ZKDY350200TH10001]

|        |                 |   |                       |
|--------|-----------------|---|-----------------------|
| 1.4    | 0.018.9384.3    | 1 | radiator              |
| 1.4.8  | 2.1560.053.0    | 2 | gasket 17 x 21        |
| 1.4.9  | 2.3249.373.0    | 1 | pipe fitting 3/8"     |
| 1.4.10 | 2.3249.085.2/10 | 1 | pipe fitting 3/8" gas |



**FUEL PRELIMINARY FILTER**



9\_K6916\_01\_0-A-002

| Fig. | P/n | QTY | Name |
|------|-----|-----|------|
|------|-----|-----|------|

**Notes:**

[XM.K 90 T4i -> ZKDY350200TH10001]

|    |                 |      |                                 |
|----|-----------------|------|---------------------------------|
| 1  | 2.6851.019.0    | 6    | clamp Ø 13/20                   |
| 2  | 2.4319.316.0/10 | 1    | precleaner<br>☞ 2.4319.316.0/10 |
| 3  | 0.020.7099.3    | 1    | tube                            |
| 4  | 2.3332.005.2    | 1    | pipe fitting m 16 p.1.5         |
| 5  | 2.3110.404.2    | 3    | plug m 16 p.1.5                 |
| 6  | 2.1560.012.0    | 6    | gasket 16.2 x 22                |
| 7  | 2.1310.004.2    | 5    | flat washer 8.4x17              |
| 8  | 2.1310.001.2    | 4    | flat washer 5.3 x 10            |
| 9  | 2.1071.004.2    | 2    | special nut m 8                 |
| 10 | 2.1011.102.2    | 4    | nut m 5 p.0.7                   |
| 11 | 2.0112.211.2    | 4    | screw m 8 p.1.25 x 30           |
| 12 | 0.019.1475.3/10 | 1    | tube                            |
| 13 | 0.021.2676.3    | 1    | tube                            |
| 14 | 0.020.6903.3    | 1    | tube                            |
| 15 | 0.019.0960.3/10 | 1    | bracket                         |
| 16 | 0.012.6450.0    | 0.07 | tube Ø mm 13/20                 |
| 17 | 2.0112.207.2    | 1    | screw m 8 p 1.25 x 20           |
| 18 | 0.012.6450.0    | 0.08 | tube Ø mm 13/20                 |
| 19 | 0.012.6449.0    | 0.06 | tube                            |
| 20 | 2.3261.007.2    | 1    | pipe fitting m 16 p.1.5-9/16"   |
| 21 | 2.3264.011.2    | 2    | pipe fitting                    |
| 23 | 0.021.3780.0    | 1    | connection                      |

**<https://www.ebooklibonline.com>**

Hello dear friend!

Thank you very much for reading.

Enter the link into your browser.

The full manual is available for immediate download.

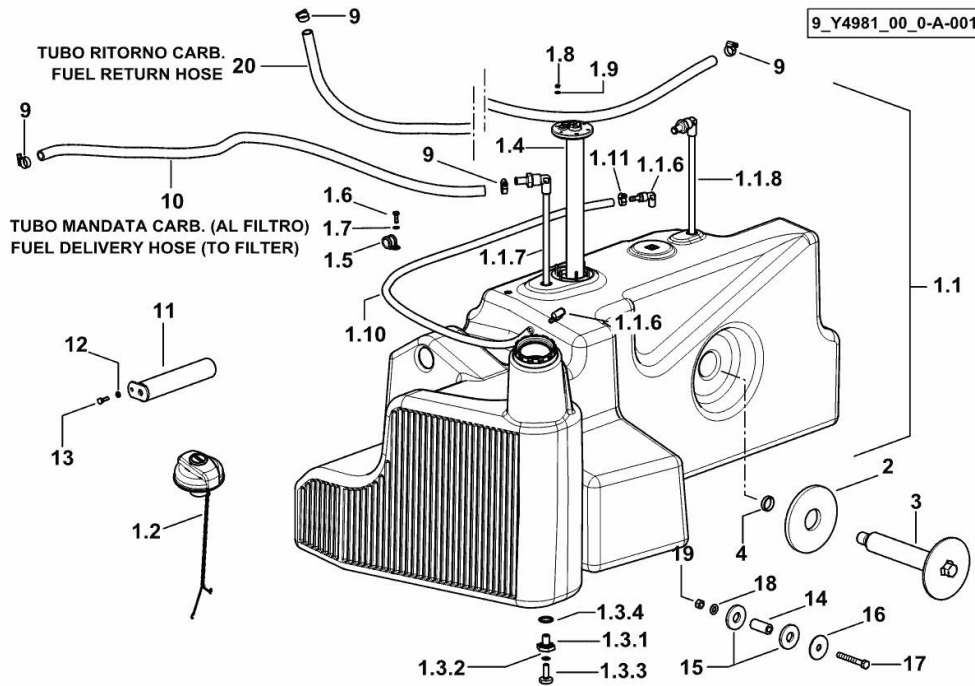
**<https://www.ebooklibonline.com>**

**FUEL TANK**

| Fig. | P/n | QTY | Name |
|------|-----|-----|------|
|------|-----|-----|------|

**Notes:**

[XM.K 90 T4i -> ZKDY350200TH10001]



|       |                 |      |                               |
|-------|-----------------|------|-------------------------------|
| 1.1   | 0.020.6477.3    | 1    | fuel tank                     |
| 1.1.6 | 0.010.0749.0    | 2    | breather                      |
| 1.1.7 | 0.020.7023.3    | 1    | tube                          |
| 1.1.8 | 0.016.3795.3    | 1    | tube                          |
| 1.2   | 0.019.9407.4    | 1    | plug                          |
| 1.3.1 | 0.016.9607.0    | 1    | plug m10                      |
| 1.3.2 | 2.1560.006.0    | 1    | gasket 10.2 x 16              |
| 1.3.3 | 0.016.9605.0    | 1    | plug m14                      |
| 1.3.4 | 2.1539.040.0    | 1    | special oil seal 21.82 x 3.53 |
| 1.4   | 2.7059.014.0    | 1    | level indicator               |
| 1.5   | 2.6839.066.0/10 | 1    | clamp 16                      |
| 1.6   | 2.0112.006.2    | 1    | screw m 6 p.1 x 18            |
| 1.7   | 2.1470.002.2    | 1    | lock washer 6                 |
| 1.8   | 2.1011.101.2    | 6    | nut                           |
| 1.9   | 2.1310.028.2    | 6    | flat washer                   |
| 1.10  | 0.012.6451.0    | 1.14 | tube Ø mm 8/15                |
| 1.11  | 2.6851.018.0    | 2    | clamp Ø11/17                  |
| 2     | 0.010.6927.0/10 | 1    | shim                          |
| 3     | 0.014.3176.2/10 | 1    | pin                           |
| 4     | 2.1549.334.2    | 1    | spacer 26x30x8                |
| 9     | 2.6851.019.0    | 4    | clamp Ø 13/20                 |
| 10    | 0.012.6450.0    | 1.08 | tube Ø mm 13/20<br>- DELIVERY |
| 11    | 0.014.8587.2    | 1    | pin                           |
| 12    | 2.1470.002.2    | 1    | lock washer 6                 |
| 13    | 2.0112.007.2    | 1    | screw m 6 p.1 x 20            |
| 14    | 2.1549.328.2    | 1    | spacer 10.5x20x45             |
| 15    | 2.1569.161.0    | 2    | gasket 20x50x6                |
| 16    | 2.1599.354.2    | 1    | washer 12.5x50x3              |
| 17    | 2.0112.324.2    | 1    | screw m 10 p.1.5x75           |
| 18    | 2.1310.006.2    | 1    | flat washer 10.5x21           |
| 19    | 2.1011.106.2    | 1    | nut m 10 p.1.5                |
| 20    | 0.012.6450.0    | 1.55 | tube Ø mm 13/20<br>- RETURN   |

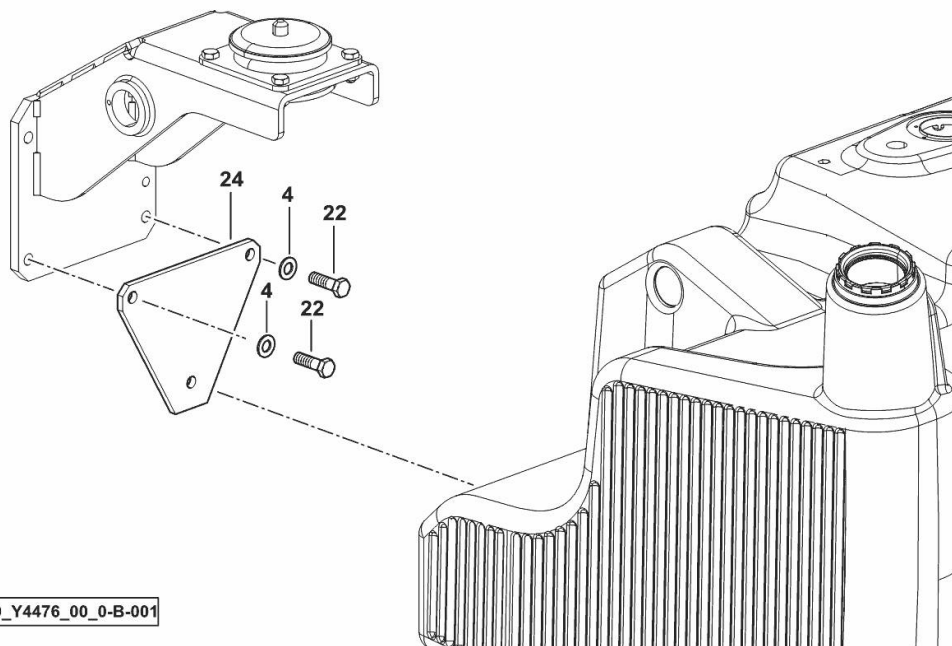
**FUEL TANK SUPPORT**

| Fig. | P/n | QTY | Name |
|------|-----|-----|------|
|------|-----|-----|------|

**Notes:**

[XM.K 90 T4i -> ZKDY350200TH10001]

|    |              |    |                        |
|----|--------------|----|------------------------|
| 4  | 2.1475.004.2 | 16 | spring washer 12       |
| 22 | 2.0113.415.2 | 2  | screw m 12 p.1.75 x 40 |
| 24 | 0.020.6919.0 | 1  | bracket                |



9\_Y4476\_00\_0-B-001

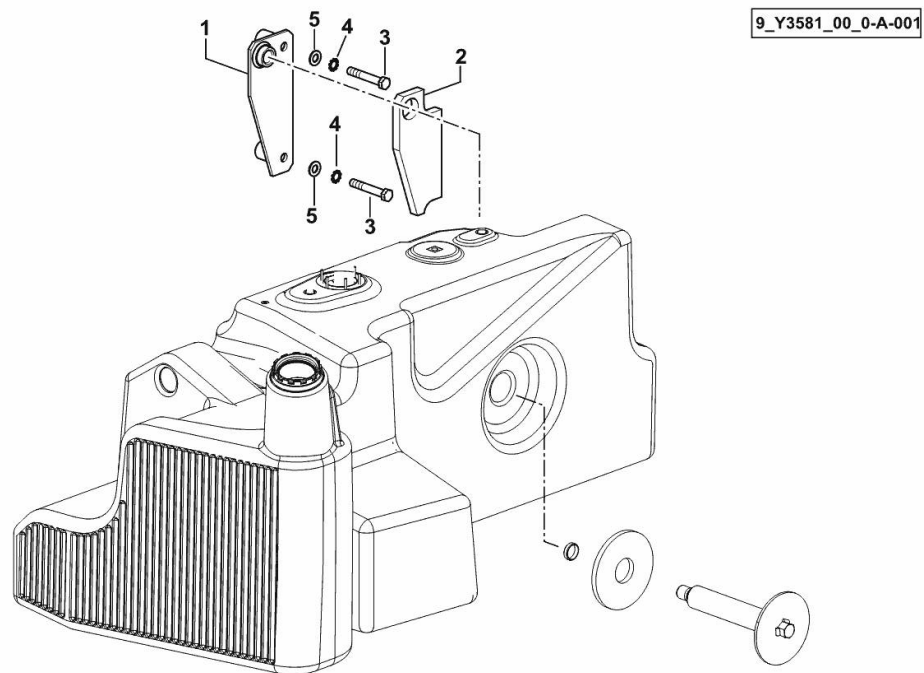
**FUEL TANK FIXING PARTS**

| Fig. | P/n | QTY | Name |
|------|-----|-----|------|
|------|-----|-----|------|

**Notes:**

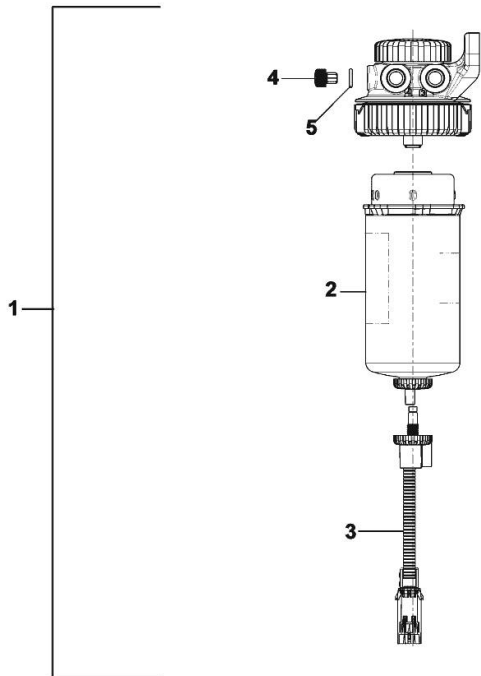
[XM.K 90 T4i -> ZKDY350200TH10001]

|   |                 |   |                      |
|---|-----------------|---|----------------------|
| 1 | 0.020.7139.2/10 | 1 | tank support         |
| 2 | 0.020.7154.2    | 1 | shim                 |
| 3 | 2.0112.424.2    | 2 | screw m 12 p.1.75x75 |
| 4 | 2.1470.007.2    | 2 | lock washer 12       |
| 5 | 2.1310.007.2    | 2 | flat washer 13 x 24  |



**PREFILTER**

| Fig. | P/n             | QTY | Name                  |
|------|-----------------|-----|-----------------------|
| 1    | 2.4319.316.0/10 | 1   | precleaner            |
| 2    | 0.900.2043.4    | 1   | filter                |
| 3    | 0.900.2261.4    | 1   | clogging warning ind. |
| 4    | 0.900.0864.3    | 1   | screw                 |
| 5    | 0.900.0789.8    | 1   | ring                  |



2.4319.316.0\_10

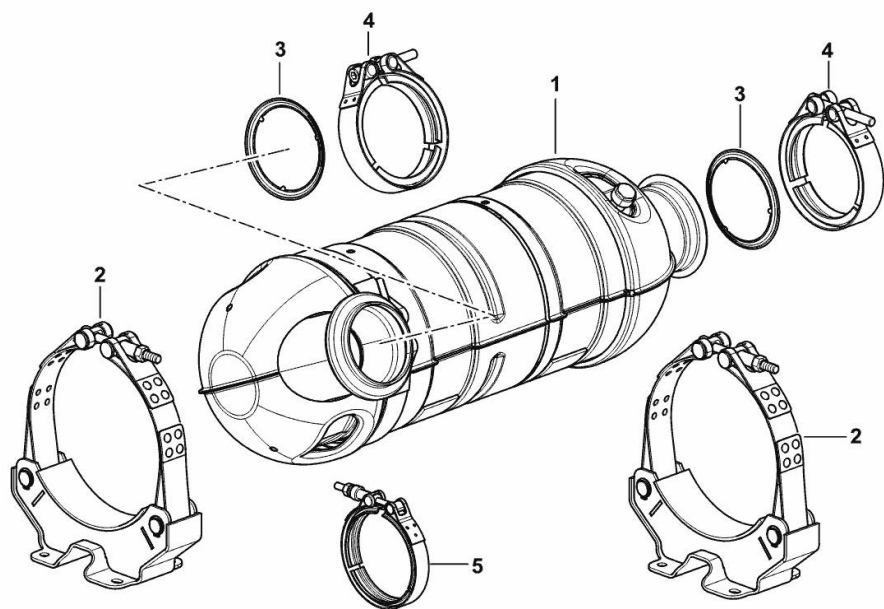
**EXHAUST SYSTEM**

| Fig. | P/n | QTY | Name |
|------|-----|-----|------|
|------|-----|-----|------|

**Notes:**

[XM.K 90 T4i -> ZKDY350200TH10001]

|   |          |   |          |
|---|----------|---|----------|
| 1 | 01980210 | 1 | silencer |
| 2 | 04603276 | 2 | fascia   |
| 3 | 04600004 | 2 | gasket   |
| 4 | 04603585 | 2 | clamp    |
| 5 | 04602018 | 1 | gasket   |



9\_K7119\_10\_0-A-001

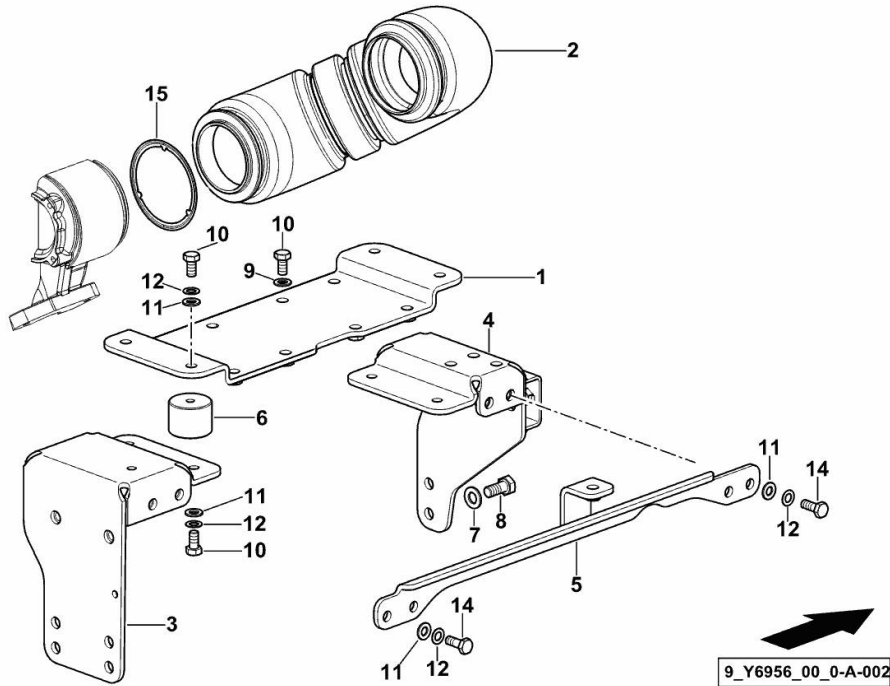
**EXHAUST SYSTEM**

| Fig. | P/n | QTY | Name |
|------|-----|-----|------|
|------|-----|-----|------|

**Notes:**

[XM.K 90 T4i -> ZKDY350200TH10001]

|    |                 |    |                       |
|----|-----------------|----|-----------------------|
| 1  | 0.019.9148.3/10 | 1  | plate                 |
| 2  | 0.018.9834.3/10 | 1  | tube                  |
| 3  | 0.019.9155.3/10 | 1  | bracket               |
| 4  | 0.019.9179.3/20 | 1  | bracket               |
| 5  | 0.019.9149.3/10 | 1  | bracket               |
| 6  | 0.021.1192.0    | 4  | spacer                |
| 7  | 2.1475.003.2    | 2  | washer 10             |
| 8  | 2.0112.308.2    | 2  | screw m 10 p.1.5x22   |
| 9  | 2.1475.002.2    | 8  | conical washer 8      |
| 10 | 2.0112.205.2    | 16 | screw m 8 p.1.25 x 16 |
| 11 | 2.1310.004.2    | 12 | flat washer 8.4x17    |
| 12 | 2.1470.004.2    | 12 | lock washer 8         |
| 14 | 2.0112.207.2    | 4  | screw m 8 p 1.25 x 20 |
| 15 | 0.019.7817.0    | 1  | gasket                |





**Suggest:**

**For more complete manuals. Please go to the home page.**

**<https://www.ebooklibonline.com>**

**If the above button click is invalid. Please download this document first, and then click the above link to download the complete manual.**

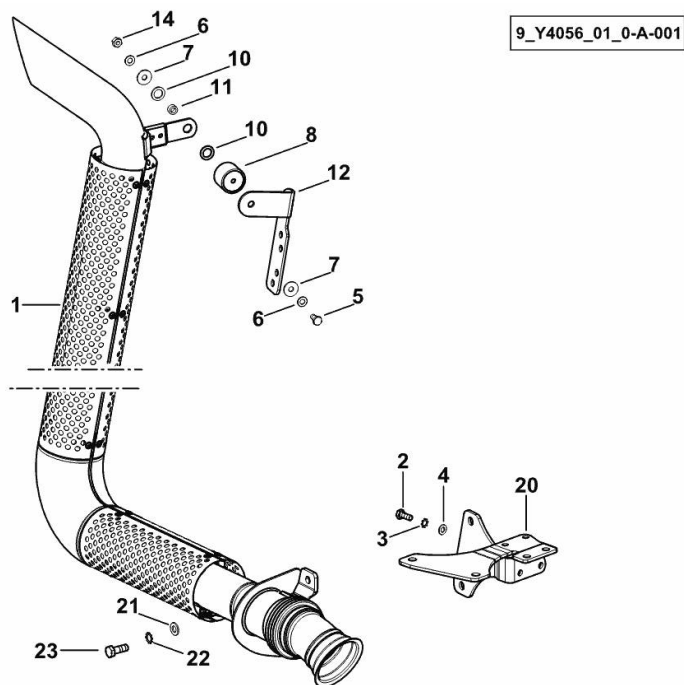
**Thank you so much for reading**

**EXHAUST PIPE**

| Fig. | P/n | QTY | Name |
|------|-----|-----|------|
|------|-----|-----|------|

**Notes:**

[XM.K 90 T4i -> ZKDY350200TH10001]



|    |                 |   |                       |
|----|-----------------|---|-----------------------|
| 1  | 0.020.5482.4    | 1 | exhaust pipe          |
| 2  | 2.0112.207.2    | 2 | screw m 8 p 1.25 x 20 |
| 3  | 2.1470.004.2    | 2 | lock washer 8         |
| 4  | 2.1310.004.2    | 2 | flat washer 8.4x17    |
| 5  | 2.0112.205.2    | 1 | screw m 8 p.1.25 x 16 |
| 6  | 2.1475.002.2    | 2 | conical washer 8      |
| 7  | 2.1312.004.2    | 2 | washer 8x24x2         |
| 8  | 0.010.1054.2/10 | 1 | support               |
| 10 | 2.1549.169.0    | 2 | spacer 14.5x22x2      |
| 11 | 2.1579.994.2    | 1 | spacer 8.5x14x7       |
| 12 | 0.020.6701.0    | 1 | bracket               |
| 14 | 2.1011.105.2    | 1 | nut m 8 p.1.25        |
| 20 | 0.019.9300.3    | 1 | bracket               |
| 21 | 2.1310.006.2    | 2 | flat washer 10.5x21   |
| 22 | 2.1470.006.2    | 2 | lock washer 10        |
| 23 | 2.0112.310.2    | 2 | screw m 10 p.1.5x28   |

**HALTER**

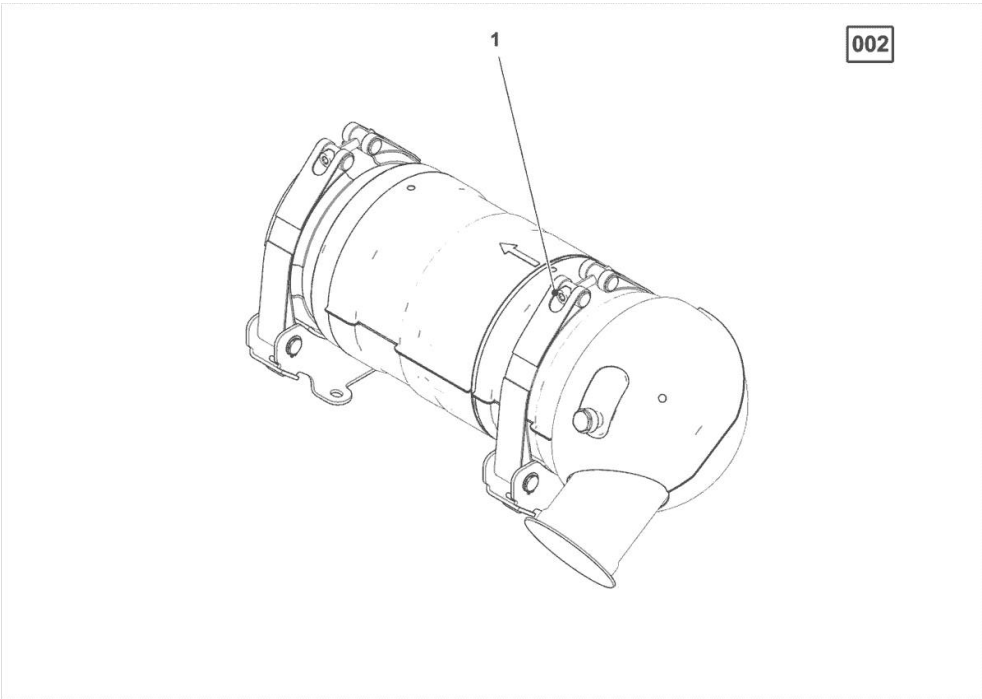
| Fig. | P/n | QTY | Name |
|------|-----|-----|------|
|------|-----|-----|------|

**Notes:**

[XM.K 90 T4i -> ZKDY350200TH10001]

**Engine serial number:**

11480888 11480889 11480890 11551343 11551344 11551345 11551346 11551347 11551348 11551349 11551350  
 11551351 11551352 11551353 11551354 11551355 11551356 11551357 11551358 11551359 11551360 11551361  
 11551362 11551363 11551364 11551365 11551366 11551367 11551368 11551369 11551370 11551371 11551372  
 11571793 11571794 11571795 11581816 11581817 11583386 11583387 11583388 11583389 11583390 11583391  
 11583392 11583393 11583394 11583395 11583396 11583397 11583398 11583399 11583400 11583401 11583402  
 11583403 11583404 11583405 11583406 11583407 11583408 11583409 11583410 11583411 11583412 11583413  
 11583414 11583415 11588293 11588294 11588295 11588296 11589499 11589500 11589501 11589502 11595187  
 11601234 11601235 11601236 11601237 11601238 11601239 11601240 11601241 11601242 11601243 11601244  
 11601245 11601246 11601247 11601248 11601249 11601250 11601251 11601252 11601253 11601254 11601255  
 11601256 11601257 11601258 11601259 11601260 11601261 11601262 11601263



|   |          |   |                 |
|---|----------|---|-----------------|
| 1 | 04603276 | 2 | fascia<br>18 Nm |
|---|----------|---|-----------------|

**<https://www.ebooklibonline.com>**

Hello dear friend!

Thank you very much for reading.

Enter the link into your browser.

The full manual is available for immediate download.

**<https://www.ebooklibonline.com>**