

STEERING COLUMN

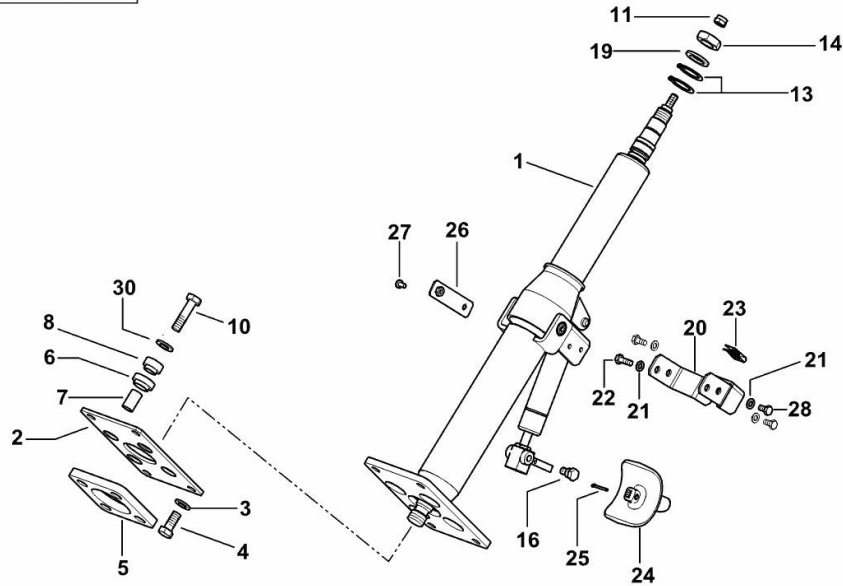
Fig.	P/n	QTY	Name
------	-----	-----	------

Notes:

[XM 130 T4i HI-LEVEL]

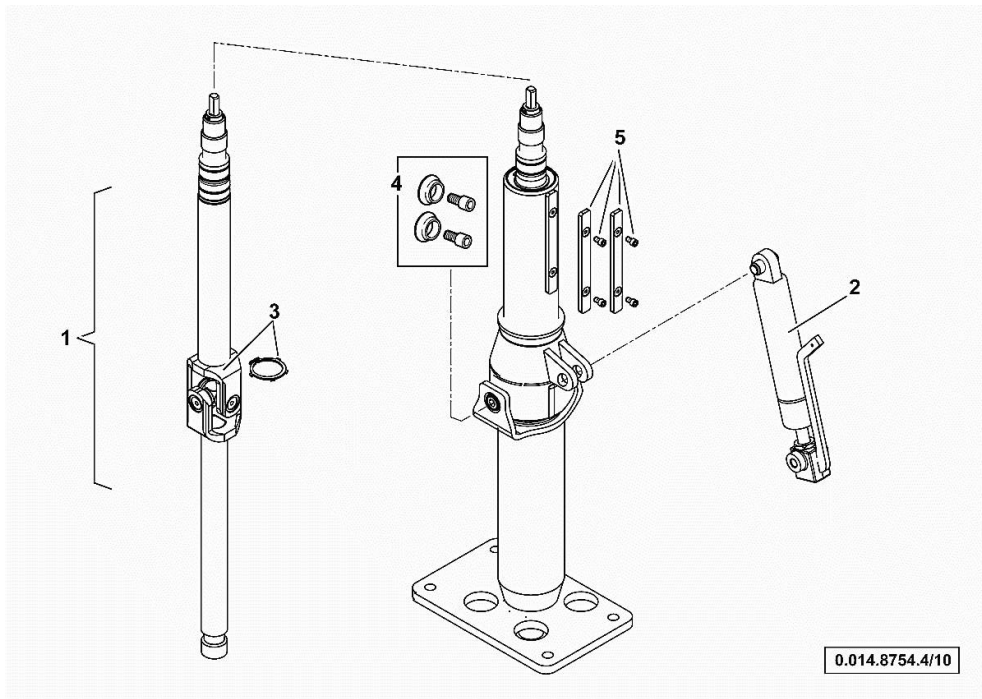
1	0.014.8754.4/10	1	steering column ☞ 0.014.8754.4/10
2	0.010.7445.0/10	1	plate
3	2.1310.006.2	4	flat washer 10.5x21
4	2.0114.307.2	4	screw m 10 x 20, d933
5	04355546	1	plate
6	04355695	4	spacer
7	04386557	4	spacer
8	0.018.1722.0	4	spacer
10	2.0114.315.2	4	screw m 10 p.1.5 x 40
11	2.1120.105.2	1	self-locking nut m 8 p.1.25
13	2.1410.010.7	2	circlip 25
14	2.1011.510.2	1	nut m 18 p.1.5
16	2.0119.243.2/10	2	screw m 8 p1.25x16
19	2.1470.010.2	1	lock washer 18
20	0.013.2548.0/20	1	bracket
21	2.1475.201.2	4	washer 6.4x12
22	2.0112.005.2	1	screw m 6 p.1 x 16
23	2.6999.035.0	1	clip
24	0.013.2547.0/10	1	lever
25	2.1690.408.2	1	split pin 4 x 20
26	0.014.3119.3	1	plate
27	2.0330.302.2	1	screw m 5x8
28	2.0112.003.2	3	screw m 6 p.1 x 12
30	2.1399.039.2/10	4	washer 10 x 25 x 2,5

9_Y6963_00_0-A-001



STEERING COLUMN

Fig.	P/n	QTY	Name
1	0.014.8754.4/10	1	steering column
2	0.900.0305.8	1	spring
3	0.900.0454.6	1	shaft
4	0.900.0063.7	1	pin
5	0.010.3701.0	1	stick



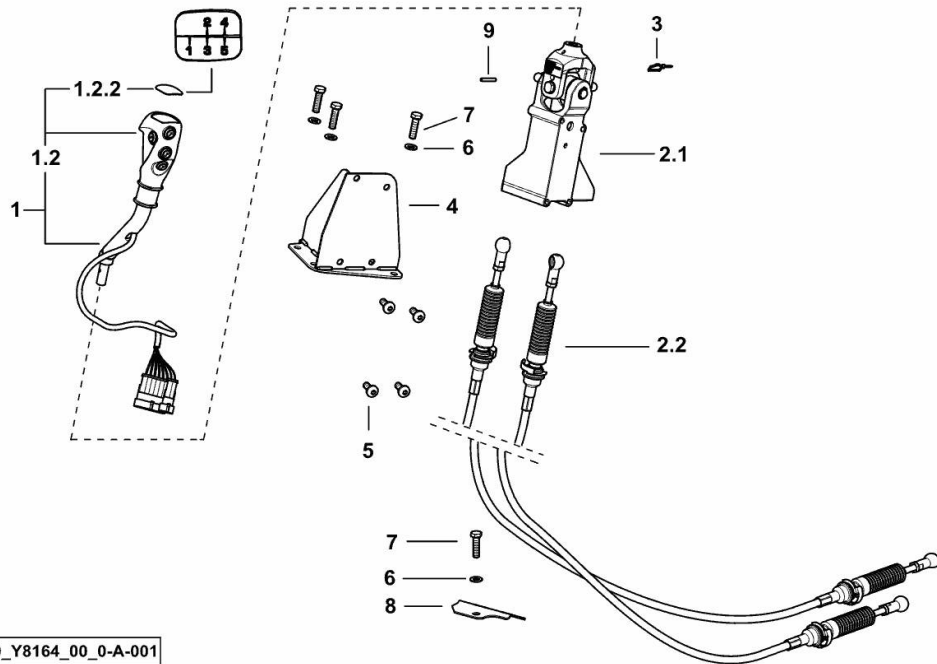
GEARSHIFT LEVER

Fig.	P/n	QTY	Name
------	-----	-----	------

Notes:

[XM 130 T4i HI-LEVEL]

1	0.019.1107.4/10	1	lever ☞ 0.019.1107.4/10
1.2	0.019.7635.3	1	knob - WITHOUT PUSHBUTTONS
1.2.2	0.019.8900.2	1	cap
2.1	0.018.4985.4	1	control ☞ 0.018.4985.4
2.2	0.019.8673.4	2	rod
3	2.6852.001.0	1	clamp 99 x 2.5
4	0.019.8756.2/10	1	bracket
5	2.0330.507.2	4	screw m 8 p.1.25 x 20
6	2.1310.004.2	5	flat washer 8.4x17
7	2.0112.211.2	5	screw m 8 p.1.25 x 30
8	0.019.1144.0	1	bracket
9	2.1630.450.2	1	pin 4x22



<https://www.ebooklibonline.com>

Hello dear friend!

Thank you very much for reading.

Enter the link into your browser.

The full manual is available for immediate download.

<https://www.ebooklibonline.com>

RANGE CONTROL

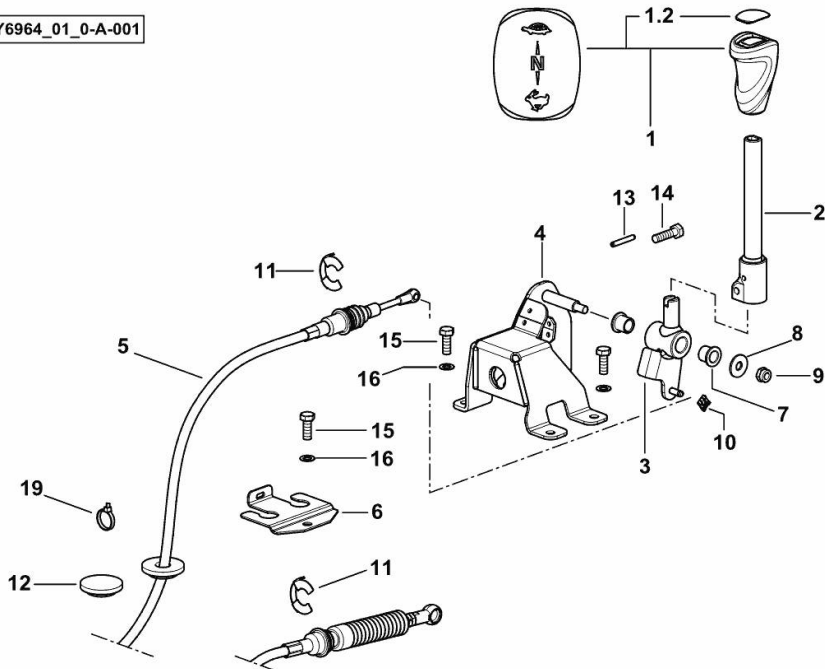
Fig.	P/n	QTY	Name
------	-----	-----	------

Notes:

- FOR MODELS WITH 2 RANGES [XM 130 T4i HI-LEVEL]

1	0.019.2023.3/20	1	knob
1.2	0.019.2024.3/10	1	cap
2	0.019.0376.3	1	gear lever
3	0.019.0367.3	1	hub
4	0.019.0361.2	1	bracket
5	0.019.0372.3/10	1	rod
6	0.019.0397.0/10	1	bracket
7	2.1559.243.0	2	special bushing 12x16x15
8	2.1312.004.2	1	washer 8x24x2
9	2.1120.105.2	1	self-locking nut m 8 p.1.25
10	01175725	1	clip 6, d128
11	04418159	2	circlip
12	0.013.1681.0	1	plug
13	2.1631.415.2	1	pin 5x32
14	2.0112.211.2	1	screw m 8 p.1.25 x 30
15	2.0112.208.2	5	screw m 8 p.1.25 x 22
16	2.1470.004.2	5	lock washer 8
19	2.6852.101.0	1	clamp 142x3.6

9_Y6964_01_0-A-001



RANGE CONTROL

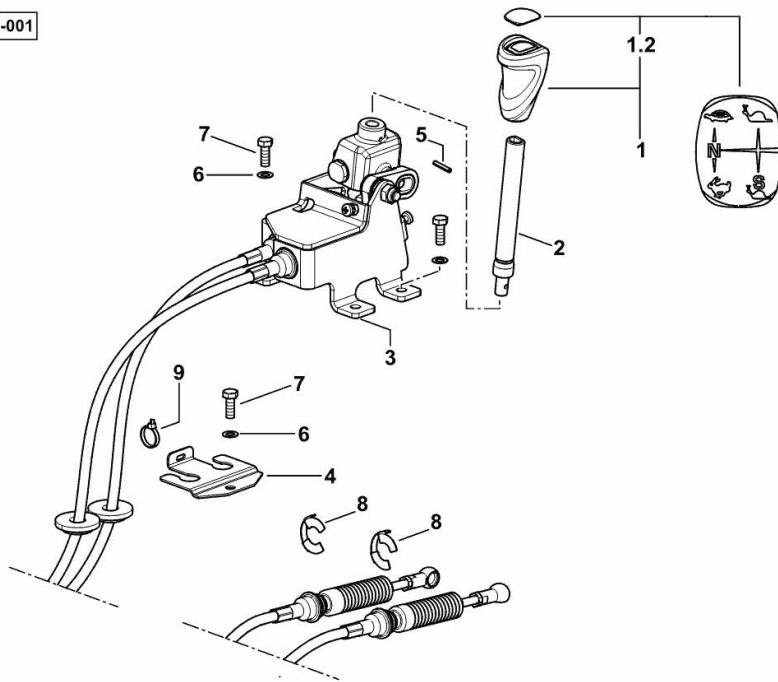
Fig.	P/n	QTY	Name
------	-----	-----	------

Notes:

- FOR MODELS WITH 4 RANGES [XM 130 T4i HI-LEVEL]

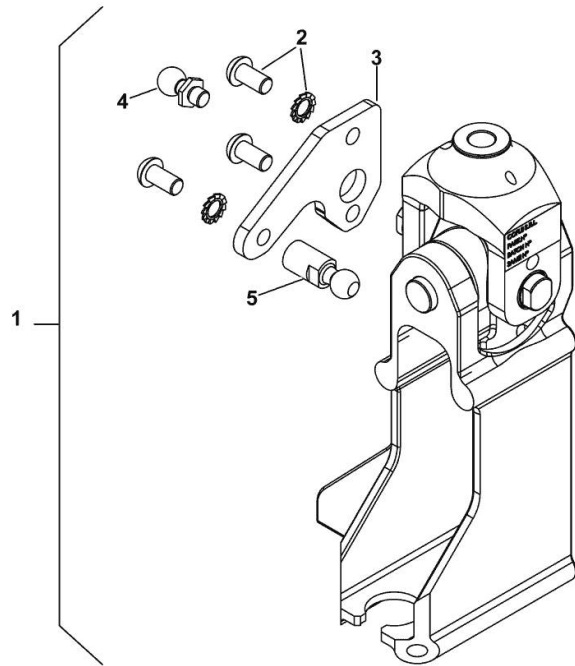
1	0.019.0170.3/20	1	knob
1.2	0.019.0171.3/10	1	cap
2	0.019.2530.2	1	lever
3	0.018.9163.4/20	1	control ☞ 0.018.9163.4/20
4	0.019.0397.0/10	1	bracket
5	2.1630.450.2	1	pin 4x22
6	2.1470.004.2	5	lock washer 8
7	2.0112.208.2	5	screw m 8 p.1.25 x 22
8	04418159	2	circlip
9	2.6852.101.0	1	clamp 142x3.6

9_Y6964_02_0-A-001



DRIVE FOR GEAR CHANGE BOX

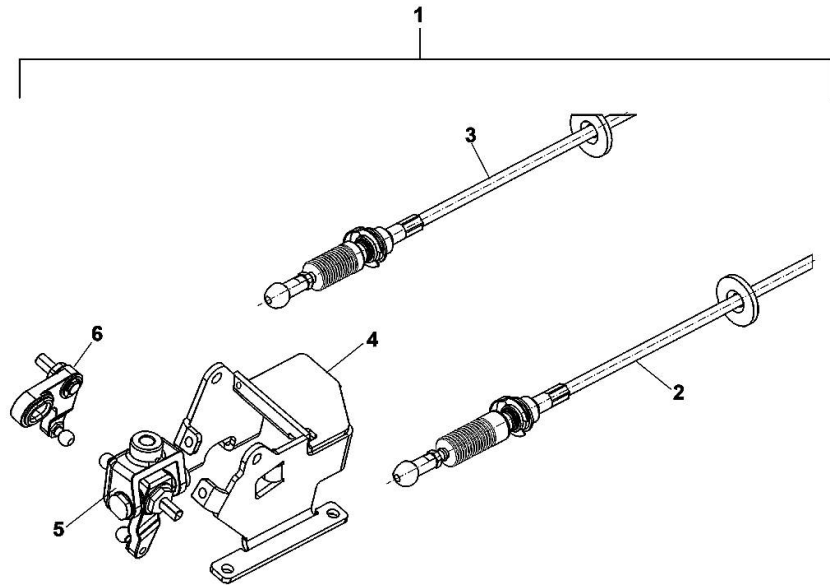
Fig.	P/n	QTY	Name
1	0.018.4985.4	1	control
2	0.000.0000.1		cannot be supplied
3	0.900.2126.2	1	bracket
4	0.900.2126.3	1	screw
5	0.900.2126.4	1	small pin



0.018.4985.4

DRIVE

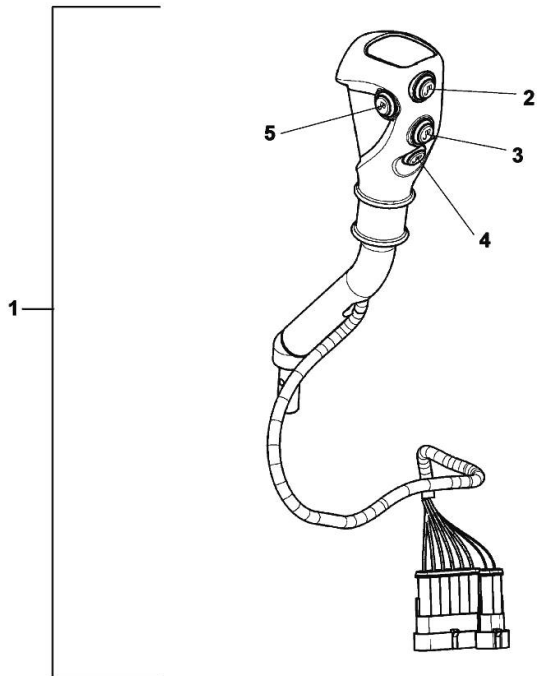
Fig.	P/n	QTY	Name
1	0.018.9163.4/20	1	control
2	0.900.2044.1	1	cable
3	0.900.2044.2	1	cable
4	0.900.2044.3	1	support
5	0.900.2037.6	1	control
6	0.900.2037.7	1	transmission



0.018.9163.4/20

GEARSHIFT LEVER

Fig.	P/n	QTY	Name
1	0.019.1107.4/10	1	lever
2	0.900.2274.8	1	button
3	0.900.2274.9	1	button
4	0.900.2275.0	1	button
5	0.900.2275.1	1	button



0.019.1107.4/10

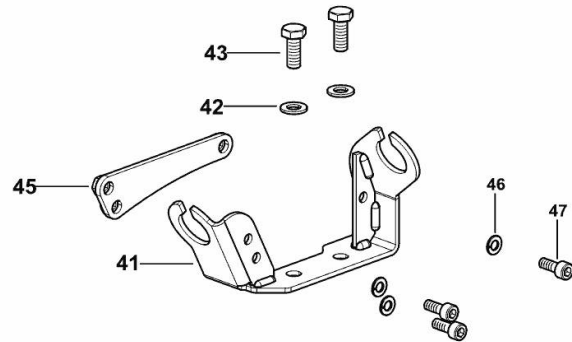
BOWDEN REACTION BRACKET FOR 2-SPEED P.T.O.

Fig.	P/n	QTY	Name
------	-----	-----	------

Notes:

[XM 130 T4i HI-LEVEL]

41	0.019.0264.2/20	1	bracket
42	2.1310.004.2	2	flat washer 8.4x17
43	2.0112.207.2	2	screw m 8 p 1.25 x 20
45	0.020.0012.2	1	small plate
46	2.1474.007.2	3	washer 6, d128
47	2.0312.104.2	3	screw m 6 p.1 x 16



9_Y8136_01_0-B-001

XM 130 T4i HI-LEVEL

Section: G0 - BODYWORK - CAB

Ref: G0.16.1 (1)

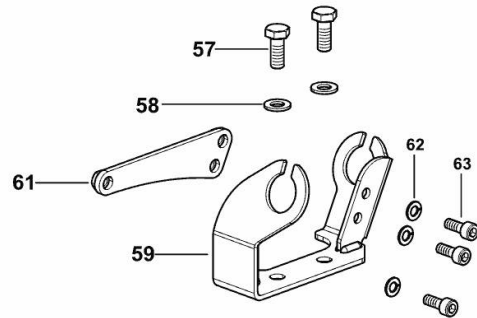
BOWDEN REACTION BRACKET FOR 4-SPEED P.T.O.

Fig.	P/n	QTY	Name
------	-----	-----	------

Notes:

[XM 130 T4i HI-LEVEL]

57	2.0112.207.2	2	screw m 8 p 1.25 x 20
58	2.1310.004.2	2	flat washer 8.4x17
59	0.019.0264.2/20	1	bracket
61	0.020.0012.2	1	small plate
62	2.1474.007.2	3	washer 6, d128
63	2.0312.104.2	3	screw m 6 p.1 x 16



9_Y8136_00_0-B-001

XM 130 T4i HI-LEVEL

Section: G0 - BODYWORK - CAB

Ref: G0.16.2 (1)

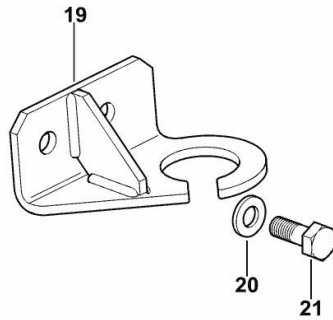
BOWDEN CABLE REACTION BRACKET FOR GROUND SPEED PTO

Fig.	P/n	QTY	Name
------	-----	-----	------

Notes:

[XM 130 T4i HI-LEVEL]

19	0.020.0059.2	1	bracket
20	2.1310.002.2	2	flat washer 6.4x12.5
21	2.0112.005.2	2	screw m 6 p.1 x 16

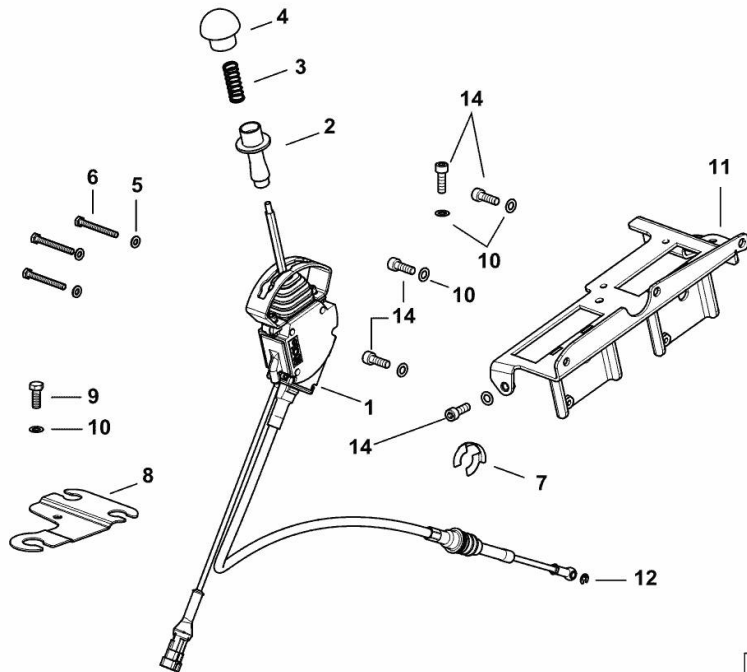


9_Y8136_02_0-B-001

Fig.	P/n	QTY	Name
------	-----	-----	------

Notes:
 [XM 130 T4i HI-LEVEL]

1	0.018.7372.4	1	control
2	0.018.9419.0	1	slider
3	2.4019.835.2	1	spring
4	0.018.9421.2	1	knob
5	2.1310.002.2	3	flat washer 6.4x12.5
6	2.0112.020.2	3	screw m 6 p.1 x 55
7	04418159	1	circlip
8	0.018.8753.0	1	bracket
9	2.0112.208.2	1	screw m 8 p.1.25 x 22
10	2.1470.004.2	6	lock washer 8
11	0.019.1142.3/10	1	plate
12	2.1430.006.2	1	circlip 5
14	2.0312.208.2	5	screw m 8 p.1.25 x 25



9_Y6968_15_0-A-001

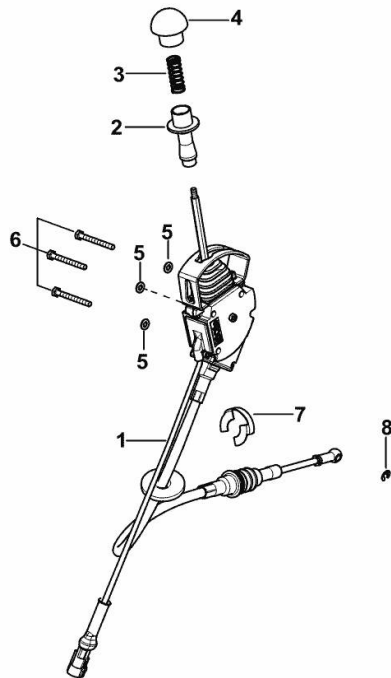
ECONOMY PTO CONTROL

Fig.	P/n	QTY	Name
------	-----	-----	------

Notes:

- FOR TYPES WITH 4-SPEED PTO [XM 130 T4i HI-LEVEL]

1	0.019.0292.4	1	control
2	0.018.9419.0	1	slider
3	2.4019.835.2	1	spring
4	0.018.9421.2	1	knob
5	2.1310.002.2	3	flat washer 6.4x12.5
6	2.0112.020.2	3	screw m 6 p.1 x 55
7	04418159	1	circlip
8	2.1430.006.2	1	circlip 5



9_Y6968_00_0-A-001



Suggest:

For more complete manuals. Please go to the home page.

<https://www.ebooklibonline.com>

If the above button click is invalid. Please download this document first, and then click the above link to download the complete manual.

Thank you so much for reading

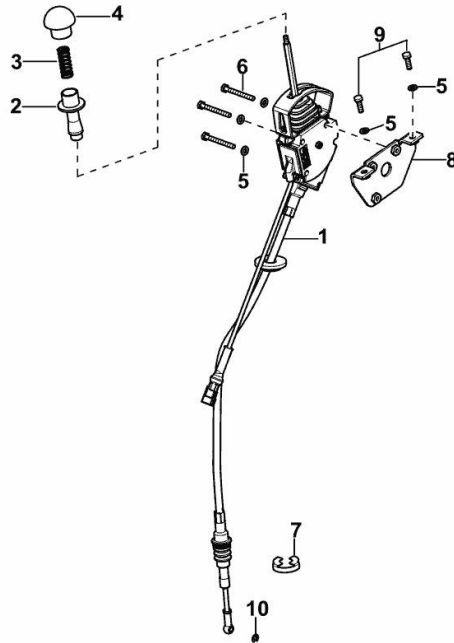
PTO 540/N CONTROL SYNCRO

Fig.	P/n	QTY	Name
------	-----	-----	------

Notes:

[XM 130 T4i HI-LEVEL]

1	0.018.7374.4	1	control
2	0.018.9419.0	1	slider
3	2.4019.835.2	1	spring
4	0.018.9421.2	1	knob
5	2.1310.002.2	5	flat washer 6.4x12.5
6	2.0112.020.2	3	screw m 6 p.1 x 55
7	04418159	1	circlip
8	0.019.1143.3	1	bracket
9	2.0112.007.2	2	screw m 6 p.1 x 20
10	2.1430.006.2	1	circlip 5



9_Y6968_01_0-A-001

XM 130 T4i HI-LEVEL

Section: G0 - BODYWORK - CAB

Ref: G0.18.0 (1)

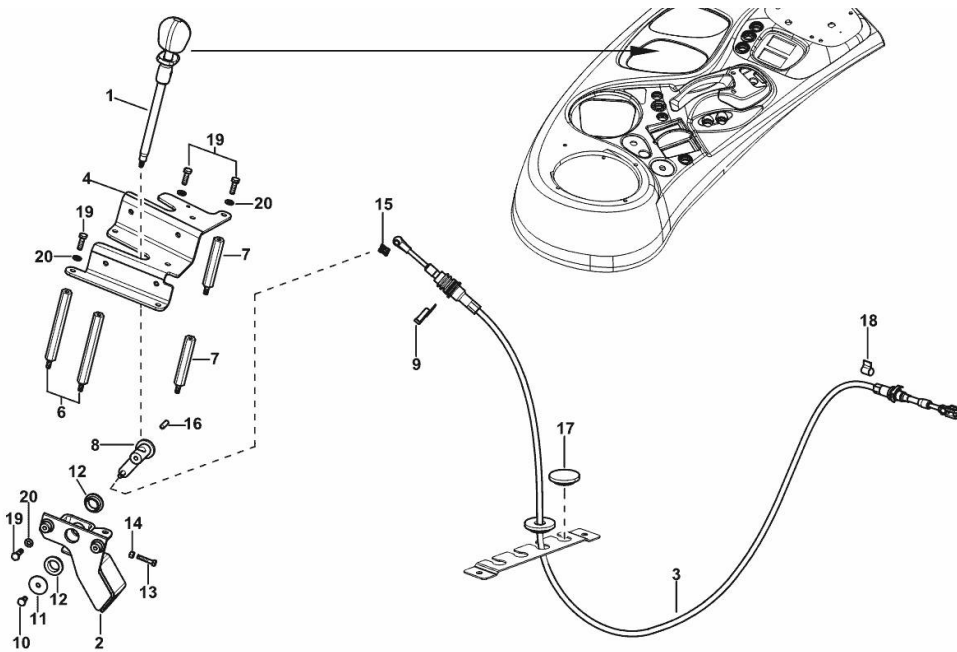
6 WAY SPOOL VALVES CONTROL

Fig.	P/n	QTY	Name
------	-----	-----	------

Notes:

- FOR TYPES WITHOUT OIL FLOW CONTROL [XM 130 T4i HI-LEVEL]

1	0.019.1639.4	1	lever
2	0.019.2134.3	1	bracket
3	0.018.7432.4/10	1	rod
4	0.019.2133.0/20	1	support
6	2.0399.357.2	1	small column
7	0.015.7926.0/20	2	small column
8	0.019.2136.2	1	pin
9	04418159	1	circlip
10	2.0112.003.2	1	screw m 6 p.1 x 12
11	2.1599.545.2	1	washer 6.5x28x2
12	2.1559.447.0	2	bush
13	2.0114.109.2	2	screw
14	2.1011.102.2	2	nut m 5 p.0.7
15	01175725	1	clip 6, d128
16	2.0532.108.7	1	grub screw m6x1x20
17	0.013.1681.0	1	plug
18	2.9939.509.0	1	plate
19	2.0112.007.2	7	screw m 6 p.1 x 20
20	2.1310.002.2	7	flat washer 6.4x12.5



9_Y7388_18_0-A-001

<https://www.ebooklibonline.com>

Hello dear friend!

Thank you very much for reading.

Enter the link into your browser.

The full manual is available for immediate download.

<https://www.ebooklibonline.com>