

XM 125 HI-LEVEL DCR ->ZKDL500200TH15001

Section: B0 - ENGINE

Ref: B0.00.9 (1)

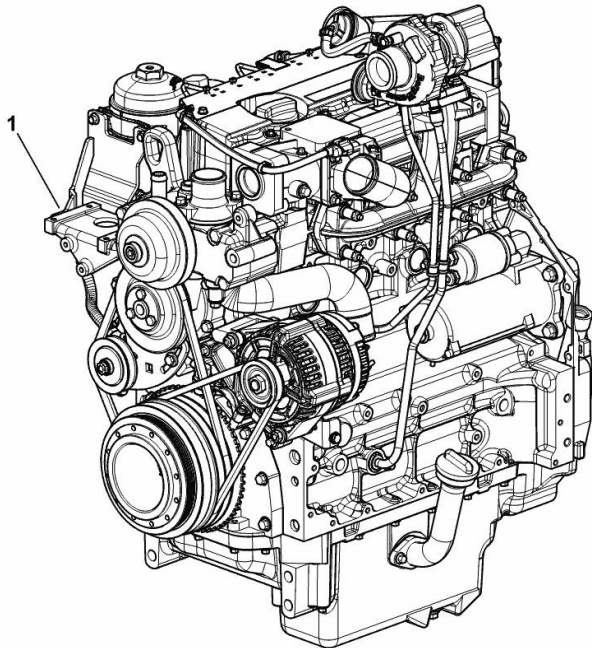
ENGINE TCD 2012 L04 2V DCR

Fig.	P/n	QTY	Name
------	-----	-----	------

Notes:

- EXPORT U.S.A. [XM 125 DCR HI-LEVEL ->ZKDL500200TH15001]

1	25009795	1	engine TCD 2012 L04 2V DCR ON ORDERING PLEASE ENGINE NO. REQUIRED
---	----------	---	---



9_O3219_07_0-A-001

XM 125 HI-LEVEL DCR ->ZKDL500200TH15001

Section: B0 - ENGINE

Ref: B0.01.0

FASTENINGS

Fig.	P/n	QTY	Name
------	-----	-----	------

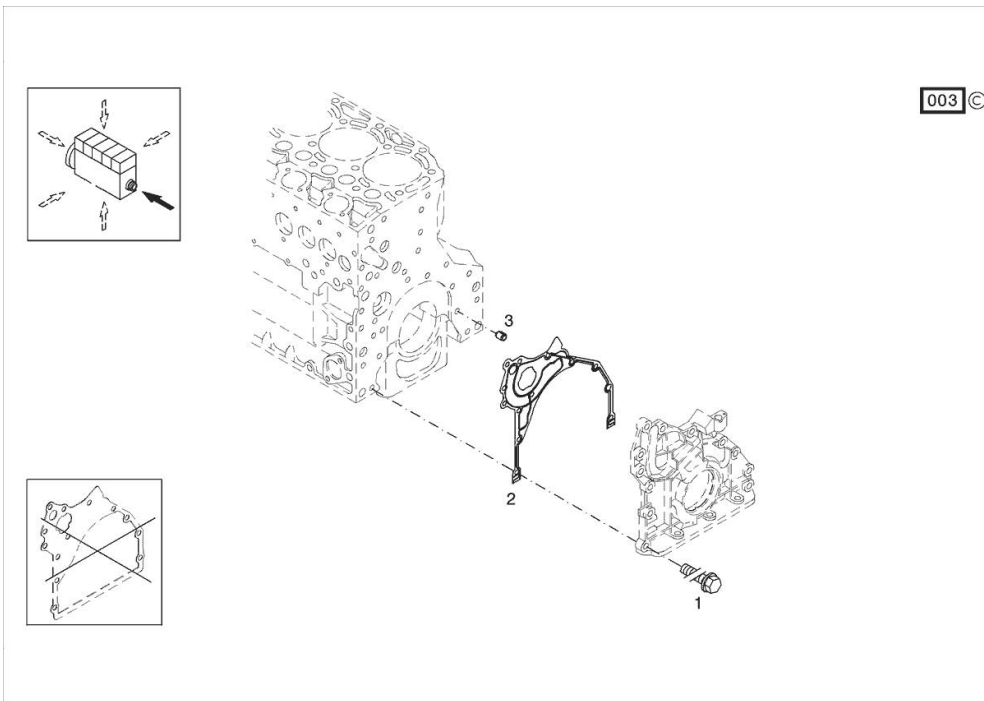
Notes:

[XM 125 DCR HI-LEVEL ->ZKDL500200TH15001]

Engine serial number:

10687981 10692296 10714062 10727795 10756558 10775972 10777593 10837275 10923882 10927404 11044782
11146528 11150717 11159703 11170756

1	01183645	12	screw EN 1662 -F-M8X35-10.9-ZNAL-A
2	04504325	1	gasket
3	01181406	1	bushing H 2341 -B11X8-FE/ZN12C*



XM 125 HI-LEVEL DCR ->ZKDL500200TH15001

Section: B0 - ENGINE

Ref: B0.01.3

SERIE GUARNIZIONI

Fig.	P/n	QTY	Name
------	-----	-----	------

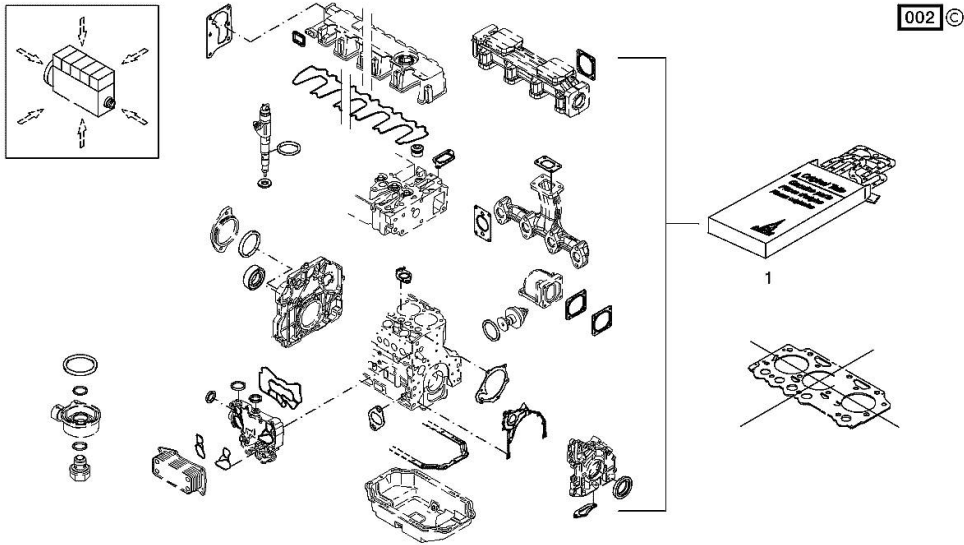
Notes:

[XM 125 DCR HI-LEVEL ->ZKDL500200TH15001]

Engine serial number:

10687981 10692296 10714062 10727795 10756558 10775972 10777593 10837275 10923882 10927404 11044782
11146528 11150717 11159703 11170756

1	02937587	1	gasket set THE KIT DOES NOT CONTAIN ALL THE GASKETS: SEE SM 0199-99-9449
---	----------	---	--



<https://www.ebooklibonline.com>

Hello dear friend!

Thank you very much for reading.

Enter the link into your browser.

The full manual is available for immediate download.

<https://www.ebooklibonline.com>

BLEEDING TUBE

Fig.	P/n	QTY	Name
------	-----	-----	------

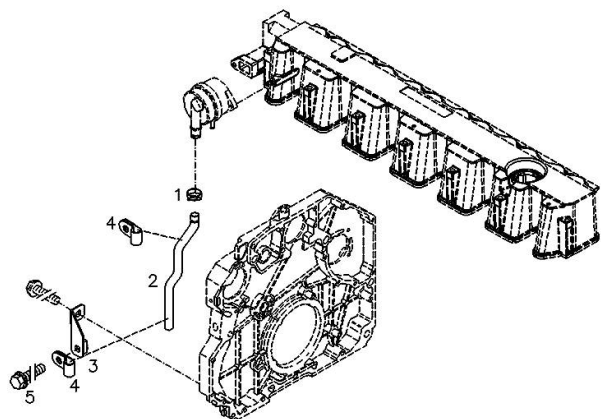
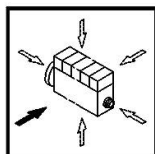
Notes:

[XM 125 DCR HI-LEVEL ->ZKDL500200TH15001]

Engine serial number:

10687981 10692296

1	01178750	1	clamp DIN 3021 -A-29X15
2	04290751	1	tube
3	04291288	1	bracket
4	01173523	2	fascia DIN 3016 -1-A1-25X20-W1-2
5	01181433	2	screw EN 1662 -F-M8X20-LG2,5-10.9-ZNAL-A



000 ©

XM 125 HI-LEVEL DCR ->ZKDL500200TH15001

Section: B0 - ENGINE

Ref: B0.01.8

BLEEDING TUBE

Fig.	P/n	QTY	Name
------	-----	-----	------

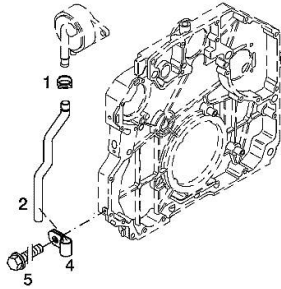
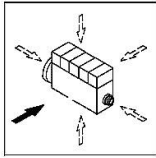
Notes:

[XM 125 DCR HI-LEVEL ->ZKDL500200TH15001]

Engine serial number:

10714062 10727795 10756558 10775972 10777593 10837275 10923882 10927404 11044782 11146528 11150717
11159703 11170756

1	01178750	1	clamp DIN 3021 -A-29X15
2	04290751	1	tube
4	01173523	1	fascia DIN 3016 -1-A1-25X20-W1-2
5	01181433	1	screw EN 1662 -F-M8X20-LG2,5-10.9-ZNAL-A



ACCESSORIES

Fig.	P/n	QTY	Name
------	-----	-----	------

Notes:

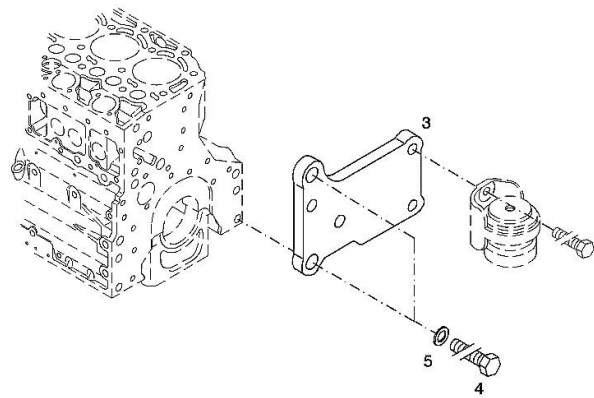
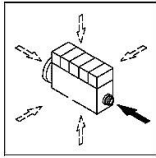
[XM 125 DCR HI-LEVEL ->ZKDL500200TH15001]

Engine serial number:

10687981 10692296 10714062 10727795 10756558 10775972 10777593 10837275 10923882 10927404 11044782
11146528 11150717 11159703 11170756

3	04288659	1	support
4	01148261	2	screw ISO 4017 -M16X40-10.9-ZNAL-A
5	01181400	2	washer H 2308 -18X25X1,5-A4C

006 ©



XM 125 HI-LEVEL DCR ->ZKDL500200TH15001

Section: B0 - ENGINE

Ref: B0.01.10

ACCESSORIES

Fig.	P/n	QTY	Name
------	-----	-----	------

Notes:

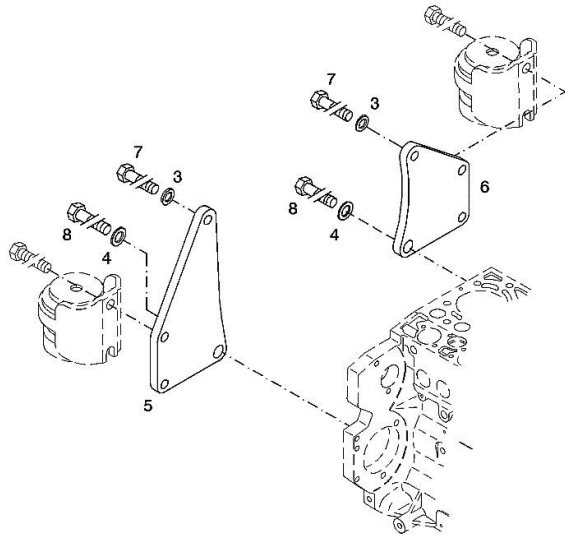
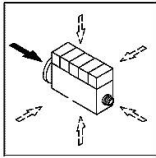
[XM 125 DCR HI-LEVEL ->ZKDL500200TH15001]

Engine serial number:

10687981 10692296 10714062 10727795 10756558 10775972 10777593 10837275 10923882 10927404 11044782
11146528 11150717 11159703 11170756

3	01182016	2	disc H 2308 -13X24X3-ZNAL-A
4	01181400	2	washer H 2308 -18X25X1,5-A4C
5	04206926	1	plate dx/rh/re
6	04206927	1	plate sx/lh/li
7	01148137	2	screw - UP TO MONTH OF ASSEMBLY (A) - FROM MONTH OF ASSEMBLY SEE POS. (B) A = 06.2009 B = POS. 950 DIN 931 -M12X75-10.9-ZNAL-A
8	01148037	2	screw UP TO MONTH OF ASSEMBLY (A) - FROM MONTH OF ASSEMBLY SEE POS. (B) A = 06.2009 B = POS. 951 ISO 4014 -M16X75-10.9-OELGESCHW
950	01149017	2	screw - FROM MONTH OF ASSEMBLY SEE POS. (B) - UP TO MONTH OF ASSEMBLY (A) FROM MONTH OF ASSEMBLY A = 07.2009 B = 7 DIN 34800 -BM12X75-10.9-ZNAL-A
951	01180235	2	screw - FROM MONTH OF ASSEMBLY SEE POS. (B) - UP TO MONTH OF ASSEMBLY (A) FROM MONTH OF ASSEMBLY A = 07.2009 B= Pos.8 H 2032 -HBM16X75-10.9-GESCHW

003 ©



OIL FILLER NECK

Fig.	P/n	QTY	Name
------	-----	-----	------

Notes:

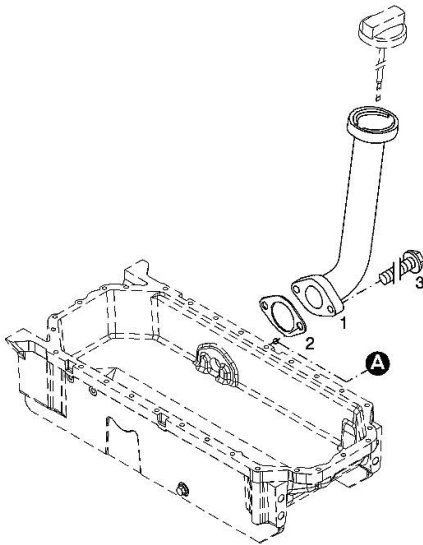
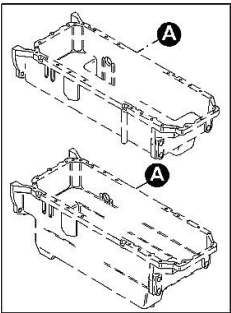
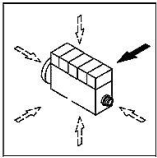
[XM 125 DCR HI-LEVEL ->ZKDL500200TH15001]

Engine serial number:

10687981 10692296 10714062 10727795 10756558 10775972 10777593 10837275 10923882 10927404 11044782
11146528 11150717 11159703 11170756

1	04207099	1	tube
2	01178421	1	gasket
3	01181433	2	screw
			30 Nm

001 ©



XM 125 HI-LEVEL DCR ->ZKDL500200TH15001

Section: B0 - ENGINE

Ref: B0.01.12

CRANKCASE BREATHER

Fig.	P/n	QTY	Name
------	-----	-----	------

Notes:

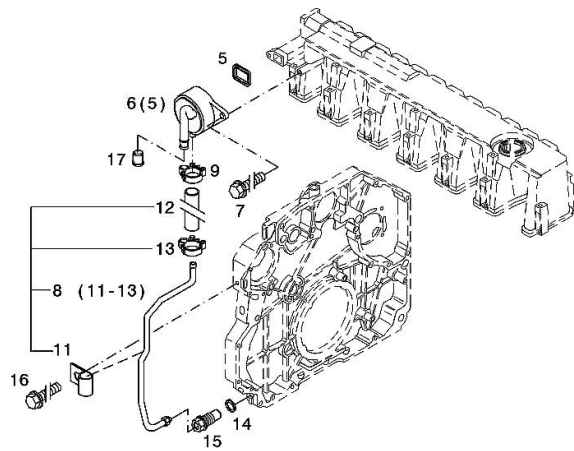
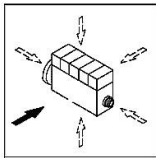
[XM 125 DCR HI-LEVEL ->ZKDL500200TH15001]

Engine serial number:

10687981 10692296 10714062 10727795 10756558 10775972 10777593 10837275 10923882 10927404 11044782
11146528 11150717 11159703 11170756

5	04298547	1	rubber plug
6	04905110	1	breather WITH POS.... (5)
7	01181432	2	screw m8x30 EN 1662 -F-M8X30-10.9-ZNAL-A
8	04504876	1	tube WITH POS.... 11-13
9	01182878	1	fascia H 3461 -F-13,0/8
11	02144961	1	fascia
12	04288507	1	rubber tube H 3407 -F8X14X57-EAM/ARAMID/EAM
13	01182878	1	fascia H 3461 -F-13,0/8
14	01118737	1	oil seal 22 x 27 DIN 7603 -A22X27-CU
15	04505853	1	pipe union
16	01181442	1	screw m6x12 EN 1662 -F-M6X12-10.9-ZNAL-A
17	01161302	1	bottom H 2873 -A25,5X22,8X17-PEWEICH

002 ©



ACCESSORIES

Fig.	P/n	QTY	Name
------	-----	-----	------

Notes:

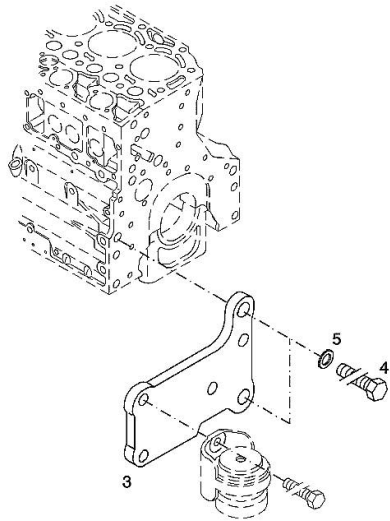
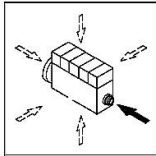
[XM 125 DCR HI-LEVEL ->ZKDL500200TH15001]

Engine serial number:

10687981 10692296 10714062 10727795 10756558 10775972 10777593 10837275 10923882 10927404 11044782
11146528 11150717 11159703 11170756

3	04288660	1	support
4	01148261	2	screw ISO 4017 -M16X40-10.9-ZNAL-A
5	01181400	2	washer H 2308 -18X25X1,5-A4C

003 ©



XM 125 HI-LEVEL DCR ->ZKDL500200TH15001

Section: B0 - ENGINE

Ref: B0.01.15

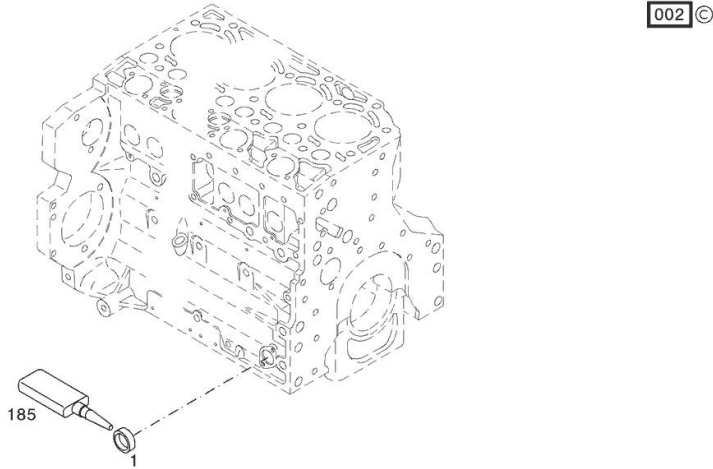
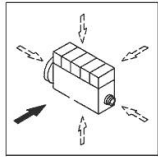
PLUG

Fig.	P/n	QTY	Name
------	-----	-----	------

Notes:

[XM 125 DCR HI-LEVEL ->ZKDL500200TH15001]

1	01148031	1	plug DIN 443 -A36-ZNPHR
185	01319911	1	sealing compound ml. 50



XM 125 HI-LEVEL DCR ->ZKDL500200TH15001

Section: B0 - ENGINE

Ref: B0.01.16

FILLER CAP

Fig.	P/n	QTY	Name
------	-----	-----	------

Notes:

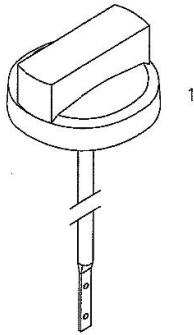
[XM 125 DCR HI-LEVEL ->ZKDL500200TH15001]

Engine serial number:

10687981 10692296 10714062 10727795 10756558 10775972 10777593 10837275 10923882 10927404 11044782
11146528 11150717 11159703 11170756

1	01180286	1	plug H 2875 -B2-OL40-166X4-130X12
---	----------	---	--------------------------------------

000



0507 1178

XM 125 HI-LEVEL DCR ->ZKDL500200TH15001

Section: B0 - ENGINE

Ref: B0.01.17

PISTON COOL.NOZZLE

Fig.	P/n	QTY	Name
------	-----	-----	------

Notes:

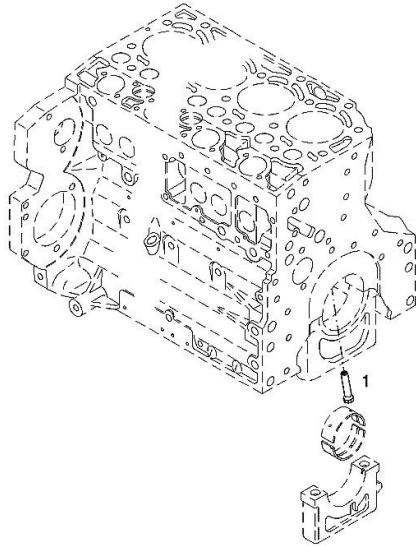
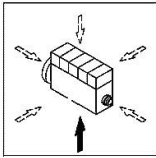
[XM 125 DCR HI-LEVEL ->ZKDL500200TH15001]

Engine serial number:

10687981 10692296 10714062 10727795 10756558 10775972 10777593 10837275 10923882 10927404 11044782
11146528 11150717 11159703 11170756

1	04207521	1	sprayers
---	----------	---	----------

001 ©



XM 125 HI-LEVEL DCR ->ZKDL500200TH15001

Section: B0 - ENGINE

Ref: B0.01.19

KURBELGEHAEUSE

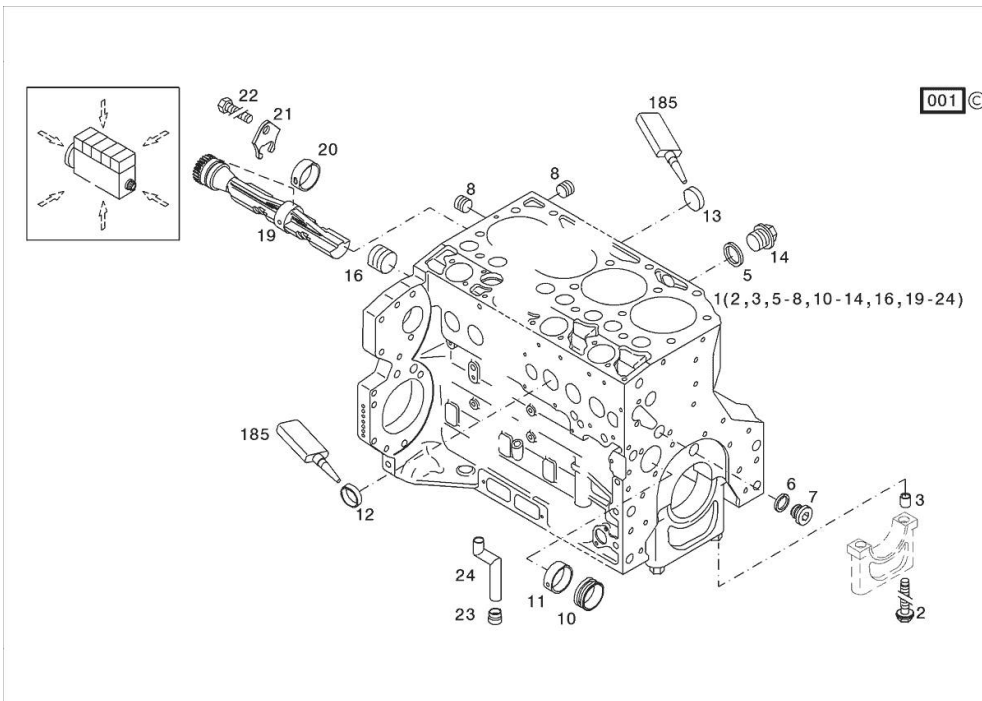
Fig.	P/n	QTY	Name
------	-----	-----	------

Notes:

[XM 125 DCR HI-LEVEL ->ZKDL500200TH15001]

Engine serial number:

10687981 10692296 10714062 10727795 10756558 10775972 10777593 10837275 10923882 10927404 11044782
11146528 11150717



185	01319910	1	guard
1	04297345	1	crankcase MIT POS... (2,3,5-8,10-14,16,19-24)
2	04254240	10	screw 50 Nm , 90° , 90°
3	04160764	10	bushing
5	01118693	2	gasket 14x20 DIN 7603 -A14X20-CU
6	01101342	1	oil seal DIN 7603 -D22X27-CU
7	04292706	1	plug 80 Nm
8	01182031	2	screw 35 Nm H 2812 -906-M14X1,5-ST-A3C-LOCTITE506
10	04251884	4	plug
11	04250086	1	ring
12	01148032	6	cover DIN 443 -A45-ZNPHR
13	01148031	4	plug DIN 443 -A36-ZNPHR
14	01100940	2	screw 35 Nm DIN 7604 -AM14X1,5-ST-A4C
16	04226536	1	bottom 30 Nm
19	04298246	2	shaft
20	04252834	4	bush
21	04251810	2	plug
22	01181672	2	nut 29 Nm H 2091 -4017-M8X16-10.9-GESCHW-MK-1.0
23	04255998	1	ring
24	04291215	1	tube

FLANGE

Fig.	P/n	QTY	Name
------	-----	-----	------

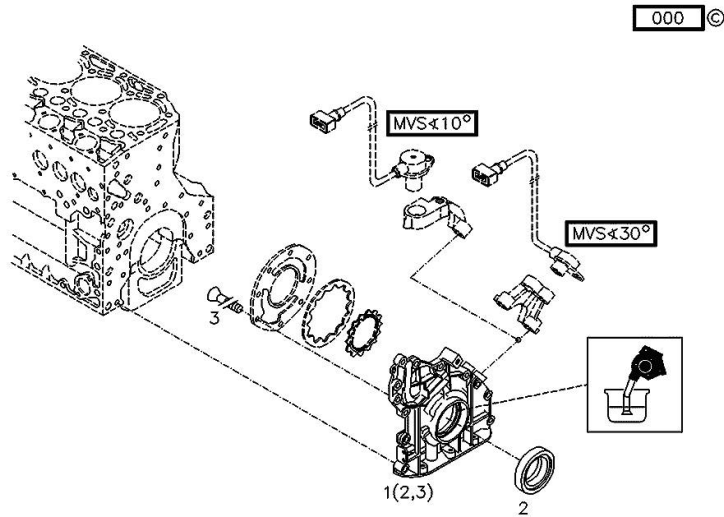
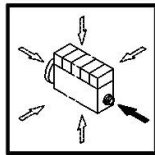
Notes:

[XM 125 DCR HI-LEVEL ->ZKDL500200TH15001]

Engine serial number:

10687981 10692296 10714062 10727795 10756558 10775972 10777593 10837275 10923882 10927404

1	04283992	1	oil pump WITH POS.... (2,3)
2	04253372	1	oil seal
3	01133718	8	screw DIN 7991 -M6X16-8.8-A4C





Suggest:

For more complete manuals. Please go to the home page.

<https://www.ebooklibonline.com>

If the above button click is invalid. Please download this document first, and then click the above link to download the complete manual.

Thank you so much for reading

XM 125 HI-LEVEL DCR ->ZKDL500200TH15001

Section: B0 - ENGINE

Ref: B0.01.22

KURBELGEHAEUSE

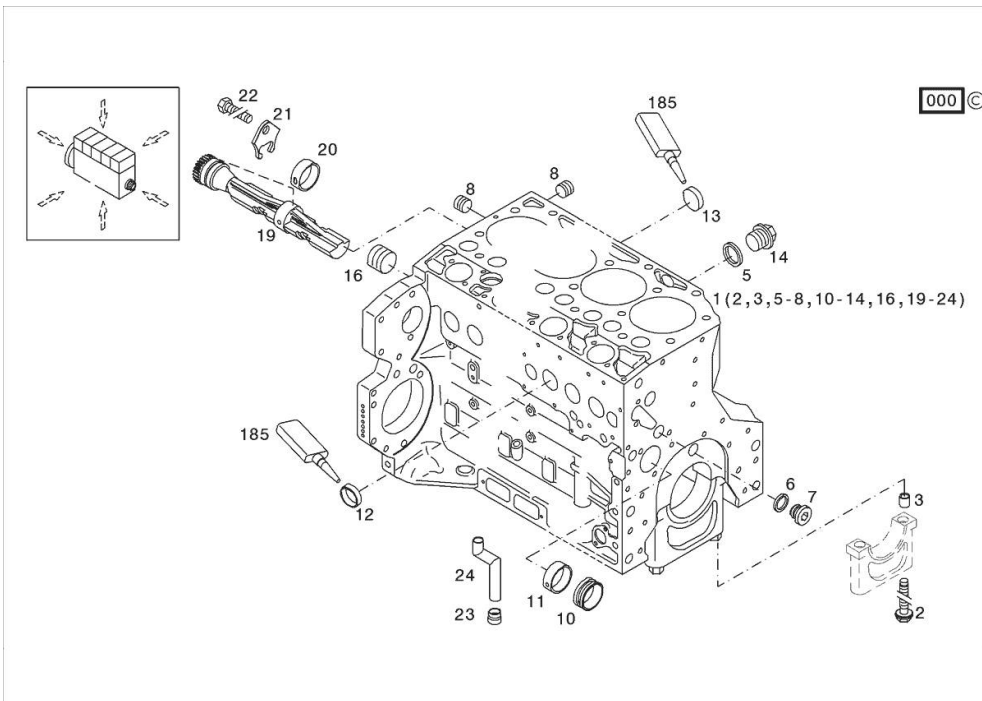
Fig.	P/n	QTY	Name
------	-----	-----	------

Notes:

[XM 125 DCR HI-LEVEL ->ZKDL500200TH15001]

Engine serial number:

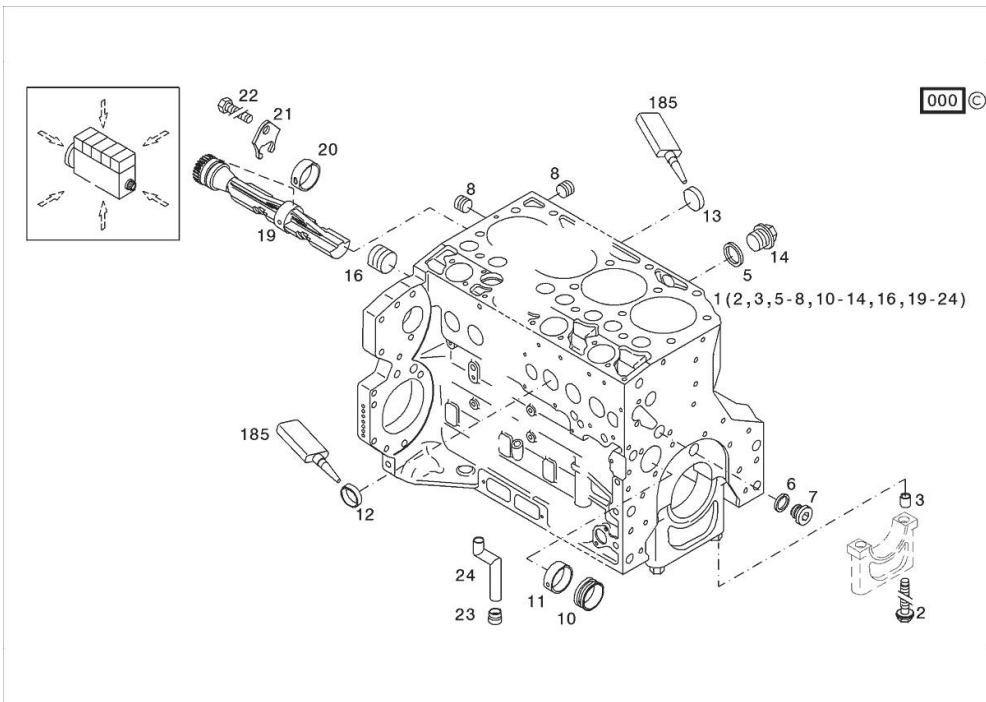
11159703 11170756



4	01110423	1	screw 35 Nm DIN 908 -M14X1,5-ST-ZNPHRF
5	01148899	3	rubber plug DIN 7603 -D14X18-CU-VERZINNT
185	01319910	1	guard
10	04507244	4	bushing
11	04507765	1	bushing
1	04506880	1	crankcase MIT POS... (2-8,10-14,16,19-24)
2	04254240	10	screw 50 Nm , 90° , 90°
3	04160764	10	bushing
6	01101342	1	oil seal DIN 7603 -D22X27-CU
7	04292706	1	plug 80 Nm
8	01182031	1	screw 35 Nm H 2812 -906-M14X1,5-ST-A3C-LOCTITE506
12	01148032	6	cover DIN 443 -A45-ZNPHR
13	01148031	4	plug DIN 443 -A36-ZNPHR
14	01100940	2	screw 35 Nm DIN 7604 -AM14X1,5-ST-A4C
16	04226536	1	bottom 30 Nm
19	04298246	2	shaft
20	04252834	4	bush
21	04251810	2	plug
22	01181672	2	nut 29 Nm H 2091 -4017-M8X16-10.9-GESCHW-MK-1.0
23	04255998	1	ring

KURBELGEHAEUSE

Fig.	P/n	QTY	Name
24	04291215	1	tube



<https://www.ebooklibonline.com>

Hello dear friend!

Thank you very much for reading.

Enter the link into your browser.

The full manual is available for immediate download.

<https://www.ebooklibonline.com>