

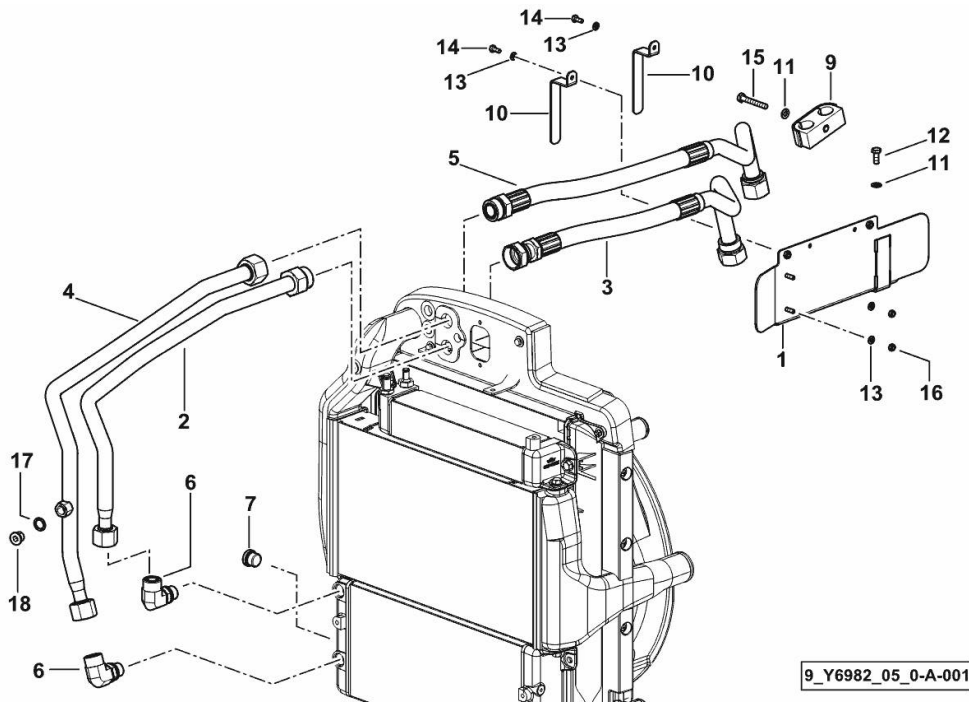
OIL COOLER PIPE

Fig.	P/n	QTY	Name
------	-----	-----	------

Notes:

[XM 120 T4i V-DRIVE]

1	0.019.1193.3	1	channel
2	0.019.1449.3	1	tube - INPUT
3	0.019.1195.3	1	flexible hose - INPUT
4	0.019.1450.3	1	tube - OUTPUT
5	0.019.1196.3	1	flexible hose - OUTPUT
6	2.3273.213.0	2	pipe fitting
7	2.3121.008.2	1	plug
9	2.3329.004.0	1	terminal
10	0.019.1197.0	2	bracket
11	2.1310.004.2	2	flat washer 8.4x17
12	2.0112.207.2	1	screw m 8 p 1.25 x 20
13	2.1310.002.2	4	flat washer 6.4x12.5
14	2.0112.004.2	2	screw m 6 p.1 x 14
15	2.0112.220.2	1	screw m 8 p.1.25x55
16	2.1011.103.2	2	nut m 6 p.1
17	2.1560.012.0	1	gasket 16.2 x 22
18	2.3120.010.4	1	plug m 16 p.1.5



GEARBOX OIL HEAT EXCHANGER SYSTEM

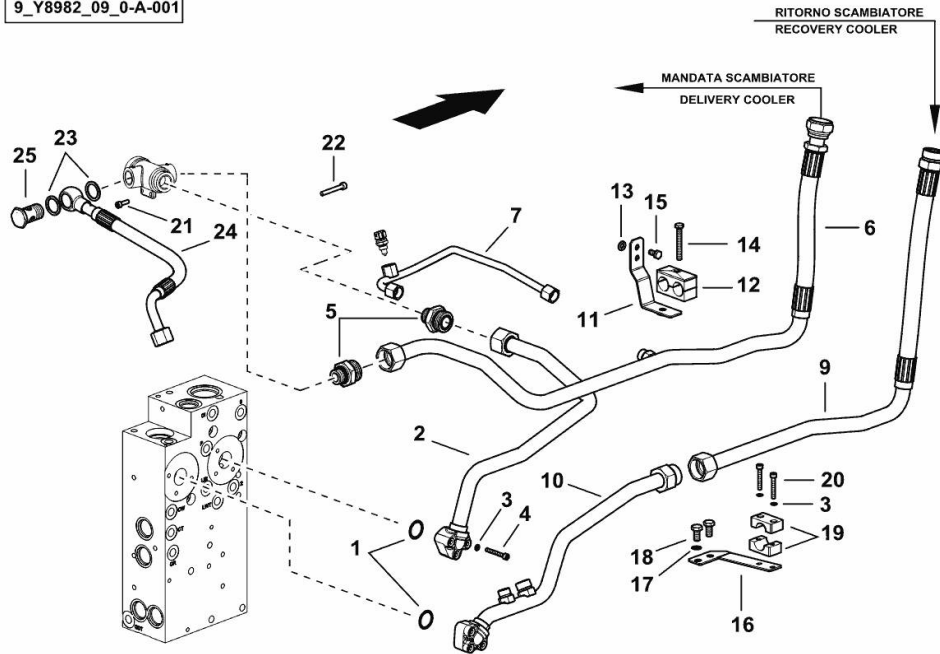
Fig.	P/n	QTY	Name
------	-----	-----	------

Notes:

[XM 120 T4i V-DRIVE]

1	2.1532.075.0	2	ring
2	0.019.7564.3	1	tube
3	2.1480.012.2	12	washer 6, d128
4	2.0312.115.2	6	screw m 6 p.1x45
5	2.3249.663.2	2	pipe fitting
6	0.019.7567.3	1	tube
7	0.019.7561.3	1	tube
9	0.019.7566.3	1	tube
10	0.019.7562.3	1	tube
11	0.019.7560.3	1	bracket
12	2.3329.006.0	1	terminal
13	2.1310.004.2	3	flat washer 8.4x17
14	2.0112.221.2	1	screw m 8 p.1.25 x 60
15	2.0112.205.2	2	screw m 8 p.1.25 x 16
16	0.019.7539.3	1	bracket
17	2.1310.006.2	2	flat washer 10.5x21
18	2.0112.307.2	2	screw m 10 p.1.5 x 20
19	04454620	2	small block
20	2.0312.114.2	2	screw m 6 p.1x40
21	2.0312.106.2	2	screw m 6 p.1 x 20
22	2.1011.103.2	2	nut m 6 p.1
23	2.1569.068.0	2	gasket 26.3x34
24	0.019.7568.3	1	tube
25	2.3335.010.2	1	pipe union m 26x1.5

9_Y8982_09_0-A-001

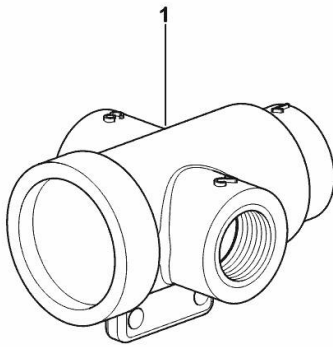


RADIATOR BY-PASS VALVE

Fig.	P/n	QTY	Name
------	-----	-----	------

Notes:
[XM 120 T4i V-DRIVE]

1	2.3729.014.0	1	valve
---	--------------	---	-------



9_V7182_05_0-A-001

<https://www.ebooklibonline.com>

Hello dear friend!

Thank you very much for reading.

Enter the link into your browser.

The full manual is available for immediate download.

<https://www.ebooklibonline.com>

XM 120 T4i V-DRIVE

Section: H0 - HYDRAULIC AND PNEUMATIC SYSTEM]

Ref: H0.01.3 (1)

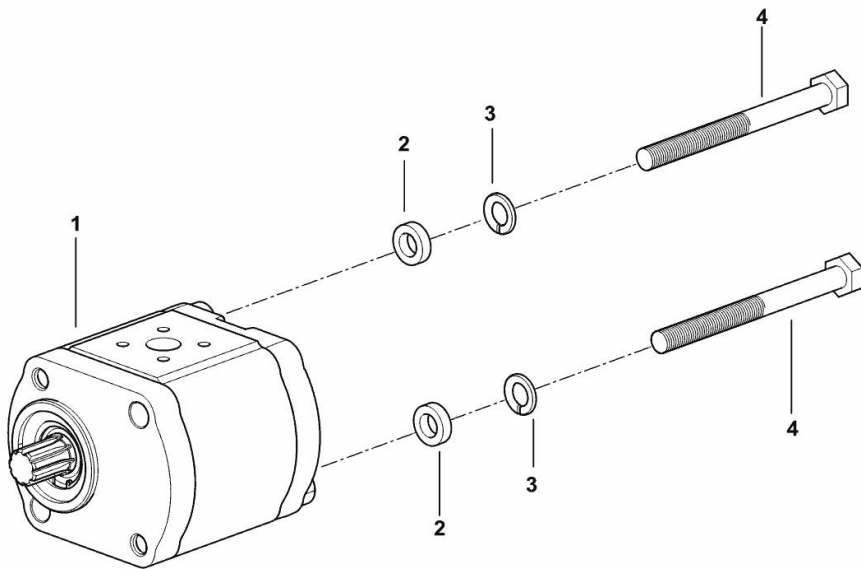
HYDRAULIC PUMP 14 cc dx/rh/re

Fig.	P/n	QTY	Name
------	-----	-----	------

Notes:

[XM 120 T4i V-DRIVE]

1	2.4539.480.0/10	1	hydraulic pump 14 cc dx/rh/re - BOSCH ☞ 2.4539.480.0/10
2	2.1549.321.0	2	spacer 10.5X18X5
3	2.1474.010.2	2	washer 10
4	2.0112.331.2	2	screw m 10 p.1.5x110



9_R8982_01_0-A-001

XM 120 T4i V-DRIVE

Section: H0 - HYDRAULIC AND PNEUMATIC SYSTEM]

Ref: H0.01.4 (1)

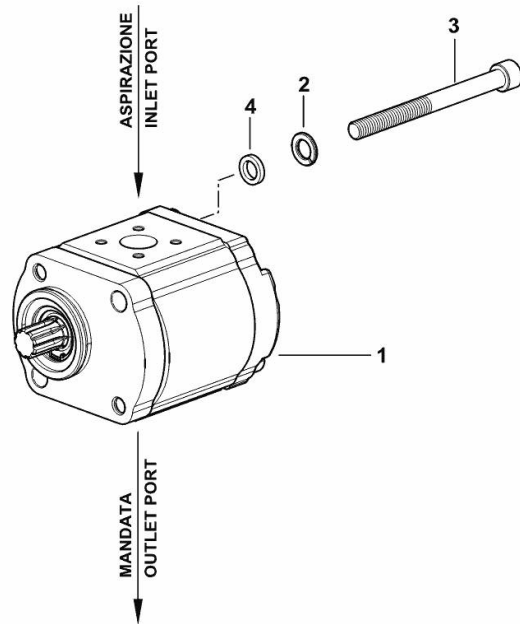
QUIET-RUNNING HYDRAULIC PUMP 16 cm³, sx/lh/li

Fig.	P/n	QTY	Name
------	-----	-----	------

Notes:

[XM 120 T4i V-DRIVE]

1	2.4539.015.0	1	hydraulic pump 16 cm ³ , sx/lh/li
2	2.1474.010.2	2	washer 10
3	2.0169.017.2	2	screw m 10 p.1.5x115
4	2.1579.154.2	2	spacer 10.5x16x3



9_Y8982_01_0-A-001

XM 120 T4i V-DRIVE

Section: H0 - HYDRAULIC AND PNEUMATIC SYSTEM|

Ref: H0.01.5 (1)

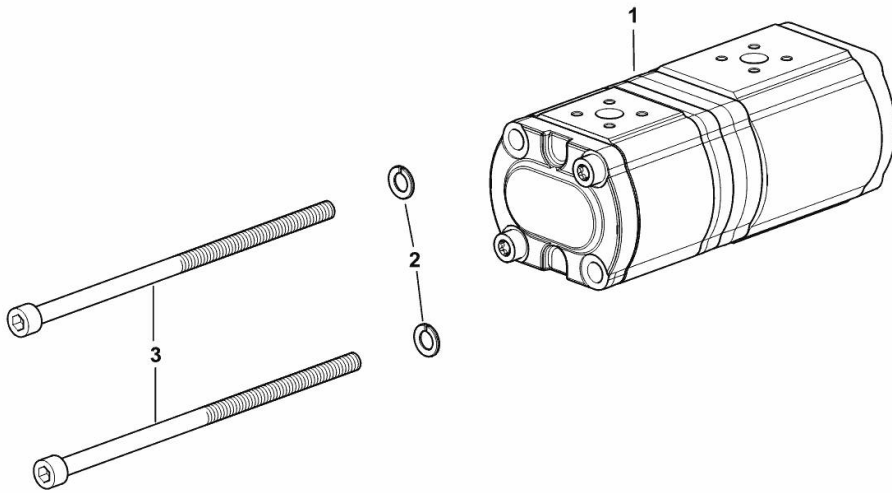
HYDRAULIC PUMP 22.5 + 11 cc sx/lh/li

Fig.	P/n	QTY	Name
------	-----	-----	------

Notes:

[XM 120 T4i V-DRIVE]

1	2.4539.006.0	1	oil pump 22.5 + 11 cc sx/lh/li - BOSCH ☞ 2.4539.006.0
2	2.1474.010.2	2	washer 10
3	04454597/10	2	screw



9_Y8982_02_0-A-001

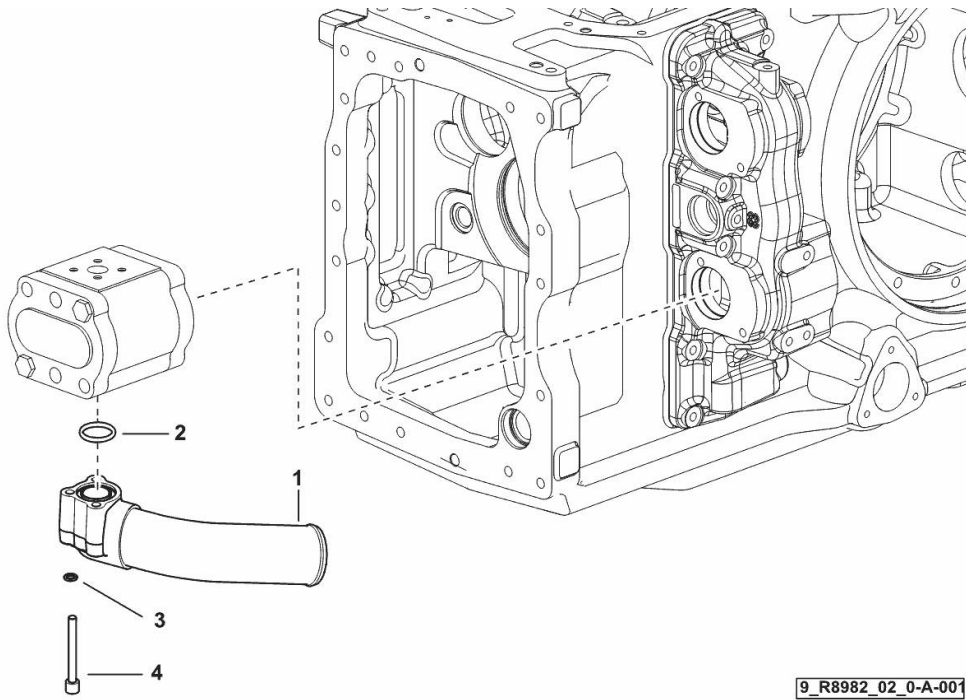
PUMP FILTER SUCTION

Fig.	P/n	QTY	Name
------	-----	-----	------

Notes:

[XM 120 T4i V-DRIVE]

1	0.016.7175.3	1	tube
2	2.1531.058.0	1	oil seal 22.22x2.62
3	2.1480.012.2	3	washer 6, d128
4	2.0312.114.2	3	screw m 6 p.1x40



9 R8982_02_0-A-001

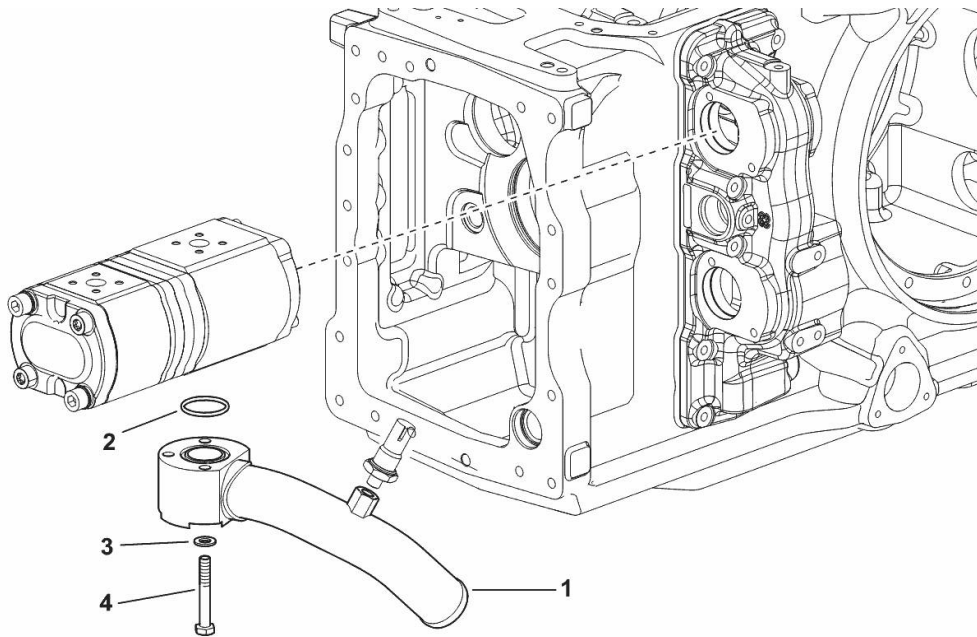
PUMP FILTER SUCTION

Fig.	P/n	QTY	Name
------	-----	-----	------

Notes:

[XM 120 T4i V-DRIVE]

1	0.017.4823.3	1	tube
2	2.1531.079.0	1	oil seal 29.82 x 2.62
3	2.1310.004.2	3	flat washer 8.4x17
4	2.0112.220.2	3	screw m 8 p.1.25x55



9_R9282_04_0-A-001

XM 120 T4i V-DRIVE

Section: H0 - HYDRAULIC AND PNEUMATIC SYSTEM]

Ref: H0.01.8 (1)

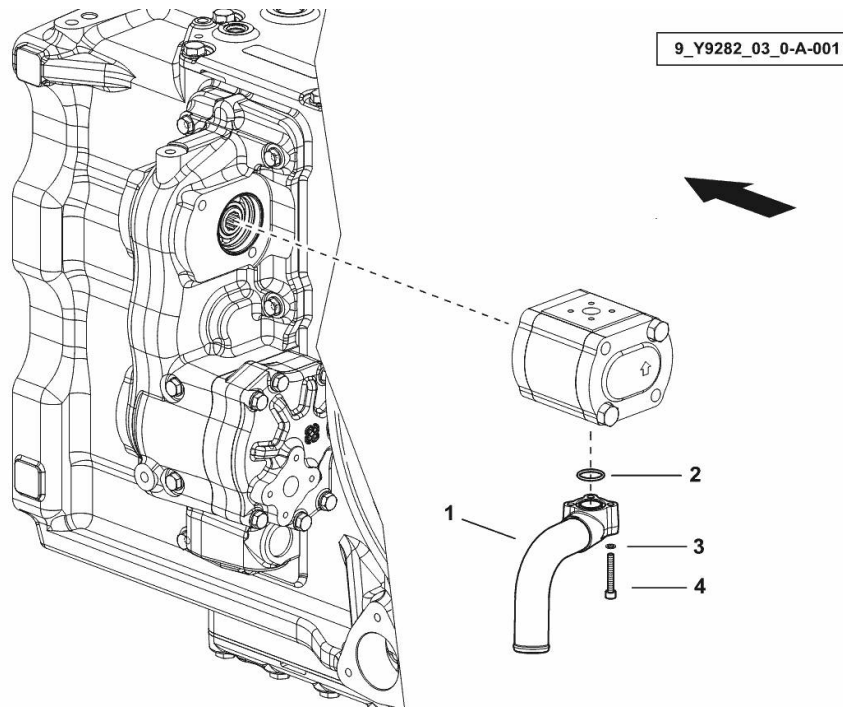
PUMP INTAKE HYDRAULIC SYSTEM 14 cc dx/rh/re

Fig.	P/n	QTY	Name
------	-----	-----	------

Notes:

[XM 120 T4i V-DRIVE]

1	0.020.0106.3	1	tube
2	2.1531.058.0	1	oil seal 22.22x2.62
3	2.1480.012.2	3	washer 6, d128
4	2.0312.114.2	3	screw m 6 p.1x40



XM 120 T4i V-DRIVE

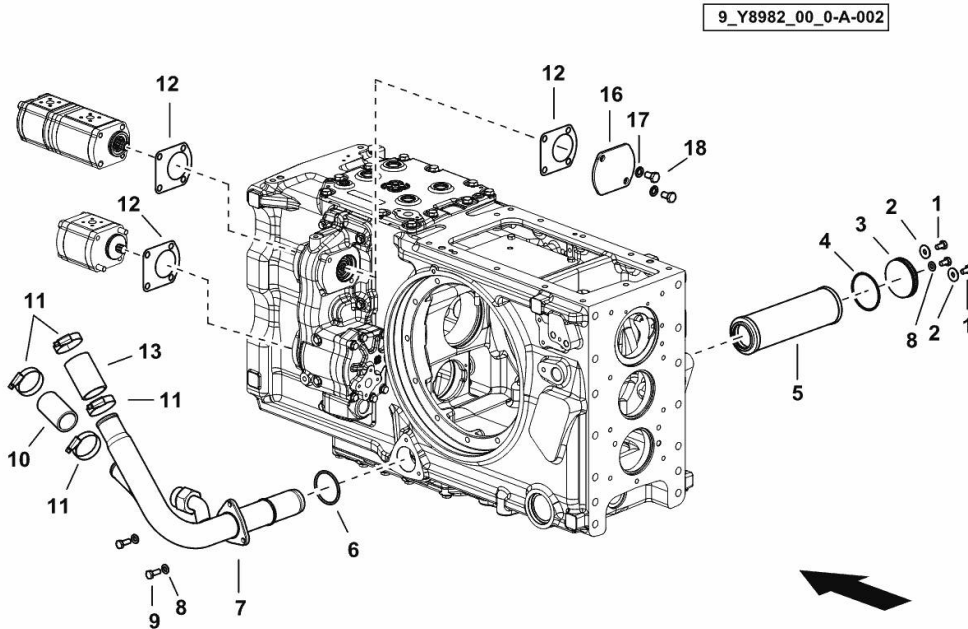
Section: H0 - HYDRAULIC AND PNEUMATIC SYSTEM]

Ref: H0.01.9 (2)

SUCTION HYDRAULIC SYSTEM 16+25 CC

Fig.	P/n	QTY	Name
------	-----	-----	------

Notes:
[XM 120 T4i V-DRIVE]



1	2.0112.204.2	3	screw m 8 p.1.25x14
2	2.1312.004.3	2	washer 8,4x24x2
3	0.013.8789.0/10	1	cover
4	2.1532.157.0	1	ring 64.77x2.62
5	2.4419.795.0	1	hydr.oil filter elem.
6	2.1532.138.0	1	oil seal 55.56x3.53
7	0.019.7420.3	1	tube
8	2.1310.004.2	4	flat washer 8.4x17
9	2.0112.208.2	3	screw m 8 p.1.25 x 22
10	2.3213.234.0	1	sleeve Ø 34, L 70
11	2.6851.004.0	4	clamp Ø 32/50
12	0.9104.250.0/10	3	gasket
13	2.3213.240.0	1	sleeve
16	0.017.5073.0	1	cover
17	2.1474.010.2	2	washer 10
18	2.0112.306.2	2	screw m 10

XM 120 T4i V-DRIVE

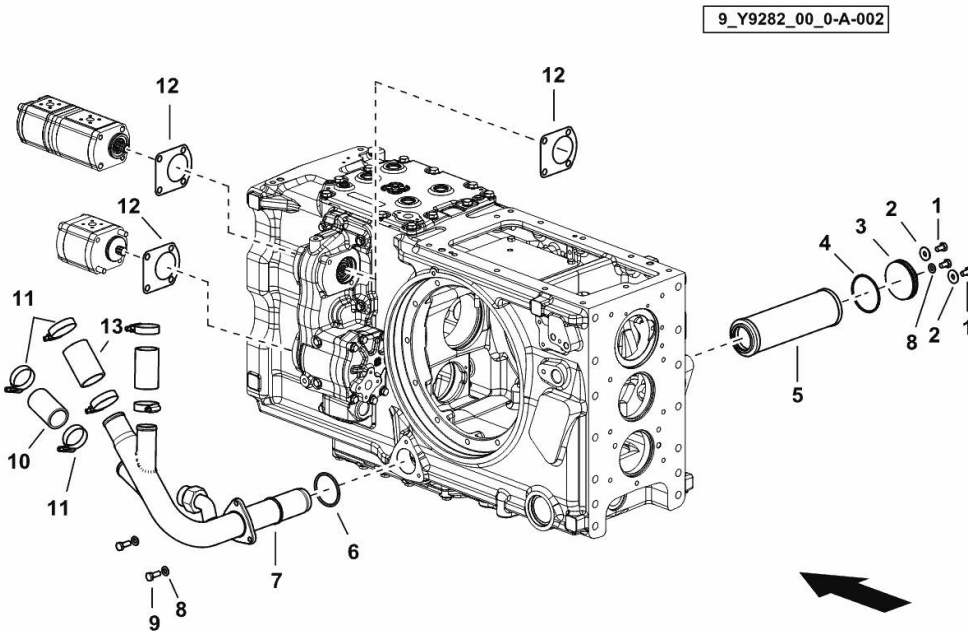
Section: H0 - HYDRAULIC AND PNEUMATIC SYSTEM|
SUCTION HYDRAULIC SYSTEM 16+22,5+14 CC

Ref: H0.01.10 (2)

Fig.	P/n	QTY	Name
------	-----	-----	------

Notes:
 [XM 120 T4i V-DRIVE]

1	2.0112.204.2	3	screw m 8 p.1.25x14
2	2.1312.004.3	2	washer 8,4x24x2
3	0.013.8789.0/10	1	cover
4	2.1532.157.0	1	ring 64.77x2.62
5	2.4419.795.0	1	hydr.oil filter elem.
6	2.1532.138.0	1	oil seal 55.56x3.53
7	0.019.7391.3	1	tube
8	2.1310.004.2	4	flat washer 8.4x17
9	2.0112.208.2	3	screw m 8 p.1.25 x 22
10	2.3213.234.0	2	sleeve Ø 34, L 70
11	2.6851.004.0	6	clamp Ø 32/50
12	0.9104.250.0/10	3	gasket
13	2.3213.240.0	1	sleeve



HYDRAULIC SYSTEM

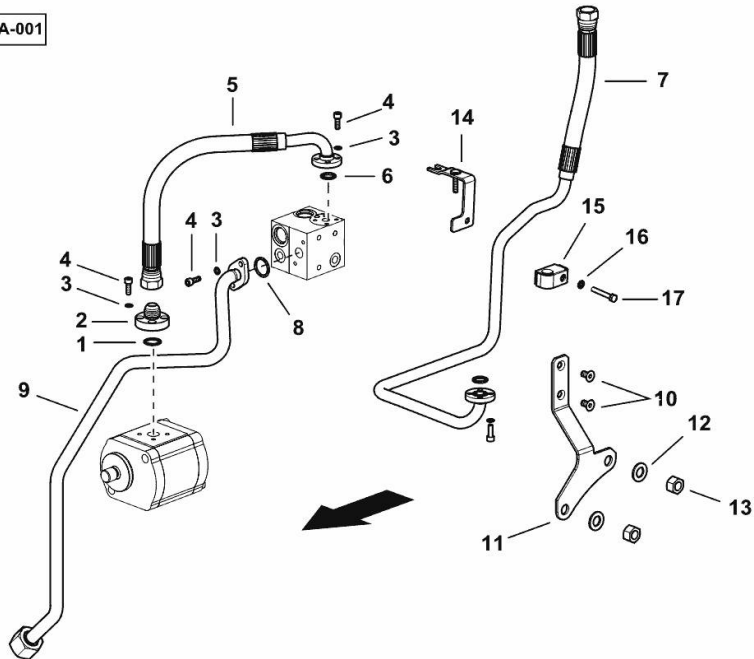
Fig.	P/n	QTY	Name
------	-----	-----	------

Notes:

- 60 LT ECO [XM 120 T4i V-DRIVE]

1	2.1531.052.0	1	oil seal 20.29 x 2.62
2	0.010.9142.0/10	1	flange
3	2.1480.012.2	12	washer 6, d128
4	2.0312.105.2	12	screw m 6 p.1 x 18
5	0.019.8984.3	1	tube
6	2.1531.043.0	2	oil seal 17.13x2.62
7	0.019.5376.3	1	tube
8	2.1531.062.0	1	oil seal 23.81 x 2.62
9	0.019.8985.3	1	tube
10	2.0342.303.6	2	screw m 8 p. 1.25x16
11	0.019.5710.0	1	bracket
12	2.1475.005.7	2	washer 14
13	2.1012.408.2	2	nut
14	0.020.0084.3	1	bracket
15	2.3320.108.0	1	terminal
16	2.1470.002.2	1	lock washer 6
17	2.0112.015.2	1	screw m 6 p.1x40

9_Y9382_66_0-A-001



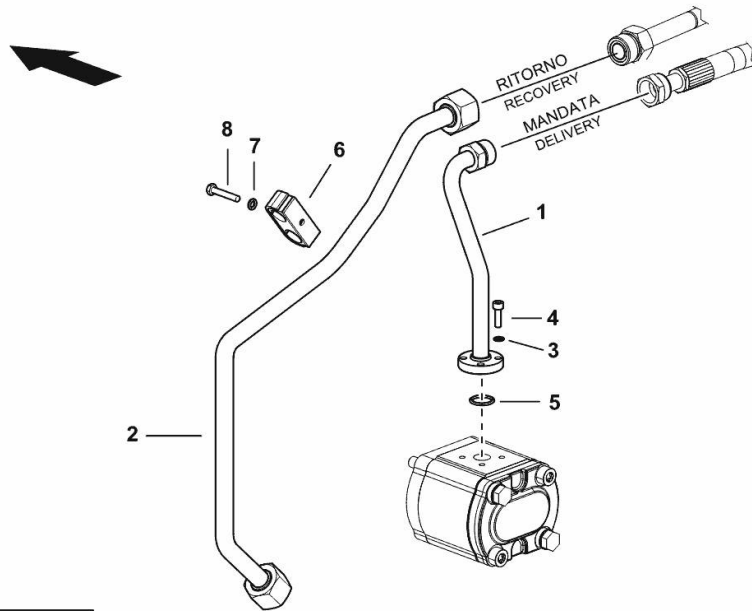
HYDRAULIC SYSTEM

Fig.	P/n	QTY	Name
------	-----	-----	------

Notes:

- FOR TYPES WITH ELECTROHYDRAULIC REMOTE CONTROL VALVE [XM 120 T4i V-DRIVE]

1	0.019.8410.3	1	tube
2	0.019.8411.3	1	tube
3	2.1480.012.2	4	washer 6, d128
4	2.0312.106.2	4	screw m 6 p.1 x 20
5	2.1531.052.0	1	oil seal 20.29 x 2.62
6	2.3320.220.0	1	terminal Ø 18/20 - typ A
7	2.1470.002.2	1	lock washer 6
8	2.0112.013.2	1	screw m 6 p.1 x 35



9_Y9682_66_0-A-001



Suggest:

For more complete manuals. Please go to the home page.

<https://www.ebooklibonline.com>

If the above button click is invalid. Please download this document first, and then click the above link to download the complete manual.

Thank you so much for reading

XM 120 T4i V-DRIVE

Section: H0 - HYDRAULIC AND PNEUMATIC SYSTEM|

Ref: H0.01.14 (1)

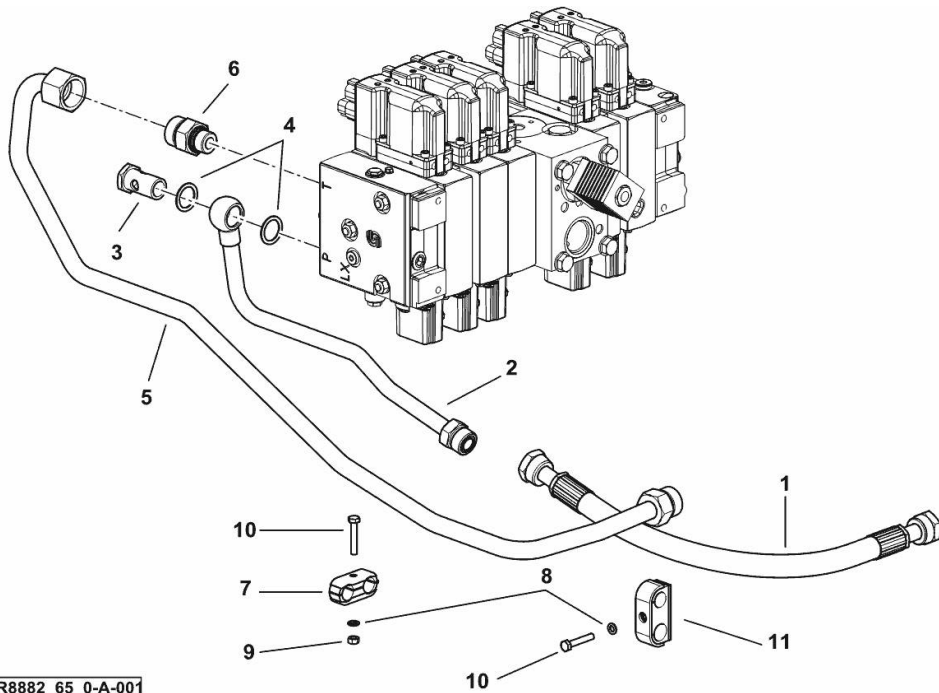
HYDRAULIC SYSTEM FOR SECOND PUMP

Fig.	P/n	QTY	Name
------	-----	-----	------

Notes:

- FOR TYPES WITH ELECTROHYDRAULIC REMOTE CONTROL VALVE [XM 120 T4i V-DRIVE]

1	0.017.8992.3	1	tube
2	0.017.8991.3	1	tube
3	2.3335.009.2	1	pipe union m 22 p.1.5 x 39
4	2.1560.018.0	2	gasket 22.2 x 29
5	0.017.8993.3	1	tube
6	2.3275.016.0	1	pipe fitting m 22
7	2.3321.020.0	1	collar Ø 16/16
8	2.1470.002.2	2	lock washer 6
9	2.1011.103.2	1	nut m 6 p.1
10	2.0112.013.2	2	screw m 6 p.1 x 35
11	2.3320.217.0	1	collar Ø 16/18



9_R8882_65_0-A-001

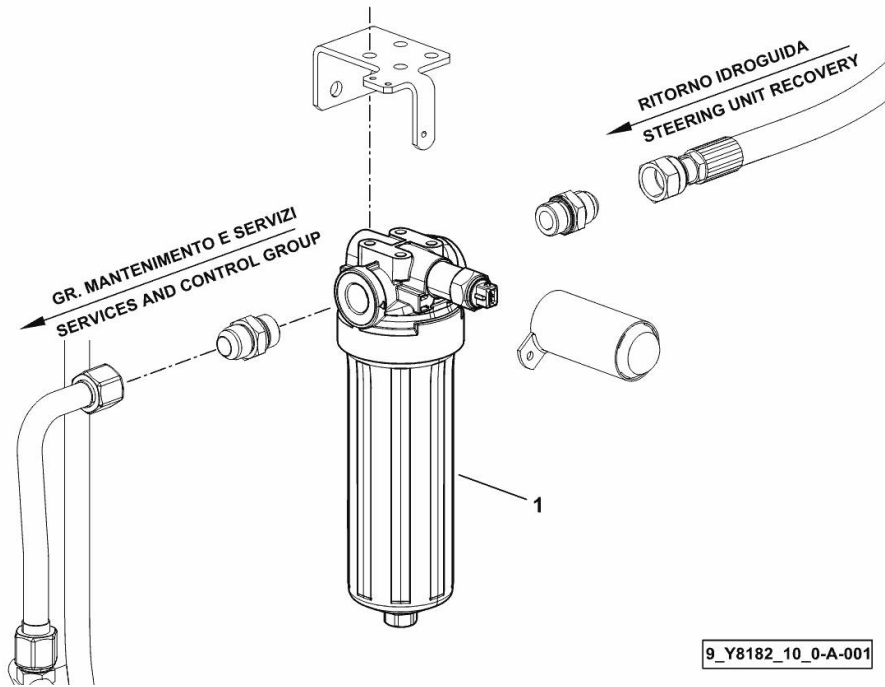
OIL PRESSURE LINE FILTER

Fig.	P/n	QTY	Name
------	-----	-----	------

Notes:

[XM 120 T4i V-DRIVE]

1	2.4419.813.0	1	oil filter 9" ☞ 2.4419.813.0
---	--------------	---	---------------------------------



<https://www.ebooklibonline.com>

Hello dear friend!

Thank you very much for reading.

Enter the link into your browser.

The full manual is available for immediate download.

<https://www.ebooklibonline.com>