

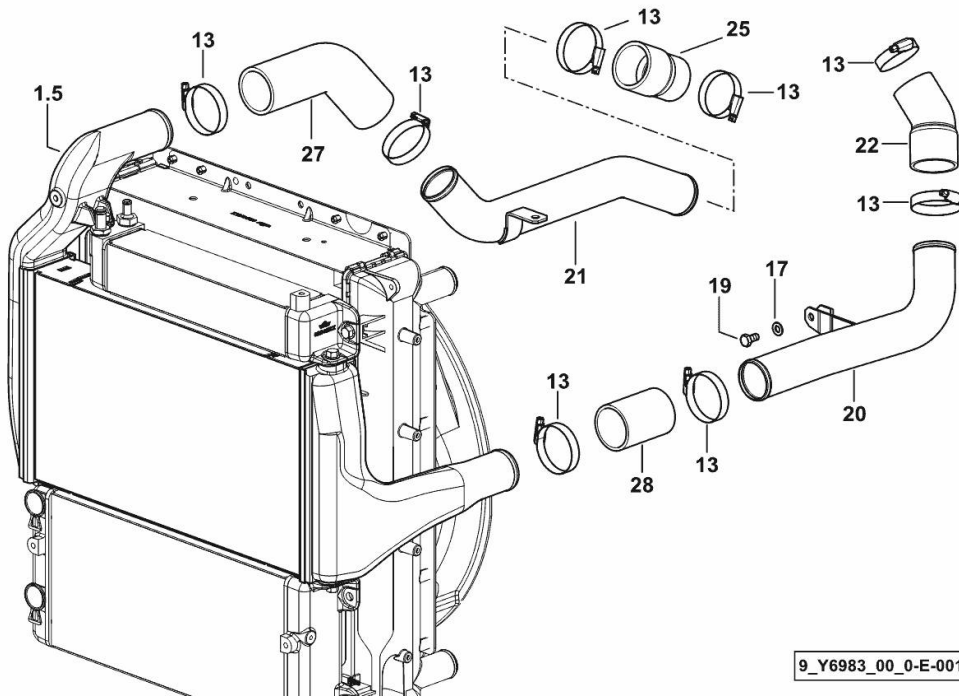
INTERCOOLER

Fig.	P/n	QTY	Name
------	-----	-----	------

Notes:

[XM 120 T4i HI-LEVEL -> ZKDBA502W0TH20001]

1.5	0.018.9381.3	1	intercooler
13	2.6851.005.0	10	clamp Ø 40/60
17	2.1310.004.2	4	flat washer 8.4x17
19	2.0112.205.2	6	screw m 8 p.1.25 x 16
20	0.019.0759.2	1	tube
21	0.019.0758.2	1	tube
22	0.019.0760.0/10	1	sleeve
25	0.019.0762.0	1	sleeve
27	0.019.0761.0	1	sleeve
28	0.015.5403.0	1	sleeve



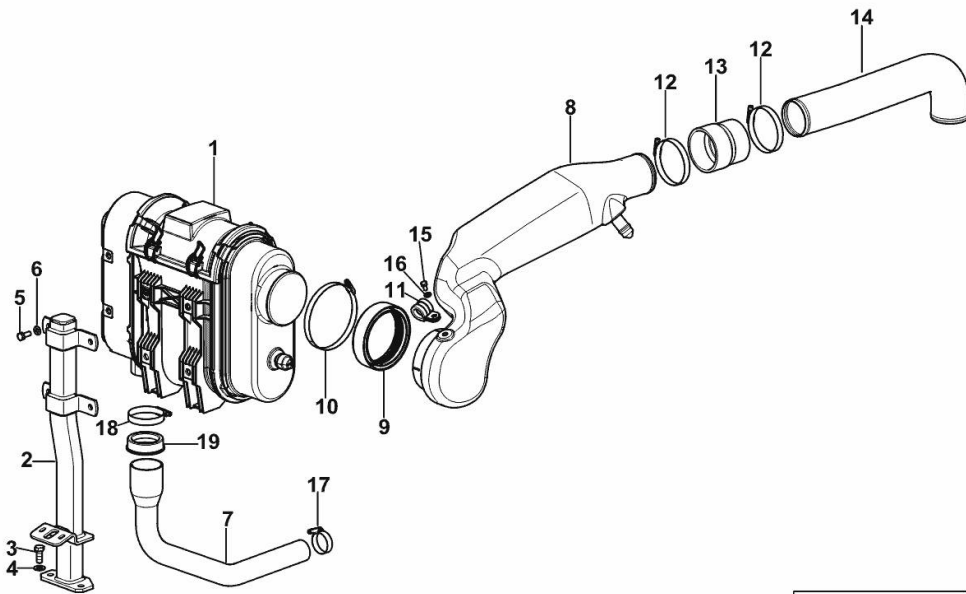
9_Y6983_00_0-E-001

XM 120 T4i HI-LEVEL -> ZKDBA502W0TH20001

Section: C0 - ENGINE ACCESSORIES

Ref: C0.02.2 (1)

9" AIR CLEANER WITH EJECTOR VALVE



9_Y7381_01_0-A-001

Fig.	P/n	QTY	Name
------	-----	-----	------

Notes:

[XM 120 T4i HI-LEVEL -> ZKDBA502W0TH20001]

1	2.4249.736.0	1	air filter 9" ☞ 2.4249.736.0
2	0.019.0705.2	1	support
3	2.0112.309.2	2	screw m 10 p.1.5 x 25
4	2.1310.006.2	2	flat washer 10.5x21
5	2.0112.207.2	3	screw m 8 p 1.25 x 20
6	2.1310.004.2	4	flat washer 8.4x17
7	0.019.0713.0	1	tube
8	0.019.0702.2	1	sleeve
9	0.019.0704.0	1	ring
10	2.6851.011.0	1	clamp Ø 100/120
11	2.6839.051.0	1	clamp 20/20
12	2.6851.008.0	3	clamp Ø 70/90
13	0.019.0703.0	1	sleeve
14	0.019.0701.0	1	tube
15	2.0112.003.2	1	screw m 6 p.1 x 12
16	2.1310.002.2	1	flat washer 6.4x12.5
17	2.6851.004.0	1	clamp Ø 32/50
18	2.6851.006.0	1	clamp Ø 50/70
19	0.014.5355.0/10	1	sleeve

XM 120 T4i HI-LEVEL -> ZKDBA502W0TH20001

Section: C0 - ENGINE ACCESSORIES

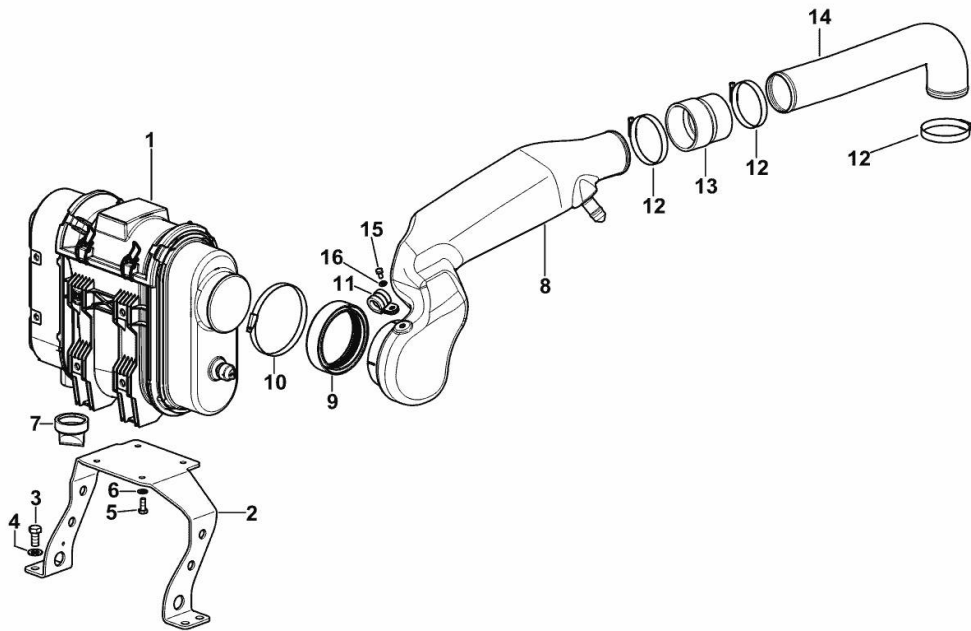
Ref: C0.02.3 (1)

AIR FILTER 9"

Fig.	P/n	QTY	Name
------	-----	-----	------

Notes:

- FOR TYPES W/ OR W/ PROVISION FOR FRONT LIFT/FRONT PTO [XM 120 T4i HI-LEVEL -> ZKDBA502W0TH20001]



1	2.4249.736.0	1	air filter 9" ☞ 2.4249.736.0
2	0.019.0700.0	1	bracket
3	2.0112.409.2	4	screw m 12 p.1.75 x 25
4	2.1310.007.2	4	flat washer 13 x 24
5	2.0112.207.2	3	screw m 8 p 1.25 x 20
6	2.1310.004.2	4	flat washer 8.4x17
7	0.015.9728.0	1	valve
8	0.019.0702.2	1	sleeve
9	0.019.0704.0	1	ring
10	2.6851.011.0	1	clamp Ø 100/120
11	2.6839.051.0	1	clamp 20/20
12	2.6851.008.0	3	clamp Ø 70/90
13	0.019.0703.0	1	sleeve
14	0.019.0701.0	1	tube
15	2.0112.003.2	1	screw m 6 p.1 x 12
16	2.1310.002.2	1	flat washer 6.4x12.5

9_Y6981_02_0-A-001

<https://www.ebooklibonline.com>

Hello dear friend!

Thank you very much for reading.

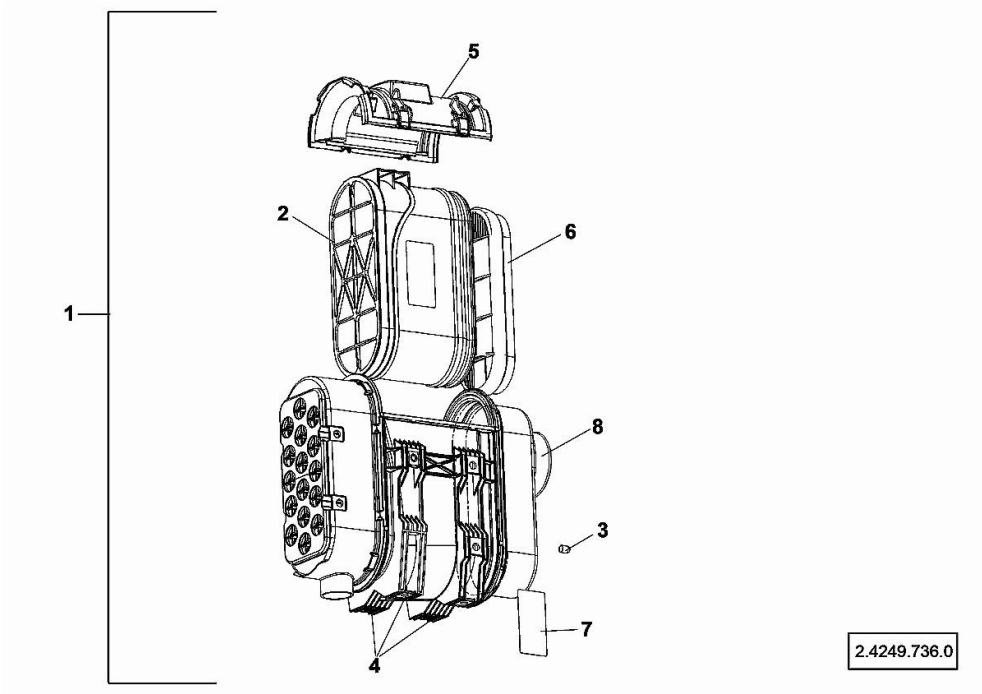
Enter the link into your browser.

The full manual is available for immediate download.

<https://www.ebooklibonline.com>

AIR CLEANER

Fig.	P/n	QTY	Name
1	2.4249.736.0	1	air filter 9"
2	0.900.0272.0	1	external air filter element
3	0.900.1456.7	1	cap
4	0.900.0272.4	3	clip
5	0.900.1409.6	1	cover
6	0.900.0272.1	1	internal air filter element
7	0.000.0000.1		cannot be supplied
8	0.000.0000.1		cannot be supplied

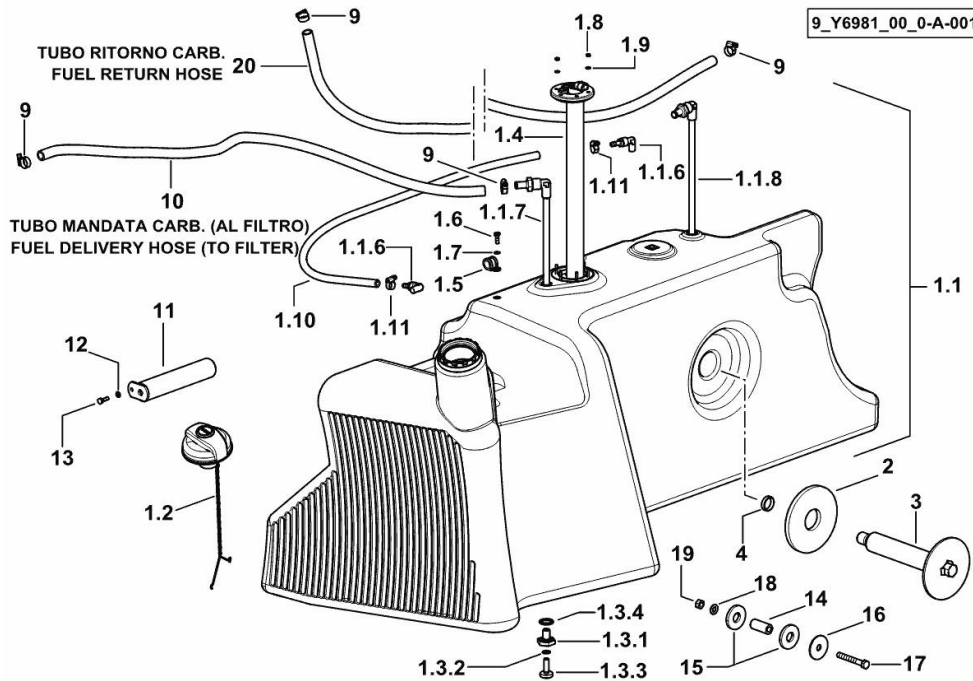


XM 120 T4i HI-LEVEL -> ZKDBA502W0TH20001

Section: C0 - ENGINE ACCESSORIES

Ref: C0.03.0 (1)

FUEL TANK & LINES



Notes:

[XM 120 T4i HI-LEVEL -> ZKDBA502W0TH20001]

Fig.	P/n	QTY	Name
1.1	0.019.1982.3/10	1	fuel tank
1.1.6	0.010.0749.0	2	breather
1.1.7	0.019.9325.3	1	tube
1.1.8	0.016.3795.3	1	tube
1.2	0.019.9407.4	1	plug
1.3.1	0.016.9607.0	1	plug m10
1.3.2	2.1560.006.0	1	gasket 10.2 x 16
1.3.3	0.016.9605.0	1	plug m14
1.3.4	2.1539.040.0	1	special oil seal 21.82 x 3.53
1.4	2.7059.011.0/10	1	level indicator
1.5	2.6839.066.0/10	1	clamp 16
1.6	2.0112.006.2	1	screw m 6 p.1 x 18
1.7	2.1470.002.2	1	lock washer 6
1.8	2.1011.101.2	6	nut
1.9	2.1310.028.2	6	flat washer
1.10	0.012.6451.0	1.06	tube Ø mm 8/15
1.11	2.6851.018.0	2	clamp Ø11/17
2	0.010.6927.0/10	1	shim
3	0.014.3176.2/10	1	pin
4	2.1549.334.2	1	spacer 26x30x8
9	2.6851.019.0	4	clamp Ø 13/20
10	0.012.6450.0	1.15	tube Ø mm 13/20
11	0.014.8587.2	1	pin
12	2.1470.002.2	1	lock washer 6
13	2.0112.007.2	1	screw m 6 p.1 x 20
14	2.1549.328.2	1	spacer 10.5x20x45
15	2.1569.161.0	2	gasket 20x50x6
16	2.1599.354.2	1	washer 12.5x50x3
17	2.0112.324.2	1	screw m 10 p.1.5x75
18	2.1310.006.2	1	flat washer 10.5x21
19	2.1011.106.2	1	nut m 10 p.1.5
20	0.012.6450.0	1.72	tube Ø mm 13/20

FUEL TANK FIXING PARTS

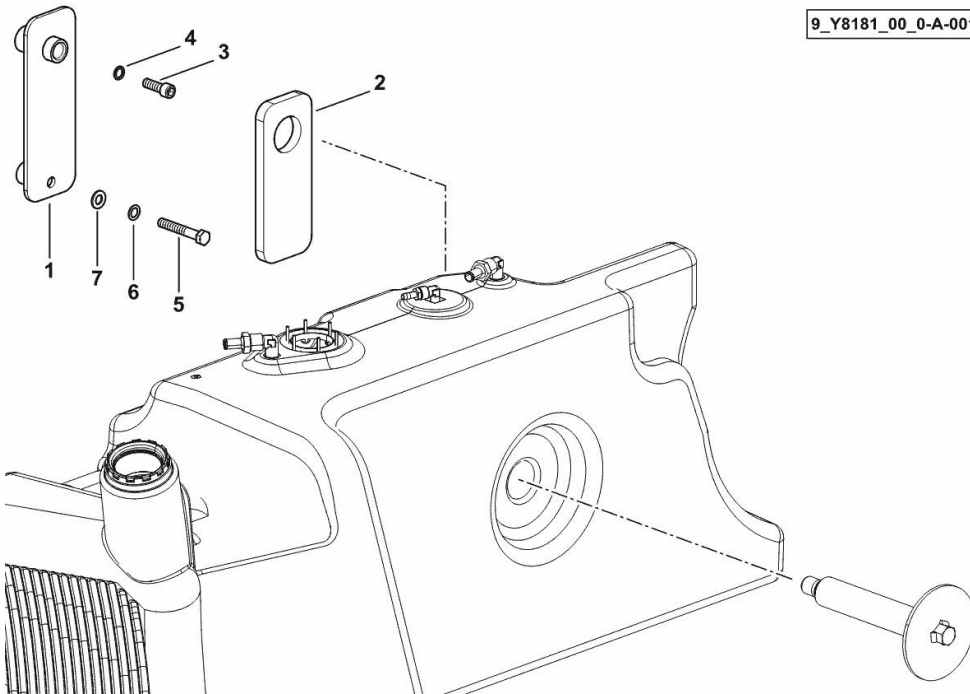
Fig.	P/n	QTY	Name
------	-----	-----	------

Notes:

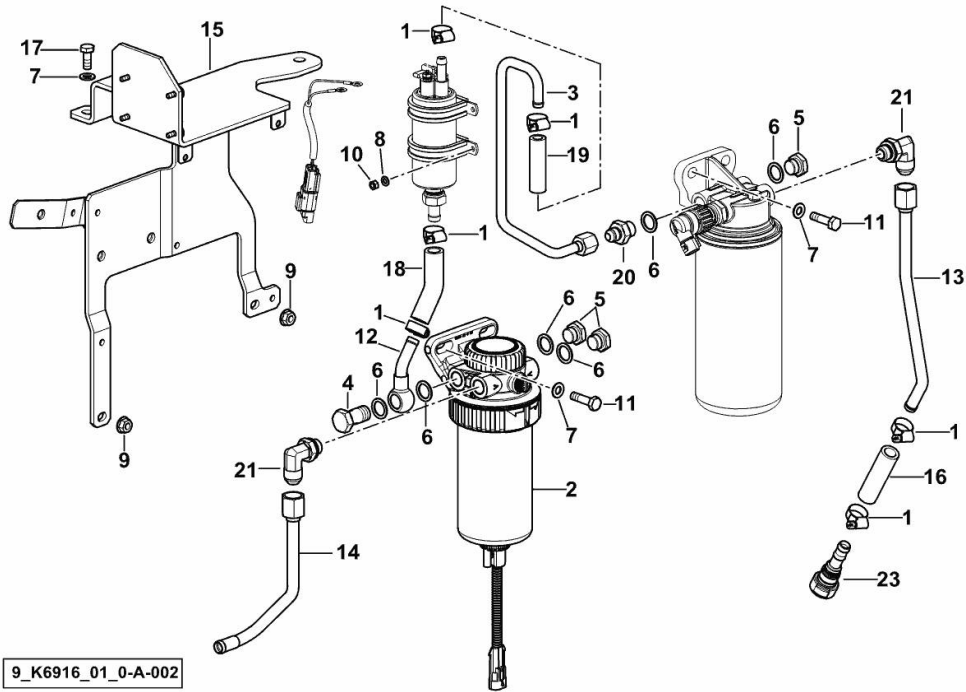
[XM 120 T4i HI-LEVEL -> ZKDBA502W0TH20001]

1	0.019.2969.2/10	1	tank support
2	0.019.2974.0	1	shim
3	2.0312.412.2	1	screw m 12 p.1.75x35
4	2.1480.016.2	1	washer 12
5	2.0112.424.2	1	screw m 12 p.1.75x75
6	2.1470.007.2	1	lock washer 12
7	2.1310.007.2	1	flat washer 13 x 24

9_Y8181_00_0-A-001



FUEL PRELIMINARY FILTER



9_K6916_01_0-A-002

Fig.	P/n	QTY	Name
------	-----	-----	------

Notes:

[XM 120 T4i HI-LEVEL -> ZKDBA502W0TH20001]

1	2.6851.019.0	6	clamp Ø 13/20
2	2.4319.316.0/10	1	precleaner ☞ 2.4319.316.0/10
3	0.020.7099.3	1	tube
4	2.3332.005.2	1	pipe fitting m 16 p.1.5
5	2.3110.404.2	3	plug m 16 p.1.5
6	2.1560.012.0	6	gasket 16.2 x 22
7	2.1310.004.2	5	flat washer 8.4x17
8	2.1310.001.2	4	flat washer 5.3 x 10
9	2.1071.004.2	2	special nut m 8
10	2.1011.102.2	4	nut m 5 p.0.7
11	2.0112.211.2	4	screw m 8 p.1.25 x 30
12	0.019.1475.3/10	1	tube
13	0.021.2676.3	1	tube
14	0.020.6903.3	1	tube
15	0.019.0960.3/10	1	bracket
16	0.012.6450.0	0.07	tube Ø mm 13/20
17	2.0112.207.2	1	screw m 8 p 1.25 x 20
18	0.012.6450.0	0.08	tube Ø mm 13/20
19	0.012.6449.0	0.06	tube
20	2.3261.007.2	1	pipe fitting m 16 p.1.5-9/16"
21	2.3264.011.2	2	pipe fitting
23	0.021.3780.0	1	connection

XM 120 T4i HI-LEVEL -> ZKDBA502W0TH20001

Section: C0 - ENGINE ACCESSORIES

Ref: C0.03.3 (1)

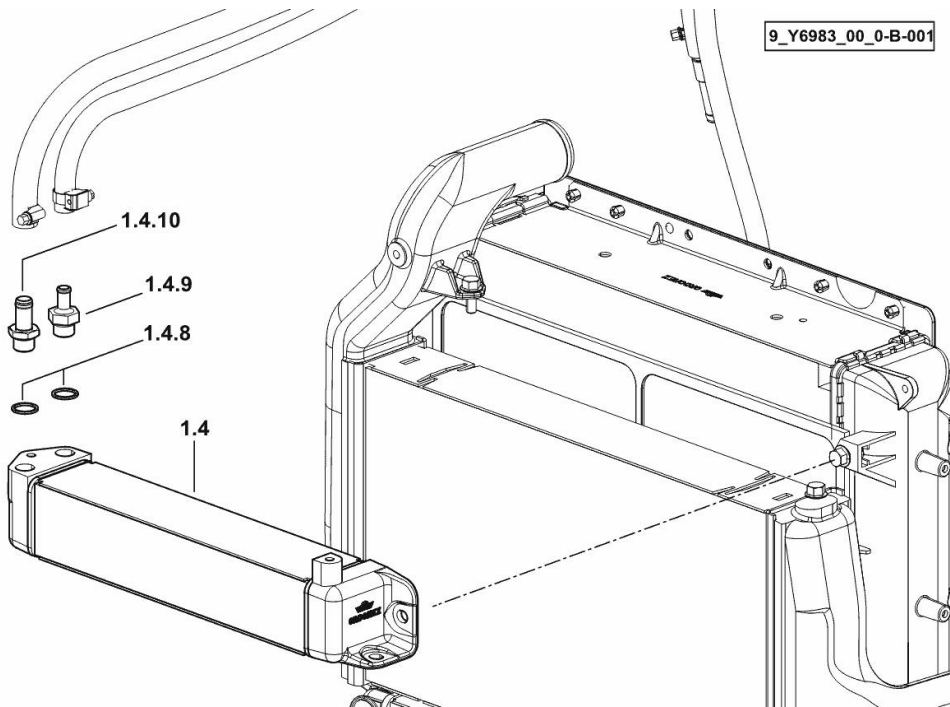
FUEL COOLER

Fig.	P/n	QTY	Name
------	-----	-----	------

Notes:

[XM 120 T4i HI-LEVEL -> ZKDBA502W0TH20001]

1.4	0.018.9384.3	1	radiator
1.4.8	2.1560.053.0	2	gasket 17 x 21
1.4.9	2.3249.373.0	1	pipe fitting 3/8"
1.4.10	2.3249.085.2/10	1	pipe fitting 3/8" gas



XM 120 T4i HI-LEVEL -> ZKDBA502W0TH20001

Section: C0 - ENGINE ACCESSORIES

Ref: C0.03.4 (1)

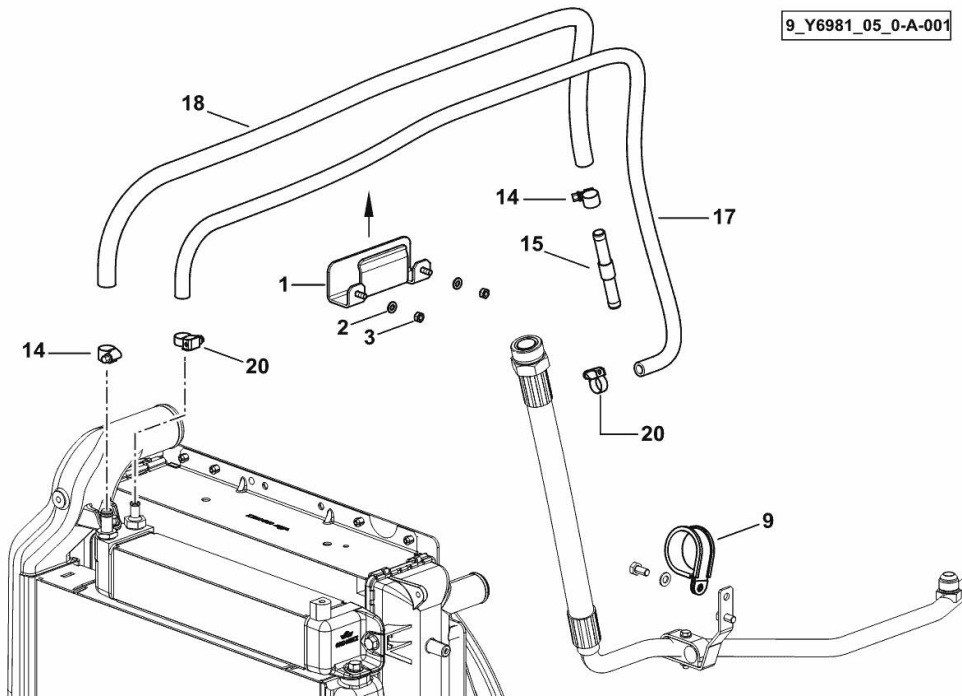
FUEL COOLER PIPES

Fig.	P/n	QTY	Name
------	-----	-----	------

Notes:

[XM 120 T4i HI-LEVEL -> ZKDBA502W0TH20001]

1	0.019.1931.3	1	channel
2	2.1310.002.2	2	flat washer 6.4x12.5
3	2.1011.103.2	2	nut m 6 p.1
9	2.6839.073.2	1	clamp 45
14	2.6851.001.0	2	clamp Ø 16/25
15	0.015.8420.0	1	pipe fitting
17	0.012.6449.0	1,32	tube
18	0.012.6450.0	1,2	tube Ø mm 13/20
20	2.6851.019.0	2	clamp Ø 13/20



FUEL TANK PIN

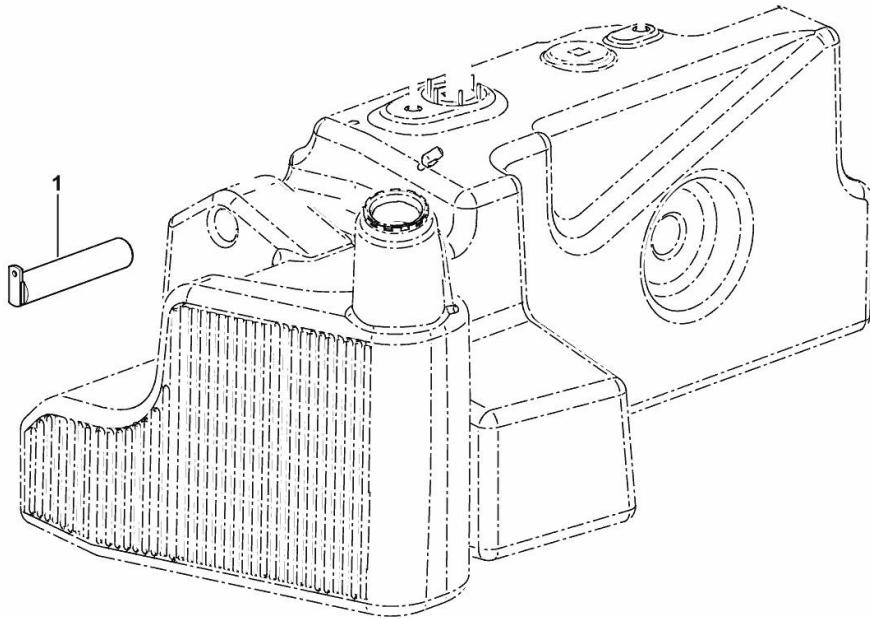
Fig.	P/n	QTY	Name
------	-----	-----	------

Notes:

KIT LIGHT [XM 120 T4i HI-LEVEL -> ZKDBA502W0TH20001]

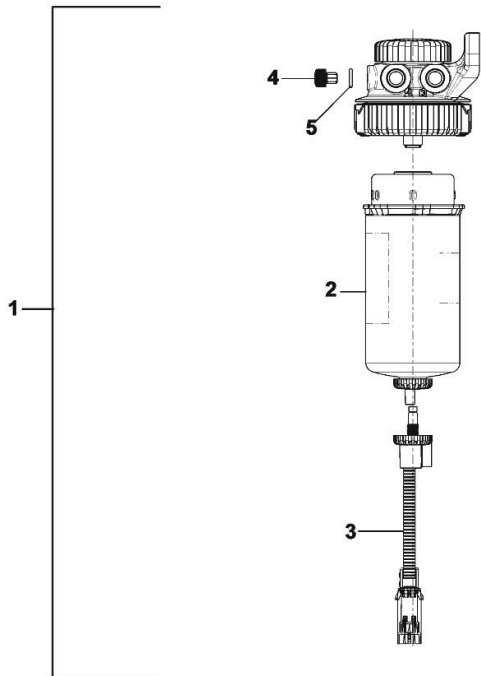
1	0.020.4289.2	1	pin
---	--------------	---	-----

9_Y6981_04_0-A-001



PREFILTER

Fig.	P/n	QTY	Name
1	2.4319.316.0/10	1	precleaner
2	0.900.2043.4	1	filter
3	0.900.2261.4	1	clogging warning ind.
4	0.900.0864.3	1	screw
5	0.900.0789.8	1	ring



2.4319.316.0_10



Suggest:

For more complete manuals. Please go to the home page.

<https://www.ebooklibonline.com>

If the above button click is invalid. Please download this document first, and then click the above link to download the complete manual.

Thank you so much for reading

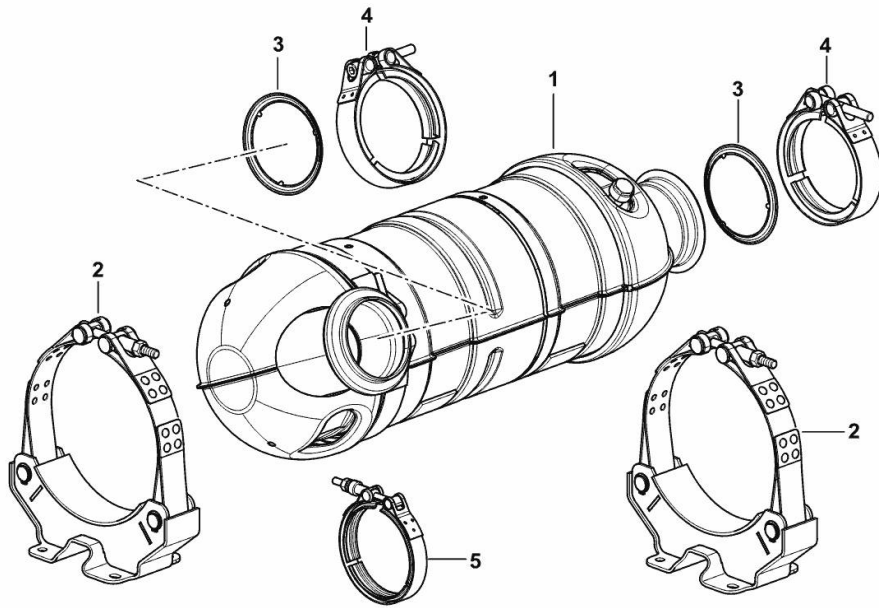
EXHAUST SYSTEM

Fig.	P/n	QTY	Name
------	-----	-----	------

Notes:

[XM 120 T4i HI-LEVEL -> ZKDBA502W0TH20001]

1	01980210	1	silencer
2	04603276	2	fascia
3	04600004	2	gasket
4	04603585	2	clamp
5	04602018	1	gasket



9_K7119_10_0-A-001

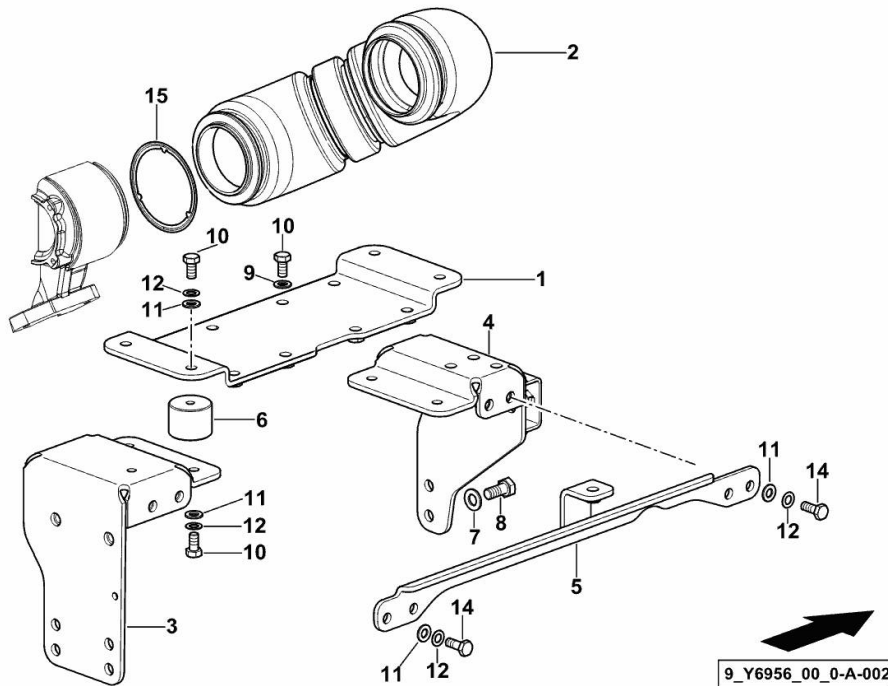
EXHAUST SYSTEM

Fig.	P/n	QTY	Name
------	-----	-----	------

Notes:

[XM 120 T4i HI-LEVEL -> ZKDBA502W0TH20001]

1	0.019.9148.3/10	1	plate
2	0.018.9834.3/10	1	tube
3	0.019.9155.3/10	1	bracket
4	0.019.9179.3/20	1	bracket
5	0.019.9149.3/10	1	bracket
6	0.021.1192.0	4	spacer
7	2.1475.003.2	2	washer 10
8	2.0112.308.2	2	screw m 10 p.1.5x22
9	2.1475.002.2	8	conical washer 8
10	2.0112.205.2	16	screw m 8 p.1.25 x 16
11	2.1310.004.2	12	flat washer 8.4x17
12	2.1470.004.2	12	lock washer 8
14	2.0112.207.2	4	screw m 8 p 1.25 x 20
15	0.019.7817.0	1	gasket



<https://www.ebooklibonline.com>

Hello dear friend!

Thank you very much for reading.

Enter the link into your browser.

The full manual is available for immediate download.

<https://www.ebooklibonline.com>