

XM 115 HI-LEVEL DCR ->ZKDL490200TH15001

Section: B0 - ENGINE

Ref: B0.00.3 (1)

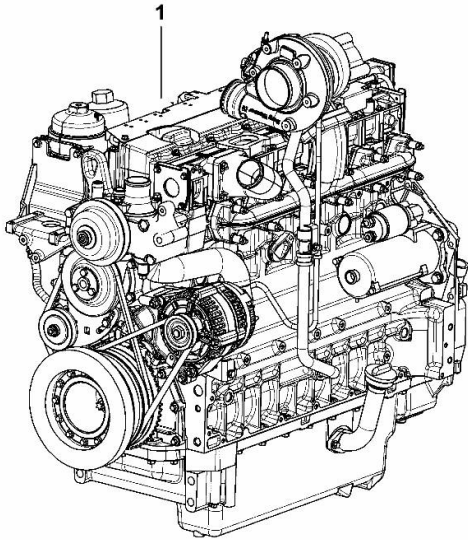
ENGINE TCD 2012 L06 2V DCR

Fig.	P/n	QTY	Name
------	-----	-----	------

Notes:

[XM 115 DCR HI-LEVEL ->ZKDL490200TH15001]

1	25007698	1	engine TCD 2012 L06 2V DCR ON ORDERING PLEASE ENGINE NO. REQUIRED
---	----------	---	---



9_03119_01_0-A-001

FASTENINGS

Fig.	P/n	QTY	Name
------	-----	-----	------

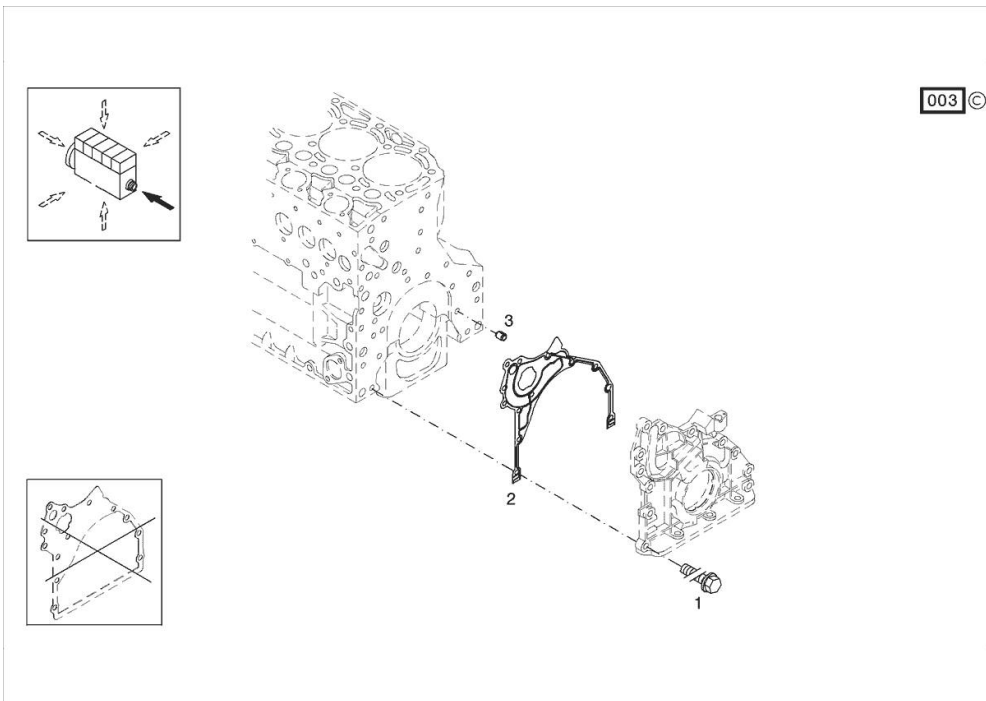
Notes:

[XM 115 DCR HI-LEVEL ->ZKDL490200TH15001]

Engine serial number:

10735604 10735613 10853864

1	01183645	12	screw EN 1662 -F-M8X35-10.9-ZNAL-A
2	04504325	1	gasket
3	01181406	1	bushing H 2341 -B11X8-FE/ZN12C*



SERIE GUARNIZIONI

Fig.	P/n	QTY	Name
------	-----	-----	------

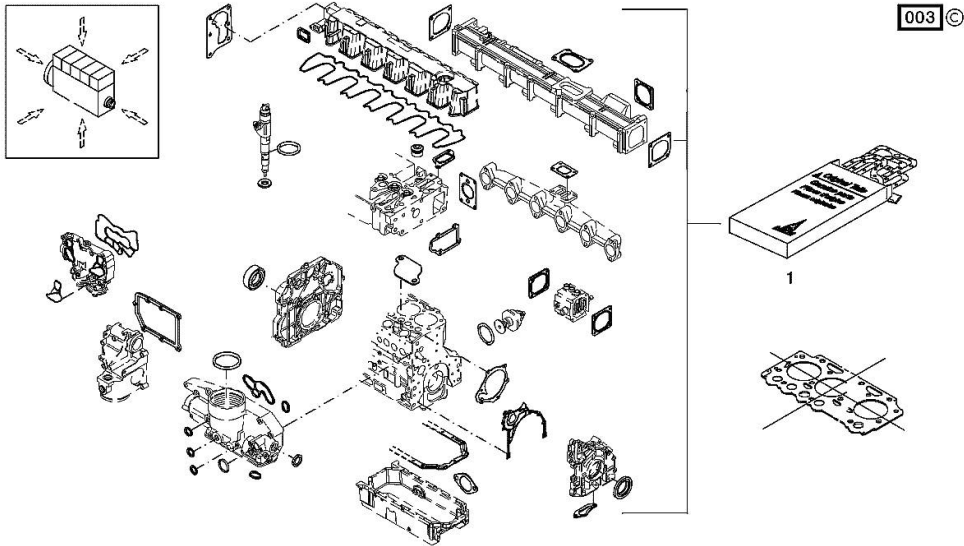
Notes:

[XM 115 DCR HI-LEVEL ->ZKDL490200TH15001]

Engine serial number:

10735604 10735613 10853864

1	02937588	1	gasket set THE KIT DOES NOT CONTAIN ALL THE GASKETS: SEE SM 0199-99-9449
---	----------	---	--



<https://www.ebooklibonline.com>

Hello dear friend!

Thank you very much for reading.

Enter the link into your browser.

The full manual is available for immediate download.

<https://www.ebooklibonline.com>

BLEEDING TUBE

Fig.	P/n	QTY	Name
------	-----	-----	------

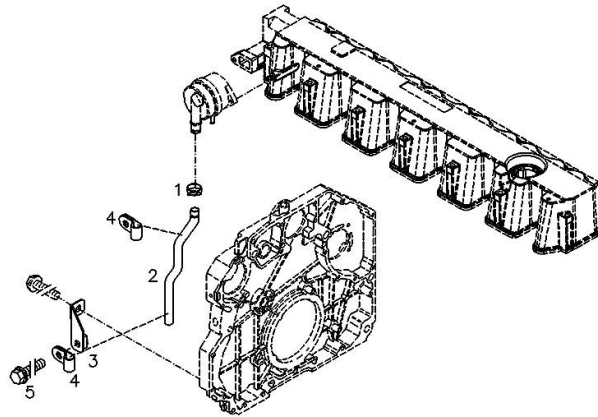
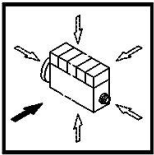
Notes:

[XM 115 DCR HI-LEVEL ->ZKDL490200TH15001]

Engine serial number:

10735604 10735613 10853864

1	01178750	1	clamp DIN 3021 -A-29X15
2	04290751	1	tube
3	04291288	1	bracket
4	01173523	2	fascia DIN 3016 -1-A1-25X20-W1-2
5	01181433	2	screw EN 1662 -F-M8X20-LG2,5-10.9-ZNAL-A



000 ©

ACCESSORIES

Fig.	P/n	QTY	Name
------	-----	-----	------

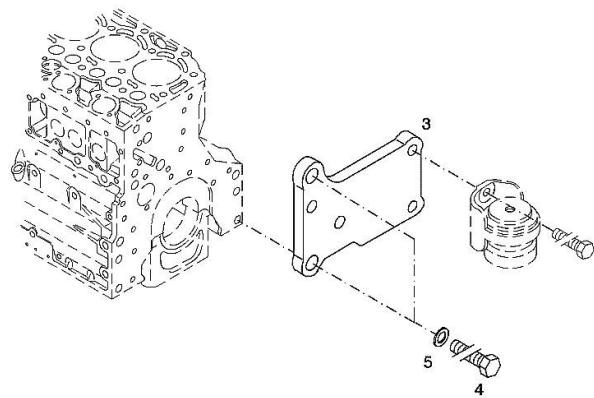
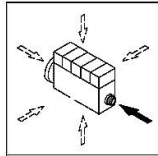
Notes:

[XM 115 DCR HI-LEVEL ->ZKDL490200TH15001]

Engine serial number:

10735604 10735613 10853864

3	04288659	1	support
4	01148261	2	screw ISO 4017 -M16X40-10.9-ZNAL-A
5	01181400	2	washer H 2308 -18X25X1,5-A4C



ACCESSORIES

Fig.	P/n	QTY	Name
------	-----	-----	------

Notes:

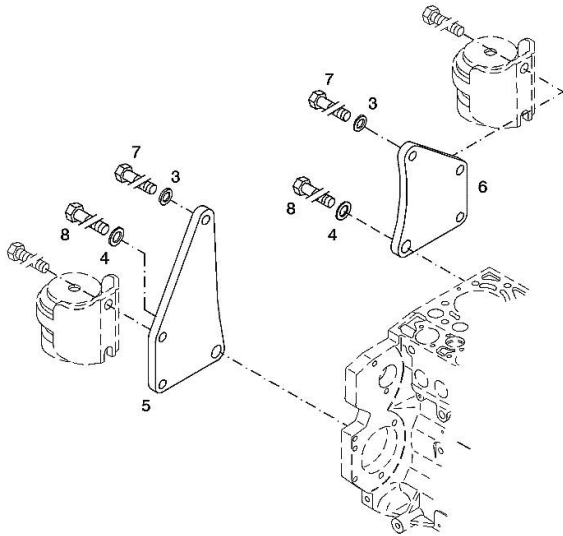
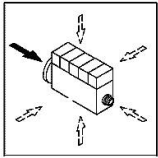
[XM 115 DCR HI-LEVEL ->ZKDL490200TH15001]

Engine serial number:

10735604 10735613 10853864

003 ©

3	01182016	2	disc H 2308 -13X24X3-ZNAL-A
4	01181400	2	washer H 2308 -18X25X1,5-A4C
5	04206926	1	plate dx/rh/re
6	04206927	1	plate sx/lh/li
7	01148137	2	screw - UP TO MONTH OF ASSEMBLY (A) - FROM MONTH OF ASSEMBLY SEE POS. (B) A = 06.2009 B = POS. 950 DIN 931 -M12X75-10.9-ZNAL-A
8	01148037	2	screw UP TO MONTH OF ASSEMBLY (A) - FROM MONTH OF ASSEMBLY SEE POS. (B) A = 06.2009 B = POS. 951 ISO 4014 -M16X75-10.9-OELGESCHW
950	01149017	2	screw - FROM MONTH OF ASSEMBLY SEE POS. (B) - UP TO MONTH OF ASSEMBLY (A) FROM MONTH OF ASSEMBLY A = 07.2009 B = 7
951	01180235	2	screw - FROM MONTH OF ASSEMBLY SEE POS. (B) - UP TO MONTH OF ASSEMBLY (A) FROM MONTH OF ASSEMBLY A = 07.2009 B= Pos.8 DIN 34800 -BM12X75-10.9-ZNAL-A H 2032 -HBM16X75-10.9-GESCHW



OIL FILLER NECK

Fig.	P/n	QTY	Name
------	-----	-----	------

Notes:

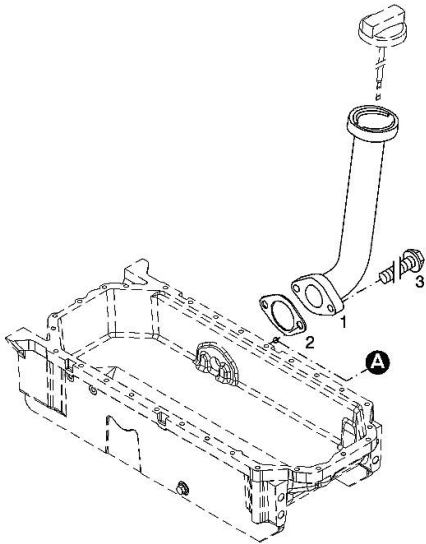
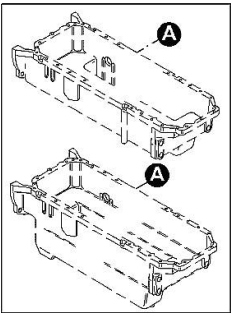
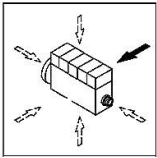
[XM 115 DCR HI-LEVEL ->ZKDL490200TH15001]

Engine serial number:

10735604 10735613 10853864

1	04207099	1	tube
2	01178421	1	gasket
3	01181433	2	screw
			30 Nm

001 ©



XM 115 HI-LEVEL DCR ->ZKDL490200TH15001

Section: B0 - ENGINE

Ref: B0.01.12

CRANKCASE BREATHER

Fig.	P/n	QTY	Name
------	-----	-----	------

Notes:

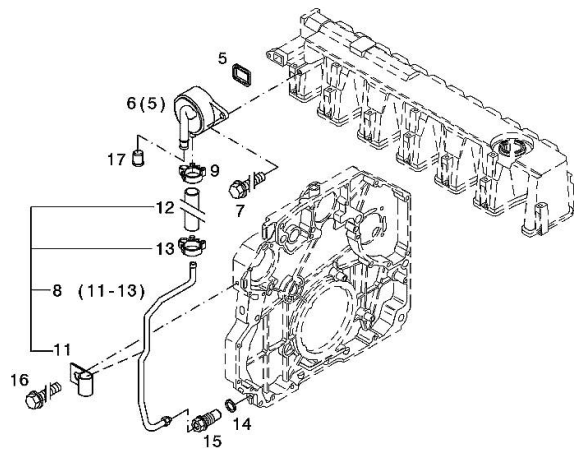
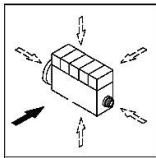
[XM 115 DCR HI-LEVEL ->ZKDL490200TH15001]

Engine serial number:

10735604 10735613

002 ©

5	04298547	1	rubber plug
6	04905110	1	breather WITH POS.... (5)
7	01181432	2	screw m8x30 EN 1662 -F-M8X30-10.9-ZNAL-A
8	04504876	1	tube WITH POS.... 11-13
9	01182878	1	fascia H 3461 -F-13,0/8
11	02144961	1	fascia
12	04288507	1	rubber tube H 3407 -F8X14X57-EAM/ARAMID/EAM
13	01182878	1	fascia H 3461 -F-13,0/8
14	01118737	1	oil seal 22 x 27 DIN 7603 -A22X27-CU
15	04505853	1	pipe union
16	01181442	1	screw m6x12 EN 1662 -F-M6X12-10.9-ZNAL-A
17	01161302	1	bottom H 2873 -A25,5X22,8X17-PEWEICH



CRANKCASE BREATHER

Fig.	P/n	QTY	Name
------	-----	-----	------

Notes:

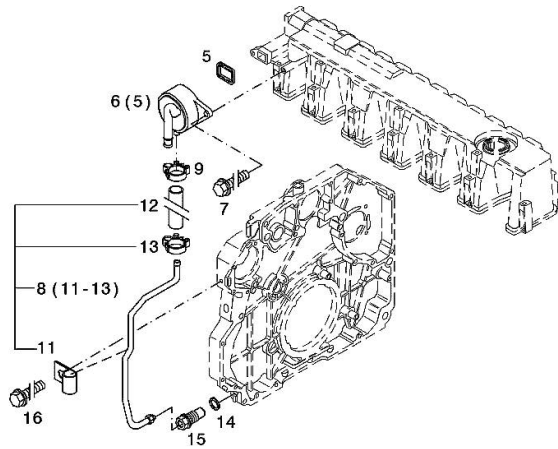
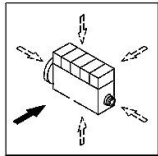
[XM 115 DCR HI-LEVEL ->ZKDL490200TH15001]

Engine serial number:

10853864

5	04298547	1	rubber plug
6	04905110	1	breather WITH POS.... (5)
7	01181432	2	screw m8x30 EN 1662 -F-M8X30-10.9-ZNAL-A
8	04504876	1	tube WITH POS.... 11-13
9	01182878	1	fascia H 3461 -F-13,0/8
11	02144961	1	fascia
12	04288507	1	rubber tube H 3407 -F8X14X57-EAM/ARAMID/EAM
13	01182878	1	fascia H 3461 -F-13,0/8
14	01118737	1	oil seal 22 x 27 DIN 7603 -A22X27-CU
15	04505853	1	pipe union
16	01181442	1	screw m6x12 EN 1662 -F-M6X12-10.9-ZNAL-A

000 ©



ACCESSORIES

Fig.	P/n	QTY	Name
------	-----	-----	------

Notes:

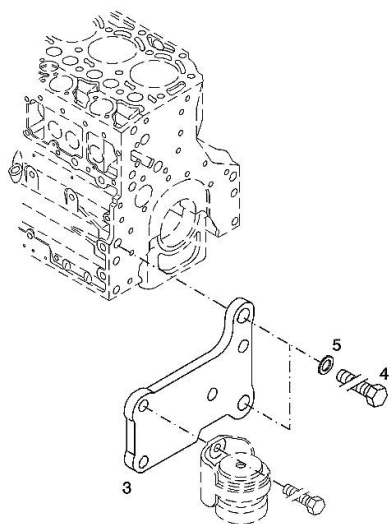
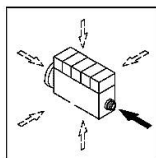
[XM 115 DCR HI-LEVEL ->ZKDL490200TH15001]

Engine serial number:

10735604 10735613 10853864

3	04288660	1	support
4	01148261	2	screw ISO 4017 -M16X40-10.9-ZNAL-A
5	01181400	2	washer H 2308 -18X25X1,5-A4C

003 ©



XM 115 HI-LEVEL DCR ->ZKDL490200TH15001

Section: B0 - ENGINE

Ref: B0.01.15

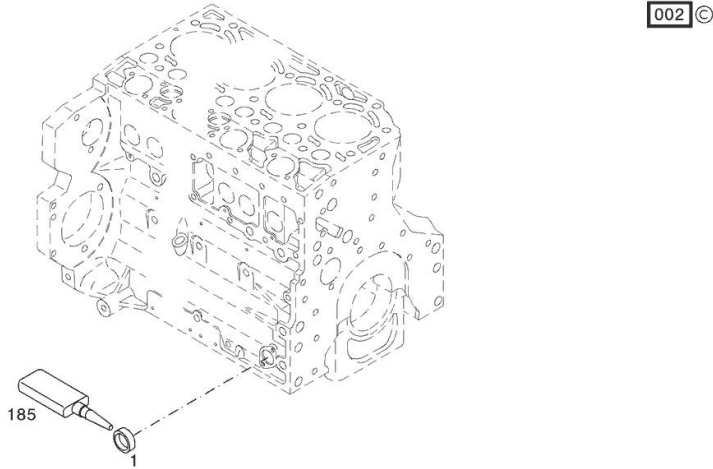
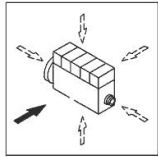
PLUG

Fig.	P/n	QTY	Name
------	-----	-----	------

Notes:

[XM 115 DCR HI-LEVEL ->ZKDL490200TH15001]

1	01148031	1	plug DIN 443 -A36-ZNPHR
185	01319911	1	sealing compound ml. 50



FILLER CAP

Fig.	P/n	QTY	Name
------	-----	-----	------

Notes:

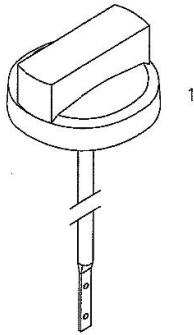
[XM 115 DCR HI-LEVEL ->ZKDL490200TH15001]

Engine serial number:

10735604 10735613 10853864

1	01180286	1	plug H 2875 -B2-OL40-166X4-130X12
---	----------	---	--------------------------------------

000



PISTON COOL.NOZZLE

Fig.	P/n	QTY	Name
------	-----	-----	------

Notes:

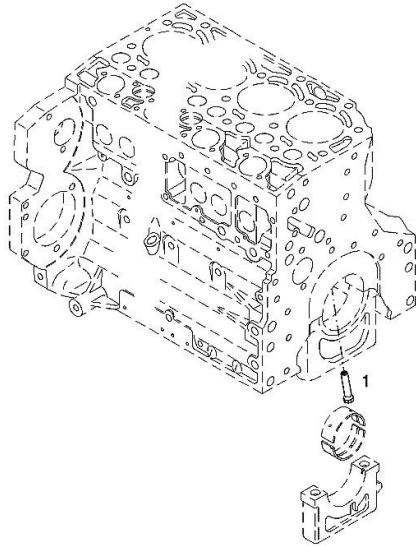
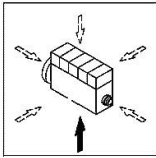
[XM 115 DCR HI-LEVEL ->ZKDL490200TH15001]

Engine serial number:

10735604 10735613 10853864

1	04207521	1	sprayers
---	----------	---	----------

001 ©



XM 115 HI-LEVEL DCR ->ZKDL490200TH15001

Section: B0 - ENGINE

Ref: B0.01.18

KURBELGEHAEUSE

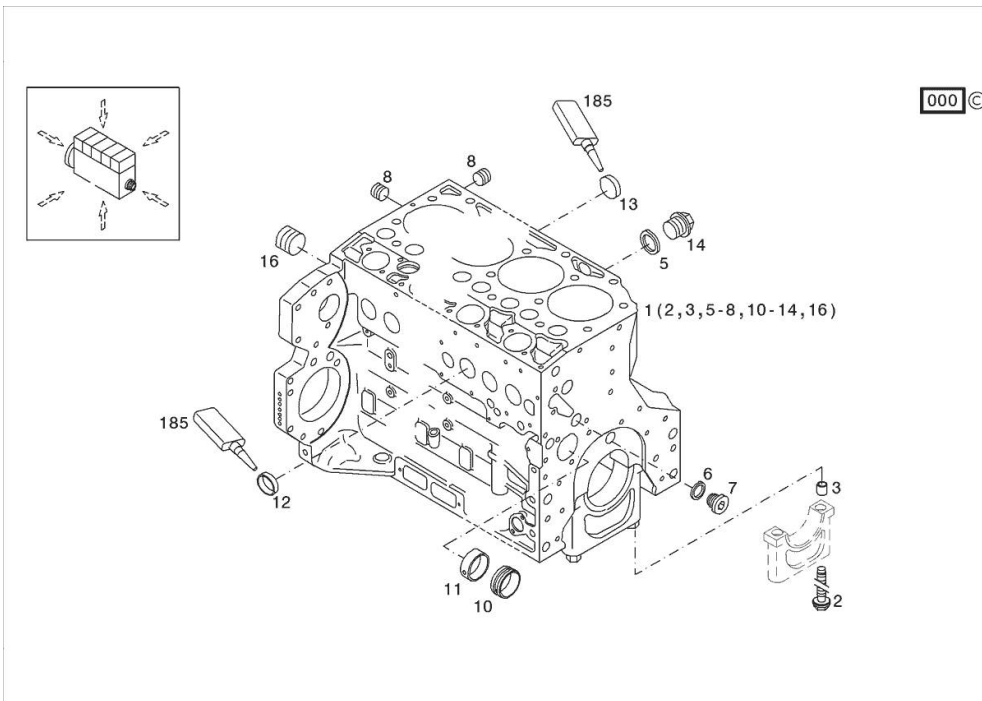
Fig.	P/n	QTY	Name
------	-----	-----	------

Notes:

[XM 115 DCR HI-LEVEL ->ZKDL490200TH15001]

Engine serial number:

10735604 10735613 10853864



185	01319910	1	guard
1	04296586	1	crankcase kpl. MIT POS.... WITH ITEM.... (2,3,5-8,10-14,16)
2	04254240	14	screw 50 Nm , 90° , 90°
3	04160764	14	bushing
5	01118693	2	gasket 14x20 DIN 7603 -A14X20-CU
6	01101342	1	oil seal DIN 7603 -D22X27-CU
7	04292706	1	plug 80 Nm
8	01182031	2	screw 35 Nm H 2812 -906-M14X1,5-ST-A3C-LOCTITE506
10	04251884	6	plug
11	04250086	1	ring
12	01148032	9	cover DIN 443 -A45-ZNPHR
13	01148031	6	plug DIN 443 -A36-ZNPHR
14	01100940	2	screw 35 Nm DIN 7604 -AM14X1,5-ST-A4C
16	04226536	1	bottom 30 Nm



Suggest:

For more complete manuals. Please go to the home page.

<https://www.ebooklibonline.com>

If the above button click is invalid. Please download this document first, and then click the above link to download the complete manual.

Thank you so much for reading

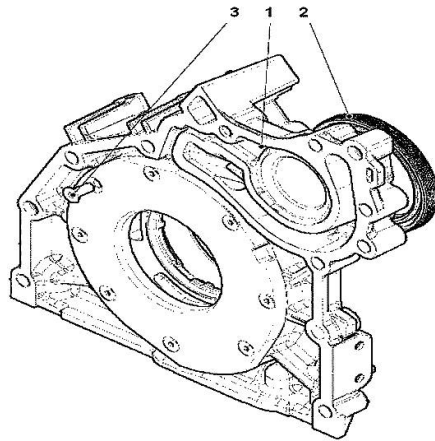
FLANGE

Fig.	P/n	QTY	Name
------	-----	-----	------

Notes:

[XM 115 DCR HI-LEVEL ->ZKDL490200TH15001]

1	04502445	1	oil pump WITH POS.... (2,3)
2	04502202	1	special oil seal
3	01133718	8	screw 8.5 Nm DIN 7991 -M6X16-8.8-A4C



000

XM 115 HI-LEVEL DCR ->ZKDL490200TH15001

Section: B0 - ENGINE

Ref: B0.01.28

CLOSING COMPONENTS

Fig.	P/n	QTY	Name
------	-----	-----	------

Notes:

[XM 115 DCR HI-LEVEL ->ZKDL490200TH15001]

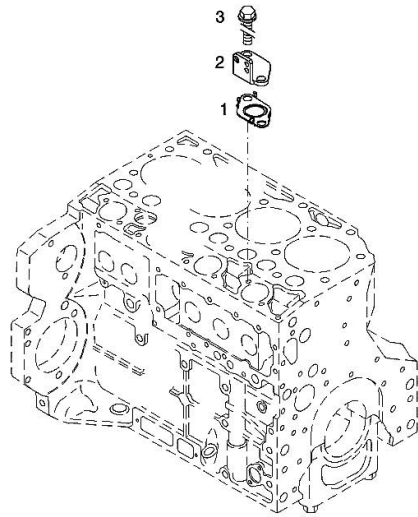
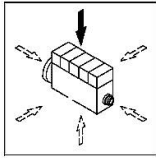
Engine serial number:

10735604 10735613 10853864

1	04292757	1	gasket
2	04292113	1	bracket
3	01181436	2	screw

EN 1662 -F-M8X16-LG2,5-10.9-ZNAL-A

000 ©



<https://www.ebooklibonline.com>

Hello dear friend!

Thank you very much for reading.

Enter the link into your browser.

The full manual is available for immediate download.

<https://www.ebooklibonline.com>