

**SERVICE BRAKES - 2095 009 056**

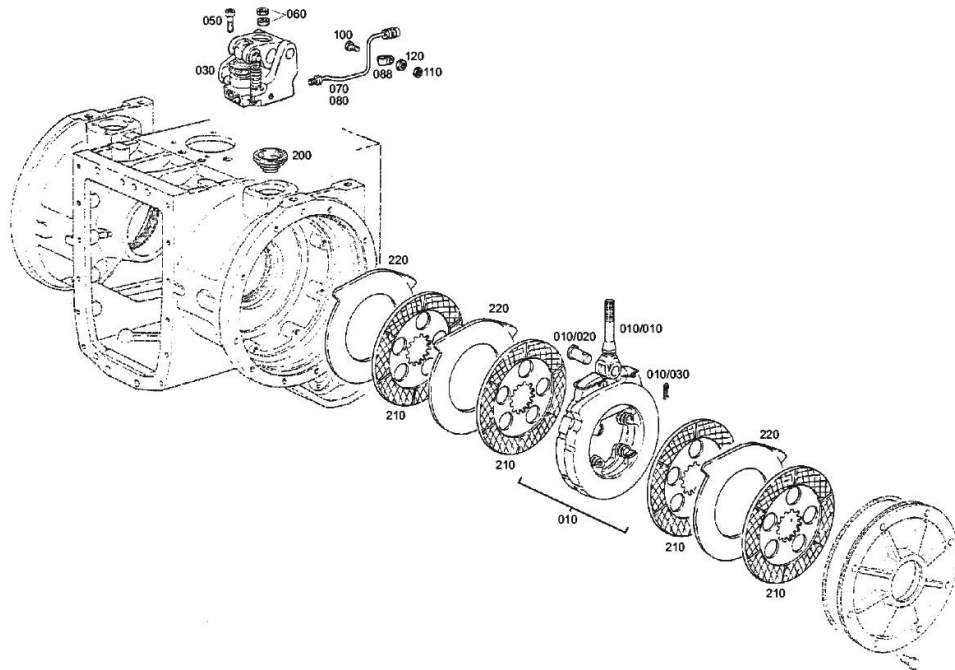


Fig.	P/n	QTY	Name
10	0.900.0800.4	2	transmission brake
10.10	04428551	1	rod
10.20	04435740	1	pin
10.30	04435741	1	split pin
20	0.900.1405.6	4	plug -> (...)
25	0.010.2627.1	4	oil seal 11x2 -> (...)
30	0.900.0800.5	2	operation
50	0.900.0469.7	6	screw m 10 x 40
60	04434557	4	nut m 14 p.1.5
70	04428558	1	tube sx/lh/li
80	04428559	1	tube dx/rh/re
88	0.900.0468.2	2	clamp 6x12
100	0.900.0280.1	2	screw m 5 x 25
110	0.900.0470.2	2	nut m 5
120	0.900.0281.6	2	nut
200	0.900.0800.9	2	rubber bushing
210	0.900.0801.2	8	disc
220	0.900.0801.3	6	disc

**BRAKE CONTROLS - 2095 009 056**

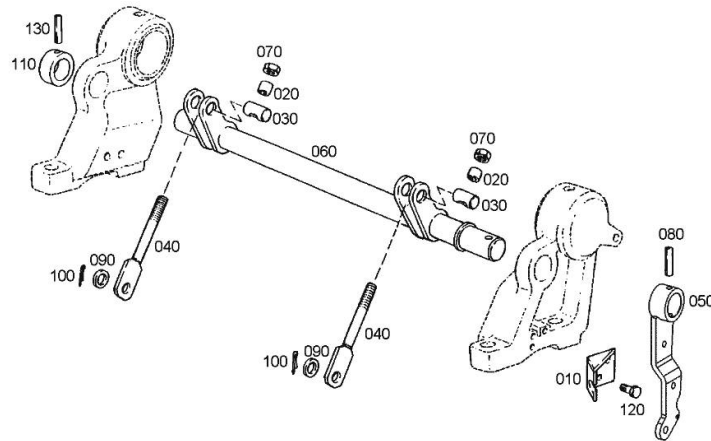
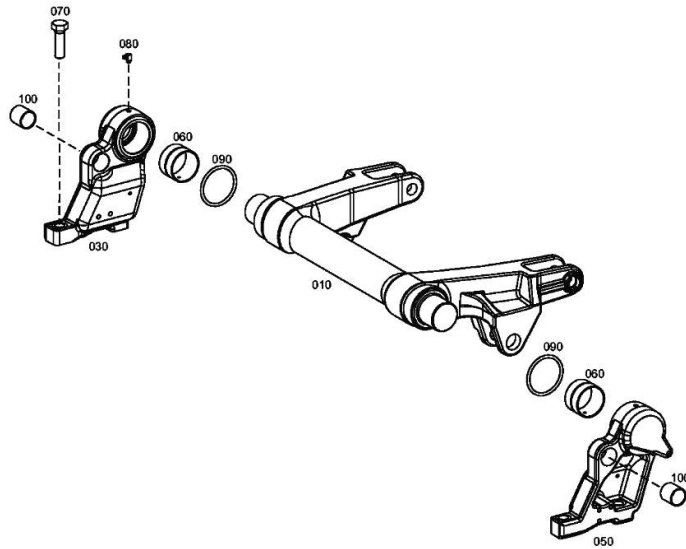


Fig.	P/n	QTY	Name
10	0.010.2901.2	1	support (...) <-
10	0.900.1239.7	1	bracket -> (...)
20	0.010.2902.0	2	bushing (...) <-
20	0.900.1239.8	2	tube -> (...)
30	0.010.2902.1	2	pin (...) <-
30	0.900.1239.9	2	pin -> (...)
40	0.010.3458.2	2	connecting rod (...) <-
40	0.900.1408.4	2	rod -> (...)
50	0.900.0466.8	1	brake lever (...) <-
50	0.900.1240.1	1	lever -> (...)
60	0.900.0955.8	1	shaft (...) <-
60	0.900.1408.5	1	shaft -> (...)
70	0.900.0281.9	2	nut m 12
80	0.010.3459.1	1	roll pin
90	0.900.0466.9	2	washer
100	0.900.0468.1	2	split pin 3.2x18
110	0.010.2904.2	1	ring (...) <-
110	0.900.0957.7	1	ring -> (...) - (...) <-
110	0.900.1240.3	1	spacer -> (...)
120	0.900.0469.4	3	screw m 8 p.1.25 x 20
130	0.900.0290.0	1	roll pin

**LIFTING - 2095 009 056**

Fig.	P/n	QTY	Name
10	0.900.0824.6	1	shaft
30	0.900.0802.9	1	bearing block dx/rh/re (...) <-
30	0.900.1407.9	1	bearing block dx/rh/re -> (...)
50	0.900.0803.0	1	bearing block sx/lh/li (...) <-
50	0.900.1408.0	1	bearing block sx/lh/li -> (...)
60	04417549	2	special bushing
70	0.900.0469.1	4	screw m 20x65
80	04427636	2	grease gun m 8 p.1 x 8
90	04417552	2	ring 78.5x6
100	0.010.3844.1	2	bearing



**<https://www.ebooklibonline.com>**

Hello dear friend!

Thank you very much for reading.

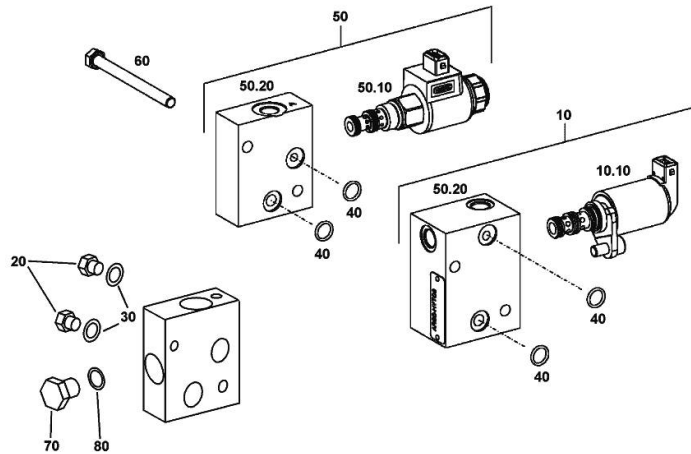
Enter the link into your browser.

The full manual is available for immediate download.

**<https://www.ebooklibonline.com>**

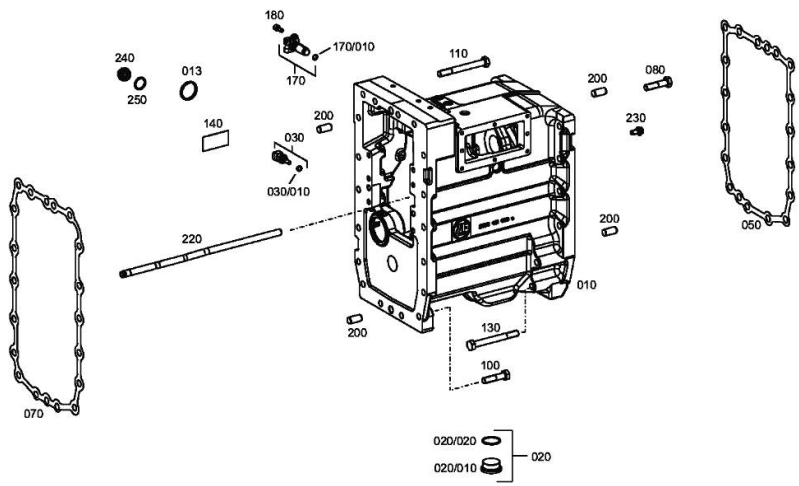
**DRIVE FOR GEAR CHANGE BOX - 2095 009 056**

Fig.	P/n	QTY	Name
10	0.900.0952.1	1	control
10.10	0.900.0952.8	1	solenoid valve DV
20	04434512	2	plug m 10 p.1 (...) <-
30	0.900.0290.7	2	circlip (...) <-
40	0.900.0801.4	4	ring 11,3 x 2,4 NBR-70-10
50	0.010.2628.2	1	control (...) <-
50	0.900.0993.3	1	control -> (...) - (...) <-
50	0.900.1363.3	1	small block -> (...)
50.10	0.900.1384.6	1	solenoid valve
60	0.900.0279.5	2	screw (...) <-
60	0.900.1363.4	2	screw -> (...)
70	0.900.0281.0	1	plug m 14 p.1.5 (...) <-
80	04423731	1	oil seal 14 x 18 (...) <-



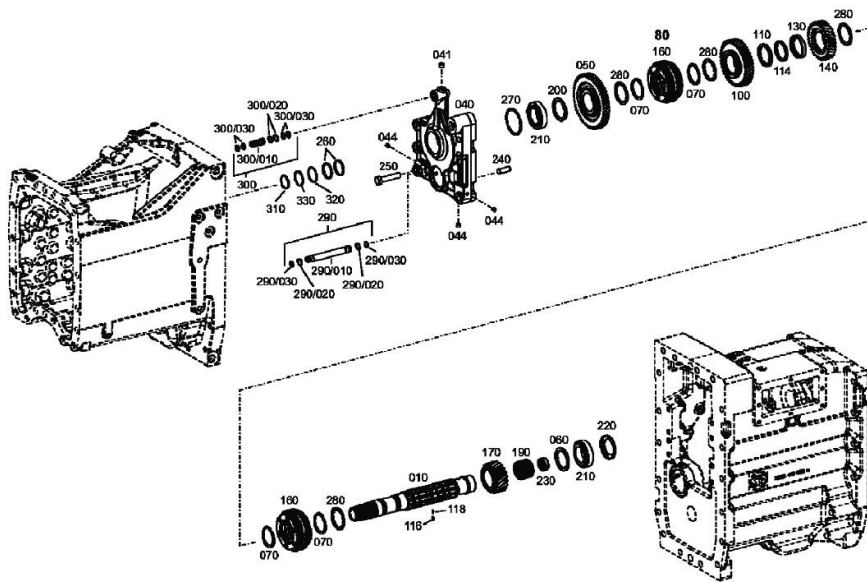
**GEARBOX - 2095 009 057**

Fig.	P/n	QTY	Name
10	0.900.0956.0	1	gear box
13	0.010.2845.2	1	oil seal 38x4
20	04435197	1	plug
20.20	02315144	1	oil seal 38x2.5
30	0.900.0800.6	1	temperature gauge
30.10	0.900.0801.6	1	ring 11x2 ZFN 744 FPM-80-10
50	0.900.1407.7	1	gasket
50	04416085	1	gasket mm 0.25
50	04416086	1	gasket mm 0.20
70	04416087	1	gasket
80	0.010.2887.1	13	screw m 14 x 60
100	0.010.2887.1	12	screw m 14 x 60
110	0.010.3354.1	6	screw m 14x130
130	0.010.3354.1	4	screw m 14x130
140	04416088	1	number plate
170	04438450	1	speed sensor L = 53,0mm
170.10	04417747	1	oil seal 15.54x2.62
180	04434551	1	screw m 8 p.1.25 x 20
200	04416090	4	cylindrical plug 16 m 6x30
220	0.010.3437.0	1	flexible hose
220.20	0.010.3344.1	1	circlip 15x1
220.30	06214801	1	oil seal 12x1.5
230	04416628	1	screw
240	0.010.3594.0	1	tube
250	0.010.2899.0	1	gasket 26x31



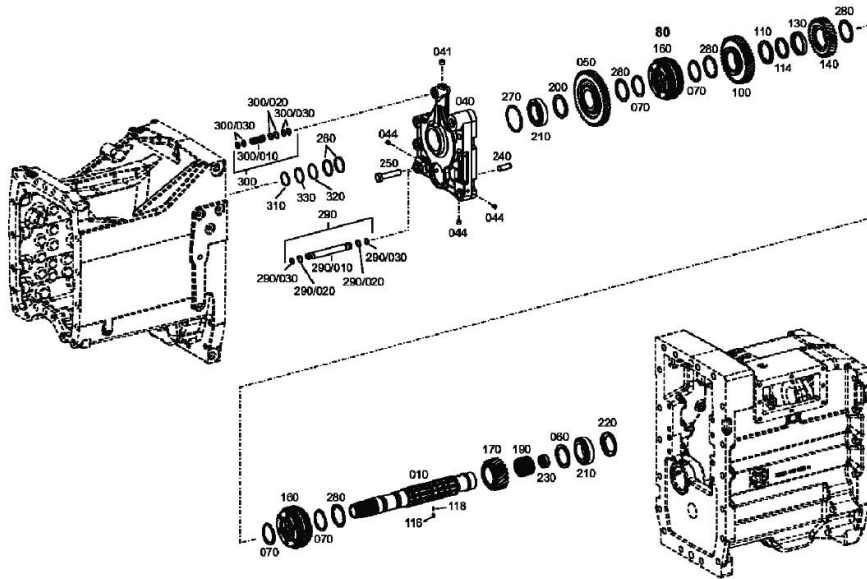
LAYSHAFT - 2095 009 057

Fig.	P/n	QTY	Name
10	0.900.0284.6	1	shaft - UP TO TRANSMISSION SERIAL No. ZF 1760792
10	0.900.0956.3	1	shaft - FROM ZF GEARBOX SERIAL NO.: 1760793
40	0.900.0284.0	1	support (...) <-
40	0.900.1289.3	1	cap -> (...)
41	0.010.3780.2	1	plug (...) <-
41	0.900.1281.5	1	plug -> (...)
44	04415909	3	ball
50	0.900.0284.4	1	gear z = 53 - UP TO TRANSMISSION SERIAL No. ZF 1760792
50	0.900.0956.2	1	gear - FROM ZF GEARBOX SERIAL NO.: 1760793
60	04416108	1	shim mm 3.2
70	04416096	4	circlip
80	0.900.0277.7	1	lock synchronizer - UP TO TRANSMISSION SERIAL No. ZF 1760792
100	0.900.0956.1	1	gear -> (...)
100	04438441	1	gear Z = 41 (...) <-
110	04416099	1	shim mm 4.0
114	04416100	1	ring
116	04416101	1	pin 4x8
118	04416102	1	pin 2.5x8
130	04416103	1	shim
140	0.900.0284.5	1	gear - UP TO TRANSMISSION SERIAL No. ZF 1760792
160	0.900.0462.5	1	lock synchronizer - UP TO TRANSMISSION SERIAL No. ZF 1760792
170	0.900.0284.7	1	gear wheel
190	0.900.2223.5	1	needle
200	0.010.3418.0	1	washer mm 3.3
200	0.010.3418.1	1	washer mm 3.4
200	0.900.1407.1	1	slewing ring
200	04416108	1	shim mm 3.2
200	04416109	1	shim mm 3.5
210	04416110	2	roller bearing
220	02374320	1	fan
230	04416112	1	bearing



LAYSHAFT - 2095 009 057

Fig.	P/n	QTY	Name
240	04395747	2	cylindrical plug 12 m 6x30
250	0.010.3354.2	6	screw m 12 x 60
260	04335064	2	oil seal 34x3
270	0.000.0000.1	1	cannot be supplied
270	04417246	1	shim mm 1.00
270	04417247	1	shim mm 1.05
270	04417248	1	shim mm 1.10
270	04417249	1	shim mm 1.15
270	04417250	1	shim mm 1.20
270	04417251	1	shim mm 1.25
270	04417252	1	shim mm 1.30
270	04417253	1	shim mm 1.35
270	04417254	1	shim mm 1.40
270	04417268	1	shim mm 1.45
270	04417269	1	shim mm 1.50
270	04417270	1	shim mm 1.60
270	04417271	1	shim mm 1.60
270	04419713	1	shim mm 1.65
270	04419714	1	shim mm 1.70
270	04419715	1	shim mm 1.75
270	04419716	1	shim mm 1.80
270	04419717	1	shim mm 1.85
270	04419718	1	shim mm 1.90
270	04419719	1	shim mm 1.95
270	04419720	1	shim mm 2.00
270	04419721	1	shim mm 2.05
270	04419722	1	shim mm 2.10
270	04419723	1	shim mm 2.15
270	04419724	1	shim mm 2.20
280	0.900.0282.7	4	slewing ring
290	0.010.3437.1	1	flexible hose
290.10	0.900.0294.0	1	tube
290.10	04416629	1	tube
290.20	0.010.3344.1	2	(...) <- circlip 15x1 >- (...)
290.30	06214801	2	oil seal 12x1.5
300	0.010.3436.1	1	flexible hose
300.10	04431768	1	tube
300.20	0.010.3344.1	2	circlip 15x1
300.30	04419168	4	oil seal 11x2.5
310	04423359	1	ring
320	04431776	1	ring mm 1.30
330	04416116	1	circlip



**MAIN SHAFT - 2095 009 057**

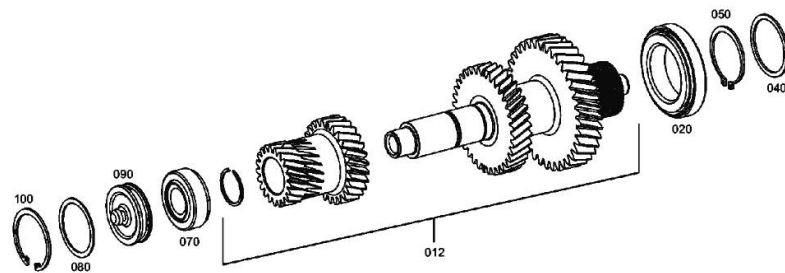


Fig.	P/n	QTY	Name
12	0.900.0283.2	1	main shaft
20	04438468	1	roller bearing
40	0.000.0000.1	1	cannot be supplied
40	04417041	1	washer mm 1.90
40	04417042	1	washer mm 1.95
40	04417043	1	washer mm 2.00
40	04417044	1	washer mm 2.05
40	04417045	1	washer mm 2.10
40	04417046	1	washer mm 2.15
40	04417047	1	washer mm 2.20
40	04417048	1	washer mm 2.25
40	04417049	1	washer mm 2.30
40	04417050	1	washer mm 2.35
40	04417051	1	washer mm 2.40
40	04417052	1	washer mm 2.45
40	04417053	1	washer mm 2.50
40	04417054	1	washer mm 2.55
40	04417055	1	washer mm 2.60
40	04424430	1	washer mm 2.65
40	04424431	1	washer mm 2.70
40	04424432	1	washer mm 2.75
40	04424433	1	washer mm 2.80
40	04424434	1	washer mm 2.85
40	04424435	1	washer mm 2.90
50	0.010.3345.2	1	circlip 52x2
70	04368537	1	roller bearing
80	0.000.0000.1	1	cannot be supplied
80	0.010.3395.0	1	small block mm 1.75
80	0.010.3395.1	1	small block mm 1.80
80	04416486	1	shim mm 1.30
80	04416487	1	shim mm 1.35
80	04416488	1	shim mm 1.40
80	04416489	1	shim mm 1.45
80	04416490	1	shim mm 1.50
80	04416491	1	shim mm 1.55
80	04416492	1	shim mm 1.60
80	04416493	1	shim mm 1.65
80	04416494	1	shim mm 1.70
90	04416612	1	ring
100	04416121	1	circlip 57x2

**DRIVE - 2095 009 057**

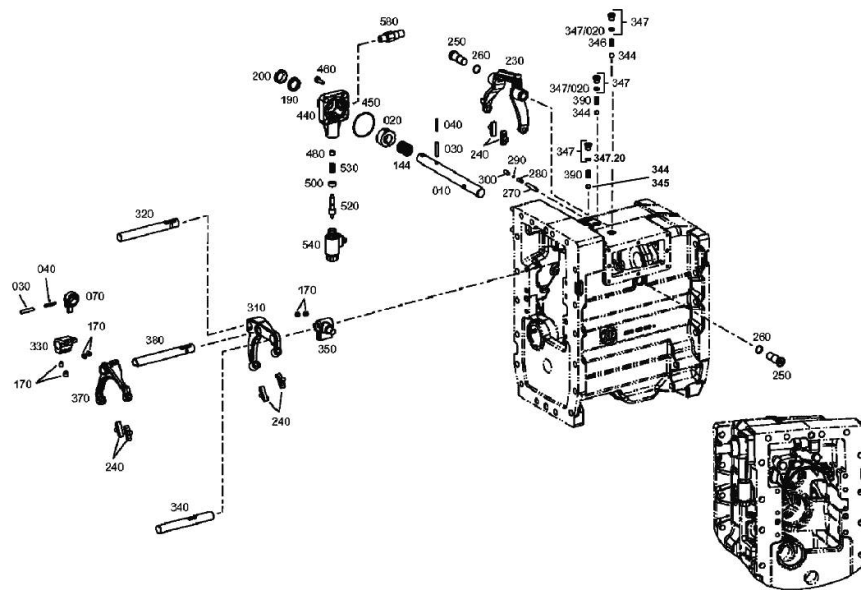
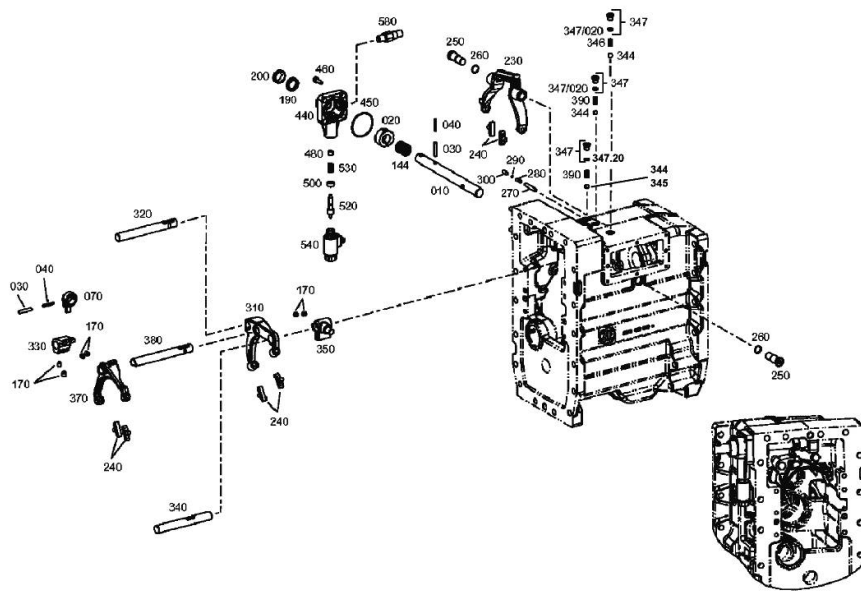


Fig.	P/n	QTY	Name
10	0.900.0285.4	1	shaft
20	0.900.0285.3	1	ring
30	04416371	2	pin
40	04416191	2	pin 5 x 36
70	0.900.0284.8	1	lever
144	0.900.0283.1	1	clip
170	01272647	9	stud bolt L = 13.7
190	04415773	1	oil seal 25x35x7
200	04415774	1	oil seal AS 25x35x7x10
230	0.900.0956.5	1	fork
240	04415779	6	shoe
250	04416145	2	screw
260	0.010.2619.1	2	oil seal 17x2
270	04415787	1	ferrule
280	01299482	1	spring
290	04415788	1	circlip B 7 din 7993
300	04416148	1	ferrule
310	0.900.0956.7	1	fork
320	0.900.0285.7	1	rod (...) <-
320	0.900.1408.7	1	rod -> (...)
330	04416151	1	control panel
340	0.900.0285.6	1	rod
344	04309268	3	ball (...) <-
345	0.900.0279.4	1	ball (...) <-
346	01272113	1	spring
347	04434335	3	screw
347.20	04415796	1	oil seal 9.5x2
350	0.900.0285.1	1	driver
370	0.900.0956.4	1	fork - FROM ZF GEARBOX SERIAL NO.: 1760793
370	0.900.0956.6	1	fork - UP TO TRANSMISSION SERIAL No. ZF 1760792
380	0.900.0285.5	1	rod (...) <-
380	0.900.1408.6	1	rod -> (...)
390	04416041	2	spring
440	0.900.0285.2	1	cover
450	0.900.0279.0	1	ring
460	04434546	2	screw m 8 x 30

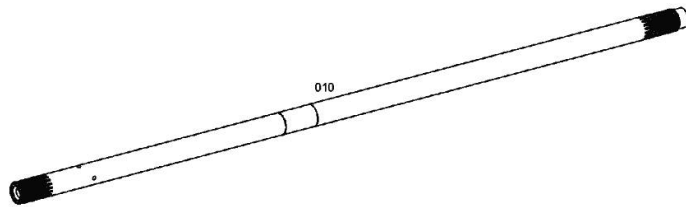
**DRIVE - 2095 009 057**

Fig.	P/n	QTY	Name
480	0.900.1405.2	1	bearing
500	04416443	1	bearing
520	0.900.0286.7	1	interlock
530	0.010.3420.0	1	spring
540	0.010.3343.0	1	electromagnet
580	04416066	1	switch



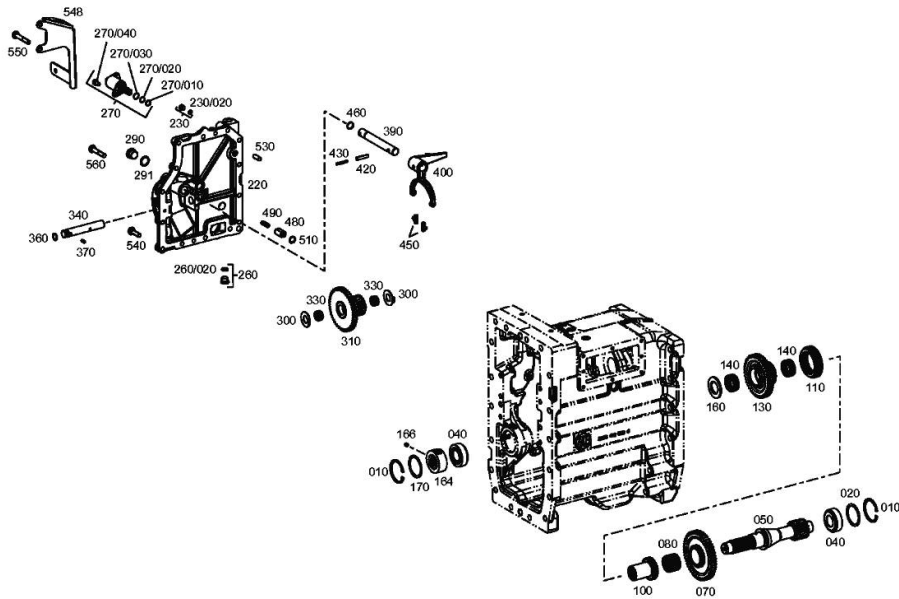
**P.T.O. - POWER TAKE OFF - 2095 009 057**

Fig.	P/n	QTY	Name
10	0.900.0066.8	1	transmission shaft



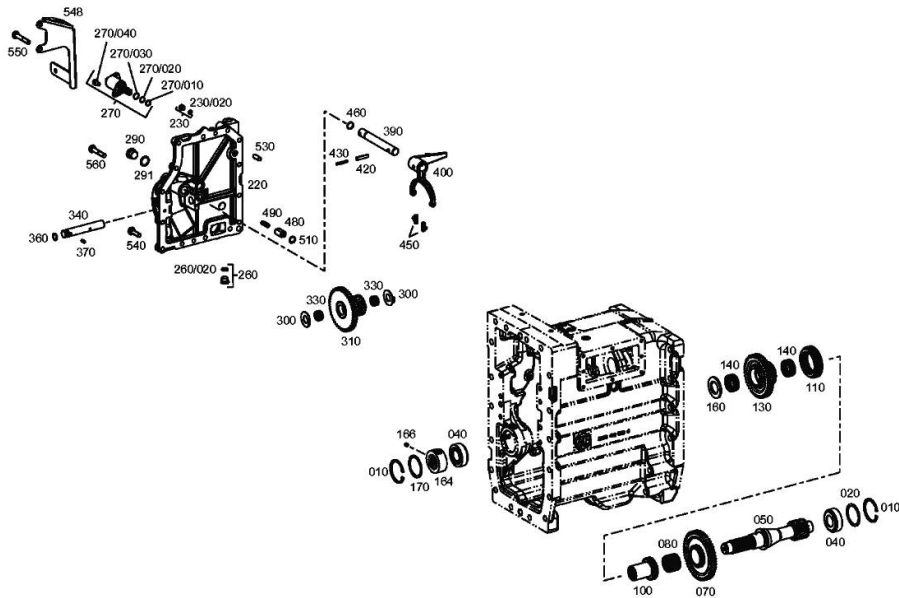
**SUPER REDUCTION GEAR UNIT - 2095 009 057**

Fig.	P/n	QTY	Name
10	0.010.3346.0	2	circlip 62 x 2 -> (...)
10	0.900.0289.6	2	circlip (...) <-
20	04416620	1	shim mm 1.50
40	04431639	2	bearing (...) <-
50	04416170	1	shaft
70	04416172	1	gear
80	04416107	1	roller cage
100	04416173	1	support
110	04416174	1	sleeve
130	04431646	1	gear z=41 z=25 (...) <-
140	04416176	2	roller cage
160	04416177	1	shim
164	04416178	1	ring
166	04416179	1	pin 8x10
170	0.000.0000.1	1	cannot be supplied
170	0.010.2611.0	1	shim mm 1.72
170	0.010.2611.1	1	shim mm 1.74
170	0.010.2611.2	1	shim mm 1.76
170	0.010.2612.0	1	shim mm 1.78
170	0.010.2612.1	1	shim mm 1.82
170	0.010.2612.2	1	shim mm 1.84
170	0.010.2612.3	1	shim mm 1.86
170	0.010.2613.0	1	shim mm 1.88
170	0.010.2613.1	1	shim mm 1.92
170	0.010.2613.2	1	shim mm 1.94
170	0.010.2613.3	1	shim mm 1.96
170	0.010.2614.0	1	shim mm 1.98
170	0.010.2614.1	1	shim mm 2.02
170	0.010.2614.2	1	shim mm 2.04
170	0.010.2614.3	1	shim mm 2.06
170	0.010.2615.0	1	shim mm 2.08
170	0.010.2615.1	1	shim mm 1.05
170	0.010.2615.2	1	shim mm 1.10
170	0.010.2615.3	1	shim mm 1.15
170	0.900.1279.5	1	shim
170	04416454	1	shim mm 1.30
170	04416455	1	shim mm 1.70
170	04416456	1	shim mm 1.90
170	04416457	1	shim mm 2.10
170	04416458	1	shim mm 2.30



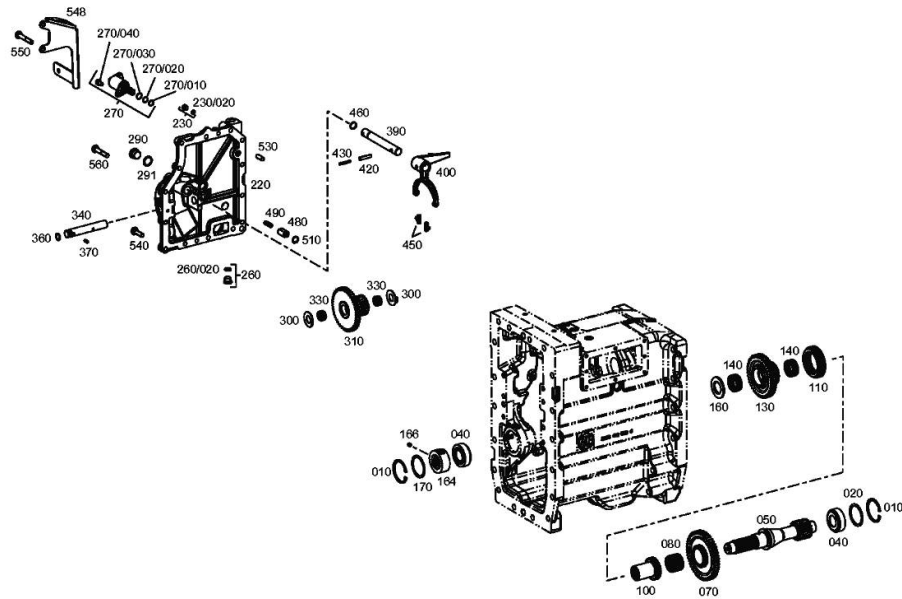
**SUPER REDUCTION GEAR UNIT - 2095 009 057**

Fig.	P/n	QTY	Name
170	04416459	1	shim mm 1.20
170	04416460	1	shim mm 1.25
170	04416461	1	shim mm 1.35
170	04416462	1	shim mm 1.40
170	04416463	1	shim mm 1.45
170	04416471	1	shim mm 1.60
170	04416472	1	shim mm 1.65
170	04416473	1	shim mm 1.75
170	04416474	1	shim mm 1.80
170	04416475	1	shim mm 1.85
170	04416476	1	shim mm 1.95
170	04416477	1	shim mm 2.00
170	04416478	1	shim mm 2.05
170	04416479	1	shim mm 2.15
170	04416480	1	shim mm 2.20
170	04416481	1	shim mm 2.25
170	04416482	1	shim mm 2.35
170	04416483	1	shim mm 2.40
170	04416484	1	shim mm 2.45
170	04416485	1	shim mm 2.50
170	04416620	1	shim mm 1.50
220	0.900.0285.8	1	cover (...) <-
220	0.900.0957.2	1	cover -> (...)
230	0.900.1381.4	1	plug
230.20	04415683	1	oil seal 8x1.5
260	04435199	1	screw
260.20	02315162	1	oil seal 13x2
270	0.900.0952.8	1	solenoid valve DV -> (...)
270	04431661	1	solenoid valve (...) <-
270.10	0.900.1377.5	1	gasket 12,4 x 1,78 -> (...)
270.10	04417841	1	ring 16.36x2.21 (...) <-
270.20	0.900.1377.6	1	gasket 13 x 1.5 -> (...)
270.20	04417842	1	oil seal 12x2 (...) <-
270.30	0.900.1377.7	1	gasket 14x1.78 -> (...)
270.30	04417843	1	ring 10.82x1.78



**SUPER REDUCTION GEAR UNIT - 2095 009 057**

Fig.	P/n	QTY	Name
			(...) <-
270.40	0.900.1377.8	1	screw m 8 x 16
			-> (...)
290	0.010.2622.3	1	screw m 22 x 1.5
291	01118737	1	oil seal 22 x 27
300	04416185	2	shim
310	0.900.0957.3	1	gear
			-> (...)
310	04416186	1	gear wheel
			(...) <-
330	04416187	2	roller cage
340	04416188	1	pin
360	0.010.3351.2	1	oil seal 16x2
370	0.010.3349.2	1	roll pin 6 x 14
390	04416189	1	shaft
400	04416190	1	fork
420	0.010.3348.2	1	roll pin 8x36
			-> (...)
420	0.900.0290.2	1	roll pin
			(...) <-
430	04416191	1	pin 5 x 36
450	04416192	2	shoe
460	0.900.0290.3	1	ring
			(...) <-
460	01295688	1	oil seal 17x1.5
			-> (...)
480	04416193	1	pin
490	04416194	1	spring
510	0.010.3346.1	1	circlip 18x1
			-> (...)
510	0.900.0289.7	1	circlip
			(...) <-
520	04416195	1	ring
			(...) <-
530	0.900.0953.3	2	cylindrical plug
540	04434540	8	screw m 10 x 35
548	0.900.0286.0	1	plate
550	04434554	2	screw m 6 x 60
560	0.010.3353.2	4	screw m 10 x 55



**BEVEL WHEEL GEAR - 2095 009 057**

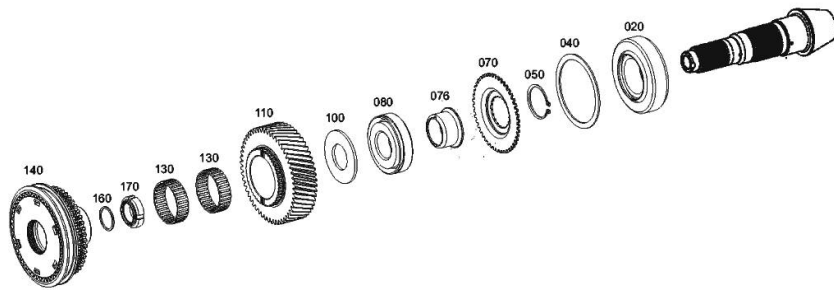
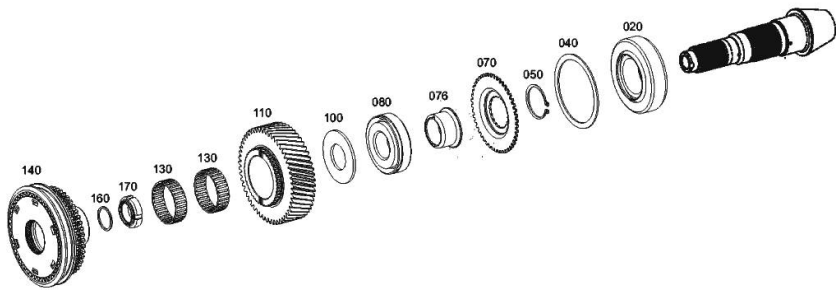


Fig.	P/n	QTY	Name
20	04416184	1	roller bearing
40	0.010.3395.2	1	shim mm 2.375
40	0.010.3396.0	1	shim mm 2.425
40	0.010.3396.1	1	shim mm 2.475
40	0.010.3396.2	1	shim mm 2.525
40	0.010.3397.0	1	shim mm 2.575
40	0.010.3397.1	1	shim mm 2.625
40	0.900.1407.2	1	shim
40	04417579	1	shim mm 2.30
40	04417580	1	shim mm 2.35
40	04417581	1	shim mm 2.40
40	04417582	1	shim mm 2.45
40	04417583	1	shim mm 2.50
40	04417584	1	shim mm 2.55
40	04417585	1	shim mm 2.60
40	04417586	1	shim mm 2.65
40	04417587	1	shim mm 2.70
40	04419160	1	shim mm 1.90
40	04419161	1	shim mm 1.95
40	04419162	1	shim mm 2.00
40	04419163	1	shim mm 2.05
40	04419164	1	shim mm 2.10
40	04419165	1	shim mm 2.15
40	04419166	1	shim mm 2.20
40	04419167	1	shim mm 2.25
50	0.010.3345.1	1	circlip 50x2
70	04416382	1	lock washer
76	04416383	1	spacer
80	04433898	1	roller bearing
100	04416387	1	shim
110	0.900.0286.2	1	gear wheel
130	04416389	2	roller cage
140	0.900.0277.6	1	lock synchronizer
160	0.900.1407.3	1	shim
160	04416561	1	shim mm 1.60
160	04416562	1	shim mm 1.65
160	04416563	1	shim mm 1.70
160	04416564	1	shim mm 1.75
160	04416565	1	shim mm 1.80
160	04416566	1	shim mm 1.85
160	04416567	1	shim mm 1.90
160	04416568	1	shim mm 1.95
160	04416569	1	shim mm 2.00
160	04416570	1	shim mm 2.05

**BEVEL WHEEL GEAR - 2095 009 057**

Fig.	P/n	QTY	Name
160	04416571	1	shim mm 2.10
160	04416572	1	shim mm 2.15
160	04416573	1	shim mm 2.20
160	04416574	1	shim mm 2.25
160	04416575	1	shim mm 2.30
160	04416576	1	shim mm 2.35
160	04416577	1	shim mm 2.40
160	04416578	1	shim mm 2.45
160	04416579	1	shim mm 2.50
170	04416391	1	nut





**Suggest:**

**For more complete manuals. Please go to the home page.**

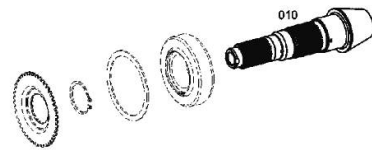
**<https://www.ebooklibonline.com>**

**If the above button click is invalid. Please download this document first, and then click the above link to download the complete manual.**

**Thank you so much for reading**

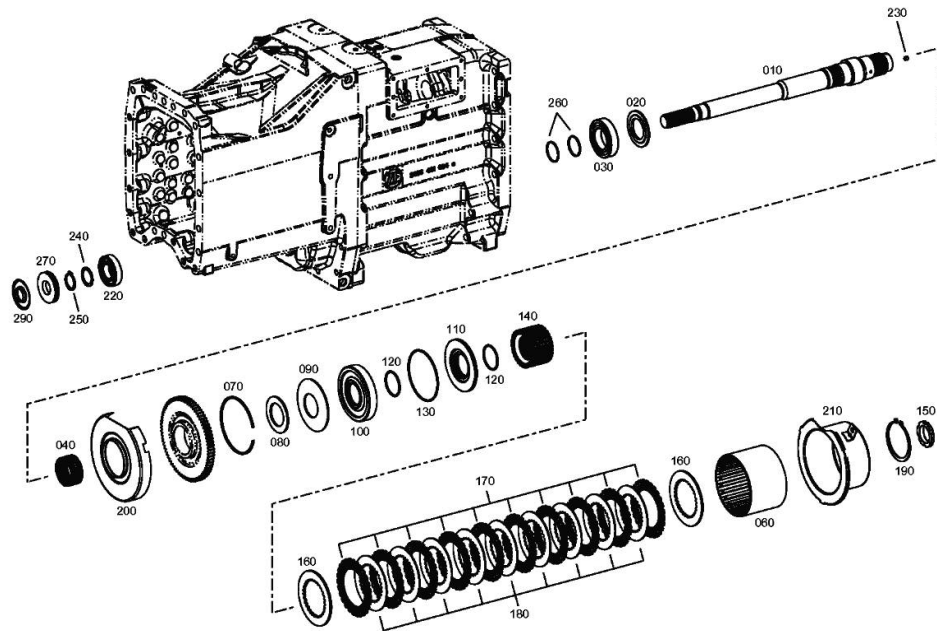
**BEVEL WHEEL GEAR - 2095 009 057**

Fig.	P/n	QTY	Name
10	0.900.1409.3	1	pinion Z = 10



**FRONT TRANSMISSION - 2095 009 057**

Fig.	P/n	QTY	Name
10	0.900.1500.2	1	shaft
20	0.900.1501.1	1	slewing ring
30	0.010.3422.0	1	ball bearing
40	0.900.1499.5	1	roller cage
60	0.900.1500.7	1	flange
70	0.900.0985.1	1	circlip
80	0.900.1500.4	1	slewing ring
90	0.900.1497.9	1	spring
100	0.900.1500.5	1	cylinder
110	0.900.1500.6	1	piston
120	02315157	2	oil seal
130	0.900.1498.6	1	oil seal
140	0.900.1500.8	1	flange
150	0.900.1500.9	1	ring nut
160	0.900.1501.0	2	disc
170	0.900.1498.0	10	disc
180	04416413	9	disc mm 2.0
190	0.900.1498.5	1	ring
200	04416405	1	division
210	0.900.1501.3	1	plate
220	04436319	1	ball bearing
230	0.900.1249.5	1	screw m 8x8
240	0.010.3368.1	1	washer mm 2.20
240	0.010.3368.2	1	washer mm 2.40
240	0.010.3392.0	1	washer mm 1.10
240	0.010.3392.1	1	shim mm 1.20
240	0.010.3392.2	1	washer mm 1.30
240	0.010.3393.0	1	washer mm 1.40
240	0.010.3393.1	1	washer mm 1.50
240	0.010.3393.2	1	washer mm 1.60
240	0.010.3394.0	1	washer mm 1.70
240	0.010.3394.1	1	washer mm 1.80
240	0.010.3394.2	1	washer mm 2.00
240	0.900.1407.4	1	disc
240	04416581	1	shim mm 1.90
240	04416582	1	shim mm 2.10
240	04416583	1	shim mm 2.30
240	04416584	1	shim mm 2.50
240	04416585	1	shim mm 2.70
240	04416586	1	shim mm 2.90
240	04416587	1	shim mm 3.10
250	01273026	1	circlip 35x2.5
260	04416404	2	ring 48x2.5
270	04416409	1	ring



**<https://www.ebooklibonline.com>**

Hello dear friend!

Thank you very much for reading.

Enter the link into your browser.

The full manual is available for immediate download.

**<https://www.ebooklibonline.com>**