

REAR BRAKES - 2095 009 042

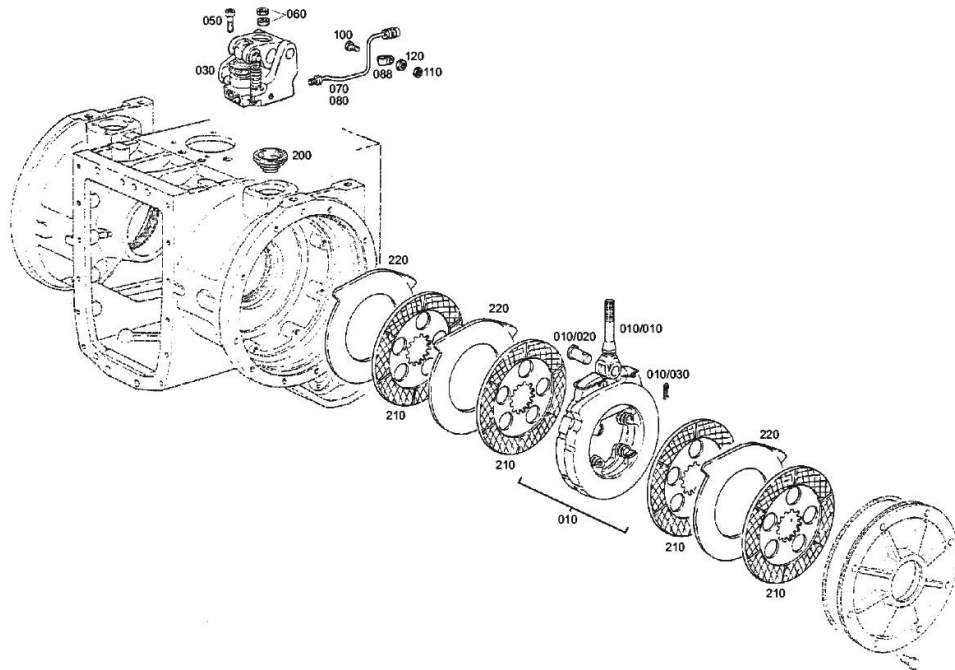


Fig.	P/n	QTY	Name
10	0.900.0800.4	2	transmission brake
10.10	04428551	1	rod
10.20	04435740	1	pin
10.30	04435741	1	split pin
30	0.900.0800.5	2	operation
50	0.900.0469.7	6	screw m 10 x 40
60	04434557	4	nut m 14 p.1.5
70	04428558	1	tube sx/lb/li
80	04428559	1	tube dx/rh/re
88	0.900.0468.2	2	clamp 6x12
100	0.900.0280.1	2	screw m 5 x 25
110	0.900.0470.2	2	nut m 5
120	0.900.0281.6	2	nut
200	0.900.0800.9	2	rubber bushing
210	0.900.0801.2	8	disc
220	0.900.0801.3	6	disc

BRAKE CONTROLS - 2095 009 042

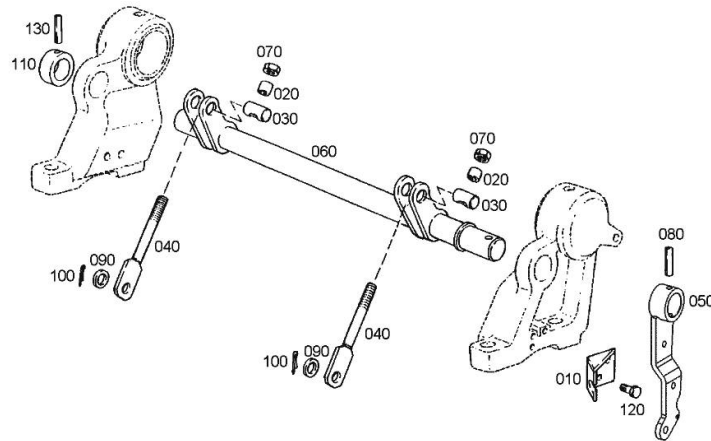
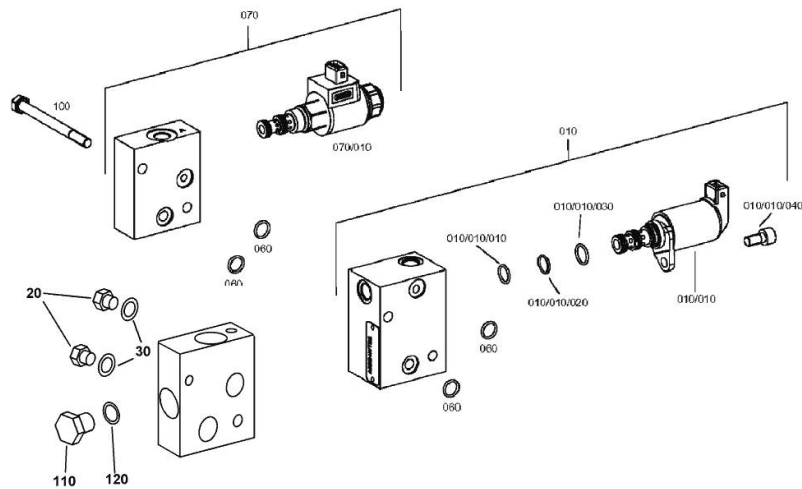


Fig.	P/n	QTY	Name
10	0.010.2901.2	1	support (...) <-
10	0.900.1239.7	1	bracket -> (...)
20	0.010.2902.0	2	bushing (...) <-
20	0.900.1239.8	2	tube -> (...)
30	0.010.2902.1	2	pin (...) <-
30	0.900.1239.9	2	pin -> (...)
40	0.010.3458.2	2	connecting rod (...) <-
40	0.900.1408.4	2	rod -> (...)
50	0.900.0466.8	1	brake lever (...) <-
50	0.900.1240.1	1	lever -> (...)
60	0.900.0955.8	1	shaft (...) <-
60	0.900.1408.5	1	shaft -> (...)
70	0.900.0281.9	2	nut m 12
80	0.010.3459.1	1	roll pin
90	0.900.0466.9	2	washer
100	0.900.0468.1	2	split pin 3.2x18
110	0.010.2904.2	1	ring (...) <-
110	0.900.0957.7	1	ring -> (...) - (...) <-
110	0.900.1240.3	1	spacer -> (...)
120	0.900.0469.4	3	screw m 8 p.1.25 x 20
130	0.010.2901.1	1	pin 6x50 -> (...)
130	0.900.0290.0	1	roll pin (...) <-

DRIVE FOR GEAR CHANGE BOX - 2095 009 042

Fig.	P/n	QTY	Name
10	0.900.0952.1	1	control
10.10	0.900.0952.8	1	solenoid valve DV
10.10	0.900.1377.5	1	gasket 12,4 x 1,78
10.20	0.900.1377.6	1	gasket 13 x 1.5
10.30	0.900.1377.7	1	gasket 14x1.78
10.40	0.900.1377.8	1	screw m 8 x 16
20	04434512	2	plug m 10 p.1 (...) <-
30	0.900.0290.7	2	circlip (...) <-
60	0.900.0801.4	4	ring 11,3 x 2,4 NBR-70-10
70	0.010.2628.2	1	control (...) <-
70	0.900.0993.3	1	control > (...) - (...) <-
70	0.900.1363.3	1	small block > (...)
70.10	0.900.1384.6	1	solenoid valve
100	0.900.1405.5	2	screw m 8x90
110	0.900.0281.0	1	plug m 14 p.1.5 (...) <-
120	04423731	1	oil seal 14 x 18 (...) <-



<https://www.ebooklibonline.com>

Hello dear friend!

Thank you very much for reading.

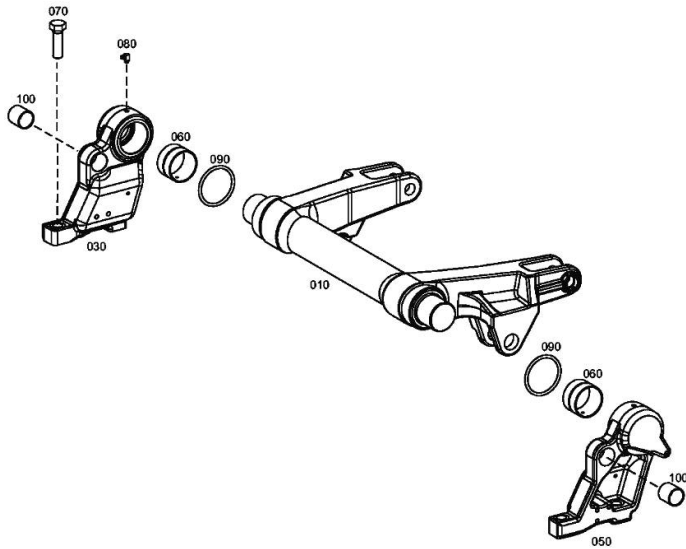
Enter the link into your browser.

The full manual is available for immediate download.

<https://www.ebooklibonline.com>

LIFTING - 2095 009 042

Fig.	P/n	QTY	Name
10	0.900.0824.6	1	shaft
30	0.900.1407.9	1	bearing block dx/rh/re
50	0.900.1408.0	1	bearing block sx/lh/li
60	04417549	2	special bushing
70	0.900.0469.1	4	screw m 20x65
80	04427636	2	grease gun m 8 p.1 x 8
90	04417552	2	ring 78.5x6
100	0.010.3844.1	2	bearing (...) <- -> (...)
100	0.900.1431.3	2	bearing (...) <- -> (...)



FRONT TRANSMISSION - 2095 009 042

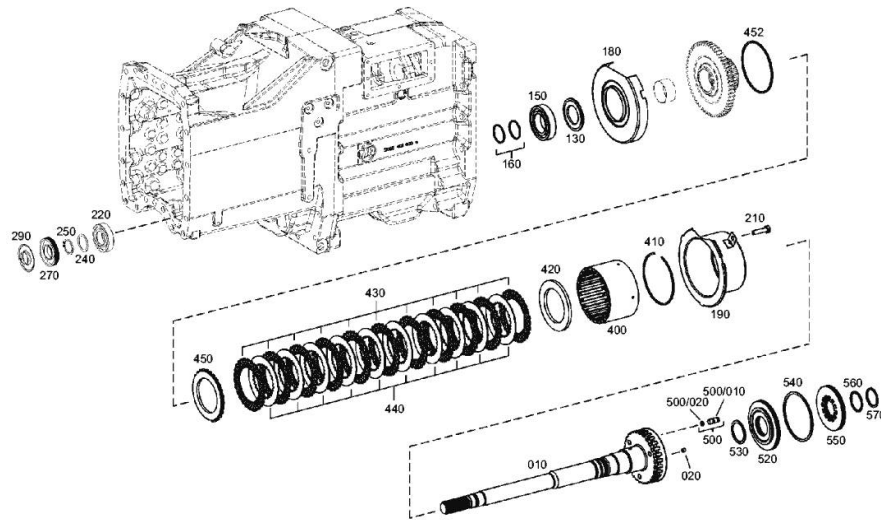


Fig.	P/n	QTY	Name
10	0.010.3440.0	1	secondary shaft Z = 24
20	04416947	1	grub screw m 8x8
130	04416402	1	shim
150	0.900.0498.5	1	ball bearing
160	04416404	2	ring 48x2.5
180	04416405	1	division
190	04416406	1	division
210	04434553	1	screw m 10 x 40
220	04436319	1	ball bearing
240	0.000.0000.1	1	cannot be supplied
240	0.010.3368.1	1	washer mm 2.20
240	0.010.3368.2	1	washer mm 2.40
240	0.010.3392.0	1	washer mm 1.10
240	0.010.3392.1	1	shim mm 1.20
240	0.010.3392.2	1	washer mm 1.30
240	0.010.3393.0	1	washer mm 1.40
240	0.010.3393.1	1	washer mm 1.50
240	0.010.3393.2	1	washer mm 1.60
240	0.010.3394.0	1	washer mm 1.70
240	0.010.3394.1	1	washer mm 1.80
240	0.010.3394.2	1	washer mm 2.00
240	04416581	1	shim mm 1.90
240	04416582	1	shim mm 2.10
240	04416583	1	shim mm 2.30
240	04416584	1	shim mm 2.50
240	04416585	1	shim mm 2.70
240	04416586	1	shim mm 2.90
240	04416587	1	shim mm 3.10
250	01273026	1	circlip 35x2.5
270	04416409	1	ring
290	04416410	1	plate
400	04416605	1	plate carrier z=27
410	0.900.0985.1	1	circlip -> (...)
410	04415928	1	ring (...)<-
420	0.000.0000.1	1	cannot be supplied
420	0.010.2875.2	1	shim mm 7.3
420	04416588	1	shim mm 5.5
420	04416589	1	shim mm 5.7
420	04416590	1	shim mm 5.9
420	04416591	1	shim mm 6.1
420	04416592	1	shim mm 6.3
420	04416593	1	shim mm 6.5

FRONT TRANSMISSION - 2095 009 042

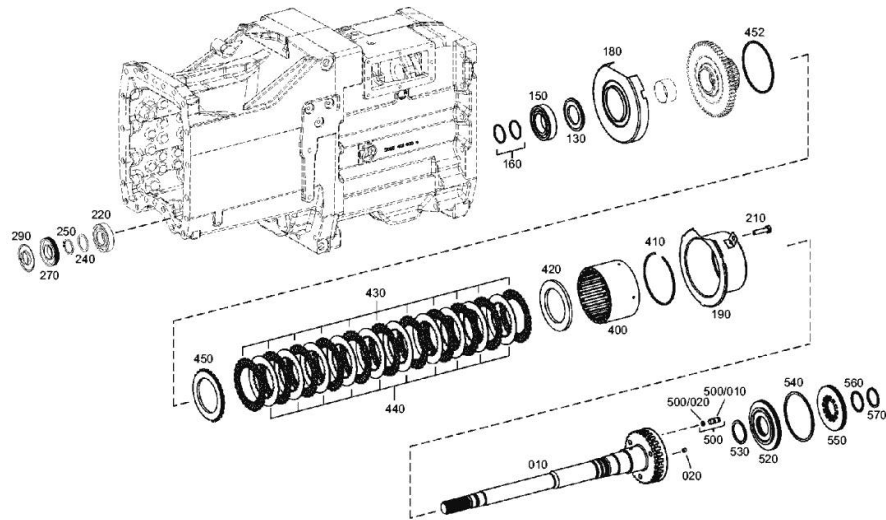
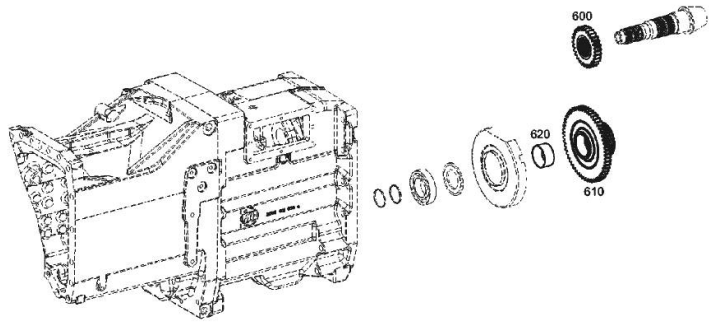


Fig.	P/n	QTY	Name
420	04416594	1	shim mm 6.7
420	04416595	1	shim mm 6.9
420	04416596	1	shim mm 7.1
420	04416597	1	shim mm 7.5
420	04416599	1	shim mm 7.7
420	04416600	1	shim mm 7.9
420	04416601	1	shim mm 8.1
420	04416602	1	shim mm 8.3
420	04416603	1	shim mm 8.5
420	04416604	1	shim mm 8.7
430	04416412	11	disc
440	04416413	10	disc mm 2.0
450	04416414	1	washer
452	04415933	1	circlip mm 2.5
500	0.010.3437.2	3	pin
500.10	04416415	1	pin
500.20	04416416	1	oil seal 7x2.5
520	04423292	1	piston
530	04416418	1	ring
540	04331370	1	ring
550	04416419	1	spring x4
560	04416420	1	shoulder ring
570	0.010.2863.2	1	circlip 45x2.5

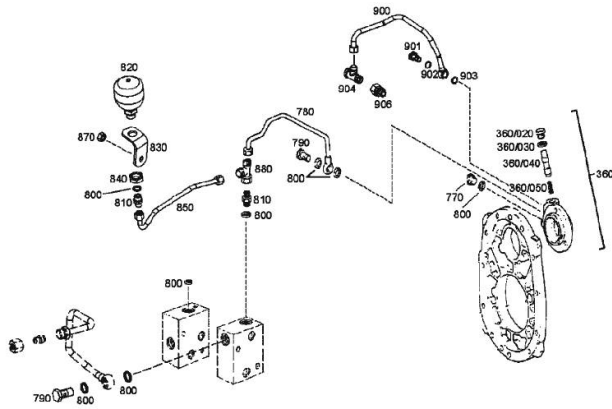
FRONT TRANSMISSION - 2095 009 042

Fig.	P/n	QTY	Name
600	04416781	1	gear Z = 37
610	0.010.3439.2	1	wheel z=75
620	0.010.3340.1	1	bush



P.T.O. SHAFT - 2095 009 042

Fig.	P/n	QTY	Name
360	0.010.3229.0	1	cover
360.20	04417591	1	plug
360.30	04436331	1	oil seal 16 x 20
360.40	04424374	1	piston
360.50	04417367	1	spring
770	0.900.0280.7	1	stop
780	0.010.3455.2	1	pipng
790	0.900.0282.1	2	pipe union
800	04423731	7	oil seal 14 x 18
810	04417466	2	pipe fitting
820	04439224	1	accumulator
830	0.010.3456.0	1	angular
840	0.900.0953.6	1	nut
850	0.900.0490.9	1	tube
870	0.900.0281.4	1	nut m 12
880	04417783	1	pipe fitting
900	0.900.0283.5	1	tube
901	04427560	1	pipe union
902	0.900.0290.6	1	circlip
903	04436331	1	oil seal 16 x 20
904	04431782	1	threaded joint
906	0.900.0282.4	1	pipe union



ROAD P.T.O. SHAFT - 2095 009 042

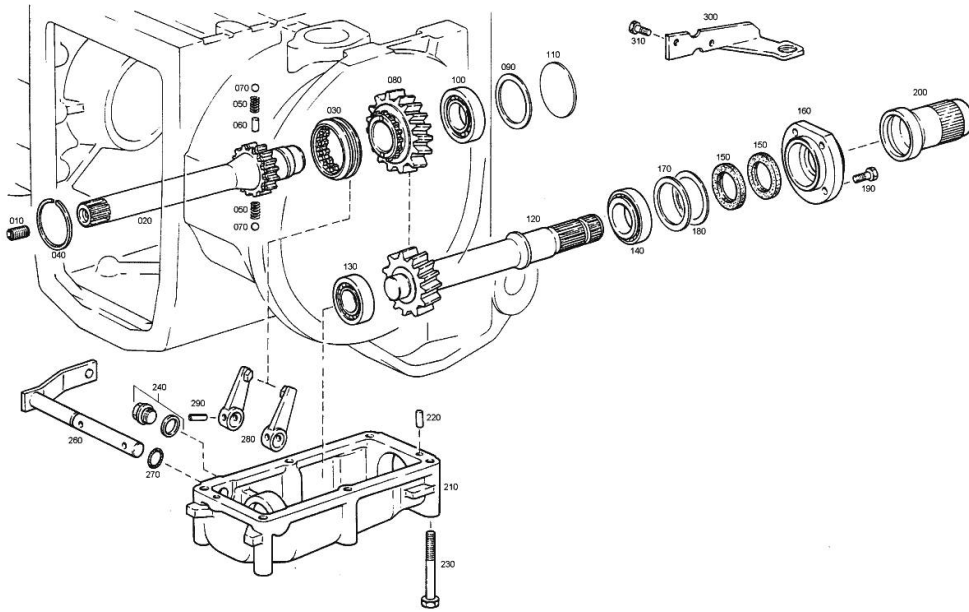


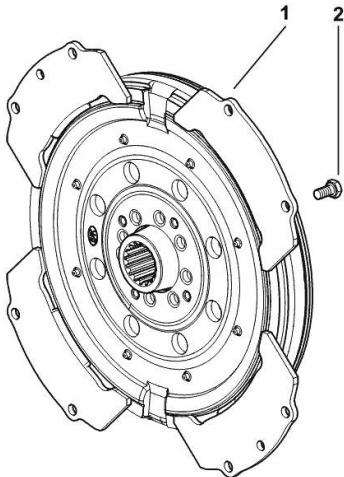
Fig.	P/n	QTY	Name
10	04417486	1	pin
20	04417487	1	transmission shaft
30	04417488	1	sleeve
40	0.900.0278.0	1	circlip
50	04417378	2	spring
60	0.900.0953.2	1	cylindrical plug m 6 x 15
70	04415909	2	ball
80	04417491	1	gear wheel
90	0.000.0000.1	1	cannot be supplied
90	04417360	1	shim s = 0.10
90	04417361	1	shim s = 0.15
90	04417362	1	shim s = 0.40
100	0.900.0279.3	1	roller bearing
110	04417494	1	cover
120	04417495	1	shaft
130	04436234	1	roller bearing
140	04416948	1	bearing
150	04417498	2	ring
160	04417499	1	cover
170	0.010.3343.2	1	small block 55x68x0.5
180	0.010.3343.1	1	small block 55x68x0.1
190	0.900.0291.0	4	screw
200	04417500	1	guard
210	04417501	1	box
220	0.900.0953.2	2	cylindrical plug m 6 x 15
230	0.900.0279.6	6	screw
240	0.010.3847.2	1	stop
260	0.010.3454.1	1	shaft
270	0.900.0278.8	1	oil seal
280	04417505	2	lever
290	0.010.3348.1	2	roll pin 8x26
300	0.010.3455.0	1	plate
310	0.900.0469.5	2	screw m 8 x 100

FLEXIBLE COUPLINGS

Fig.	P/n	QTY	Name
------	-----	-----	------

Notes:
[XM 110 -> ZKDL350200TH10001]

1	04455029	1	flexible coupling
2	2.0114.205.2	8	screw m 8 p.l.25 x 16



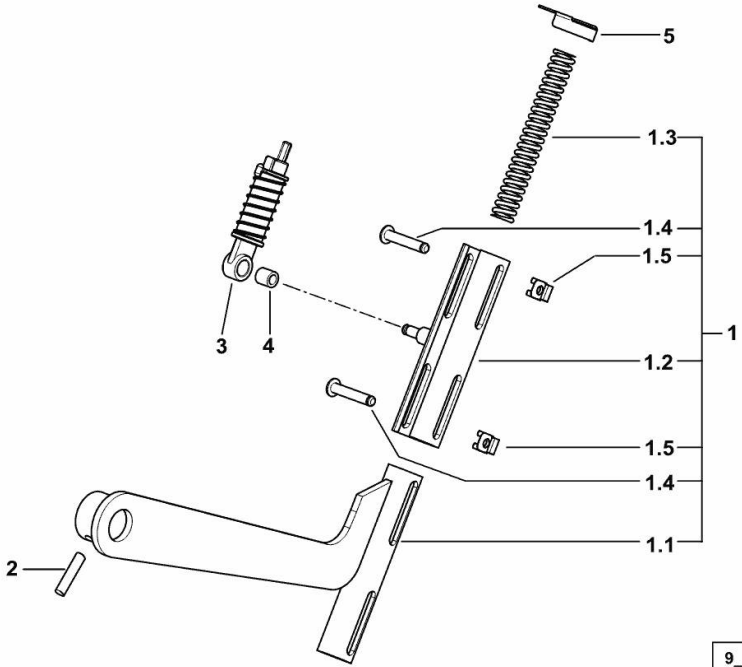
9_A3930_01_0-A-001

SUPER CREEPER - REDUCTION GEAR UNIT CONTROLS

Fig.	P/n	QTY	Name
------	-----	-----	------

Notes:
 [XM 110 -> ZKDL350200TH10001]

1	04453587.4/30	1	lever
1.1	04453287.3/10	1	lever
1.2	04415462.4	1	tube
1.3	04414550	1	spring
1.4	04415461	2	pin
1.5	01175740	2	clip
2	2.1630.752.2	1	pin 8 x 30
3	04415468	1	stop
4	04415469	1	clip
5	04418159	2	circlip



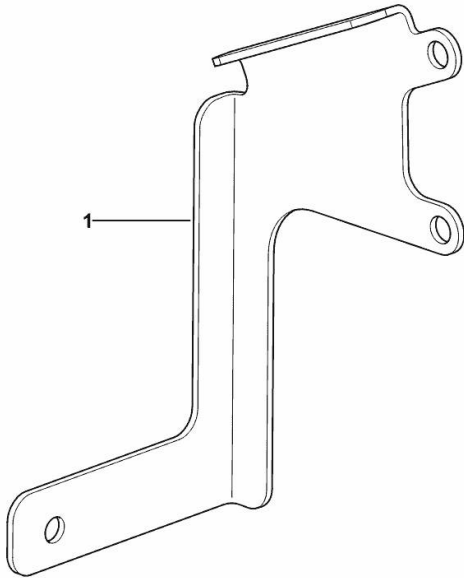
9_B1564_07_0-A-001

BRACKET

Fig.	P/n	QTY	Name
------	-----	-----	------

Notes:
[XM 110 -> ZKDL350200TH10001]

1	04455291	1	bracket
---	----------	---	---------



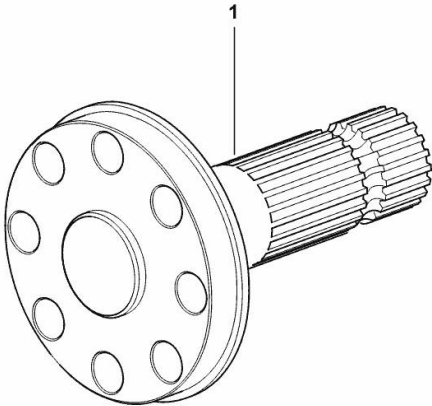
9_B1631_10_0-A-001

PTO OUTPUT SHAFT Z = 21

Fig.	P/n	QTY	Name
------	-----	-----	------

Notes:
[XM 110 -> ZKDL350200TH10001]

1	04413621	1	shaft Z = 21
---	----------	---	--------------



9_B1636_11_0-A-001



Suggest:

For more complete manuals. Please go to the home page.

<https://www.ebooklibonline.com>

If the above button click is invalid. Please download this document first, and then click the above link to download the complete manual.

Thank you so much for reading

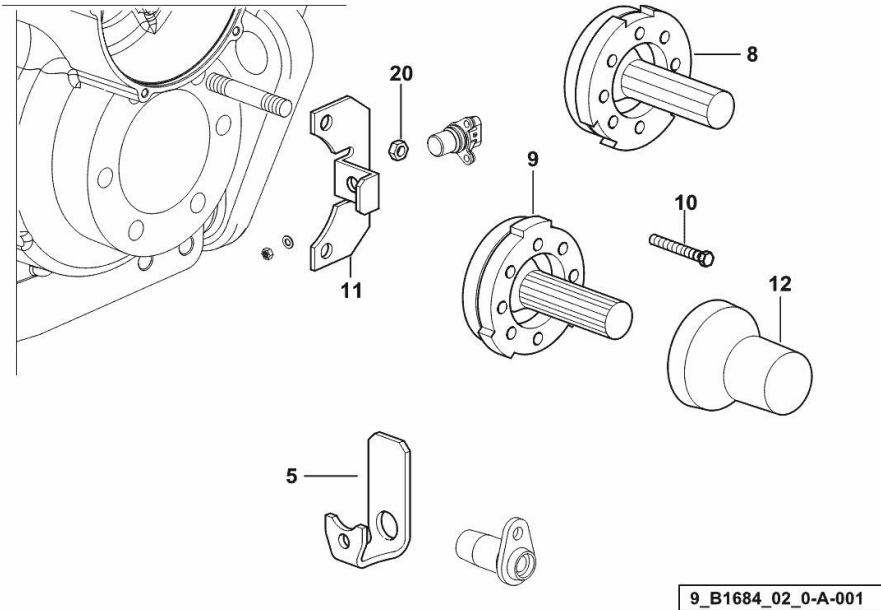
COMPLETION

Fig.	P/n	QTY	Name
------	-----	-----	------

Notes:

- EXPORT U.S.A. [XM 110 -> ZKDL350200TH10001]

5	04418427/10	1	bracket
8	04455065.3	1	power take-off shaft Z = 6
9	04455303.3	1	power take-off shaft Z = 21
10	2.0119.251.2	8	screw m 12 p.1.75 x 60
11	0.012.9605.0/10	1	support
12	0.012.9643.0/20	1	guard
20	2.1011.105.2	2	nut m 8 p.1.25



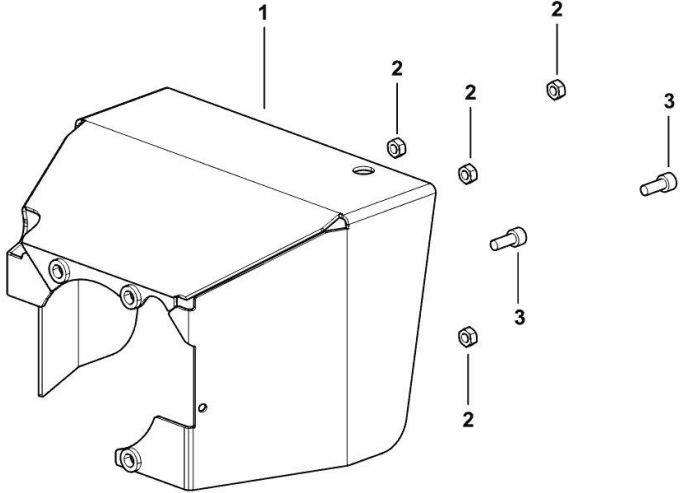
P.T.O. SHAFT PROTECTOR REAR

Fig.	P/n	QTY	Name
------	-----	-----	------

Notes:

- EXPORT U.S.A. [XM 110 -> ZKDL350200TH10001]

1	0.018.9469.3	1	guard
2	2.1011.105.2	3	nut m 8 p.1.25
3	2.0312.206.2	1	screw m 8 p 1.25 x 20



9_L4736_20_0-A-001

<https://www.ebooklibonline.com>

Hello dear friend!

Thank you very much for reading.

Enter the link into your browser.

The full manual is available for immediate download.

<https://www.ebooklibonline.com>