

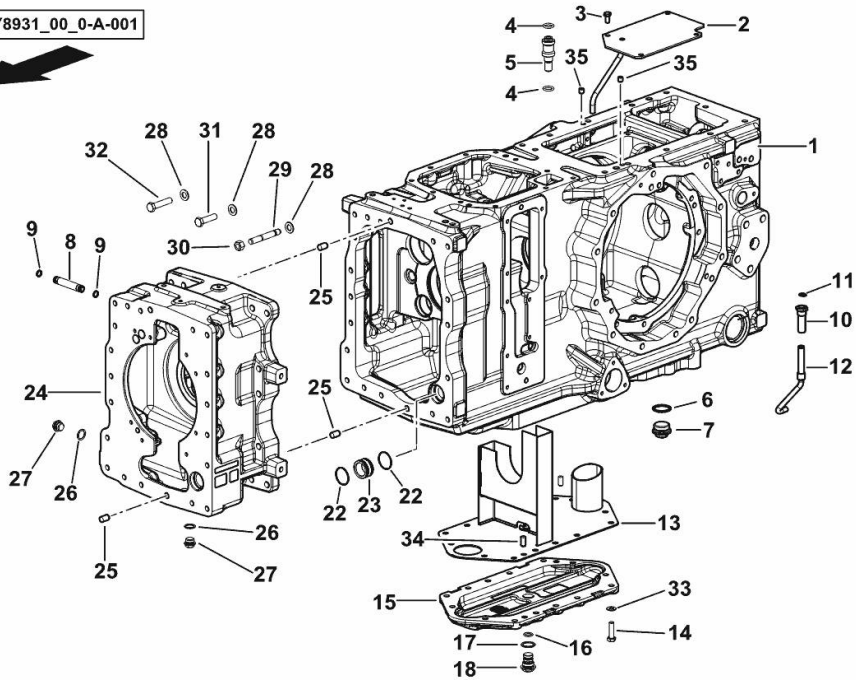
GEARBOX - REAR

Fig.	P/n	QTY	Name
------	-----	-----	------

Notes:

[XM 110 T4i V-DRIVE]

9_Y8931_00_0-A-001



1	0.018.5100.0/40	1	gear box
2	0.018.6701.2	1	plate
3	2.0112.205.2	4	screw m 8 p.1.25 x 16
4	2.1532.507.0	2	oil seal 17x3.53
5	0.018.7625.0/10	1	pin
6	2.1560.056.0	1	gasket 33x39
7	2.3110.516.7	1	plug 1" gas
8	0.015.3710.0/10	7	tube
9	2.1532.024.0	14	oil seal 10.77x2.62
10	0.015.4417.0/20	1	bushing
11	2.1410.002.2	1	circlip
12	0.020.1862.2	1	tube
13	0.020.5504.2	1	plate
14	2.0112.313.2	14	screw m 10 p.1.5 x 35
15	0.016.1615.0/20	1	cover
16	2.1530.037.0	1	oil seal 15.08x2.62
17	2.1560.019.0	1	copper gasket 24.3x30
18	0.016.1641.0	1	plug
22	2.1532.091.0	2	ring 34.60 x 2.62
23	0.015.6319.0	1	sleeve
24	0.018.6613.0/10	1	body
25	2.1655.650.0	3	pin
26	2.1560.014.0	2	washer 18.2 x 24
27	2.3110.405.2	2	plug m 18 p.1.5 x 15
28	2.1475.004.7	18	washer 13 x 24
29	2.0432.269.2	6	old part number
30	2.1011.422.2	6	nut m 12 p.1.25
31	2.0112.417.2	4	screw m 12 p.1.75 x 45
32	2.0112.420.2	8	screw m 12 p.1.75x55
33	2.1475.003.2	14	washer 10
34	2.1655.550.0	2	pin
35	2.0512.303.7	2	screw m 10 p.1.5 x 10

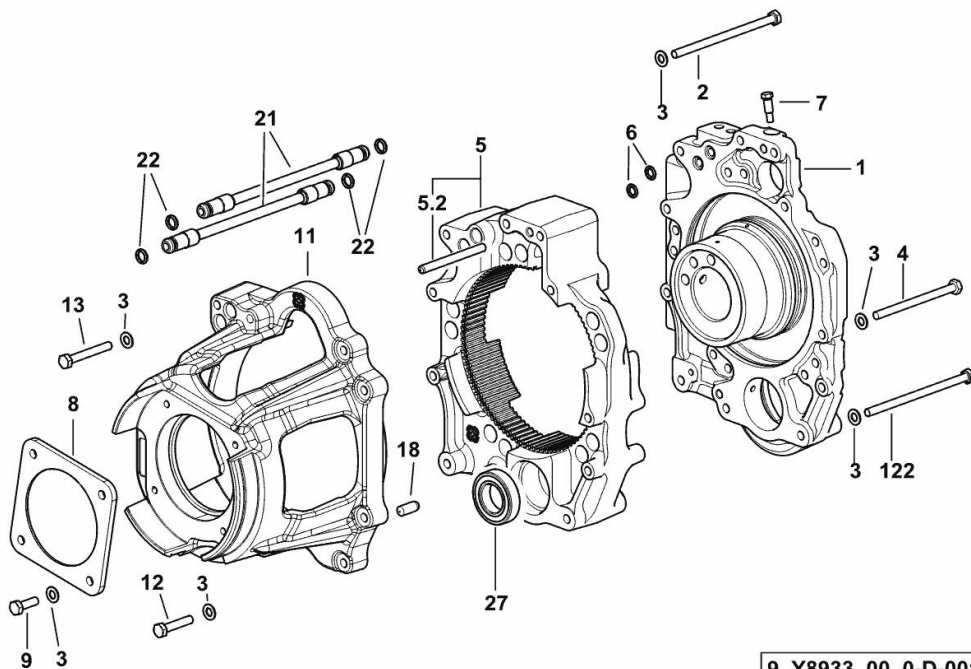
GEARBOX INTERNAL FLANGES

Fig.	P/n	QTY	Name
------	-----	-----	------

Notes:

[XM 110 T4i V-DRIVE]

1	0.018.6615.3/20	1	flange
2	2.0112.237.2	3	screw m 8 p.1.25x140
3	2.1475.002.7	23	washer 8.4
4	2.0112.231.2	6	screw m 8 p.1.25 x 110
5	0.018.6616.3	1	flange
5.2	2.1655.455.0	2	pin 8x90
6	2.1530.018.0	2	oil seal 9.19 x 2.62
7	2.0399.323.2	1	screw m 8 p.1
8	0.019.0754.0	1	flange
9	2.0112.209.2	4	screw m 8 p 1.25 x 25
11	0.018.6625.0/10	1	cover
12	2.0112.215.2	6	screw m 8 p.1.25 x 40
13	2.0112.221.2	2	screw m 8 p.1.25 x 60
18	2.1655.508.0	1	pin 10x24
21	0.014.9761.2/10	2	tube
22	2.1530.022.0	4	oil seal 9.92x2.62
27	2.2045.011.0	1	ball bearing 35 x 72 x 17
122	2.0112.235.2	2	screw m 8 p.1.25 x 130



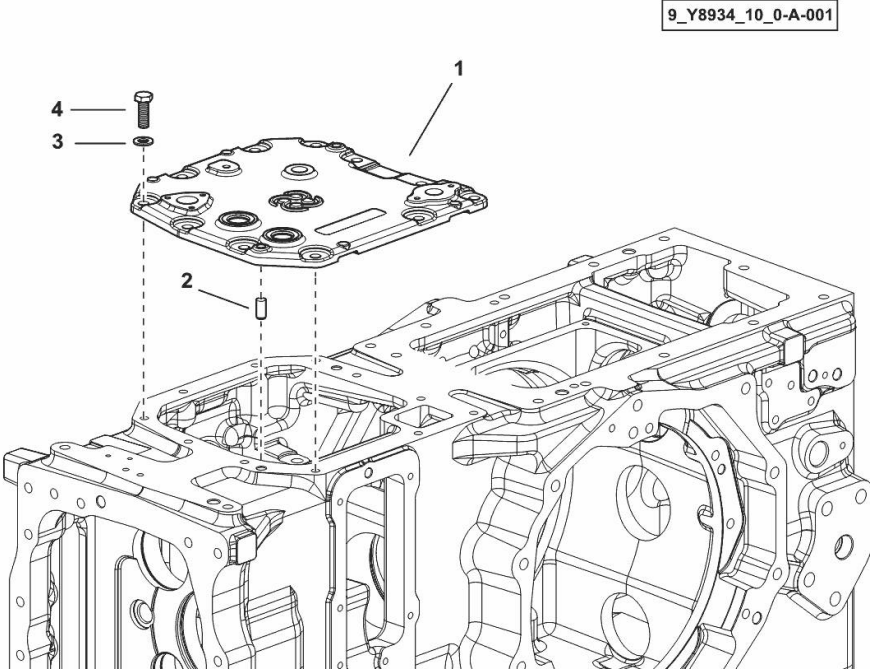
9_Y8933_00_0-D-001

Section: D0 - TRANSMISSION
GEARBOX UPPER COVER

Fig.	P/n	QTY	Name
------	-----	-----	------

Notes:
[XM 110 T4i V-DRIVE]

1	0.018.7562.0/10	1	cover
2	2.1655.550.0	2	pin
3	2.1475.003.2	11	washer 10
4	2.0112.311.2	11	screw m 10 p.1.5 x 30



<https://www.ebooklibonline.com>

Hello dear friend!

Thank you very much for reading.

Enter the link into your browser.

The full manual is available for immediate download.

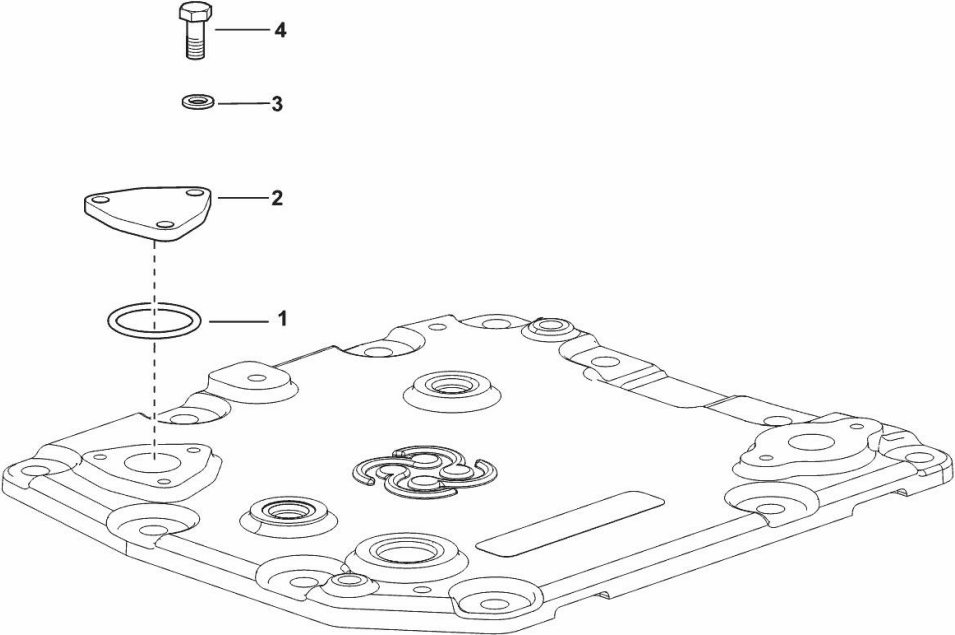
<https://www.ebooklibonline.com>

GEARBOX - WEARING PARTS

Fig.	P/n	QTY	Name
------	-----	-----	------

Notes:
[XM 110 T4i V-DRIVE]

1	2.1532.075.0	1	ring
2	0.017.6425.0	1	flange
3	2.1470.002.2	3	lock washer 6
4	2.0112.005.2	3	screw m 6 p.1 x 16



9_R8982_52_0-A-001

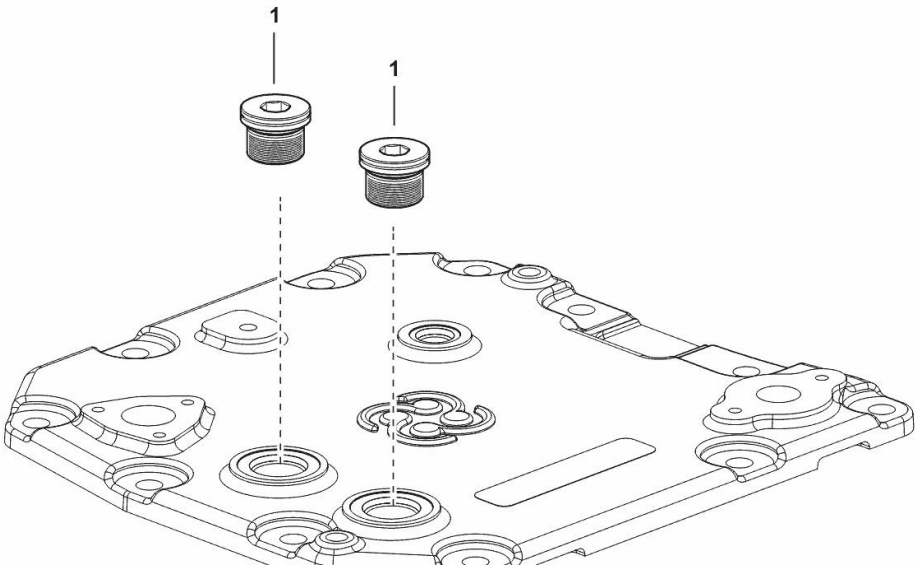
PLUGS

Fig.	P/n	QTY	Name
------	-----	-----	------

Notes:
[XM 110 T4i V-DRIVE]

1	2.3121.008.2	2	plug
---	--------------	---	------

9_Y8982_19_0-A-001



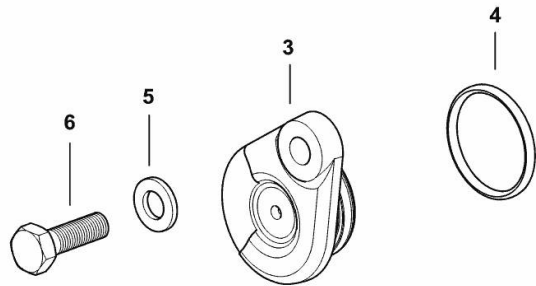
PTO PACKAGE WITHOUT GROUNDSPEED

Fig.	P/n	QTY	Name
------	-----	-----	------

Notes:

[XM 110 T4i V-DRIVE]

3	0.018.7503.0/10	1	flange
4	2.1531.079.0	1	oil seal 29.82 x 2.62
5	2.1475.102.2	1	washer 8.4 x 16
6	2.0112.209.2	1	screw m 8 p 1.25 x 25



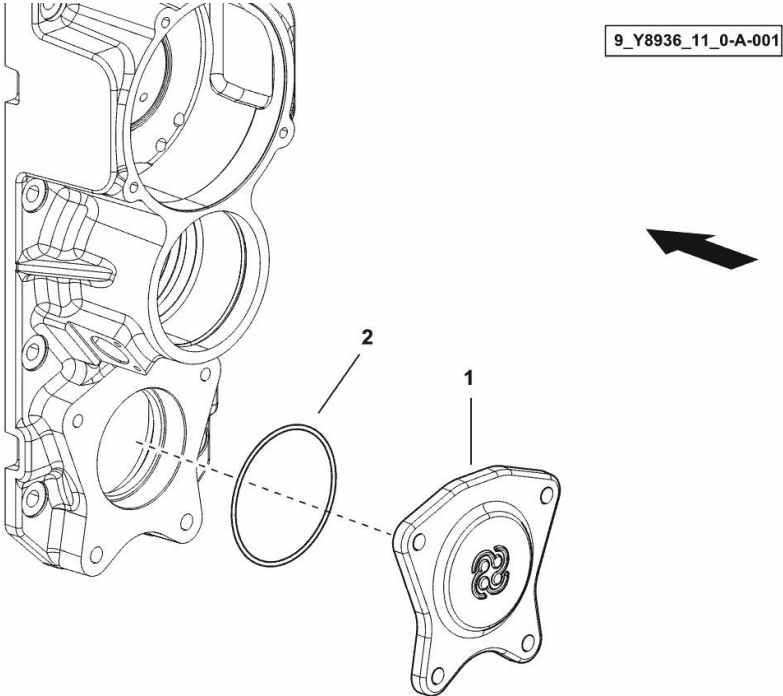
9_Y8936_11_0-B-001

PTO PACKAGE WITHOUT GROUNDSPEED

Fig.	P/n	QTY	Name
------	-----	-----	------

Notes:
[XM 110 T4i V-DRIVE]

1	0.018.7501.0	1	cover
2	2.1539.025.0/10	1	special oil seal 88.57 x 2.62



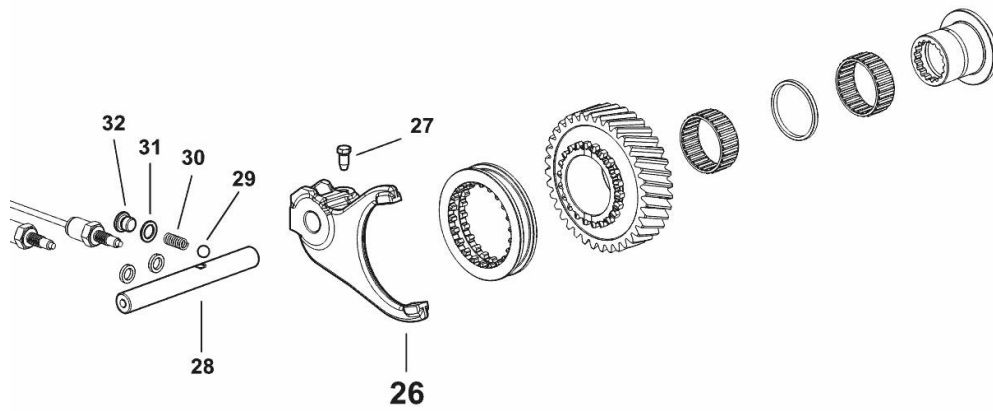
CONTROL FOR HEAVY DUTY RANGE REDUCTION GEAR

Fig.	P/n	QTY	Name
------	-----	-----	------

Notes:

[XM 110 T4i V-DRIVE]

26	0.018.4916.0/10	1	fork
27	2.0399.019.1	1	screw m 8 p.1 x 16
28	0.016.0604.0	1	rod
29	2.2999.156.0	1	ball Ø 10
30	2.4019.622.1	1	spring 6.3 x 9.5 x 1.6 x 22.4
31	2.1560.008.0	1	gasket 12.2 x 18
32	2.3199.164.2/20	1	plug m 12 p.1.5



9_Y8934_00_0-B-001

CONTROL FOR HEAVY DUTY RANGE REDUCTION GEAR

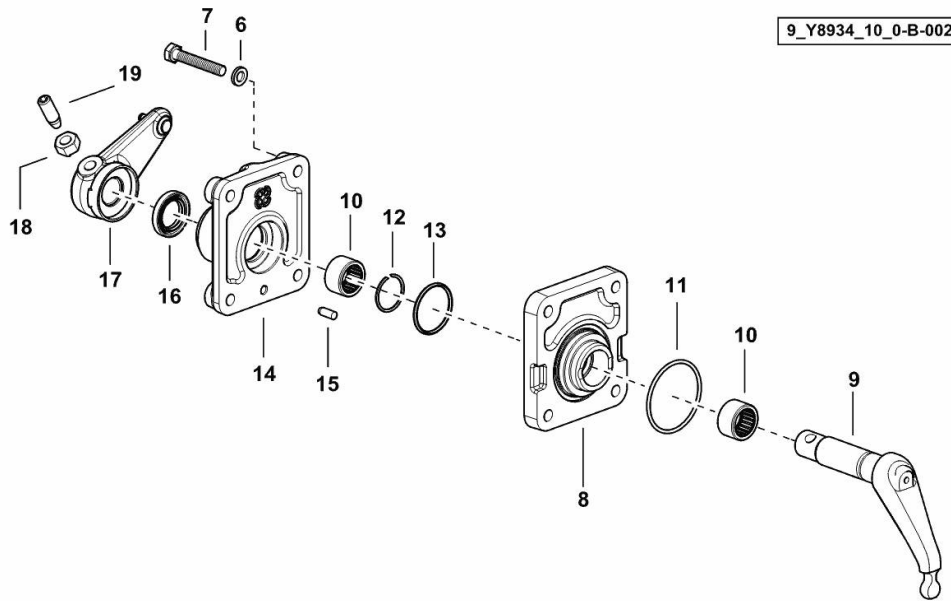


Fig.	P/n	QTY	Name
------	-----	-----	------

Notes:

[XM 110 T4i V-DRIVE]

6	2.1475.102.2	4	washer 8.4 x 16
7	2.0112.219.2	4	screw m 8 p.1.25x55
8	0.018.5099.0/10	1	support
9	0.018.7554.0	1	lever
10	2.2725.030.0	2	roller cage 22 x 28 x 16
11	2.1530.129.0	1	oil seal 52.07x2.62
12	2.1423.019.7	1	ring 28
13	2.1532.091.0	1	ring 34.60 x 2.62
14	0.018.7557.0/10	1	support
15	2.1655.305.0	1	pin
16	2.1519.075.0	1	oil seal 22 x 35 x 6
17	0.016.0583.3	1	lever
18	2.1011.406.2	1	nut m 10 p.1
19	2.0399.050.2	1	screw m 10 p.1 x 30

RANGE REDUCTION GEAR - HEAVY DUTY

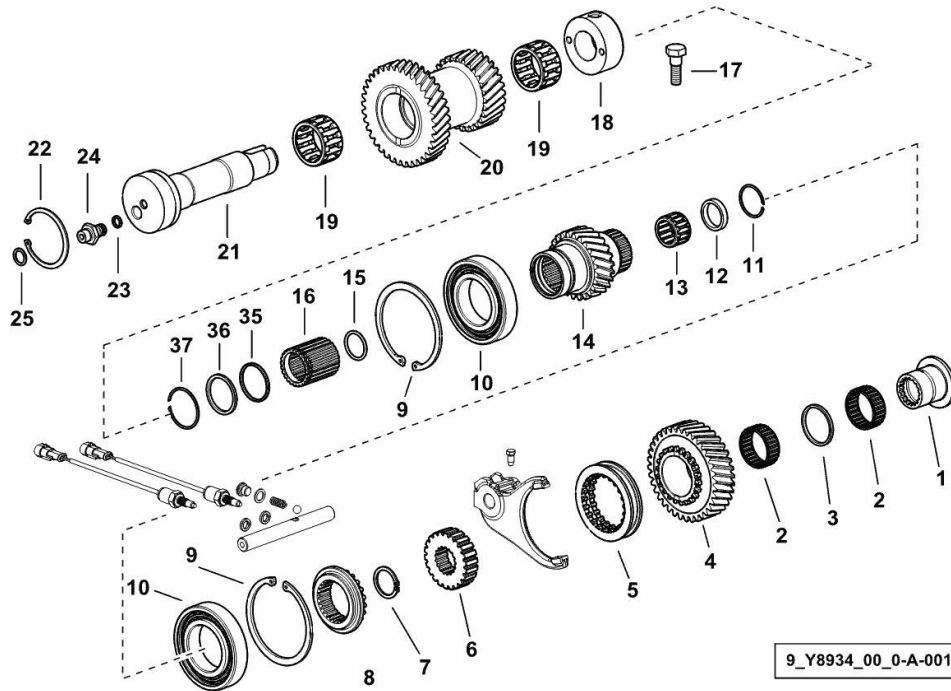


Fig.	P/n	QTY	Name
------	-----	-----	------

Notes:
[XM 110 T4i V-DRIVE]

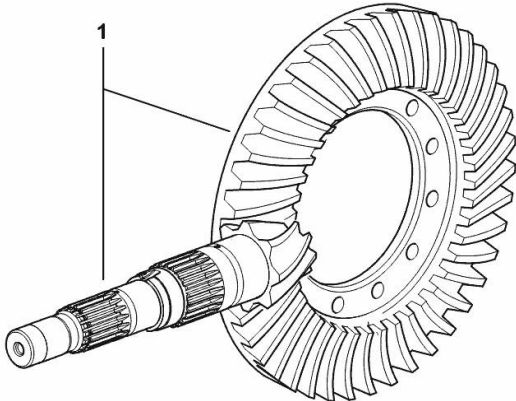
1	0.016.0156.0	1	bushing
2	2.2770.245.0	2	roller cage
3	2.1549.413.0	1	spacer 47x52.8x4
4	0.016.0155.0/10	1	gear Z = 36
5	0.014.3116.0/10	1	sleeve
6	0.016.0154.0	1	hub
7	2.1412.013.7	1	ring Ø 35
8	0.016.0168.0	1	ring
9	2.1411.042.7	2	circlip 110
10	2.2040.016.0	2	ball bearing
11	2.1423.030.7	1	circlip 40
12	2.1549.648.0	1	spacer 32x40x7.5
13	2.2999.452.0	1	roller cage
14	0.018.6589.0/10	1	gear Z = 24
15	2.1530.082.0	1	oil seal 31.34 x 3.53
16	0.018.6831.0/10	1	sleeve
17	2.0399.333.0/10	1	screw
18	0.016.0147.0/20	1	bushing
19	2.2999.504.0	2	roller cage
20	0.016.0145.0/10	1	gear
21	0.016.0148.0/20	1	pin
22	2.1411.030.7	1	circlip 75x2.5
23	2.1532.024.0	1	oil seal 10.77x2.62
24	2.3249.715.2/10	1	pipe fitting m 16x1.5
25	2.1560.012.0	1	gasket 16.2 x 22
35	2.1530.114.0	1	oil seal 44.45x3.53
36	2.1549.200.0/10	1	spacer
37	2.1423.039.7	1	circlip

BEVEL WHEEL GEAR

Fig.	P/n	QTY	Name
------	-----	-----	------

Notes:
[XM 110 T4i V-DRIVE]

1	0.018.7500.3/20	1	bevel drive z=11 z=62
---	-----------------	---	-----------------------



9_Y8935_00_0-A-001

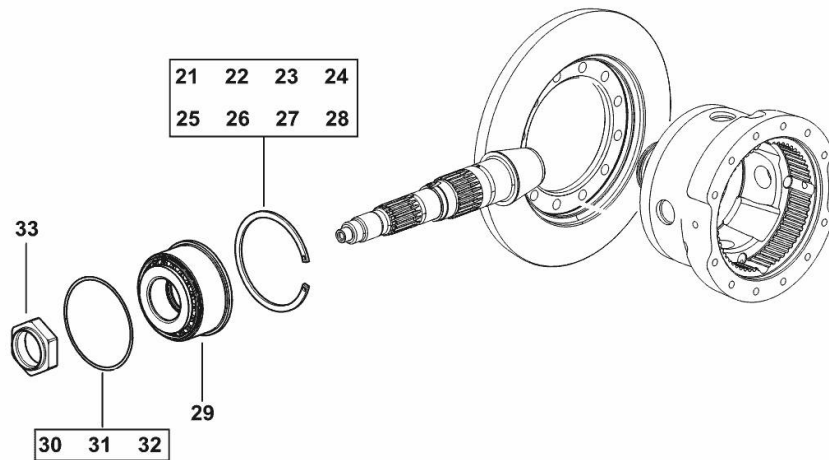
BEVEL DRIVE PINION BEARING

Fig.	P/n	QTY	Name
------	-----	-----	------

Notes:

[XM 110 T4i V-DRIVE]

21	2.1499.061.1	1	circlip 120x3.4
22	2.1499.062.1	1	circlip 120x3.5
23	2.1499.063.1	1	circlip 120x3.6
24	2.1499.064.1	1	circlip 120x3.7
25	2.1499.065.1	1	circlip 120x3.8
26	2.1499.066.1	1	circlip 120x3.9
27	2.1499.067.1	1	circlip 120x4
28	2.1499.068.1	1	circlip 120x4.1
29	2.2999.502.0/10	1	special bearing
30	2.1589.167.0	1	shoulder ring 105 x 112 x 0.15
31	2.1589.168.0	1	shoulder ring 105 x 112 x 0.1
32	2.1589.169.0	1	shoulder ring 105 x 112 x 0.5
33	2.1219.070.1/20	1	ring nut m 45 p.1.5 x 19



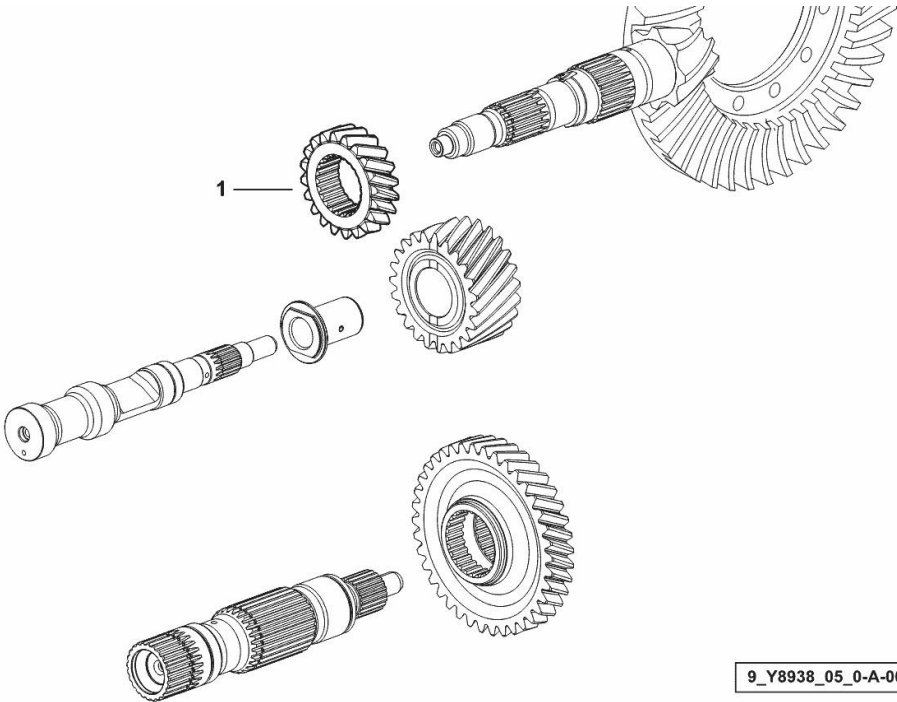
9_J5435_06_0-B-001

RANGE GEARBOX COMPLETION - 4WD

Fig.	P/n	QTY	Name
------	-----	-----	------

Notes:
[XM 110 T4i V-DRIVE]

1	0.018.4530.0	1	gear Z = 20
---	--------------	---	-------------



P.T.O. - HYDRAULIC CLUTCH

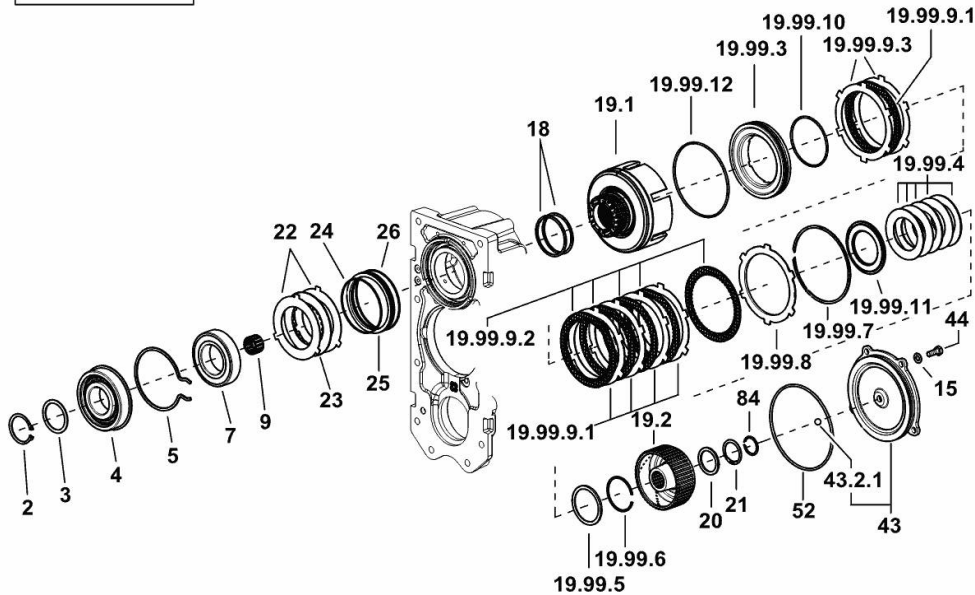
Fig.	P/n	QTY	Name
------	-----	-----	------

Notes:

[XM 110 T4i V-DRIVE]

2	2.1410.018.7	1	circlip 45
3	2.1599.541.0	1	shoulder ring 45x55x2
4	2.2062.013.0	1	ball bearing 45x100x25
5	2.1419.125.7	1	circlip 100
7	2.2041.017.0	1	ball bearing 50 x 90 x 20
9	2.2999.312.0	1	roller cage
15	2.1475.002.7	4	washer 8.4
18	2.1499.126.0/10	2	oil seal 62x68x3
19.1	0.019.0622.3	1	box
19.2	0.019.0623.0	1	hub
19.99.3	0.016.9055.0/10	1	piston
19.99.4	2.1499.252.7	5	spring
19.99.5	2.1549.678.0	1	ring
19.99.6	2.1422.036.7	1	circlip
19.99.7	2.1423.127.7	1	circlip 127
19.99.8	0.016.9068.0/10	1	disc
19.99.9.1	0.016.9060.2	6	clutch plate
19.99.9.2	0.013.9453.0	4	disc mm 1.75
19.99.9.3	0.017.9828.0	2	disc mm 1.55
19.99.10	2.1532.505.0	1	oil seal 77.50 x 2.62
19.99.11	0.016.9065.0	1	cup
19.99.12	2.1532.502.0	1	oil seal 120.32x2.62
20	2.1579.130.0	1	slewing ring
21	2.1419.067.0	1	circlip 35 x 1.5
22	0.007.7102.0	2	disc mm 1.5
23	0.008.9946.2	1	clutch plate
24	2.1532.510.0	1	oil seal 88.62x1.78
25	0.013.8039.0/10	1	piston
26	2.1532.511.0	1	oil seal 94.97x1.78
43	0.013.8035.3	1	cover
43.2.1	2.2810.006.0	1	ball 3/8"
44	2.0112.207.2	4	screw m 8 p 1.25 x 20
52	2.1532.236.0	1	oil seal
84	2.1422.022.7	1	circlip 28

9_Y8936_00_0-B-001

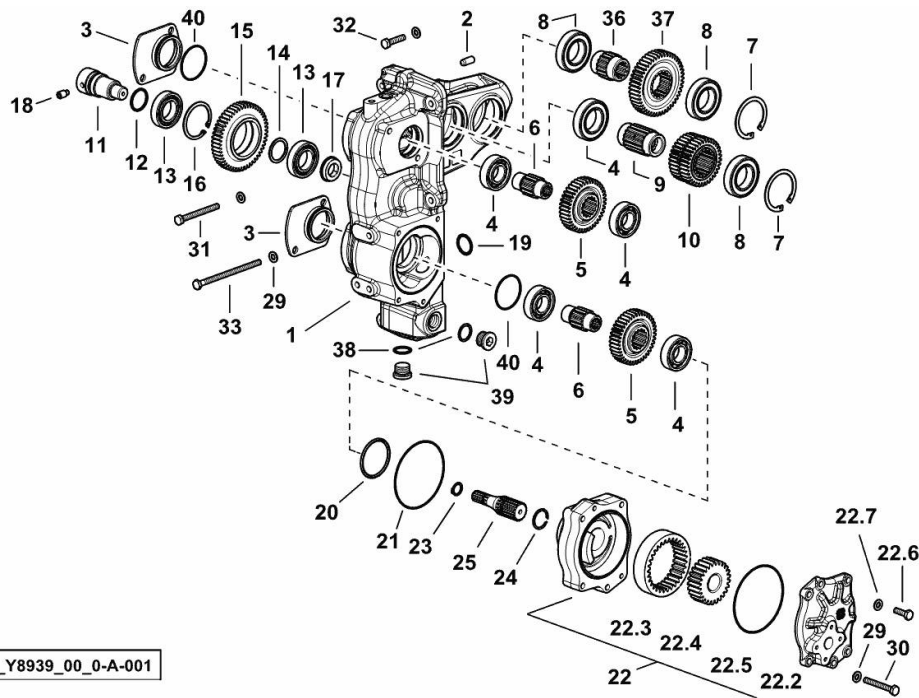


HYDRAULIC PUMP CONTROL

Fig.	P/n	QTY	Name
------	-----	-----	------

Notes:

[XM 110 T4i V-DRIVE]

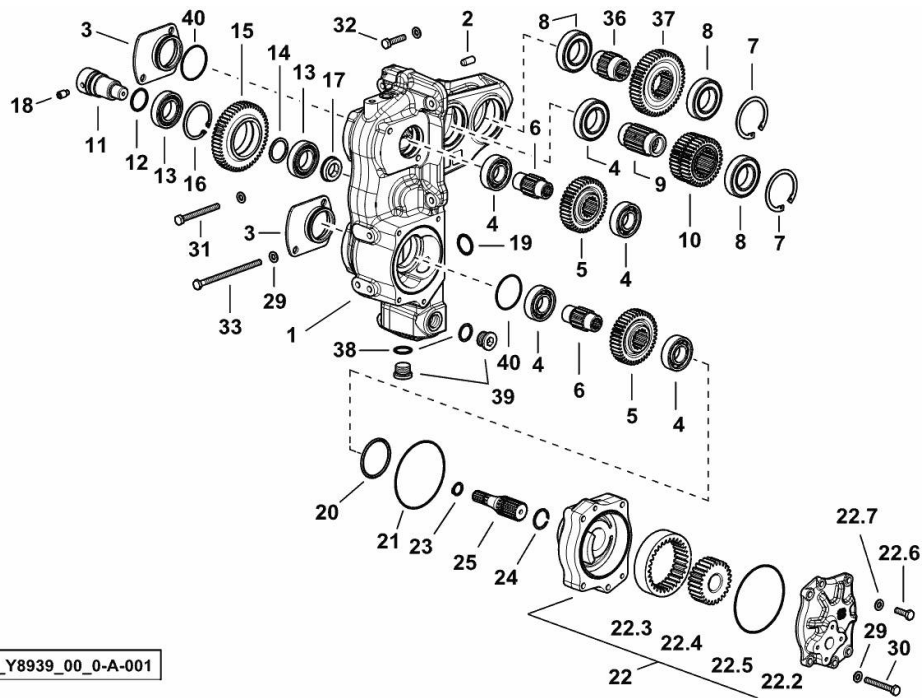


1	0.019.0341.0	1	body
2	2.1655.508.0	2	pin 10x24
3	0.019.0356.0	2	spacer
4	2.2040.007.0	4	ball bearing 25x52x15
5	0.019.0389.0	2	gear (10004 <-)
5	0.019.0389.0/10	2	gear (-> 10005)
6	0.019.0388.3	2	shaft (10004 <-)
6	0.019.0388.3/10	2	shaft (-> 10005)
7	2.1411.025.1	2	circlip 62
8	2.2021.011.0	4	bearing
9	0.014.9837.0/20	1	sleeve
10	0.018.0697.0	1	gear
11	0.013.4696.0/10	1	pin
12	2.1530.079.0	1	oil seal 29.82 x 2.62
13	2.2030.007.0	2	ball bearing 30x55x13
14	0.014.4866.0	1	spacer
15	0.013.4695.0	1	gear Z = 50
16	2.1411.022.1	1	circlip 55
17	0.015.6014.0	1	spacer
18	2.0522.307.7	1	screw m 10
19	2.1530.071.0	1	oil seal 26.64x2.62
20	2.1530.134.0	1	oil seal 53.98x3.53
21	2.1539.103.0/10	1	oil seal 101.32 x 1.78
22	0.014.2153.4/10	1	pump
22.2	0.014.2154.0/20	1	cover
22.3	0.009.2229.0/20	1	crown wheel
22.4	0.009.2230.0/20	1	pinion
22.5	2.1539.103.0/10	1	oil seal 101.32 x 1.78
22.6	2.0112.209.2	2	screw m 8 p.1.25 x 25
22.7	2.1475.102.7	2	washer 8
23	2.1410.004.1	1	circlip 16
24	2.1422.022.7	1	circlip 28
25	0.014.2172.0	1	shaft
29	2.1475.102.7	13	washer 8
30	2.0112.221.2	4	screw m 8 p.1.25 x 60
31	2.0112.225.2	2	screw m 8 p.1.25 x 80
32	2.0112.213.2	5	screw m 8 p.1.25 x 35
33	2.0112.235.2	2	screw m 8 p.1.25 x 130
36	0.014.9842.0/10	1	hub
37	0.018.0696.0	1	gear
38	2.1560.017.0	2	gasket 22.2 x 27

9_Y8939_00_0-A-001

HYDRAULIC PUMP CONTROL

Fig.	P/n	QTY	Name
39	2.3120.002.4	2	plug m 22 x 1.5
40	2.1539.173.0	2	special oil seal 47.35x1.78



9_Y8939_00_0-A-001



Suggest:

For more complete manuals. Please go to the home page.

<https://www.ebooklibonline.com>

If the above button click is invalid. Please download this document first, and then click the above link to download the complete manual.

Thank you so much for reading

Section: D0 - TRANSMISSION
P.T.O. - POWER TAKE OFF

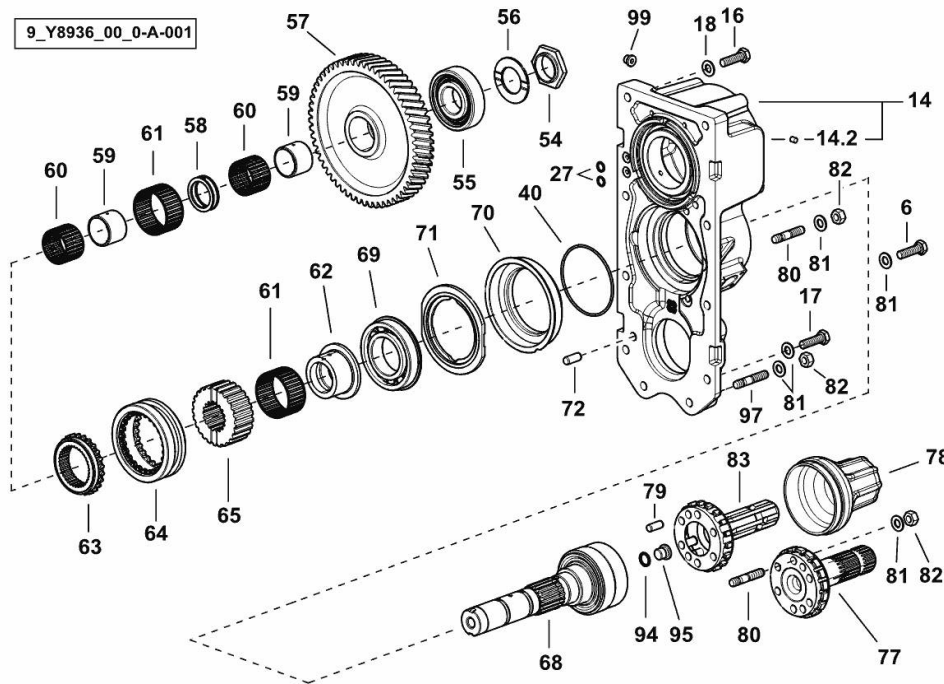


Fig.	P/n	QTY	Name
------	-----	-----	------

Notes:

[XM 110 T4i V-DRIVE]

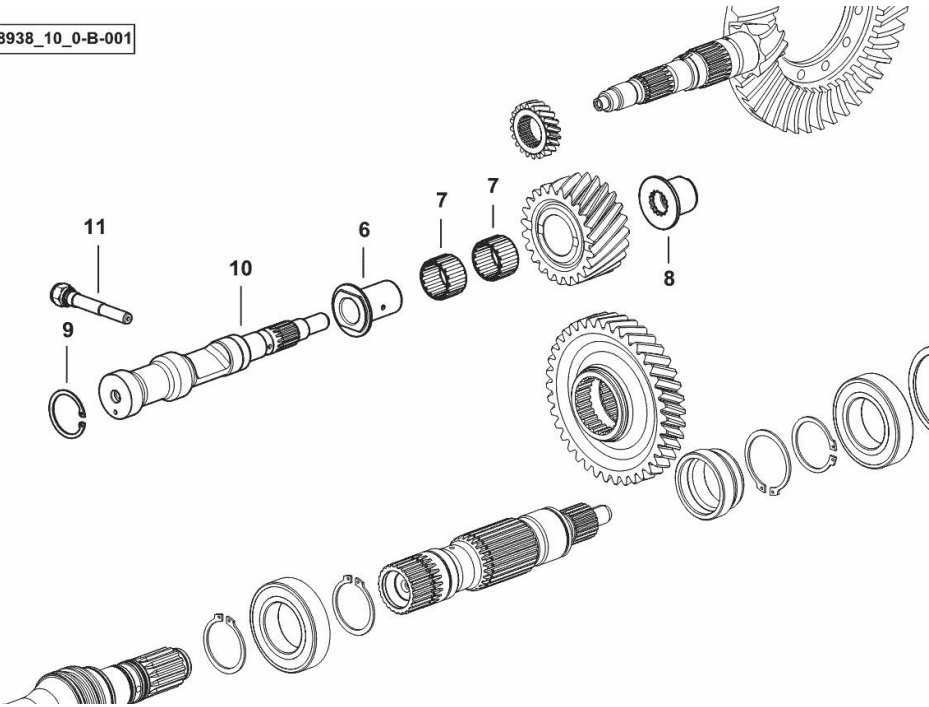
6	2.0112.311.2	2	screw m 10 p.1.5 x 30
14	0.018.5150.3/10	1	box
14.2	2.1890.002.2	2	plug 5
16	2.0112.313.2	2	screw m 10 p.1.5 x 35
17	2.0112.309.2	6	screw m 10 p.1.5 x 25
18	2.1499.126.0/10	2	oil seal 62x68x3
27	2.1531.021.0	2	oil seal 9.66x1.78
40	2.1539.025.0/10	1	special oil seal 88.57 x 2.62
54	0.255.3661.0	1	ring nut m 35x1.5
55	2.2060.011.0	1	ball bearing 35 x 80 x 21
56	2.1599.502.0/10	1	shoulder ring 35x60x3
57	0.015.0269.0/10	1	gear z=58
58	2.1579.129.0	1	spacer 35x45x10.5
59	2.1559.459.0	2	bushing 35x40x30
60	2.2999.218.0	2	roller cage 40 x 45 x 30
61	2.2999.391.0	2	roller cage 55x60x30
62	0.018.7809.0	1	bushing
63	0.013.8018.3	1	hub
64	0.018.4565.0	1	sleeve
65	0.013.8016.0/10	1	hub
68	0.018.7810.3	1	shaft
69	2.2999.204.0	1	special bearing 50 x 90 x 20
70	0.018.8412.0/10	1	bushing
71	0.016.0734.0/10	1	spacer
72	2.1655.505.0	1	pin
77	0.017.1287.0	1	power take-off shaft Z = 21
78	0.014.5725.0	1	guard
79	2.1651.811.0	2	cylindrical plug 10x24
80	2.0432.161.7	6	stud bolt m 10 p.1.5 / p.1.25 x 40
81	2.1475.003.2	15	washer 10
82	2.1011.421.2	7	nut m 10 p.1.25
83	0.017.1311.0	1	power take-off shaft Z = 6
94	2.1560.009.0	1	gasket 14.2x18
95	2.3120.109.0	1	plug m 14
97	2.0432.167.2	2	stud bolt m 10x1.25x60
99	2.3139.029.2	1	plug

Fig.	P/n	QTY	Name
------	-----	-----	------

Notes:
[XM 110 T4i V-DRIVE]

6	0.018.7420.0/10	1	bushing
7	2.2999.119.0	2	roller cage 32x40x25
8	0.018.5491.0/10	1	bushing
9	2.1411.018.7	1	circlip 45
10	0.018.4539.3/10	1	pin
11	2.3249.592.2/10	1	pipe fitting

9_Y8938_10_0-B-001



<https://www.ebooklibonline.com>

Hello dear friend!

Thank you very much for reading.

Enter the link into your browser.

The full manual is available for immediate download.

<https://www.ebooklibonline.com>