

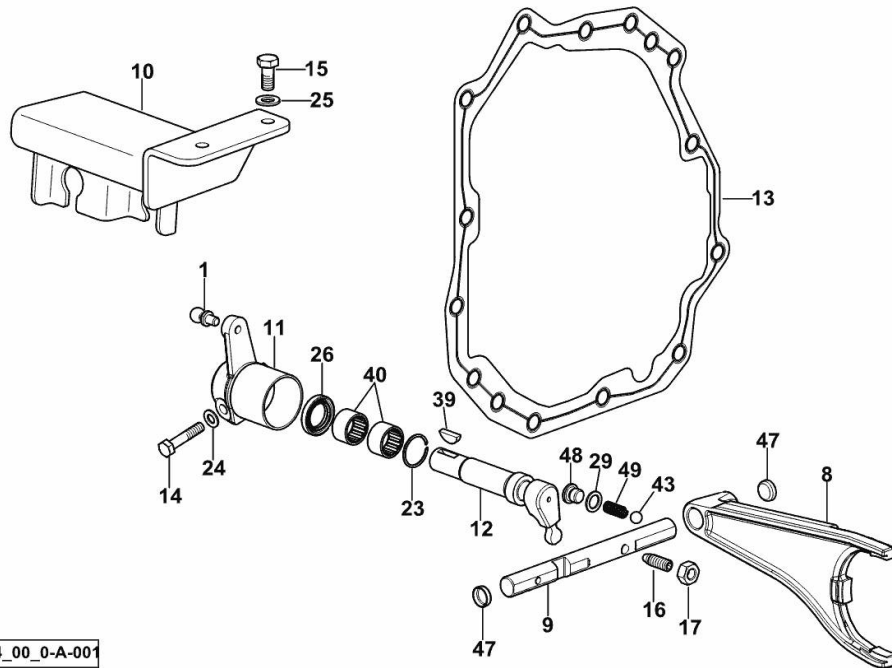
REDUCTION GEAR CONTROL

Fig.	P/n	QTY	Name
------	-----	-----	------

Notes:

[XM 110 T4i HI-LEVEL]

1	0.014.1947.0	1	small pin
8	0.018.8628.0/10	1	fork
9	0.018.8633.0	1	rod
10	0.019.0601.2	1	support
11	0.019.0324.2/10	1	lever
12	0.019.0328.0/10	1	lever
13	0.019.0408.0	1	gasket
14	2.0112.215.2	1	screw m 8 p.1.25 x 40
15	2.0112.308.2	2	screw m 10 p.1.5x22
16	2.0399.050.2	1	screw m 10 p.1 x 30
17	2.1011.406.2	1	nut m 10 p.1
23	2.1423.019.7	1	ring 28
24	2.1475.002.2	1	conical washer 8
25	2.1475.003.2	2	washer 10
26	2.1519.075.0	1	oil seal 22 x 35 x 6
29	2.1560.008.0	1	gasket 12.2 x 18
39	2.1720.010.0	1	key 5x9
40	2.2725.030.0	2	roller cage 22 x 28 x 16
43	2.2999.156.0	1	ball Ø 10
47	2.3171.007.4	2	plug Ø 18
48	2.3199.164.2/20	1	plug m 12 p.1.5
49	2.4019.622.1	1	spring 6.3 x 9.5 x 1.6 x 22.4



9_Y8134_00_0-A-001

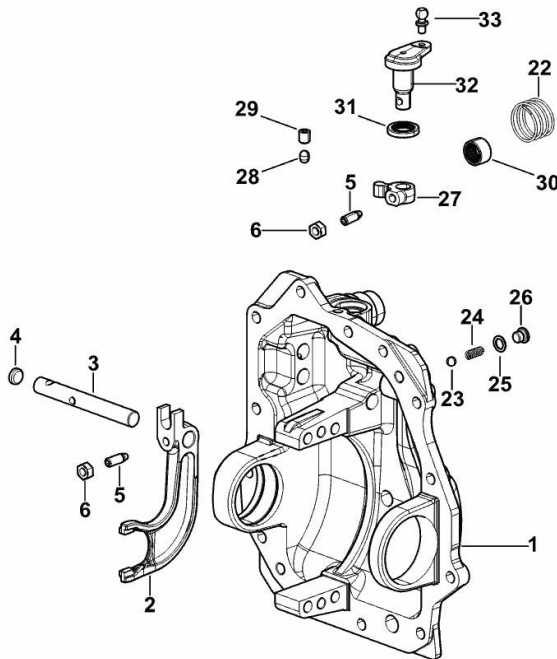
RANGE GEARBOX INTERNAL CONTROLS

Fig.	P/n	QTY	Name
------	-----	-----	------

Notes:

[XM 110 T4i HI-LEVEL]

1	0.018.9749.0/30	1	cover
2	0.018.8775.0/10	1	fork
3	0.018.8634.0	1	rod
4	2.3171.007.4	1	plug Ø 18
5	2.0399.050.2	2	screw m 10 p.1 x 30
6	2.1011.406.2	2	nut m 10 p.1
22	2.4019.836.1	1	spring
23	2.2999.156.0	1	ball Ø 10
24	2.4019.622.1	1	spring 6.3 x 9.5 x 1.6 x 22.4
25	2.1560.008.0	1	gasket 12.2 x 18
26	2.3199.164.2/20	1	plug m 12 p.1.5
27	0.018.9857.0/10	1	small lever
28	2.1699.159.0	1	cap 10 x 14.1
29	2.3131.001.4	1	plug m 12 p.1.5
30	2.2725.030.0	1	roller cage 22 x 28 x 16
31	2.1519.075.0	1	oil seal 22 x 35 x 6
32	0.018.9865.0/10	1	lever
33	0.014.1947.0	1	small pin



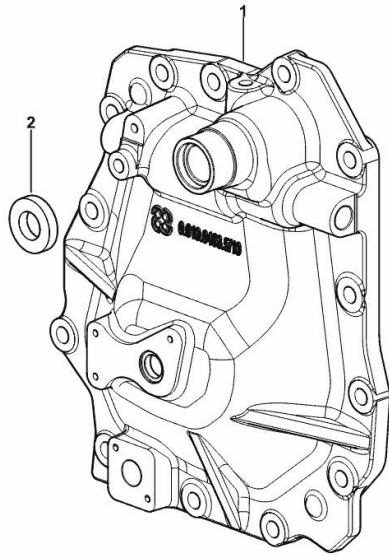
9_Y8134_02_0-A-001

Section: D0 - TRANSMISSION
RANGE GEARBOX COVER

Fig.	P/n	QTY	Name
------	-----	-----	------

Notes:
 [XM 110 T4i HI-LEVEL]

1	0.019.0463.0/20	1	cover
2	2.1549.749.2	1	spacer 22.2x43x8.8



9_Y8134_01_0-A-001

<https://www.ebooklibonline.com>

Hello dear friend!

Thank you very much for reading.

Enter the link into your browser.

The full manual is available for immediate download.

<https://www.ebooklibonline.com>

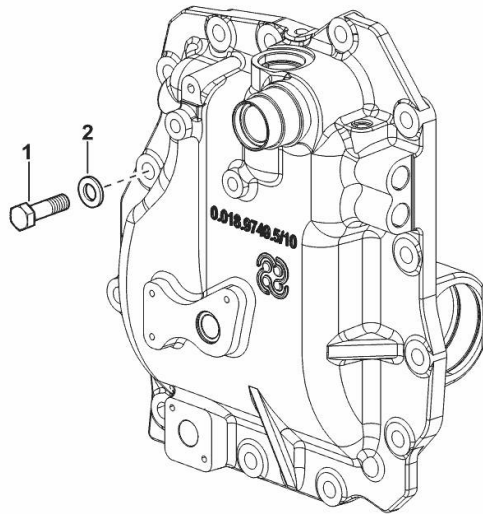
RANGE GEARBOX COMPLETION

Fig.	P/n	QTY	Name
------	-----	-----	------

Notes:

[XM 110 T4i HI-LEVEL]

1	2.0112.415.2	1	screw m 12 p.1.75 x 40
2	2.1475.104.7	1	washer 13 x 24



9_Y8134_07_0-A-001

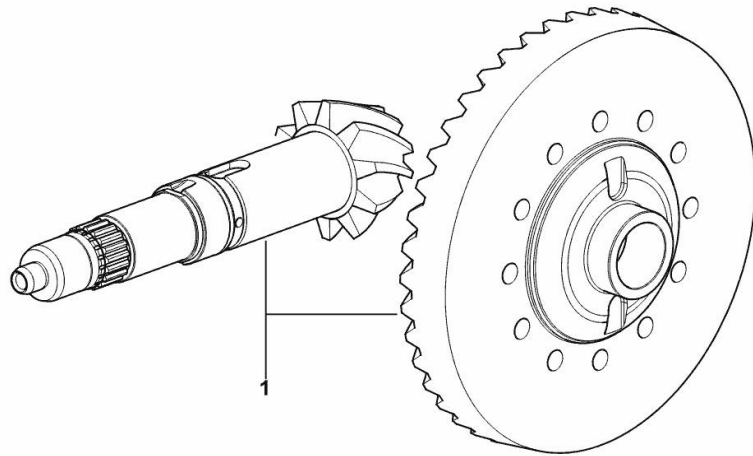
BEVEL WHEEL GEAR Z = 10 / Z = 39

Fig.	P/n	QTY	Name
------	-----	-----	------

Notes:

[XM 110 T4i HI-LEVEL]

1	0.018.8248.3/20	1	bevel drive Z = 10 / Z = 39
---	-----------------	---	-----------------------------



9_Y8135_01_0-A-001

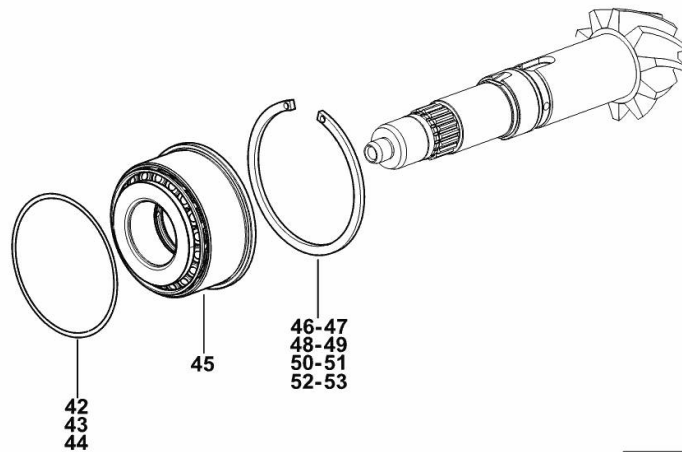
BEVEL DRIVE PINION BEARING

Fig.	P/n	QTY	Name
------	-----	-----	------

Notes:

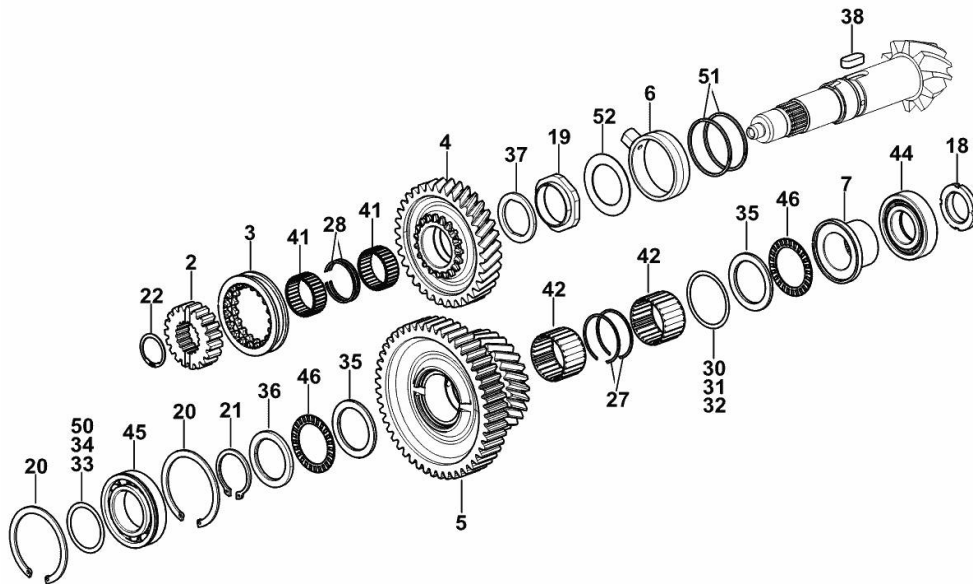
[XM 110 T4i HI-LEVEL]

42	2.1589.167.0	1	shoulder ring 105 x 112 x 0.15
43	2.1589.168.0	1	shoulder ring 105 x 112 x 0.1
44	2.1589.169.0	1	shoulder ring 105 x 112 x 0.5
45	2.2999.502.0/10	1	special bearing
46	2.1499.061.1	0.12	circlip 120x3.4
47	2.1499.062.1	0.12	circlip 120x3.5
48	2.1499.063.1	0.12	circlip 120x3.6
49	2.1499.064.1	0.12	circlip 120x3.7
50	2.1499.065.1	0.12	circlip 120x3.8
51	2.1499.066.1	0.12	circlip 120x3.9
52	2.1499.067.1	0.12	circlip 120x4
53	2.1499.068.1	0.12	circlip 120x4.1



9_Y8135_00_0-B-001

SPEED RANGE REDUCTION GEAR UNIT



9_Y8134_00_0-B-001

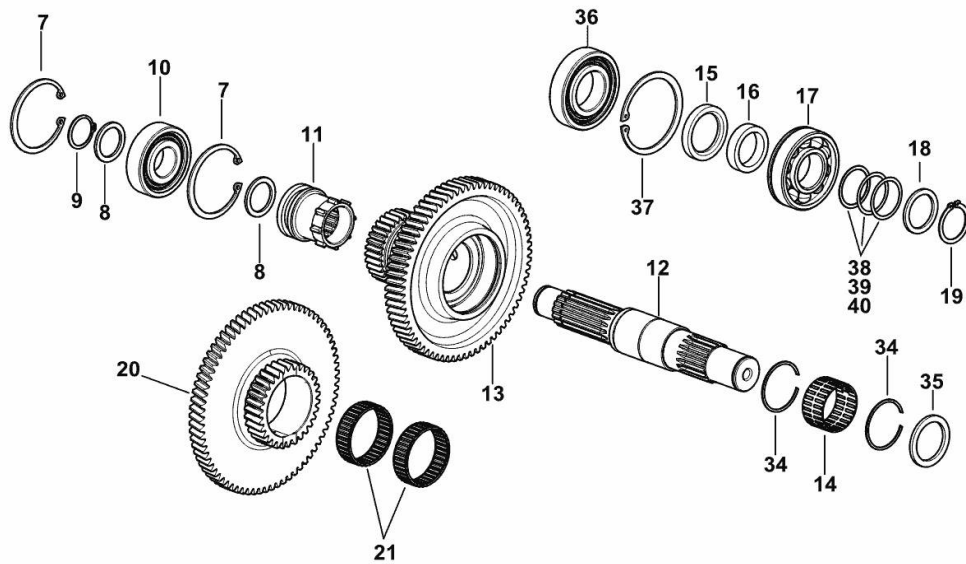
Fig.	P/n	QTY	Name
------	-----	-----	------

Notes:

[XM 110 T4i HI-LEVEL]

2	0.018.8256.0	1	hub
3	0.018.8258.0	1	sleeve
4	0.018.8263.0	1	gear Z = 34 - 26
5	0.018.8274.0/30	1	gear
6	0.020.0081.0	1	manifold
7	0.018.8580.0/10	1	bushing
18	2.1219.068.2	1	ring nut m 38 x 1.5
19	2.1219.075.7/10	1	ring nut
20	2.1411.036.1	2	circlip 90
21	2.1412.019.7	1	circlip 50x3
22	2.1419.067.0	1	circlip 35 x 1.5
27	2.1423.043.0	2	circlip 58x1.5
28	2.1423.038.7	2	circlip 50
30	2.1580.204.0	1	shim 60.5x70x0.2
31	2.1580.205.0	2	shim 60.5x70x0.5
32	2.1580.213.0	2	shim 60.5x70x0.15
33	2.1580.216.0	2	shim 50.5x62x0.5
34	2.1580.215.0	1	shim 50.5x62x0.2
35	2.1599.549.0	2	slewing ring 52x70x4
36	2.1599.550.0	1	shoulder ring 50x68x5
37	2.1599.923.0	1	shoulder ring 45x60x4
38	2.1799.038.0	1	key
41	2.2770.077.0	2	roller cage 42x50x20
42	2.2999.126.0	2	roller cage 50x58x35
44	2.2999.174.0/10	1	special bearing 40 x 80 x 18
45	2.2999.203.0	1	special bearing 50 x 90 x 20
46	2.2999.228.0	2	roller cage 50x70x3
50	2.1580.217.0	2	shim 50.5x62 0.05
51	2.1569.245.0	2	oil seal 66x70x2
52	2.1599.927.0	1	spacer 50.2x75x1.5

SPEED RANGE REDUCTION GEAR UNIT



9_Y8134_02_0-B-001

Fig.	P/n	QTY	Name
------	-----	-----	------

Notes:

[XM 110 T4i HI-LEVEL]

7	2.1411.029.1	2	circlip 72
8	2.1549.605.0	2	spacer 30x40x3
9	2.1410.012.7	1	circlip
10	2.2060.009.0	1	ball bearing 30 x 72 x 19
11	0.018.8721.0/10	1	sleeve
12	0.019.1782.0	1	shaft
13	0.018.7350.0	1	gear Z = 32 / 70
14	2.2999.456.0	1	roller cage 45x50x27
15	2.1549.763.0	1	spacer 40x55x8
16	2.1549.740.0	1	spacer 35.2x50x11
17	2.2999.235.0	1	special bearing 35 x 80 x 21
18	2.1599.874.0	1	washer 35 x 45 x 3.0
19	2.1410.014.7	1	circlip 35
20	0.018.8367.0	1	gear Z = 73 / 31
21	2.2770.282.0	2	roller cage 55x62x18
34	2.1423.038.7	2	circlip 50
35	2.1599.791.0/10	1	spacer
36	2.2040.012.0	1	ball bearing iso 40 bc 02
37	2.1411.032.7	1	circlip Ø mm 80
38	2.1580.101.0	0.3	shim 36 x 43 x 0.2
39	2.1580.102.0	0.3	shim 36 x 43 x 0.5
40	2.1580.109.0	0.4	shim 36x43x0.15

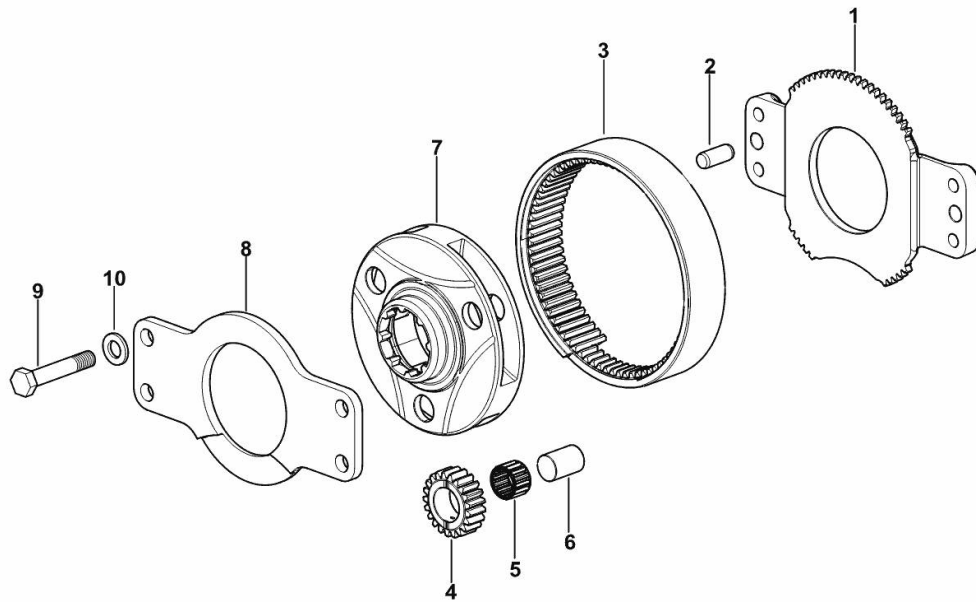
CREEPER GEARS

Fig.	P/n	QTY	Name
------	-----	-----	------

Notes:

[XM 110 T4i HI-LEVEL]

1	0.019.1988.0	1	flange
2	2.1651.912.0	2	cylindrical plug 12x28
3	0.018.8709.0	1	crown wheel
4	0.018.8647.0	3	planet gear Z=21
5	2.2770.165.0	3	roller cage 20x26x17
6	0.018.8710.0	3	pin
7	0.018.8746.0	1	spider
8	0.018.8714.0/10	1	flange
9	2.0112.422.2	4	screw m 12 p.1.75 x 65
10	2.1475.104.7	4	washer 13 x 24



9_Y8134_04_0-A-001

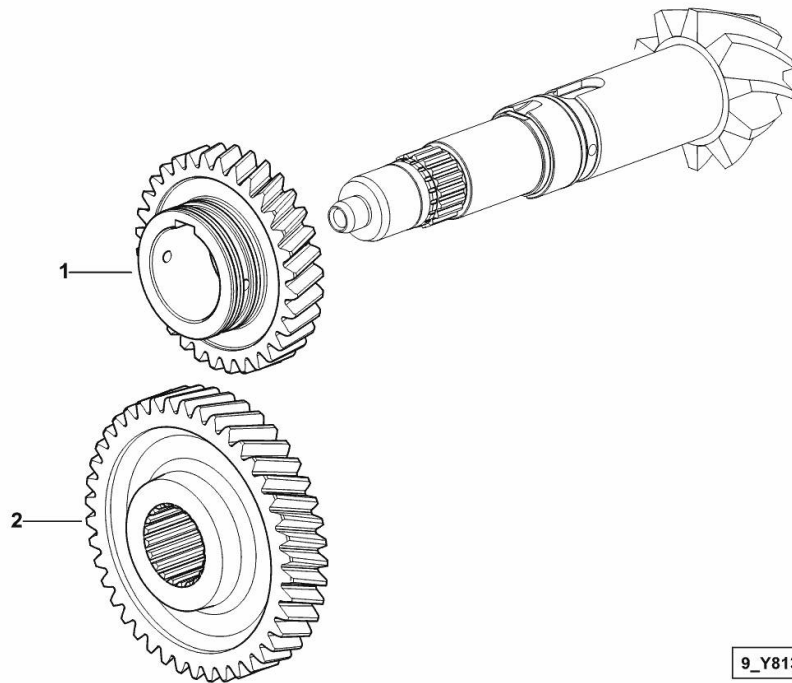
RANGE GEARBOX COMPLETION

Fig.	P/n	QTY	Name
------	-----	-----	------

Notes:

[XM 110 T4i HI-LEVEL]

1	0.018.8493.0/10	1	gear Z = 32
2	0.018.8499.0/10	1	gear Z = 42



9_Y8134_05_0-A-001

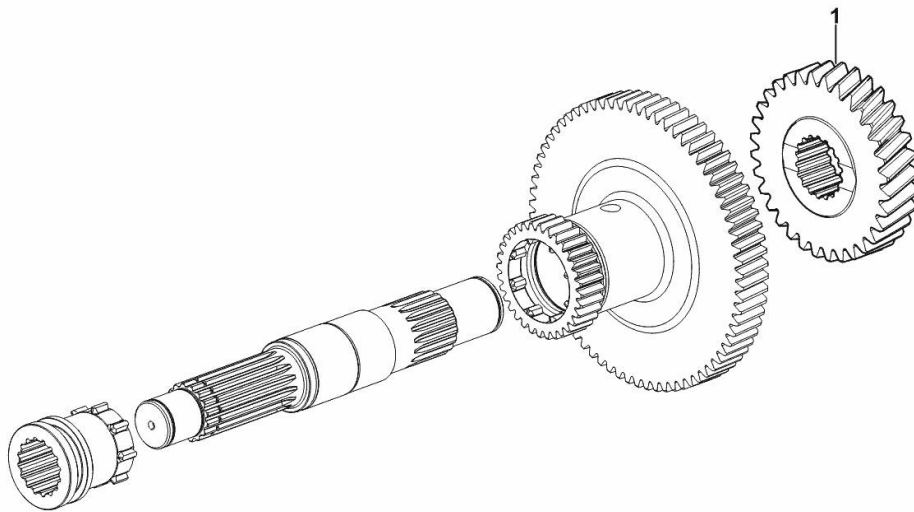
RANGE GEARBOX COMPLETION

Fig.	P/n	QTY	Name
------	-----	-----	------

Notes:

[XM 110 T4i HI-LEVEL]

1	0.019.0368.0	1	gear Z = 32
---	--------------	---	-------------



9_Y8134_06_0-A-001

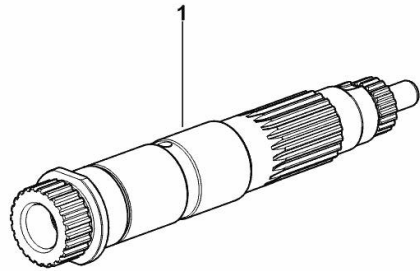
SPEED RANGE REDUCTION GEAR SHAFT - 4WD

Fig.	P/n	QTY	Name
------	-----	-----	------

Notes:

- FOR TYPES WITH SBA / ASM [XM 110 T4i HI-LEVEL]

1	0.018.9839.0/30	1	shaft
---	-----------------	---	-------



9_Y8138_01_0-B-001

P.T.O. - ELECTROHYDRAULICALLY CONTROLLED HYDRAULIC CLUTCH

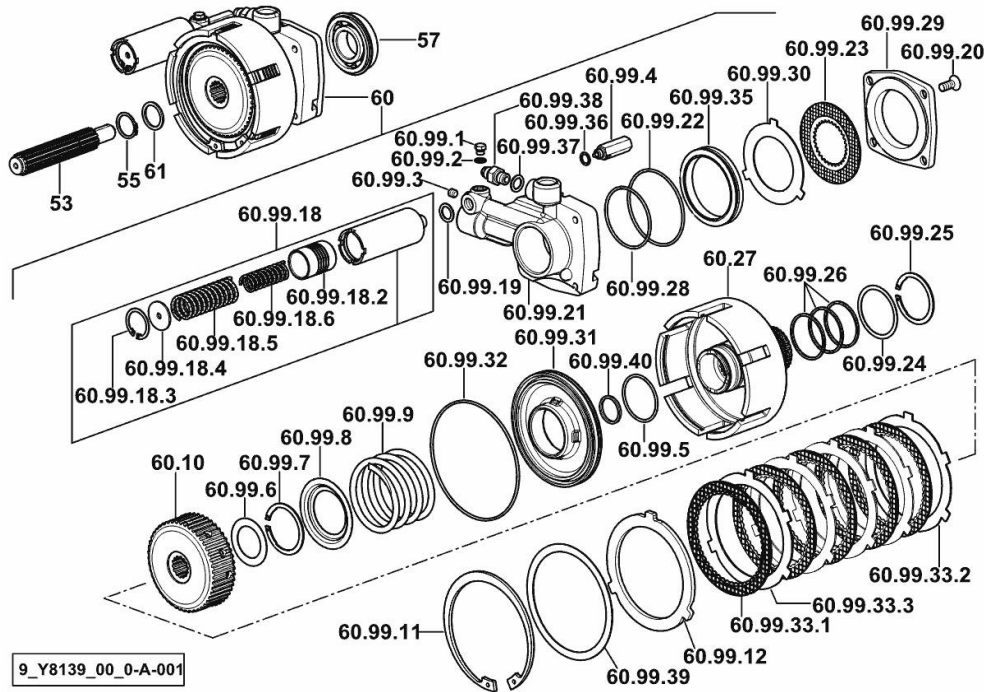


Fig.	P/n	QTY	Name
------	-----	-----	------

Notes:

[XM 110 T4i HI-LEVEL] 10005 <-

53	0.445.3930.0	1	shaft
55	2.1410.009.7	1	circlip 24
57	2.2043.009.0	1	ball bearing 30x62x16
60	0.018.9213.4	1	hydraulic PTO clutch
60.10	0.008.8806.0/20	1	hub
60.27	0.008.4043.0/40	1	box
60.99.1	2.3110.428.1	1	plug m 8 p.1 x 10
60.99.2	2.1560.003.0	1	copper gasket 8.2 x 12
60.99.3	2.0512.202.7	1	screw m 8 p.1.25 x 8
60.99.4	0.009.2445.4/20	1	valve
60.99.5	2.1539.067.0	1	special oil seal 44.12x2.72
60.99.6	2.1599.415.0	1	shoulder ring 35x52x1
60.99.7	2.1419.027.1	1	circlip 48
60.99.8	0.255.3933.0	1	disc
60.99.9	2.4019.373.1	1	spring 79.5x61.5x6.5
60.99.11	2.1419.035.1	1	circlip 127
60.99.12	0.255.3969.0/10	1	disc
60.99.18	0.010.0526.4/10	1	accumulator P.T.O.
60.99.18.2	0.010.0525.0	1	piston
60.99.18.3	2.1411.013.7	1	circlip Ø 32
60.99.18.4	2.1599.241.0	1	shoulder ring
60.99.18.5	2.4019.636.1	1	spring 20.8 x 27.2 x 3.2 x 86.5
60.99.18.6	2.4019.638.1	1	spring 14.2 x 19.4 x 2.6 x 58
60.99.19	2.1560.010.0	1	gasket 14.2 x 20
60.99.20	2.0342.305.2	4	screw m 8 p.1.25 x 20
60.99.21	0.008.3063.0/40	1	spool valve
60.99.22	2.1532.505.0	1	oil seal 77.50 x 2.62
60.99.23	0.014.0360.2	1	brake disc
60.99.24	2.1599.416.0	1	shoulder ring 50x58x1
60.99.25	2.1419.027.1	1	circlip 48
60.99.26	2.1569.109.0/10	3	gasket 46 x 50 x 2.0
60.99.28	2.1532.150.0	1	oil seal 61.60x2.62
60.99.29	0.255.3926.0/10	1	cover
60.99.30	0.013.8983.0	1	disc mm 1.5
60.99.31	0.255.3938.0/40	1	piston
60.99.32	2.1539.064.0	1	special oil seal 120.33x2.62
60.99.33.1	0.016.9060.2	5	clutch plate
60.99.33.2	0.017.9828.0	2	disc mm 1.55
60.99.33.3	0.013.9453.0	3	disc mm 1.75



Suggest:

For more complete manuals. Please go to the home page.

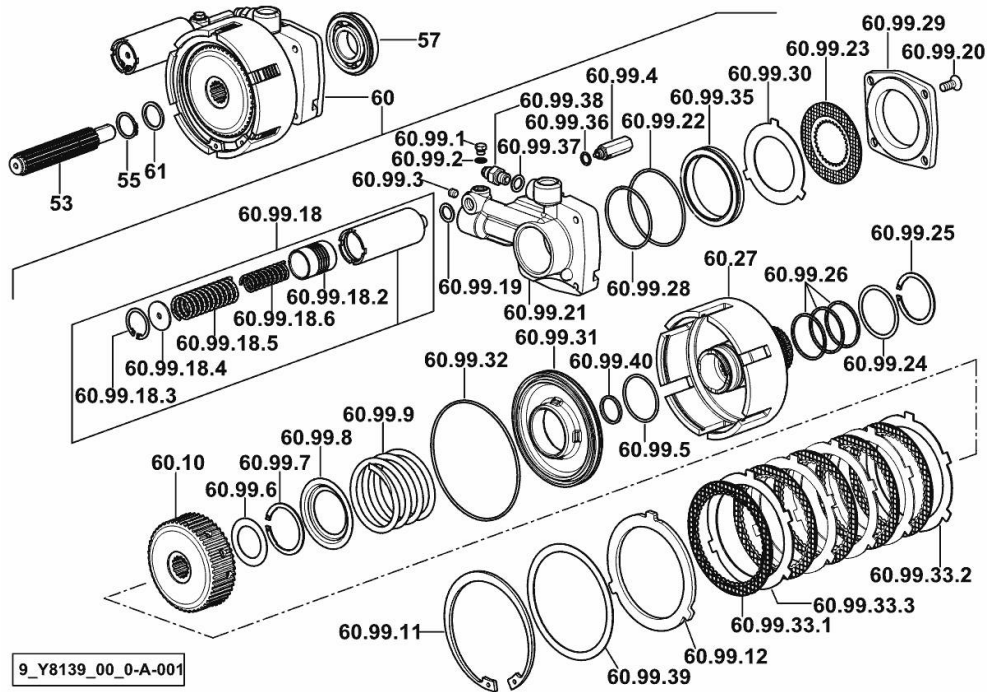
<https://www.ebooklibonline.com>

If the above button click is invalid. Please download this document first, and then click the above link to download the complete manual.

Thank you so much for reading

P.T.O. - ELECTROHYDRAULICALLY CONTROLLED HYDRAULIC CLUTCH

Fig.	P/n	QTY	Name
60.99.35	0.255.3922.0/40	1	piston D 84
60.99.36	2.1560.005.0	1	copper gasket 10.2 x 14
60.99.37	2.1560.008.0	1	gasket 12.2 x 18
60.99.38	2.3339.453.2	1	pipe fitting m 12 p.1.25-1/2"
60.99.39	2.1599.499.0	1	shoulder ring 110 x 126.5 x 1.2
60.99.40	2.1530.062.0	1	oil seal 23.81 x 2.62
61	2.1599.761.0	1	slewing ring 24x30x2



P.T.O. - ELECTROHYDRAULICALLY CONTROLLED HYDRAULIC CLUTCH

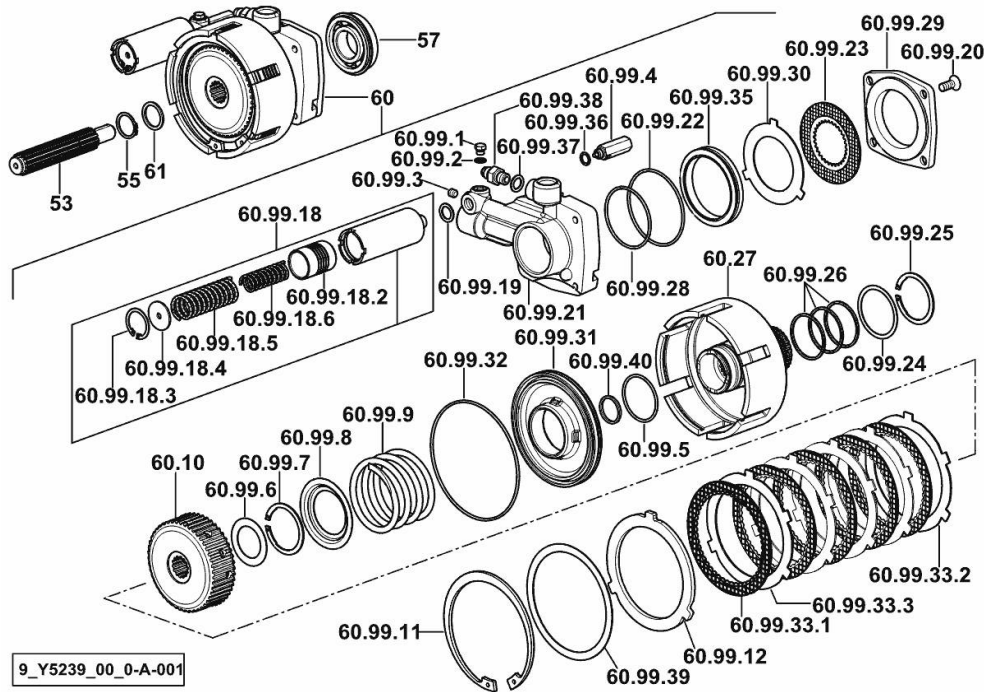


Fig.	P/n	QTY	Name
53	0.445.3930.0	1	shaft
55	2.1410.009.7	1	circlip 24
57	2.2043.009.0	1	ball bearing 30x62x16
60	0.018.9213.4	1	hydraulic PTO clutch
60.10	0.008.8806.0/20	1	hub
60.27	0.008.4043.0/40	1	box
60.99.1	2.3110.428.1	1	plug m 8 p.1 x 10
60.99.2	2.1560.003.0	1	copper gasket 8.2 x 12
60.99.3	2.0512.202.7	1	screw m 8 p.1.25 x 8
60.99.4	0.009.2445.4/20	1	valve
60.99.5	2.1539.067.0	1	special oil seal 44.12x2.72
60.99.6	2.1599.415.0	1	shoulder ring 35x52x1
60.99.7	2.1419.027.1	1	circlip 48
60.99.8	0.255.3933.0	1	disc
60.99.9	2.4019.373.1	1	spring 79.5x61.5x6.5
60.99.11	2.1419.035.1	1	circlip 127
60.99.12	0.255.3969.0/10	1	disc
60.99.18	0.010.0526.4/10	1	accumulator P.T.O.
60.99.18.2	0.010.0525.0	1	piston
60.99.18.3	2.1411.013.7	1	circlip Ø 32
60.99.18.4	2.1599.241.0	1	shoulder ring
60.99.18.5	2.4019.636.1	1	spring 20.8 x 27.2 x 3.2 x 86.5
60.99.18.6	2.4019.638.1	1	spring 14.2 x 19.4 x 2.6 x 58
60.99.19	2.1560.010.0	1	gasket 14.2 x 20
60.99.20	2.0342.305.2	4	screw m 8 p.1.25 x 20
60.99.21	0.008.3063.0/40	1	spool valve
60.99.22	2.1532.505.0	1	oil seal 77.50 x 2.62
60.99.23	0.014.0360.2	1	brake disc
60.99.24	2.1599.416.0	1	shoulder ring 50x58x1
60.99.25	2.1419.027.1	1	circlip 48
60.99.26	2.1569.109.0/10	3	gasket 46 x 50 x 2.0
60.99.28	2.1532.150.0	1	oil seal 61.60x2.62
60.99.29	0.255.3926.0/10	1	cover
60.99.30	0.013.8983.0	1	disc mm 1.5
60.99.31	0.255.3938.0/40	1	piston
60.99.32	2.1539.064.0	1	special oil seal 120.33x2.62
60.99.33.1	0.016.9060.2	5	clutch plate
60.99.33.2	0.017.9828.0	2	disc mm 1.55
60.99.33.3	0.013.9453.0	3	disc mm 1.75
60.99.35	0.255.3922.0/40	1	piston D 84
60.99.36	2.1560.005.0	1	copper gasket 10.2 x 14
60.99.37	2.1560.008.0	1	gasket 12.2 x 18

<https://www.ebooklibonline.com>

Hello dear friend!

Thank you very much for reading.

Enter the link into your browser.

The full manual is available for immediate download.

<https://www.ebooklibonline.com>