

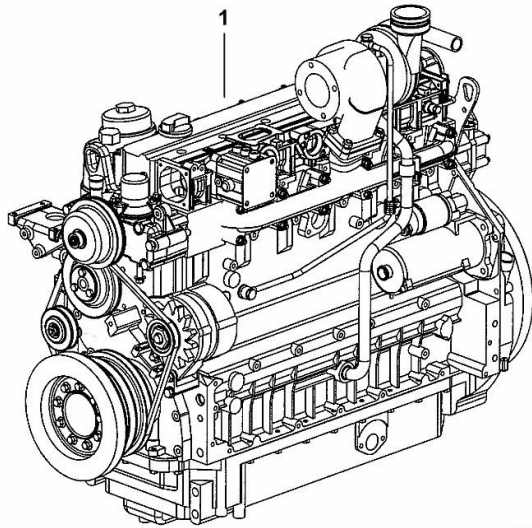
**ENGINE**

Fig.	P/n	QTY	Name
------	-----	-----	------

**Notes:**

- EXPORT U.S.A. [XM 110 HI-LEVEL]

1	25006914	1	engine ON ORDERING PLEASE ENGINE NO. REQUIRED
---	----------	---	---



K9\_N7219\_02\_0-A-001

**FASTENINGS**

Fig.	P/n	QTY	Name
------	-----	-----	------

**Notes:**  
[XM 110 HI-LEVEL]

**Engine serial number:**  
10116591 10191692 10223750 10268967 10285241 10285282 10286560 10299253 10300442 10570548

1	01183645	12	screw EN 1662 -F-M8X35-10.9-ZNAL-A
2	04504325	1	gasket
3	01181406	1	bushing H 2341 -B11X8-FE/ZN12C*



Section: B0 - ENGINE

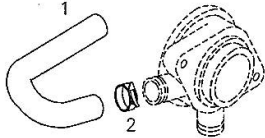
**BLEEDING TUBE**

Fig.	P/n	QTY	Name
------	-----	-----	------

Notes:  
[XM 110 HI-LEVEL]

1	04198572	1	tube
2	01178750	3	clamp DIN 3021 -A-29X15

001



**<https://www.ebooklibonline.com>**

Hello dear friend!

Thank you very much for reading.

Enter the link into your browser.

The full manual is available for immediate download.

**<https://www.ebooklibonline.com>**

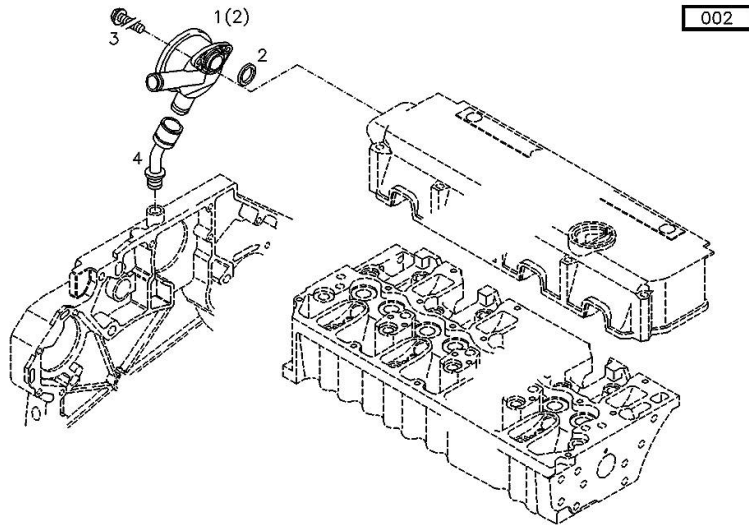
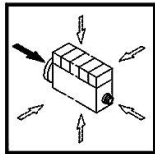
Section: B0 - ENGINE  
**CRANKCASE BREATHER**

Fig.	P/n	QTY	Name
------	-----	-----	------

Notes:  
 [XM 110 HI-LEVEL]

Engine serial number:  
 10116591 10191692 10223750 10268967 10285241 10285282 10286560 10299253 10300442 10570548

1	04203321	1	valve WITH POS.... (2)
2	04206233	1	gasket
3	01148431	2	screw - FROM THE MONTH OF ASSEMBLY SEE POS. ( B ) - UP TO THE MONTH OF ASSEMBLY ( A ) FROM THE MONTH OF ASSEMBLY A = 09.1995 B = POS. 950 ISO 4762 -M6X20-8.8-ZNAL-A
4	04207290	1	pipng
5	01124654	2	washer 6,4 d433 ISO 7092 -6-140HV-A4C*
950	01181965	2	screw - UP TO MONTH OF ASSEMBLY ( A ) - FROM MONTH OF ASSEMBLY SEE POS. ( B ) A = 08.1995 B = POS. 3 EN 1662 -F-M6X20-10.9-ZNAL-A



0507 1876

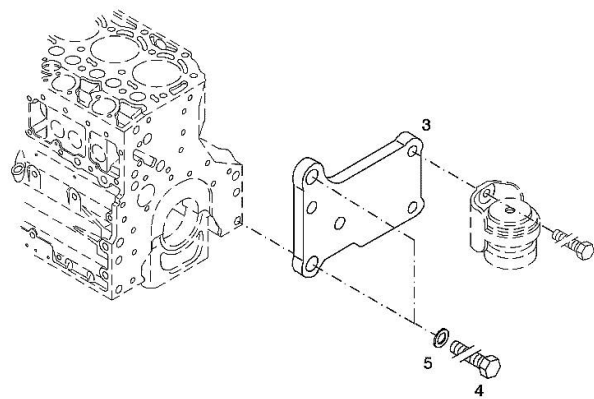
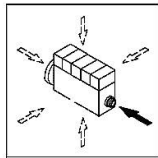
**ACCESSORIES**

Fig.	P/n	QTY	Name
------	-----	-----	------

**Notes:**  
[XM 110 HI-LEVEL]

**Engine serial number:**  
10116591 10191692 10223750 10268967 10285241 10285282 10286560 10299253 10300442 10570548

3	04288659	1	support
4	01148261	2	screw ISO 4017 -M16X40-10.9-ZNAL-A
5	01181400	2	washer H 2308 -18X25X1,5-A4C



006 ©

Section: B0 - ENGINE  
**OIL FILLER NECK**

Fig.	P/n	QTY	Name
------	-----	-----	------

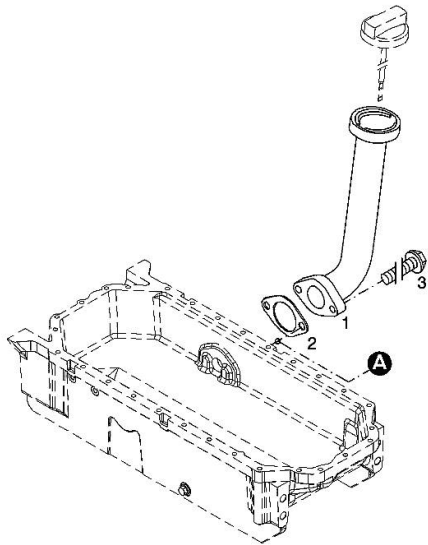
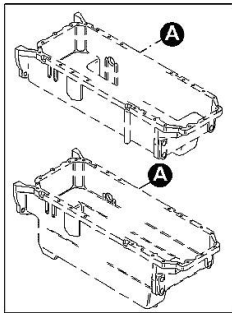
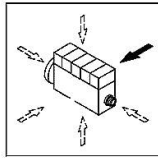
Notes:  
 [XM 110 HI-LEVEL]

Engine serial number:  
 10116591 10191692 10223750 10268967 10285241 10285282 10286560 10299253 10300442 10570548

1	04207099	1	tube
2	01178421	1	gasket
3	01181433	2	screw

30 Nm

001 ©



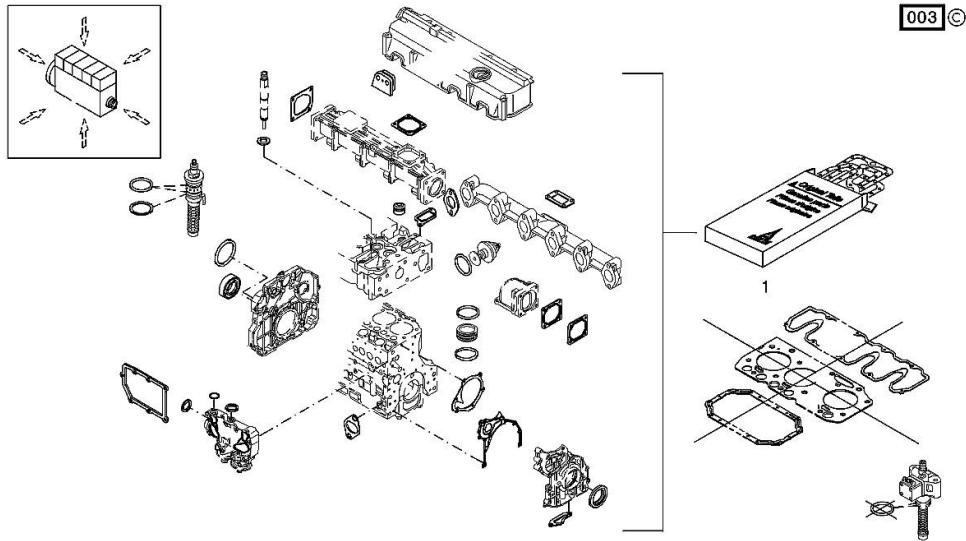
Section: B0 - ENGINE  
**SERIE GUARNIZIONI**

Fig.	P/n	QTY	Name
------	-----	-----	------

Notes:  
 [XM 110 HI-LEVEL]

Engine serial number:  
 10116591 10191692 10223750 10268967 10285241 10285282 10286560 10299253 10300442 10570548

1	02937586	1	gasket set THE KIT DOES NOT CONTAIN ALL THE GASKETS: SEE SM 0199-99-9449
---	----------	---	--



**ACCESSORIES**

Fig.	P/n	QTY	Name
------	-----	-----	------

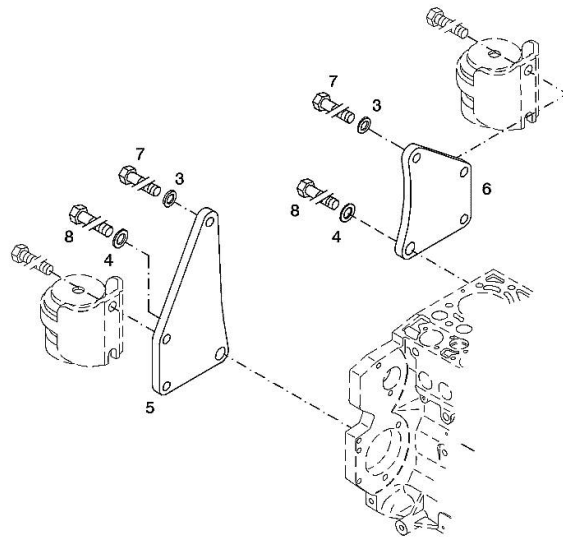
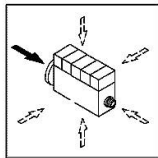
**Notes:**  
[XM 110 HI-LEVEL]

**Engine serial number:**

10116591 10191692 10223750 10268967 10285241 10285282 10286560 10299253 10300442 10570548

3	01182016	2	disc H 2308 -13X24X3-ZNAL-A
4	01181400	2	washer H 2308 -18X25X1,5-A4C
5	04206926	1	plate dx/rh/re
6	04206927	1	plate sx/lh/li
7	01148137	2	screw - UP TO MONTH OF ASSEMBLY ( A ) - FROM MONTH OF ASSEMBLY SEE POS. ( B ) A = 06.2009 B = POS. 950 DIN 931 -M12X75-10.9-ZNAL-A
8	01148037	2	screw UP TO MONTH OF ASSEMBLY ( A ) - FROM MONTH OF ASSEMBLY SEE POS. ( B ) A = 06.2009 B = POS. 951 ISO 4014 -M16X75-10.9-OELGESCHW
950	01149017	2	screw - FROM MONTH OF ASSEMBLY SEE POS. ( B ) - UP TO MONTH OF ASSEMBLY (A) FROM MONTH OF ASSEMBLY A = 07.2009 B = 7
951	01180235	2	screw - FROM MONTH OF ASSEMBLY SEE POS. ( B ) - UP TO MONTH OF ASSEMBLY ( A ) FROM MONTH OF ASSEMBLY A = 07.2009 B= Pos.8 DIN 34800 -BM12X75-10.9-ZNAL-A H 2032 -HBM16X75-10.9-GESCHW

003 ©



**ACCESSORIES**

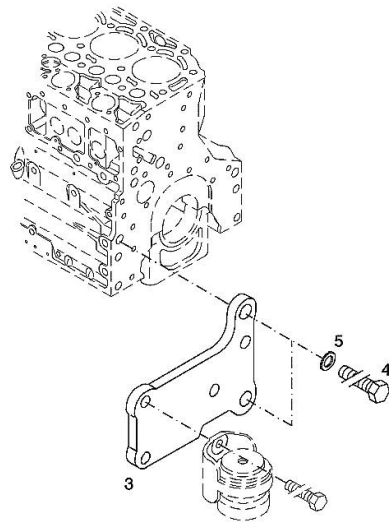
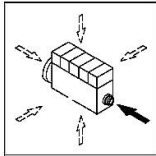
Fig.	P/n	QTY	Name
------	-----	-----	------

**Notes:**  
[XM 110 HI-LEVEL]

**Engine serial number:**  
10116591 10191692 10223750 10268967 10285241 10285282 10286560 10299253 10300442 10570548

3	04288660	1	support
4	01148261	2	screw ISO 4017 -M16X40-10.9-ZNAL-A
5	01181400	2	washer H 2308 -18X25X1,5-A4C

003 ©



**FILLER CAP**

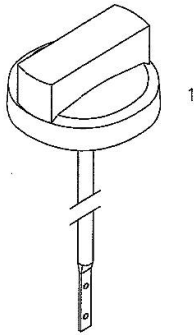
Fig.	P/n	QTY	Name
------	-----	-----	------

**Notes:**  
[XM 110 HI-LEVEL]

**Engine serial number:**  
10116591 10191692 10223750 10268967 10285241 10285282 10286560 10299253 10300442 10570548

1	01180286	1	plug H 2875 -B2-OL40-166X4-130X12
---	----------	---	--------------------------------------

000



0507 1178

**PISTON COOL.NOZZLE**

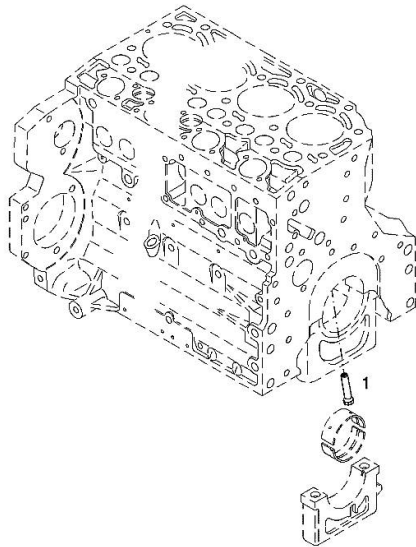
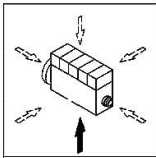
Fig.	P/n	QTY	Name
------	-----	-----	------

**Notes:**  
[XM 110 HI-LEVEL]

**Engine serial number:**  
10116591 10191692 10223750 10268967 10285241 10285282 10286560 10299253 10300442 10570548

1	04207521	1	sprayers
---	----------	---	----------

001 ©



Section: B0 - ENGINE

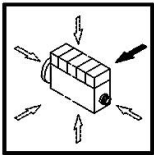
**BLEEDING TUBE**

Fig.	P/n	QTY	Name
------	-----	-----	------

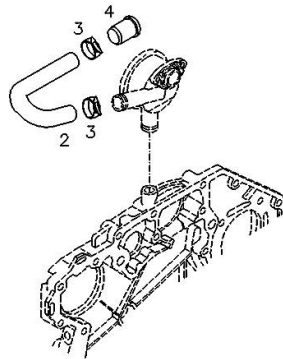
**Notes:**  
[XM 110 HI-LEVEL]

**Engine serial number:**  
10116591

2	04198572	1	tube
3	01178750	2	clamp DIN 3021 -A-29X15
4	01167329	1	bottom H 2873 -A24,6X21,5X25-PEWEICH



000 ©

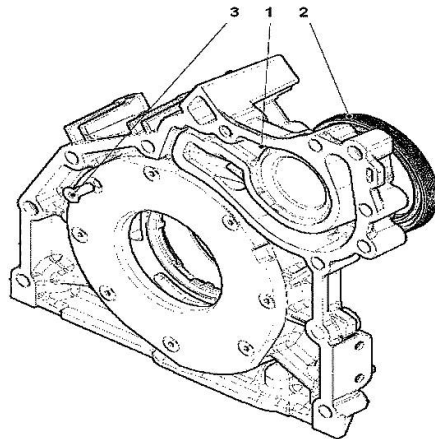


**FLANGE**

Fig.	P/n	QTY	Name
------	-----	-----	------

Notes:  
[XM 110 HI-LEVEL]

1	04502445	1	oil pump WITH POS.... (2,3)
2	04502202	1	special oil seal
3	01133718	8	screw 8.5 Nm DIN 7991 -M6X16-8.8-A4C



000

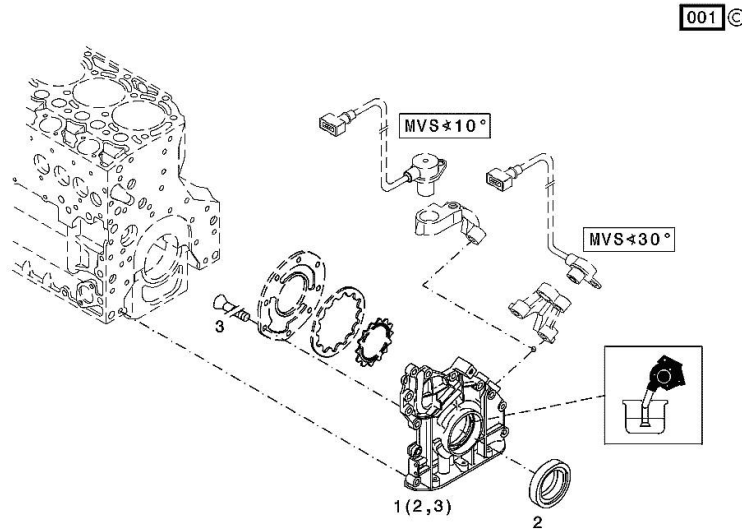
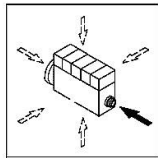
**FLANGE**

Fig.	P/n	QTY	Name
------	-----	-----	------

**Notes:**  
[XM 110 HI-LEVEL]

**Engine serial number:**  
10116591 10191692 10223750 10268967 10285241 10285282 10286560 10299253 10300442 10570548

1	04258382	1	oil pump kpl. WITH POS.... (2,3)
2	04253372	1	oil seal
3	01133718	1	screw DIN 7991 -M6X16-8.8-A4C



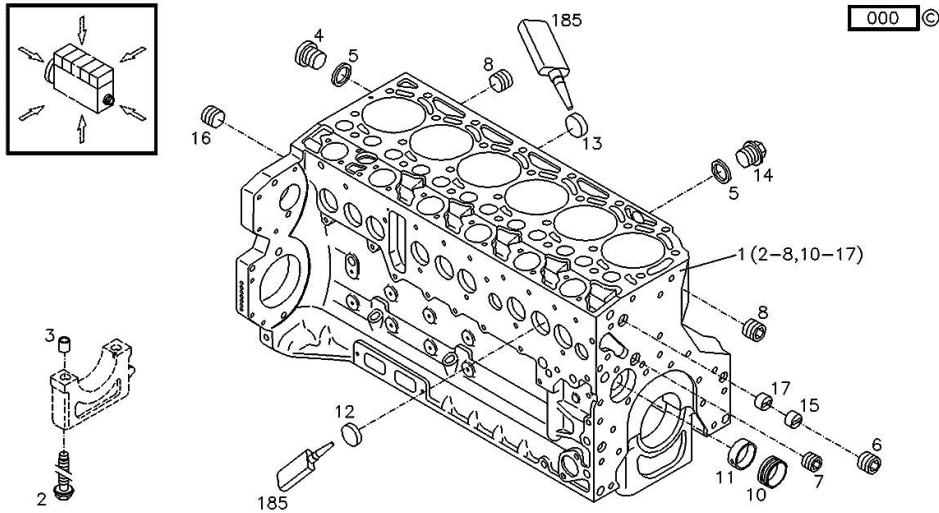
**CRANKCASE**

Fig.	P/n	QTY	Name
------	-----	-----	------

**Notes:**  
[XM 110 HI-LEVEL]

**Engine serial number:**  
10116591 10191692 10223750 10268967 10285241 10285282 10286560 10299253 10300442

1	04289953	1	crankcase WITH POS.... (2-8.10-17)
2	04254240	14	screw
3	04160764	14	bushing
4	01110423	1	screw DIN 908 -M14X1,5-ST-ZNPHRF
5	01118693	3	gasket 14x20 DIN 7603 -A14X20-CU
6	01180890	1	screw H 2812 -906-M30X1,5-ST-A4C-PRE80
7	01180906	1	screw H 2812 -906-M22X1,5-ST-A4C-PRE80
8	01182031	2	screw H 2812 -906-M14X1,5-ST-A3C-LOCTITE506
10	04251884	6	plug
11	04250086	1	ring
12	01148032	9	cover DIN 443 -A45-ZNPHR
13	01179634	6	plug H 2860 -A36-ST-FE/ZNPHR
14	01100940	2	screw DIN 7604 -AM14X1,5-ST-A4C
15	04202518	1	sleeve
16	04226536	1	bottom
17	04202517	1	sleeve
185	01016125	1	guard H 0699 -DEUTZDW72-250ML



0507 8938

Section: B0 - ENGINE

**CRANKCASE**

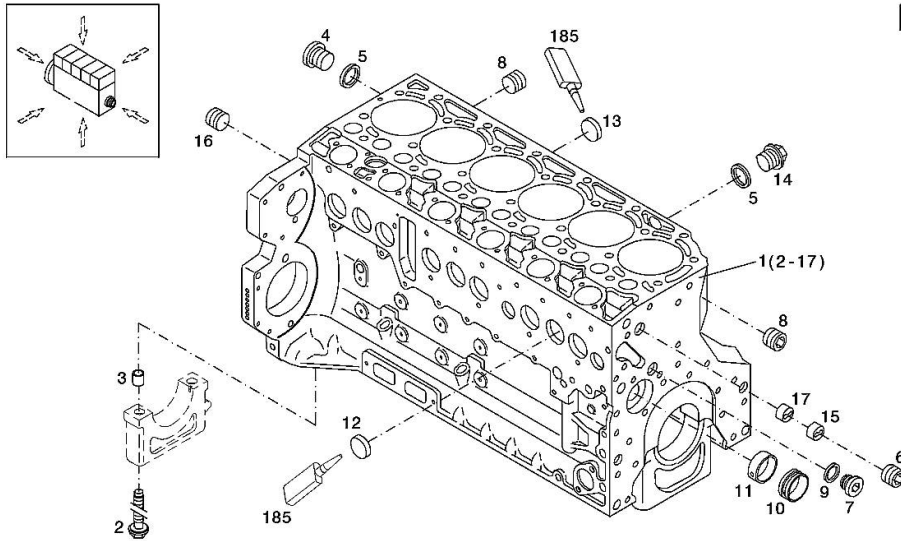
Fig.	P/n	QTY	Name
------	-----	-----	------

Notes:  
[XM 110 HI-LEVEL]

Engine serial number:  
10570548

1	04296583	1	crankcase WITH POS.... (2-17)
2	04254240	14	screw
3	04160764	14	bushing
4	01110423	1	screw DIN 908 -M14X1,5-ST-ZNPHRF
5	01118693	3	gasket 14x20 DIN 7603 -A14X20-CU
6	01180890	1	screw H 2812 -906-M30X1,5-ST-A4C-PRE80
7	04292706	1	plug
8	01182031	2	screw H 2812 -906-M14X1,5-ST-A3C-LOCTITE506
9	01101342	1	oil seal DIN 7603 -D22X27-CU
10	04251884	6	plug
11	04250086	1	ring
12	01148032	9	cover DIN 443 -A45-ZNPHR
13	01148031	6	plug DIN 443 -A36-ZNPHR
14	01100940	2	screw DIN 7604 -AM14X1,5-ST-A4C
15	04202518	1	sleeve
16	04226536	1	bottom
17	04202517	1	sleeve
185	01016125	1	guard H 0699 -DEUTZDW72-250ML

000 ©





**Suggest:**

**For more complete manuals. Please go to the home page.**

**<https://www.ebooklibonline.com>**

**If the above button click is invalid. Please download this document first, and then click the above link to download the complete manual.**

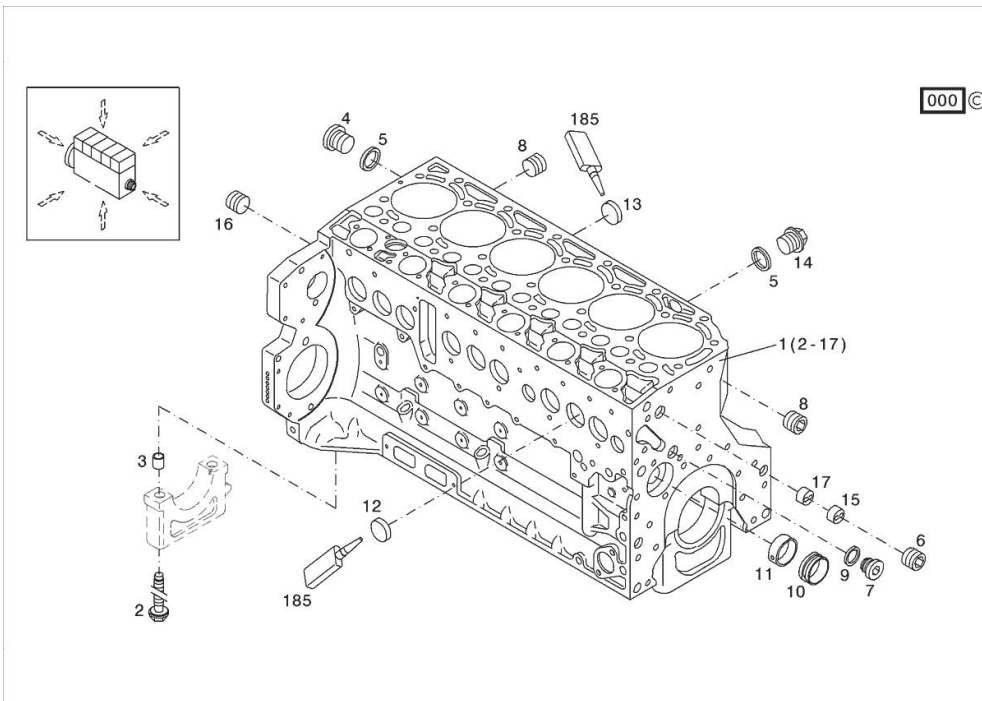
**Thank you so much for reading**

Section: B0 - ENGINE  
**KURBELGEHAEUSE**

Fig.	P/n	QTY	Name
------	-----	-----	------

Notes:  
 [XM 110 HI-LEVEL]

185	01319910	1	guard
1	04506847	1	crankcase MIT POS.... (2-17)
2	04254240	14	screw 50 Nm , 90° , 90°
3	04160764	14	bushing
4	01110423	1	screw 35 Nm DIN 908 -M14X1,5-ST-ZNPHRF
5	01118693	3	gasket 14x20 DIN 7603 -A14X20-CU
6	01180890	1	screw 95 Nm H 2812 -906-M30X1,5-ST-A4C-PRE80
7	04292706	1	plug 80 Nm
8	01182031	2	screw 35 Nm H 2812 -906-M14X1,5-ST-A3C-LOCTITE506
9	01101342	1	oil seal DIN 7603 -D22X27-CU
10	04251884	6	plug
11	04250086	1	ring
12	01148032	9	cover DIN 443 -A45-ZNPHR
13	01148031	6	plug DIN 443 -A36-ZNPHR
14	01100940	2	screw 35 Nm DIN 7604 -AM14X1,5-ST-A4C
15	04202518	1	sleeve
16	04226536	1	bottom 30 Nm
17	04202517	1	sleeve



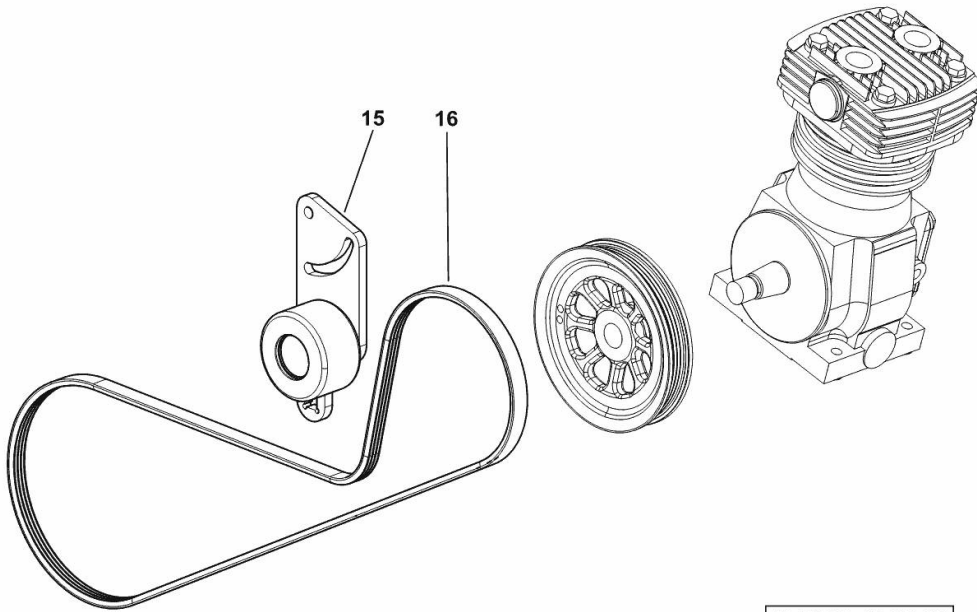
**COMPRESSOR BELT AND BELT TENSIONER**

Fig.	P/n	QTY	Name
------	-----	-----	------

**Notes:**

- WITH 2 SOCKETS [XM 110 HI-LEVEL]

15	04454643.4	1	tensioner
16	04454180	1	belt PV-K 14.2x1410 mm



K9\_B1889\_15\_0-B-001

**<https://www.ebooklibonline.com>**

Hello dear friend!

Thank you very much for reading.

Enter the link into your browser.

The full manual is available for immediate download.

**<https://www.ebooklibonline.com>**