

CLUTCH - 2095 009 047

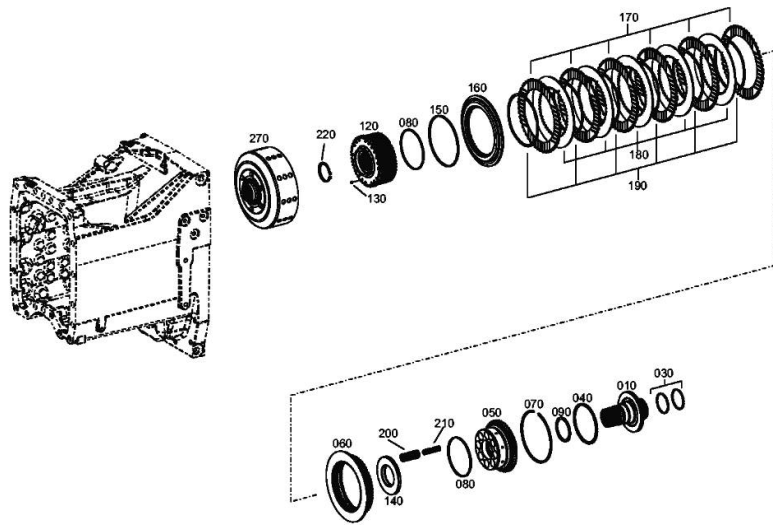


Fig.	P/n	QTY	Name
10	04431753	1	gear
30	04431754	2	oil seal
40	04431755	1	special oil seal
50	04431756	1	carrier
60	04431757	1	gear
70	04431758	1	circlip SB 143
80	04431759	2	special oil seal 106x3
90	04431760	1	special oil seal
120	04431761	1	carrier
130	04431762	20	cover
140	04431763	1	plate
150	04419171	1	washer mm 5.30
160	04416788	1	disc
170	0.900.0881.9	6	disc -> (...) - (...) <-
170	0.900.1362.9	6	disc Z = 50 -> (...)
170	04419769	6	disc Z = 10 (...) <-
180	04416795	5	thin plate
190	0.900.1281.1	6	spring -> (...)
190	04416796	1	stop (...) <-
200	0.010.3420.1	8	spring
210	04431765	8	spring
220	0.010.2609.0	1	circlip 50x3
270	0.010.3594.1	1	clutch housing (...) <-
270	0.900.1286.8	1	clutch housing -> (...)

REAR GEARBOX CASE - 2095 009 047

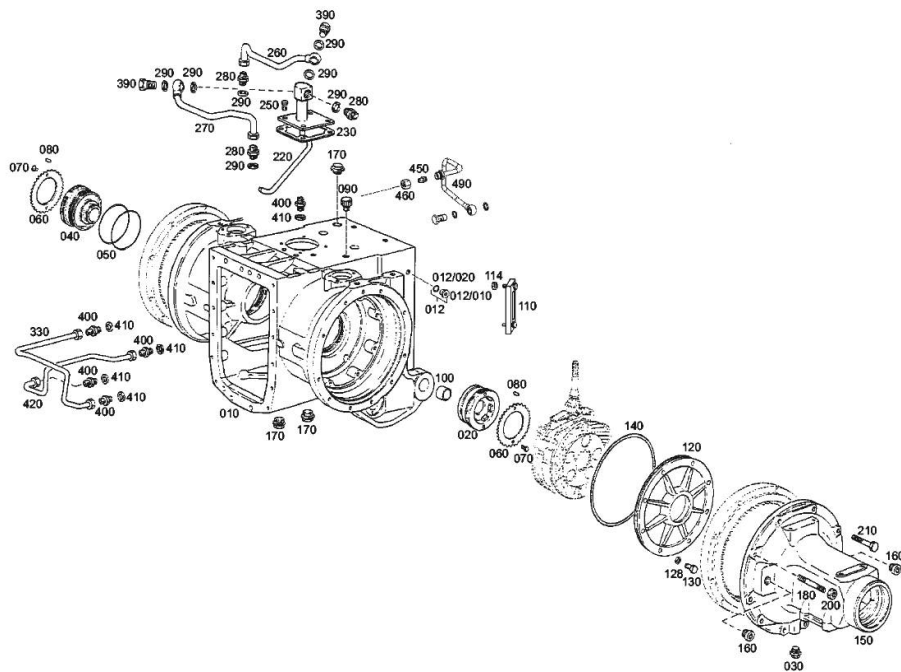
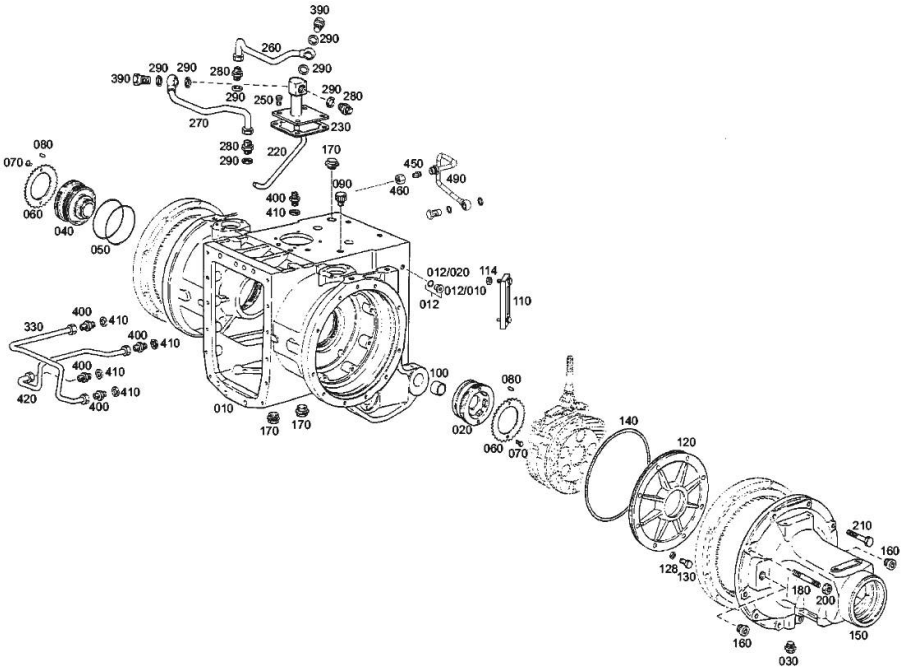


Fig.	P/n	QTY	Name
10	0.900.0288.2	1	gear box (...) <-
10	0.900.1409.0	1	gear box -> (...)
12	04434494	2	screw
12.10	0.900.0291.4	1	plug m 14 p.1.5
12.20	0.010.2627.1	1	oil seal 11x2
20	04428944	1	register
30	0.010.3849.0	2	plug (...) <-
40	04428945	1	register
50	0.900.0278.7	2	ring
60	04417449	2	plate
70	04435695	4	screw m 8 x 16
80	04435703	2	pin 5 x 20
90	04417453	1	plug
100	04417451	2	bushing
110	04419731	1	level indicator
114	04423732	2	rubber plug
120	0.900.1409.2	2	plate -> (...)
120	04428583	2	plate (...) <-
128	0.900.0277.9	4	washer
130	0.900.0279.7	16	screw m 12 x 40
140	04428220	2	oil seal 305x4
150	0.900.0957.5	2	support (...) <-
150	0.900.0993.4	2	support -> (...)
160	0.900.0001.8	2	plug (...) <-
160	0.900.0278.2	2	pin 12 x 24 -> (...)
170	0.010.3849.1	3	plug
180	04423326	4	screw
200	0.900.0281.4	4	nut m 12
210	04423325	16	screw
220	0.900.0287.4	1	tube
230	0.010.2897.1	1	gasket
250	0.010.2874.0	4	screw m 8 x 22
260	0.900.0287.5	1	tube
270	0.900.0287.6	1	tube
280	0.900.0282.3	1	pipe union

REAR GEARBOX CASE - 2095 009 047

Fig.	P/n	QTY	Name
290	0.900.0985.0	5	oil seal 18 x 24
330	04428942	1	tube
390	0.900.0282.0	2	screw
400	04417466	5	pipe fitting
410	04423731	5	oil seal 14 x 18
420	04417478	1	tube
450	0.010.3101.1	1	plug
460	04417788	1	nut
490	0.900.0490.8	1	tube
550	0.000.0000.1	2	cannot be supplied
550.10	0.010.3730.2	1	pipe union L15 m18 p.1.5 -> (...)
550.20	0.900.1239.4	1	oil seal 15.3x2.4 -> (...)



<https://www.ebooklibonline.com>

Hello dear friend!

Thank you very much for reading.

Enter the link into your browser.

The full manual is available for immediate download.

<https://www.ebooklibonline.com>

DIFFERENTIAL - 2095 009 047

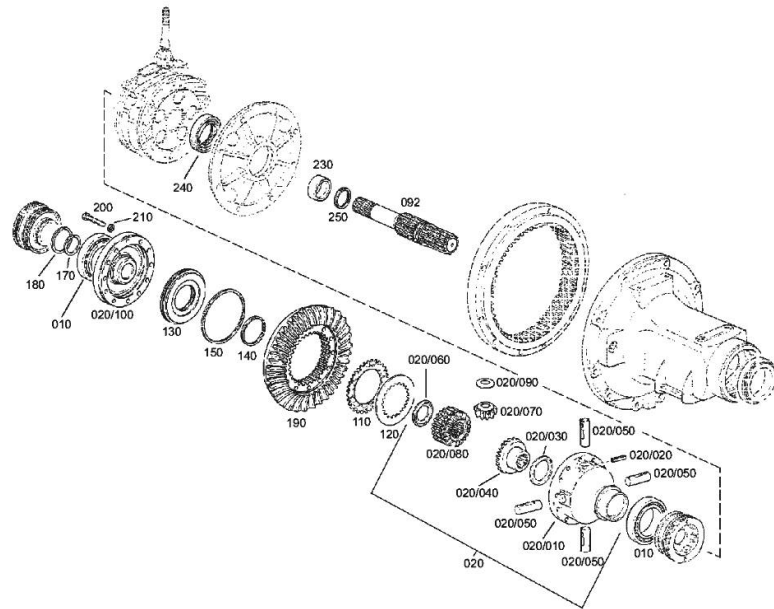


Fig.	P/n	QTY	Name
10	0.010.3580.1	2	roller bearing
20	0.900.1408.1	1	differential carrier
20.10	0.010.3457.1	1	differential carrier
20.20	0.010.3349.0	4	roll pin 8 x 40
20.30	0.900.0124.2	1	slewing ring
20.40	04417296	1	gear
20.50	0.010.3457.2	4	axle
20.60	0.900.0498.2	1	slewing ring
20.70	0.900.0288.9	4	planet gear
20.80	04417301	1	bearing
20.90	0.900.0288.8	4	slewing ring
20.100	04417310	1	box
92	0.010.3458.0	2	pinion
110	0.900.1398.2	8	disc Z = 48
120	0.900.1398.7	7	thin plate Z = 38
130	0.900.0025.0	1	piston
140	0.900.0124.1	1	oil seal
150	0.900.0268.5	1	oil seal 69 x 3
170	0.900.0800.7	1	ring 55 x 2.5
180	0.900.0800.8	1	ring 70 x 3.0
190	0.900.0956.8	1	bevel ring gear
200	0.010.3729.2	12	screw m 12 x 80
210	0.900.0277.9	12	washer
230	04417315	2	bushing
240	04417316	2	oil seal
250	0.900.0278.9	2	ring 54 x 2.5
270	0.900.1365.3	2	crown wheel Z = 105
290	0.010.3588.2	2	grub screw m 10x16
300	0.900.0278.2	2	pin 12 x 24
310	04417322	2	ball
320	0.900.0282.8	6	roller bearing
330	0.900.0282.6	12	slewing ring 72x80.8x1
345	0.900.0956.9	2	spider
350	0.900.0278.1	12	circlip
360	0.900.1409.9	6	planet gear
370	0.900.0289.5	6	circlip 55x2
380	0.900.0278.3	2	roll pin 8x90
390	0.900.0489.3	2	shaft
440	0.900.0283.0	2	roller bearing
450	0.900.0953.7	2	roller bearing
460	0.010.3643.0	2	ring

P.T.O. SHAFT - 2095 009 047

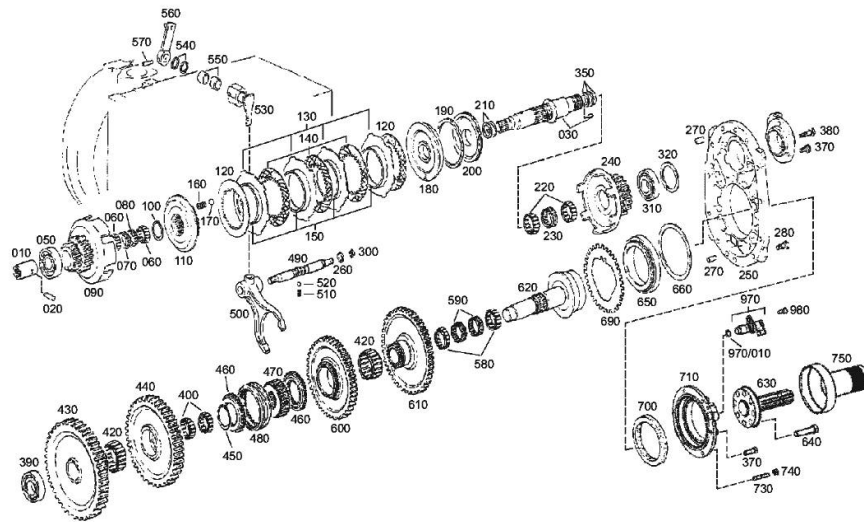


Fig.	P/n	QTY	Name
10	04421009	1	sleeve
20	0.900.0290.1	1	roll pin
30	0.900.0058.5	1	shaft
			(...) <-
30	0.900.1408.2	1	shaft
			-> (...)
50	0.900.1406.7	1	roller bearing
			-> (...)
50	04428566	1	bearing
			(...) <-
60	04417336	2	roller cage
70	04417337	1	roller cage
80	04417338	3	roller cage
90	0.900.0287.7	1	gear
100	0.010.3724.2	1	circlip 40 x 1.75
110	04417342	1	plate carrier
120	0.900.1405.3	2	gear
			-> (...)
120	04417343	2	ring
			(...) <-
130	0.900.1402.9	4	ring
			-> (...)
130	04417344	4	ring
			(...) <-
140	0.900.0288.7	3	disc
			(...) <-
140	0.900.1405.4	3	gear
			-> (...)
150	04417346	4	spring
160	04417347	8	spring
170	04415830	8	ball 12 mm
180	0.900.1408.8	1	cylinder
			-> (...)
180	04417348	1	cylinder
			(...) <-
190	0.900.0278.6	1	ring
200	0.900.0125.1	1	piston
210	0.900.0879.0	2	ring
220	04417383	2	roller cage
230	04417353	1	roller cage
240	0.900.0287.8	1	gear
250	04417355	1	cover
260	0.900.0278.8	1	oil seal
270	04328555	2	cylindrical plug 10 m 6x20

P.T.O. SHAFT - 2095 009 047

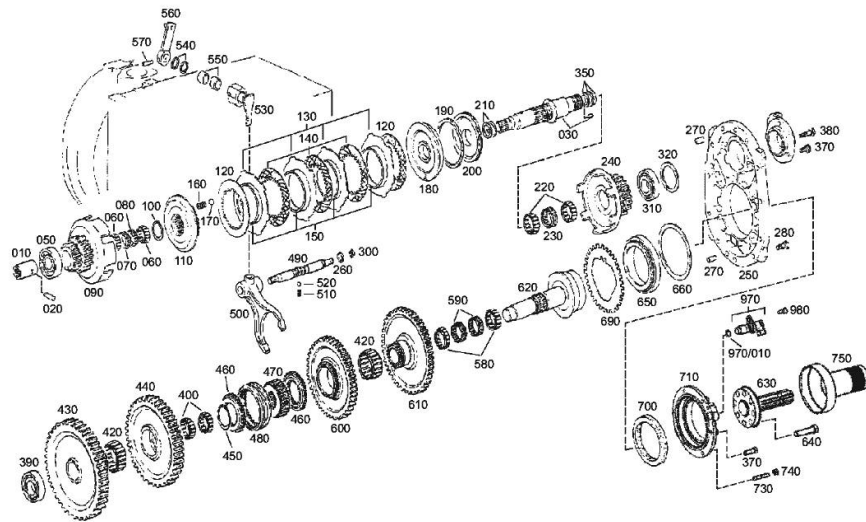


Fig.	P/n	QTY	Name
280	0.900.0279.9	11	screw m 10 x 30
300	0.010.3358.0	1	nut m 10
310	0.900.0279.2	1	roller bearing
			(...) <-
310	0.900.1385.0	1	bearing
			-> (...)
320	0.000.0000.1	1	cannot be supplied
320	04417360	1	shim s = 0.10
320	04417361	1	shim s = 0.15
320	04417362	1	shim s = 0.40
350	04423359	3	ring
360	0.900.1235.6	1	cover
370	0.900.0291.0	4	screw
			(...) <-
370	04434498	4	screw m 8 x 25
			-> (...)
380	0.900.0280.0	1	screw m 8 x 45
390	04428566	1	bearing
400	04417336	2	roller cage
420	04417368	2	roller cage
430	0.900.0288.3	1	gear
440	04417370	1	gear wheel
450	0.010.3347.1	1	circlip 38x2.5
460	04423336	2	driver
470	04423335	1	support
480	04423337	1	sleeve
490	04424371	1	lever
500	0.010.3701.2	1	fork
510	04417378	1	spring
520	04415909	1	ball
530	04417379	1	small lever
540	0.900.0278.5	2	ring 20x3.5
550	04417381	2	bushing
560	0.900.0294.2	1	lever
570	0.900.0290.2	1	roll pin
580	04417383	2	roller cage
590	04417384	2	roller cage
600	0.900.0288.5	1	gear
610	0.900.0288.4	1	gear
620	0.900.0957.0	1	shaft
630	04417388	1	shaft
640	0.010.3293.0	8	screw m 12 x 50
650	0.900.0282.9	1	roller bearing
660	0.000.0000.1	1	cannot be supplied

P.T.O. SHAFT - 2095 009 047

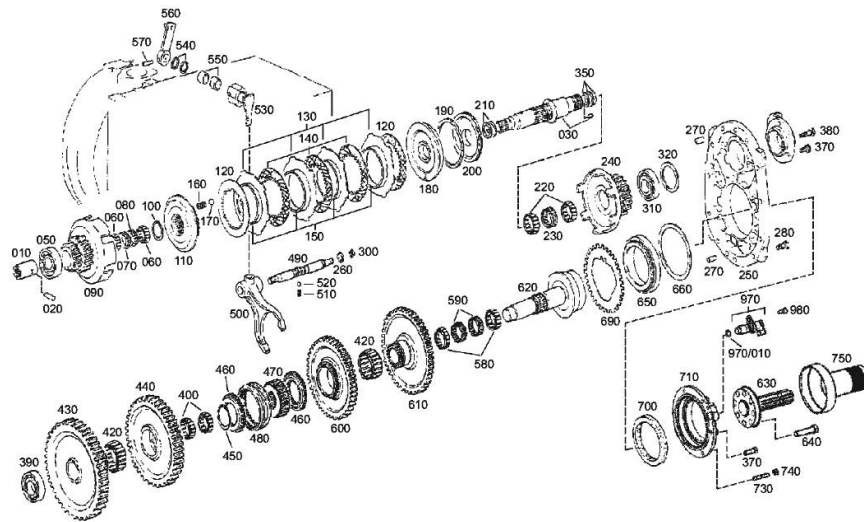


Fig.	P/n	QTY	Name
660	04417391	1	shim s = 0.10
660	04417392	1	shim s = 0.15
660	04417393	1	shim s = 0.40
690	04439236	1	gear
700	04417395	1	oil seal 94x118x12
710	04417438	1	cover
730	0.900.0281.3	4	stud bolt m 8 x 35
740	0.900.0281.5	4	nut m 8
750	04417440	1	guard
760	04434498	4	screw m 8 x 25
780	0.900.1408.3	1	(...) <- tube
920	04427560	1	pipe union -> (...)
930	0.010.2895.0	1	gasket 14x20 -> (...)
940	04436331	1	oil seal 16 x 20 -> (...)
950	04431782	1	threaded joint -> (...)
960	0.900.0282.4	1	pipe union -> (...)
970	0.010.2874.2	1	speed sensor -> (...)
970.10	04417747	1	oil seal 15.54x2.62 -> (...)
980	0.900.1235.8	1	screw m8x14 -> (...)

P.T.O. SHAFT - 2095 009 047

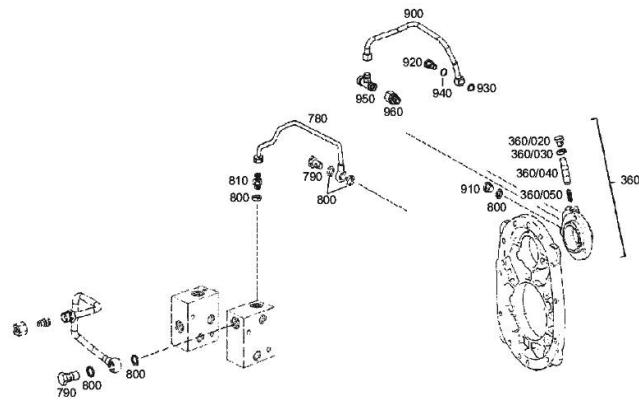
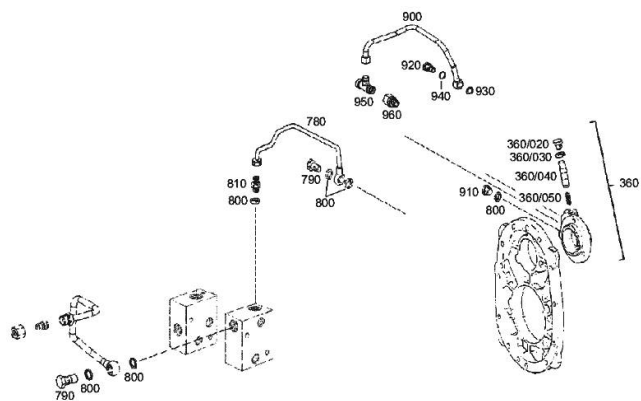


Fig.	P/n	QTY	Name
360	0.010.3229.0	1	cover (...) <-
360	0.900.1235.6	1	cover -> (...)
360.20	0.010.2906.0	1	plug m 16 p.1.5 -> (...)
360.20	04417591	1	plug (...) <-
360.30	04436331	1	oil seal 16 x 20
360.40	0.900.1386.4	1	piston -> (...)
360.40	04424374	1	piston (...) <-
360.50	0.900.1384.9	1	spring -> (...)
360.50	04417367	1	spring (...) <-
780	0.010.3455.2	1	piping (...) <-
780	0.900.1408.3	1	tube -> (...)
790	0.900.0282.1	2	pipe union
800	04423731	7	oil seal 14 x 18 (...) <-
810	04417466	2	pipe fitting (...) <-
820	04439224	1	accumulator (...) <-
830	0.010.3456.0	1	angular (...) <-
840	0.900.0953.6	1	nut (...) <-
850	0.900.0490.9	1	tube (...) <-
870	0.900.0281.4	1	nut m 12 (...) <-
880	04417783	1	pipe fitting (...) <-
900	0.900.0283.5	1	tube
901	04427560	1	pipe union (...) <-
902	0.900.0290.6	1	circlip (...) <-
903	04436331	1	oil seal 16 x 20

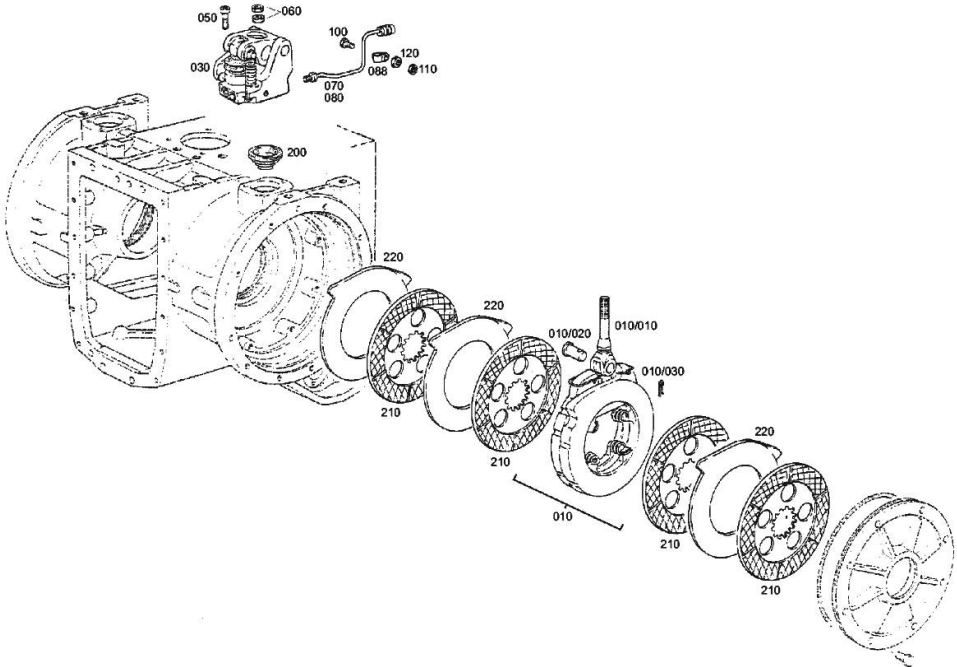
P.T.O. SHAFT - 2095 009 047

Fig.	P/n	QTY	Name
904	04431782	1	(...) <- threaded joint
906	0.900.0282.4	1	(...) <- pipe union
910	0.900.0280.7	1	(...) <- stop



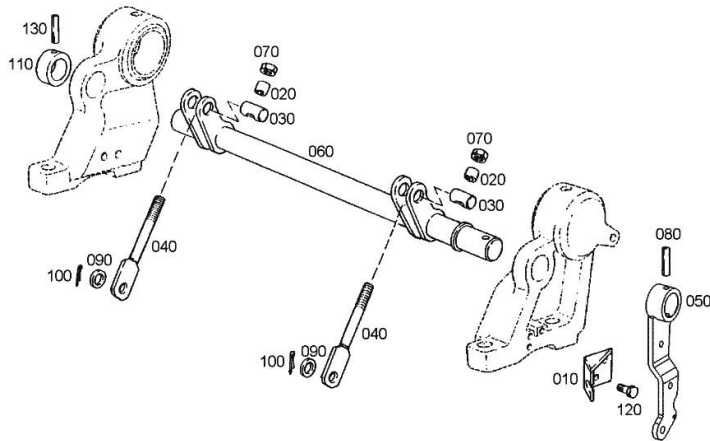
SERVICE BRAKES - 2095 009 047

Fig.	P/n	QTY	Name
10	0.900.0800.4	2	transmission brake
10.10	04428551	1	rod
10.20	04435740	1	pin
10.30	04435741	1	split pin
20	0.900.1405.6	4	plug -> (...)
25	0.010.2627.1	4	oil seal 11x2 -> (...)
30	0.900.0800.5	2	operation
50	0.900.0469.7	6	screw m 10 x 40
60	04434557	4	nut m 14 p.1.5
70	04428558	1	tube sx/lh/li
80	04428559	1	tube dx/rh/re
88	0.900.0468.2	2	clamp 6x12
100	0.900.0280.1	2	screw m 5 x 25
110	0.900.0470.2	2	nut m 5
120	0.900.0281.6	2	nut
200	0.900.0800.9	2	rubber bushing
210	0.900.0801.2	8	disc
220	0.900.0801.3	6	disc



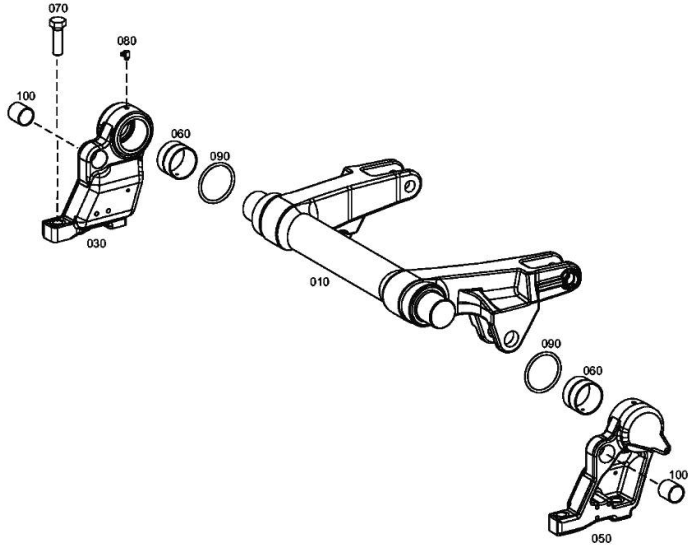
BRAKE CONTROLS - 2095 009 047

Fig.	P/n	QTY	Name
10	0.010.2901.2	1	support (...) <-
10	0.900.1239.7	1	bracket -> (...)
20	0.010.2902.0	2	bushing (...) <-
20	0.900.1239.8	2	tube -> (...)
30	0.010.2902.1	2	pin (...) <-
30	0.900.1239.9	2	pin -> (...)
40	0.010.3458.2	2	connecting rod (...) <-
40	0.900.1408.4	2	rod -> (...)
50	0.900.0466.8	1	brake lever (...) <-
50	0.900.1240.1	1	lever -> (...)
60	0.900.0955.8	1	shaft (...) <-
60	0.900.1408.5	1	shaft -> (...)
70	0.900.0281.9	2	nut m 12
80	0.010.3459.1	1	roll pin
90	0.900.0466.9	2	washer
100	0.900.0468.1	2	split pin 3.2x18
110	0.010.2904.2	1	ring (...) <-
110	0.900.0957.7	1	ring -> (...) - (...) <-
110	0.900.1240.3	1	spacer -> (...)
120	0.900.0469.4	3	screw m 8 p.1.25 x 20
130	0.900.0290.0	1	roll pin



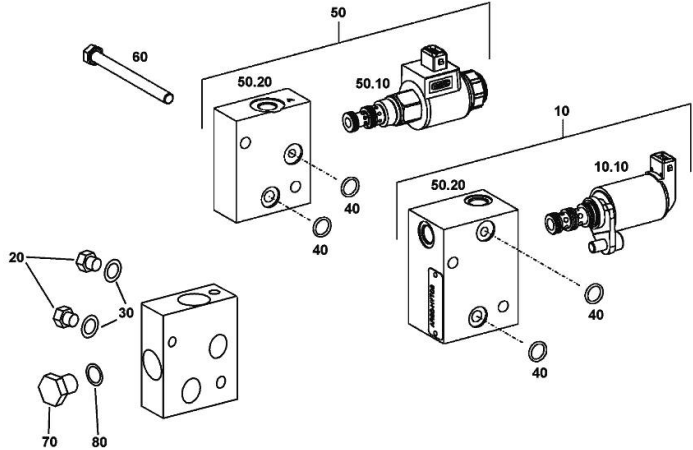
LIFTING - 2095 009 047

Fig.	P/n	QTY	Name
10	0.900.0824.6	1	shaft
30	0.900.0802.9	1	bearing block dx/rh/re (...) <-
30	0.900.1407.9	1	bearing block dx/rh/re > (...)
50	0.900.0803.0	1	bearing block sx/lh/li (...) <-
50	0.900.1408.0	1	bearing block sx/lh/li > (...)
60	04417549	2	special bushing
70	0.900.0469.1	4	screw m 20x65
80	04427636	2	grease gun m 8 p.1 x 8
90	04417552	2	ring 78.5x6
100	0.010.3844.1	2	bearing



DRIVE FOR GEAR CHANGE BOX - 2095 009 047

Fig.	P/n	QTY	Name
10	0.900.0952.1	1	control
10.10	0.900.0952.8	1	solenoid valve DV
20	04434512	2	plug m 10 p.1 (...) <-
30	0.900.0290.7	2	circlip (...) <-
40	0.900.0801.4	4	ring 11,3 x 2,4 NBR-70-10
50	0.010.2628.2	1	control (...) <-
50	0.900.0993.3	1	control -> (...) - (...) <-
50	0.900.1363.3	1	small block -> (...)
50.10	0.900.1384.6	1	solenoid valve
60	0.900.0279.5	2	screw (...) <-
60	0.900.1363.4	2	screw -> (...)
70	0.900.0281.0	1	plug m 14 p.1.5 (...) <-
80	04423731	1	oil seal 14 x 18 (...) <-





Suggest:

For more complete manuals. Please go to the home page.

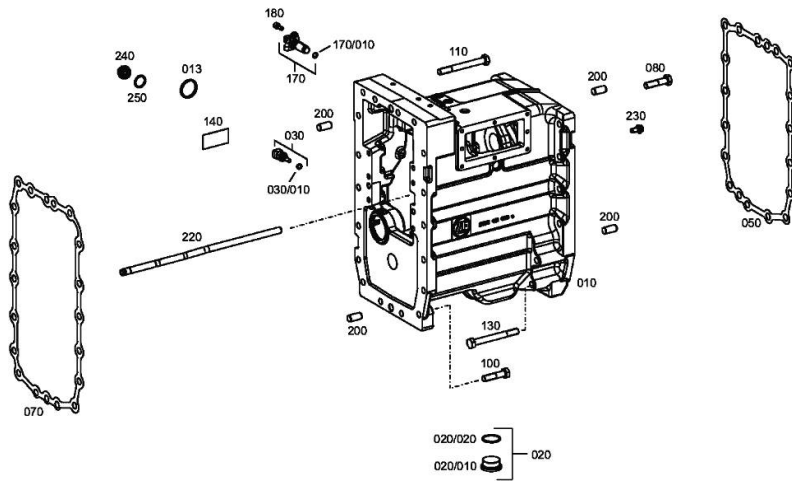
<https://www.ebooklibonline.com>

If the above button click is invalid. Please download this document first, and then click the above link to download the complete manual.

Thank you so much for reading

GEARBOX - 2095 009 042

Fig.	P/n	QTY	Name
10	0.900.0284.3	1	gear box (...) <-
10	0.900.0956.0	1	gear box -> (...)
13	0.010.2845.2	1	oil seal 38x4
20	04435197	1	plug
20.20	02315144	1	oil seal 38x2.5
30	0.900.0800.6	1	temperature gauge
30.10	0.900.0801.6	1	ring 11x2 ZFN 744 FPM-80-10
50	0.900.1407.7	1	gasket
50	04416085	1	gasket mm 0.25
50	04416086	1	gasket mm 0.20
70	04416087	1	gasket
80	0.010.2887.1	13	screw m 14 x 60
100	0.010.2887.1	12	screw m 14 x 60
110	0.010.3354.1	6	screw m 14x130
130	0.010.3354.1	4	screw m 14x130
140	04416088	1	number plate
170	04438450	1	speed sensor L = 53,0mm
170.10	04417747	1	oil seal 15.54x2.62
180	04434551	1	screw m 8 p.1.25 x 20
200	04416090	4	cylindrical plug 16 m 6x30
220	0.010.3437.0	1	flexible hose
220.20	0.010.3344.1	1	circlip 15x1
220.30	06214801	1	oil seal 12x1.5
230	04416628	1	screw
240	0.010.3594.0	1	tube



<https://www.ebooklibonline.com>

Hello dear friend!

Thank you very much for reading.

Enter the link into your browser.

The full manual is available for immediate download.

<https://www.ebooklibonline.com>