

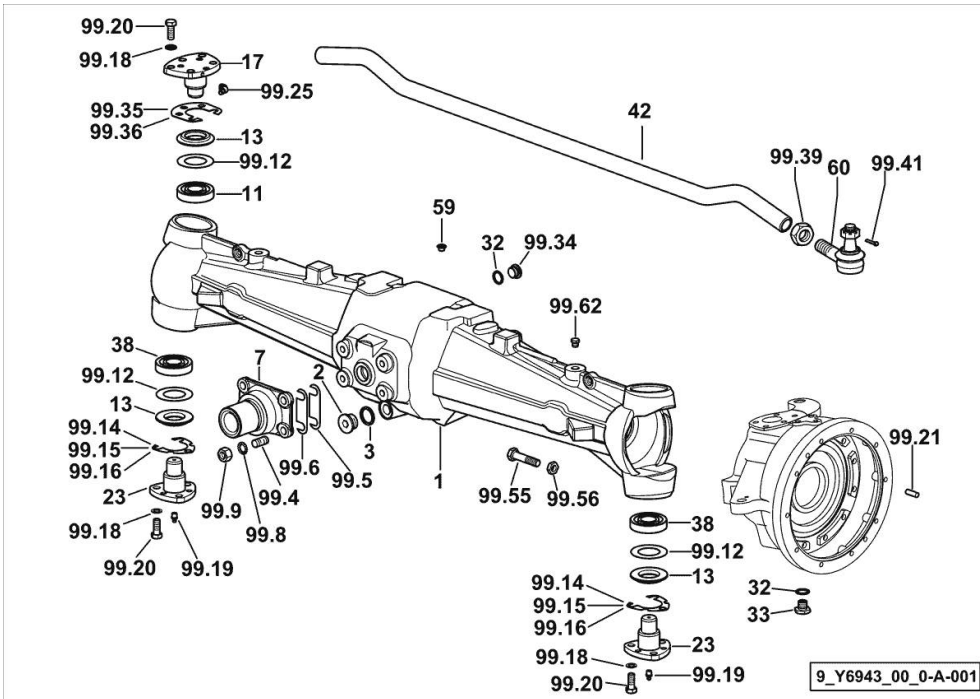
4WD - FRONT DRIVE AXLE

Fig.	P/n	QTY	Name
------	-----	-----	------

Notes:

[XM 100 T4i V-DRIVE]

1	0.010.6083.0/60	1	front axle
2	2.3199.021.2	1	plug 1/2 gas
3	2.1560.054.0	1	gasket 21 x 26
7	0.019.8850.0	1	pin
11	2.2530.007.0	1	roller bearing iso 30 kb 03
13	2.1519.045.0	4	special oil seal 41x73x9
17	0.255.4335.0/10	1	pin
23	0.169.4337.0/10	2	pin
32	2.1560.054.0	5	gasket 21 x 26
33	2.3199.021.2	2	plug 1/2 gas
38	2.2550.007.0	2	roller bearing 30x72x28.75
42	0.010.5537.0/10	1	rod
59	2.3199.386.0	5	plug Ø 11
60	0.010.0488.4/10	2	joint
			☞ 0.010.0488.4/10
99.4	2.0433.309.7	4	stud bolt m 14 p.1.5x35
99.5	2.1379.004.0/10	4	small plate 15x15x62x1.5
99.6	2.1379.003.0/10	4	small plate 15x15x62x0.12
99.8	2.1475.005.2	4	washer 14
99.9	2.1011.308.2	4	nut m 14 p.1.5
99.12	2.1599.260.0	4	shoulder ring 43x71x1
99.14	0.463.4351.0	8	shim mm 0.50
99.15	0.463.4350.0	8	shim mm 0.20
99.16	0.463.4352.0	8	shim mm 0.15
99.18	2.1470.007.2	9	lock washer 12
99.19	2.3820.105.2	2	grease gun m 10 p.1 x 7
99.20	2.0112.411.2	9	screw m 12 p.1.75 x 30
99.21	2.1651.811.0	4	cylindrical plug 10x24
99.25	2.3821.102.2	1	grease gun m 8 p.1 x 8
99.34	2.3199.001.2	3	plug 1/2" gas
99.35	2.1589.124.0	8	shoulder ring mm 0.20
99.36	2.1589.126.0	8	shoulder ring mm 0.15
99.39	2.1099.020.1	2	special nut m 24 p.1.5
99.41	2.1690.412.2	2	split pin 4 x 30
99.55	2.0119.213.2	2	screw m 14 p.2 x 60
99.56	2.1011.208.2	2	nut m 14 p.2
99.62	2.3199.125.0	1	plug 1/8" gas

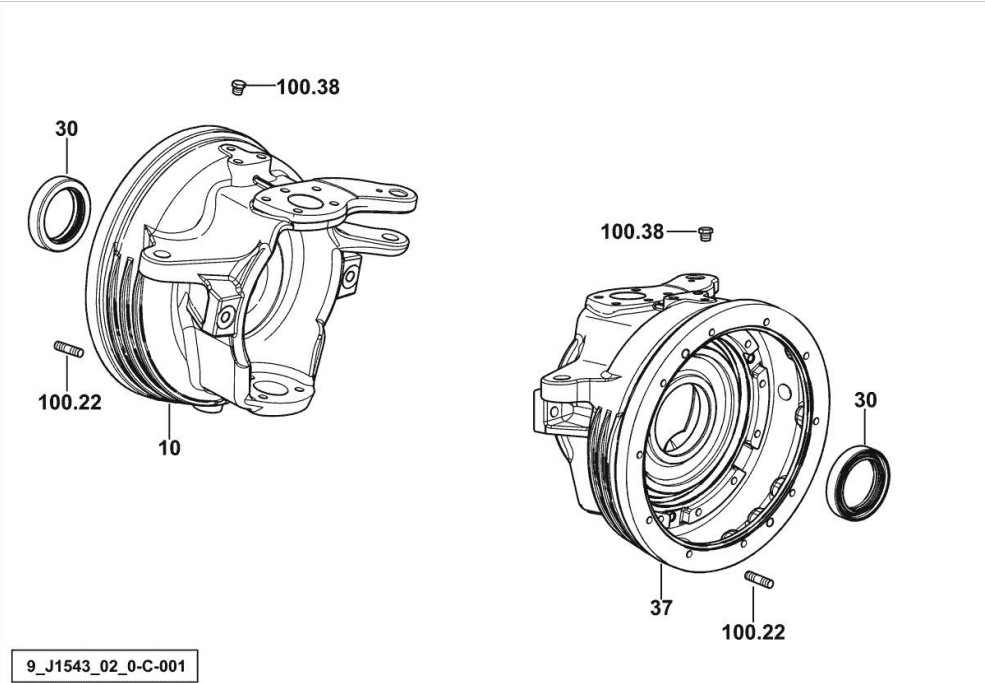


4WD - FRONT AXLE FORKS FOR TYPES WITH BRAKES

Fig.	P/n	QTY	Name
------	-----	-----	------

Notes:
 [XM 100 T4i V-DRIVE]

10	0.016.3302.0/10	1	fork dx/rh/re
30	2.1529.134.0	2	special oil seal 65x90x17.5
37	0.016.3301.0/10	1	fork sx/lh/li
100.22	2.0433.155.7	20	stud bolt m 10 p.1.25 x 25
100.38	2.3199.125.0	2	plug 1/8" gas



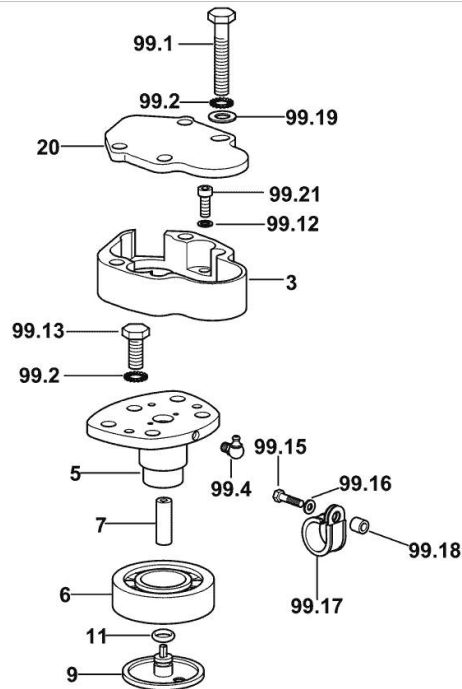
STEERING SENSOR SUPPORT SBA/ASM

Fig.	P/n	QTY	Name
------	-----	-----	------

Notes:

[XM 100 T4i V-DRIVE]

3	0.010.4627.0/10	1	guard
5	0.011.2308.0/10	1	pin
6	2.2520.008.0	1	roller bearing 35x72x18,25
7	0.010.0008.2	1	joint
9	0.011.2252.0	1	cap-washer
11	2.1530.024.0	1	oil seal 10.78 x 2.62
20	0.010.4355.0/10	1	cover
99.1	2.0112.423.2	4	screw m 12 p.1.75 x 70
99.2	2.1470.007.2	5	lock washer 12
99.4	2.3821.102.2	1	grease gun m 8 p.1 x 8
99.12	2.1470.004.2	2	lock washer 8
99.13	2.0112.411.2	1	screw m 12 p.1.75 x 30
99.15	2.0112.009.2	1	screw m 6 p.1 x 25
99.16	2.1470.002.2	1	lock washer 6
99.17	2.6839.066.0/10	1	clamp 16
99.18	2.1549.341.2	1	spacer 6.5x11x11
99.19	2.1310.007.2	2	flat washer 13 x 24
99.21	2.0312.206.2	2	screw m 8 p 1.25 x 20



9_77843_01_0-A-001

<https://www.ebooklibonline.com>

Hello dear friend!

Thank you very much for reading.

Enter the link into your browser.

The full manual is available for immediate download.

<https://www.ebooklibonline.com>

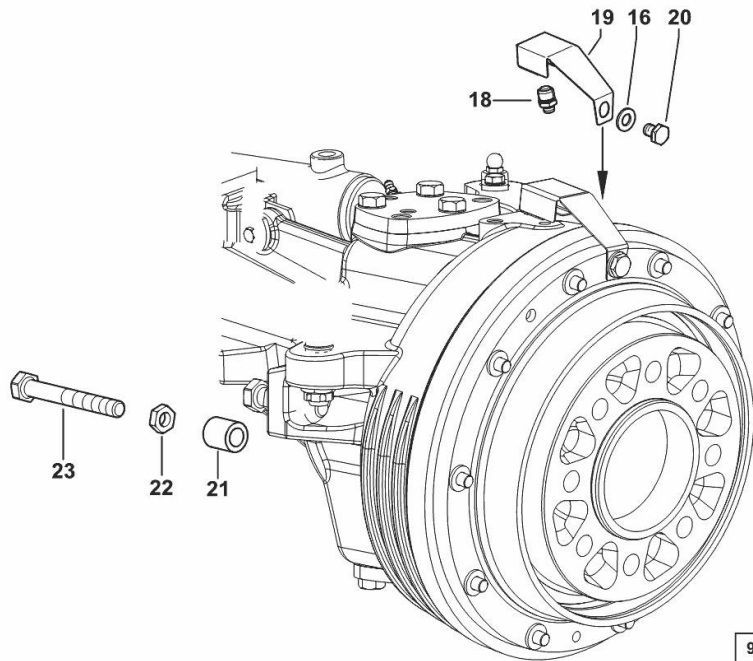
AIR BREATHER AND STEERING STOP - 4WD

Fig.	P/n	QTY	Name
------	-----	-----	------

Notes:

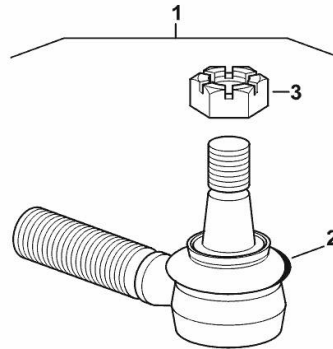
[XM 100 T4i V-DRIVE]

16	2.1310.006.2	4	flat washer 10.5x21
18	0.135.4363.3/10	3	valve
19	0.270.4355.0	2	guard
20	2.0112.304.2	2	screw m 10 p.1.5x14
21	2.1549.636.2	2	spacer 15x25x25
22	2.1011.208.2	2	nut m 14 p.2
23	2.0119.324.2	2	screw m14x100



STEERING ROD - MECH. STEERING - TELESCOPIC AXLE

Fig.	P/n	QTY	Name
1	0.010.0488.4/10	1	joint
2	0.900.0025.7	1	guard
3	0.900.0025.8	1	nut



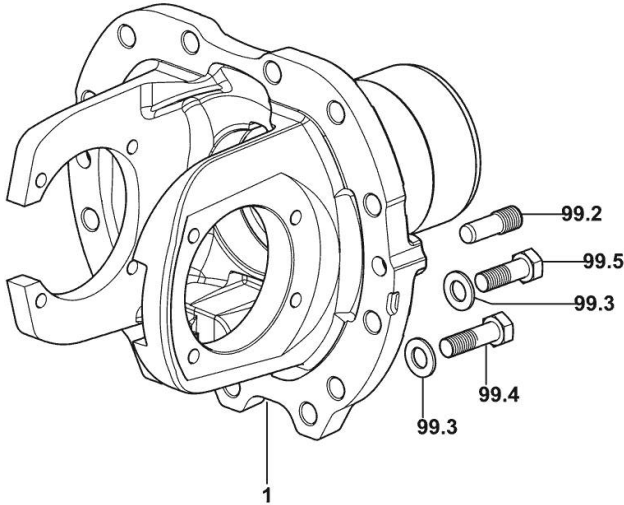
0_010_0488_4_10

4WD - FLANGE

Fig.	P/n	QTY	Name
------	-----	-----	------

Notes:
 [XM 100 T4i V-DRIVE]

1	0.019.8831.0/10	1	flange
99.2	2.1699.434.0	2	pin m 14 p.1.5 x 16
99.3	2.1475.004.2	13	spring washer 12
99.4	2.0113.415.2	9	screw m 12 p.1.75 x 40
99.5	2.0113.413.2	4	screw m 12 p.1.75x35



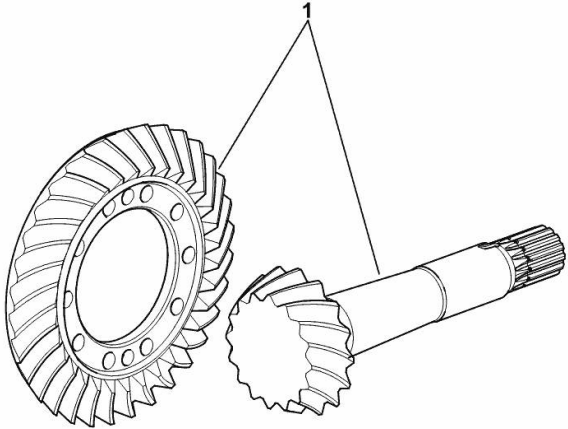
9_Y7743_01_0-A-001

4WD - BEVEL WHEEL GEAR z=19 z=43

Fig.	P/n	QTY	Name
------	-----	-----	------

Notes:
[XM 100 T4i V-DRIVE]

1	0.019.0456.3/10	1	bevel drive z=19 z=43
---	-----------------	---	-----------------------



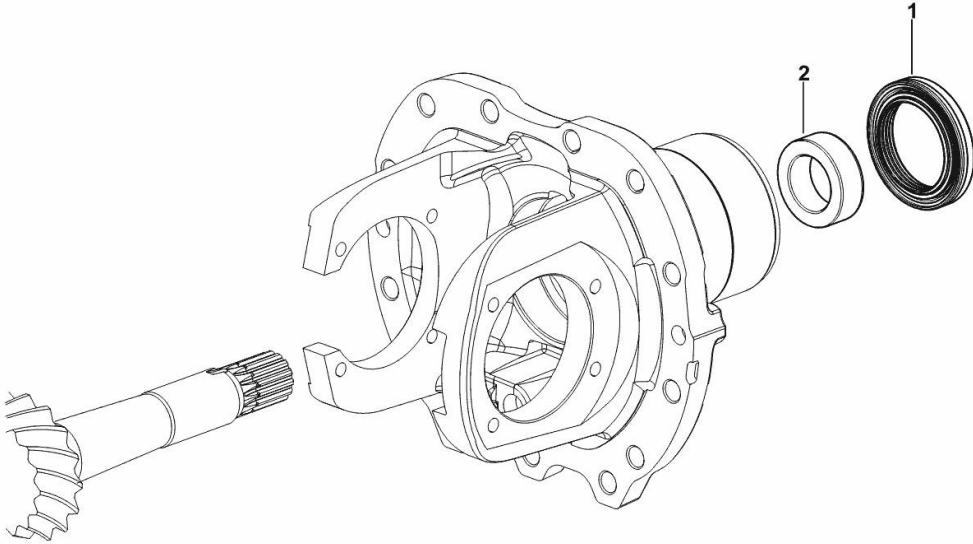
9_Y8946_01_0-A-001

4WD - FRONT DIFFERENTIAL LOCK- STANDARD SEALING

Fig.	P/n	QTY	Name
------	-----	-----	------

Notes:
[XM 100 T4i V-DRIVE]

1	2.1529.149.0	1	special oil seal 55 x 80 x 12.5
2	2.1549.459.0	1	spacer 35x55x19



9_Y6946_01_0-B-001

4WD - FRONT DIFFERENTIAL

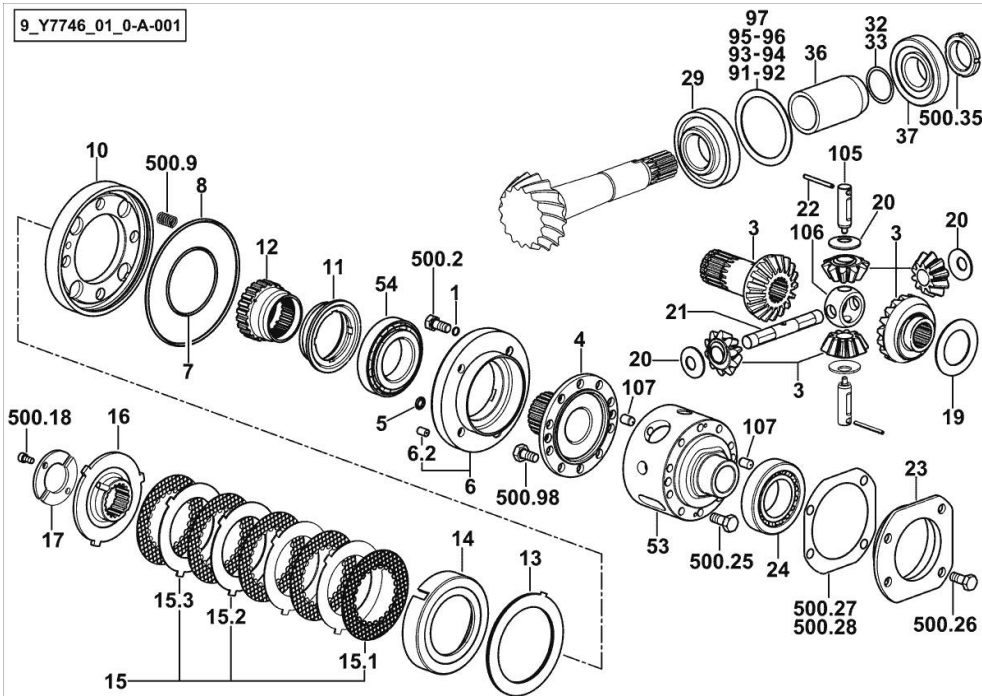


Fig.	P/n	QTY	Name
------	-----	-----	------

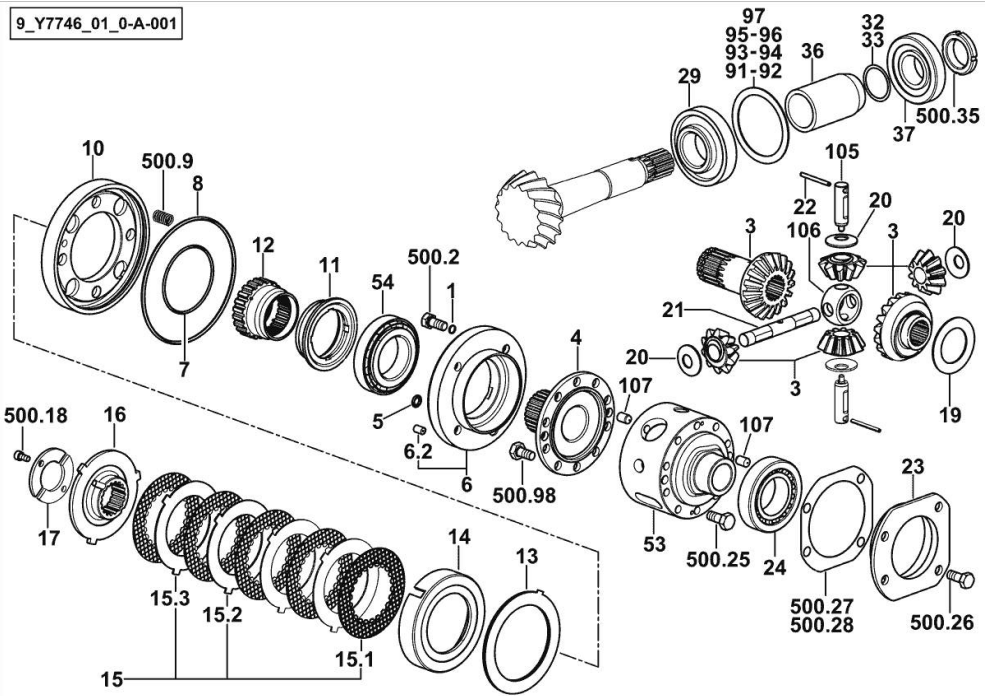
Notes:

[XM 100 T4i V-DRIVE]

1	2.1532.014.0	4	oil seal 7.65 x 1.78
3	0.013.6073.3/20	1	planet gear
4	0.009.7642.0/50	1	flange
5	2.1530.018.0	1	oil seal 9.19 x 2.62
6	0.009.7633.3/10	1	flange
6.2	2.1699.250.0/20	1	pin 8 x 12
7	2.1539.171.0	1	special oil seal 75.87 x 2.62
8	2.1532.246.0	1	oil seal 142.47x3.53
10	0.009.7630.0/40	1	piston
11	0.009.7635.0/40	1	ring nut m72x1.5x85x21
12	0.009.7632.0/30	1	hub
13	2.2999.335.0/10	1	special bearing 90x5
14	0.009.7637.0/10	1	box
15	0.010.4526.3	1	hydraulic PTO clutch kpl.
15.1	0.010.4525.2	5	clutch plate
15.2	0.007.7102.0	3	disc mm 1.5
15.3	0.007.7103.0	1	disc mm 1.7
16	0.009.7631.0/10	1	hub
17	0.009.7634.0/10	2	slewing ring
19	2.1599.431.0	1	shoulder ring 42x66x2
20	0.255.4629.0	4	shoulder ring 15.5x36x2
21	0.013.6067.0	1	pin
22	2.1631.418.0	2	pin 5 x 45
23	0.255.4652.0/20	1	flange
24	2.2540.005.0	1	roller bearing 45 x 85 x 24.75
29	2.2560.006.0	1	roller bearing 40 x 90 x 25.25
32	2.1580.101.0	2	shim 36 x 43 x 0.2
33	2.1580.102.0	3	shim 36 x 43 x 0.5
36	0.019.0472.0	1	spacer
37	2.2560.005.0	1	roller bearing 35 x 80 x 22.75
53	0.013.6062.0/40	1	differential carrier
54	2.2999.315.0	1	special bearing
91	2.1589.356.0	1	shoulder ring 73x89.5x0.6
92	2.1589.357.0	1	shoulder ring 73x89.5x0.7
93	2.1589.358.0	1	shoulder ring 73x89.5x0.8
94	2.1589.359.0	1	shoulder ring 73x89.5x0.9
95	2.1589.360.0	1	shoulder ring 73x89.5x1.65
96	2.1589.361.0	1	shoulder ring 73x89.5x1.75
97	2.1589.362.0	1	shoulder ring 73x89.5x1.85
105	0.013.6068.0	2	pin
106	0.013.6070.0	1	ring

4WD - FRONT DIFFERENTIAL

Fig.	P/n	QTY	Name
107	2.1659.523.0	4	pin 10 x 16
500.2	2.0119.199.2	4	screw 7/8"-9UCX88.9
500.9	2.4019.614.1	4	spring
500.18	2.0312.102.2	2	screw m 6 p.1 x 12
500.25	2.0139.025.1	10	screw m 10 p.1.25 x 25
500.26	2.0132.207.2	4	screw m 10 p.1 x 25
500.27	0.146.4654.0/10	4	shim 96x127x0.5
500.28	0.146.4653.0/10	4	shim 96x127x0.2
500.35	2.1214.008.7	1	ring nut 35 md
500.98	2.0139.002.1	10	screw m 10 p.1.25 x 20



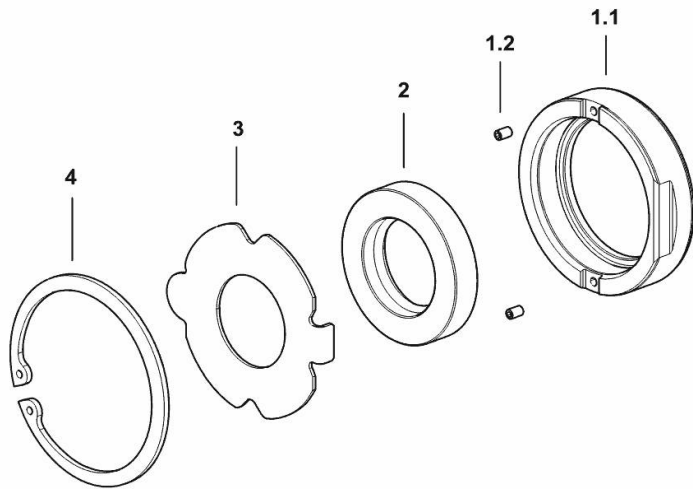
4WD - TRANSMISSION SHAFT - WITH STANDARD SEALS

Fig.	P/n	QTY	Name
------	-----	-----	------

Notes:

[XM 100 T4i V-DRIVE]

1.1	0.018.8525.0	1	bushing
1.2	2.0599.076.1	2	screw
2	2.1520.217.0	1	oil seal 35x62x12
3	0.018.8603.0	1	stop
4	2.1411.032.7	1	circlip Ø mm 80



9_Y8926_01_0-A-001

XM 100 T4i V-DRIVE

Section: F0 - FRONT AXLE

Ref: F0.04.9 (2)

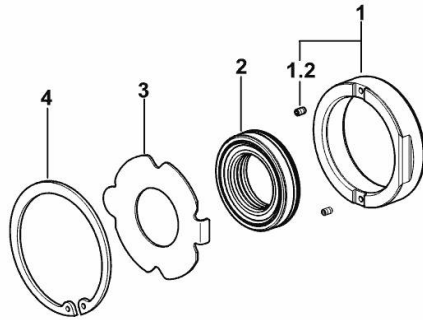
4WD - TRANSMISSION SHAFT - WITH WATERPROOF SEALS

Fig.	P/n	QTY	Name
------	-----	-----	------

Notes:

[XM 100 T4i V-DRIVE]

1	0.018.7203.3	1	bushing
1.2	2.0599.076.1	2	screw
2	2.1529.181.0	1	oil seal 35x60x13
3	0.018.8603.0	1	stop
4	2.1411.032.7	1	circlip Ø mm 80



9_Y8926_02_0-A-002

4WD - PROPELLER SHAFT

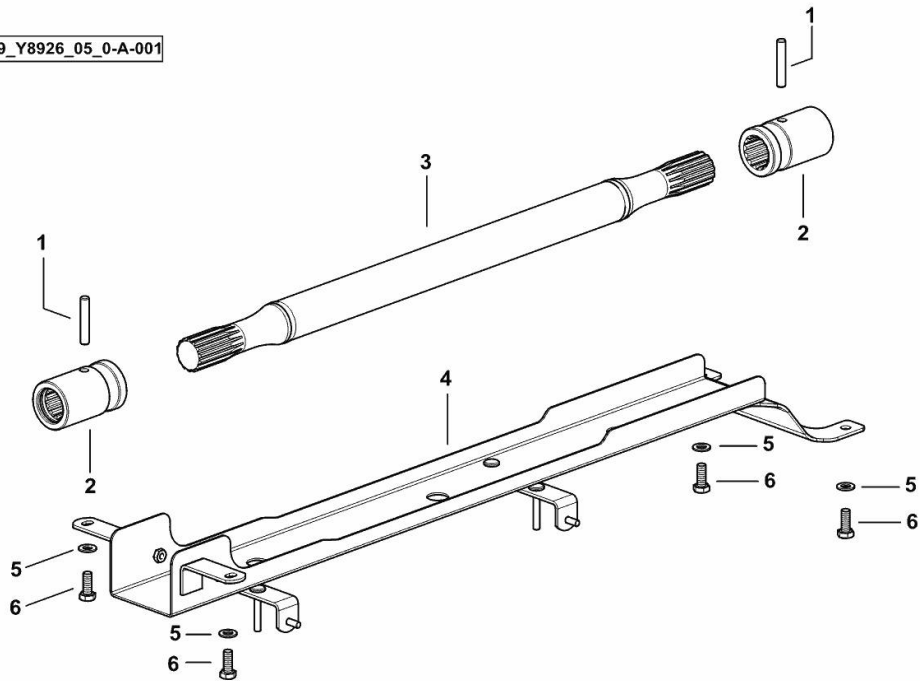
Fig.	P/n	QTY	Name
------	-----	-----	------

Notes:

- FOR TYPES WITHOUT SUSPENDED AXLE [XM 100 T4i V-DRIVE]

1	2.1631.718.0	2	roll pin 8 x 45
2	0.018.7956.0/10	2	sleeve
3	0.019.0711.2	1	shaft
4	0.019.1420.3	1	guard
5	2.1310.004.2	4	flat washer 8.4x17
6	2.0112.207.2	4	screw m 8 p 1.25 x 20

9_Y8926_05_0-A-001





Suggest:

For more complete manuals. Please go to the home page.

<https://www.ebooklibonline.com>

If the above button click is invalid. Please download this document first, and then click the above link to download the complete manual.

Thank you so much for reading

4WD - PROPELLER SHAFT

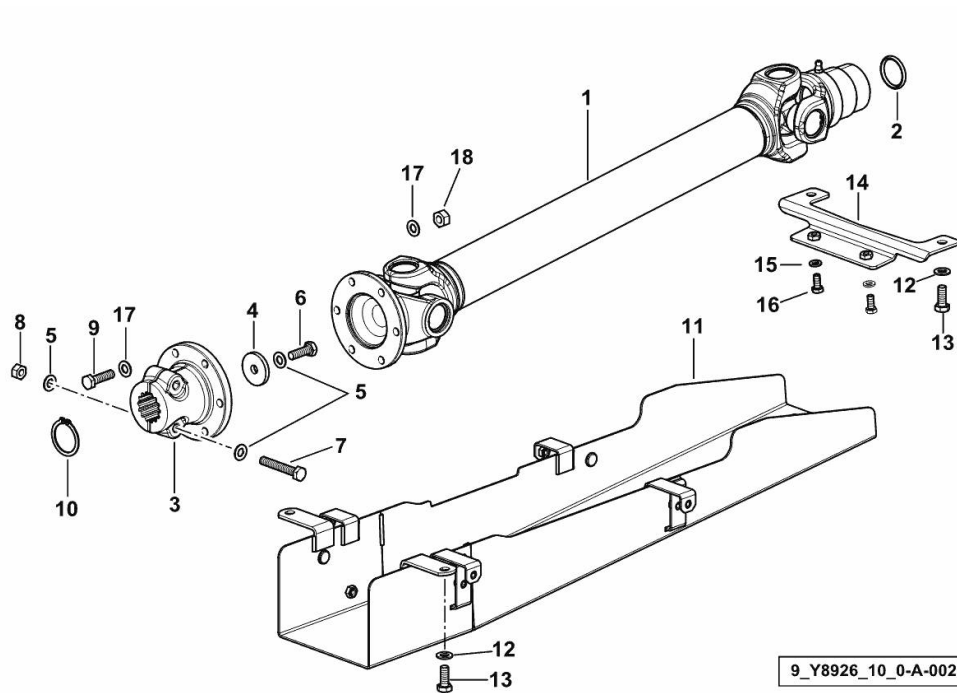


Fig.	P/n	QTY	Name
------	-----	-----	------

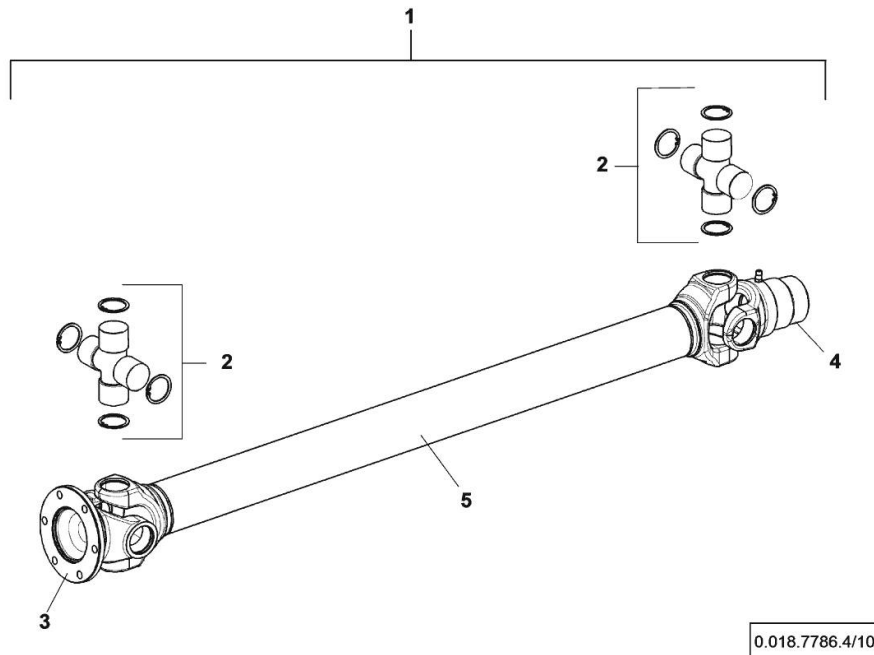
Notes:

- FOR TYPES WITH SUSPENDED DRIVING AXLE [XM 100 T4i V-DRIVE]

1	0.018.7786.4/10	1	transmission shaft ☞ 0.018.7786.4/10 ☞ 0.018.7786.4/10
2	2.1530.070.0	1	oil seal
3	0.018.9597.0/10	1	flange
4	2.1549.761.2	1	spacer
5	2.1475.002.7	5	washer 8.4
6	2.0113.209.2	1	screw m 8 p.1.25 x 25
7	2.0113.219.2	2	screw m 8 p.1.25 x 50
8	2.1012.105.7	2	nut m 8 p.1.25
9	2.0123.211.2	6	screw m8x30
10	2.1410.013.2	1	circlip 32
11	0.019.1433.3/20	1	guard
12	2.1310.004.2	4	flat washer 8.4x17
13	2.0112.207.2	4	screw m 8 p 1.25 x 20
14	0.019.1434.3	1	bracket
15	2.1310.002.2	2	flat washer 6.4x12.5
16	2.0112.004.2	2	screw m 6 p.1 x 14
17	2.1475.102.7	12	washer 8
18	2.1121.105.2	6	nut m 8 x 1

CARDAN JOINT GEWES GELENKWELLENWERK

Fig.	P/n	QTY	Name
1	0.018.7786.4/10	1	transmission shaft
2	0.900.1996.2	2	universal joint - KIT
3	0.900.1996.3	1	flange
4	0.900.1996.4	1	fork - KIT
5	0.000.0000.1		cannot be supplied



<https://www.ebooklibonline.com>

Hello dear friend!

Thank you very much for reading.

Enter the link into your browser.

The full manual is available for immediate download.

<https://www.ebooklibonline.com>