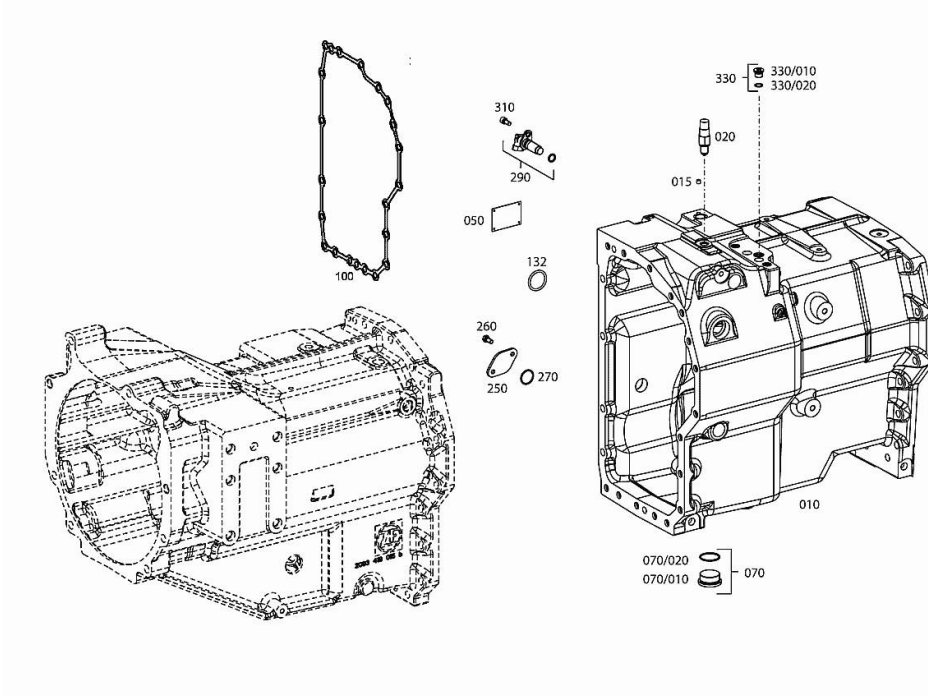


GEARBOX 2093 009 101

Fig.	P/n	QTY	Name
10	0.900.0487.9	1	gear box (...) <-
10	0.900.0954.7	1	gear box -> (...)
15	0.900.0952.5	1	plug
20	04416066	1	switch
50	04415260	1	plate
70	04435197	1	plug
70.10	04438472	1	plug m 42 p.1.5
70.20	02315144	1	oil seal 38x2.5
100	04415679	1	gasket (...) <-
132	0.010.2845.2	1	oil seal 38x4
250	0.010.3257.1	1	flange
260	04434497	2	screw m 8 x 18
270	0.010.3257.2	1	gasket 28x2.5
290	04438450	1	speed sensor L = 53,0mm
290.10	04417747	1	oil seal 15.54x2.62
310	0.010.2875.0	1	screw m 8 x 18
330	04435199	1	screw
330.10	04436330	1	screw m 16 p.1.5
330.20	02315162	1	oil seal 13x2



LAYSHAFT 2093 009 101

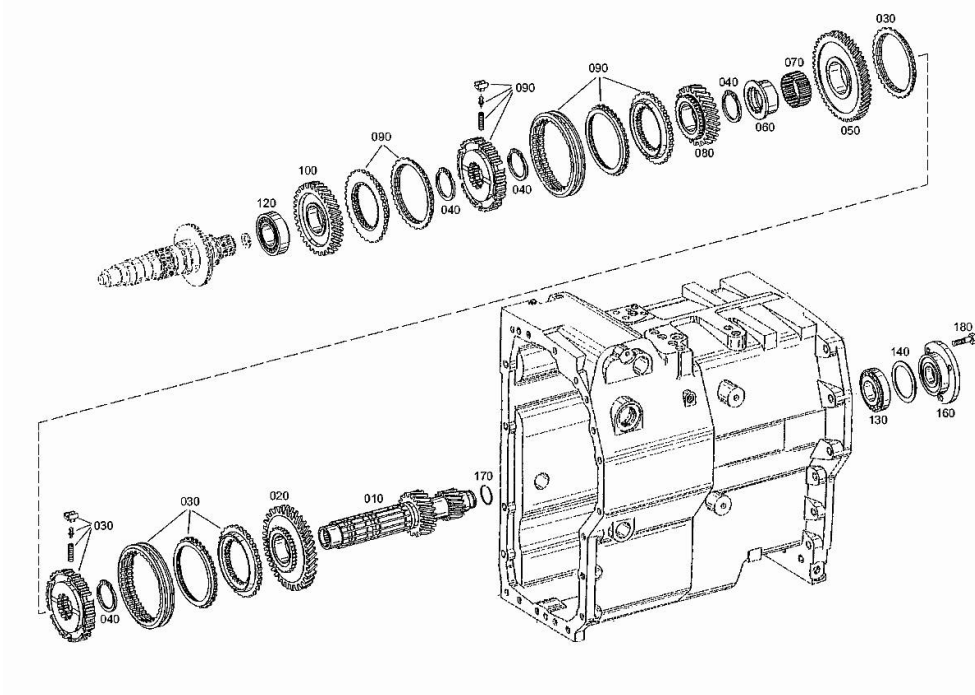


Fig.	P/n	QTY	Name
10	04435202	1	shaft
20	0.900.1380.7	1	gear Z = 47 -> (...)
20	04427597	1	wheel z=47 (...) <-
30	0.900.0881.6	1	lock synchronizer
40	04415687	4	circlip
50	0.900.0884.0	1	gear Z = 58 (...) <-
50	0.900.1380.8	1	gear Z = 58 -> (...)
60	0.900.1379.6	1	bush
60	04417177	1	bush L = 32.3
60	04417178	1	bush L = 32.4
60	04417179	1	bush L = 32.5
60	04417180	1	bush L = 32.6
60	04417181	1	bush L = 32.7
60	04417182	1	bush L = 32.8
70	0.010.2849.1	1	roller cage
80	0.900.0488.0	1	gear wheel z=30 (...) <-
80	0.900.1380.6	1	gear ->(…)
90	0.900.0881.7	1	lock synchronizer
100	0.900.0071.0	1	gear
120	0.010.3759.0	1	roller bearing -> (...)
120	04427599	1	roller bearing (...) <-
130	04416363	1	roller bearing
140	0.900.1378.1	1	shim
140	02965988	1	shim mm 2.40
140	04334537	1	shim mm 2.60
140	04334538	1	shim mm 2.55
140	04334539	1	shim mm 2.50
140	04334540	1	shim mm 2.45
140	04334541	1	shim mm 2.35
140	04334542	1	shim mm 2.30
140	04334543	1	shim mm 2.25
140	04334544	1	shim mm 2.20
140	04334545	1	shim mm 2.15
140	04334546	1	shim mm 2.10
140	04334547	1	shim mm 2.05
140	04334548	1	shim mm 2.00

<https://www.ebooklibonline.com>

Hello dear friend!

Thank you very much for reading.

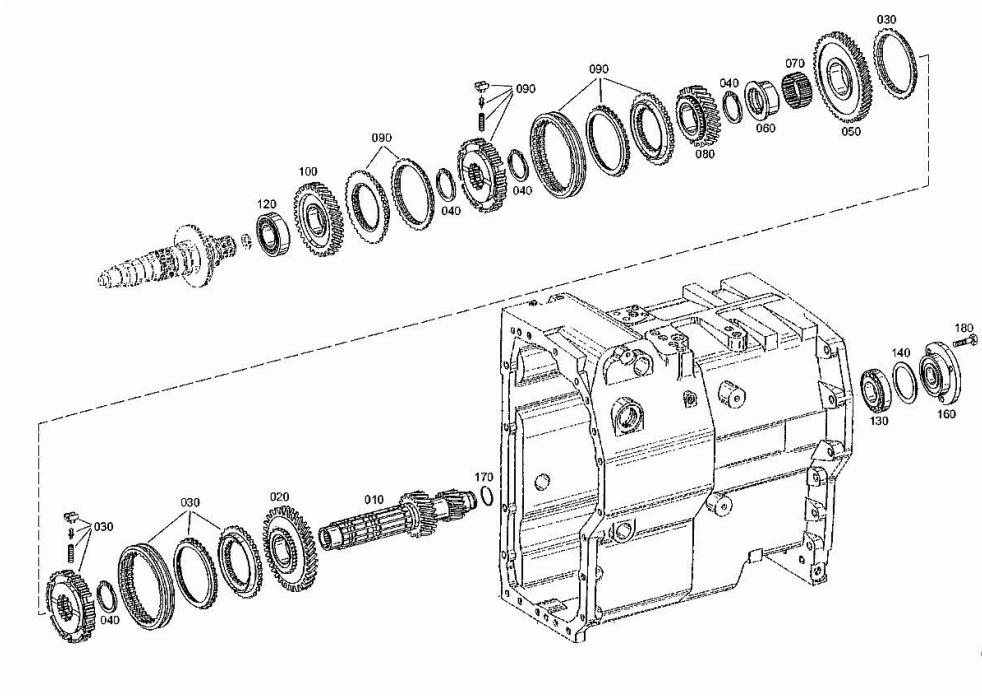
Enter the link into your browser.

The full manual is available for immediate download.

<https://www.ebooklibonline.com>

LAYSHAFT 2093 009 101

Fig.	P/n	QTY	Name
140	04334549	1	shim mm 1.95
140	04334550	1	shim mm 1.90
140	04334551	1	shim mm 1.85
140	04334552	1	shim mm 1.80
140	04334553	1	shim mm 1.75
140	04334554	1	shim mm 1.70
140	04433184	1	shim mm 1.65
140	04433185	1	shim mm 1.60
140	04436332	1	shim mm 1.725
140	04436333	1	shim mm 1.775
140	04436334	1	shim mm 1.875
140	04436335	1	shim mm 1.925
140	04436336	1	shim mm 1.975
160	04415760	1	cover
170	04415761	1	ring 35x2
180	0.010.2616.1	3	screw m 10x32



MAIN SHAFT 2093 009 101

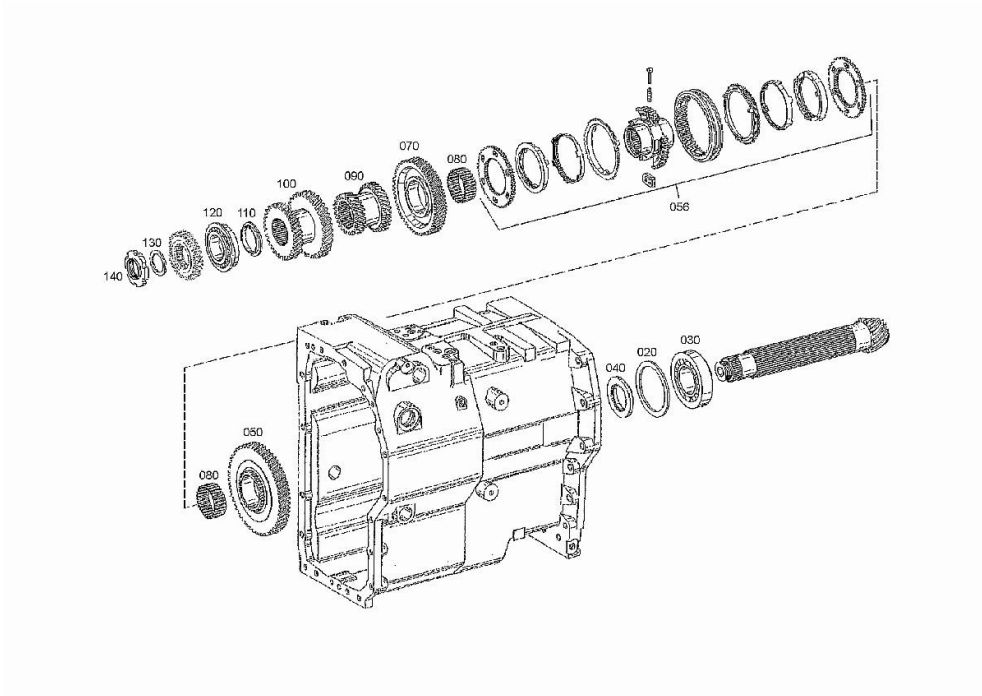


Fig.	P/n	QTY	Name
20	0.010.2849.2	1	shim s = 3.75
20	0.010.2850.0	1	shim s = 3.70
20	0.010.2850.1	1	shim s = 3.65
20	0.010.2850.2	1	shim s = 3.60
20	0.010.2851.0	1	shim s = 3.55
20	0.010.2851.1	1	shim s = 3.50
20	0.010.2851.2	1	shim s = 3.45
20	0.010.2852.0	1	shim s = 3.40
20	0.010.2852.1	1	shim s = 3.76
20	0.010.2852.2	1	shim s = 3.77
20	0.010.2853.0	1	shim s = 3.78
20	0.010.2853.1	1	shim s = 3.79
20	0.010.2853.2	1	shim s = 3.81
20	0.010.2854.0	1	shim s = 3.82
20	0.010.2854.1	1	shim s = 3.83
20	0.010.2854.2	1	shim s = 3.84
20	0.010.2855.0	1	shim S = 3.86
20	0.010.2855.1	1	shim s = 3.87
20	0.010.2855.2	1	shim s = 3.88
20	0.010.2856.0	1	shim s = 3.89
20	0.010.2856.1	1	shim s = 3.91
20	0.010.2856.2	1	shim s = 3.92
20	0.010.2857.0	1	shim s = 3.93
20	0.010.2857.1	1	shim s = 3.94
20	0.900.1378.6	1	shim
20	04417170	1	shim s = 3.95
20	04417171	1	shim s = 3.9
20	04417172	1	shim s = 3.85
20	04417173	1	shim s = 3.8
20	04417174	1	shim s = 4.0
20	04417175	1	shim s = 4.05
20	04417176	1	shim s = 4.10
30	04416073	1	roller bearing
40	04416074	1	shim
50	0.900.1381.1	1	gear Z = 75
56	0.010.3840.2	1	lock synchronizer
70	0.900.1380.9	1	gear z = 57 ->(…)
70	04427568	1	gear V2=Y (…) <-
80	04427570	2	roller cage
90	0.010.3258.1	1	gear Z = 25 (…) <-
90	0.900.1381.2	1	gear Z = 31

MAIN SHAFT 2093 009 101

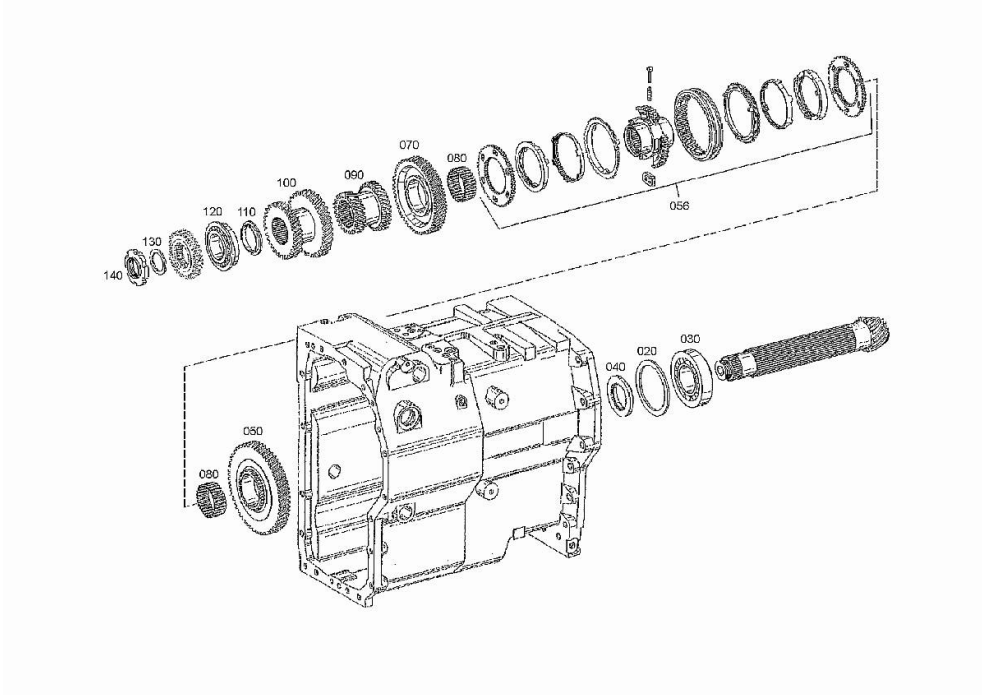
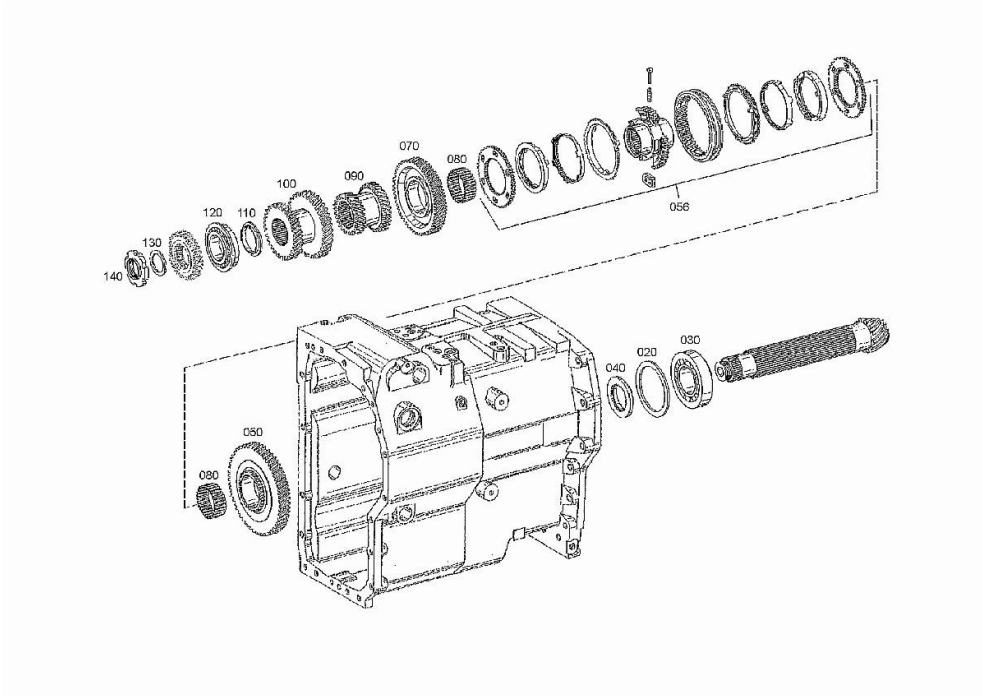


Fig.	P/n	QTY	Name
			-> (...)
100	0.900.0488.3	1	wheel z=39
			(...) <-
100	0.900.1381.0	1	gear z=39/41
			-> (...)
110	0.010.2858.0	1	shim s = 10.25
110	0.010.2858.1	1	shim s = 10.45
110	0.010.2858.2	1	shim s = 10.50
110	0.010.2859.0	1	shim s = 10.55
110	0.010.2859.1	1	shim s = 10.60
110	0.900.1378.7	1	shim
110	04417159	1	shim s = 10.4
110	04417160	1	shim s = 10.3
110	04417161	1	shim s = 10.2
110	04417162	1	shim s = 10.1
110	04417163	1	shim s = 10.0
110	04417164	1	shim s = 9.9
110	04417165	1	shim s = 9.8
110	04417166	1	shim s = 9.7
110	04417167	1	shim s = 9.6
110	04424444	1	shim s = 9.85
110	04424445	1	shim s = 9.95
110	04424446	1	shim s = 10.05
110	04424447	1	shim s = 10.15
110	04435222	1	shim s = 10.35
120	04416082	1	roller bearing
			(...) <-
130	0.010.2859.2	1	shim s = 3.75
130	0.010.2860.0	1	shim s = 3.80
130	0.010.2860.1	1	shim s = 3.85
130	0.010.2860.2	1	shim s = 3.90
130	0.010.2861.0	1	shim s = 3.95
130	0.010.2861.1	1	shim s = 4.00
130	0.900.1378.8	1	shim
130	04417146	1	shim s = 3.4
130	04417147	1	shim s = 3.35
130	04417148	1	shim s = 3.3
130	04417149	1	shim s = 3.25
130	04417150	1	shim s = 3.2
130	04417151	1	shim s = 3.15
130	04417152	1	shim s = 3.1
130	04417153	1	shim s = 3.45
130	04417154	1	shim s = 3.50
130	04417155	1	shim s = 3.55

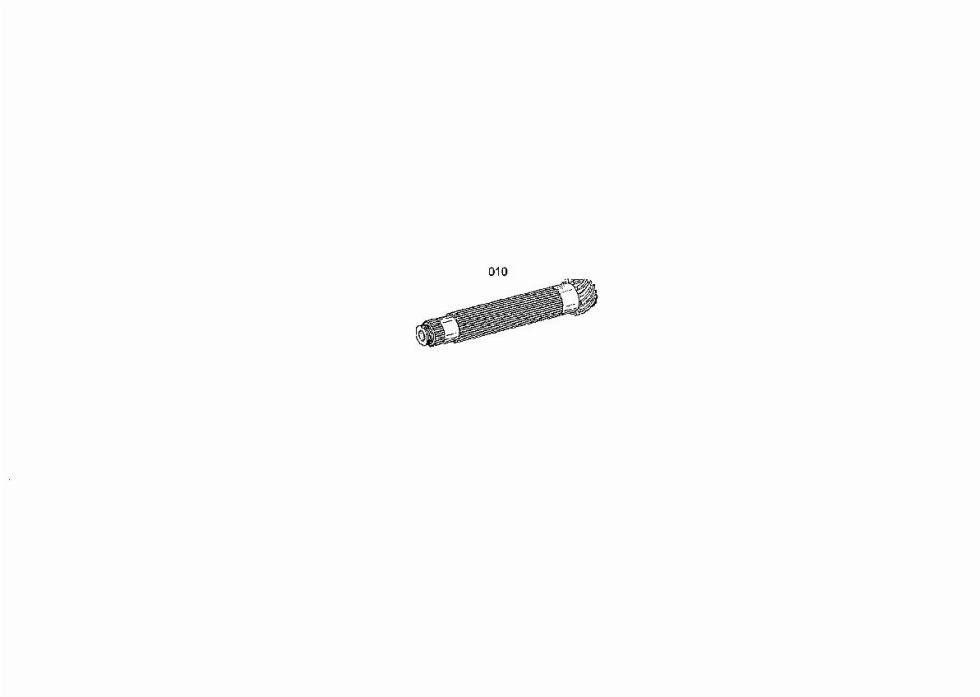
MAIN SHAFT 2093 009 101

Fig.	P/n	QTY	Name
130	04417156	1	shim s = 3.60
130	04417157	1	shim s = 3.65
130	04417158	1	shim s = 3.70
130	04424442	1	shim s = 2.90
130	04424443	1	shim s = 3.00
140	04415763	1	ring nut



MAIN SHAFT 2093 009 101

Fig.	P/n	QTY	Name
10	0.900.1385.7	1	shaft -> (...)
10	04423720	1	main shaft Z = 11 (...) <-





Suggest:

For more complete manuals. Please go to the home page.

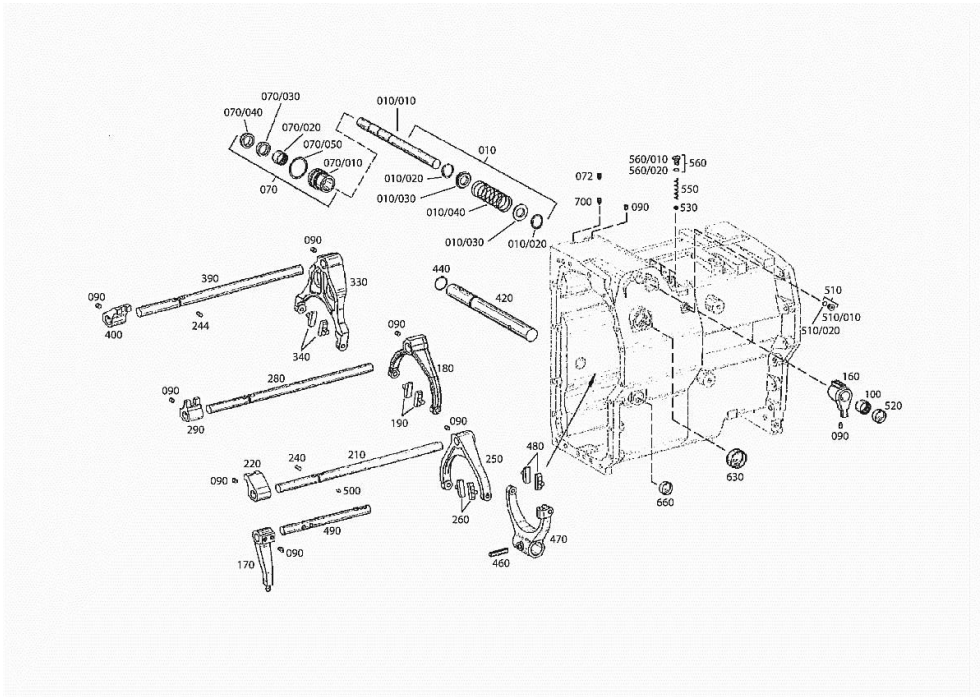
<https://www.ebooklibonline.com>

If the above button click is invalid. Please download this document first, and then click the above link to download the complete manual.

Thank you so much for reading

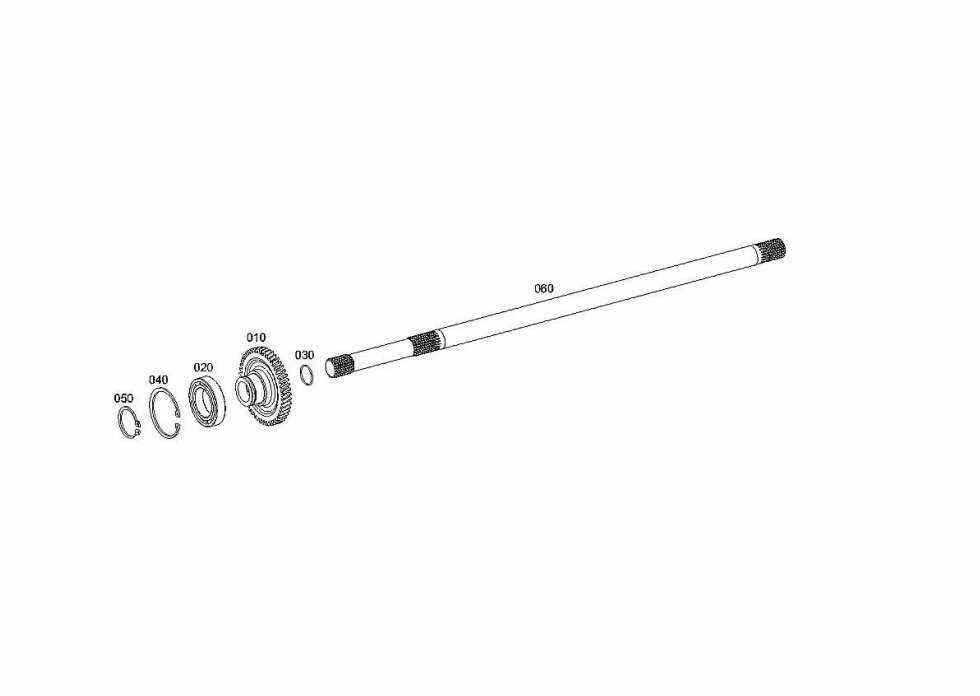
GEARSHIFT LEVER 2093 009 101

Fig.	P/n	QTY	Name
560.10	0.010.2617.3	1	screw m 12 p.1.5
560.20	04415796	1	oil seal 9.5x2
630	01122153	1	cover 42
660	0.010.2863.0	1	cover 30
700	01272647	1	stud bolt L = 13.7



P.T.O. - POWER TAKE OFF 2093 009 101

Fig.	P/n	QTY	Name
10	0.900.0884.3	1	gear Z = 49 (...) <-
10	0.900.0985.6	1	gear -> (...)
20	04415799	1	ball bearing
30	0.010.2863.1	1	circlip 30
40	0.010.2618.0	1	circlip 75x2.5
50	0.010.2863.2	1	circlip 45x2.5
60	0.900.1386.1	1	shaft (...) <-
60	04431732	1	shaft -> (...)



<https://www.ebooklibonline.com>

Hello dear friend!

Thank you very much for reading.

Enter the link into your browser.

The full manual is available for immediate download.

<https://www.ebooklibonline.com>