

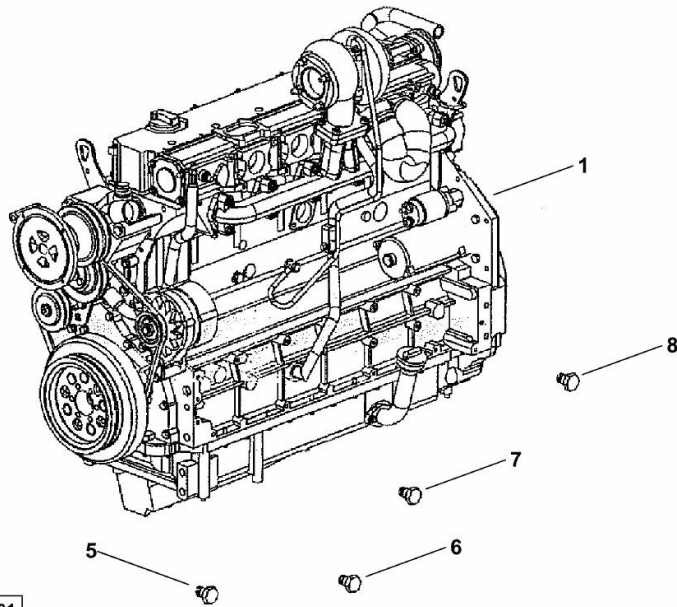
**ENGINE**

Fig.	P/n	QTY	Name
------	-----	-----	------

**Notes:**

- EXPORT U.S.A. [XL165.7]

1	25006809	1	new engine >100 kw ON ORDERING PLEASE ENGINE NO. REQUIRED
5	01167308	4	plug 7.2x5.2x9
6	01167312	3	plug 10.3x8 x17
7	01167315	1	plug 12.4x10x17
8	01167322	6	bottom 18.4x15.5x25



K9\_M9319\_02\_0-A-001

**FASTENINGS**

Fig.	P/n	QTY	Name
------	-----	-----	------

Notes:  
[XL165.7]

**Engine serial number:**

10055319 10055322 10055324 10055326 10055329 10055332 10056354 10235476 10239561 10349937 10349938  
10397717 10400606 10400615 10400617 10410823 10523223 10523224 10523231 10523238

3	04910582	1	gasket
4	01143362	14	screw
			5 Nm, 30 Nm consult workshop manual 5 Nm, 21 Nm consult workshop manual EN 1662 -F-M8X35-10.9-A4C
5	01181406	1	bushing H 2341 -B11X8-FE/ZN12C*

001 ©

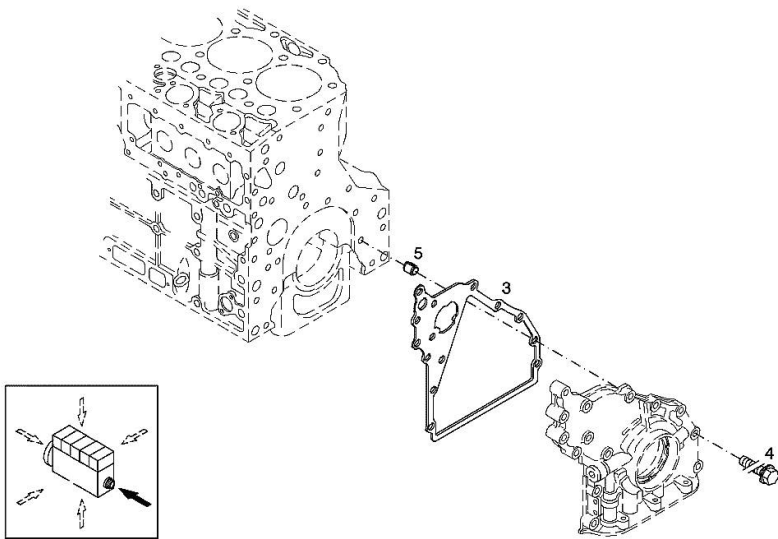


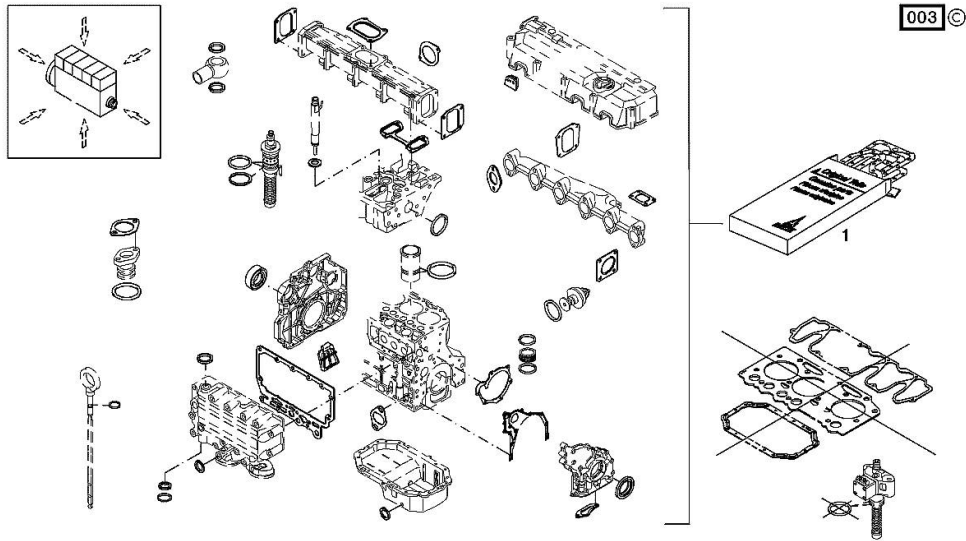
Fig.	P/n	QTY	Name
------	-----	-----	------

Notes:  
 [XL165.7]

**Engine serial number:**

10055319 10055322 10055324 10055326 10055329 10055332 10056354 10235476 10239561 10349937 10349938  
 10397717 10400606 10400615 10400617 10410823 10523223 10523224 10523231 10523238

1	02937627	1	gasket set The gasket kit does not contain: GASKET IN FIG. (SM 0199-99-9449)
---	----------	---	---



**<https://www.ebooklibonline.com>**

Hello dear friend!

Thank you very much for reading.

Enter the link into your browser.

The full manual is available for immediate download.

**<https://www.ebooklibonline.com>**

**BLEEDING TUBE**

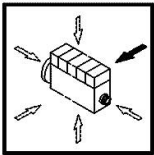
Fig.	P/n	QTY	Name
------	-----	-----	------

Notes:  
[XL165.7]

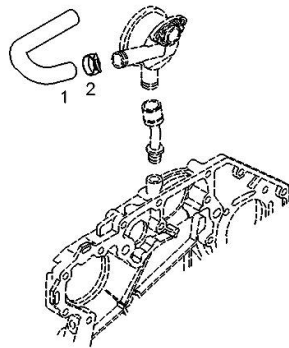
**Engine serial number:**

10055319 10055322 10055324 10055326 10055329 10055332 10056354 10235476 10239561 10349937 10349938  
10397717 10400606 10400615 10400617 10410823 10523223 10523224 10523231 10523238

1	04198572	1	tube
2	01178750	1	clamp DIN 3021 -A-29X15



000 ©



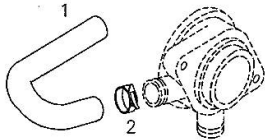
**BLEEDING TUBE**

Fig.	P/n	QTY	Name
------	-----	-----	------

Notes:  
[XL165.7]

1	04198572	1	tube
2	01178750	3	clamp DIN 3021 -A-29X15

001



Section: B0 - ENGINE  
**CRANKCASE BREATHER**

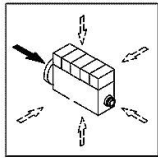
Fig.	P/n	QTY	Name
------	-----	-----	------

Notes:  
 [XL165.7]

**Engine serial number:**

10055319 10055322 10055324 10055326 10055329 10055332 10056354 10235476 10239561 10349937 10349938  
 10397717 10400606 10400615 10400617 10410823 10523223 10523224 10523231 10523238

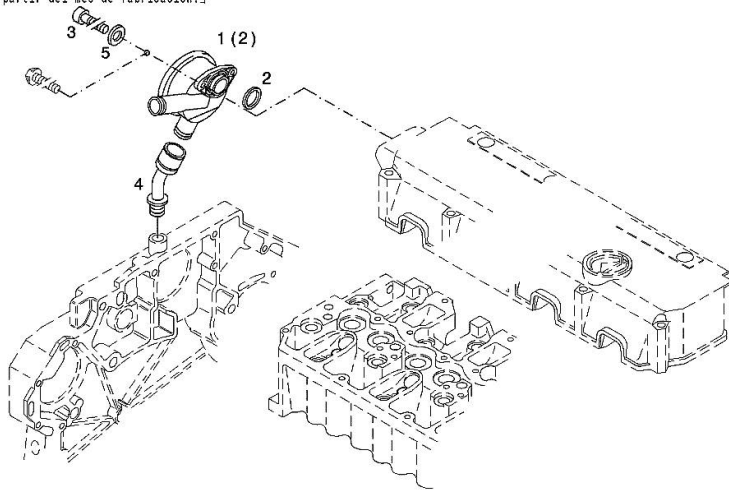
1	04255055	1	valve WITH POS.... (2)
2	04207649	1	ring
3	01148431	2	screw - FROM THE MONTH OF ASSEMBLY SEE POS. ( B ) - UP TO THE MONTH OF ASSEMBLY ( A ) FROM THE MONTH OF ASSEMBLY A = 09.1995 B = POS. 950 ISO 4762 -M6X20-8.8-ZNAL-A
4	04207290	1	pipng
5	01124654	2	washer 6,4 d433 ISO 7092 -6-140HV-A4C*
950	01181965	2	screw - UP TO MONTH OF ASSEMBLY ( A ) - FROM MONTH OF ASSEMBLY SEE POS. ( B ) A = 08.1995 B = POS. 3 EN 1662 -F-M6X20-10.9-ZNAL-A



ab Baumonat:  
 from month of manufacture:  
 a partir mois de montage:  
 a partir del mes de fabricacion:

09.95

002 ©



**CRANKCASE**

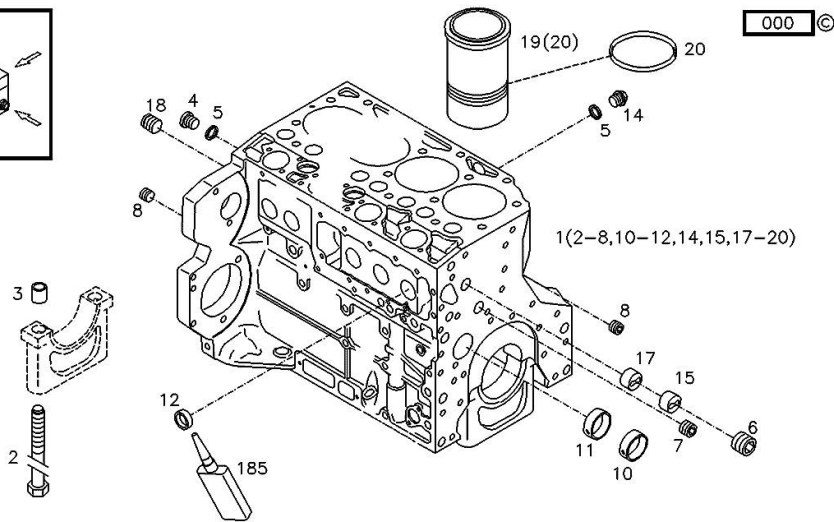
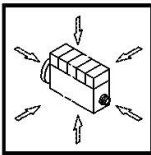
Fig.	P/n	QTY	Name
------	-----	-----	------

Notes:  
[XL165.7]

**Engine serial number:**

10055319 10055322 10055324 10055326 10055329 10055332 10056354 10235476 10239561 10349937 10349938  
10397717 10400606 10400615 10400617 10410823 10523223 10523224 10523231 10523238

1	04282827	1	crankcase WITH POS.... (2-8,10-12,14,15,17-20)
2	04251254	14	screw
3	04200078	14	bushing
4	01110423	2	screw DIN 908 -M14X1,5-ST-ZNPHRF
5	01118693	4	gasket 14x20 DIN 7603 -A14X20-CU
6	01182033	1	screw H 2812 -906-M30X1,5-ST-A3C-LOCTITE506
7	01182032	1	screw H 2812 -906-M22X1,5-ST-A3C-LOCTITE506
8	01182031	2	screw H 2812 -906-M14X1,5-ST-A3C-LOCTITE506
10	04200021	6	bushing
11	04200022	1	bushing
12	01179635	10	plug H 2860 -A45-ST-FE/ZNPHR
14	01100940	2	screw DIN 7604 -AM14X1,5-ST-A4C
15	04202518	1	sleeve
17	04202517	1	sleeve
18	01181155	1	plug H 2812 -2838-M22X1,5-ST-A4C-PRE80
19	04282014	6	cylinder liner WITH POS.... (20) 032 (021-025,031,141)
20	01181178	12	special oil seal H 2927 -112X3,0-FPM-2-70
185	01016127	1	sealing compound ml. 50 H 0699 -DEUTZDW72-50ML



0607 8215

**ACCESSORIES**

Fig.	P/n	QTY	Name
------	-----	-----	------

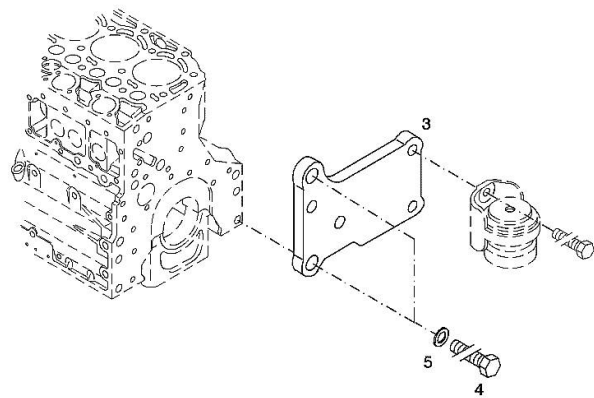
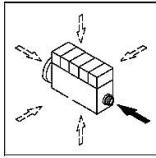
**Notes:**  
[XL165.7]

**Engine serial number:**

10055319 10055322 10055324 10055326 10055329 10055332 10056354 10235476 10239561 10349937 10349938  
10397717 10400606 10400615 10400617 10410823 10523223 10523224 10523231 10523238

3	04288659	1	support
4	01148261	2	screw ISO 4017 -M16X40-10.9-ZNAL-A
5	01181400	2	washer H 2308 -18X25X1,5-A4C

006 ©



**OIL FILLER NECK**

Fig.	P/n	QTY	Name
------	-----	-----	------

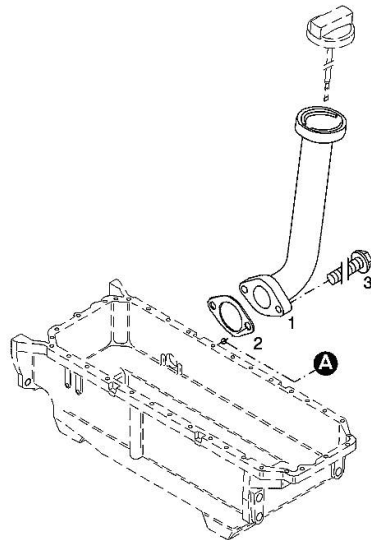
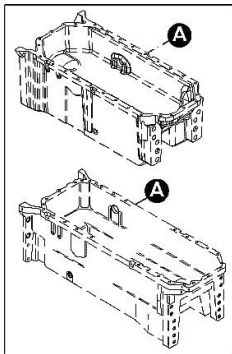
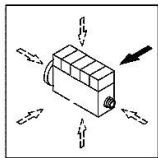
Notes:  
[XL165.7]

**Engine serial number:**

10055319 10055322 10055324 10055326 10055329 10055332 10056354 10235476 10239561 10349937 10349938  
10397717 10400606 10400615 10400617 10410823 10523223 10523224 10523231 10523238

1	04207099	1	tube
2	01178421	1	gasket DIN 71511 -35X58X1,5-DEUTZFW31
3	01181433	2	screw 30 Nm EN 1662 -F-M8X20-LG2,5-10.9-ZNAL-A

001 ©





**Suggest:**

**For more complete manuals. Please go to the home page.**

**<https://www.ebooklibonline.com>**

**If the above button click is invalid. Please download this document first, and then click the above link to download the complete manual.**

**Thank you so much for reading**

**ACCESSORIES**

Fig.	P/n	QTY	Name
------	-----	-----	------

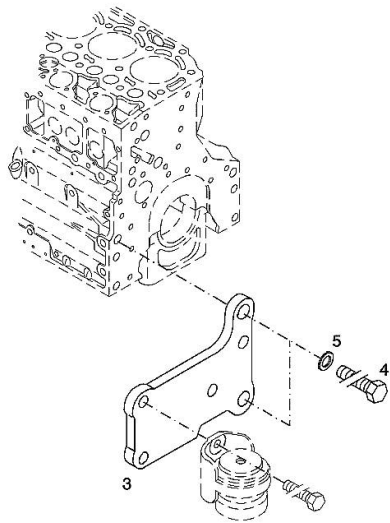
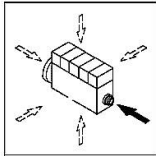
Notes:  
[XL165.7]

**Engine serial number:**

10055319 10055322 10055324 10055326 10055329 10055332 10056354 10235476 10239561 10349937 10349938  
10397717 10400606 10400615 10400617 10410823 10523223 10523224 10523231 10523238

3	04288660	1	support
4	01148261	2	screw ISO 4017 -M16X40-10.9-ZNAL-A
5	01181400	2	washer H 2308 -18X25X1,5-A4C

003 ©



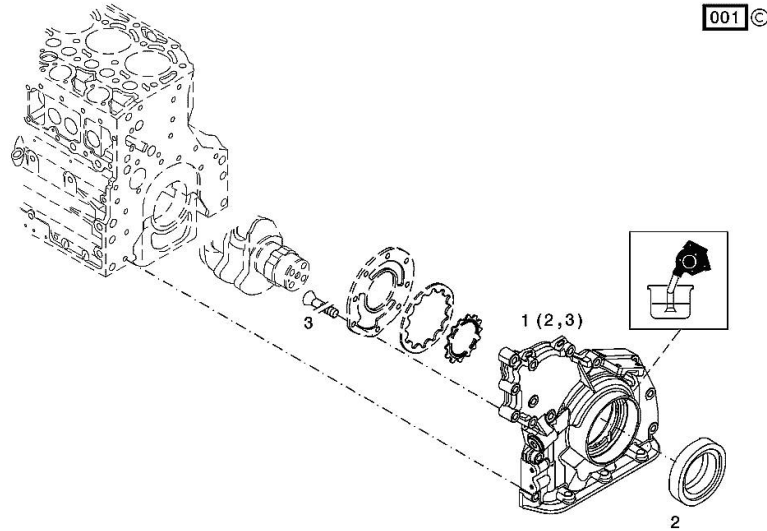
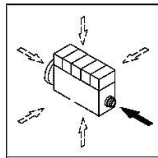
**FRONT COVER**

Fig.	P/n	QTY	Name
------	-----	-----	------

Notes:  
[XL165.7]

Engine serial number:  
10055319 10055322 10055324 10055326 10055329 10055332 10056354

1	04259226	1	cover WITH POS.... (2,3)
2	04253373	1	oil seal
3	01133718	8	screw DIN 7991 -M6X16-8.8-A4C



**<https://www.ebooklibonline.com>**

Hello dear friend!

Thank you very much for reading.

Enter the link into your browser.

The full manual is available for immediate download.

**<https://www.ebooklibonline.com>**