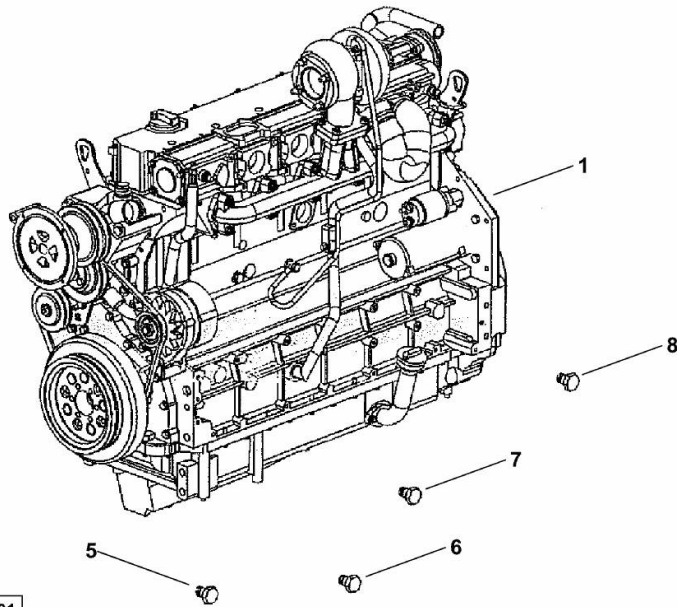


ENGINE

Fig.	P/n	QTY	Name
------	-----	-----	------

Notes:
[XL165.7 HI-LEVEL]

1	25006808	1	engine ON ORDERING PLEASE ENGINE NO. REQUIRED
5	01167308	4	plug 7.2x5.2x9
6	01167312	3	plug 10.3x8 x17
7	01167315	1	plug 12.4x10x17
8	01167322	6	bottom 18.4x15.5x25



K9_M9319_01_0-A-001

Section: B0 - ENGINE

FASTENINGS

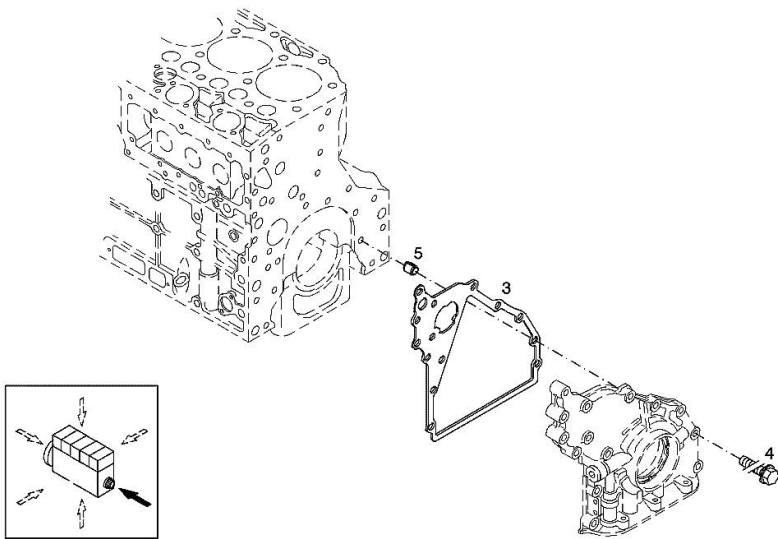
Fig.	P/n	QTY	Name
------	-----	-----	------

Notes:
[XL165.7 HI-LEVEL]

Engine serial number:
10339644

3	04910582	1	gasket
4	01143362	14	screw
			5 Nm, 30 Nm consult workshop manual 5 Nm, 21 Nm consult workshop manual
			EN 1662 -F-M8X35-10.9-A4C
5	01181406	1	bushing
			H 2341 -B11X8-FE/ZN12C*

001 ©



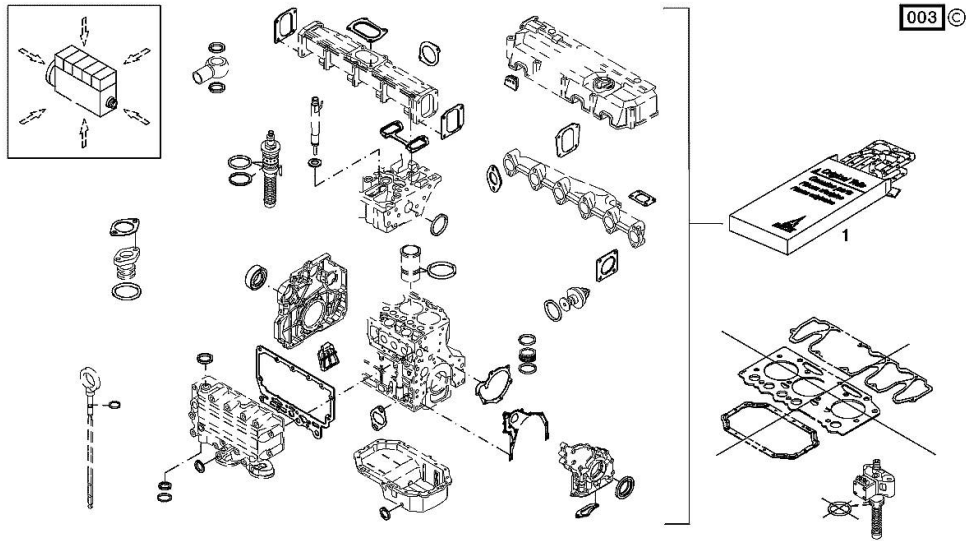
Section: B0 - ENGINE
SERIE GUARNIZIONI

Fig.	P/n	QTY	Name
------	-----	-----	------

Notes:
 [XL165.7 HI-LEVEL]

Engine serial number:
 10339644

1	02937627	1	gasket set The gasket kit does not contain: GASKET IN FIG. (SM 0199-99-9449)
---	----------	---	---



<https://www.ebooklibonline.com>

Hello dear friend!

Thank you very much for reading.

Enter the link into your browser.

The full manual is available for immediate download.

<https://www.ebooklibonline.com>

Section: B0 - ENGINE

BLEEDING TUBE

Fig.	P/n	QTY	Name
------	-----	-----	------

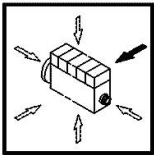
Notes:

[XL165.7 HI-LEVEL]

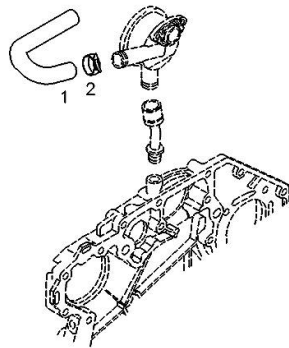
Engine serial number:

10339644

1	04198572	1	tube
2	01178750	1	clamp DIN 3021 -A-29X15



000 ©



Section: B0 - ENGINE

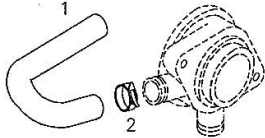
BLEEDING TUBE

Fig.	P/n	QTY	Name
------	-----	-----	------

Notes:
[XL165.7 HI-LEVEL]

1	04198572	1	tube
2	01178750	3	clamp DIN 3021 -A-29X15

001



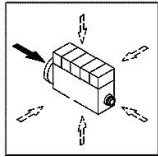
Section: B0 - ENGINE
CRANKCASE BREATHER

Fig.	P/n	QTY	Name
------	-----	-----	------

Notes:
 [XL165.7 HI-LEVEL]

Engine serial number:
 10339644

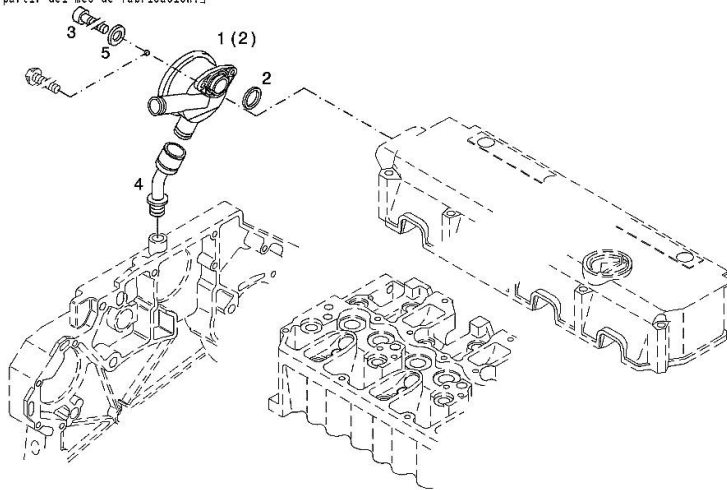
1	04255055	1	valve WITH POS.... (2)
2	04207649	1	ring
3	01148431	2	screw - FROM THE MONTH OF ASSEMBLY SEE POS. (B) - UP TO THE MONTH OF ASSEMBLY (A) FROM THE MONTH OF ASSEMBLY A = 09.1995 B = POS. 950 ISO 4762 -M6X20-8.8-ZNAL-A
4	04207290	1	pipng
5	01124654	2	washer 6,4 d433 ISO 7092 -6-140HV-A4C*
950	01181965	2	screw - UP TO MONTH OF ASSEMBLY (A) - FROM MONTH OF ASSEMBLY SEE POS. (B) A = 08.1995 B = POS. 3 EN 1662 -F-M6X20-10.9-ZNAL-A



ab Baumont:
 from month of manufacture:
 a partir mois de montage:
 a partir del mes de fabricacion:

09.95

002 ©



Section: B0 - ENGINE

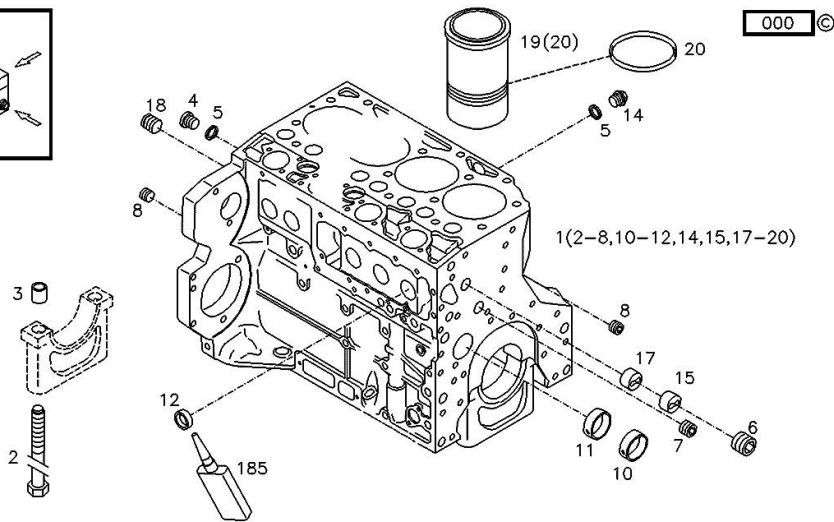
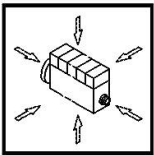
CRANKCASE

Fig.	P/n	QTY	Name
------	-----	-----	------

Notes:
[XL165.7 HI-LEVEL]

Engine serial number:
10339644

1	04282827	1	crankcase WITH POS.... (2-8,10-12,14,15,17-20)
2	04251254	14	screw
3	04200078	14	bushing
4	01110423	2	screw DIN 908 -M14X1,5-ST-ZNPHRF
5	01118693	4	gasket 14x20 DIN 7603 -A14X20-CU
6	01182033	1	screw H 2812 -906-M30X1,5-ST-A3C-LOCTITE506
7	01182032	1	screw H 2812 -906-M22X1,5-ST-A3C-LOCTITE506
8	01182031	2	screw H 2812 -906-M14X1,5-ST-A3C-LOCTITE506
10	04200021	6	bushing
11	04200022	1	bushing
12	01179635	10	plug H 2860 -A45-ST-FE/ZNPHR
14	01100940	2	screw DIN 7604 -AM14X1,5-ST-A4C
15	04202518	1	sleeve
17	04202517	1	sleeve
18	01181155	1	plug H 2812 -2838-M22X1,5-ST-A4C-PRE80
19	04282014	6	cylinder liner WITH POS.... (20) 032 (021-025,031,141)
20	01181178	12	special oil seal H 2927 -112X3,0-FPM-2-70
185	01016127	1	sealing compound ml. 50 H 0699 -DEUTZDW72-50ML



0507 8215

Section: B0 - ENGINE

ACCESSORIES

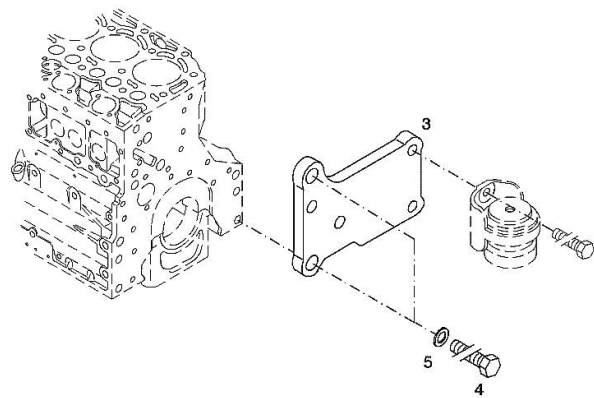
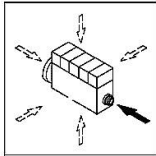
Fig.	P/n	QTY	Name
------	-----	-----	------

Notes:
[XL165.7 HI-LEVEL]

Engine serial number:
10339644

3	04288659	1	support
4	01148261	2	screw ISO 4017 -M16X40-10.9-ZNAL-A
5	01181400	2	washer H 2308 -18X25X1,5-A4C

006 ©



Section: B0 - ENGINE
OIL FILLER NECK

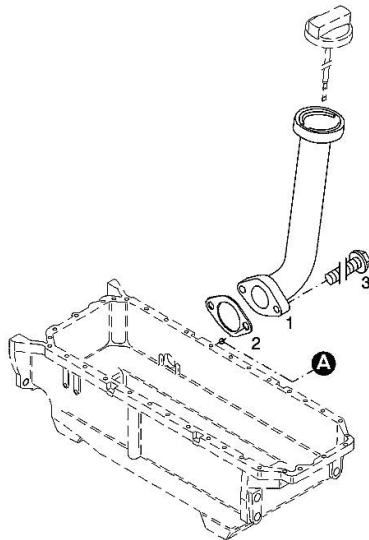
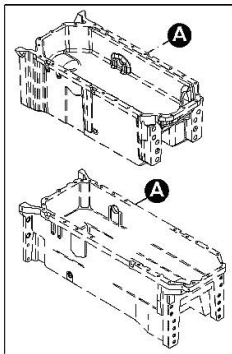
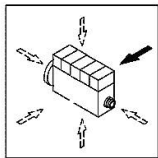
Fig.	P/n	QTY	Name
------	-----	-----	------

Notes:
 [XL165.7 HI-LEVEL]

Engine serial number:
 10339644

1	04207099	1	tube
2	01178421	1	gasket DIN 71511 -35X58X1,5-DEUTZFW31
3	01181433	2	screw 30 Nm EN 1662 -F-M8X20-LG2,5-10.9-ZNAL-A

001 ©



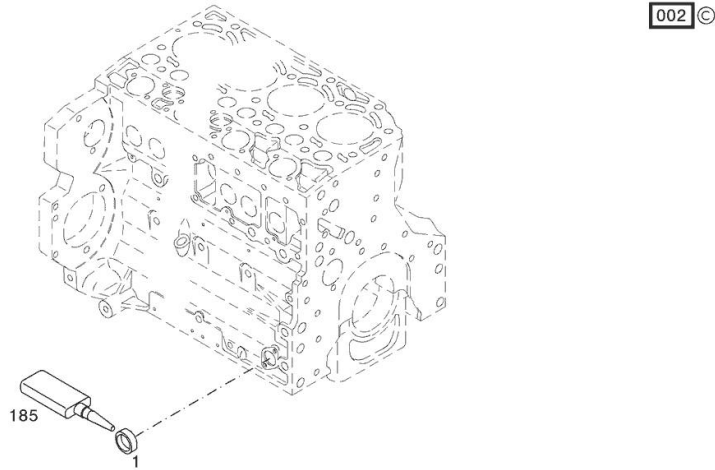
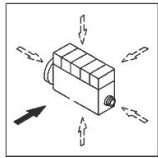
PLUG

Fig.	P/n	QTY	Name
------	-----	-----	------

Notes:

[XL165.7 HI-LEVEL]

1	01148031	1	plug DIN 443 -A36-ZNPHR
185	01319911	1	sealing compound ml. 50



ACCESSORIES

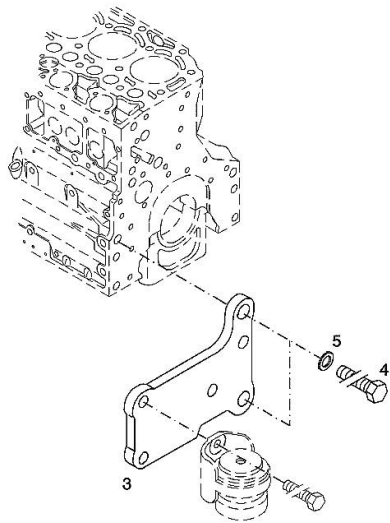
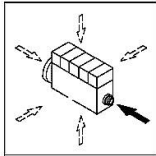
Fig.	P/n	QTY	Name
------	-----	-----	------

Notes:
[XL165.7 HI-LEVEL]

Engine serial number:
10339644

3	04288660	1	support
4	01148261	2	screw ISO 4017 -M16X40-10.9-ZNAL-A
5	01181400	2	washer H 2308 -18X25X1,5-A4C

003 ©

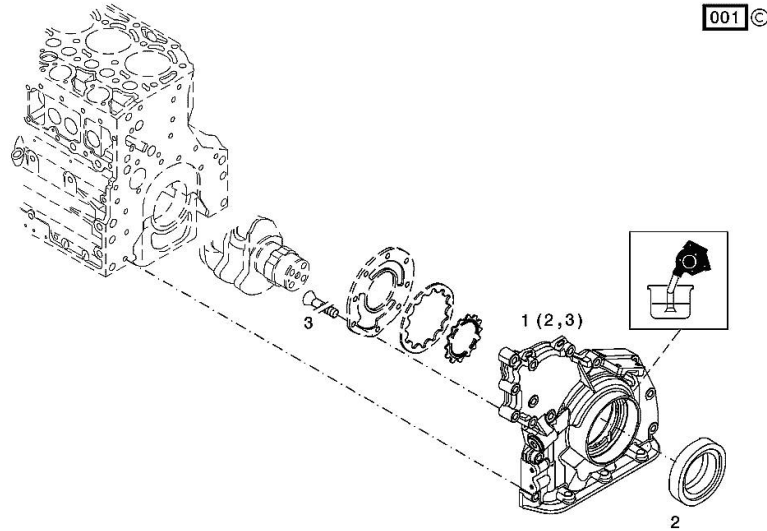
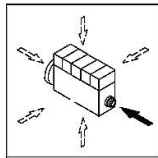


FRONT COVER

Fig.	P/n	QTY	Name
------	-----	-----	------

Notes:
[XL165.7 HI-LEVEL]

1	04259226	1	cover WITH POS.... (2,3)
2	04253373	1	oil seal
3	01133718	8	screw DIN 7991 -M6X16-8.8-A4C



FILLER CAP

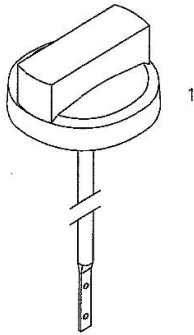
Fig.	P/n	QTY	Name
------	-----	-----	------

Notes:
[XL165.7 HI-LEVEL]

Engine serial number:
10339644

1	01180286	1	plug H 2875 -B2-OL40-166X4-130X12
---	----------	---	--------------------------------------

000





Suggest:

For more complete manuals. Please go to the home page.

<https://www.ebooklibonline.com>

If the above button click is invalid. Please download this document first, and then click the above link to download the complete manual.

Thank you so much for reading

Section: B0 - ENGINE

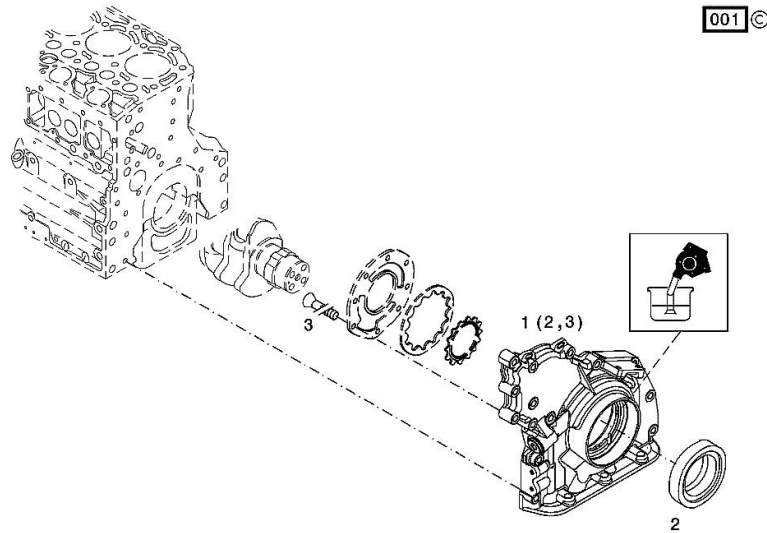
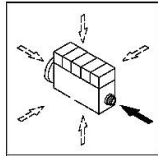
FRONT COVER

Fig.	P/n	QTY	Name
------	-----	-----	------

Notes:
[XL165.7 HI-LEVEL]

Engine serial number:
10339644

1	04289742	1	cap WITH POS.... (2,3)
2	04253373	1	oil seal
3	01133718	8	screw DIN 7991 -M6X16-8.8-A4C

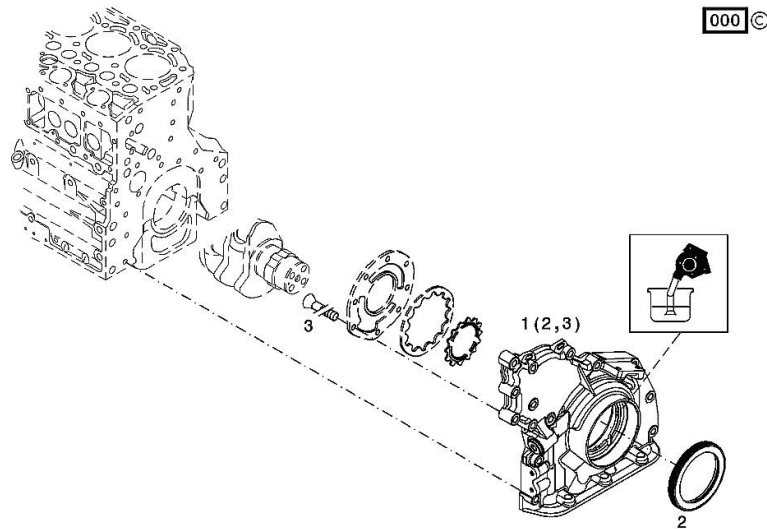
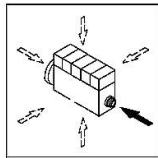


FRONT COVER

Fig.	P/n	QTY	Name
------	-----	-----	------

Notes:
[XL165.7 HI-LEVEL]

1	04507272	1	cover WITH POS.... (2,3)
2	04907772	1	oil seal
3	01133718	8	screw DIN 7991 -M6X16-8.8-A4C



<https://www.ebooklibonline.com>

Hello dear friend!

Thank you very much for reading.

Enter the link into your browser.

The full manual is available for immediate download.

<https://www.ebooklibonline.com>