

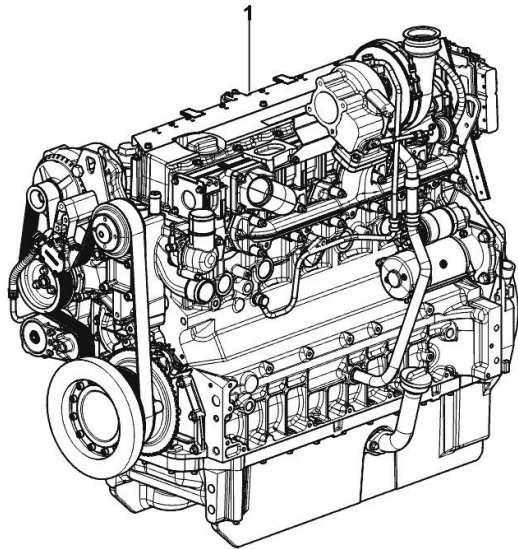
ENGINE

Fig.	P/n	QTY	Name
------	-----	-----	------

Notes:

[XL 160 HI-LEVEL DCR]

1	25007593	1	engine ON ORDERING PLEASE ENGINE NO. REQUIRED
---	----------	---	---



K9_O4919_01_0-A-001

Section: B0 - ENGINE

FASTENINGS

Fig.	P/n	QTY	Name
------	-----	-----	------

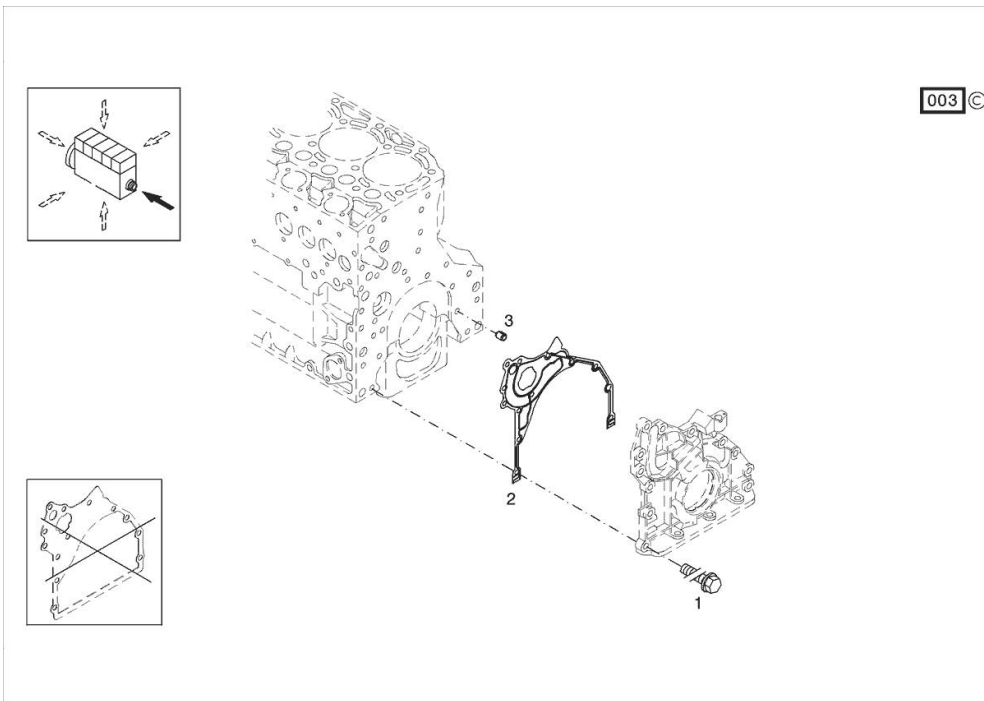
Notes:

[XL 160 HI-LEVEL DCR]

Engine serial number:

10720452 10736988 10754542 10754551

1	01183645	12	screw EN 1662 -F-M8X35-10.9-ZNAL-A
2	04504325	1	gasket
3	01181406	1	bushing H 2341 -B11X8-FE/ZN12C*



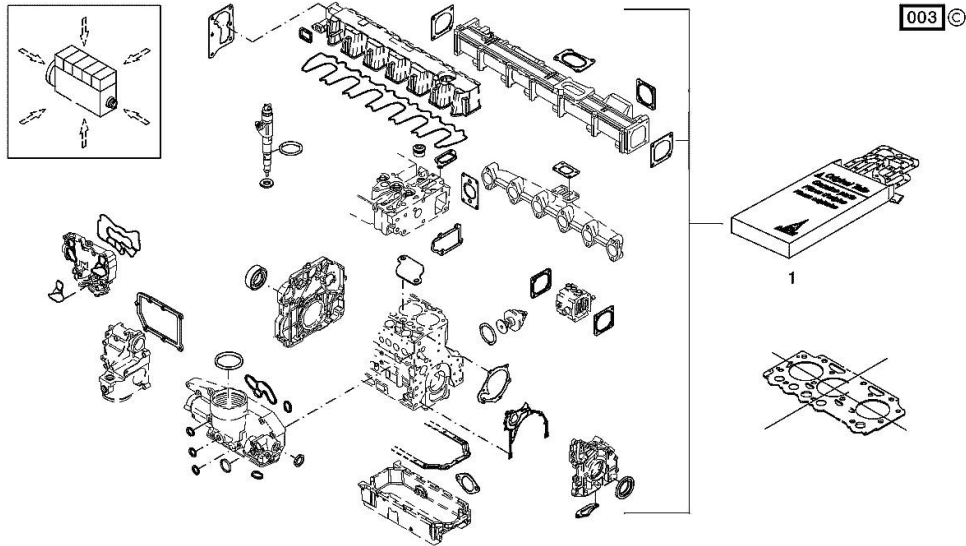
Section: B0 - ENGINE
SERIE GUARNIZIONI

Fig.	P/n	QTY	Name
------	-----	-----	------

Notes:
 [XL 160 HI-LEVEL DCR]

Engine serial number:
 10720452 10736988 10754542 10754551

1	02937588	1	gasket set THE KIT DOES NOT CONTAIN ALL THE GASKETS: SEE SM 0199-99-9449
---	----------	---	--



<https://www.ebooklibonline.com>

Hello dear friend!

Thank you very much for reading.

Enter the link into your browser.

The full manual is available for immediate download.

<https://www.ebooklibonline.com>

Section: B0 - ENGINE

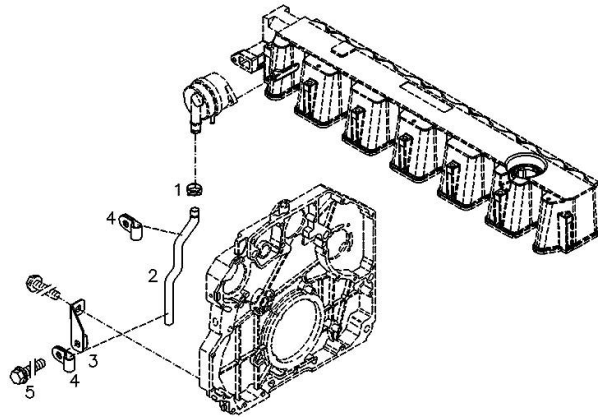
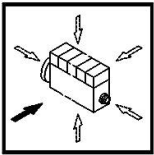
BLEEDING TUBE

Fig.	P/n	QTY	Name
------	-----	-----	------

Notes:

[XL 160 HI-LEVEL DCR]

1	01178750	1	clamp DIN 3021 -A-29X15
2	04290751	1	tube
3	04291288	1	bracket
4	01173523	2	fascia DIN 3016 -1-A1-25X20-W1-2
5	01181433	2	screw EN 1662 -F-M8X20-LG2,5-10.9-ZNAL-A



000 ©

0511 1548

Section: B0 - ENGINE

BLEEDING TUBE

Fig.	P/n	QTY	Name
------	-----	-----	------

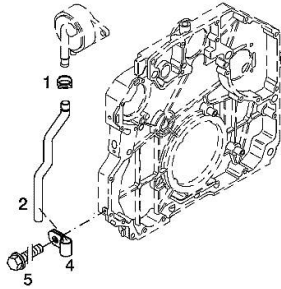
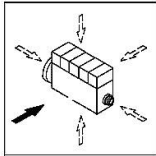
Notes:

[XL 160 HI-LEVEL DCR]

Engine serial number:

10720452 10736988 10754542 10754551

1	01178750	1	clamp DIN 3021 -A-29X15
2	04290751	1	tube
4	01173523	1	fascia DIN 3016 -1-A1-25X20-W1-2
5	01181433	1	screw EN 1662 -F-M8X20-LG2,5-10.9-ZNAL-A



Section: B0 - ENGINE

ACCESSORIES

Fig.	P/n	QTY	Name
------	-----	-----	------

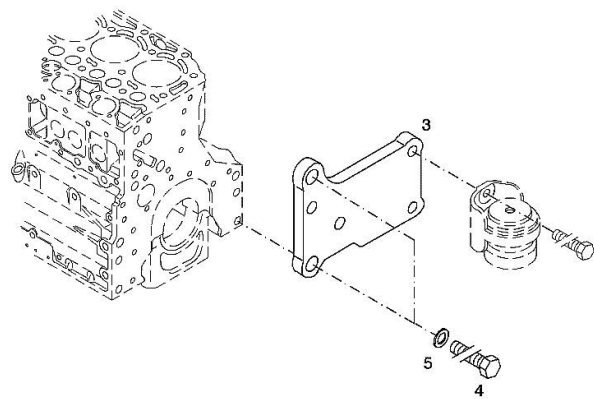
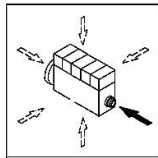
Notes:

[XL 160 HI-LEVEL DCR]

Engine serial number:

10720452 10736988 10754542 10754551

3	04288659	1	support
4	01148261	2	screw ISO 4017 -M16X40-10.9-ZNAL-A
5	01181400	2	washer H 2308 -18X25X1,5-A4C



Section: B0 - ENGINE

ACCESSORIES

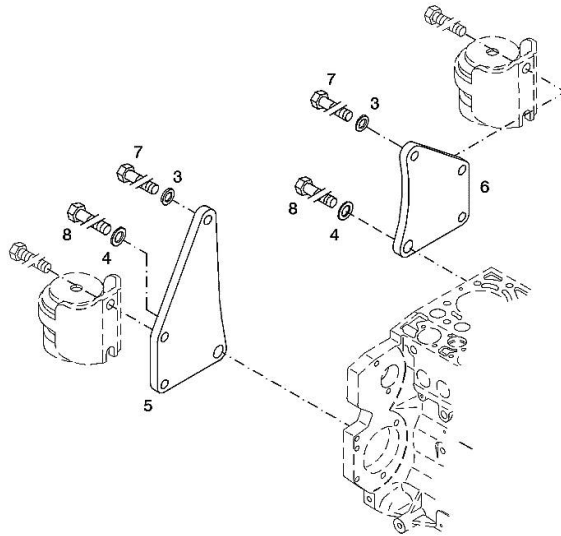
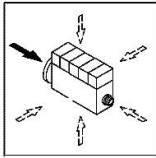
Fig.	P/n	QTY	Name
------	-----	-----	------

Notes:
[XL 160 HI-LEVEL DCR]

Engine serial number:
10720452 10736988 10754542 10754551

3	01182016	2	disc H 2308 -13X24X3-ZNAL-A
4	01181400	2	washer H 2308 -18X25X1,5-A4C
5	04206926	1	plate dx/rh/re
6	04206927	1	plate sx/lh/li
7	01148137	2	screw - UP TO MONTH OF ASSEMBLY (A) - FROM MONTH OF ASSEMBLY SEE POS. (B) A = 06.2009 B = POS. 950 DIN 931 -M12X75-10.9-ZNAL-A
8	01148037	2	screw UP TO MONTH OF ASSEMBLY (A) - FROM MONTH OF ASSEMBLY SEE POS. (B) A = 06.2009 B = POS. 951 ISO 4014 -M16X75-10.9-OELGESCHW
950	01149017	2	screw - FROM MONTH OF ASSEMBLY SEE POS. (B) - UP TO MONTH OF ASSEMBLY (A) FROM MONTH OF ASSEMBLY A = 07.2009 B = 7
951	01180235	2	screw - FROM MONTH OF ASSEMBLY SEE POS. (B) - UP TO MONTH OF ASSEMBLY (A) FROM MONTH OF ASSEMBLY A = 07.2009 B= Pos.8 DIN 34800 -BM12X75-10.9-ZNAL-A H 2032 -HBM16X75-10.9-GESCHW

003 ©



Section: B0 - ENGINE
CRANKCASE BREATHER

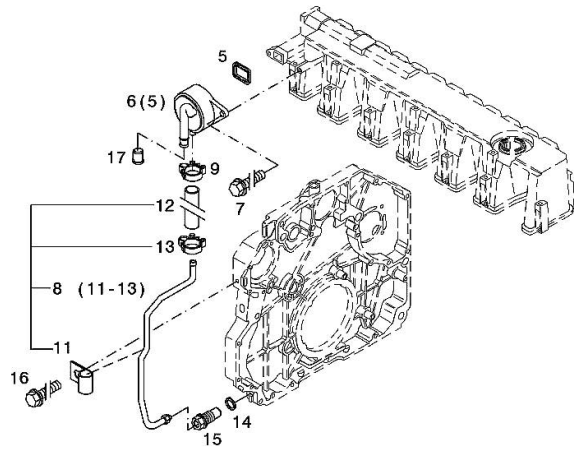
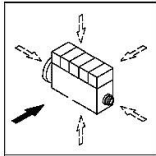
Fig.	P/n	QTY	Name
------	-----	-----	------

Notes:
 [XL 160 HI-LEVEL DCR]

Engine serial number:
 10720452 10736988 10754542 10754551

5	04298547	1	rubber plug
6	04905110	1	breather WITH POS.... (5)
7	01181432	2	screw m8x30 EN 1662 -F-M8X30-10.9-ZNAL-A
8	04504876	1	tube WITH POS.... 11-13
9	01182878	1	fascia H 3461 -F-13,0/8
11	02144961	1	fascia
12	04288507	1	rubber tube H 3407 -F8X14X57-EAM/ARAMID/EAM
13	01182878	1	fascia H 3461 -F-13,0/8
14	01118737	1	oil seal 22 x 27 DIN 7603 -A22X27-CU
15	04505853	1	pipe union
16	01181442	1	screw m6x12 EN 1662 -F-M6X12-10.9-ZNAL-A
17	01161302	1	bottom H 2873 -A25,5X22,8X17-PEWEICH

002 ©



Section: B0 - ENGINE

OIL FILLER NECK

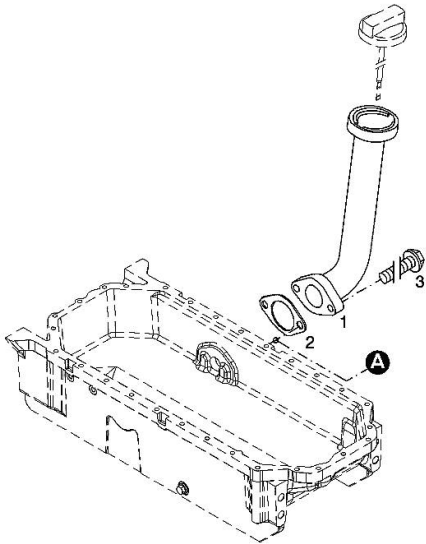
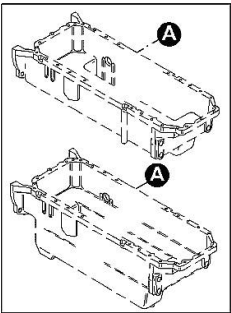
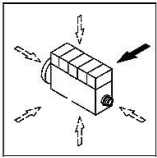
Fig.	P/n	QTY	Name
------	-----	-----	------

Notes:
[XL 160 HI-LEVEL DCR]

Engine serial number:
10720452 10736988 10754542 10754551

1	04207099	1	tube
2	01178421	1	gasket
3	01181433	2	screw
			30 Nm

001 ©



ACCESSORIES

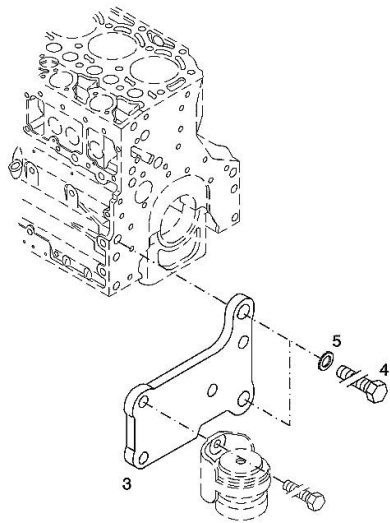
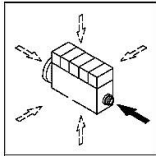
Fig.	P/n	QTY	Name
------	-----	-----	------

Notes:
[XL 160 HI-LEVEL DCR]

Engine serial number:
10720452 10736988 10754542 10754551

3	04288660	1	support
4	01148261	2	screw ISO 4017 -M16X40-10.9-ZNAL-A
5	01181400	2	washer H 2308 -18X25X1,5-A4C

003 ©



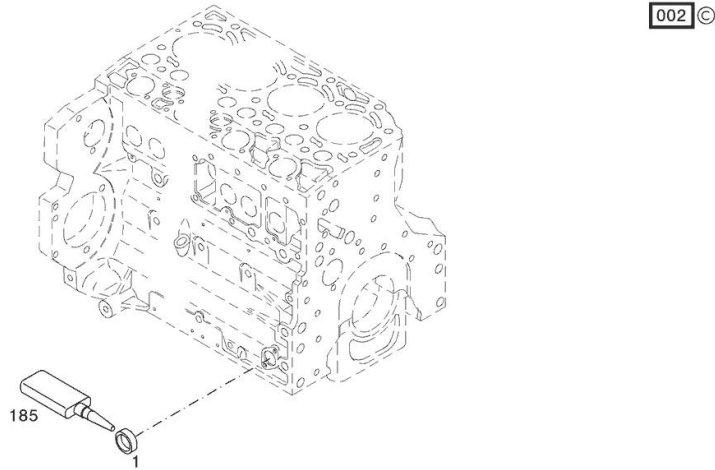
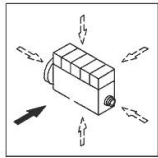
PLUG

Fig.	P/n	QTY	Name
------	-----	-----	------

Notes:

[XL 160 HI-LEVEL DCR]

1	01148031	1	plug DIN 443 -A36-ZNPHR
185	01319911	1	sealing compound ml. 50



Section: B0 - ENGINE

PISTON COOL.NOZZLE

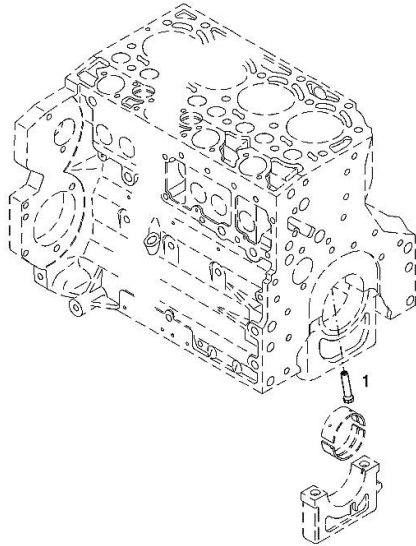
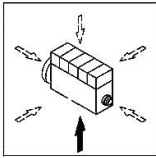
Fig.	P/n	QTY	Name
------	-----	-----	------

Notes:
[XL 160 HI-LEVEL DCR]

Engine serial number:
10720452 10736988 10754542 10754551

1	04207521	1	sprayers
---	----------	---	----------

001 ©

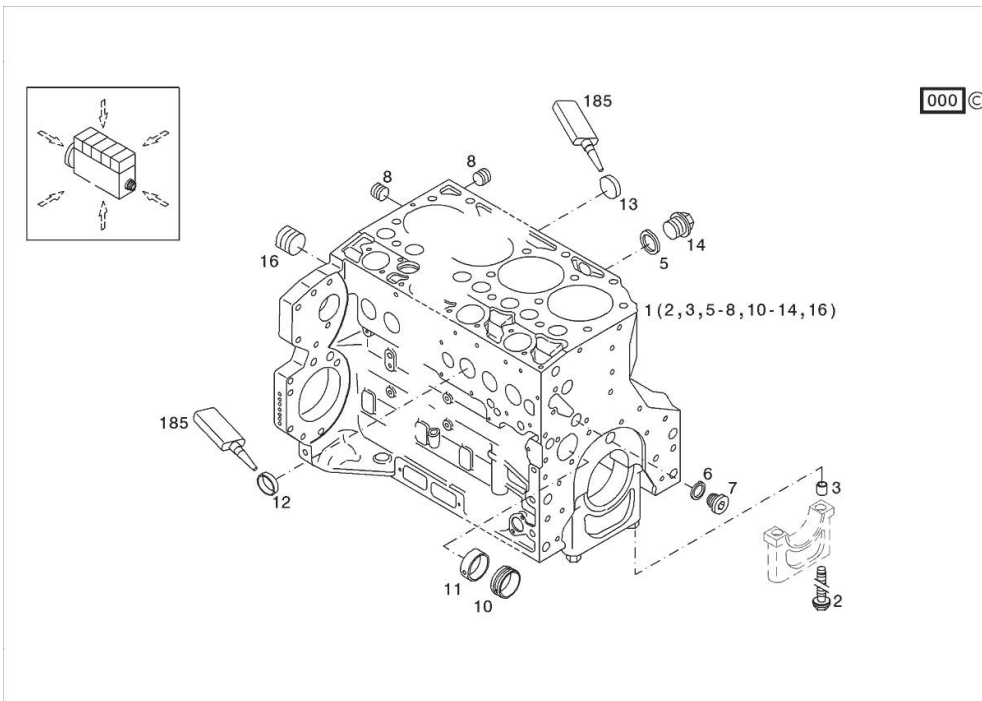


Section: B0 - ENGINE
KURBELGEHAEUSE

Fig.	P/n	QTY	Name
------	-----	-----	------

Notes:
 [XL 160 HI-LEVEL DCR]

Engine serial number:
 10720452 10736988 10754542 10754551



185	01319910	1	guard
1	04296586	1	crankcase kpl. MIT POS.... WITH ITEM.... (2,3,5-8,10-14,16)
2	04254240	14	screw 50 Nm , 90° , 90°
3	04160764	14	bushing
5	01118693	2	gasket 14x20 DIN 7603 -A14X20-CU
6	01101342	1	oil seal DIN 7603 -D22X27-CU
7	04292706	1	plug 80 Nm
8	01182031	2	screw 35 Nm H 2812 -906-M14X1,5-ST-A3C-LOCTITE506
10	04251884	6	plug
11	04250086	1	ring
12	01148032	9	cover DIN 443 -A45-ZNPHR
13	01148031	6	plug DIN 443 -A36-ZNPHR
14	01100940	2	screw 35 Nm DIN 7604 -AM14X1,5-ST-A4C
16	04226536	1	bottom 30 Nm



Suggest:

For more complete manuals. Please go to the home page.

<https://www.ebooklibonline.com>

If the above button click is invalid. Please download this document first, and then click the above link to download the complete manual.

Thank you so much for reading

FILLER CAP

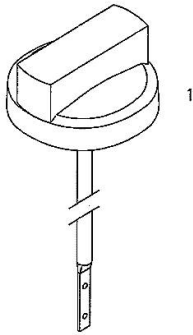
Fig.	P/n	QTY	Name
------	-----	-----	------

Notes:
[XL 160 HI-LEVEL DCR]

Engine serial number:
10720452 10736988 10754542 10754551

1	01180341	1	plug H 2875 -B2-OL40-166X4X145X15
---	----------	---	--------------------------------------

000



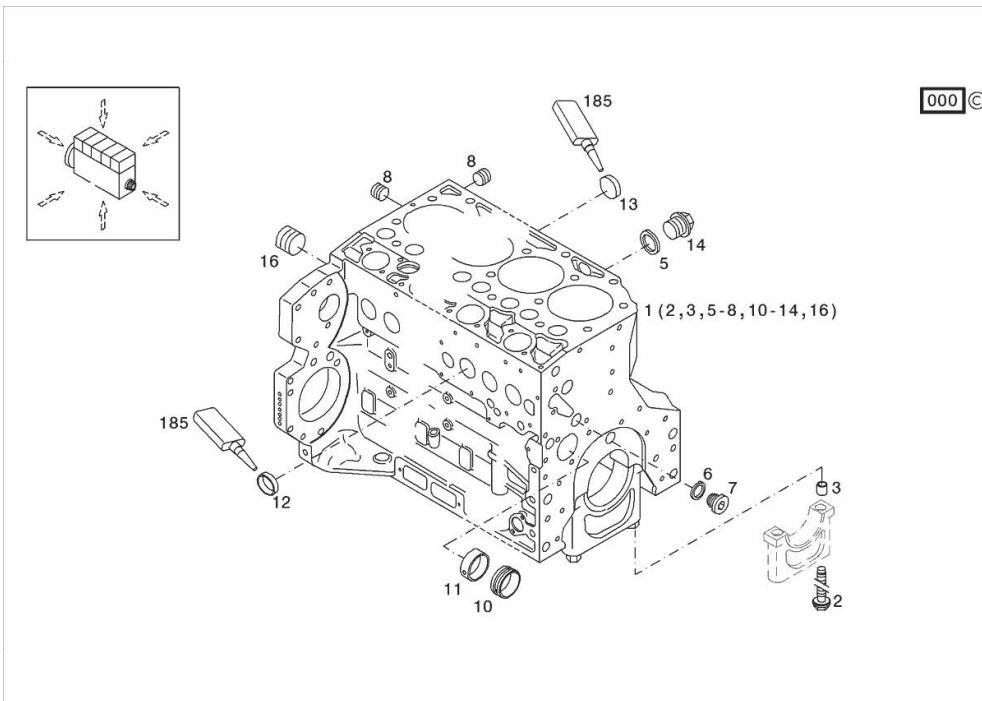
0507 1179

Section: B0 - ENGINE
KURBELGEHAEUSE

Fig.	P/n	QTY	Name
------	-----	-----	------

Notes:
 [XL 160 HI-LEVEL DCR]

185	01319910	1	guard
1	04506856	1	crankcase MIT POS.... (2,3,5-8,10-14,16)
2	04254240	14	screw 50 Nm , 90° , 90°
3	04160764	14	bushing
5	01118693	2	gasket 14x20 DIN 7603 -A14X20-CU
6	01101342	1	oil seal DIN 7603 -D22X27-CU
7	04292706	1	plug 80 Nm
8	01182031	2	screw 35 Nm H 2812 -906-M14X1,5-ST-A3C-LOCTITE506
10	04251884	6	plug
11	04250086	1	ring
12	01148032	9	cover DIN 443 -A45-ZNPHR
13	01148031	6	plug DIN 443 -A36-ZNPHR
14	01100940	2	screw 35 Nm DIN 7604 -AM14X1,5-ST-A4C
16	04226536	1	bottom 30 Nm



<https://www.ebooklibonline.com>

Hello dear friend!

Thank you very much for reading.

Enter the link into your browser.

The full manual is available for immediate download.

<https://www.ebooklibonline.com>