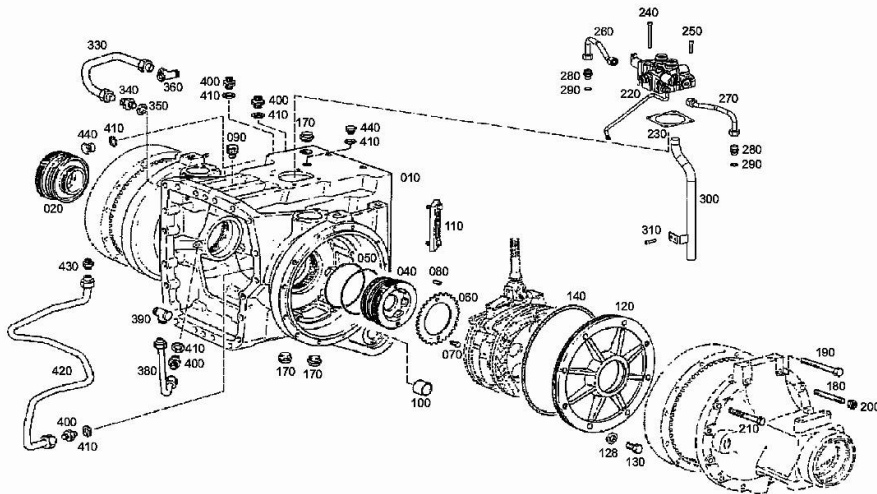


REAR GEARBOX CASE 2093 009 120

Fig.	P/n	QTY	Name
10	0.900.0001.7	1	gear box
20	04428944	1	register
40	04428945	1	register
50	0.900.0278.7	2	ring
60	04417449	2	plate
70	04435695	4	screw m 8 x 16
80	04435703	2	pin 5 x 20
90	04417453	1	plug
100	04417451	2	bushing
110	04419731	1	level indicator
120	0.900.1239.5	2	cover
128	0.900.0277.9	4	washer
130	0.900.0279.7	16	screw m 12 x 40
140	04428220	2	oil seal 305x4
170	0.010.3849.1	3	plug
180	0.900.0456.5	4	screw m 12x150
190	04423328	4	screw
200	0.900.0281.4	4	nut m 12
210	0.900.0469.3	16	screw m 12x140
220	0.900.0984.8	1	valve
230	0.900.0885.3	1	gasket
240	0.900.0882.4	2	screw m 8x95
250	0.900.0882.1	2	screw m 8 x 40
260	0.900.0954.0	1	gasket
270	0.900.0954.1	1	piping
280	0.900.0282.3	2	pipe union
290	0.900.0985.0	2	oil seal 18 x 24
300	0.900.0883.3	1	tube
310	04434509	2	screw m 8 x 30
330	0.010.2899.1	1	piping
340	0.900.0470.4	1	pipe union
350	01118737	1	oil seal 22 x 27
360	04435710	1	vent
380	04435711	1	tube
390	04417707	1	pipe fitting
400	04417466	4	pipe fitting
410	04423731	6	oil seal 14 x 18
420	0.010.2899.2	1	tube
430	04417705	1	vent
440	0.900.0281.0	2	plug m 14 p.1.5



REAR GEARBOX CASE 2093 009 120

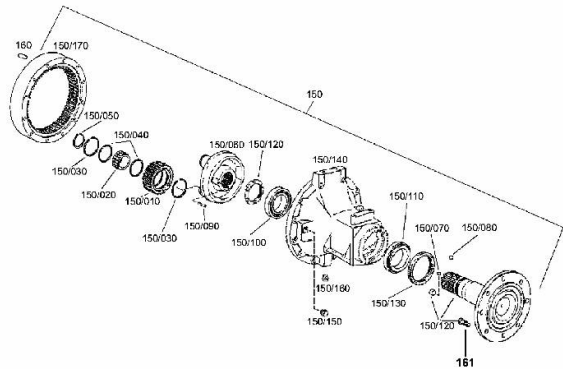
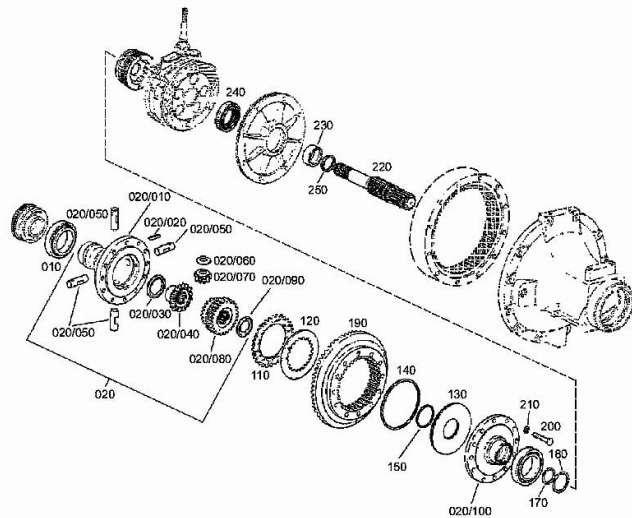


Fig.	P/n	QTY	Name
150	0.900.1359.0	2	counter shaft
150.10	0.900.1364.0	3	planet gear
150.20	0.900.0282.8	3	roller bearing
150.30	0.900.0278.1	6	circlip
150.40	0.900.0282.6	6	slewing ring 72x80.8x1
150.50	0.010.2888.1	3	circlip 55 x 2.0
150.60	0.900.0954.9	1	spider
150.70	0.010.3588.2	1	grub screw m 10x16
150.80	04417322	1	ball
150.90	0.900.0278.3	1	roll pin 8x90
150.100	0.010.3581.0	1	roller bearing
150.110	0.900.0953.8	1	roller bearing
150.120	0.900.0953.9	1	shaft
150.130	0.010.3642.2	1	ring
150.140	0.900.0955.0	1	axle
150.150	0.900.0001.8	2	plug
150.160	0.010.3849.0	1	plug
150.170	0.900.1363.9	1	crown wheel
160	0.900.0278.2	2	pin 12 x 24
161	0.010.3703.2	8	screw m 22

DIFFERENTIAL 2093 009 120

Fig.	P/n	QTY	Name
10	0.010.3580.1	2	roller bearing
20	0.900.1385.4	1	flange
20.10	0.010.2889.1	1	differential carrier
20.20	0.010.2888.2	4	pin 8 x 50
20.30	0.900.0498.2	1	slewing ring
20.40	0.010.2942.2	1	crown wheel
20.50	0.010.2890.1	4	pin
20.60	0.010.3845.2	4	slewing ring
20.70	0.010.3846.0	4	planet gear
20.80	0.010.2891.1	1	crown wheel Z = 18
20.90	0.900.0124.3	1	slewing ring
20.100	04417604	1	box
110	0.900.1226.8	6	disc Z = 46
120	0.900.1377.2	5	disc Z = 41
130	0.010.3846.1	1	piston
140	0.900.0451.5	1	oil seal
150	0.900.0268.5	1	oil seal 69 x 3
170	0.900.0800.7	1	ring 55 x 2.5
180	0.900.0800.8	1	ring 70 x 3.0
190	04423724	1	crown wheel z = 63
200	0.010.3729.2	12	screw m 12 x 80
210	0.900.0277.9	12	washer
220	0.010.2889.0	2	shaft Z = 16
230	04417315	2	bushing
240	04417316	2	oil seal
250	0.900.0278.9	2	ring 54 x 2.5



<https://www.ebooklibonline.com>

Hello dear friend!

Thank you very much for reading.

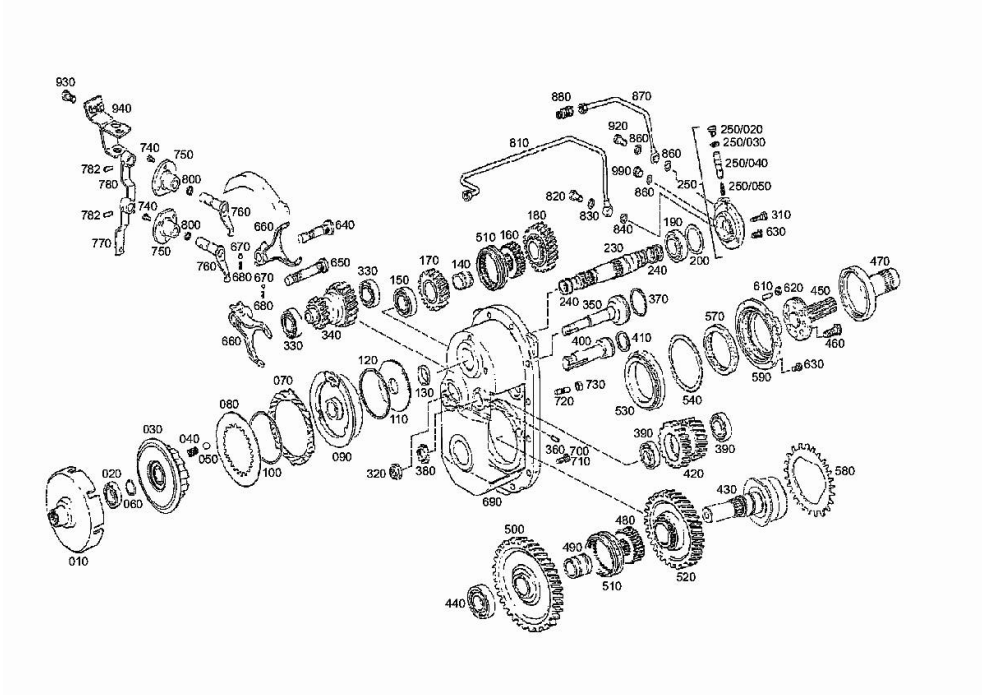
Enter the link into your browser.

The full manual is available for immediate download.

<https://www.ebooklibonline.com>

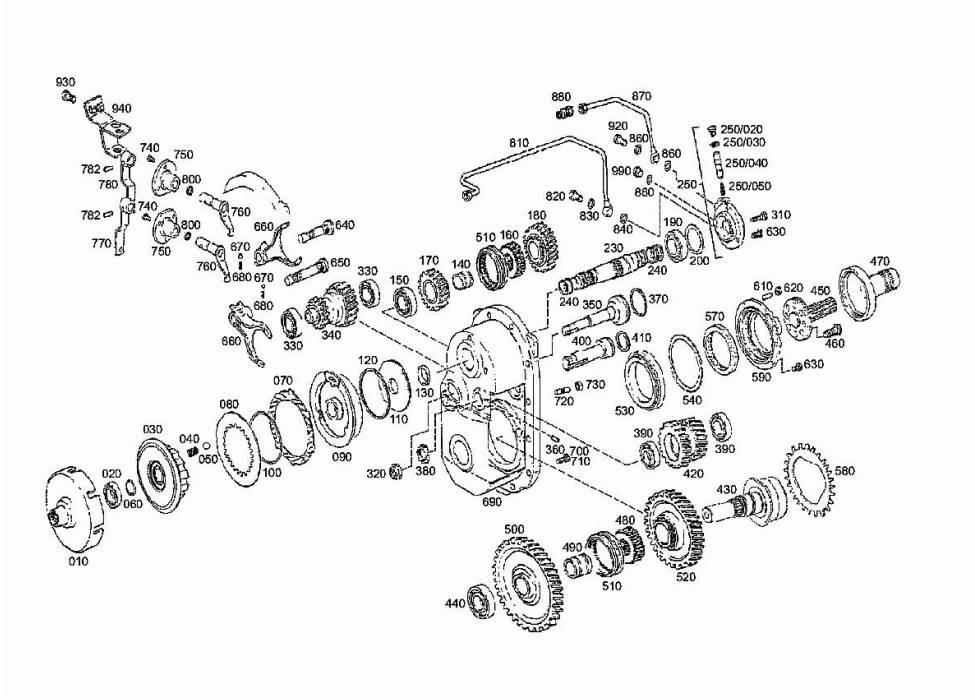
P.T.O. - POWER TAKE OFF 2093 009 120

Fig.	P/n	QTY	Name
10	0.900.0124.5	1	clutch housing Z = 46
20	0.900.0469.0	1	ball bearing
30	0.900.0802.8	1	adapter
40	04417631	8	spring
50	04417632	8	ball
60	0.900.0467.7	1	circlip 34x2.5
70	0.900.1377.3	5	disc Z = 46
80	0.900.1226.7	5	disc
90	0.900.1363.0	1	cylinder
100	0.900.1431.4	5	spring
110	0.900.0123.4	1	piston
120	0.900.0056.8	1	oil seal 112x3
130	04417638	1	shoulder ring
140	04417639	1	special bushing
150	0.900.1385.1	1	bearing
160	04417680	1	support
170	0.900.0885.4	1	gear
180	04436292	1	gear Z = 35
190	0.900.1385.0	1	bearing
200	0.900.1380.1	1	washer
200	04417360	1	shim s = 0.10
200	04417361	1	shim s = 0.15
200	04417362	1	shim s = 0.40
230	0.900.1363.1	1	shaft
240	04423359	5	ring
250	0.900.1235.6	1	cover
250.20	0.010.2906.0	1	plug m 16 p.1.5
250.30	04436331	1	oil seal 16 x 20
250.40	0.900.1386.4	1	piston
250.50	0.900.1384.9	1	spring
310	0.900.0280.0	1	screw m 8 x 45
320	0.900.0124.8	1	ring nut
330	04431639	2	bearing
340	0.900.0451.9	1	gear z=19 z=30
350	04417652	1	pin
360	04433234	2	roll pin 6x20
370	0.900.0468.3	1	oil seal 57x2
380	04424372	1	ring nut
390	04431639	2	bearing
400	04417656	1	pin
410	0.900.0468.6	1	oil seal 40x3
420	0.900.0885.5	1	gear
430	0.900.0802.5	1	shaft Z = 18
440	0.900.1385.0	1	bearing



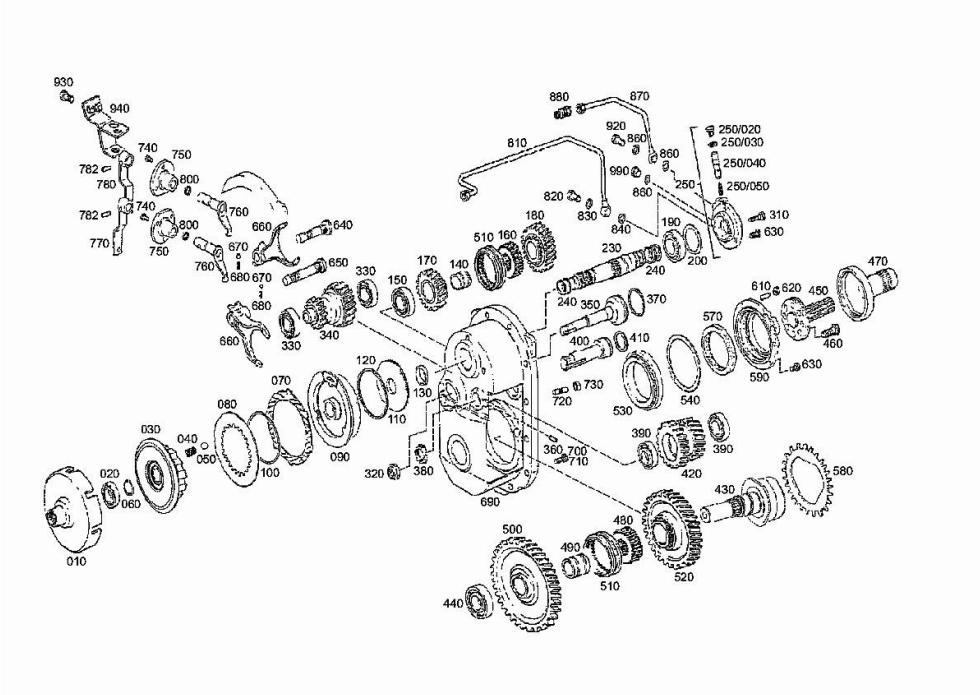
P.T.O. - POWER TAKE OFF 2093 009 120

Fig.	P/n	QTY	Name
450	04417388	1	shaft
460	0.010.3293.0	8	screw m 12 x 50
470	04417440	1	guard
480	04417680	1	support
490	04417681	1	special bushing
500	0.900.0884.4	1	gear z=66
510	04431727	2	sleeve
520	0.900.0877.3	1	gear z=56
530	0.900.0282.9	1	roller bearing
540	0.900.1380.2	1	shim
540	04417391	1	shim s = 0.10
540	04417392	1	shim s = 0.15
540	04417393	1	shim s = 0.40
570	04417395	1	oil seal 94x118x12
580	0.900.1432.0	1	gear
590	04417438	1	cover
610	0.900.0281.3	4	stud bolt m 8 x 35
620	0.900.0281.5	4	nut m 8
630	04434498	4	screw m 8 x 25
640	0.900.1432.6	1	rod
650	0.900.1432.7	1	rod
652	0.900.1377.9	1	adhesive
660	0.010.3848.1	2	fork
670	04415909	2	ball
680	04417378	2	spring
690	04423799	1	box
700	0.010.2893.2	1	screw m 10 x 40
710	0.900.0307.8	9	screw m10x35
720	0.900.0281.2	2	stud bolt m 10 x 45
730	0.010.3358.0	2	nut m 10
740	04435695	6	screw m 8 x 16
750	04417692	2	bearing
760	04417693	2	pin
770	0.900.0122.9	1	lever
780	04413418	1	lever
782	0.010.2894.1	2	pin 8 x 30
800	0.900.0278.8	2	oil seal
810	0.010.2894.2	1	piping
820	04427560	1	pipe union
830	04436331	1	oil seal 16 x 20
840	0.010.2895.0	1	gasket 14x20
860	04423731	3	oil seal 14 x 18
870	0.900.1363.2	1	tube
880	04417466	1	pipe fitting



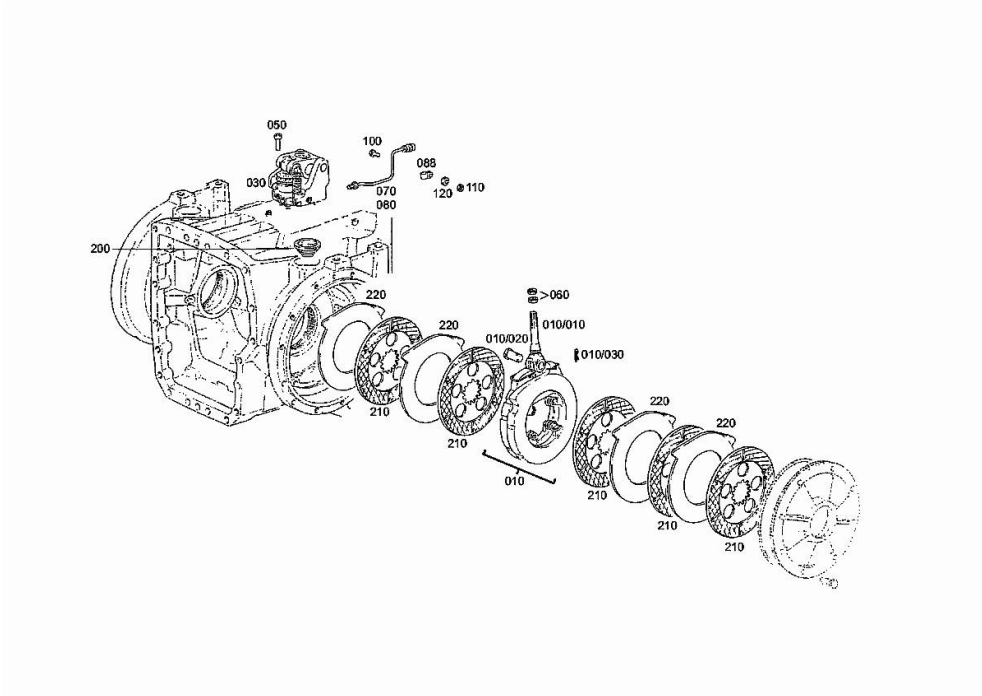
P.T.O. - POWER TAKE OFF 2093 009 120

Fig.	P/n	QTY	Name
920	0.900.0282.1	1	pipe union
930	04434498	2	screw m 8 x 25
940	04439216	1	bracket
990	0.900.0280.7	1	stop



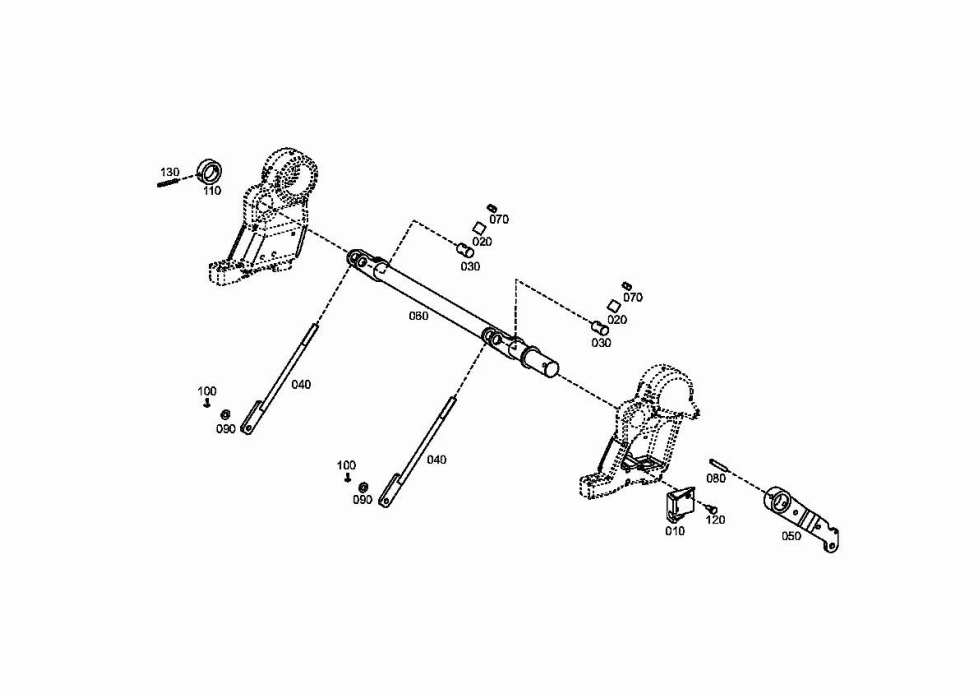
SERVICE BRAKES 2093 009 120

Fig.	P/n	QTY	Name
10	0.900.0800.4	2	transmission brake
10.10	04428551	1	rod
10.20	04435740	1	pin
10.30	04435741	1	split pin
30	0.900.0800.5	2	operation
50	0.900.0469.7	6	screw m 10 x 40
60	04434557	4	nut m 14 p.1.5
70	04428545	1	tube sx/lh/li
80	04428546	1	piping dx/rh/re
88	0.900.0468.2	2	clamp 6x12
100	0.900.0280.1	2	screw m 5 x 25
110	0.900.0470.2	2	nut m 5
120	0.900.0281.6	2	nut
200	0.900.0800.9	2	rubber bushing
210	0.900.0801.2	10	disc
220	0.900.0801.3	8	disc



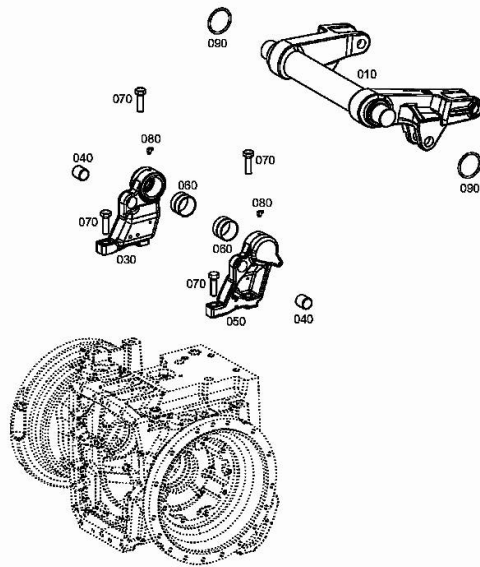
BRAKE CONTROLS 2093 009 120

Fig.	P/n	QTY	Name
10	0.900.1239.7	1	bracket
20	0.900.1239.8	2	tube
30	0.900.1239.9	2	pin
40	0.900.1240.0	2	rod
50	0.900.1240.1	1	lever
60	0.900.1240.2	1	shaft
70	0.900.0281.9	2	nut m 12
80	0.010.3459.1	1	roll pin
90	0.900.0466.9	2	washer
100	0.900.0468.1	2	split pin 3.2x18
110	0.900.1240.3	1	spacer
120	0.900.0469.4	3	screw m 8 p.1.25 x 20
130	0.010.2901.1	1	pin 6x50



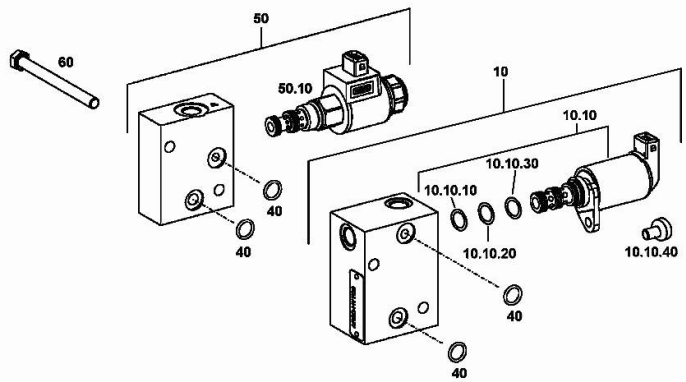
LIFTING 2093 009 120

Fig.	P/n	QTY	Name
10	0.900.0883.4	1	shaft
30	0.900.1407.9	1	bearing block dx/rh/re
40	0.900.1431.3	2	bearing
50	0.900.1408.0	1	bearing block sx/lh/li
60	04417549	2	special bushing
70	0.900.0469.1	4	screw m 20x65
80	04427636	2	grease gun m 8 p.1 x 8
90	04417552	2	ring 78.5x6



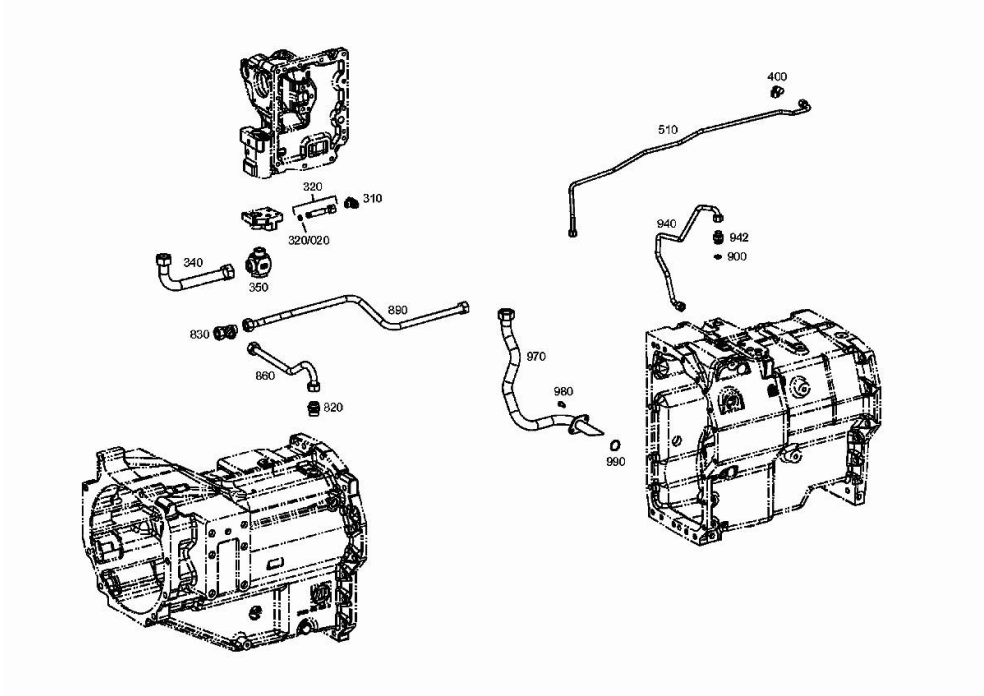
DRIVE FOR GEAR CHANGE BOX 2093 009 120

Fig.	P/n	QTY	Name
10	0.900.0952.1	1	control
10.10	0.900.0952.8	1	solenoid valve DV
10.10.10	0.900.1377.5	1	gasket 12,4 x 1,78
10.10.20	0.900.1377.6	1	gasket 13 x 1.5
10.10.30	0.900.1377.7	1	gasket 14x1.78
10.10.40	0.900.1377.8	1	screw m 8 x 16
40	0.900.0801.4	4	ring 11,3 x 2,4 NBR-70-10
50	0.900.1363.3	1	small block
50.10	0.900.1384.6	1	solenoid valve
60	0.900.1363.4	2	screw



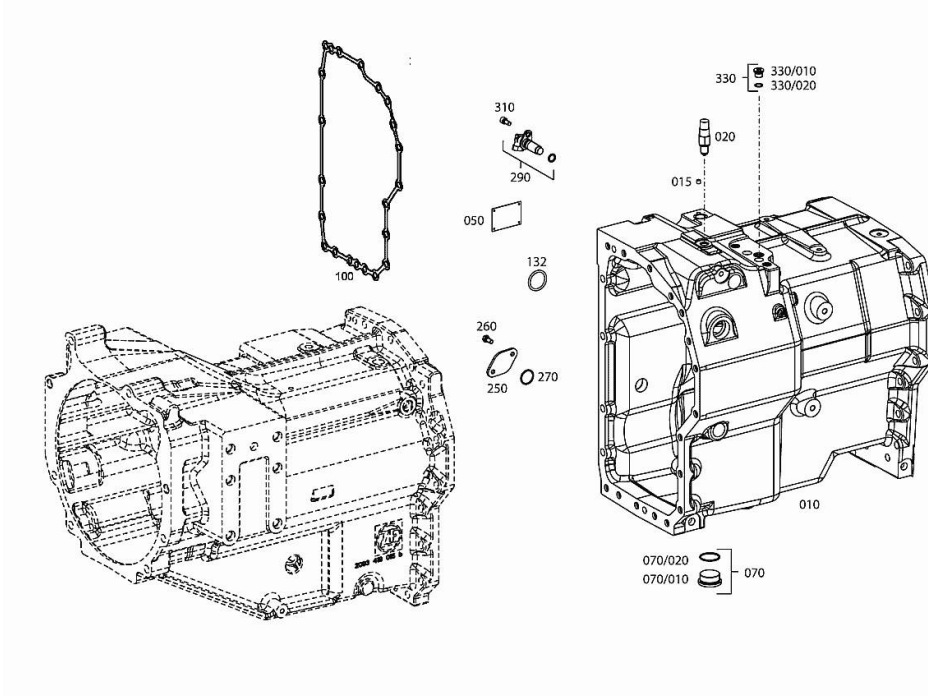
Section: D0 - TRANSMISSION
OIL SUPPLY 2093 009 120

Fig.	P/n	QTY	Name
310	0.900.1362.6	1	straight union
320	0.010.2877.1	1	tube
320.20	04415958	1	oil seal 10x2.5
340	0.010.3264.1	1	pipng
350	0.010.3842.1	1	threaded joint
400	0.010.2877.2	1	pipe fitting EEL 10
510	0.010.3101.2	1	tube
820	0.010.2878.2	1	pipe fitting
830	0.010.2879.0	1	pipe fitting
860	0.010.2880.0	1	tube
890	0.900.0487.7	1	tube
900	04438451	1	small mesh
940	0.900.0954.2	1	tube
942	0.010.3805.0	1	vent
970	0.900.1462.2	1	tube kpl.
980	04434497	2	screw m 8 x 18
990	0.010.3257.2	1	gasket 28x2.5



GEARBOX 2093 009 100

Fig.	P/n	QTY	Name
10	0.900.0487.9	1	gear box (...) <-
10	0.900.0954.7	1	gear box -> (...)
15	0.900.0952.5	1	plug
20	04416066	1	switch
50	04415260	1	plate
70	04435197	1	plug
70.10	04438472	1	plug m 42 p.1.5
70.20	02315144	1	oil seal 38x2.5
100	04415679	1	gasket (...) <-
132	0.010.2845.2	1	oil seal 38x4
250	0.010.3257.1	1	flange
260	04434497	2	screw m 8 x 18
270	0.010.3257.2	1	gasket 28x2.5
290	04438450	1	speed sensor L = 53,0mm
290.10	04417747	1	oil seal 15.54x2.62
310	0.010.2875.0	1	screw m 8 x 18
330	04435199	1	screw
330.10	04436330	1	screw m 16 p.1.5
330.20	02315162	1	oil seal 13x2



Section: D0 - TRANSMISSION
LAYSHAFT 2093 009 100

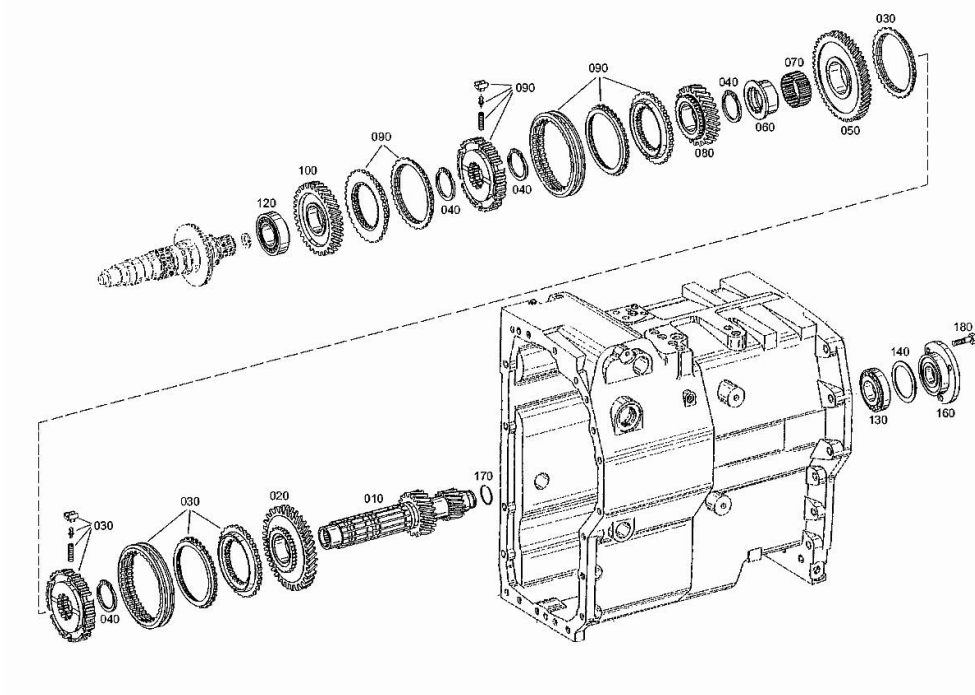


Fig.	P/n	QTY	Name
10	04435202	1	shaft
20	0.900.1380.7	1	gear Z = 47 -> (...)
20	04427597	1	wheel z=47 (...) <-
30	0.900.0881.6	1	lock synchronizer
40	04415687	4	circlip
50	0.900.0954.8	1	gear (...) <-
50	0.900.1380.8	1	gear Z = 58 -> (...)
60	0.900.1379.6	1	bush
60	04417177	1	bush L = 32.3
60	04417178	1	bush L = 32.4
60	04417179	1	bush L = 32.5
60	04417180	1	bush L = 32.6
60	04417181	1	bush L = 32.7
60	04417182	1	bush L = 32.8
70	0.010.2849.1	1	roller cage
80	0.900.1380.6	1	gear -> (...)
80	04415690	1	gear z = 30/3G (...) <-
90	0.900.0881.7	1	lock synchronizer
100	0.900.0071.0	1	gear
120	0.010.3759.0	1	roller bearing -> (...)
120	04427599	1	roller bearing (...) <-
130	04416363	1	roller bearing
140	0.900.1378.1	1	shim
140	02965988	1	shim mm 2.40
140	04334537	1	shim mm 2.60
140	04334538	1	shim mm 2.55
140	04334539	1	shim mm 2.50
140	04334540	1	shim mm 2.45
140	04334541	1	shim mm 2.35
140	04334542	1	shim mm 2.30
140	04334543	1	shim mm 2.25
140	04334544	1	shim mm 2.20
140	04334545	1	shim mm 2.15
140	04334546	1	shim mm 2.10
140	04334547	1	shim mm 2.05
140	04334548	1	shim mm 2.00



Suggest:

For more complete manuals. Please go to the home page.

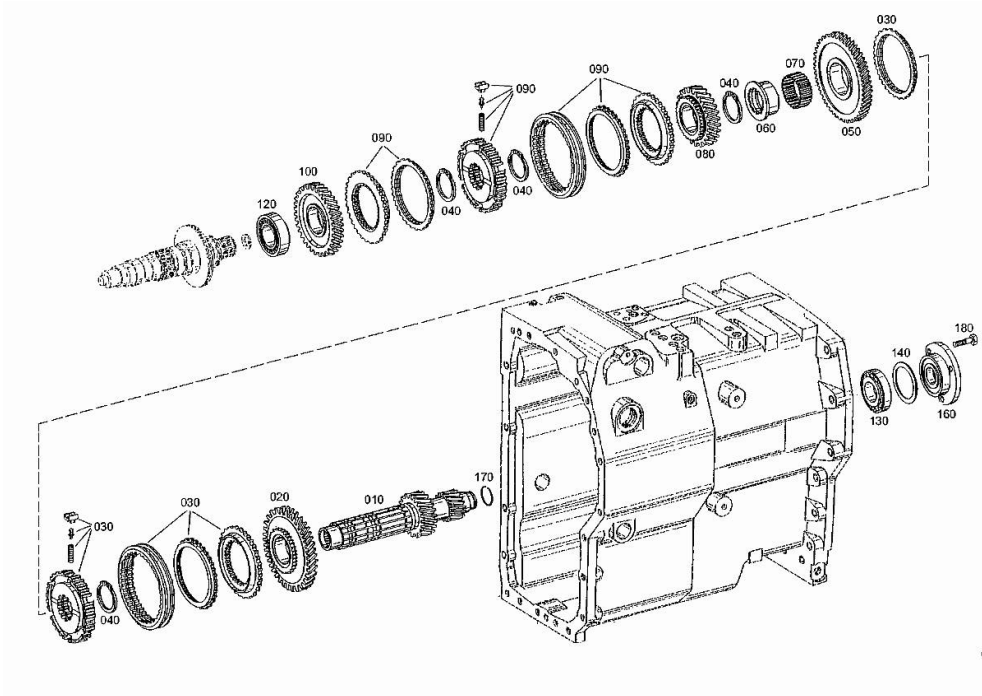
<https://www.ebooklibonline.com>

If the above button click is invalid. Please download this document first, and then click the above link to download the complete manual.

Thank you so much for reading

LAYSHAFT 2093 009 100

Fig.	P/n	QTY	Name
140	04334549	1	shim mm 1.95
140	04334550	1	shim mm 1.90
140	04334551	1	shim mm 1.85
140	04334552	1	shim mm 1.80
140	04334553	1	shim mm 1.75
140	04334554	1	shim mm 1.70
140	04433184	1	shim mm 1.65
140	04433185	1	shim mm 1.60
140	04436332	1	shim mm 1.725
140	04436333	1	shim mm 1.775
140	04436334	1	shim mm 1.875
140	04436335	1	shim mm 1.925
140	04436336	1	shim mm 1.975
160	04415760	1	cover
170	04415761	1	ring 35x2
180	0.010.2616.1	3	screw m 10x32



Section: D0 - TRANSMISSION
MAIN SHAFT 2093 009 100

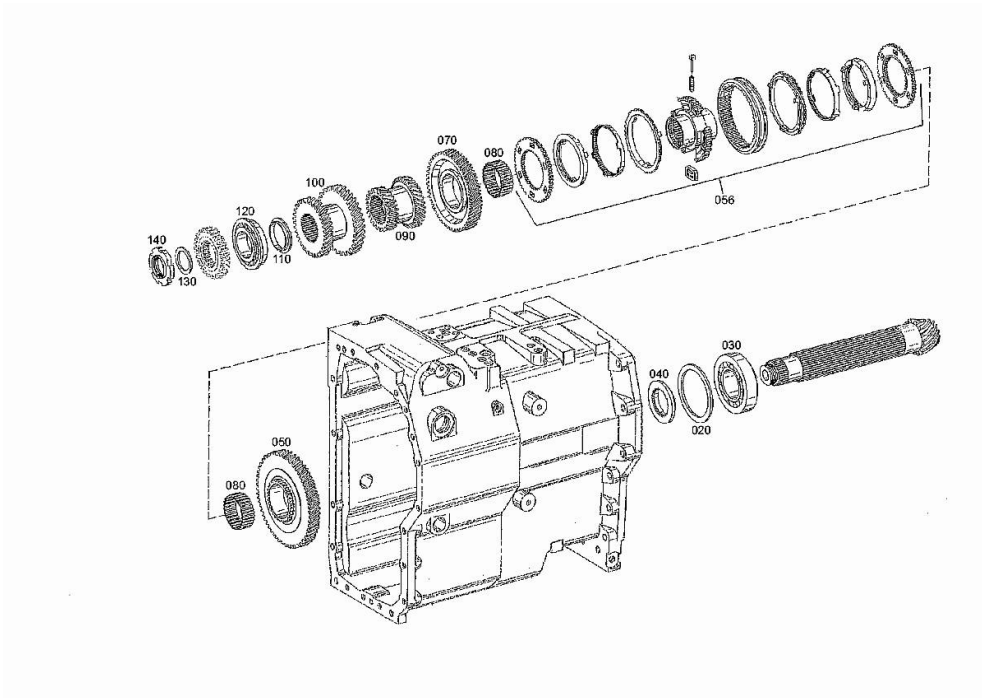


Fig.	P/n	QTY	Name
20	0.010.2849.2	1	shim s = 3.75
20	0.010.2850.0	1	shim s = 3.70
20	0.010.2850.1	1	shim s = 3.65
20	0.010.2850.2	1	shim s = 3.60
20	0.010.2851.0	1	shim s = 3.55
20	0.010.2851.1	1	shim s = 3.50
20	0.010.2851.2	1	shim s = 3.45
20	0.010.2852.0	1	shim s = 3.40
20	0.010.2852.1	1	shim s = 3.76
20	0.010.2852.2	1	shim s = 3.77
20	0.010.2853.0	1	shim s = 3.78
20	0.010.2853.1	1	shim s = 3.79
20	0.010.2853.2	1	shim s = 3.81
20	0.010.2854.0	1	shim s = 3.82
20	0.010.2854.1	1	shim s = 3.83
20	0.010.2854.2	1	shim s = 3.84
20	0.010.2855.0	1	shim S = 3.86
20	0.010.2855.1	1	shim s = 3.87
20	0.010.2855.2	1	shim s = 3.88
20	0.010.2856.0	1	shim s = 3.89
20	0.010.2856.1	1	shim s = 3.91
20	0.010.2856.2	1	shim s = 3.92
20	0.010.2857.0	1	shim s = 3.93
20	0.010.2857.1	1	shim s = 3.94
20	0.900.1378.6	1	shim
20	04417170	1	shim s = 3.95
20	04417171	1	shim s = 3.9
20	04417172	1	shim s = 3.85
20	04417173	1	shim s = 3.8
20	04417174	1	shim s = 4.0
20	04417175	1	shim s = 4.05
20	04417176	1	shim s = 4.10
30	04416073	1	roller bearing
40	04416074	1	shim
50	0.900.1381.1	1	gear Z = 75 -> (...)
50	04423721	1	gear V2=Y (...) <-
56	0.010.3840.2	1	lock synchronizer
70	0.900.1380.9	1	gear z = 57 -> (...)
70	04427568	1	gear V2=Y (...) <-
80	04427570	2	roller cage

<https://www.ebooklibonline.com>

Hello dear friend!

Thank you very much for reading.

Enter the link into your browser.

The full manual is available for immediate download.

<https://www.ebooklibonline.com>