

Section: B0 - ENGINE

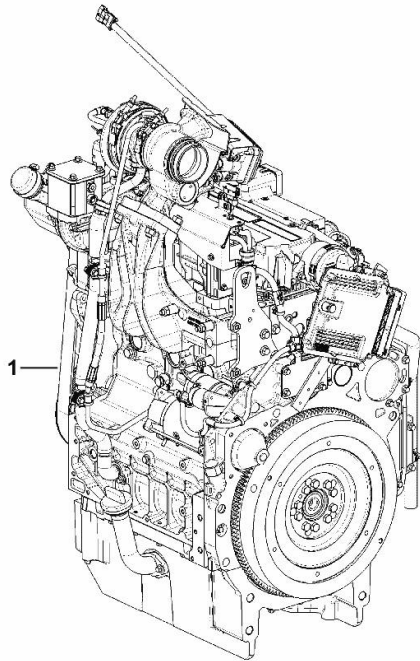
ENGINE

Fig.	P/n	QTY	Name
------	-----	-----	------

Notes:

[XL 150.4 T4I HI-LEVEL]

1	25009838	1	engine ON ORDERING PLEASE ENGINE NO. REQUIRED
---	----------	---	---



K9_K4919_01_0-A-001

Section: B0 - ENGINE

FASTENINGS

Fig.	P/n	QTY	Name
------	-----	-----	------

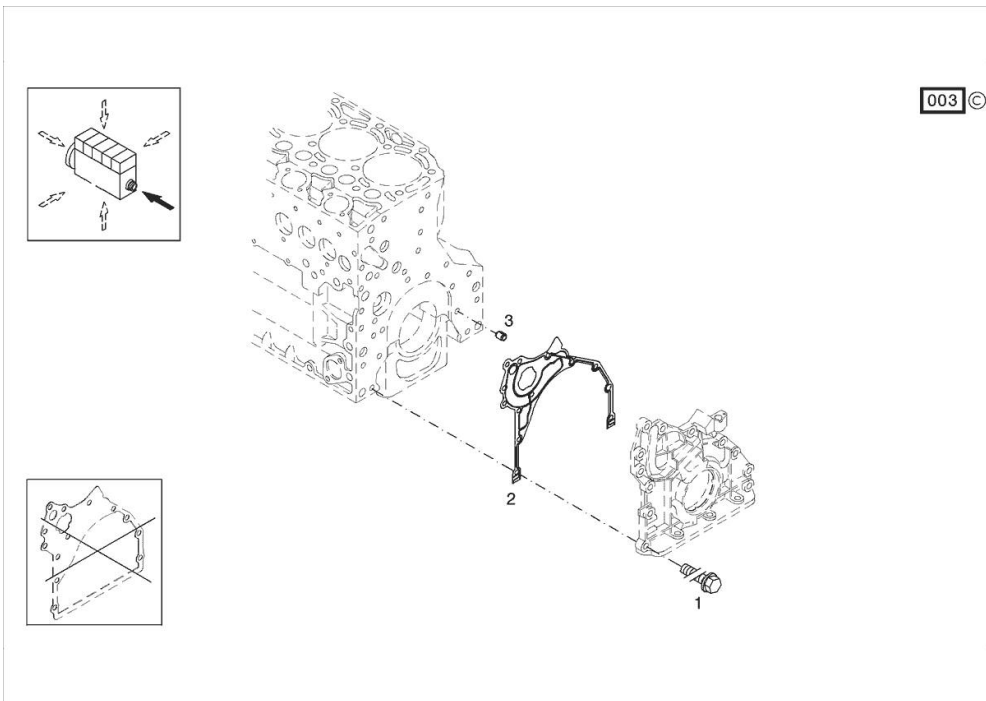
Notes:

[XL 150.4 T4I HI-LEVEL]

Engine serial number:

22000507 22000508 22000573

1	01183645	12	screw EN 1662 -F-M8X35-10.9-ZNAL-A
2	04504325	1	gasket
3	01181406	1	bushing H 2341 -B11X8-FE/ZN12C*



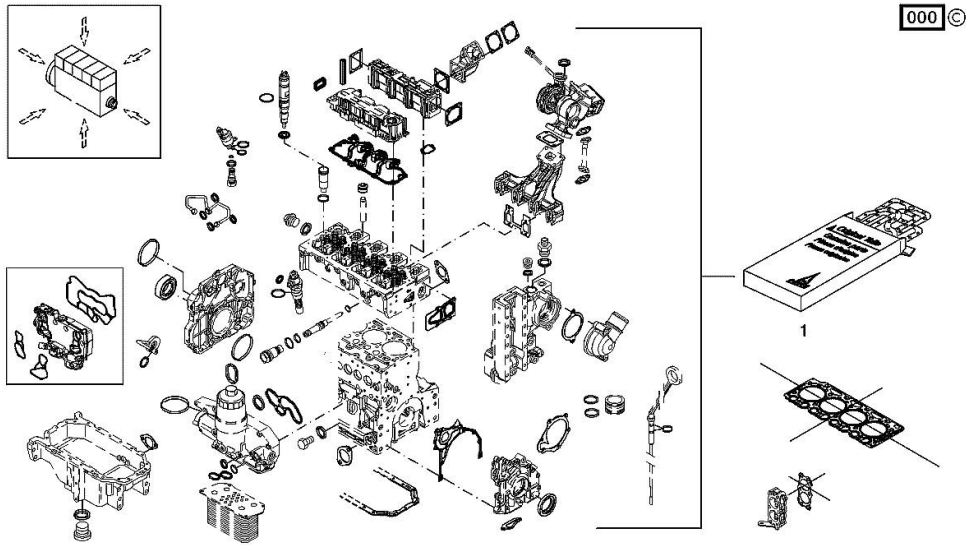
Section: B0 - ENGINE
SERIE GUARNIZIONI

Fig.	P/n	QTY	Name
------	-----	-----	------

Notes:
 [XL 150.4 T4I HI-LEVEL]

Engine serial number:
 22000507 22000508 22000573

1	02937845	1	gasket set Il kit guarnizioni non contiene Il kit guarnizioni non contiene Il kit guarnizioni non contiene guarnizione, vedi SIT 0199-90-0403 Il kit guarnizioni non contiene Il kit guarnizioni non contiene Il kit guarnizioni non contiene Il kit guarnizioni non cont
---	----------	---	--



<https://www.ebooklibonline.com>

Hello dear friend!

Thank you very much for reading.

Enter the link into your browser.

The full manual is available for immediate download.

<https://www.ebooklibonline.com>

Section: B0 - ENGINE

BLEEDING TUBE

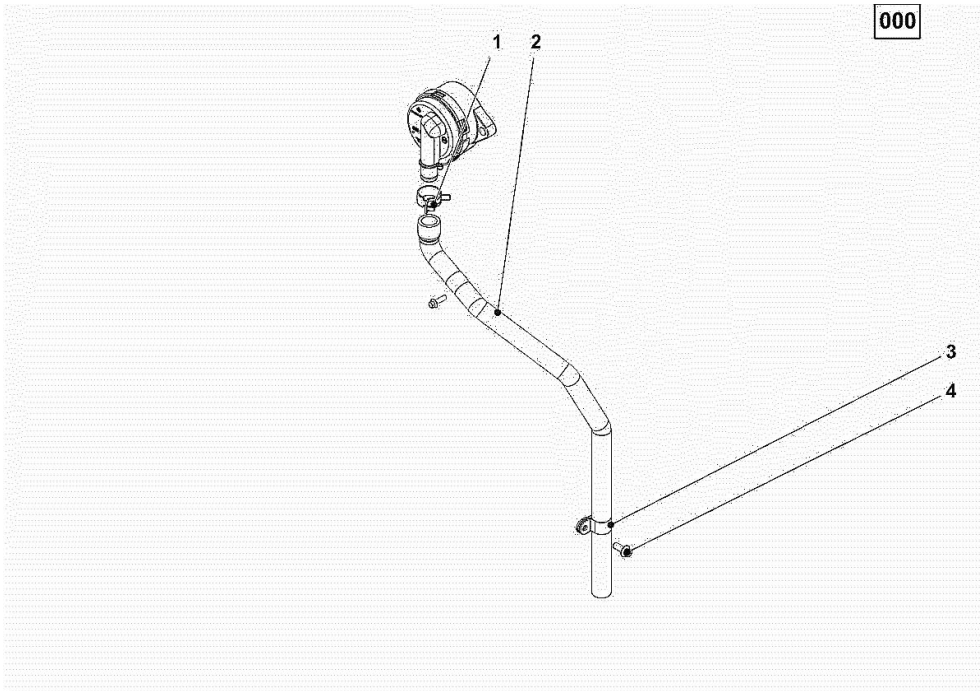
Fig.	P/n	QTY	Name
------	-----	-----	------

Notes:

[XL 150.4 T4I HI-LEVEL]

Engine serial number:

22000507 22000508 22000573



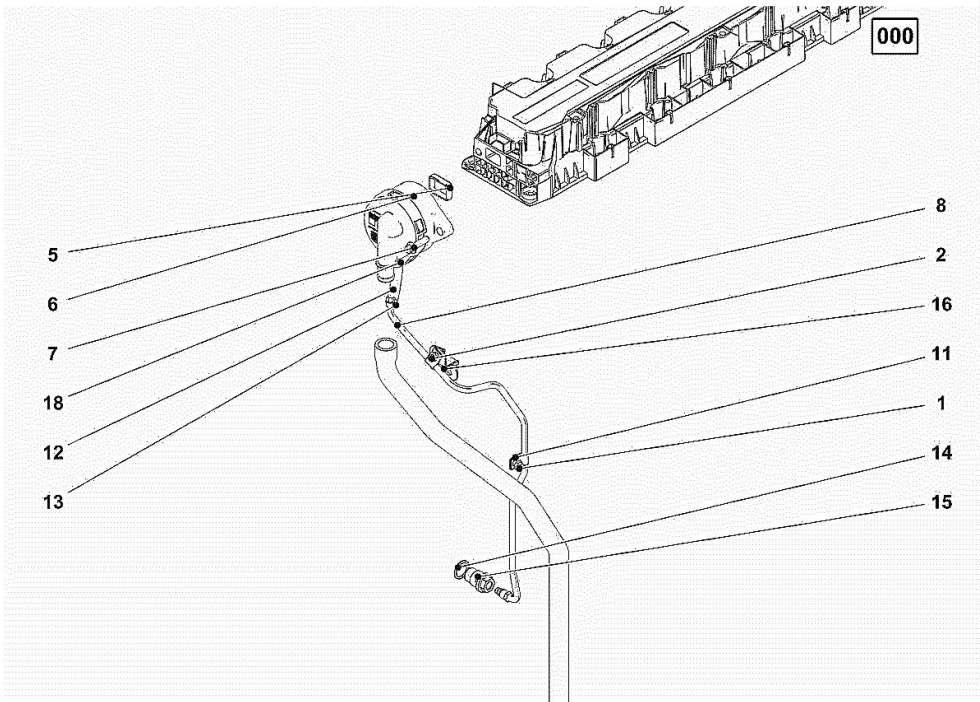
1	01178750	1	clamp DIN 3021 -A-29X15
2	04504657	1	tube
3	01173523	2	fascia DIN 3016 -1-A1-25X20-W1-2
4	01181433	1	screw 20 Nm EN 1662 -F-M8X20-LG2,5-10.9-ZNAL-A

Section: B0 - ENGINE
CRANKCASE BREATHER

Fig.	P/n	QTY	Name
------	-----	-----	------

Notes:
 [XL 150.4 T4I HI-LEVEL]

Engine serial number:
 22000507 22000508 22000573



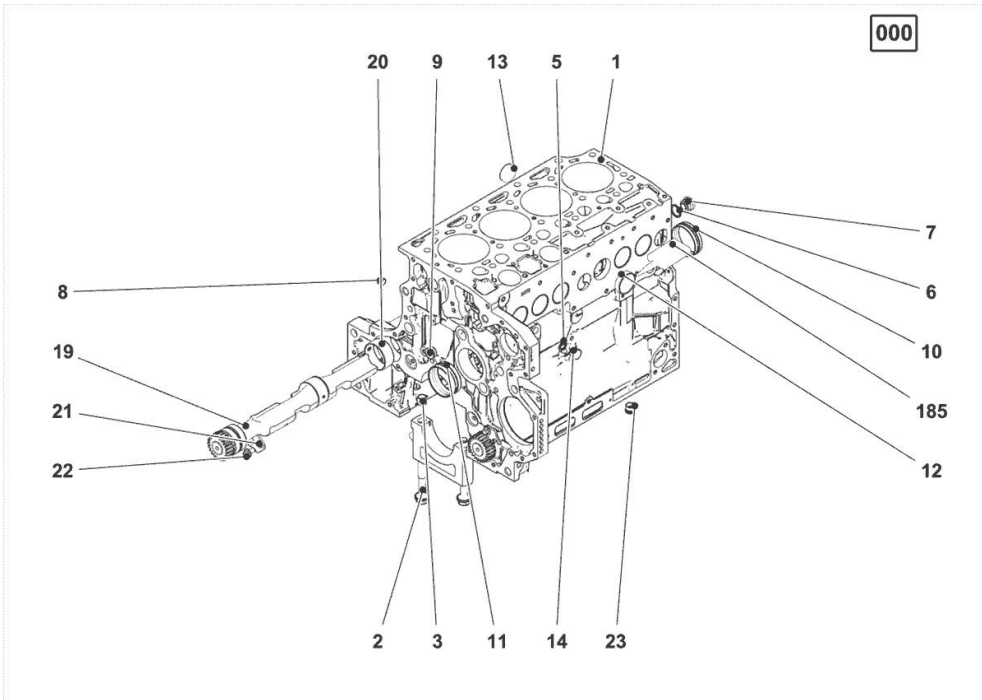
1	01181442	1	screw m6x12 13 Nm EN 1662 -F-M6X12-10.9-ZNAL-A
2	01181433	1	screw 13 Nm EN 1662 -F-M8X20-LG2,5-10.9-ZNAL-A
5	04298547	1	rubber plug
6	04905110	1	breather WITH POS.... (5)
7	01181432	2	screw m8x30 21 Nm EN 1662 -F-M8X30-10.9-ZNAL-A
8	04504866	1	tube WITH POS.... 11-13 20 Nm
11	02144961	2	fascia
12	04291246	1	rubber tube H 3407 -F8X14X72-EAM/ARAMID/EAM
13	01182878	1	fascia H 3461 -F-13,0/8
14	01118737	1	oil seal 22 x 27 DIN 7603 -A22X27-CU
15	04505853	1	pipe union 80 Nm
16	04504828	1	support
18	01182878	1	fascia H 3461 -F-13,0/8

Section: B0 - ENGINE
KURBELGEHAEUSE

Fig.	P/n	QTY	Name
------	-----	-----	------

Notes:
 [XL 150.4 T4I HI-LEVEL]

Engine serial number:
 22000507 22000508 22000573



185	01319910	1	guard
1	04513899	1	crankcase MIT POS.... (2,3,5-14,19-24)
2	04254240	10	screw 50 Nm , 90° , 90°
3	04160764	10	bushing
5	01148836	2	oil seal DIN 7603 -D14X20-CU-VERZINNT
6	01148863	1	rubber plug DIN 7603 -D22X27-CU-VERZINNT
7	04292706	1	plug 80 Nm
8	01182031	2	screw 35 Nm H 2812 -906-M14X1,5-ST-A3C-LOCTITE506
9	04226536	1	bottom
10	04507244	4	bushing
11	04507765	1	bushing
12	01148032	6	cover DIN 443 -A45-ZNPHR
13	01148031	4	plug DIN 443 -A36-ZNPHR
14	01100940	2	screw 35 Nm DIN 7604 -AM14X1,5-ST-A4C
19	04298246	2	shaft
20	04252834	4	bush
21	04251810	2	plug
22	01181672	2	nut 29 Nm H 2091 -4017-M8X16-10.9-GESCHW-MK-1.0
23	04255998	1	ring
24	04291215	1	tube

Section: B0 - ENGINE

ACCESSORIES

Fig.	P/n	QTY	Name
------	-----	-----	------

Notes:

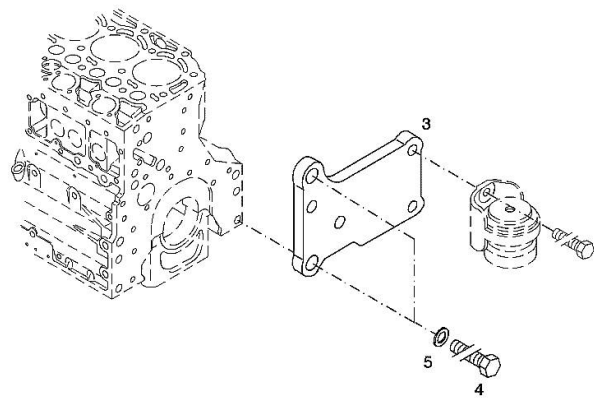
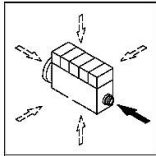
[XL 150.4 T4I HI-LEVEL]

Engine serial number:

22000507 22000508 22000573

3	04288659	1	support
4	01148261	2	screw ISO 4017 -M16X40-10.9-ZNAL-A
5	01181400	2	washer H 2308 -18X25X1,5-A4C

006 ©



Section: B0 - ENGINE

ACCESSORIES

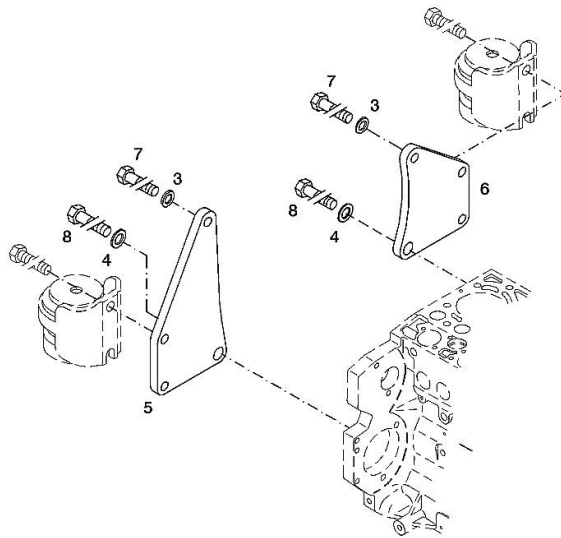
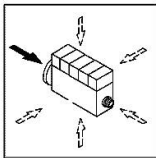
Fig.	P/n	QTY	Name
------	-----	-----	------

Notes:
[XL 150.4 T4I HI-LEVEL]

Engine serial number:
22000507 22000508 22000573

3	01182016	2	disc H 2308 -13X24X3-ZNAL-A
4	01181400	2	washer H 2308 -18X25X1,5-A4C
5	04206926	1	plate dx/rh/re
6	04206927	1	plate sx/lh/li
7	01148137	2	screw - UP TO MONTH OF ASSEMBLY (A) - FROM MONTH OF ASSEMBLY SEE POS. (B) A = 06.2009 B = POS. 950 DIN 931 -M12X75-10.9-ZNAL-A
8	01148037	2	screw UP TO MONTH OF ASSEMBLY (A) - FROM MONTH OF ASSEMBLY SEE POS. (B) A = 06.2009 B = POS. 951 ISO 4014 -M16X75-10.9-OELGESCHW
950	01149017	2	screw - FROM MONTH OF ASSEMBLY SEE POS. (B) - UP TO MONTH OF ASSEMBLY (A) FROM MONTH OF ASSEMBLY A = 07.2009 B = 7
951	01180235	2	screw - FROM MONTH OF ASSEMBLY SEE POS. (B) - UP TO MONTH OF ASSEMBLY (A) FROM MONTH OF ASSEMBLY A = 07.2009 B= Pos.8 DIN 34800 -BM12X75-10.9-ZNAL-A H 2032 -HBM16X75-10.9-GESCHW

003 ©



Section: B0 - ENGINE

ACCESSORIES

Fig.	P/n	QTY	Name
------	-----	-----	------

Notes:

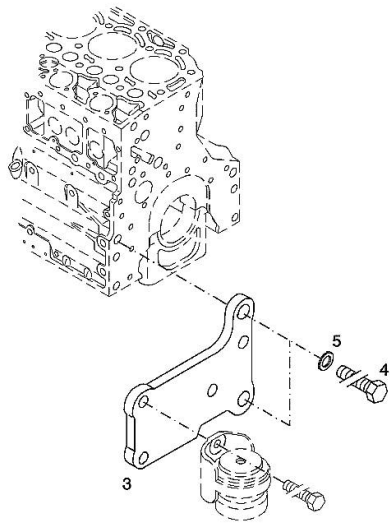
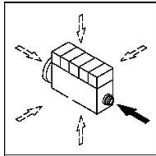
[XL 150.4 T4I HI-LEVEL]

Engine serial number:

22000507 22000508 22000573

3	04288660	1	support
4	01148261	2	screw ISO 4017 -M16X40-10.9-ZNAL-A
5	01181400	2	washer H 2308 -18X25X1,5-A4C

003 ©



Section: B0 - ENGINE
OIL FILLER NECK

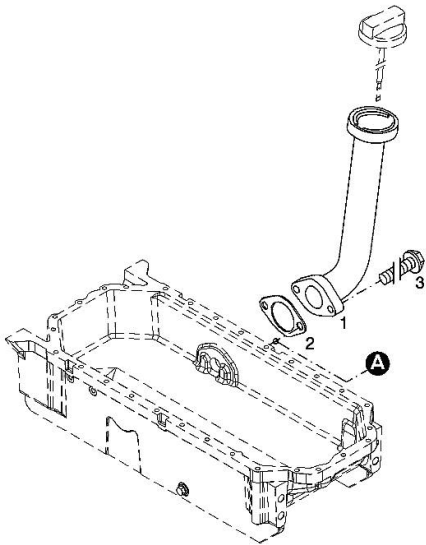
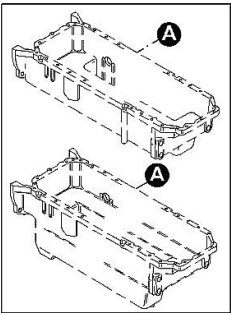
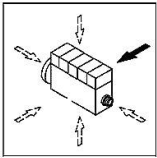
Fig.	P/n	QTY	Name
------	-----	-----	------

Notes:
 [XL 150.4 T4I HI-LEVEL]

Engine serial number:
 22000507 22000508 22000573

1	04207099	1	tube
2	01178421	1	gasket
3	01181433	2	screw
			30 Nm

001 ©



Section: B0 - ENGINE

FILLER CAP

Fig.	P/n	QTY	Name
------	-----	-----	------

Notes:

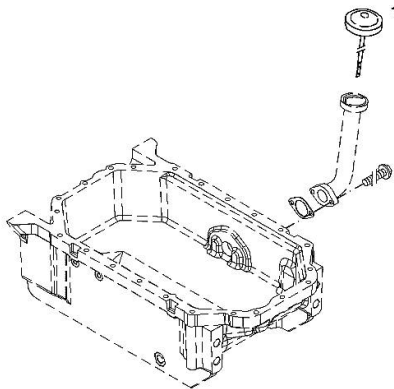
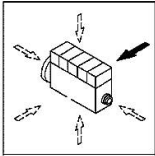
[XL 150.4 T4I HI-LEVEL]

Engine serial number:

22000507 22000508 22000573

1	01183278	1	plug H 2875 -B2-OL40-166X4-122X15
---	----------	---	--------------------------------------

000 ©



Section: B0 - ENGINE

PISTON COOL.NOZZLE

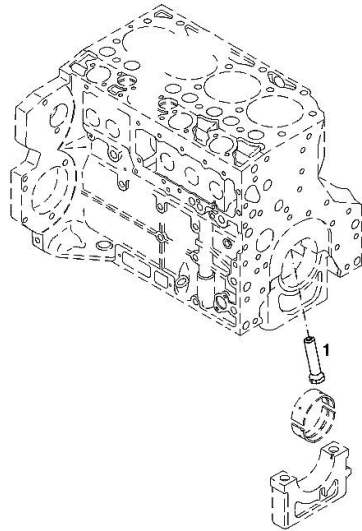
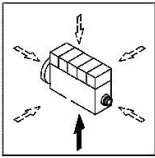
Fig.	P/n	QTY	Name
------	-----	-----	------

Notes:
[XL 150.4 T4I HI-LEVEL]

Engine serial number:
22000507 22000508 22000573

1	04207521	4	sprayers
---	----------	---	----------

001 ©



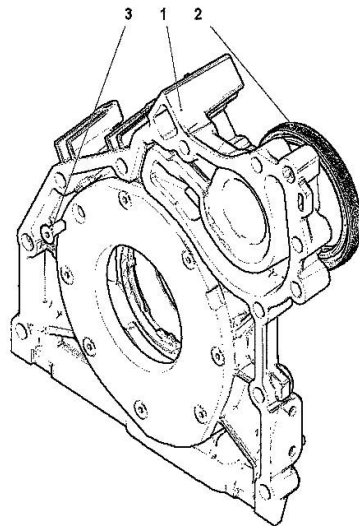
FLANGE

Fig.	P/n	QTY	Name
------	-----	-----	------

Notes:
 [XL 150.4 T4I HI-LEVEL]

Engine serial number:
 22000507 22000508 22000573

1	04502446	1	oil pump WITH POS.... (2,3)
2	04502202	1	special oil seal
3	01133718	8	screw 8.5 Nm DIN 7991 -M6X16-8.8-A4C



Section: B0 - ENGINE

COVER

Fig.	P/n	QTY	Name
------	-----	-----	------

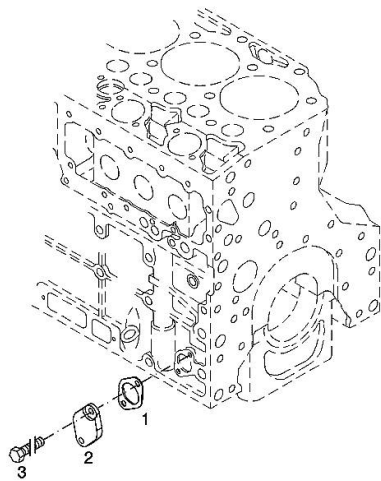
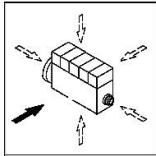
Notes:

[XL 150.4 T4I HI-LEVEL]

Engine serial number:

22000507 22000508 22000573

1	01178421	1	gasket DIN 71511 -35X58X1,5-DEUTZFW31
2	04299461	1	flange
3	01148135	2	screw 30 Nm ISO 4017 -M8X20-10.9-ZNAL-A



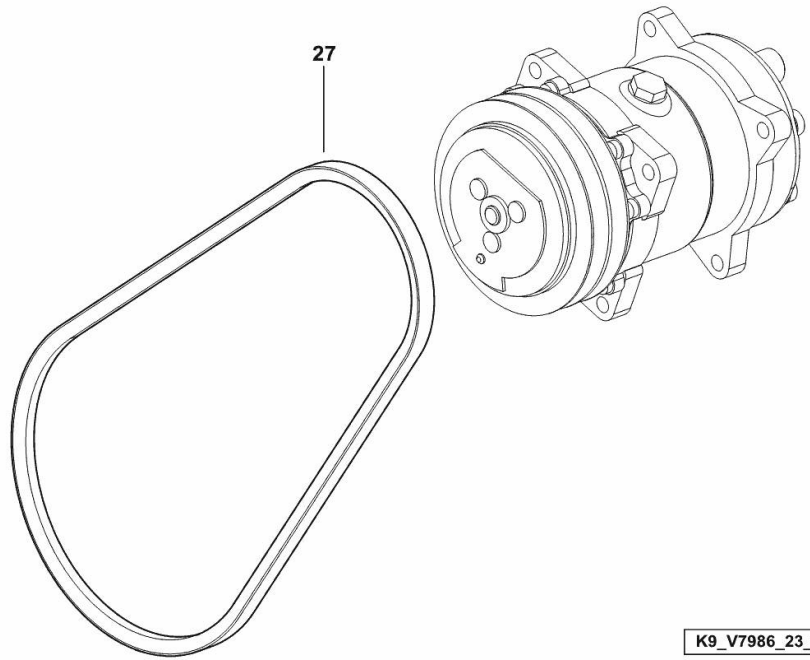
V-BELT - FOR TRACTORS WITH AIR CONDITIONING

Fig.	P/n	QTY	Name
------	-----	-----	------

Notes:

[XL 150.4 T4I HI-LEVEL]

27	2.4119.182.0	1	belt AV 13x1050 mm
----	--------------	---	--------------------



K9_V7986_23_0-B-001



Suggest:

For more complete manuals. Please go to the home page.

<https://www.ebooklibonline.com>

If the above button click is invalid. Please download this document first, and then click the above link to download the complete manual.

Thank you so much for reading

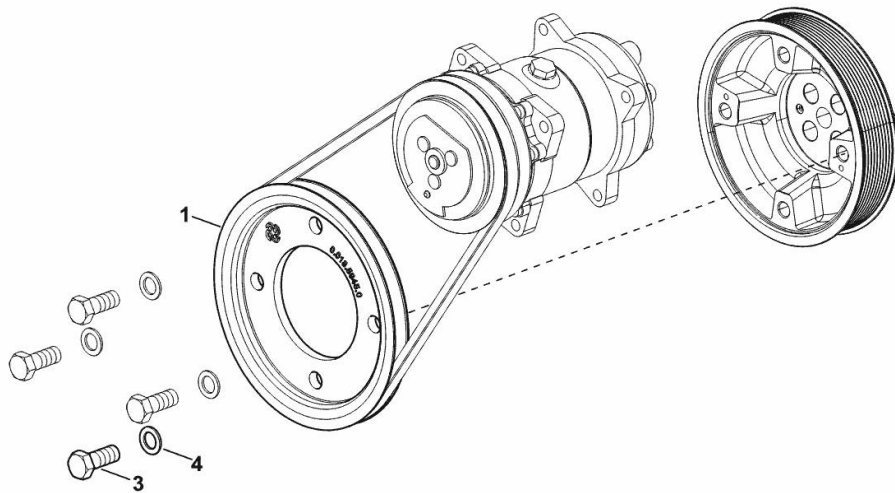
V-GROOVED PULLEY

Fig.	P/n	QTY	Name
------	-----	-----	------

Notes:

[XL 150.4 T4I HI-LEVEL]

1	0.018.5845.0	1	pulley
3	2.0112.513.2	4	screw m 14 p.2 x 35
4	2.1470.008.2	4	lock washer 14



K9_K5019_01_0-A-001

FASTENINGS

Fig.	P/n	QTY	Name
------	-----	-----	------

Notes:

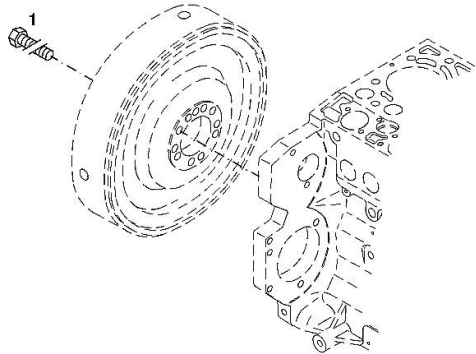
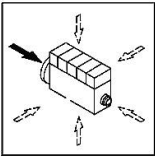
[XL 150.4 T4I HI-LEVEL]

Engine serial number:

22000507 22000508 22000573

1	04204128	10	screw m 10 p.1x35 M10X1X35
---	----------	----	-------------------------------

001 ©



<https://www.ebooklibonline.com>

Hello dear friend!

Thank you very much for reading.

Enter the link into your browser.

The full manual is available for immediate download.

<https://www.ebooklibonline.com>