

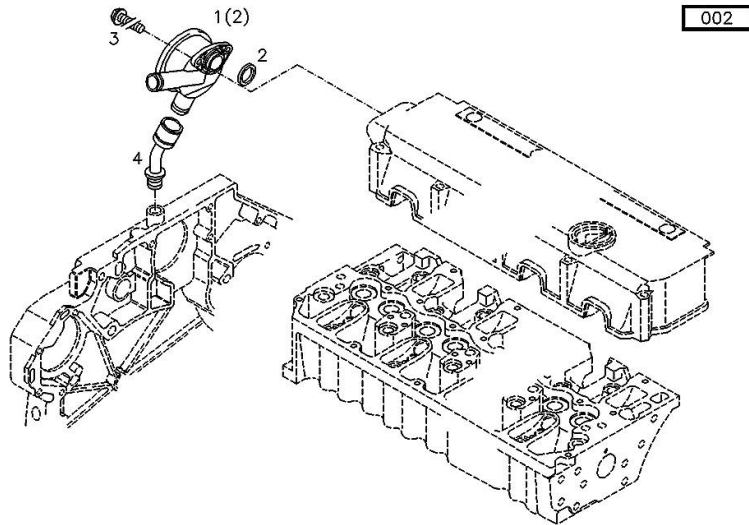
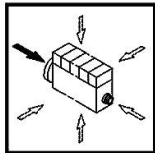
**CRANKCASE BREATHER**

Fig.	P/n	QTY	Name
------	-----	-----	------

Notes:  
[XL150]

**Engine serial number:**

10093362 10126137 10246202 10257736 10257745 10257750 10257758 10257760 10281547 10293661 10293675  
10293683 10293685 10293688 10294924 10538555 10538575 10538691 10598074 10598075 10602823 10695393  
10695394 10729979 10729980 10739809



1	04203321	1	valve WITH POS.... (2)
2	04206233	1	gasket
3	01148431	2	screw - FROM THE MONTH OF ASSEMBLY SEE POS. ( B ) - UP TO THE MONTH OF ASSEMBLY ( A ) FROM THE MONTH OF ASSEMBLY A = 09.1995 B = POS. 950 ISO 4762 -M6X20-8.8-ZNAL-A
4	04207290	1	pipng
5	01124654	2	washer 6,4 d433 ISO 7092 -6-140HV-A4C*
950	01181965	2	screw - UP TO MONTH OF ASSEMBLY ( A ) - FROM MONTH OF ASSEMBLY SEE POS. ( B ) A = 08.1995 B = POS. 3 EN 1662 -F-M6X20-10.9-ZNAL-A

**ACCESSORIES**

Fig.	P/n	QTY	Name
------	-----	-----	------

Notes:  
[XL150]

**Engine serial number:**

10093362 10126137 10246202 10257736 10257745 10257750 10257758 10257760 10281547 10293661 10293675  
10293683 10293685 10293688 10294924 10538555 10538575 10538691 10598074 10598075 10602823 10695393  
10695394 10729979 10729980 10739809

3	04288659	1	support
4	01148261	2	screw ISO 4017 -M16X40-10.9-ZNAL-A
5	01181400	2	washer H 2308 -18X25X1,5-A4C

006 ©

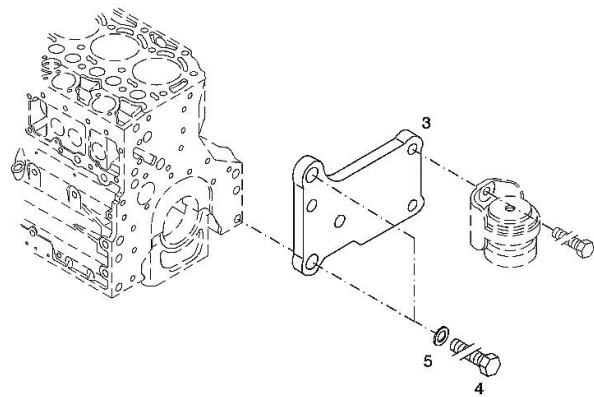
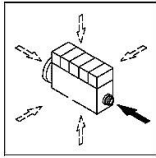


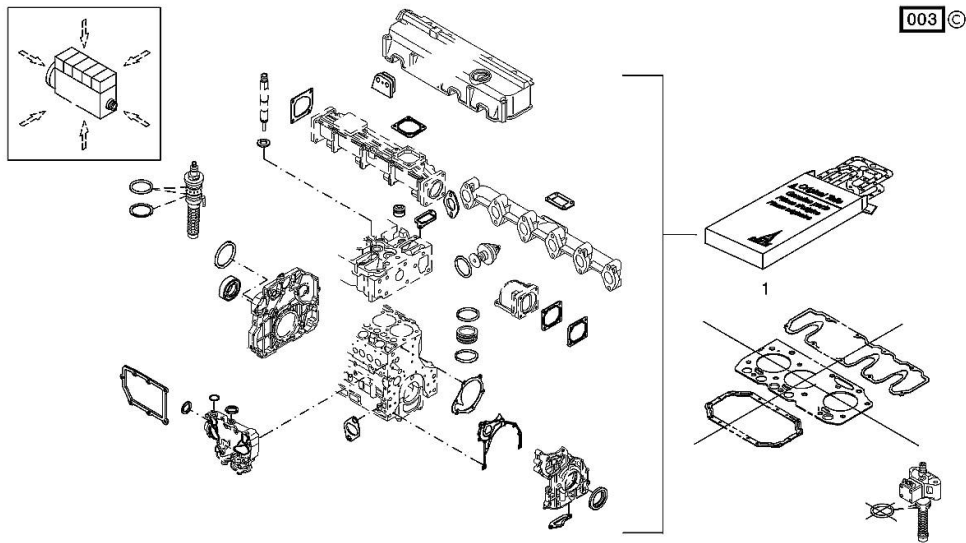
Fig.	P/n	QTY	Name
------	-----	-----	------

Notes:  
 [XL150]

**Engine serial number:**

10093362 10126137 10246202 10257736 10257745 10257750 10257758 10257760 10281547 10293661 10293675  
 10293683 10293685 10293688 10294924 10538555 10538575 10538691 10598074 10598075 10602823 10695393  
 10695394 10729979 10729980 10739809

1	02937586	1	gasket set THE KIT DOES NOT CONTAIN ALL THE GASKETS: SEE SM 0199-99-9449
---	----------	---	--



**<https://www.ebooklibonline.com>**

Hello dear friend!

Thank you very much for reading.

Enter the link into your browser.

The full manual is available for immediate download.

**<https://www.ebooklibonline.com>**

**OIL FILLER NECK**

Fig.	P/n	QTY	Name
------	-----	-----	------

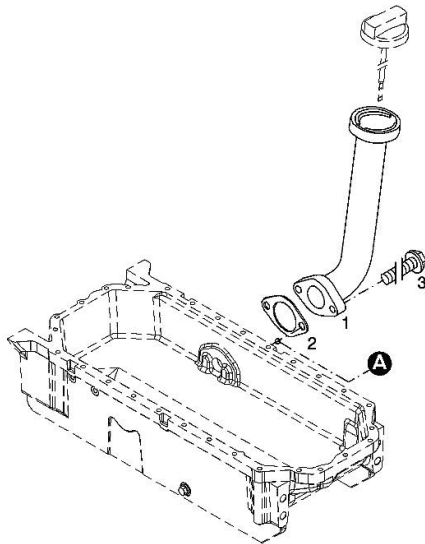
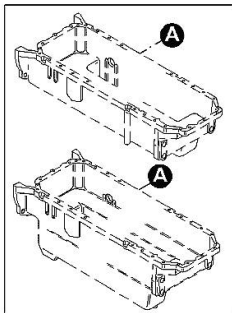
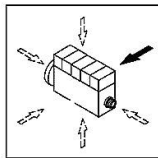
Notes:  
[XL150]

**Engine serial number:**

10093362 10126137 10246202 10257736 10257745 10257750 10257758 10257760 10281547 10293661 10293675  
10293683 10293685 10293688 10294924 10538555 10538575 10538691 10598074 10598075 10602823 10695393  
10695394 10729979 10729980 10739809

1	04207099	1	tube
2	01178421	1	gasket
3	01181433	2	screw
			30 Nm

001 ©



**ACCESSORIES**

Fig.	P/n	QTY	Name
------	-----	-----	------

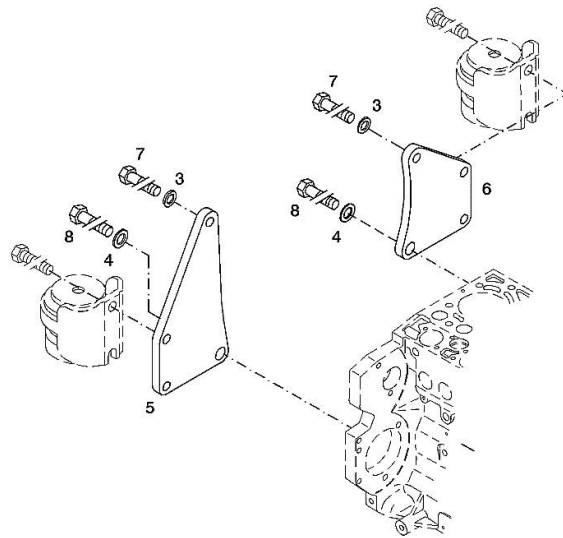
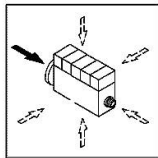
Notes:  
[XL150]

**Engine serial number:**

10093362 10126137 10246202 10257736 10257745 10257750 10257758 10257760 10281547 10293661 10293675  
10293683 10293685 10293688 10294924 10538555 10538575 10538691 10598074 10598075 10602823 10695393  
10695394 10729979 10729980 10739809

003 ©

3	01182016	2	disc H 2308 -13X24X3-ZNAL-A
4	01181400	2	washer H 2308 -18X25X1,5-A4C
5	04206926	1	plate dx/rh/re
6	04206927	1	plate sx/lh/li
7	01148137	2	screw - UP TO MONTH OF ASSEMBLY ( A ) - FROM MONTH OF ASSEMBLY SEE POS. ( B ) A = 06.2009 B = POS. 950 DIN 931 -M12X75-10.9-ZNAL-A
8	01148037	2	screw UP TO MONTH OF ASSEMBLY ( A ) - FROM MONTH OF ASSEMBLY SEE POS. ( B ) A = 06.2009 B = POS. 951 ISO 4014 -M16X75-10.9-OELGESCHW
950	01149017	2	screw - FROM MONTH OF ASSEMBLY SEE POS. ( B ) - UP TO MONTH OF ASSEMBLY (A) FROM MONTH OF ASSEMBLY A = 07.2009 B = 7 DIN 34800 -BM12X75-10.9-ZNAL-A
951	01180235	2	screw - FROM MONTH OF ASSEMBLY SEE POS. ( B ) - UP TO MONTH OF ASSEMBLY ( A ) FROM MONTH OF ASSEMBLY A = 07.2009 B= Pos.8 H 2032 -HBM16X75-10.9-GESCHW



**ACCESSORIES**

Fig.	P/n	QTY	Name
------	-----	-----	------

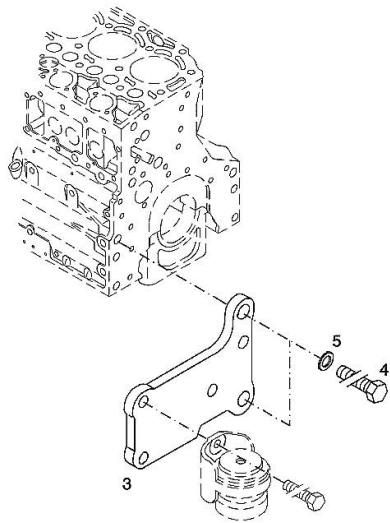
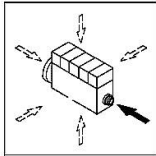
Notes:  
[XL150]

**Engine serial number:**

10093362 10126137 10246202 10257736 10257745 10257750 10257758 10257760 10281547 10293661 10293675  
10293683 10293685 10293688 10294924 10538555 10538575 10538691 10598074 10598075 10602823 10695393  
10695394 10729979 10729980 10739809

3	04288660	1	support
4	01148261	2	screw ISO 4017 -M16X40-10.9-ZNAL-A
5	01181400	2	washer H 2308 -18X25X1,5-A4C

003 ©

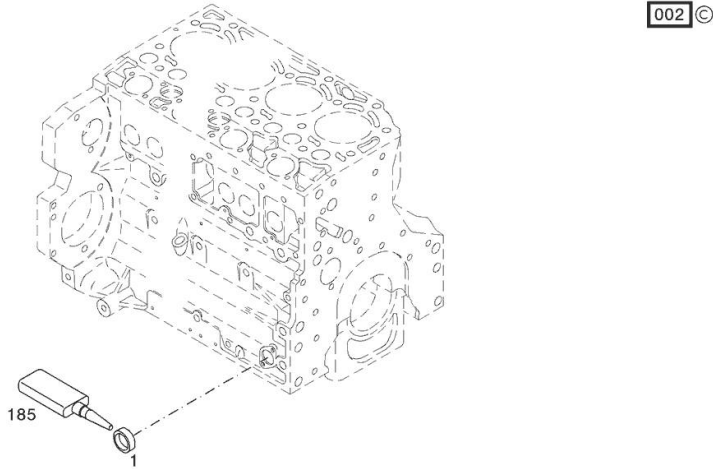
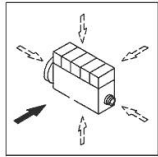


**PLUG**

Fig.	P/n	QTY	Name
------	-----	-----	------

Notes:  
[XL150]

1	01148031	1	plug DIN 443 -A36-ZNPHR
185	01319911	1	sealing compound ml. 50



**PISTON COOL.NOZZLE**

Fig.	P/n	QTY	Name
------	-----	-----	------

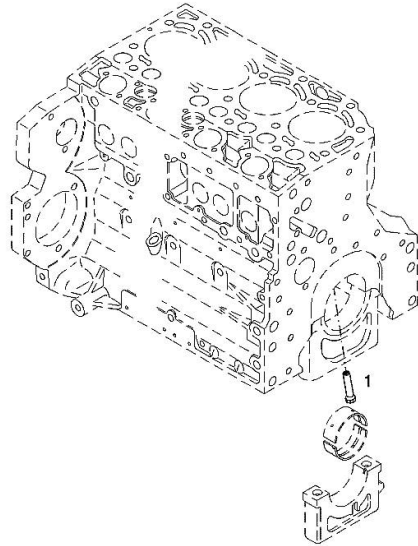
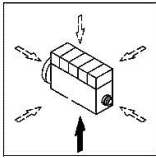
Notes:  
[XL150]

**Engine serial number:**

10093362 10126137 10246202 10257736 10257745 10257750 10257758 10257760 10281547 10293661 10293675  
10293683 10293685 10293688 10294924 10538555 10538575 10538691 10598074 10598075 10602823 10695393  
10695394 10729979 10729980 10739809

1	04207521	1	sprayers
---	----------	---	----------

001 ©



**FILLER CAP**

Fig.	P/n	QTY	Name
------	-----	-----	------

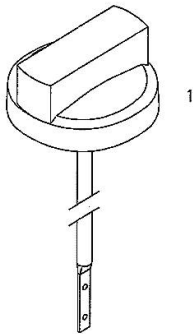
Notes:  
[XL150]

**Engine serial number:**

10093362 10126137 10246202 10257736 10257745 10257750 10257758 10257760 10281547 10293661 10293675  
10293683 10293685 10293688 10294924 10538555 10538575 10538691 10598074 10598075 10602823 10695393  
10695394 10729979 10729980 10739809

1	01180341	1	plug H 2875 -B2-OL40-166X4X145X15
---	----------	---	--------------------------------------

000





**Suggest:**

**For more complete manuals. Please go to the home page.**

**<https://www.ebooklibonline.com>**

**If the above button click is invalid. Please download this document first, and then click the above link to download the complete manual.**

**Thank you so much for reading**

**BLEEDING TUBE**

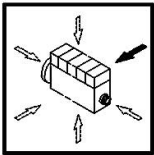
Fig.	P/n	QTY	Name
------	-----	-----	------

Notes:  
[XL150]

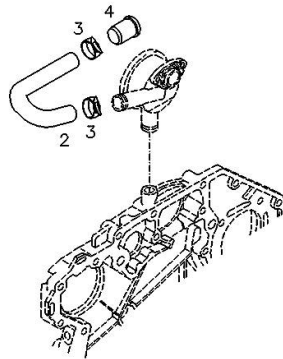
**Engine serial number:**

10093362 10126137 10246202 10257736 10257745 10257750 10257758 10257760 10281547 10293661 10293675  
10293683 10293685 10293688 10294924 10538555 10538575 10538691 10598074 10598075 10602823 10695393  
10695394 10729979 10729980 10739809

2	04198572	1	tube
3	01178750	2	clamp DIN 3021 -A-29X15
4	01167329	1	bottom H 2873 -A24,6X21,5X25-PEWEICH



000 ©

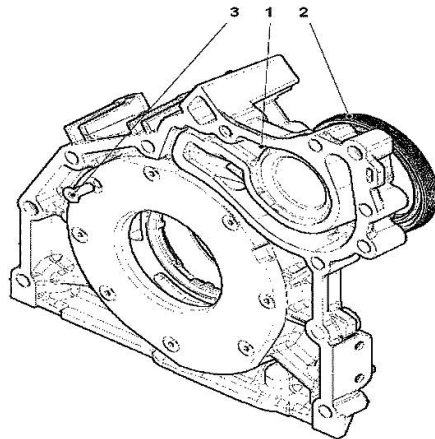


**FLANGE**

Fig.	P/n	QTY	Name
------	-----	-----	------

Notes:  
[XL150]

1	04502445	1	oil pump WITH POS.... (2,3)
2	04502202	1	special oil seal
3	01133718	8	screw 8.5 Nm DIN 7991 -M6X16-8.8-A4C



000

**<https://www.ebooklibonline.com>**

Hello dear friend!

Thank you very much for reading.

Enter the link into your browser.

The full manual is available for immediate download.

**<https://www.ebooklibonline.com>**