

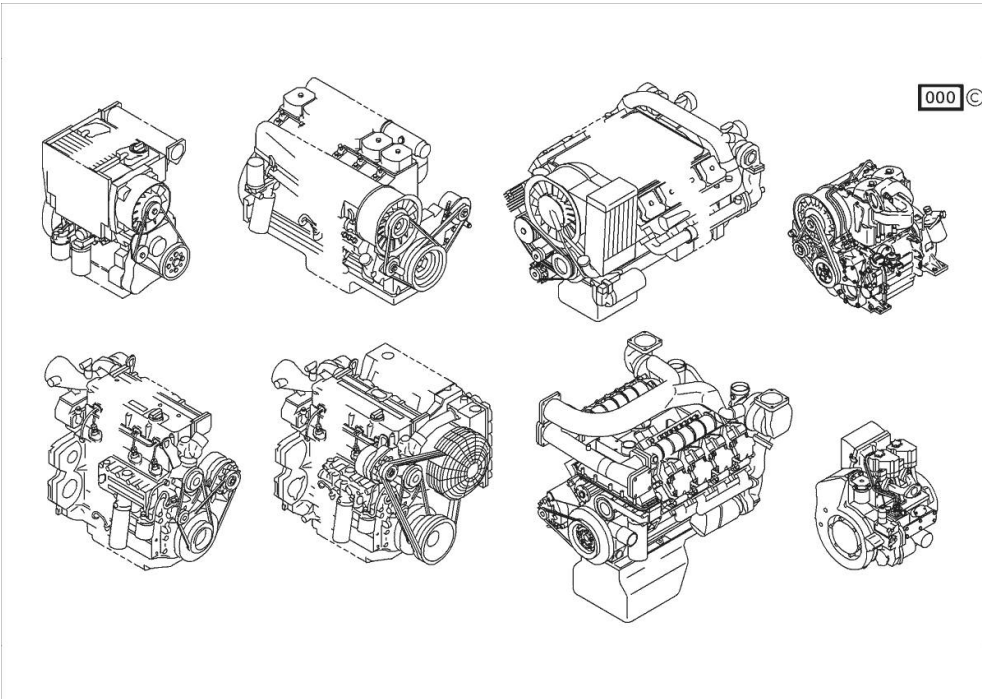
**AUSTAUSCHMOTOR**

Fig.	P/n	QTY	Name
------	-----	-----	------

**Notes:**

[XL150 HI-LEVEL]

1	12215999	1	new engine >100 kw VOR DER ERSATZTEILBESTELLUNG VON ZYLINDERROHREN,KOLBEN, KOLBENRINGEN U. KURBELWELLEN- LAGERN ( HAUPT-, PLEUEL- UND PASSLAGER ) IST DURCH AUSMESSEN DIE SCHLEIFSTUFE ZU ERMITTELN. AUSTAUSCHMOTOREN WERDEN OHNE ANBAUTEILE GELIEFERT.
950	12215999	1	new engine >100 kw
951	12215999	1	new engine >100 kw
952	12215999	1	new engine >100 kw



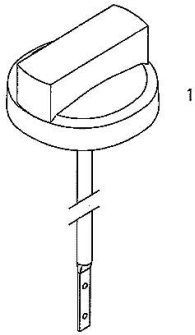
**FILLER CAP**

Fig.	P/n	QTY	Name
------	-----	-----	------

Notes:  
[XL150 HI-LEVEL]

1	01180341	1	plug H 2875 -B2-OL40-166X4X145X15
---	----------	---	--------------------------------------

000



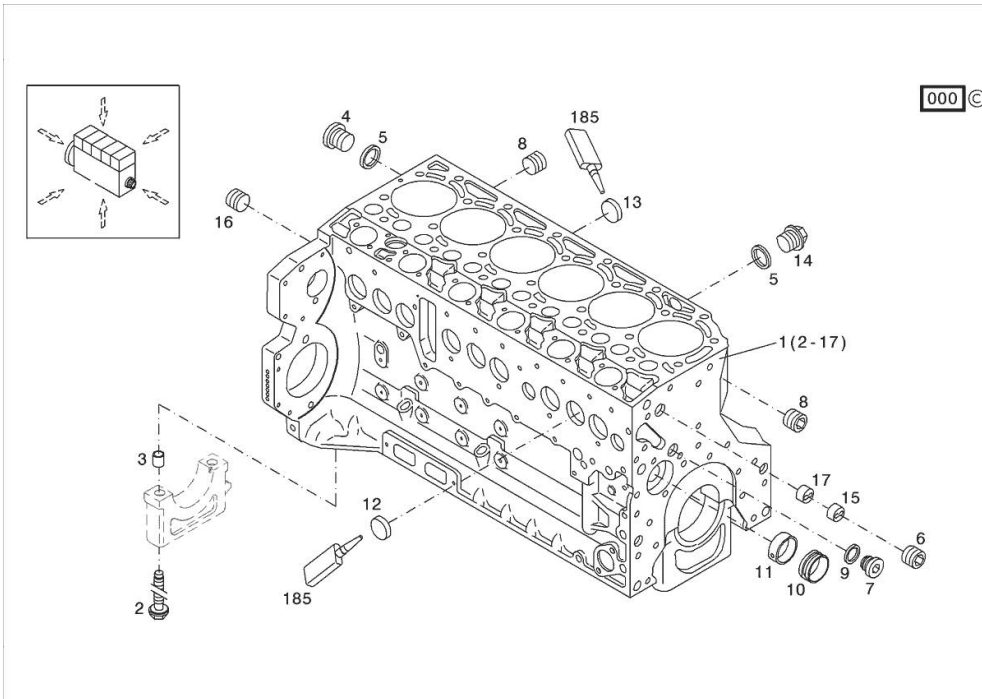
0507 1179

Section: B0 - ENGINE  
**KURBELGEHAEUSE**

Fig.	P/n	QTY	Name
------	-----	-----	------

Notes:  
 [XL150 HI-LEVEL]

185	01319910	1	guard
1	04506847	1	crankcase MIT POS.... (2-17)
2	04254240	14	screw 50 Nm , 90° , 90°
3	04160764	14	bushing
4	01110423	1	screw 35 Nm DIN 908 -M14X1,5-ST-ZNPHRF
5	01118693	3	gasket 14x20 DIN 7603 -A14X20-CU
6	01180890	1	screw 95 Nm H 2812 -906-M30X1,5-ST-A4C-PRE80
7	04292706	1	plug 80 Nm
8	01182031	2	screw 35 Nm H 2812 -906-M14X1,5-ST-A3C-LOCTITE506
9	01101342	1	oil seal DIN 7603 -D22X27-CU
10	04251884	6	plug
11	04250086	1	ring
12	01148032	9	cover DIN 443 -A45-ZNPHR
13	01148031	6	plug DIN 443 -A36-ZNPHR
14	01100940	2	screw 35 Nm DIN 7604 -AM14X1,5-ST-A4C
15	04202518	1	sleeve
16	04226536	1	bottom 30 Nm
17	04202517	1	sleeve



**<https://www.ebooklibonline.com>**

Hello dear friend!

Thank you very much for reading.

Enter the link into your browser.

The full manual is available for immediate download.

**<https://www.ebooklibonline.com>**

Section: B0 - ENGINE

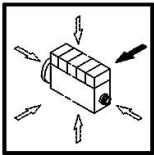
**BLEEDING TUBE**

Fig.	P/n	QTY	Name
------	-----	-----	------

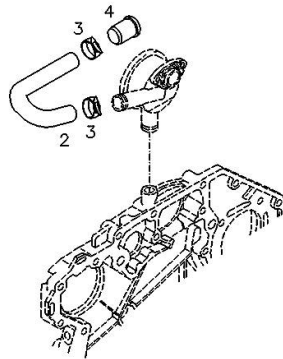
**Notes:**

[XL150 HI-LEVEL]

2	04198572	1	tube
3	01178750	2	clamp DIN 3021 -A-29X15
4	01167329	1	bottom H 2873 -A24,6X21,5X25-PEWEICH



000 ©



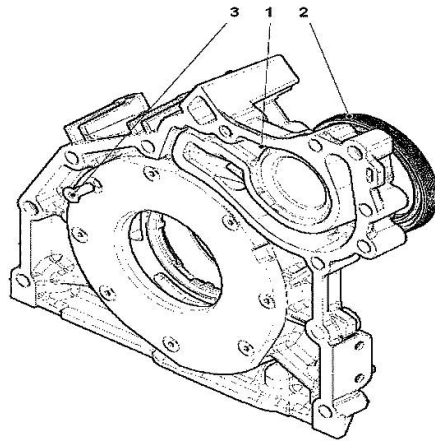
**FLANGE**

Fig.	P/n	QTY	Name
------	-----	-----	------

**Notes:**

[XL150 HI-LEVEL]

1	04502445	1	oil pump WITH POS.... (2,3)
2	04502202	1	special oil seal
3	01133718	8	screw 8.5 Nm DIN 7991 -M6X16-8.8-A4C



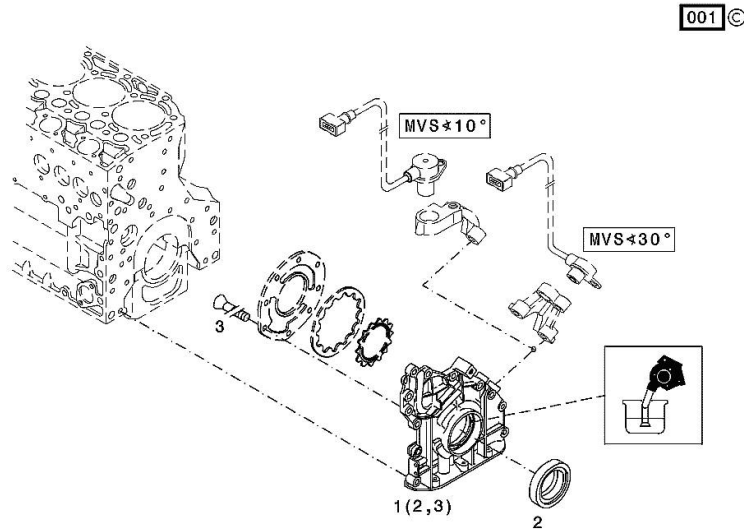
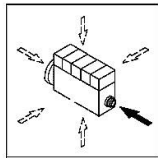
000

**FLANGE**

Fig.	P/n	QTY	Name
------	-----	-----	------

Notes:  
[XL150 HI-LEVEL]

1	04258382	1	oil pump kpl. WITH POS.... (2,3)
2	04253372	1	oil seal
3	01133718	1	screw DIN 7991 -M6X16-8.8-A4C



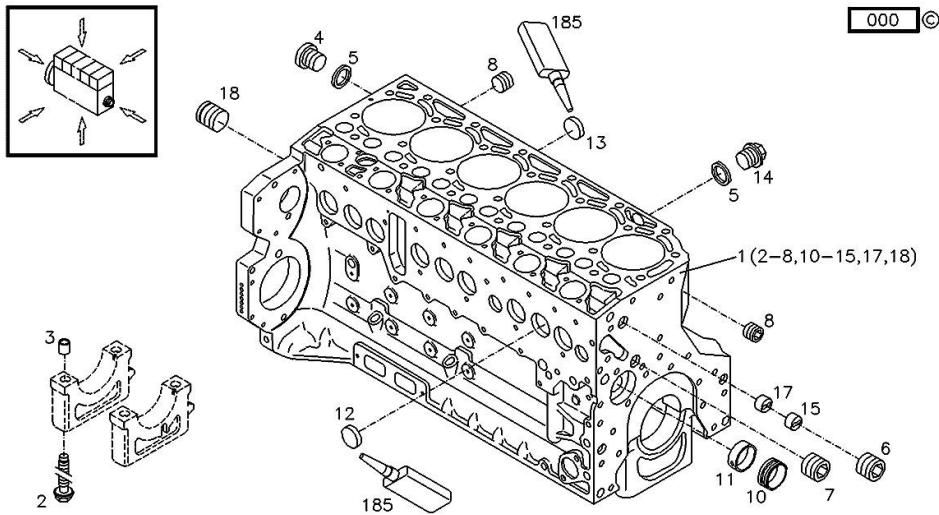
**CRANKCASE**

Fig.	P/n	QTY	Name
------	-----	-----	------

**Notes:**

[XL150 HI-LEVEL]

1	04282838	1	crankcase WITH POS.... (2-8,10-15,17,18)
2	04254240	14	screw
3	04160764	14	bushing
4	01110423	1	screw DIN 908 -M14X1,5-ST-ZNPHRF
5	01118693	3	gasket 14x20 DIN 7603 -A14X20-CU
6	01182033	1	screw H 2812 -906-M30X1,5-ST-A3C-LOCTITE506
7	01182032	1	screw H 2812 -906-M22X1,5-ST-A3C-LOCTITE506
8	01182031	2	screw H 2812 -906-M14X1,5-ST-A3C-LOCTITE506
10	04251884	6	plug
11	04250086	1	ring
12	01148032	9	cover DIN 443 -A45-ZNPHR
13	01148031	6	plug DIN 443 -A36-ZNPHR
14	01100940	2	screw DIN 7604 -AM14X1,5-ST-A4C
15	04202518	1	sleeve
17	04202517	1	sleeve
18	04226536	1	bottom
185	01016127	1	sealing compound ml. 50 H 0699 -DEUTZDW72-50ML



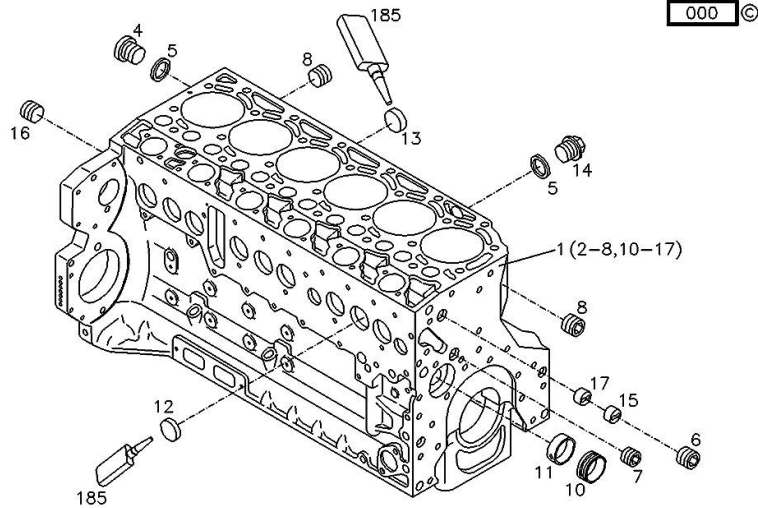
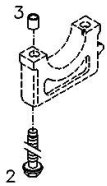
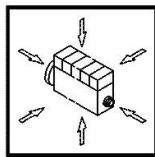
**CRANKCASE**

Fig.	P/n	QTY	Name
------	-----	-----	------

**Notes:**

[XL150 HI-LEVEL]

1	04289953	1	crankcase WITH POS.... (2-8,10-17)
2	04254240	14	screw
3	04160764	14	bushing
4	01110423	1	screw DIN 908 -M14X1,5-ST-ZNPHRF
5	01118693	3	gasket 14x20 DIN 7603 -A14X20-CU
6	01180890	1	screw H 2812 -906-M30X1,5-ST-A4C-PRE80
7	01180906	1	screw H 2812 -906-M22X1,5-ST-A4C-PRE80
8	01182031	2	screw H 2812 -906-M14X1,5-ST-A3C-LOCTITE506
10	04251884	6	plug
11	04250086	1	ring
12	01148032	9	cover DIN 443 -A45-ZNPHR
13	01179634	6	plug H 2860 -A36-ST-FE/ZNPHR
14	01100940	2	screw DIN 7604 -AM14X1,5-ST-A4C
15	04202518	1	sleeve
16	04226536	1	bottom
17	04202517	1	sleeve
185	01016125	1	guard H 0699 -DEUTZDW72-250ML



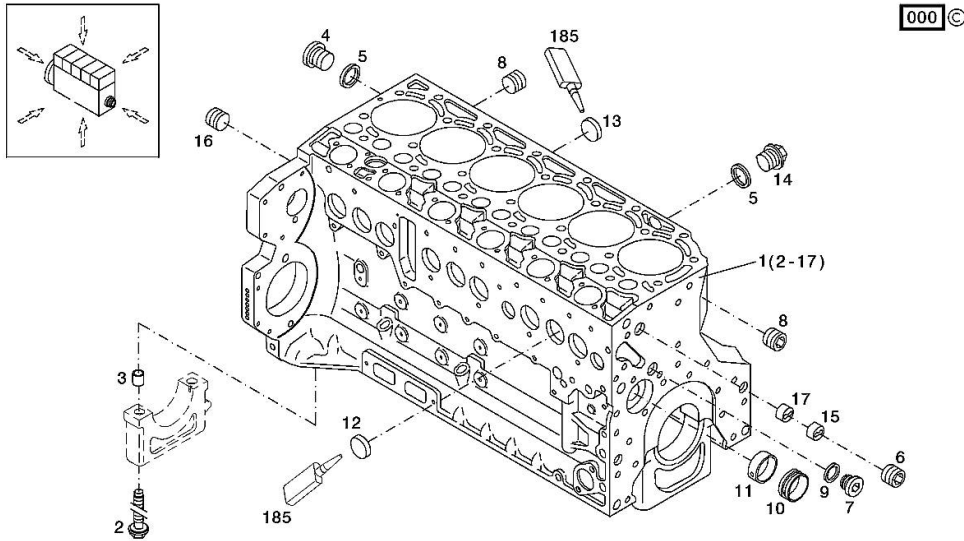
**CRANKCASE**

Fig.	P/n	QTY	Name
------	-----	-----	------

**Notes:**

[XL150 HI-LEVEL]

1	04296583	1	crankcase WITH POS.... (2-17)
2	04254240	14	screw
3	04160764	14	bushing
4	01110423	1	screw DIN 908 -M14X1,5-ST-ZNPHRF
5	01118693	3	gasket 14x20 DIN 7603 -A14X20-CU
6	01180890	1	screw H 2812 -906-M30X1,5-ST-A4C-PRE80
7	04292706	1	plug
8	01182031	2	screw H 2812 -906-M14X1,5-ST-A3C-LOCTITE506
9	01101342	1	oil seal DIN 7603 -D22X27-CU
10	04251884	6	plug
11	04250086	1	ring
12	01148032	9	cover DIN 443 -A45-ZNPHR
13	01148031	6	plug DIN 443 -A36-ZNPHR
14	01100940	2	screw DIN 7604 -AM14X1,5-ST-A4C
15	04202518	1	sleeve
16	04226536	1	bottom
17	04202517	1	sleeve
185	01016125	1	guard H 0699 -DEUTZDW72-250ML



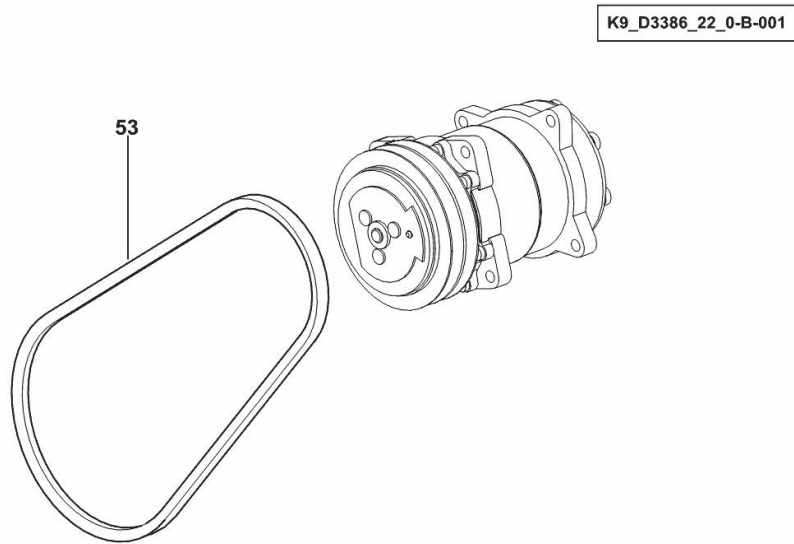
**V-BELT - FOR TRACTORS WITH AIR CONDITIONING**

Fig.	P/n	QTY	Name
------	-----	-----	------

**Notes:**

[XL150 HI-LEVEL]

53	04452801	1	belt AV 13x1000 mm
----	----------	---	--------------------



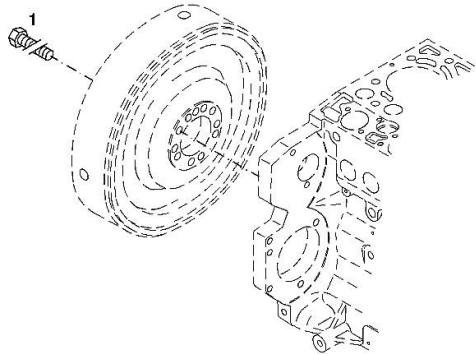
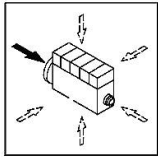
**FASTENINGS**

Fig.	P/n	QTY	Name
------	-----	-----	------

**Notes:**

[XL150 HI-LEVEL]

1	04204128	10	screw m 10 p.1x35 M10X1X35
---	----------	----	-------------------------------



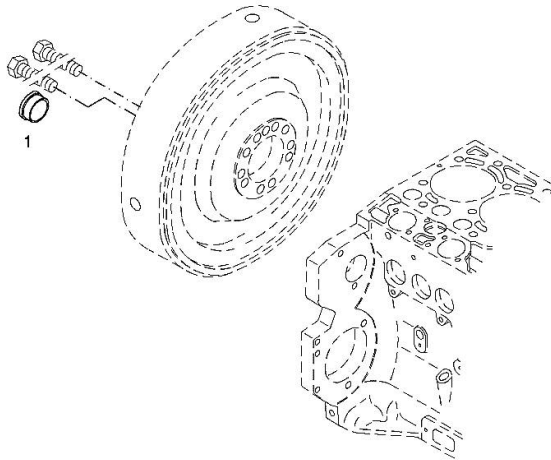
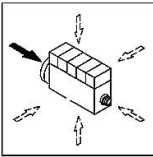
001 ©

**PLUG**

Fig.	P/n	QTY	Name
------	-----	-----	------

Notes:  
[XL150 HI-LEVEL]

1	01175750	5	plug - UP TO MONTH OF ASSEMBLY ( A ) - FROM MONTH OF ASSEMBLY SEE POS. ( B ) 11/2006
950	01167313	5	plug - FROM MONTH OF ASSEMBLY SEE POS. ( B ) - UP TO MONTH OF ASSEMBLY ( A ) FROM MONTH OF ASSEMBLY 12/2006



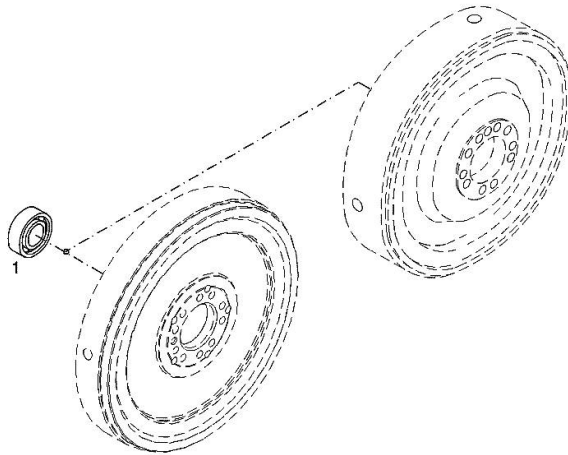
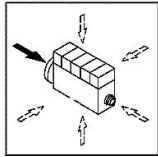
000 ©

**ACCESSORIES**

Fig.	P/n	QTY	Name
------	-----	-----	------

Notes:  
[XL150 HI-LEVEL]

1	01136432	1	ball bearing DIN 625 -6304-2RS1
---	----------	---	------------------------------------



001 ©



**Suggest:**

**For more complete manuals. Please go to the home page.**

**<https://www.ebooklibonline.com>**

**If the above button click is invalid. Please download this document first, and then click the above link to download the complete manual.**

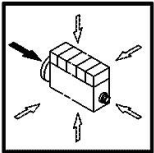
**Thank you so much for reading**

**FLYWHEEL**

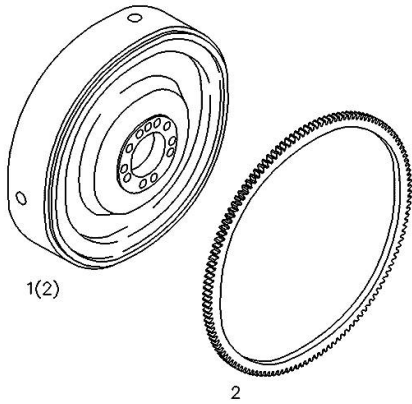
Fig.	P/n	QTY	Name
------	-----	-----	------

Notes:  
[XL150 HI-LEVEL]

1	04208193	1	flywheel WITH POS.... (2)
2	04900286	1	crown wheel



001

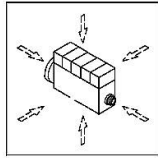


**CRANKSHAFT**

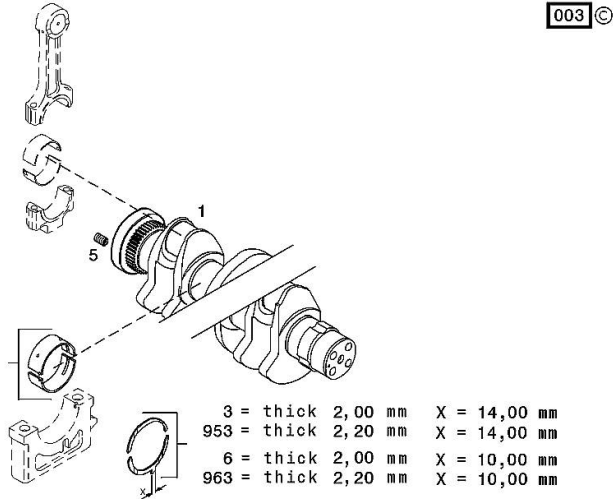
Fig.	P/n	QTY	Name
------	-----	-----	------

Notes:  
[XL150 HI-LEVEL]

1	04289039	1	crankshaft
2	02931062	7	main bearing STANDARD STANDARD (A) MM RD, UNDERSIZE SEE POS. (B) A = 84,00 B = 952
3	02931331	2	shoulder ring STANDARD STANDARD (A) MM, OVERSIZE SEE POS. (B) POS. (B) A = 2.00 B = 953
5	01172066	1	insert H 2358 -AM10X1X20
6	02931063	1	shoulder ring STANDARD STANDARD (A) MM, OVERSIZE SEE POS. (B) POS. (B) A = 2.0 MM B = 963
952	02931071	1	main bearing - mm 0.25 1° MINORAZIONE 1ST UNDERSIZE 1A MEDIDA DE DESGASTE 1ERE COTE EN SOUS-DIMENSION 83,75 MM RD
953	02931332	1	shoulder ring 1st OVERSIZE 2.20 MM
963	02931074	1	shoulder ring 1° MAGGIORANZIONE 1ST OVERSIZE 1A SOBREMEDIDA 1ERE COTE EN SURDIMENSION 2.20 MM



2 = diam. 84,00 mm  
952 = diam. 83,75 mm



**<https://www.ebooklibonline.com>**

Hello dear friend!

Thank you very much for reading.

Enter the link into your browser.

The full manual is available for immediate download.

**<https://www.ebooklibonline.com>**