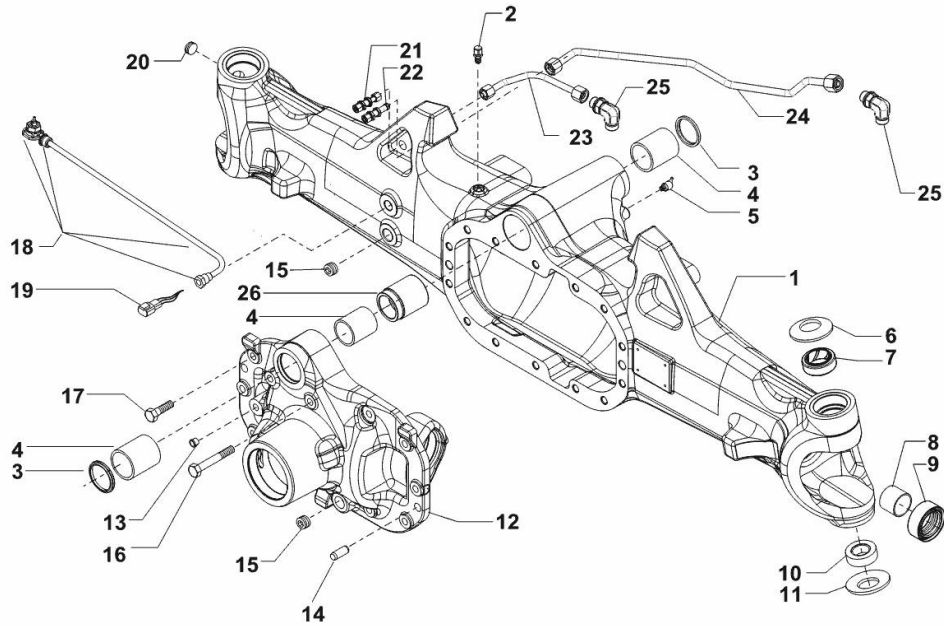


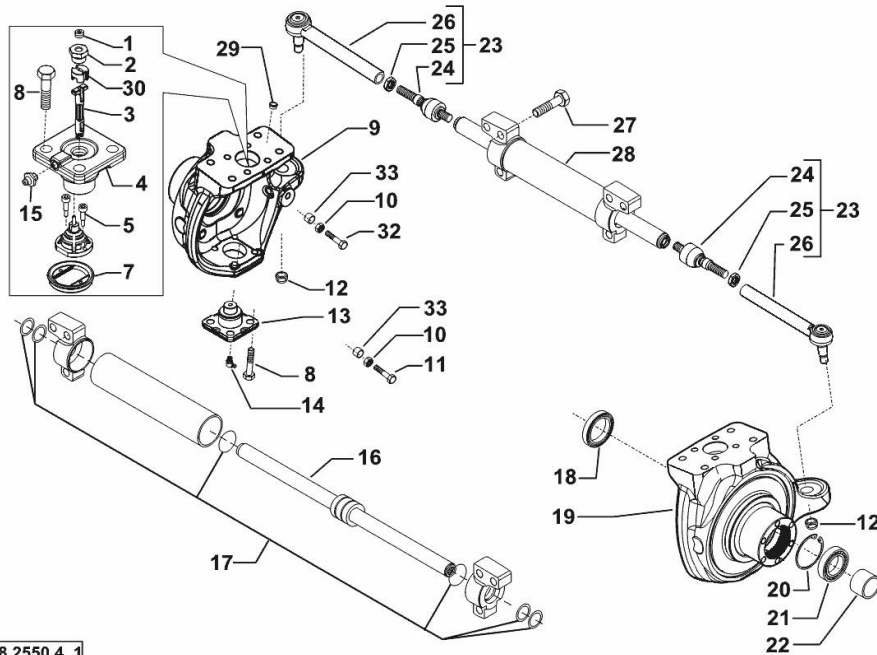
DRIVEN FRONT AXLE - 380999



0.018.2550.4_0

| Fig. | P/n | QTY | Name |
|------|--------------|-----|-------------------------|
| 1 | 0.900.1416.2 | 1 | front axle |
| 2 | 0.900.0079.8 | 1 | breather m 10 p.1 |
| 3 | 0.900.0079.9 | 2 | circlip |
| 4 | 0.900.0080.0 | 3 | bushing |
| 5 | 0.900.0080.1 | 1 | grease gun m 8 p.1, 45° |
| 6 | 0.900.0080.2 | 2 | spring |
| 7 | 0.900.0080.3 | 2 | bushing |
| 8 | 0.900.0080.4 | 2 | bushing |
| 9 | 0.900.0912.6 | 2 | oil seal 40x65x27,5 |
| 10 | 0.900.1416.3 | 2 | bearing |
| 11 | 0.900.0080.7 | 2 | spring |
| 12 | 0.900.1536.6 | 1 | flange |
| 13 | 0.900.0893.4 | 1 | plug D1 |
| 14 | 0.900.0081.0 | 2 | pin Ø 15x45 |
| 15 | 0.900.0081.1 | 2 | plug m 24 p.1.5 |
| 16 | 0.900.0081.2 | 2 | screw m 14x75 |
| 17 | 0.900.0081.3 | 12 | screw m14 x 40 |
| 18 | 0.900.0504.8 | 1 | sensor - KIT |
| 19 | 0.900.0081.5 | 1 | connector |
| 20 | 0.900.0081.6 | 1 | plug m 26 p.1.5 |
| 21 | 0.900.0081.7 | 1 | pipe fitting |
| 22 | 0.900.0081.8 | 1 | pipe fitting |
| 23 | 04454985 | 1 | tube |
| 24 | 04454984 | 1 | tube |
| 25 | 0.900.0082.1 | 2 | pipe fitting |
| 26 | 0.900.0082.2 | 1 | bushing |

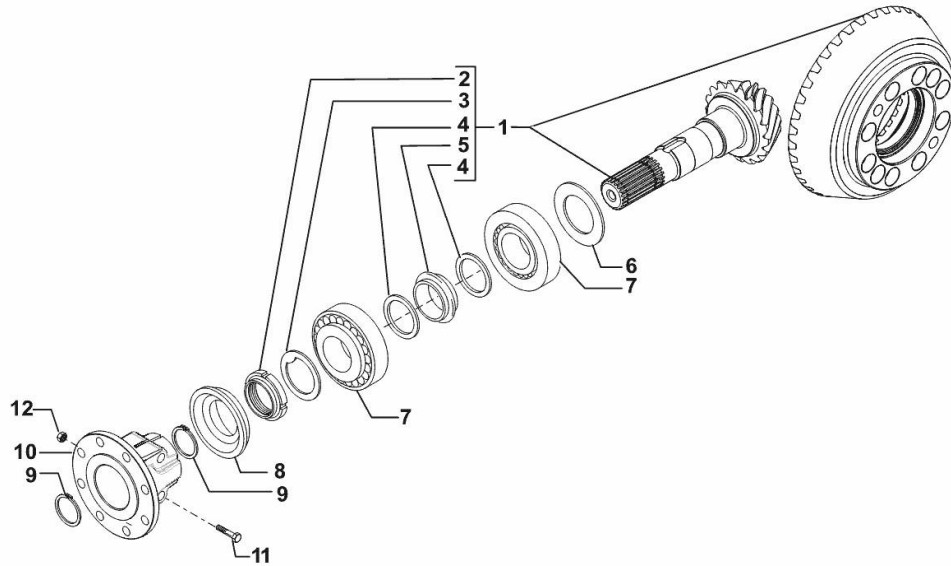
STEERING CYLINDER - 380999



0.018.2550.4_1

| Fig. | P/n | QTY | Name |
|------|--------------|-----|-------------------------|
| 1 | 0.900.0894.3 | 2 | plug |
| 2 | 0.900.0082.4 | 2 | screw m 20 p.1.5 |
| 3 | 0.900.0965.7 | 1 | small pin |
| 4 | 0.900.0502.5 | 2 | pin |
| 5 | 0.900.0082.7 | 2 | screw m 4 x 10 |
| 7 | 0.900.0865.2 | 1 | cover |
| 8 | 0.900.0082.9 | 16 | screw m 14 x 35 |
| 9 | 0.900.1416.4 | 1 | fork sx/lh/li |
| 10 | 0.900.0105.8 | 4 | nut m 14 |
| 11 | 0.900.1536.7 | 2 | screw |
| 12 | 0.900.0083.3 | 2 | nut m 20 p.1 |
| 13 | 0.900.0083.4 | 2 | pin |
| 14 | 0.900.0083.5 | 2 | grease gun m 6 p.1, 45° |
| 15 | 0.900.0542.4 | 1 | grease gun m 6 p.1 |
| 16 | 0.900.0083.7 | 1 | stem |
| 17 | 0.900.0083.8 | 1 | gasket set |
| 18 | 0.900.0083.9 | 2 | oil seal 56x80x13/14,5 |
| 19 | 0.900.0084.0 | 1 | cap dx/rh/re |
| 20 | 0.900.0084.1 | 2 | circlip |
| 21 | 0.900.0084.2 | 2 | bearing |
| 22 | 0.900.0084.3 | 2 | spacer |
| 23 | 0.900.1416.5 | 2 | rod |
| 24 | 0.900.0647.3 | 2 | joint |
| 25 | 0.900.0084.6 | 2 | nut m 24x10 |
| 26 | 0.900.0644.8 | 2 | rod |
| 27 | 0.900.0791.2 | 6 | screw m18x70 |
| 28 | 0.900.0527.5 | 2 | jack |
| 29 | 0.900.0085.0 | 8 | plug |
| 30 | 0.900.0961.2 | 1 | small block |
| 31 | 0.900.0112.6 | 1 | breather m10 p.1 |
| 32 | 0.900.0948.6 | 2 | screw m 14 |
| 33 | 0.900.0948.7 | 4 | bush |

BEVEL WHEEL GEAR - 380999



| Fig. | P/n | QTY | Name |
|------|--------------|-----|-------------------------|
| 1 | 0.900.0085.4 | 1 | bevel drive Z = 14/37 |
| 2 | 0.900.0085.5 | 1 | ring nut m 40 p.1.5 |
| 3 | 0.900.0085.6 | 1 | washer |
| 4 | 0.900.0085.7 | 2 | washer |
| 5 | 0.900.0085.8 | 1 | spacer |
| 6 | 0.900.0085.9 | | shim mm 2.50 |
| 6 | 0.900.0086.0 | | shim mm 2.60 |
| 6 | 0.900.0086.1 | | shim mm 2.70 |
| 6 | 0.900.0086.2 | | shim mm 2.80 |
| 6 | 0.900.0086.3 | | shim mm 2.90 |
| 6 | 0.900.0086.4 | | shim mm 3.00 |
| 6 | 0.900.0086.5 | | shim mm 3.10 |
| 6 | 0.900.0086.6 | | shim mm 3.20 |
| 6 | 0.900.0086.7 | | shim mm 3.30 |
| 6 | 0.900.0086.8 | | shim mm 3.40 |
| 7 | 0.900.0086.9 | 2 | bearing |
| 8 | 0.900.0087.0 | 1 | oil seal 35x92/98x13/27 |
| 9 | 0.900.0087.1 | 2 | circlip d = 35 |
| 10 | 0.900.0965.8 | 1 | flange |
| 11 | 0.900.0960.9 | 2 | screw |
| 12 | 0.900.0961.0 | 2 | nut |

0.018.2550.4_2

<https://www.ebooklibonline.com>

Hello dear friend!

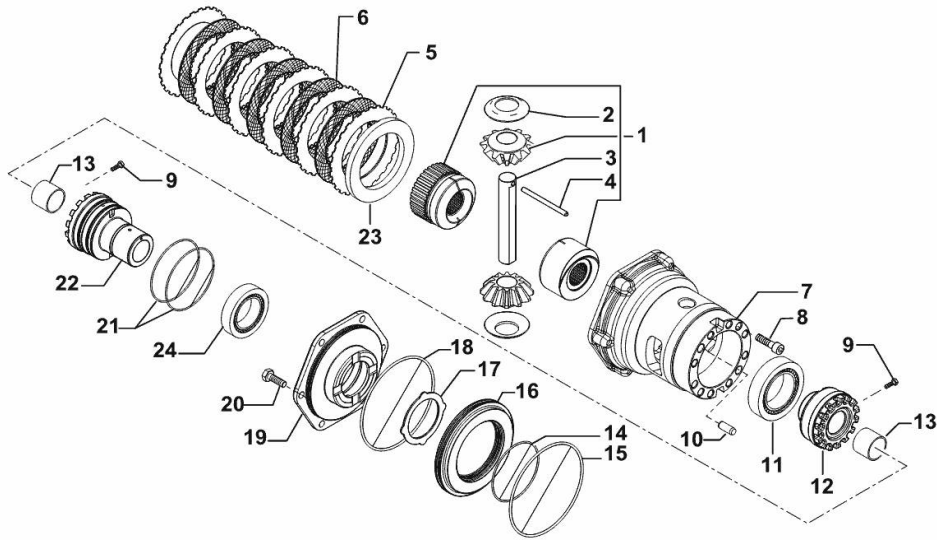
Thank you very much for reading.

Enter the link into your browser.

The full manual is available for immediate download.

<https://www.ebooklibonline.com>

Section: F0 - FRONT AXLE
DIFFERENTIAL - 380999

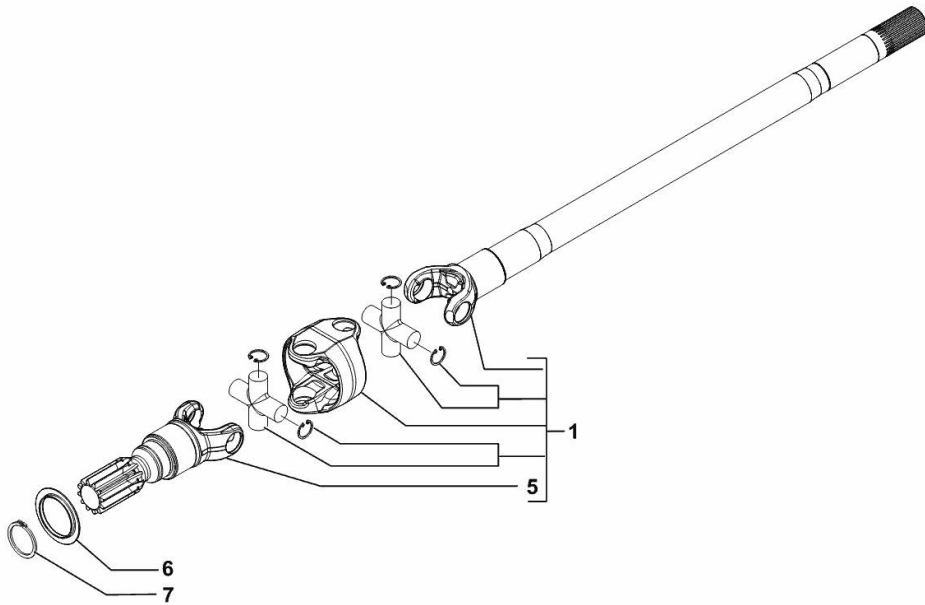


| Fig. | P/n | QTY | Name |
|------|--------------|-----|-------------------------|
| 1 | 0.900.0966.2 | 1 | differential lock - KIT |
| 2 | 0.900.0087.4 | 2 | slewing ring |
| 3 | 0.900.0087.5 | 1 | pin |
| 4 | 0.900.0087.6 | 1 | pin D7x91 |
| 5 | 0.900.0087.7 | 6 | disc |
| 6 | 0.900.0087.8 | 5 | disc |
| 7 | 0.900.0087.9 | 1 | differential carrier |
| 8 | 0.900.0088.0 | 10 | screw m 12 x 35 |
| 9 | 0.900.0088.1 | 2 | screw m 6 x 25 |
| 10 | 0.900.0088.3 | 2 | pin Ø 12 x 28 |
| 11 | 0.900.0088.4 | 2 | bearing |
| 12 | 0.900.0088.5 | 1 | ring nut M94x1.5 |
| 12 | 0.900.0088.6 | 2 | bushing |
| 14 | 0.900.0088.7 | 1 | oil seal |
| 15 | 0.900.0088.8 | 1 | oil seal |
| 16 | 0.900.0088.9 | 1 | piston |
| 17 | 0.900.0089.0 | 1 | disc |
| 18 | 0.900.0089.1 | 1 | oil seal |
| 19 | 0.900.0952.0 | 1 | cover - KIT |
| 20 | 0.900.0089.3 | 6 | screw m 10 x 35 |
| 21 | 0.900.0089.8 | 2 | oil seal |
| 22 | 0.900.0089.9 | 1 | ring nut m 94 p.1.5 |
| 23 | 0.900.0090.0 | 1 | disc |
| 24 | 0.900.0090.1 | 1 | bearing |

0.018.2550.4_3

DOUBLE COUPLING - 380999

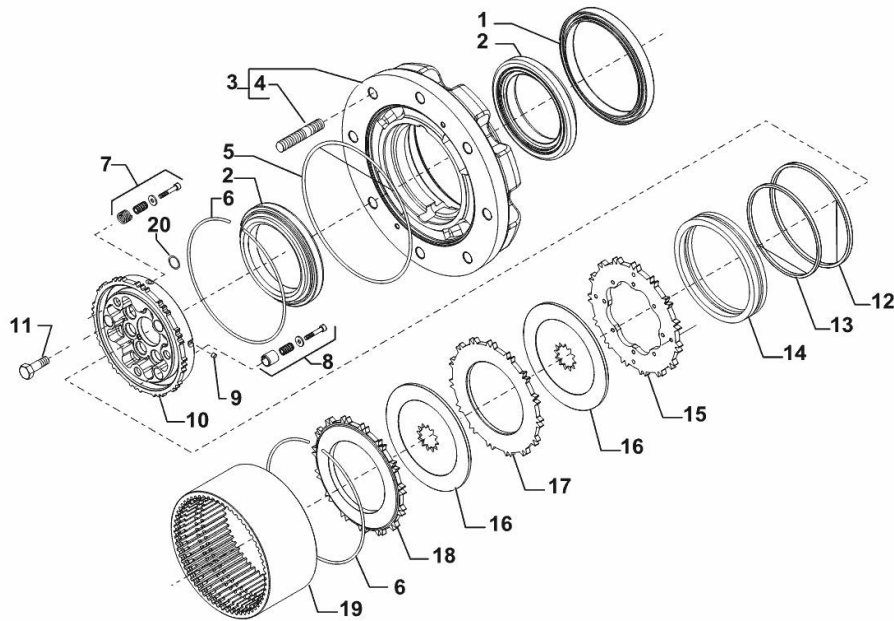
| Fig. | P/n | QTY | Name |
|------|--------------|-----|----------------|
| 1 | 0.900.1416.8 | 1 | joint sx/lh/li |
| 1 | 0.900.1536.8 | 1 | joint dx/rh/re |
| 5 | 0.900.0090.8 | 2 | fork |
| 6 | 0.900.0090.9 | 2 | cover |
| 7 | 0.900.0091.0 | 2 | circlip |



0.018.2550.4_4

WHEEL HUB - WITH FRONT BRAKES - 380999

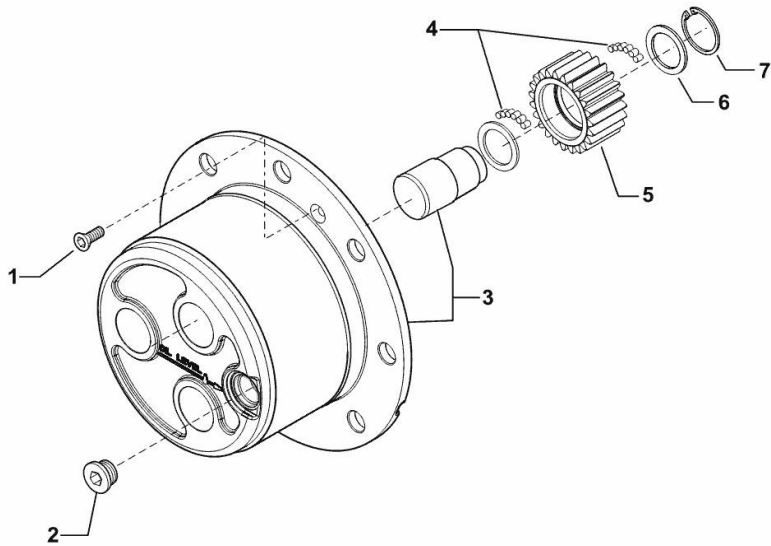
| Fig. | P/n | QTY | Name |
|------|--------------|-----|-----------------------|
| 1 | 0.900.0091.1 | 2 | oil seal 155x180x14,5 |
| 2 | 0.900.1360.6 | 4 | bearing |
| 3 | 0.900.1416.9 | 2 | wheel hub |
| 4 | 0.900.0091.4 | 16 | stud bolt |
| 5 | 0.900.1417.0 | 2 | oil seal |
| 6 | 0.900.0091.6 | 4 | circlip |
| 7 | 0.900.0116.9 | 2 | screw - KIT |
| 8 | 0.900.0116.8 | 2 | screw - KIT |
| 9 | 0.900.0117.0 | 4 | rivet |
| 10 | 0.900.1536.9 | 2 | hub |
| 11 | 0.900.0091.8 | 16 | screw m 12 x 45 |
| 12 | 0.900.1417.2 | 2 | oil seal |
| 13 | 0.900.1417.3 | 2 | oil seal |
| 14 | 0.900.0116.4 | 2 | piston |
| 15 | 0.900.0116.3 | 2 | brake disc |
| 16 | 0.900.0116.1 | 4 | brake disc |
| 17 | 0.900.0116.2 | 2 | brake disc |
| 18 | 0.900.0116.0 | 2 | clutch plate |
| 19 | 0.900.1417.6 | 2 | crown wheel Z = 60 |
| 20 | 0.900.0112.8 | 2 | ring |



0.018.2550.4_5

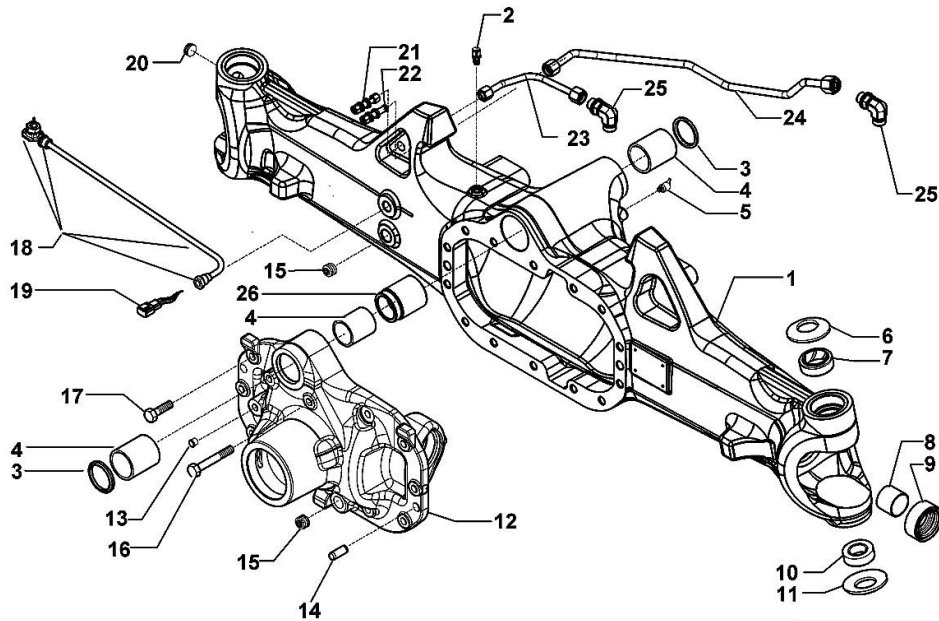
PLANETARY GEAR - 380999

| Fig. | P/n | QTY | Name |
|------|--------------|-----|-----------------------|
| 1 | 0.900.0092.0 | 4 | screw m 8 p.1.25 x 20 |
| 2 | 0.900.0092.1 | 2 | plug m 30 p.2 |
| 3 | 0.900.1417.8 | 2 | spider |
| 4 | 0.900.0092.3 | 34 | roller |
| 5 | 0.900.0092.4 | 6 | gear Z = 23 |
| 6 | 0.900.0092.5 | 6 | slewing ring |
| 7 | 0.900.0092.6 | 6 | circlip |



0.018.2550.4_6

DRIVEN FRONT AXLE - 380999

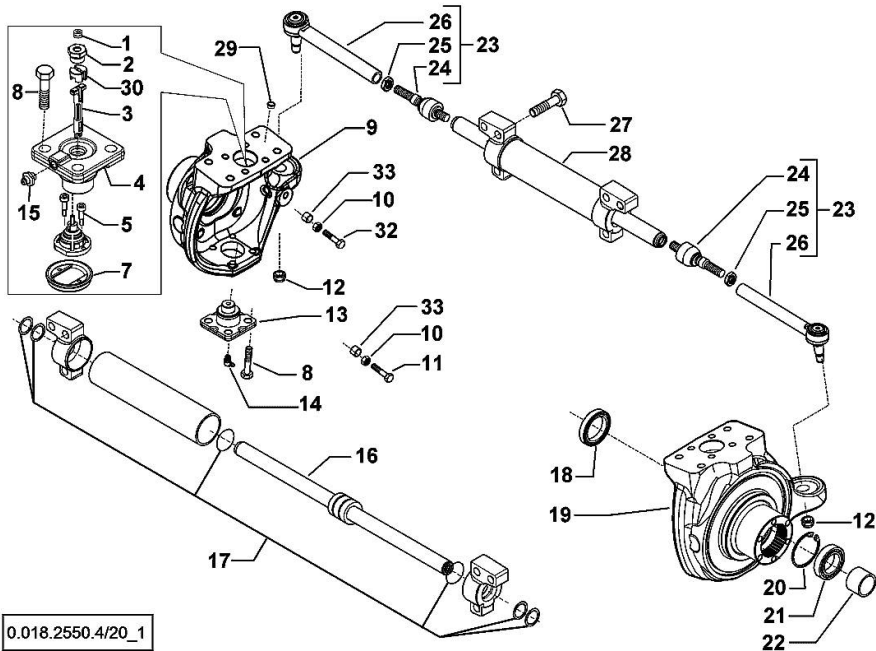


0.018.2550.4/20_0

| Fig. | P/n | QTY | Name |
|------|--------------|-----|-------------------------|
| 1 | 0.900.1416.2 | 1 | front axle |
| 2 | 0.900.0079.8 | 1 | breather m 10 p.1 |
| 3 | 0.900.0079.9 | 2 | circlip |
| 4 | 0.900.0080.0 | 3 | bushing |
| 5 | 0.900.0080.1 | 1 | grease gun m 8 p.1, 45° |
| 6 | 0.900.0080.2 | 2 | spring |
| 7 | 0.900.0080.3 | 2 | bushing |
| 8 | 0.900.0080.4 | 2 | bushing |
| 9 | 0.900.0912.6 | 2 | oil seal 40x65x27,5 |
| 10 | 0.900.1416.3 | 2 | bearing |
| 11 | 0.900.0080.7 | 2 | spring |
| 12 | 0.900.1536.6 | 1 | flange |
| 13 | 0.900.0893.4 | 1 | plug D1 |
| 14 | 0.900.0081.0 | 2 | pin Ø 15x45 |
| 15 | 0.900.0081.1 | 2 | plug m 24 p.1.5 |
| 16 | 0.900.0081.2 | 2 | screw m 14x75 |
| 17 | 0.900.0081.3 | 12 | screw m14 x 40 |
| 18 | 0.900.0504.8 | 1 | sensor - KIT |
| 19 | 0.900.0081.5 | 1 | connector |
| 20 | 0.900.0081.6 | 1 | plug m 26 p.1.5 |
| 21 | 0.900.0081.7 | 1 | pipe fitting |
| 22 | 0.900.0081.8 | 1 | pipe fitting |
| 23 | 04454985 | 1 | tube |
| 24 | 04454984 | 1 | tube |
| 25 | 0.900.0082.1 | 2 | pipe fitting |
| 26 | 0.900.0082.2 | 1 | bushing |

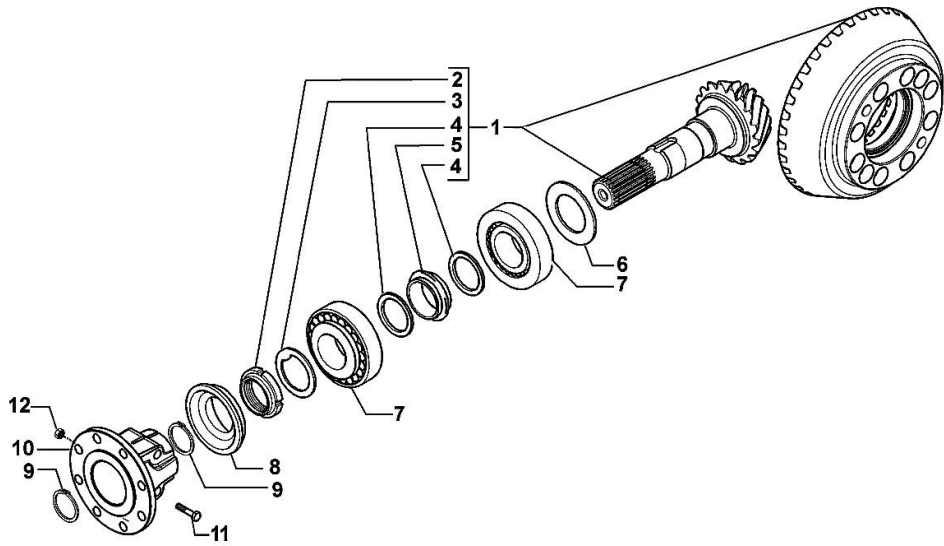
STEERING CYLINDER - 380999

| Fig. | P/n | QTY | Name |
|------|--------------|-----|-------------------------|
| 1 | 0.900.0894.3 | 2 | plug |
| 2 | 0.900.0082.4 | 2 | screw m 20 p.1.5 |
| 3 | 0.900.0965.7 | 1 | small pin |
| 4 | 0.900.0502.5 | 2 | pin |
| 5 | 0.900.0082.7 | 2 | screw m 4 x 10 |
| 7 | 0.900.0865.2 | 1 | cover |
| 8 | 0.900.0082.9 | 16 | screw m 14 x 35 |
| 9 | 0.900.1416.4 | 1 | fork sx/lh/li |
| 10 | 0.900.0105.8 | 4 | nut m 14 |
| 11 | 0.900.1536.7 | 2 | screw |
| 12 | 0.900.0083.3 | 2 | nut m 20 p.1 |
| 13 | 0.900.0083.4 | 2 | pin |
| 14 | 0.900.0083.5 | 2 | grease gun m 6 p.1, 45° |
| 15 | 0.900.0542.4 | 1 | grease gun m 6 p.1 |
| 16 | 0.900.1575.6 | 1 | stem |
| 17 | 0.900.1575.7 | 1 | gasket set |
| 18 | 0.900.0083.9 | 2 | oil seal 56x80x13/14,5 |
| 19 | 0.900.0084.0 | 1 | cap dx/rh/re |
| 20 | 0.900.0084.1 | 2 | circlip |
| 21 | 0.900.0084.2 | 2 | bearing |
| 22 | 0.900.0084.3 | 2 | spacer |
| 23 | 0.900.1416.5 | 2 | rod |
| 24 | 0.900.0647.3 | 2 | joint |
| 25 | 0.900.0084.6 | 2 | nut m 24x10 |
| 26 | 0.900.0644.8 | 2 | rod |
| 27 | 0.900.0791.2 | 6 | screw m18x70 |
| 28 | 0.900.1575.8 | 1 | jack |
| 29 | 0.900.0085.0 | 8 | plug |
| 30 | 0.900.0961.2 | 1 | small block |
| 31 | 0.900.0112.6 | 1 | breather m10 p.1 |
| 32 | 0.900.0948.6 | 2 | screw m 14 |
| 33 | 0.900.0948.7 | 4 | bush |



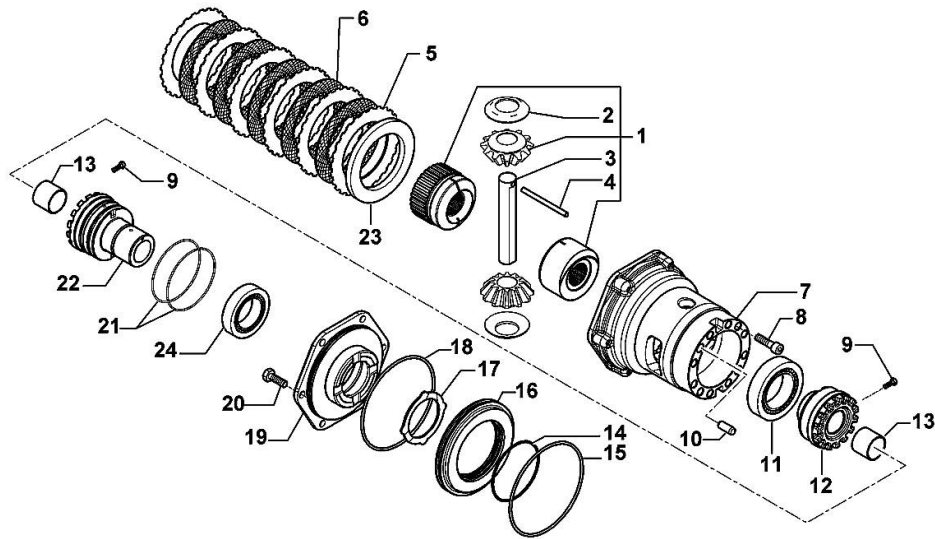
BEVEL WHEEL GEAR - 380999

| Fig. | P/n | QTY | Name |
|------|--------------|-----|-------------------------|
| 1 | 0.900.0085.4 | 1 | bevel drive Z = 14/37 |
| 2 | 0.900.0085.5 | 1 | ring nut m 40 p.1.5 |
| 3 | 0.900.0085.6 | 1 | washer |
| 4 | 0.900.0085.7 | 2 | washer |
| 5 | 0.900.0085.8 | 1 | spacer |
| 6 | 0.900.0085.9 | | shim mm 2.50 |
| 6 | 0.900.0086.0 | | shim mm 2.60 |
| 6 | 0.900.0086.1 | | shim mm 2.70 |
| 6 | 0.900.0086.2 | | shim mm 2.80 |
| 6 | 0.900.0086.3 | | shim mm 2.90 |
| 6 | 0.900.0086.4 | | shim mm 3.00 |
| 6 | 0.900.0086.5 | | shim mm 3.10 |
| 6 | 0.900.0086.6 | | shim mm 3.20 |
| 6 | 0.900.0086.7 | | shim mm 3.30 |
| 6 | 0.900.0086.8 | | shim mm 3.40 |
| 7 | 0.900.0086.9 | 2 | bearing |
| 8 | 0.900.0087.0 | 1 | oil seal 35x92/98x13/27 |
| 9 | 0.900.0087.1 | 2 | circlip d = 35 |
| 10 | 0.900.0965.8 | 1 | flange |
| 11 | 0.900.0960.9 | 2 | screw |
| 12 | 0.900.0961.0 | 2 | nut |



0.018.2550.4/20_2

Section: F0 - FRONT AXLE
DIFFERENTIAL - 380999

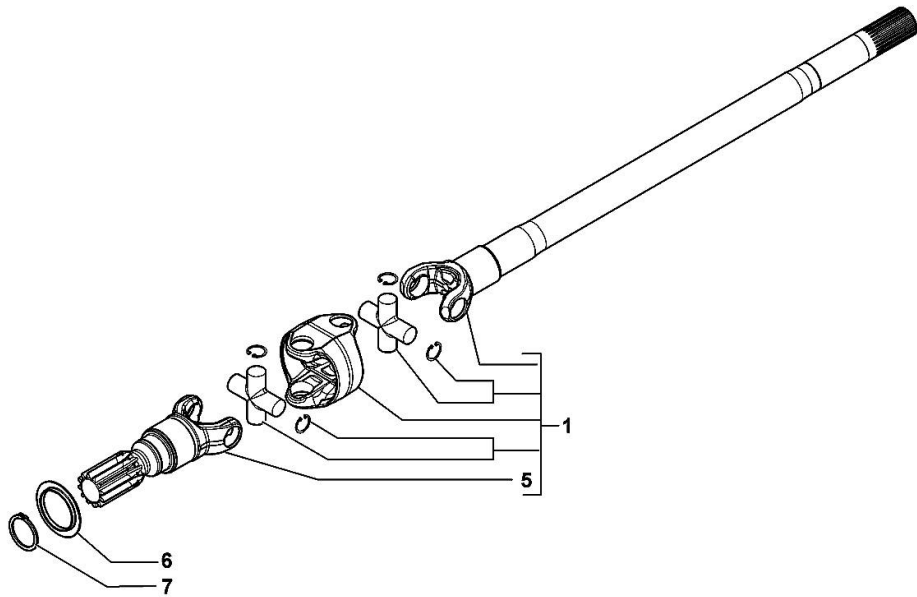


0.018.2550.4/20_3

| Fig. | P/n | QTY | Name |
|------|--------------|-----|-------------------------|
| 1 | 0.900.0966.2 | 1 | differential lock - KIT |
| 2 | 0.900.0087.4 | 2 | slewing ring |
| 3 | 0.900.0087.5 | 1 | pin |
| 4 | 0.900.0087.6 | 1 | pin D7x91 |
| 5 | 0.900.0087.7 | 6 | disc |
| 6 | 0.900.0087.8 | 5 | disc |
| 7 | 0.900.0087.9 | 1 | differential carrier |
| 8 | 0.900.0088.0 | 10 | screw m 12 x 35 |
| 9 | 0.900.0088.1 | 2 | screw m 6 x 25 |
| 10 | 0.900.0088.3 | 2 | pin Ø 12 x 28 |
| 11 | 0.900.0088.4 | 2 | bearing |
| 12 | 0.900.0088.5 | 1 | ring nut M94x1.5 |
| 12 | 0.900.0088.6 | 2 | bushing |
| 14 | 0.900.0088.7 | 1 | oil seal |
| 15 | 0.900.0088.8 | 1 | oil seal |
| 16 | 0.900.0088.9 | 1 | piston |
| 17 | 0.900.0089.0 | 1 | disc |
| 18 | 0.900.0089.1 | 1 | oil seal |
| 19 | 0.900.0952.0 | 1 | cover - KIT |
| 20 | 0.900.0089.3 | 6 | screw m 10 x 35 |
| 21 | 0.900.0089.8 | 2 | oil seal |
| 22 | 0.900.0089.9 | 1 | ring nut m 94 p.1.5 |
| 23 | 0.900.0090.0 | 1 | disc |
| 24 | 0.900.0090.1 | 1 | bearing |

DOUBLE COUPLING - 380999

| Fig. | P/n | QTY | Name |
|------|--------------|-----|----------------|
| 1 | 0.900.1416.8 | 1 | joint sx/lh/li |
| 1 | 0.900.1536.8 | 1 | joint dx/rh/re |
| 5 | 0.900.0090.8 | 2 | fork |
| 6 | 0.900.0090.9 | 2 | cover |
| 7 | 0.900.0091.0 | 2 | circlip |



0.018.2550.4_10_4



Suggest:

For more complete manuals. Please go to the home page.

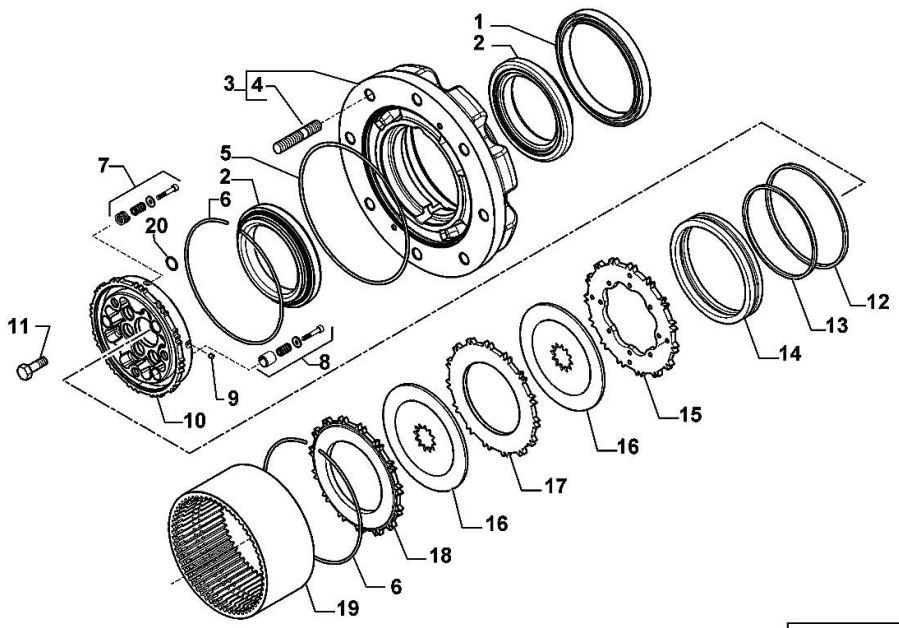
<https://www.ebooklibonline.com>

If the above button click is invalid. Please download this document first, and then click the above link to download the complete manual.

Thank you so much for reading

WHEEL HUB - WITH FRONT BRAKES - 380999

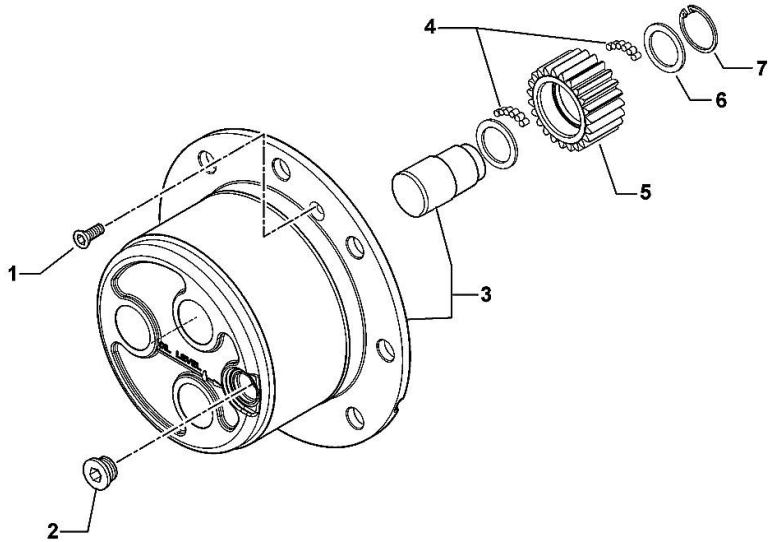
| Fig. | P/n | QTY | Name |
|------|--------------|-----|-----------------------|
| 1 | 0.900.0091.1 | 2 | oil seal 155x180x14,5 |
| 2 | 0.900.1360.6 | 4 | bearing |
| 3 | 0.900.1416.9 | 2 | wheel hub |
| 4 | 0.900.0091.4 | 16 | stud bolt |
| 5 | 0.900.1417.0 | 2 | oil seal |
| 6 | 0.900.0091.6 | 4 | circlip |
| 7 | 0.900.0116.9 | 2 | screw - KIT |
| 8 | 0.900.0116.8 | 2 | screw - KIT |
| 9 | 0.900.0117.0 | 4 | rivet |
| 10 | 0.900.1536.9 | 2 | hub |
| 11 | 0.900.0091.8 | 16 | screw m 12 x 45 |
| 12 | 0.900.1417.2 | 2 | oil seal |
| 13 | 0.900.1417.3 | 2 | oil seal |
| 14 | 0.900.0116.4 | 2 | piston |
| 15 | 0.900.0116.3 | 2 | brake disc |
| 16 | 0.900.0116.1 | 4 | brake disc |
| 17 | 0.900.0116.2 | 2 | brake disc |
| 18 | 0.900.0116.0 | 2 | clutch plate |
| 19 | 0.900.1417.6 | 2 | crown wheel Z = 60 |
| 20 | 0.900.0112.8 | 2 | ring |



0.018.2550.4/20_5

PLANETARY GEAR - 380999

| Fig. | P/n | QTY | Name |
|------|--------------|-----|-----------------------|
| 1 | 0.900.0092.0 | 4 | screw m 8 p.1.25 x 20 |
| 2 | 0.900.0092.1 | 2 | plug m 30 p.2 |
| 3 | 0.900.1417.8 | 2 | spider |
| 4 | 0.900.0092.3 | 34 | roller |
| 5 | 0.900.0092.4 | 6 | gear Z = 23 |
| 6 | 0.900.0092.5 | 6 | slewing ring |
| 7 | 0.900.0092.6 | 6 | circlip |



0.018.2550.4/20_6

<https://www.ebooklibonline.com>

Hello dear friend!

Thank you very much for reading.

Enter the link into your browser.

The full manual is available for immediate download.

<https://www.ebooklibonline.com>