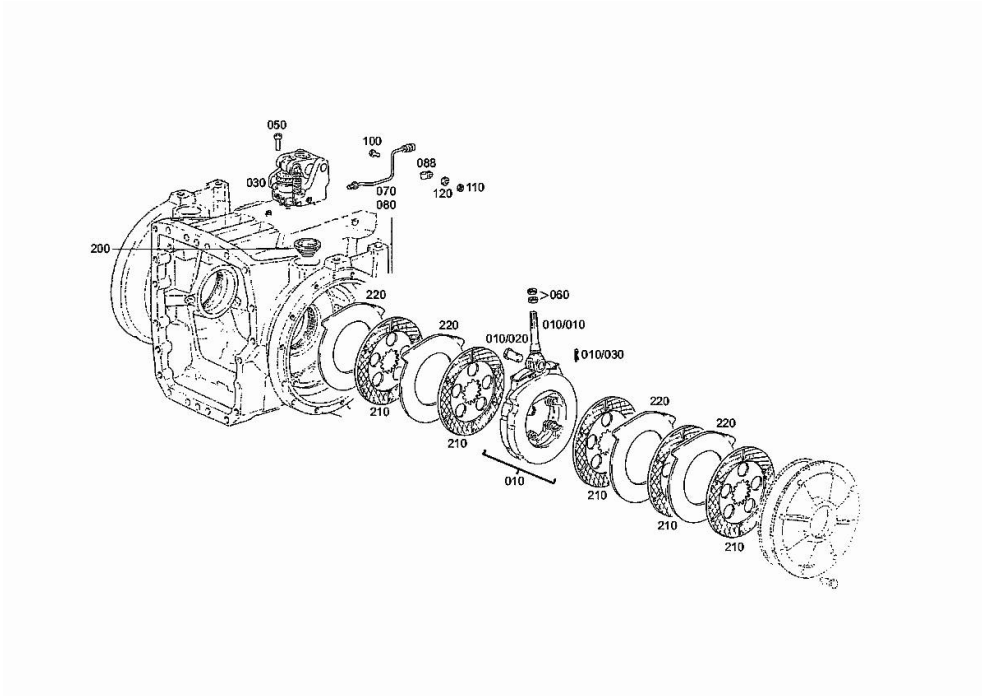


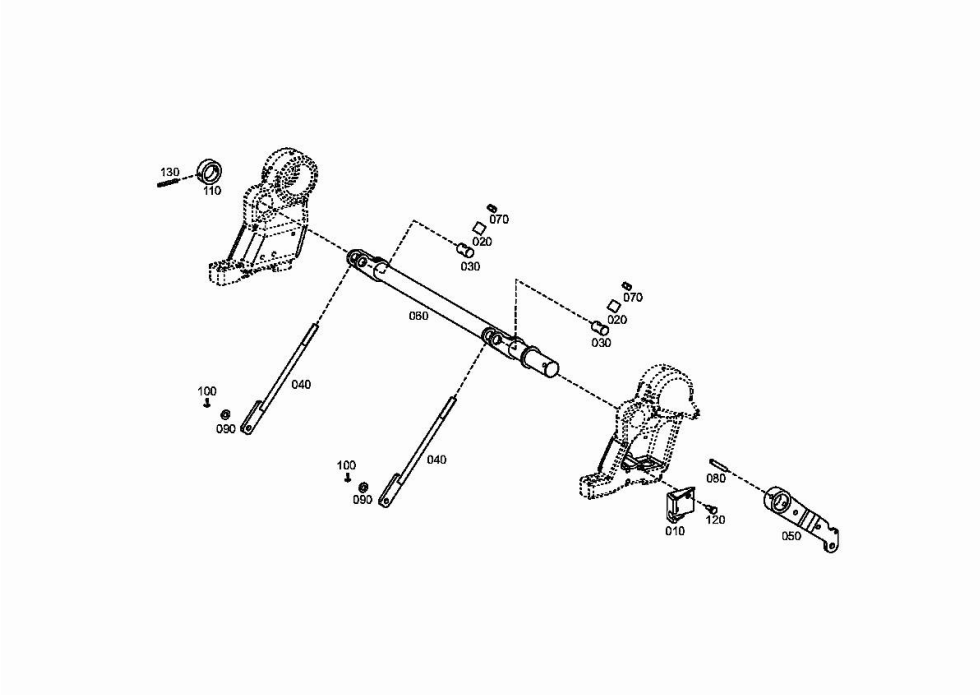
SERVICE BRAKES 2093 009 118

Fig.	P/n	QTY	Name
10	0.900.0800.4	2	transmission brake
10.10	04428551	1	rod
10.20	04435740	1	pin
10.30	04435741	1	split pin
30	0.900.0800.5	2	operation
50	0.900.0469.7	6	screw m 10 x 40
60	04434557	4	nut m 14 p.1.5
70	04428545	1	tube sx/lh/li
80	04428546	1	piping dx/rh/re
88	0.900.0468.2	2	clamp 6x12
100	0.900.0280.1	2	screw m 5 x 25
110	0.900.0470.2	2	nut m 5
120	0.900.0281.6	2	nut
200	0.900.0800.9	2	rubber bushing
210	0.900.0801.2	10	disc
220	0.900.0801.3	8	disc



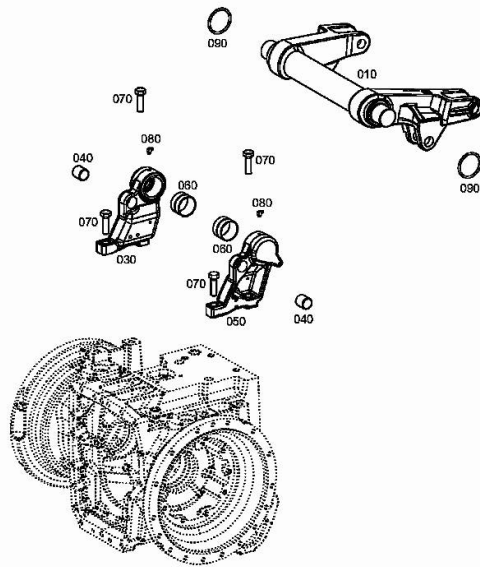
BRAKE CONTROLS 2093 009 118

Fig.	P/n	QTY	Name
10	0.900.1239.7	1	bracket
20	0.900.1239.8	2	tube
30	0.900.1239.9	2	pin
40	0.900.1240.0	2	rod
50	0.900.1240.1	1	lever
60	0.900.1240.2	1	shaft
70	0.900.0281.9	2	nut m 12
80	0.010.3459.1	1	roll pin
90	0.900.0466.9	2	washer
100	0.900.0468.1	2	split pin 3.2x18
110	0.900.1240.3	1	spacer
120	0.900.0469.4	3	screw m 8 p.1.25 x 20
130	0.010.2901.1	1	pin 6x50



LIFTING 2093 009 118

Fig.	P/n	QTY	Name
10	0.900.0883.4	1	shaft
30	0.900.1407.9	1	bearing block dx/rh/re
40	0.900.1431.3	2	bearing
50	0.900.1408.0	1	bearing block sx/lh/li
60	04417549	2	special bushing
70	0.900.0469.1	4	screw m 20x65
80	04427636	2	grease gun m 8 p.1 x 8
90	04417552	2	ring 78.5x6



<https://www.ebooklibonline.com>

Hello dear friend!

Thank you very much for reading.

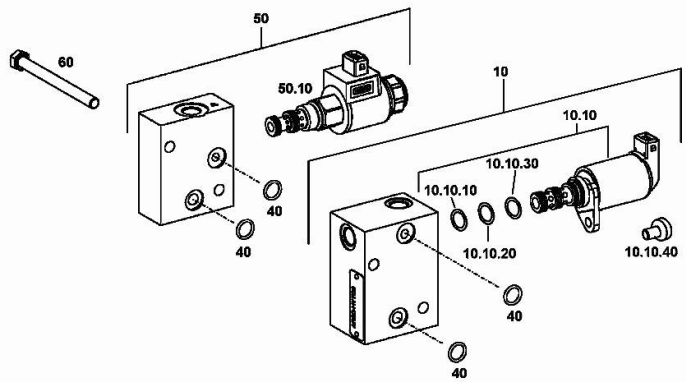
Enter the link into your browser.

The full manual is available for immediate download.

<https://www.ebooklibonline.com>

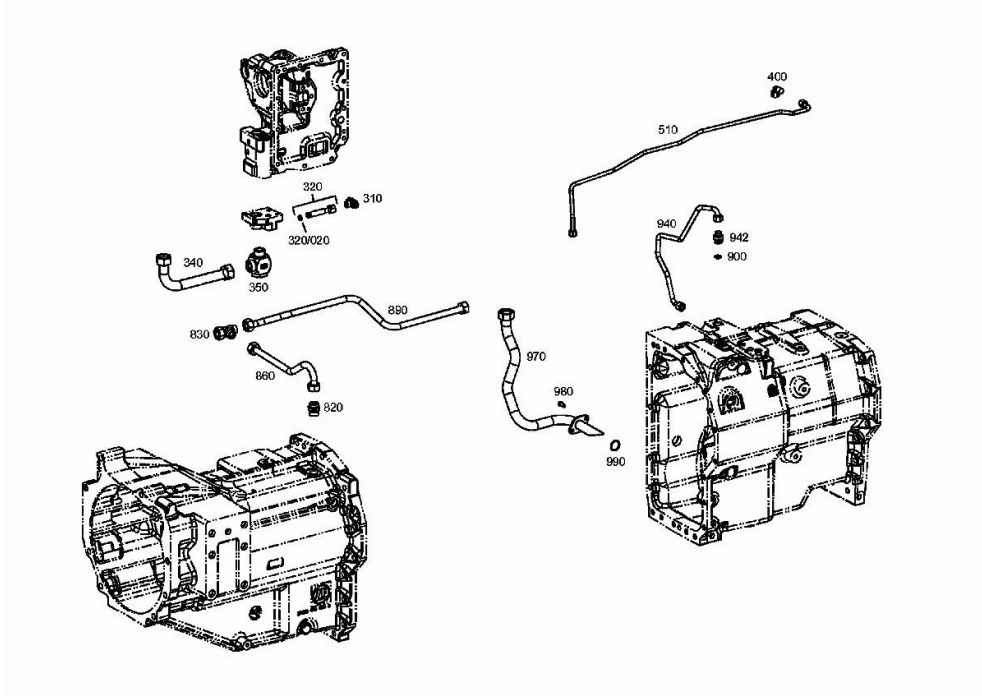
DRIVE FOR GEAR CHANGE BOX 2093 009 118

Fig.	P/n	QTY	Name
10	0.900.0952.1	1	control
10.10	0.900.0952.8	1	solenoid valve DV
10.10.10	0.900.1377.5	1	gasket 12,4 x 1,78
10.10.20	0.900.1377.6	1	gasket 13 x 1.5
10.10.30	0.900.1377.7	1	gasket 14x1.78
10.10.40	0.900.1377.8	1	screw m 8 x 16
40	0.900.0801.4	4	ring 11,3 x 2,4 NBR-70-10
50	0.900.1363.3	1	small block
50.10	0.900.1384.6	1	solenoid valve
60	0.900.1363.4	2	screw



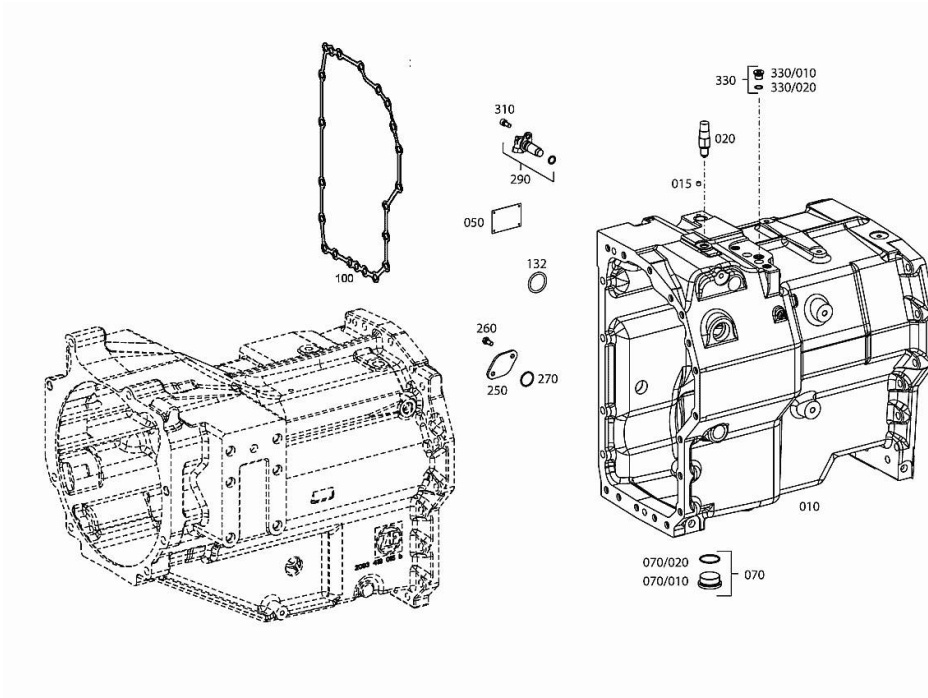
Section: D0 - TRANSMISSION
OIL SUPPLY 2093 009 118

Fig.	P/n	QTY	Name
310	0.900.1362.6	1	straight union
320	0.010.2877.1	1	tube
320.20	04415958	1	oil seal 10x2.5
340	0.010.3264.1	1	pipng
350	0.010.3842.1	1	threaded joint
400	0.010.2877.2	1	pipe fitting EEL 10
510	0.010.3101.2	1	tube
820	0.010.2878.2	1	pipe fitting
830	0.010.2879.0	1	pipe fitting
860	0.010.2880.0	1	tube
890	0.900.0487.7	1	tube
900	04438451	1	small mesh
940	0.900.0954.2	1	tube
942	0.010.3805.0	1	vent
970	0.900.1462.2	1	tube kpl.
980	04434497	2	screw m 8 x 18
990	0.010.3257.2	1	gasket 28x2.5



GEARBOX 2093 009 099

Fig.	P/n	QTY	Name
10	0.900.0487.9	1	gear box (...) <-
10	0.900.0954.7	1	gear box > (...)
15	0.900.0952.5	1	plug
20	04416066	1	switch
50	04415260	1	plate
70	04435197	1	plug
70.10	04438472	1	plug m 42 p.1.5
70.20	02315144	1	oil seal 38x2.5
100	04415679	1	gasket (...) <-
132	0.010.2845.2	1	oil seal 38x4
250	0.010.3257.1	1	flange
260	04434497	2	screw m 8 x 18
270	0.010.3257.2	1	gasket 28x2.5
290	04438450	1	speed sensor L = 53,0mm
290.10	04417747	1	oil seal 15.54x2.62
310	0.010.2875.0	1	screw m 8 x 18
330	04435199	1	screw
330.10	04436330	1	screw m 16 p.1.5
330.20	02315162	1	oil seal 13x2



Section: D0 - TRANSMISSION
LAYSHAFT 2093 009 099

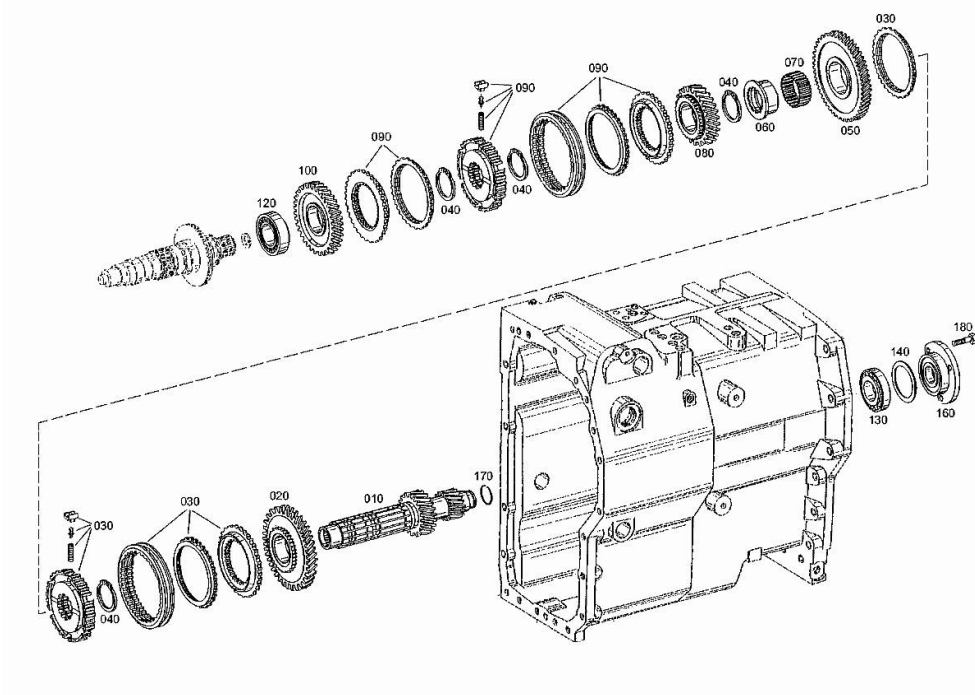
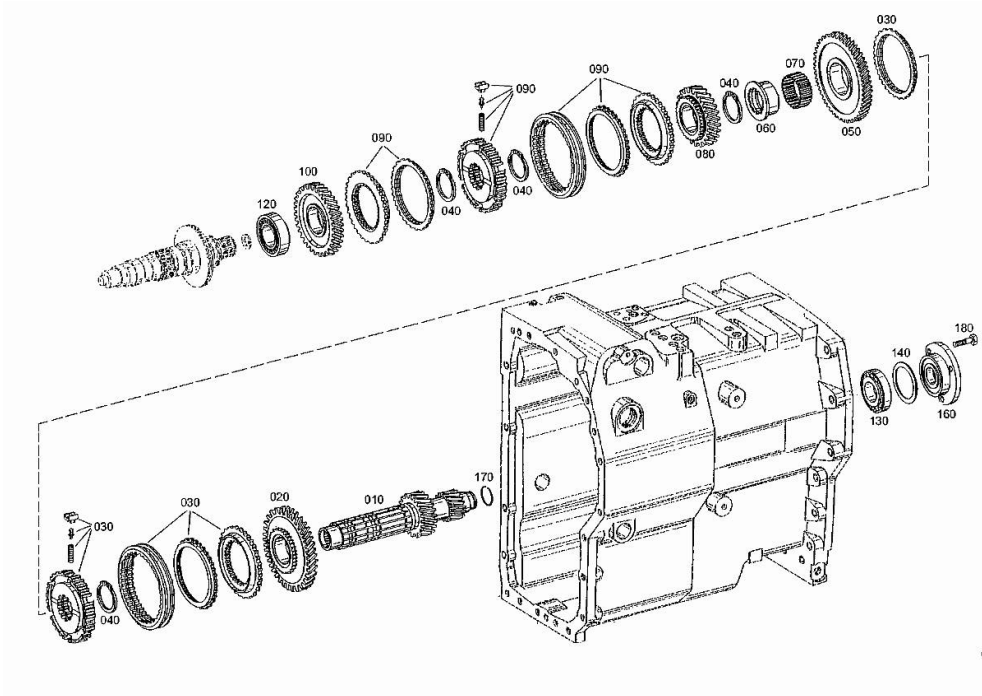


Fig.	P/n	QTY	Name
10	04435202	1	shaft
20	0.900.1380.7	1	gear Z = 47 -> (...)
20	04427597	1	wheel z=47 (...) <-
30	0.900.0881.6	1	lock synchronizer
40	04415687	4	circlip
50	0.900.0954.8	1	gear (...) <-
50	0.900.1380.8	1	gear Z = 58 -> (...)
60	0.900.1379.6	1	bush
60	04417177	1	bush L = 32.3
60	04417178	1	bush L = 32.4
60	04417179	1	bush L = 32.5
60	04417180	1	bush L = 32.6
60	04417181	1	bush L = 32.7
60	04417182	1	bush L = 32.8
70	0.010.2849.1	1	roller cage
80	0.900.1380.6	1	gear -> (...)
80	04415690	1	gear z = 30/3G (...) <-
90	0.900.0881.7	1	lock synchronizer
100	0.900.0071.0	1	gear
120	0.010.3759.0	1	roller bearing -> (...)
120	04427599	1	roller bearing (...) <-
130	04416363	1	roller bearing
140	0.900.1378.1	1	shim
140	02965988	1	shim mm 2.40
140	04334537	1	shim mm 2.60
140	04334538	1	shim mm 2.55
140	04334539	1	shim mm 2.50
140	04334540	1	shim mm 2.45
140	04334541	1	shim mm 2.35
140	04334542	1	shim mm 2.30
140	04334543	1	shim mm 2.25
140	04334544	1	shim mm 2.20
140	04334545	1	shim mm 2.15
140	04334546	1	shim mm 2.10
140	04334547	1	shim mm 2.05
140	04334548	1	shim mm 2.00

LAYSHAFT 2093 009 099

Fig.	P/n	QTY	Name
140	04334549	1	shim mm 1.95
140	04334550	1	shim mm 1.90
140	04334551	1	shim mm 1.85
140	04334552	1	shim mm 1.80
140	04334553	1	shim mm 1.75
140	04334554	1	shim mm 1.70
140	04433184	1	shim mm 1.65
140	04433185	1	shim mm 1.60
140	04436332	1	shim mm 1.725
140	04436333	1	shim mm 1.775
140	04436334	1	shim mm 1.875
140	04436335	1	shim mm 1.925
140	04436336	1	shim mm 1.975
160	04415760	1	cover
170	04415761	1	ring 35x2
180	0.010.2616.1	3	screw m 10x32



Section: D0 - TRANSMISSION
MAIN SHAFT 2093 009 099

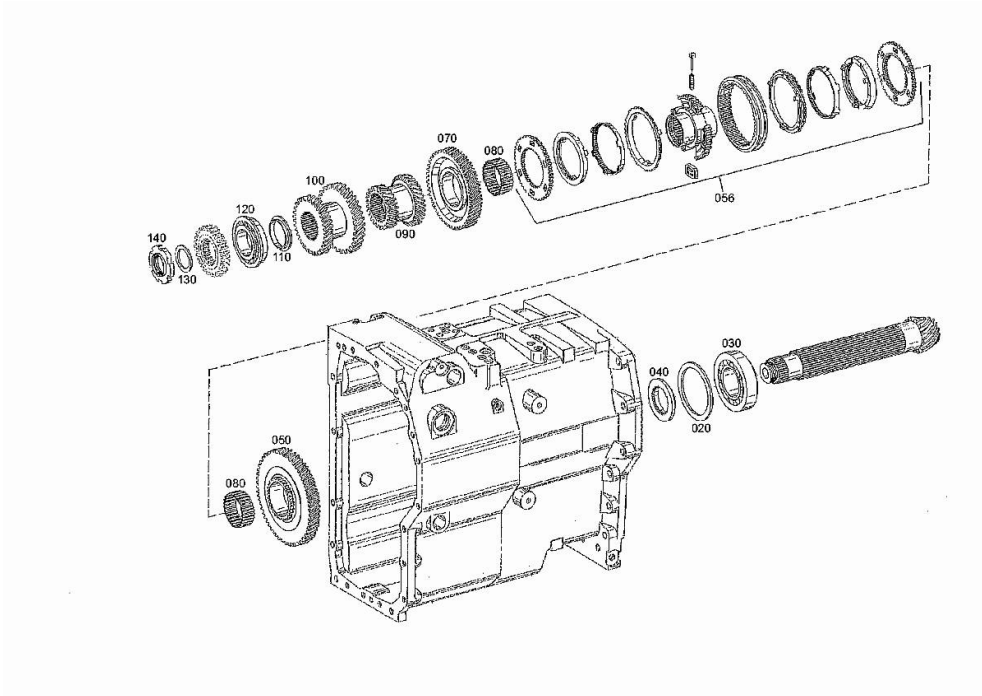
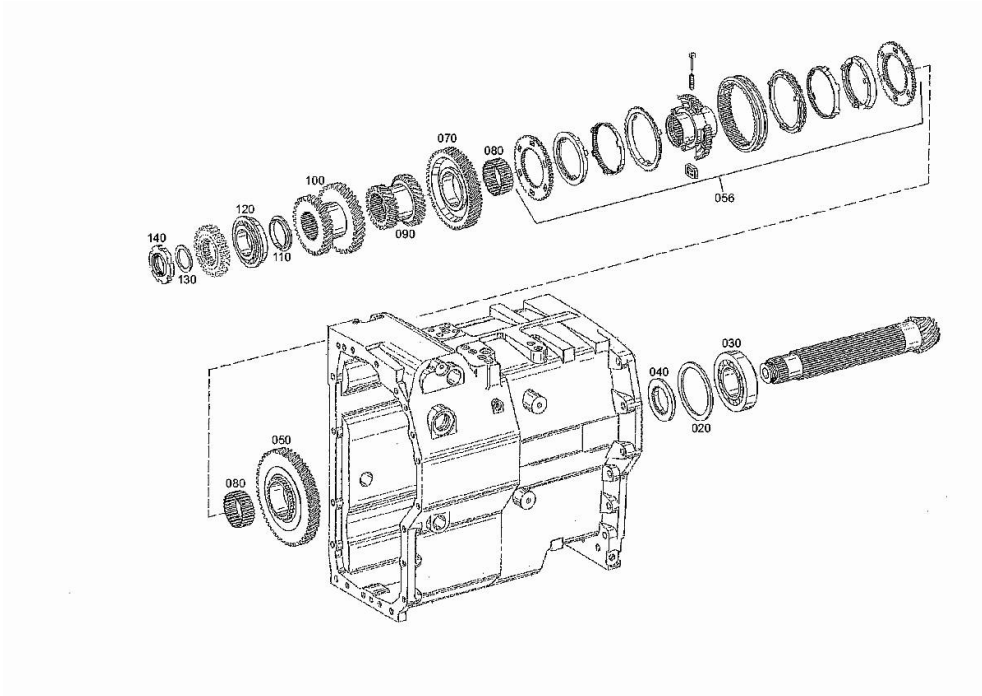


Fig.	P/n	QTY	Name
20	0.010.2849.2	1	shim s = 3.75
20	0.010.2850.0	1	shim s = 3.70
20	0.010.2850.1	1	shim s = 3.65
20	0.010.2850.2	1	shim s = 3.60
20	0.010.2851.0	1	shim s = 3.55
20	0.010.2851.1	1	shim s = 3.50
20	0.010.2851.2	1	shim s = 3.45
20	0.010.2852.0	1	shim s = 3.40
20	0.010.2852.1	1	shim s = 3.76
20	0.010.2852.2	1	shim s = 3.77
20	0.010.2853.0	1	shim s = 3.78
20	0.010.2853.1	1	shim s = 3.79
20	0.010.2853.2	1	shim s = 3.81
20	0.010.2854.0	1	shim s = 3.82
20	0.010.2854.1	1	shim s = 3.83
20	0.010.2854.2	1	shim s = 3.84
20	0.010.2855.0	1	shim S = 3.86
20	0.010.2855.1	1	shim s = 3.87
20	0.010.2855.2	1	shim s = 3.88
20	0.010.2856.0	1	shim s = 3.89
20	0.010.2856.1	1	shim s = 3.91
20	0.010.2856.2	1	shim s = 3.92
20	0.010.2857.0	1	shim s = 3.93
20	0.010.2857.1	1	shim s = 3.94
20	0.900.1378.6	1	shim
20	04417170	1	shim s = 3.95
20	04417171	1	shim s = 3.9
20	04417172	1	shim s = 3.85
20	04417173	1	shim s = 3.8
20	04417174	1	shim s = 4.0
20	04417175	1	shim s = 4.05
20	04417176	1	shim s = 4.10
30	04416073	1	roller bearing
40	04416074	1	shim
50	0.900.1381.1	1	gear Z = 75 -> (...)
50	04423721	1	gear V2=Y (...) <-
56	0.010.3840.2	1	lock synchronizer
70	0.900.1380.9	1	gear z = 57 -> (...)
70	04427568	1	gear V2=Y (...) <-
80	04427570	2	roller cage

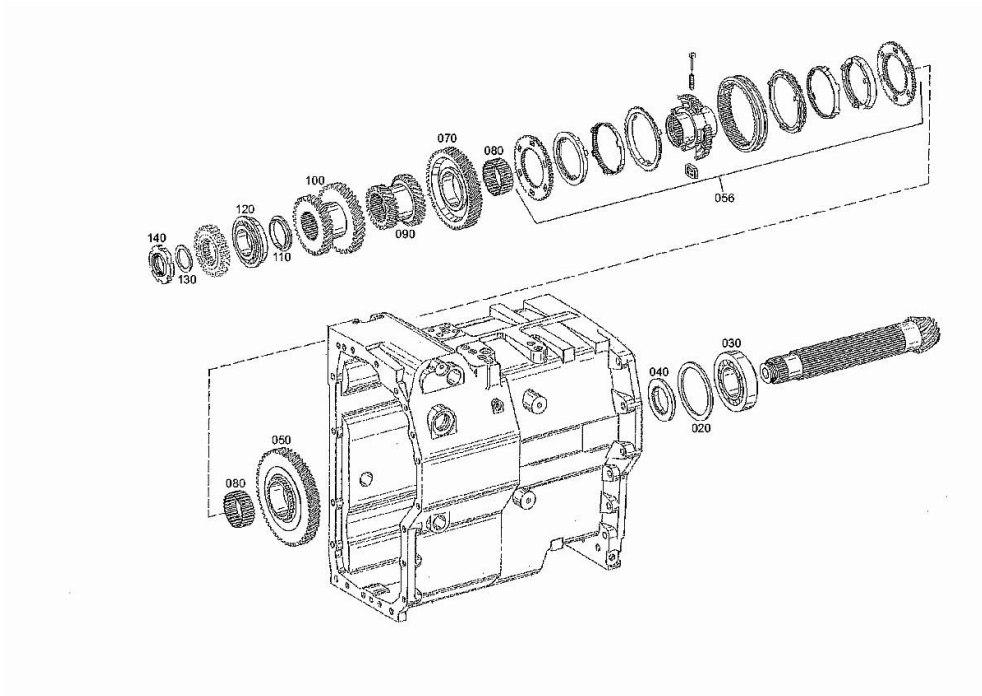
Section: D0 - TRANSMISSION
MAIN SHAFT 2093 009 099

Fig.	P/n	QTY	Name
90	0.010.3258.1	1	gear Z = 25 (...) <-
90	0.900.1381.2	1	gear Z = 31 -> (...)
100	0.900.1381.0	1	gear z=39/41 -> (...)
100	04427571	1	gear wheel z=39/41 (...) <-
110	0.010.2858.0	1	shim s = 10.25
110	0.010.2858.1	1	shim s = 10.45
110	0.010.2858.2	1	shim s = 10.50
110	0.010.2859.0	1	shim s = 10.55
110	0.010.2859.1	1	shim s = 10.60
110	0.900.1378.7	1	shim
110	04417159	1	shim s = 10.4
110	04417160	1	shim s = 10.3
110	04417161	1	shim s = 10.2
110	04417162	1	shim s = 10.1
110	04417163	1	shim s = 10.0
110	04417164	1	shim s = 9.9
110	04417165	1	shim s = 9.8
110	04417166	1	shim s = 9.7
110	04417167	1	shim s = 9.6
110	04424444	1	shim s = 9.85
110	04424445	1	shim s = 9.95
110	04424446	1	shim s = 10.05
110	04424447	1	shim s = 10.15
110	04435222	1	shim s = 10.35
120	04416082	1	roller bearing
130	0.010.2859.2	1	shim s = 3.75
130	0.010.2860.0	1	shim s = 3.80
130	0.010.2860.1	1	shim s = 3.85
130	0.010.2860.2	1	shim s = 3.90
130	0.010.2861.0	1	shim s = 3.95
130	0.010.2861.1	1	shim s = 4.00
130	0.900.1378.8	1	shim
130	04417146	1	shim s = 3.4
130	04417147	1	shim s = 3.35
130	04417148	1	shim s = 3.3
130	04417149	1	shim s = 3.25
130	04417150	1	shim s = 3.2
130	04417151	1	shim s = 3.15
130	04417152	1	shim s = 3.1
130	04417153	1	shim s = 3.45



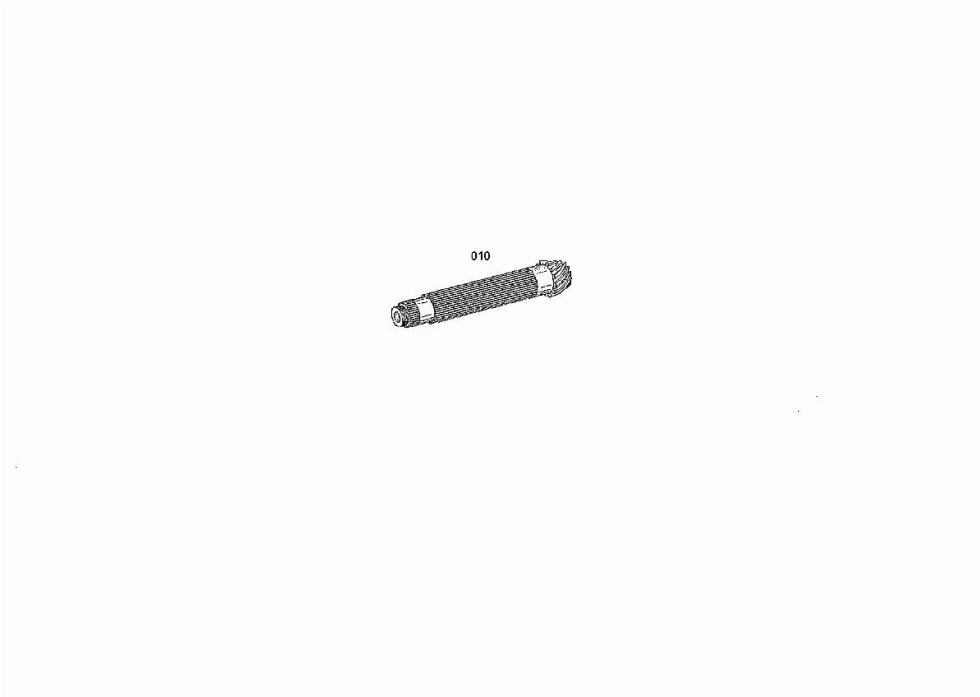
Section: D0 - TRANSMISSION
MAIN SHAFT 2093 009 099

Fig.	P/n	QTY	Name
130	04417154	1	shim s = 3.50
130	04417155	1	shim s = 3.55
130	04417156	1	shim s = 3.60
130	04417157	1	shim s = 3.65
130	04417158	1	shim s = 3.70
130	04424442	1	shim s = 2.90
130	04424443	1	shim s = 3.00
140	04415763	1	ring nut



MAIN SHAFT 2093 009 099

Fig.	P/n	QTY	Name
10	0.900.1385.8	1	shaft -> (...)
10	04415764	1	main shaft Z = 12 (...) <-



GEARSHIFT LEVER 2093 009 099

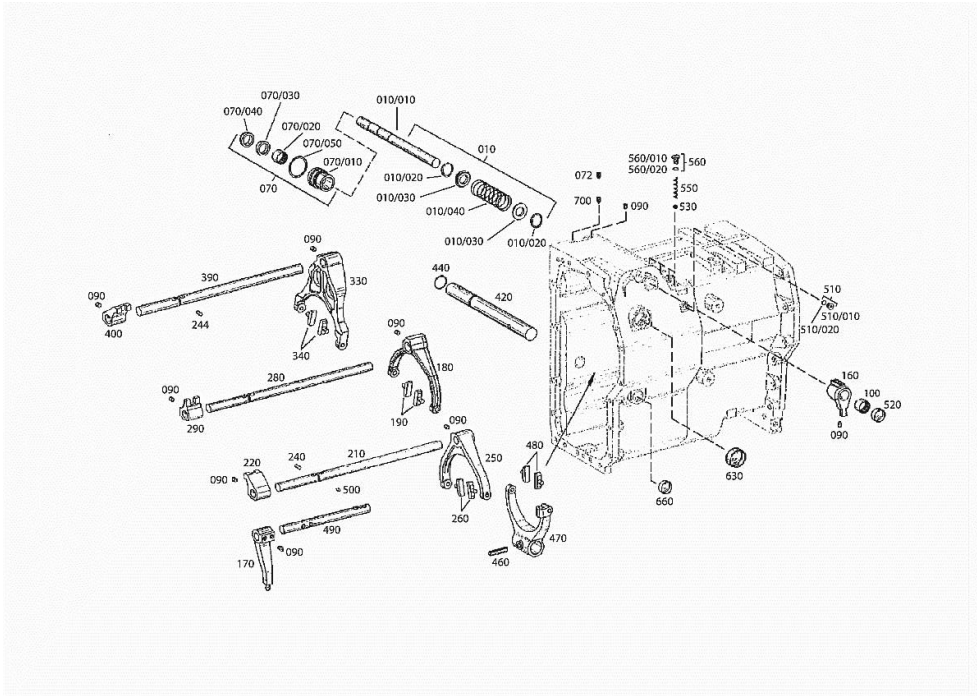


Fig.	P/n	QTY	Name
10	0.010.2861.2	1	rod
10.10	04423794	1	rod
10.20	04415766	2	circlip
10.30	04427574	2	washer
10.40	04416140	1	spring
70	0.010.2862.0	1	bushing
70.10	04415769	1	bush
70.20	04415772	1	bearing
70.30	04415773	1	oil seal 25x35x7
70.40	04415774	1	oil seal AS 25x35x7x10
70.50	04416048	1	oil seal 37x3
72	01272647	1	stud bolt L = 13.7
90	01272647	16	stud bolt L = 13.7
100	04415772	1	bearing
160	0.010.3795.2	1	control
170	04415777	1	small lever
180	0.900.0802.4	1	fork
190	04415779	2	shoe
210	0.900.0488.4	1	rod
220	04415781	1	driver
240	04415782	1	pin
244	04415783	1	pin
250	0.900.0802.2	1	fork 3/4
260	04415779	2	shoe
280	0.900.0121.7	1	rod
290	04424424	1	driver A = 4.5
330	0.900.0884.1	1	fork
340	04415779	2	shoe
390	04423250	1	rod
400	04415791	1	driver
420	04419231	1	rod
440	0.010.2862.1	1	oil seal 25x3
460	0.010.2862.2	1	pin 12x45
470	0.900.0802.3	1	fork
480	04415779	2	shoe
490	04415794	1	rod
500	04415795	1	pin
510	0.900.1381.4	1	plug
510.10	0.900.0280.5	1	plug m 10 p.1
510.20	04415683	1	oil seal 8x1.5
520	04433214	1	cover 32
530	04417322	4	ball
550	0.010.2907.1	4	spring
560	04433215	4	plug



Suggest:

For more complete manuals. Please go to the home page.

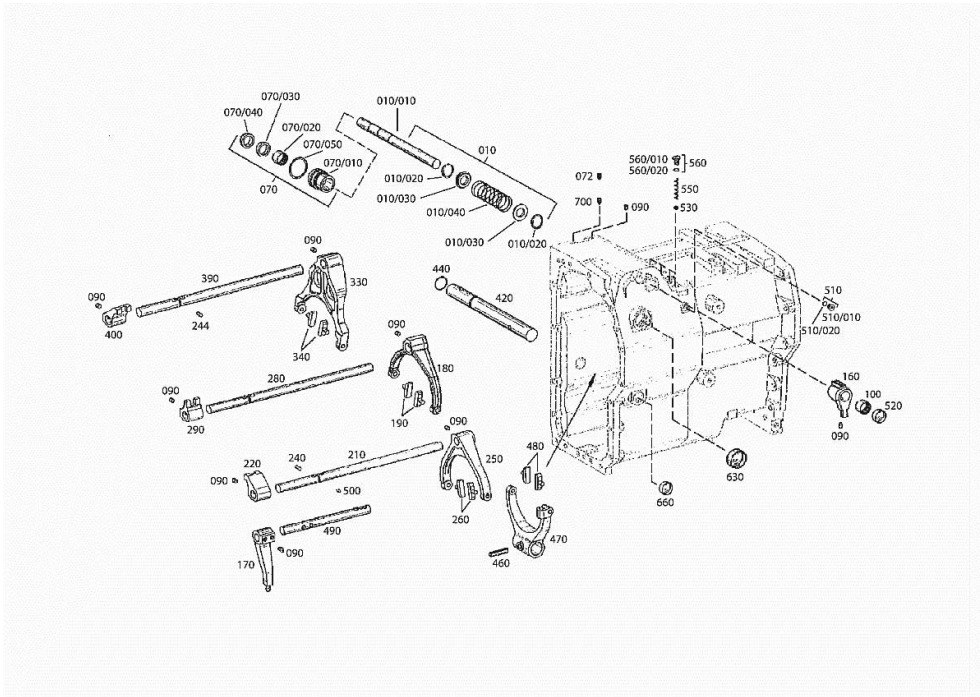
<https://www.ebooklibonline.com>

If the above button click is invalid. Please download this document first, and then click the above link to download the complete manual.

Thank you so much for reading

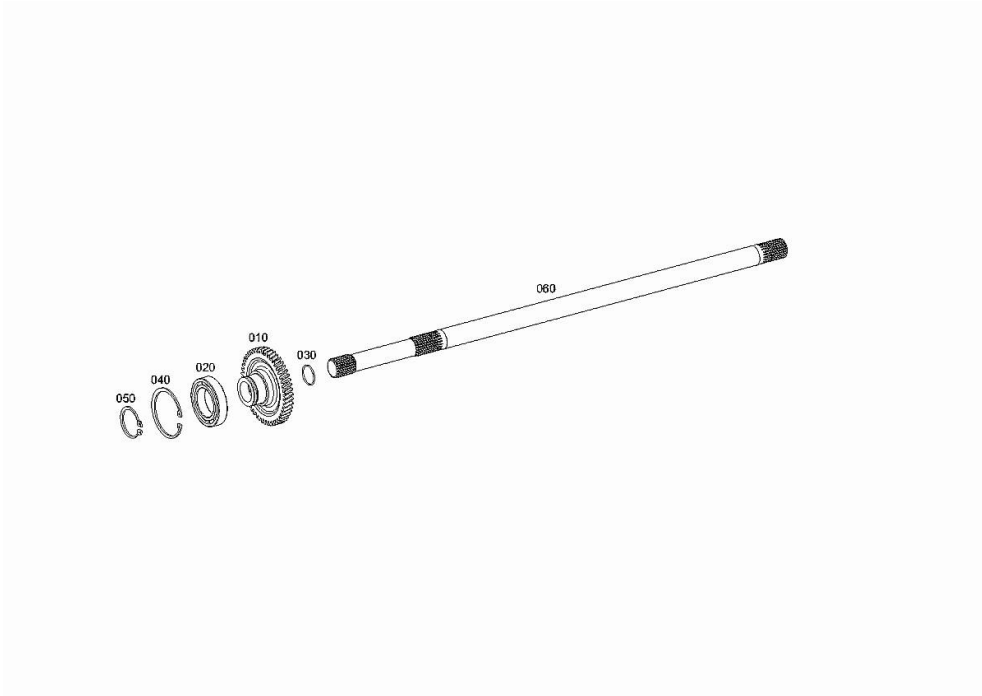
GEARSHIFT LEVER 2093 009 099

Fig.	P/n	QTY	Name
560.10	0.010.2617.3	1	screw m 12 p.1.5
560.20	04415796	1	oil seal 9.5x2
630	01122153	1	cover 42
660	0.010.2863.0	1	cover 30
700	01272647	1	stud bolt L = 13.7



P.T.O. - POWER TAKE OFF 2093 009 099

Fig.	P/n	QTY	Name
10	0.900.0884.3	1	gear Z = 49 (...) <-
10	0.900.0985.6	1	gear -> (...)
20	04415799	1	ball bearing
30	0.010.2863.1	1	circlip 30
40	0.010.2618.0	1	circlip 75x2.5
50	0.010.2863.2	1	circlip 45x2.5
60	0.900.1386.1	1	shaft (...) <-
60	04431732	1	shaft -> (...)



<https://www.ebooklibonline.com>

Hello dear friend!

Thank you very much for reading.

Enter the link into your browser.

The full manual is available for immediate download.

<https://www.ebooklibonline.com>