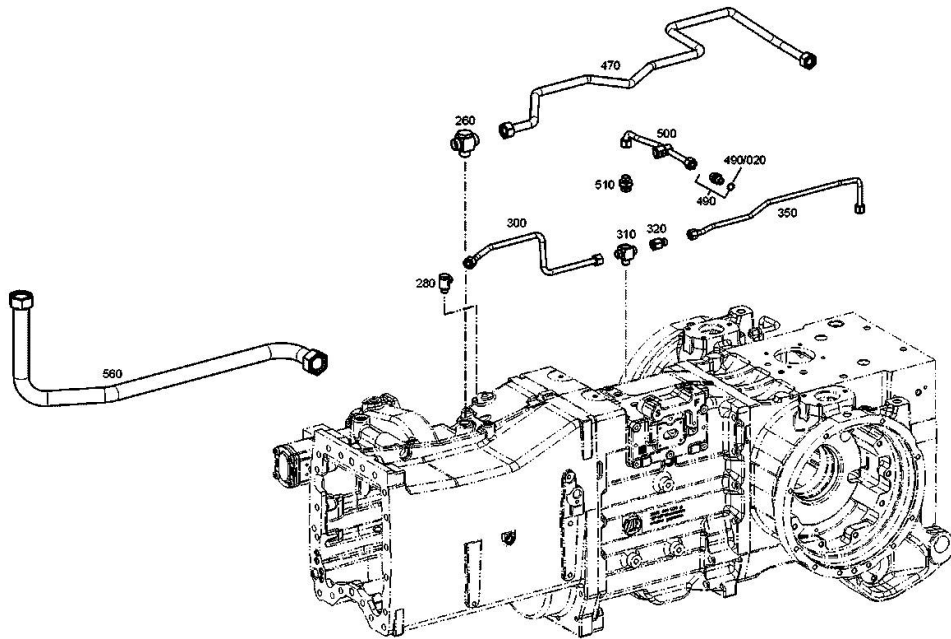


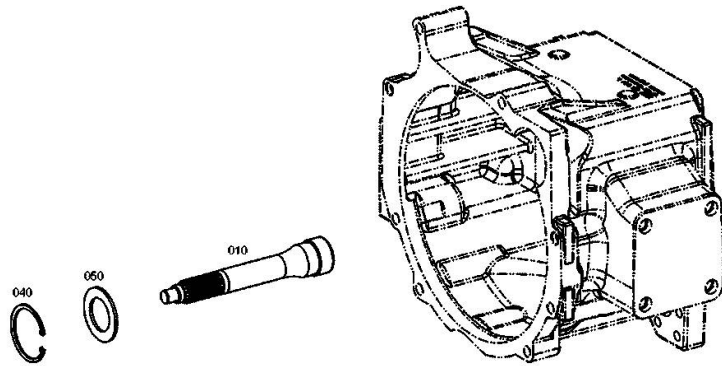
Section: D0 - TRANSMISSION
OIL SUPPLY - 2095 011 003

Fig.	P/n	QTY	Name
260	04416647	1	screw
280	0.900.1362.6	1	straight union
300	0.900.2184.8	1	tube
310	0.900.2244.6	1	vent
320	04417781	1	reduction
350	0.900.2184.9	1	tube
470	0.900.2185.0	1	tube
490	0.900.2185.1	1	pipe union
490.20	02315162	1	oil seal 13x2
500	0.900.2185.2	1	tube
510	0.010.3805.0	1	vent
560	0.900.2246.4	1	tube



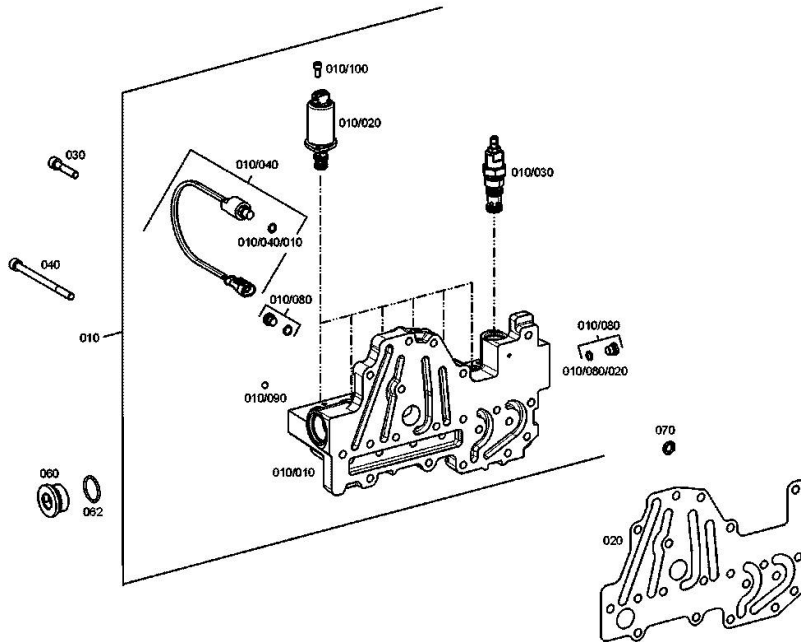
GEARBOX INPUT SHAFT - 2095 011 003

Fig.	P/n	QTY	Name
10	0.900.2185.4	1	shaft
40	0.010.2883.2	1	circlip 85x3
50	04415635	1	washer



HYDRAULIC CONTROL - 2095 011 003

Fig.	P/n	QTY	Name
10	0.900.2048.4	1	hydraulic control block
10.10	0.900.2050.8	1	hydraulic control block
10.20	0.900.2045.8	6	regulator
10.30	0.900.2045.3	1	valve
10.40	04431690	1	pressure switch
10.40.10	04415683	1	oil seal 8x1.5
10.80	0.900.2136.4	7	plug
10.80.20	04415683	1	oil seal 8x1.5
10.90	0.900.2046.5	6	ball Ø mm 7
10.100	04434506	12	screw m 5 x 12
20	0.900.2050.9	1	gasket
30	0.900.2046.8	12	screw m8x40
40	0.900.2046.9	6	screw m8x115
60	0.900.2123.8	1	screw m 33 x 2
62	04415825	1	ring 30x2.5
70	01160038	1	oil seal



<https://www.ebooklibonline.com>

Hello dear friend!

Thank you very much for reading.

Enter the link into your browser.

The full manual is available for immediate download.

<https://www.ebooklibonline.com>

HYDRAULIC CONTROL - 2095 011 003

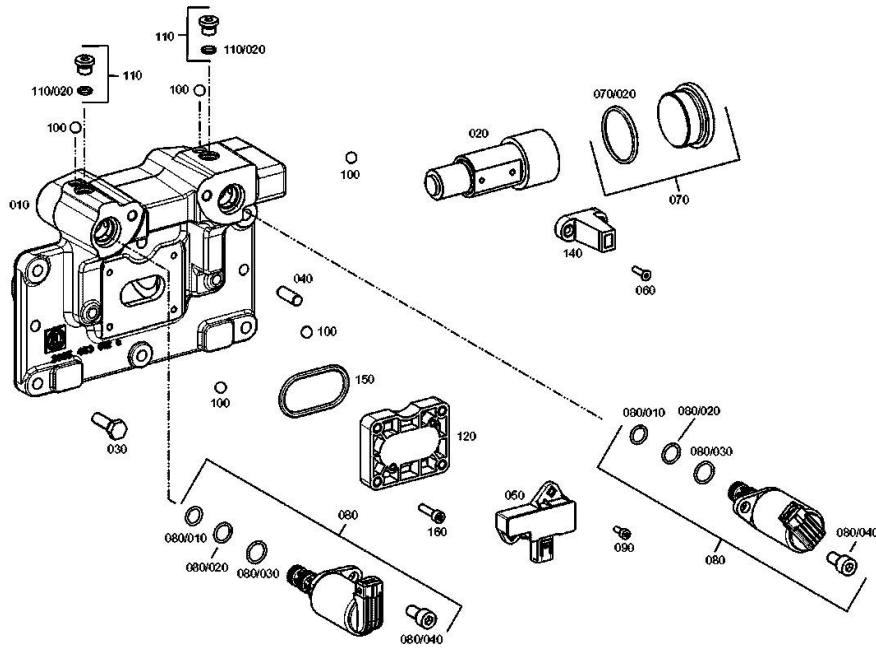
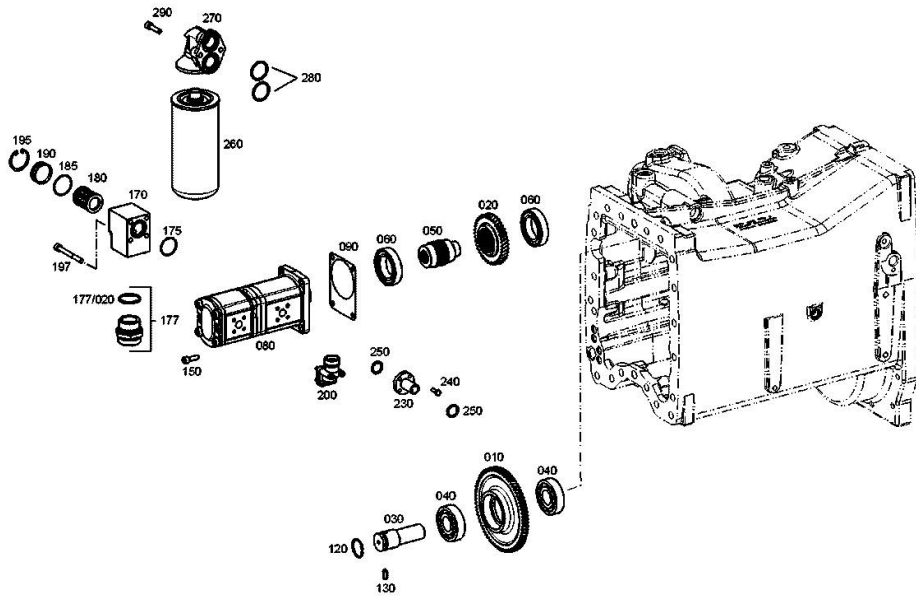


Fig.	P/n	QTY	Name
10	0.900.2185.5	1	box
20	0.900.0957.9	1	piston
30	04434498	6	screw m 8 x 25
40	0.010.3820.1	2	pin m 6 x 20
50	0.900.0277.8	1	position sensor
60	0.900.0470.1	2	screw m 4 x 16
70	0.900.1409.4	1	plug
70.20	02315144	1	oil seal 38x2.5
80	0.900.0952.8	2	solenoid valve DV
80.10	0.900.1377.6	1	gasket 13 x 1.5
80.20	0.900.1377.5	1	gasket 12,4 x 1,78
80.30	0.900.1377.7	1	gasket 14x1.78
80.40	0.900.1377.8	1	screw m 8 x 16
90	0.900.0280.3	2	screw
100	04415909	5	ball
110	0.900.2136.4	2	plug
110.20	04415683	1	oil seal 8x1.5
120	0.900.0286.3	1	cover
140	0.900.0283.7	1	support
150	0.900.0279.1	1	ring
160	0.900.0953.5	4	screw

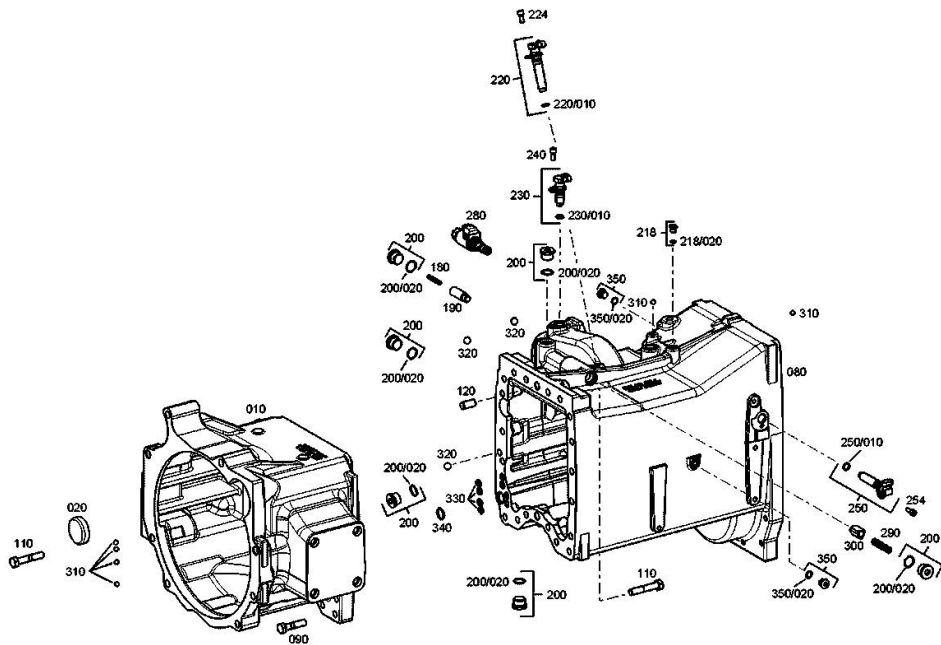
Section: D0 - TRANSMISSION
PUMP DRIVE - 2095 011 003

Fig.	P/n	QTY	Name
10	0.900.1589.2	1	gear wheel
20	0.900.0884.7	1	gear z=39
30	0.900.1589.1	1	shaft
40	0.900.1586.7	2	ball bearing
50	0.900.0488.6	1	bush z=38
60	0.010.2877.0	2	ball bearing
80	0.900.2185.6	1	pump
90	04415921	1	gasket
120	0.900.2185.7	1	ring
130	0.900.1224.7	1	pin 8x20
150	01110576	4	screw
170	0.900.2217.4	1	flange
175	04435234	1	oil seal
177	0.900.2246.5	1	plug
177.20	02315144	1	oil seal 38x2.5
179	01118830	1	oil seal 42x49
180	0.900.2217.5	1	filter
185	0.900.2217.6	1	cover
190	01295723	1	ring
195	0.010.2617.2	1	circlip 42x1.75
197	0.900.2217.7	1	screw
200	0.900.2185.9	1	flange
230	0.900.2186.0	1	flange
240	0.900.2186.1	4	screw
250	0.900.2186.2	2	oil seal
260	0.900.2186.3	1	filter
270	0.900.2186.4	1	head
280	0.900.2186.5	2	oil seal
290	0.010.3821.0	2	screw m 8 x 35



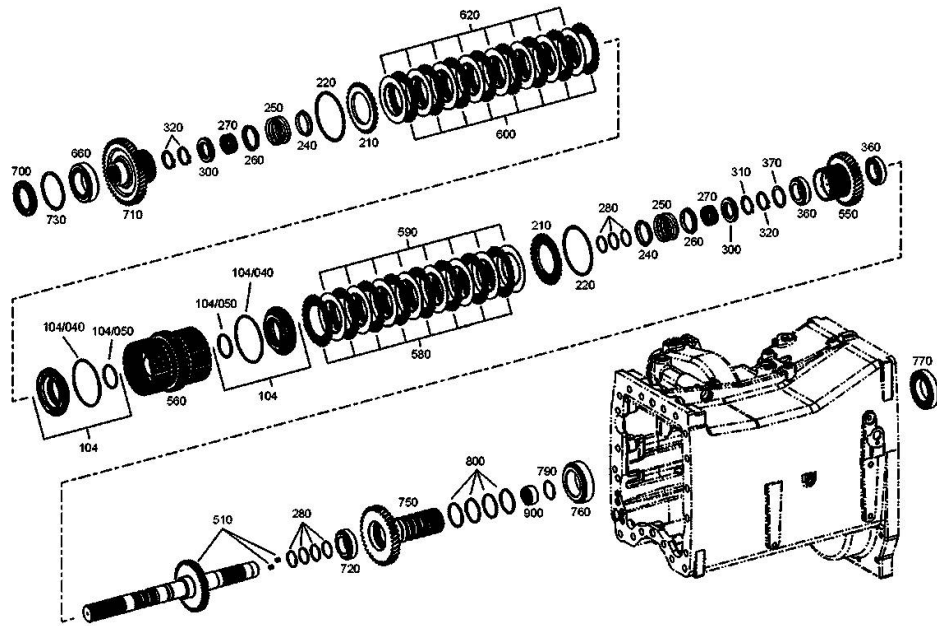
Section: D0 - TRANSMISSION
GEARBOX - 2095 011 003

Fig.	P/n	QTY	Name
10	0.900.2186.6	1	box
20	01138947	1	cover
80	0.900.2186.7	1	box
90	0.010.2887.1	7	screw m 14 x 60
110	0.900.2186.8	12	screw
120	04416090	2	cylindrical plug 16 m 6x30
180	04415972	1	spring
190	04415971	1	small piston
200	04434341	6	plug
200.20	04436328	1	oil seal 23x2
218	04433215	1	plug
218.20	04415796	1	oil seal 9.5x2
220	04438438	1	position sensor L = 83,2mm
220.10	04417747	1	oil seal 15.54x2.62
224	04434551	1	screw m 8 p.1.25 x 20
230	0.010.2874.2	1	speed sensor
230.10	04417747	1	oil seal 15.54x2.62
240	04434551	1	screw m 8 p.1.25 x 20
250	04438438	1	position sensor L = 83,2mm
250.10	04417747	1	oil seal 15.54x2.62
254	04434551	1	screw m 8 p.1.25 x 20
280	0.900.2094.5	1	solenoid valve
290	04415955	1	spring
300	0.900.0489.2	1	cone
310	04309268	6	ball
320	04416962	3	ball
330	01160038	4	oil seal
340	0.900.2186.9	1	ring
350	04435199	2	screw
350.20	02315162	1	oil seal 13x2



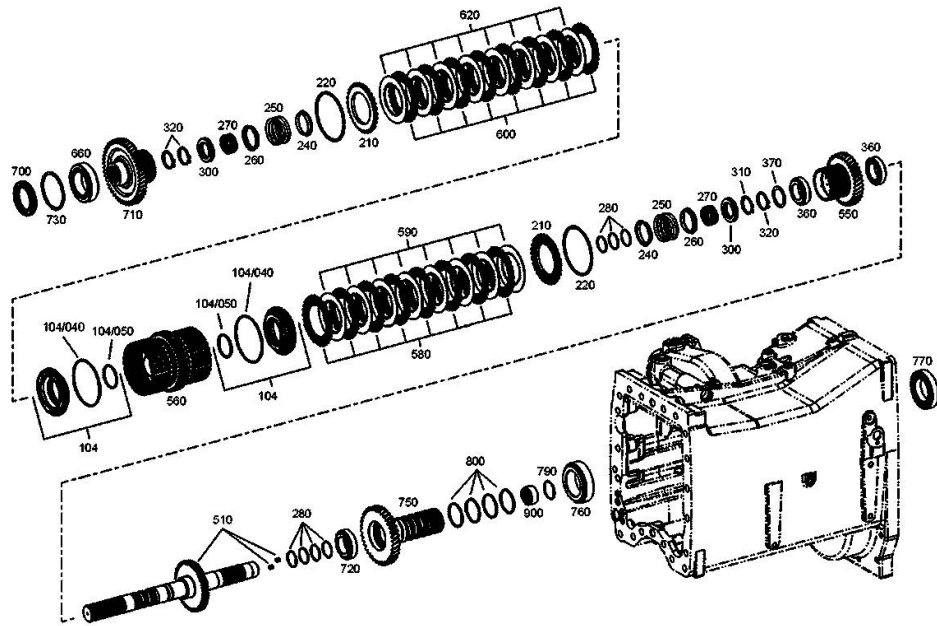
Section: D0 - TRANSMISSION
SPLITTER - 2095 011 003

Fig.	P/n	QTY	Name
104	04431746	4	piston
104.40	04419762	1	oil seal 104x3
104.50	04419763	1	oil seal 50x3
210	04416763	4	disc
220	0.900.0801.9	1	circlip A=2,75
220	0.900.0802.0	1	circlip A=3,25
220	0.900.0802.1	1	circlip A=2,25
220	04416765	1	circlip A = 2.0
220	04416766	1	circlip A = 2.5
220	04416767	1	circlip A = 3.0
220	04416768	1	circlip A = 3.5
240	04416758	4	ring
250	04416759	4	spring
260	04416954	4	ring
270	04416955	4	roller cage
280	04416956	10	ring 38/35.2x2
300	04416957	4	bearing
310	04416951	2	circlip
320	0.010.3347.1	5	circlip 38x2.5
360	04416950	4	bearing
370	0.010.2886.0	1	washer mm 1.175
370	0.010.2886.1	1	washer mm 1.15
370	0.900.2137.0	1	washer mm 1.025
370	0.900.2137.1	1	washer mm 1.075
370	0.900.2137.2	1	washer mm 1.125
370	04416969	1	ring mm 1.5
370	04417016	1	washer mm 1.2
370	04417017	1	washer mm 1.25
370	04417018	1	washer mm 1.30
370	04417019	1	washer mm 1.35
370	04417020	1	washer mm 1.4
370	04417021	1	washer mm 1.45
370	04417023	1	washer mm 1.55
370	04417024	1	washer mm 1.60
370	04417025	1	washer mm 1.65
370	04417026	1	washer mm 1.7
370	04417027	1	washer mm 1.75
370	04417028	1	washer mm 1.80
370	04417029	1	shim mm 1.225
370	04417030	1	shim mm 1.275
370	04417031	1	shim mm 1.325
370	04417032	1	shim mm 1.375
370	04417033	1	shim mm 1.425
370	04417034	1	shim mm 1.475



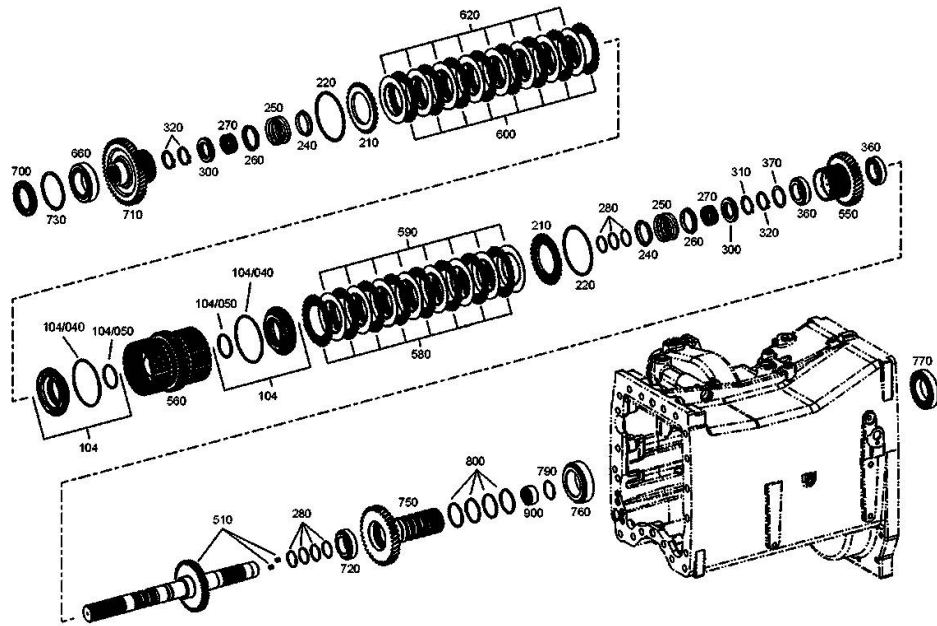
Section: D0 - TRANSMISSION
SPLITTER - 2095 011 003

Fig.	P/n	QTY	Name
370	04417035	1	shim mm 1.525
370	04417036	1	shim mm 1.575
370	04417037	1	shim mm 1.625
370	04417038	1	shim mm 1.675
370	04417039	1	shim mm 1.725
370	04417040	1	shim mm 1.775
510	0.900.2187.7	1	ring
550	0.900.0955.6	1	gear wheel
560	0.900.0954.4	1	plate carrier
580	04416760	8	clutch plate AV 35
590	04416967	8	clutch plate
600	04416760	8	clutch plate AV 35
620	04416967	8	clutch plate
660	0.010.3256.1	1	roller bearing
700	04416975	1	oil seal
710	0.900.0885.0	1	gear z=47
720	04416110	1	roller bearing
730	0.900.0974.5	1	shim S = 2.00
730	0.900.0974.6	1	shim s = 2.05
730	0.900.0974.7	1	shim s = 2.10
730	0.900.0974.8	1	shim s = 2.15
730	0.900.0974.9	1	shim s = 2.20
730	0.900.0975.0	1	shim s = 2.25
730	0.900.0975.1	1	shim s = 2.30
730	0.900.0975.2	1	washer
730	0.900.0975.3	1	washer
730	0.900.0975.4	1	shim
730	0.900.0975.5	1	shim
730	0.900.0975.6	1	shim
730	0.900.0975.7	1	shim
730	0.900.0975.8	1	shim
730	0.900.0975.9	1	shim
730	0.900.0976.0	1	shim
730	0.900.0976.1	1	shim
730	0.900.0978.1	1	washer
730	0.900.0978.2	1	washer
730	0.900.2188.2	1	shim S=2.95
730	0.900.2188.3	1	shim S=3,00
730	0.900.2188.4	1	shim A=1,90
730	0.900.2188.5	1	shim A=1,950
730	0.900.2188.6	1	shim h=2,68
730	0.900.2188.7	1	shim h=2,730
730	0.900.2188.8	1	shim h=2,780
730	0.900.2188.9	1	shim h=2,830



SPLITTER - 2095 011 003

Fig.	P/n	QTY	Name
730	0.900.2189.0	1	shim h=2,880
730	0.900.2189.1	1	shim S=3.10
750	0.900.2187.8	1	shaft
760	0.900.2188.0	1	bearing
770	0.900.2188.1	1	bearing
790	0.900.1246.2	1	circlip
800	0.900.0293.5	4	oil seal
900	0.900.2187.9	1	bush



Section: D0 - TRANSMISSION
SPLITTER - 2095 011 003

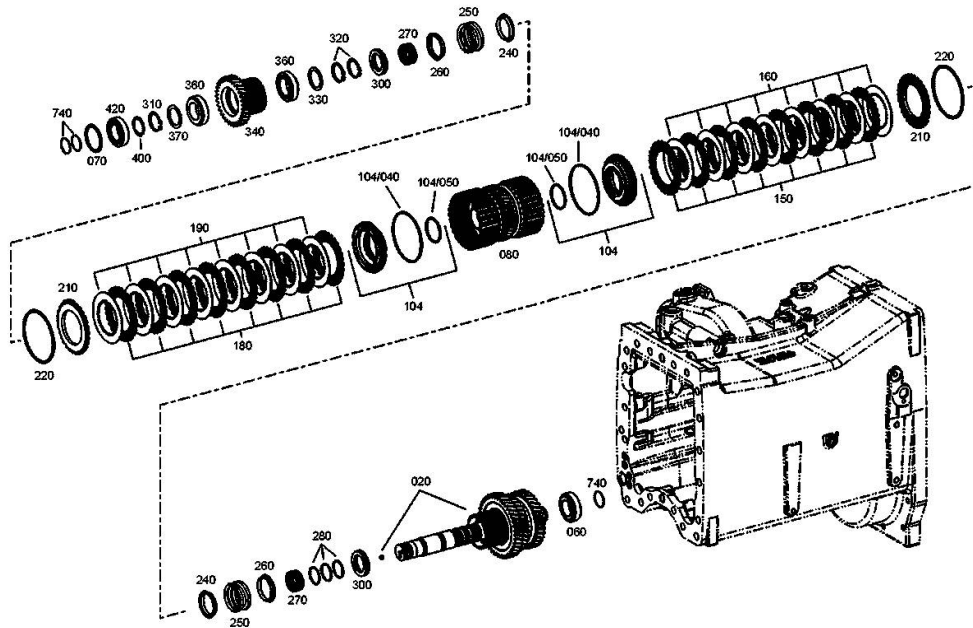


Fig.	P/n	QTY	Name
20	0.900.2187.6	1	shaft
60	04415988	1	bearing
70	04417051	1	washer mm 2.40
70	04417052	1	washer mm 2.45
70	04417053	1	washer mm 2.50
70	04417054	1	washer mm 2.55
70	04417055	1	washer mm 2.60
70	04424430	1	washer mm 2.65
70	04424431	1	washer mm 2.70
80	0.900.0954.5	1	carrier
104	04431746	4	piston
104.40	04419762	1	oil seal 104x3
104.50	04419763	1	oil seal 50x3
150	04416760	8	clutch plate AV 35
160	04416967	8	clutch plate
180	04416760	8	clutch plate AV 35
190	04416967	8	clutch plate
210	04416763	4	disc
220	0.900.0801.9	1	circlip A=2,75
220	0.900.0802.0	1	circlip A=3,25
220	0.900.0802.1	1	circlip A=2,25
220	04416765	1	circlip A = 2.0
220	04416766	1	circlip A = 2.5
220	04416767	1	circlip A = 3.0
220	04416768	1	circlip A = 3.5
240	04416758	4	ring
250	04416759	4	spring
260	04416954	4	ring
270	04416955	4	roller cage
280	04416956	10	ring 38/35.2x2
300	04416957	4	bearing
310	04416951	2	circlip
320	0.010.3347.1	5	circlip 38x2.5
330	04416969	1	ring mm 1.5
340	0.900.0955.5	1	gear
360	04416950	4	bearing
370	0.010.2886.0	1	washer mm 1.175
370	0.010.2886.1	1	washer mm 1.15
370	0.900.2137.0	1	washer mm 1.025
370	0.900.2137.1	1	washer mm 1.075
370	0.900.2137.2	1	washer mm 1.125
370	04416969	1	ring mm 1.5
370	04417016	1	washer mm 1.2
370	04417017	1	washer mm 1.25

Section: D0 - TRANSMISSION
SPLITTER - 2095 011 003

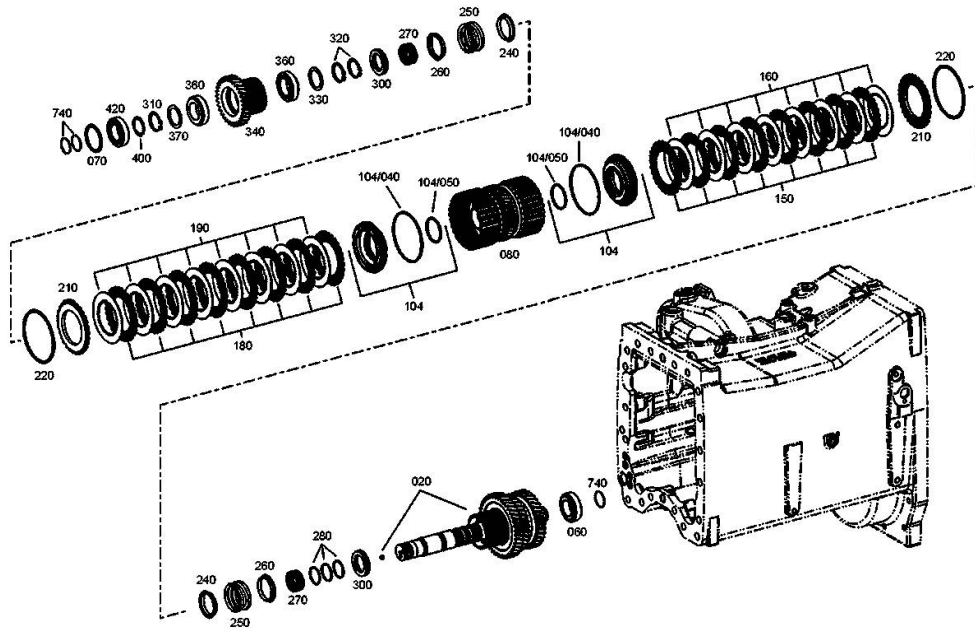
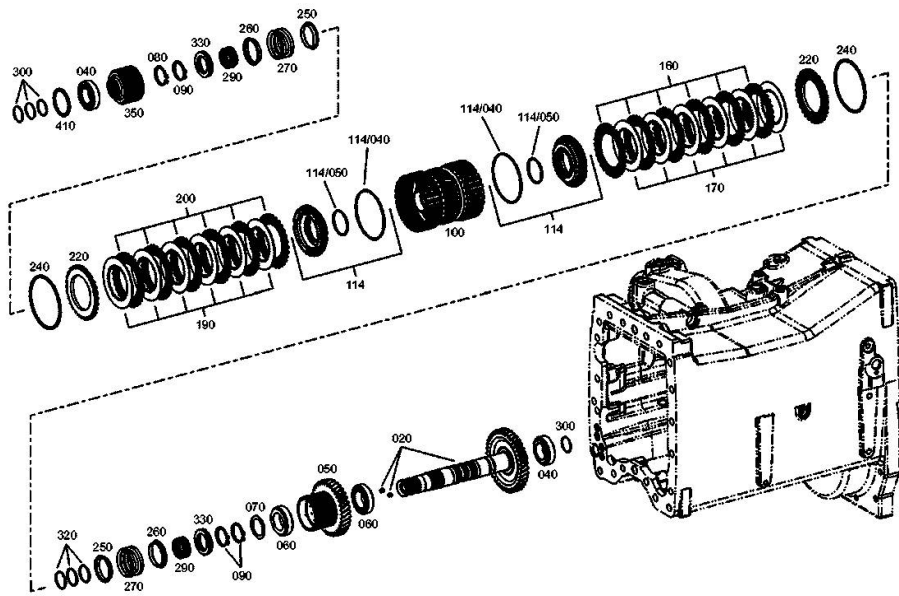


Fig.	P/n	QTY	Name
370	04417018	1	washer mm 1.30
370	04417019	1	washer mm 1.35
370	04417020	1	washer mm 1.4
370	04417021	1	washer mm 1.45
370	04417023	1	washer mm 1.55
370	04417024	1	washer mm 1.60
370	04417025	1	washer mm 1.65
370	04417026	1	washer mm 1.7
370	04417027	1	washer mm 1.75
370	04417028	1	washer mm 1.80
370	04417029	1	shim mm 1.225
370	04417030	1	shim mm 1.275
370	04417031	1	shim mm 1.325
370	04417032	1	shim mm 1.375
370	04417033	1	shim mm 1.425
370	04417034	1	shim mm 1.475
370	04417035	1	shim mm 1.525
370	04417036	1	shim mm 1.575
370	04417037	1	shim mm 1.625
370	04417038	1	shim mm 1.675
370	04417039	1	shim mm 1.725
370	04417040	1	shim mm 1.775
400	04416762	1	disc
420	04415988	1	bearing
740	04415761	3	ring 35x2

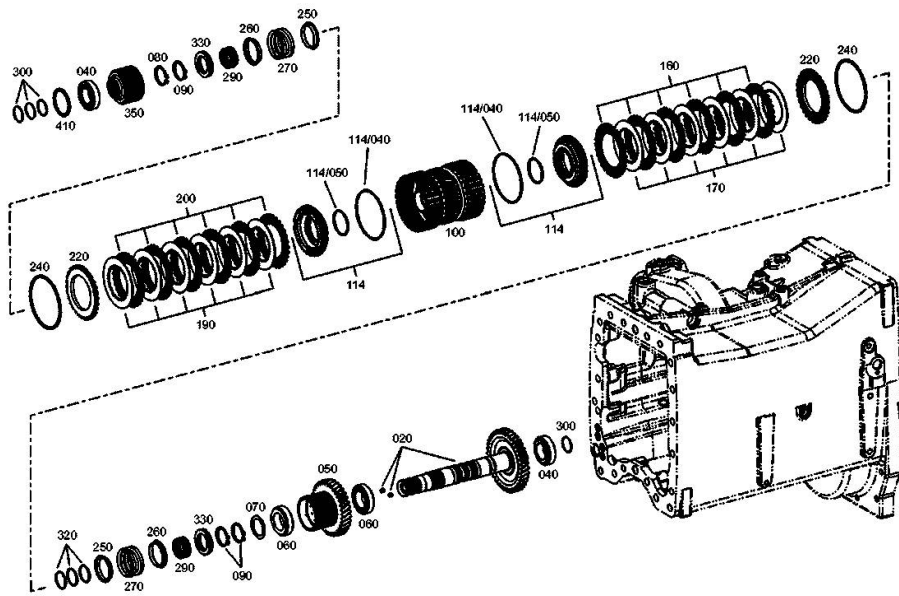
Section: D0 - TRANSMISSION
POWER SHIFT - 2095 011 003

Fig.	P/n	QTY	Name
20	0.900.2187.2	1	shaft
40	04415988	2	bearing
50	0.900.0955.6	1	gear wheel
60	04416950	2	bearing
70	0.010.2886.0	1	washer mm 1.175
70	0.010.2886.1	1	washer mm 1.15
70	0.900.2137.0	1	washer mm 1.025
70	0.900.2137.1	1	washer mm 1.075
70	0.900.2137.2	1	washer mm 1.125
70	04416969	1	ring mm 1.5
70	04417016	1	washer mm 1.2
70	04417017	1	washer mm 1.25
70	04417018	1	washer mm 1.30
70	04417019	1	washer mm 1.35
70	04417020	1	washer mm 1.4
70	04417021	1	washer mm 1.45
70	04417023	1	washer mm 1.55
70	04417024	1	washer mm 1.60
70	04417025	1	washer mm 1.65
70	04417026	1	washer mm 1.7
70	04417027	1	washer mm 1.75
70	04417028	1	washer mm 1.80
70	04417029	1	shim mm 1.225
70	04417030	1	shim mm 1.275
70	04417031	1	shim mm 1.325
70	04417032	1	shim mm 1.375
70	04417033	1	shim mm 1.425
70	04417034	1	shim mm 1.475
70	04417035	1	shim mm 1.525
70	04417036	1	shim mm 1.575
70	04417037	1	shim mm 1.625
70	04417038	1	shim mm 1.675
70	04417039	1	shim mm 1.725
70	04417040	1	shim mm 1.775
80	04416951	1	circlip
90	0.010.3347.1	3	circlip 38x2.5
100	0.900.0954.3	1	support
114	04431746	2	piston
114.40	04419762	1	oil seal 104x3
114.50	04419763	1	oil seal 50x3
160	04416760	8	clutch plate AV 35
170	04416967	8	clutch plate
190	04416967	8	clutch plate
200	04416760	8	clutch plate AV 35



Section: D0 - TRANSMISSION
POWER SHIFT - 2095 011 003

Fig.	P/n	QTY	Name
220	04416763	2	disc
240	0.900.0801.9	1	circlip A=2,75
240	0.900.0802.0	1	circlip A=3,25
240	0.900.0802.1	1	circlip A=2,25
240	04416765	1	circlip A = 2.0
240	04416766	1	circlip A = 2.5
240	04416767	1	circlip A = 3.0
240	04416768	1	circlip A = 3.5
250	04416758	2	ring
260	04416954	2	ring
270	04416759	2	spring
290	04416955	2	roller cage
300	04415761	4	ring 35x2
320	04416956	3	ring 38/35.2x2
330	04416957	2	bearing
350	04416958	1	plate carrier Z = 36
410	04417051	1	washer mm 2.40
410	04417052	1	washer mm 2.45
410	04417053	1	washer mm 2.50
410	04417054	1	washer mm 2.55
410	04417055	1	washer mm 2.60
410	04424430	1	washer mm 2.65
410	04424431	1	washer mm 2.70





Suggest:

For more complete manuals. Please go to the home page.

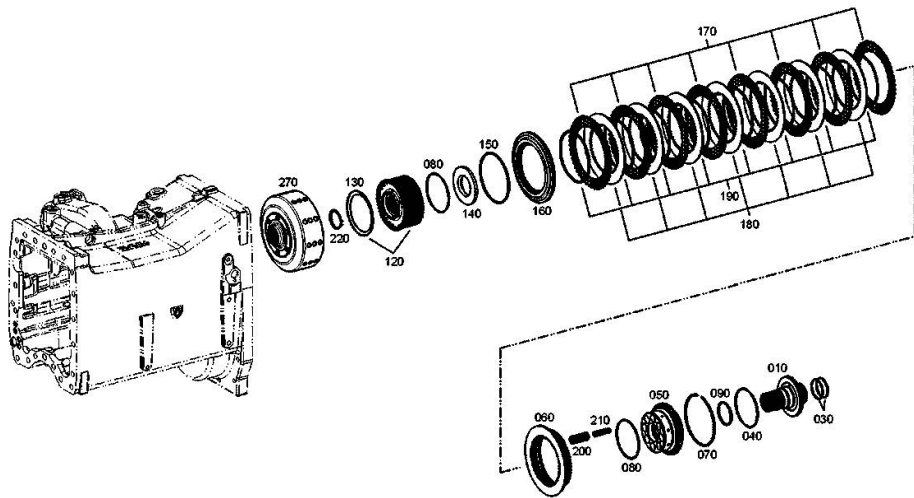
<https://www.ebooklibonline.com>

If the above button click is invalid. Please download this document first, and then click the above link to download the complete manual.

Thank you so much for reading

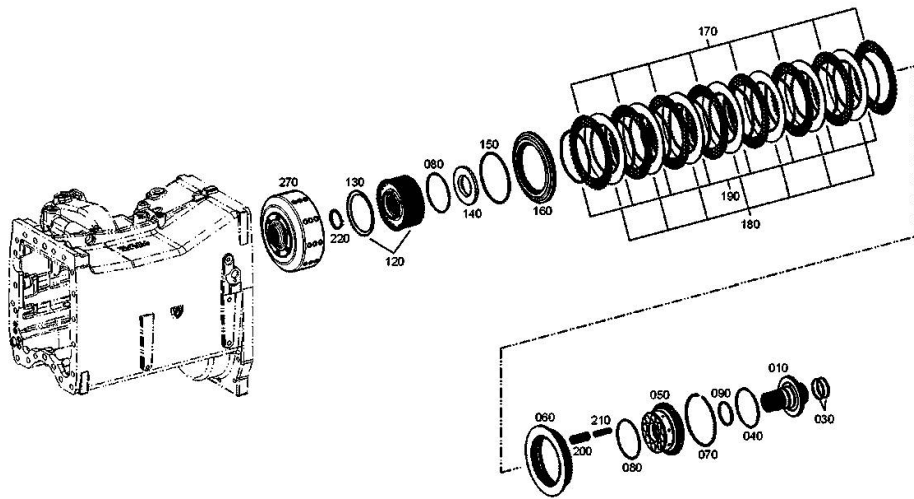
CLUTCH - 2095 011 003

Fig.	P/n	QTY	Name
10	0.900.1901.1	1	gear
30	0.900.0293.5	2	oil seal
40	0.900.1623.5	1	oil seal 105x3
50	0.900.2187.3	1	piston
60	0.900.1602.5	1	gear
70	04431758	1	circlip SB 143
80	0.900.1623.5	2	oil seal 105x3
90	0.900.1623.6	1	oil seal 58x3
120	0.900.2221.7	1	support
130	0.900.2051.2	1	guard
140	04431763	1	plate
150	0.900.0015.1	1	washer mm 2.60
150	0.900.0015.2	1	washer mm 2.70
150	0.900.0015.3	1	washer mm 2.40
150	0.900.0015.4	1	washer mm 2.50
150	0.900.1547.2	1	washer mm 2.00
150	0.900.1547.3	1	washer mm 2.10
150	0.900.1547.4	1	washer mm 2.20
150	04416748	1	washer mm 5.10
150	04417207	1	washer mm 2.80
150	04417208	1	washer mm 2.90
150	04417209	1	washer mm 3.00
150	04417210	1	washer mm 3.10
150	04417211	1	washer mm 3.20
150	04417212	1	washer mm 3.30
150	04417213	1	washer mm 3.40
150	04417214	1	washer mm 3.50
150	04417215	1	washer mm 3.6
150	04417216	1	washer mm 3.70
150	04417217	1	washer mm 3.80
150	04417218	1	washer mm 3.90
150	04417219	1	washer mm 4.00
150	04417220	1	washer mm 4.10
150	04417221	1	washer mm 4.20
150	04417222	1	washer mm 4.30
150	04417223	1	washer mm 4.40
150	04417224	1	washer mm 4.50
150	04417225	1	washer mm 4.60
150	04417226	1	washer mm 4.70
150	04417227	1	washer mm 4.80
150	04417228	1	washer mm 4.90
150	04417229	1	washer mm 5.00
150	04419170	1	washer mm 5.20
150	04419171	1	washer mm 5.30



CLUTCH - 2095 011 003

Fig.	P/n	QTY	Name
150	04423191	1	washer mm 5.60
150	04424408	1	shim mm 3.50
150	04427550	1	washer mm 5.5
150	04439012	1	washer mm 2.30
160	04416788	1	disc
170	0.900.2045.5	8	disc Z = 50
180	0.900.2045.7	7	disc Z = 48
190	0.900.1281.1	8	spring
200	0.010.3420.1	8	spring
210	04431765	8	spring
220	0.010.2609.0	1	circlip 50x3
270	0.900.2187.5	1	rotor



<https://www.ebooklibonline.com>

Hello dear friend!

Thank you very much for reading.

Enter the link into your browser.

The full manual is available for immediate download.

<https://www.ebooklibonline.com>