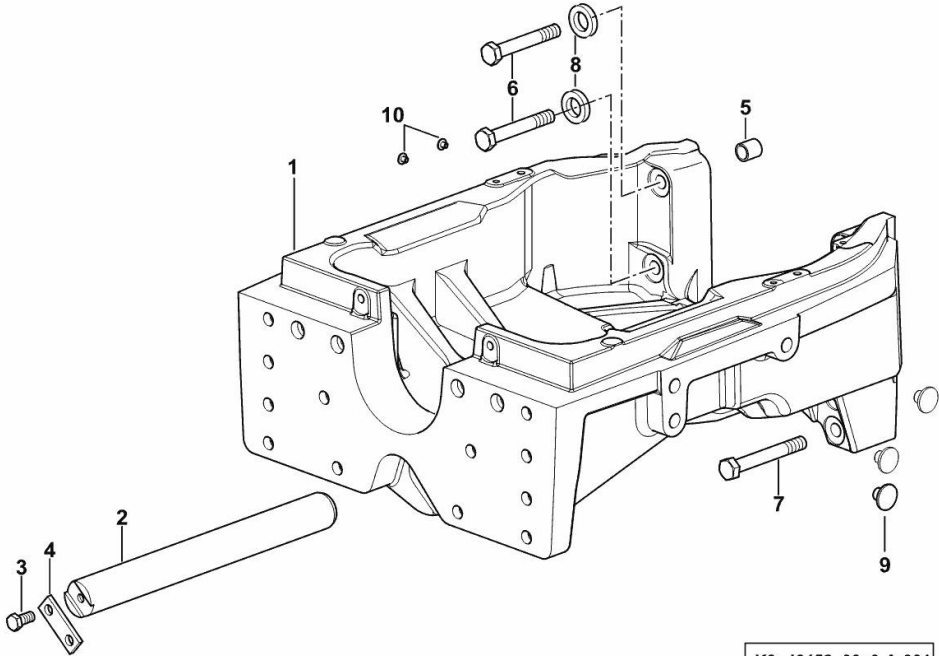


Section: F0 - FRONT AXLE  
4WD - FRONT SUPPORT

Fig.	P/n	QTY	Name
------	-----	-----	------

Notes:  
[XL 120.4 T4i Hi Level]

1	0.016.0970.0/40	1	front support
2	04411024	1	pin
3	2.0114.409.2	2	screw m 12 x 25
4	04419914	1	bracket
5	2.2680.047.0	2	ring 17x22x23
6	2.0113.630.2	4	screw m 16x105
7	2.0119.282.6	4	screw m 16 x 120
8	01174740	4	washer 16.5x31x7
9	01167322	10	bottom 18.4x15.5x25
10	0.017.8802.0	2	bottom



K9\_J6452\_00\_0-A-001

**4WD - FRONT CARRIER WITH SUSPENSION**

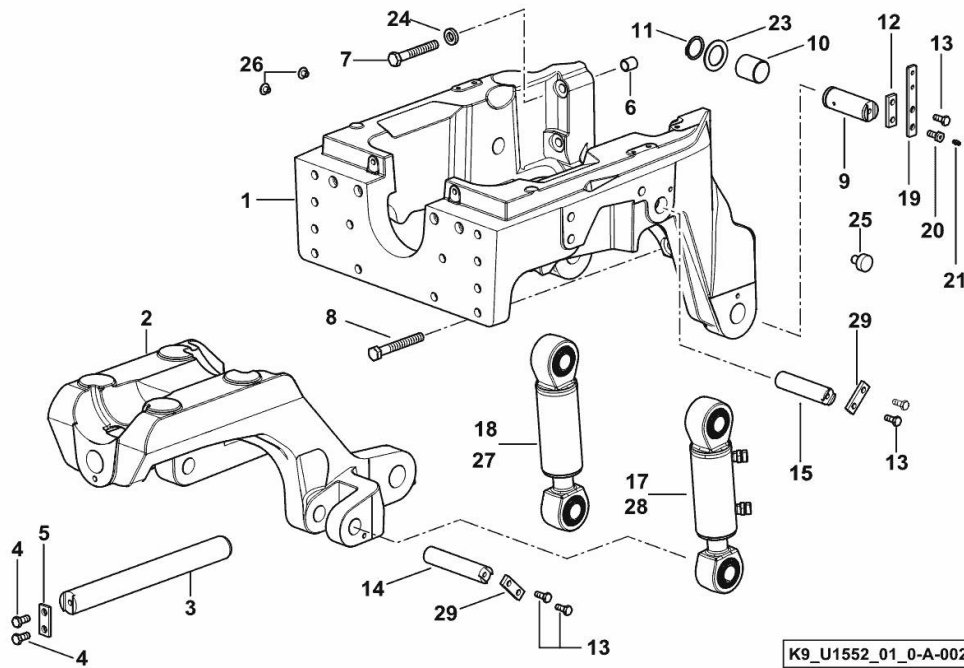


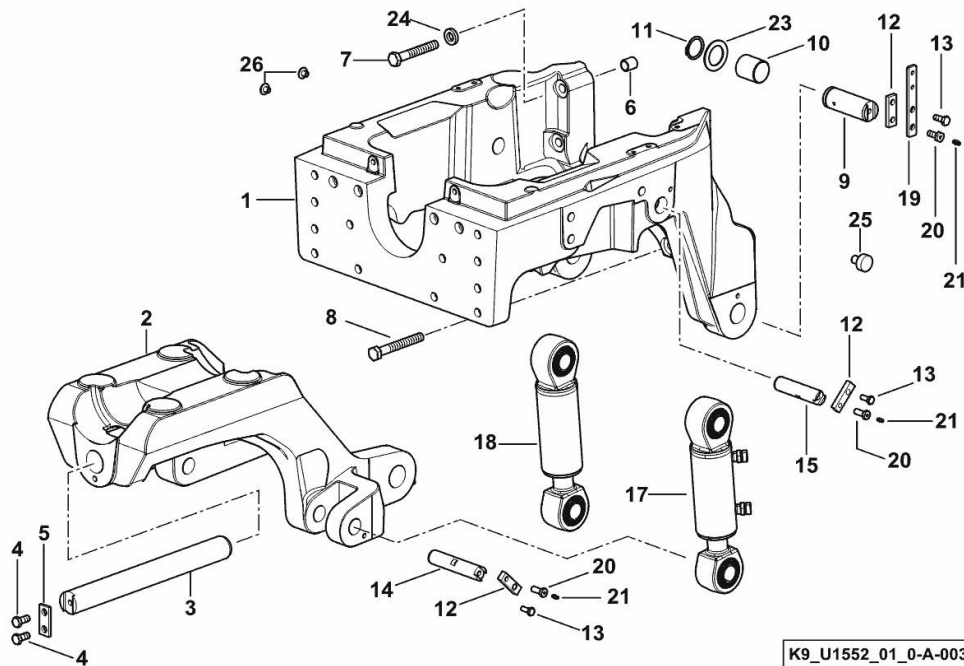
Fig.	P/n	QTY	Name
------	-----	-----	------

**Notes:**

[XL 120.4 T4i Hi Level]

1	0.016.0971.0/40	1	front support
2	04455624/30	1	support
3	04411024	1	pin
4	2.0114.409.2	2	screw m 12 x 25
5	04411025	1	flange
6	2.2680.047.0	2	ring 17x22x23
7	2.0113.630.2	4	screw m 16x105
8	2.0119.282.6	4	screw m 16 x 120
9	2.1679.130.0	2	pin
10	04424134/20	2	bushing
11	2.1410.016.7	2	circlip 40x1.75
12	0.020.8164.0	2	small plate
13	2.0114.309.2	10	screw m 10 p 1.25 x 25
14	0.015.3715.0/10	2	pin
15	0.015.3716.0/10	2	pin
17	04455060/10	1	jack sx/lh/li - Weber ☞ 04455060/10
18	04455061/10	1	jack dx/rh/re - Weber ☞ 04455061/10
19	0.021.5396.0	1	small plate
20	2.3249.736.7	2	screw m 12 x 30
21	2.3820.101.2	2	grease gun m 6 p.1 x 5
23	04438682	2	ring
24	01174740	4	washer 16.5x31x7
25	01167322	10	bottom 18.4x15.5x25
26	0.017.8802.0	2	bottom
27	2.3749.016.0	1	jack dx/rh/re - Ognibene ☞ 2.3749.016.0
28	2.3749.015.0	1	jack sx/lh/li - Ognibene ☞ 2.3749.015.0
29	04422768	4	small plate

**4WD - FRONT CARRIER WITH SUSPENSION**



K9\_U1552\_01\_0-A-003

Fig.	P/n	QTY	Name
------	-----	-----	------

**Notes:**

[XL 120.4 T4i Hi Level]

1	0.016.0971.0/40	1	front support
2	04455624/30	1	support
3	04411024	1	pin
4	2.0114.409.2	2	screw m 12 x 25
5	04411025	1	flange
6	2.2680.047.0	2	ring 17x22x23
7	2.0113.630.2	4	screw m 16x105
8	2.0119.282.6	4	screw m 16 x 120
9	2.1679.130.0	2	pin
10	04424134/20	2	bushing
11	2.1410.016.7	2	circlip 40x1.75
12	0.020.8164.0	6	small plate
13	2.0114.309.2	6	screw m 10 p 1.25 x 25
14	0.021.0516.0	2	pin
15	0.021.8686.0	2	pin
17	2.3749.036.0/10	1	jack sx/lh/li - Weber
18	2.3749.035.0/10	1	jack dx/rh/re - Weber ☞ 2.3749.035.0/10
19	0.021.5396.0	1	small plate
20	2.3249.736.7	6	screw m 12 x 30
21	2.3820.101.2	6	grease gun m 6 p.1 x 5
23	04438682	2	ring
24	01174740	4	washer 16.5x31x7
25	01167322	10	bottom 18.4x15.5x25
26	0.017.8802.0	2	bottom

**<https://www.ebooklibonline.com>**

Hello dear friend!

Thank you very much for reading.

Enter the link into your browser.

The full manual is available for immediate download.

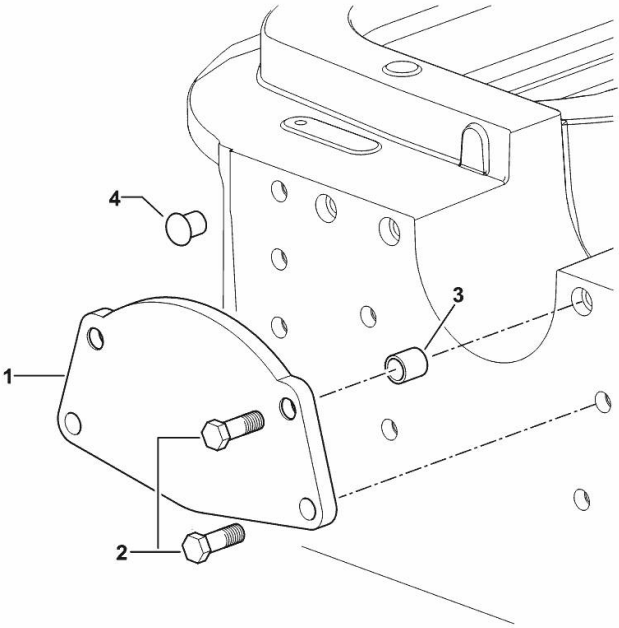
**<https://www.ebooklibonline.com>**

**FRONT COVER WITHOUT FRONT HOOK**

Fig.	P/n	QTY	Name
------	-----	-----	------

**Notes:**  
 [XL 120.4 T4i Hi Level]

1	04422634/10	1	plate
2	2.0112.615.2	4	screw m 16 p.2 x 40
3	2.2680.047.0	2	ring 17x22x23
4	01167317	12	plug 14.5X11.5X21



K9\_95052\_31\_0-A-001

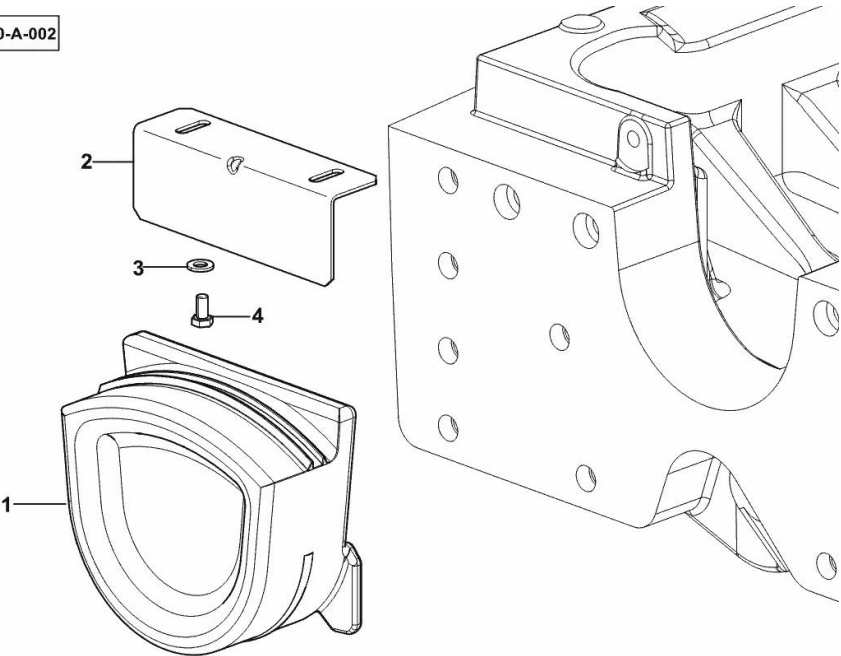
**BLANKING PLUG FOR TYPES WITHOUT FRONT PTO**

Fig.	P/n	QTY	Name
------	-----	-----	------

**Notes:**  
 - FOR TYPES WITHOUT SUSPENDE AXLE [XL 120.4 T4i Hi Level]

1	0.018.5541.0	1	plug
2	0.020.0527.0	1	bracket
3	2.1310.003.2	2	flat washer 7.4x14
4	2.0114.003.2	2	screw m 6 p.1 x 12

K9\_R5152\_01\_0-A-002



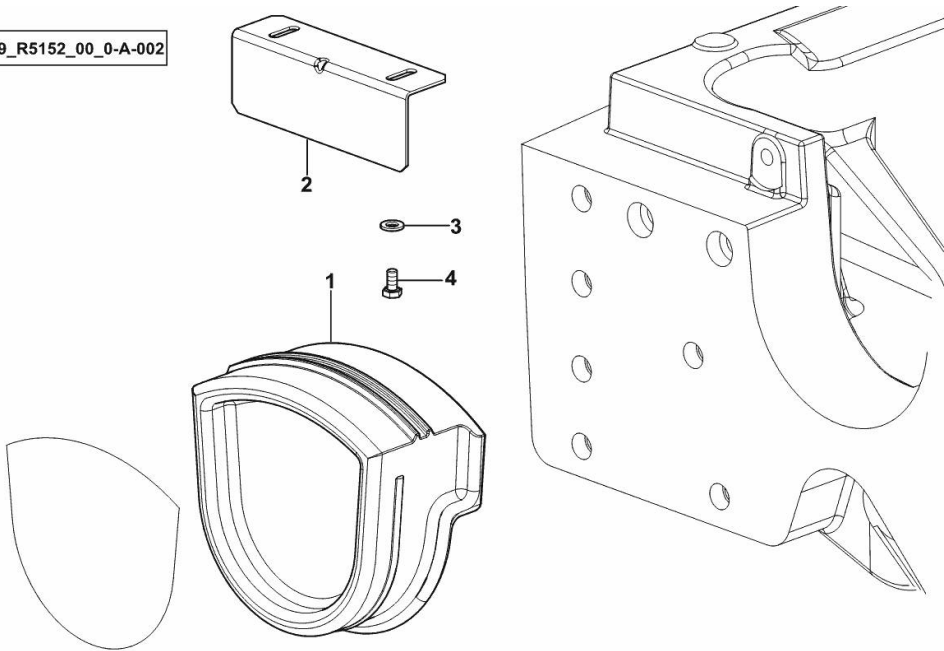
**BLANKING PLUG FOR TYPES WITHOUT FRONT PTO**

Fig.	P/n	QTY	Name
------	-----	-----	------

**Notes:**  
 - FOR TYPES WITH SUSPENDED DRIVING AXLE [XL 120.4 T4i Hi Level]

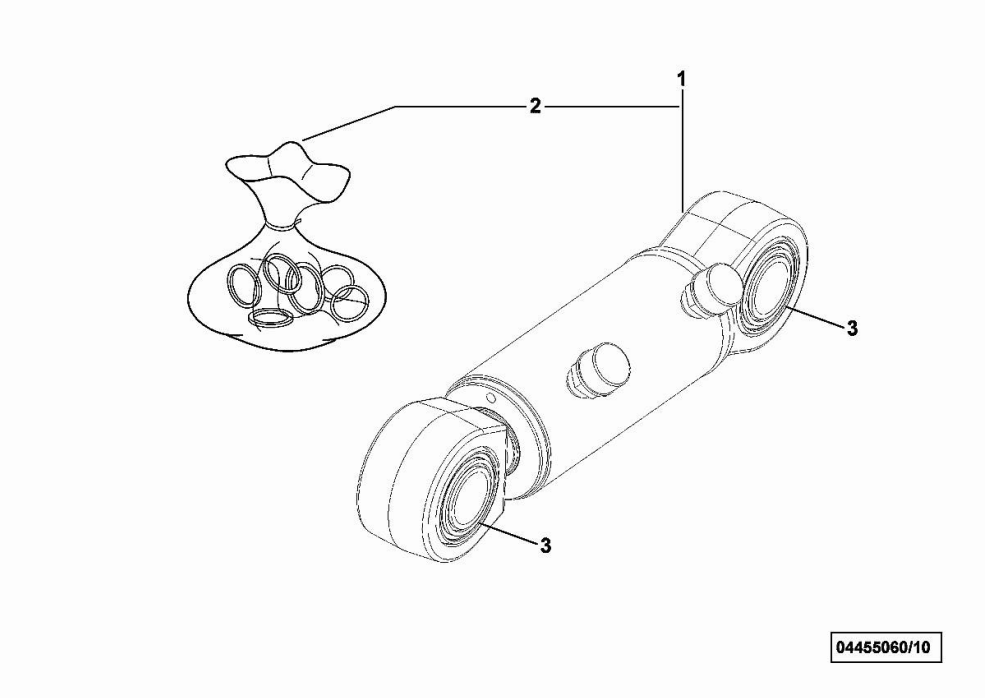
1	0.018.3720.0	1	plug
2	0.020.0527.0	1	bracket
3	2.1310.003.2	2	flat washer 7.4x14
4	2.0114.003.2	2	screw m 6 p.1 x 12

K9\_R5152\_00\_0-A-002



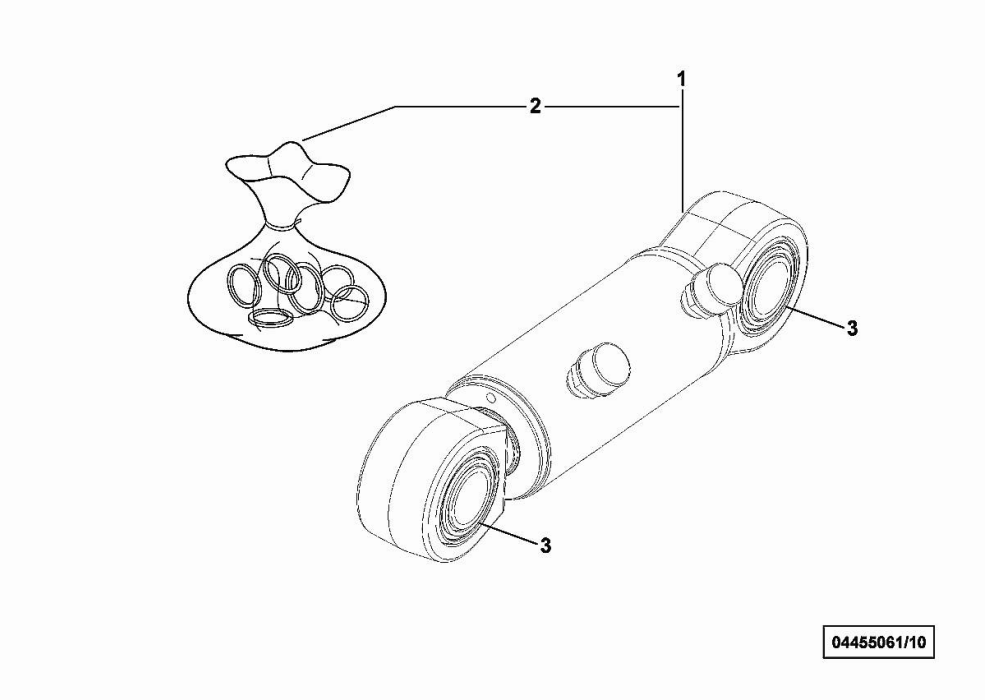
**HYDRAULIC CYLINDER**

Fig.	P/n	QTY	Name
1	04455060/10	1	jack sx/lh/li - Weber
2	0.900.1284.5	1	gasket set
3	0.900.1492.3	2	bushing



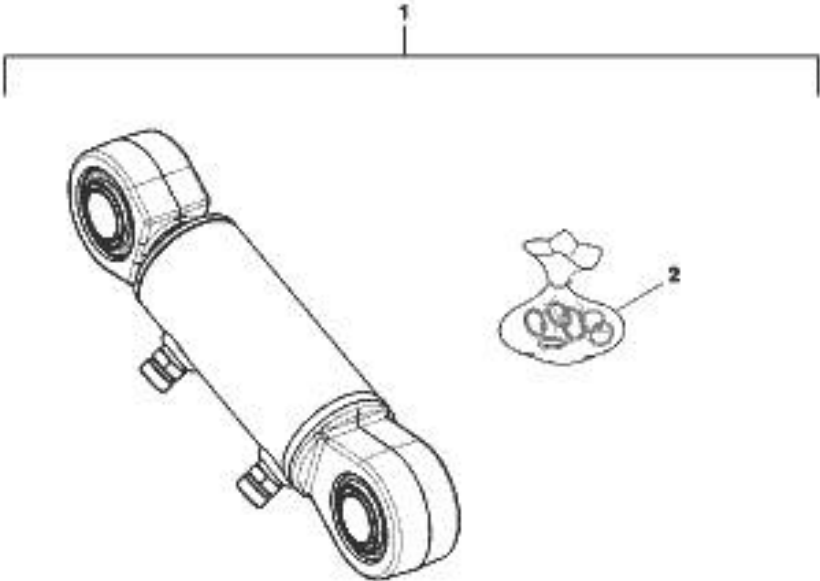
**HYDRAULIC CYLINDER**

Fig.	P/n	QTY	Name
1	04455061/10	1	jack dx/rh/re - Weber
2	0.900.1284.5	1	gasket set
3	0.900.1492.3	2	bushing



**CYLINDER**

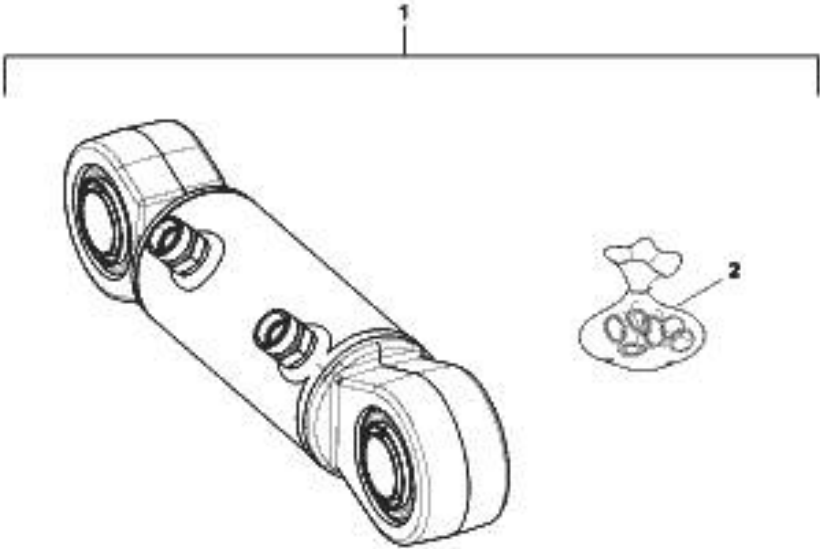
Fig.	P/n	QTY	Name
1	2.3749.015.0	1	jack sx/lh/li - Ognibene
2	0.900.1977.8	1	seal ring kit



2.3749.015.0

**CYLINDER**

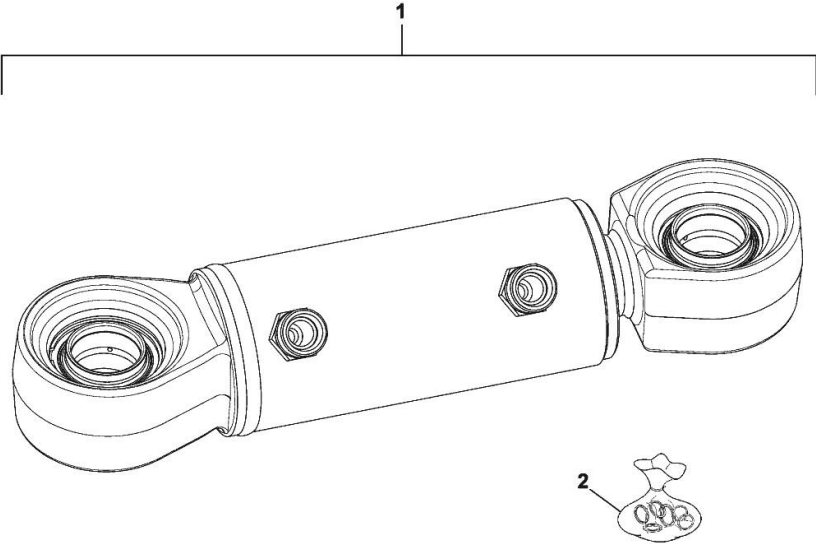
Fig.	P/n	QTY	Name
1	2.3749.016.0	1	jack dx/rh/re - Ognibene
2	0.900.1977.8	1	seal ring kit



2.3749.016.0

**HYDRAULIC CYLINDERS**

Fig.	P/n	QTY	Name
1	2.3749.035.0/10	1	jack dx/rh/re - Weber
2	0.900.2274.6	1	gasket set



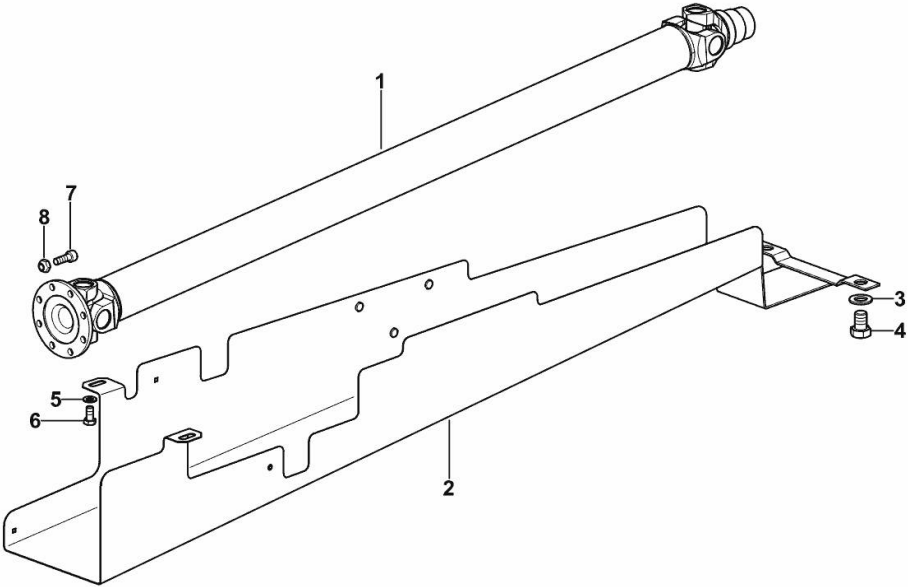
2.3749.035.0/10

4WD - TRANSMISSION SHAFT

Fig.	P/n	QTY	Name
------	-----	-----	------

Notes:  
 [XL 120.4 T4i Hi Level]

1	04426796/40	1	transmission shaft ☞ 04426796/40
2	0.020.0428.3/10	1	guard
3	2.1310.011.2	2	flat washer 19x34
4	2.0112.709.2	2	screw m 18 p.2.5x25
5	2.1310.006.2	2	flat washer 10.5x21
6	2.0112.307.2	2	screw m 10 p.1.5 x 20
7	2.0319.023.6/10	8	screw m 10 p.1x29
8	01136456	8	nut m 10



K9\_V3126\_00\_0-A-001

**4WD - PROPELLER SHAFT CASING**

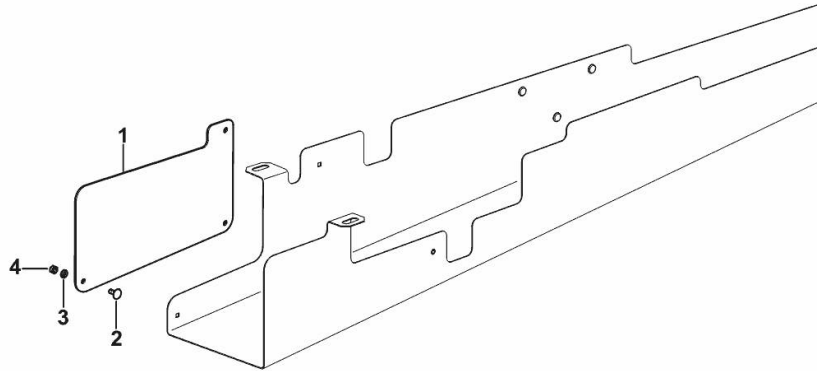
---

Fig.	P/n	QTY	Name
------	-----	-----	------

---

**Notes:**  
- FOR TYPES WITHOUT SUSPENDED AXLE [XL 120.4 T4i Hi Level]

1	0.020.0677.0	1	guard
2	2.0020.103.2	3	screw m 6 p.1 x 16
3	2.1310.002.2	3	flat washer 6.4x12.5
4	2.1011.103.2	3	nut m 6 p.1



K9\_V3126\_01\_0-A-001



**Suggest:**

**For more complete manuals. Please go to the home page.**

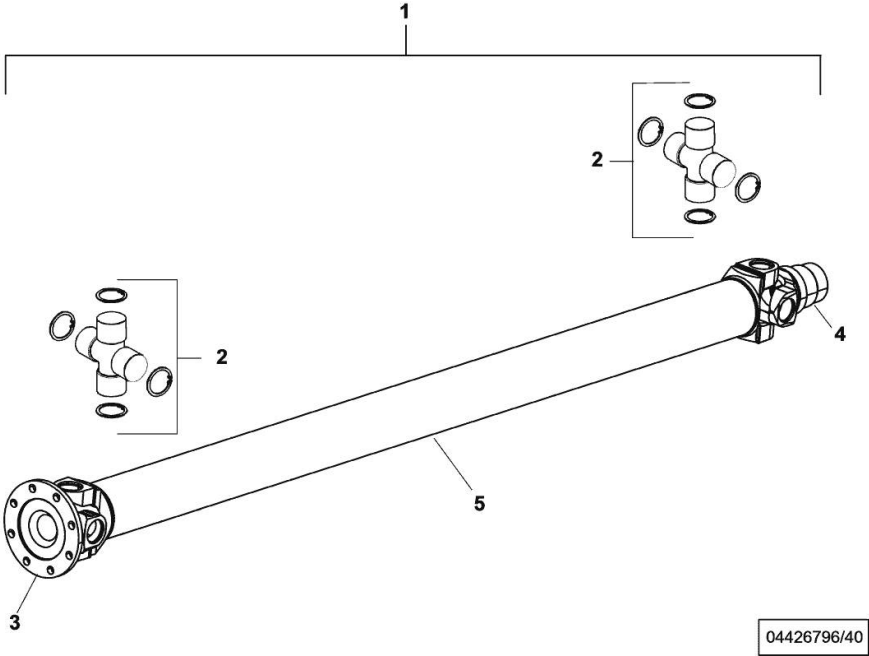
**<https://www.ebooklibonline.com>**

**If the above button click is invalid. Please download this document first, and then click the above link to download the complete manual.**

**Thank you so much for reading**

**CARDAN JOINT**

Fig.	P/n	QTY	Name
1	04426796/40	1	transmission shaft
2	0.900.1996.2	2	universal joint - KIT
3	0.900.0053.9	1	fork
4	0.900.2145.3	1	fork - KIT
5	0.000.0000.1		cannot be supplied



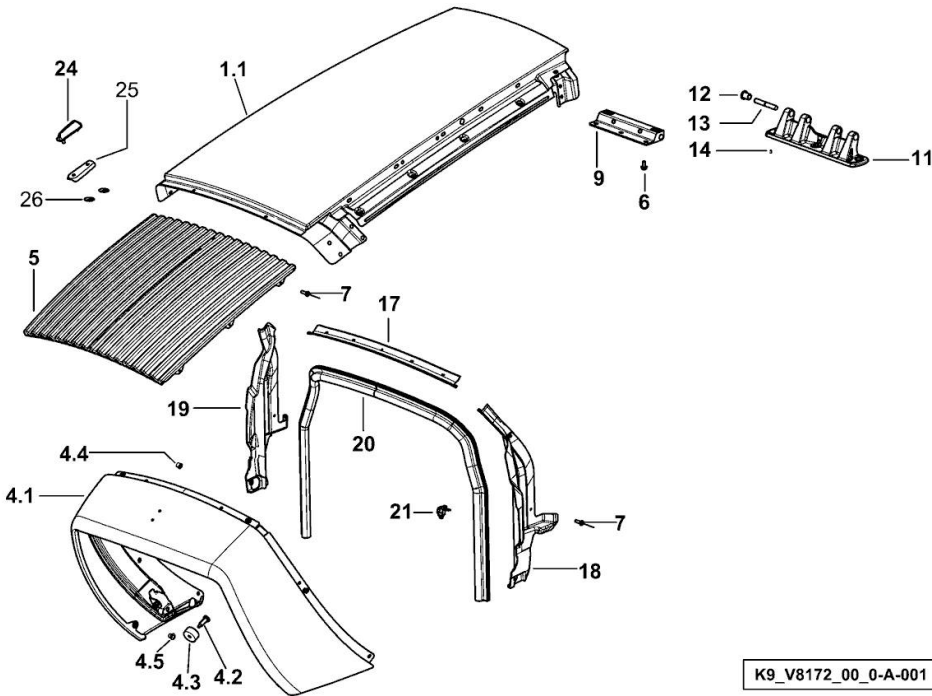
**HOOD**

Fig.	P/n	QTY	Name
------	-----	-----	------

**Notes:**

[XL 120.4 T4i Hi Level]

1.1	0.019.9525.3	1	upper hood
4.1	0.013.4290.8/30	1	front hood
4.2	0.012.8465.0	2	screw m 6
4.3	0.012.7257.0/10	2	roller
4.4	2.1149.005.2	4	bush m 6
4.5	2.1140.018.2	2	nut m 6 p.1, d934
5	0.019.0355.2	1	grille
6	2.0129.065.0	39	screw m 6 x 14
7	2.1856.004.0	23	rivet 4
9	0.013.1914.3/20	1	hinge
11	0.013.0881.0/40	1	support
12	2.1559.147.0	4	bushing
13	2.1699.563.0	2	pin 10x70
14	2.0532.003.7	2	grub screw m 5x10
17	0.013.2567.0	1	frame
18	0.014.1709.0/30	1	frame sx/lh/li
19	0.014.1708.0/20	1	frame dx/rh/re
20	0.014.4372.0	1	sealing section
21	2.6859.108.0	7	clamp
24	0.019.0354.0	1	gasket
25	0.018.8461.0/10	1	profile
26	2.6999.074.0	2	clip 6 x 24



**<https://www.ebooklibonline.com>**

Hello dear friend!

Thank you very much for reading.

Enter the link into your browser.

The full manual is available for immediate download.

**<https://www.ebooklibonline.com>**