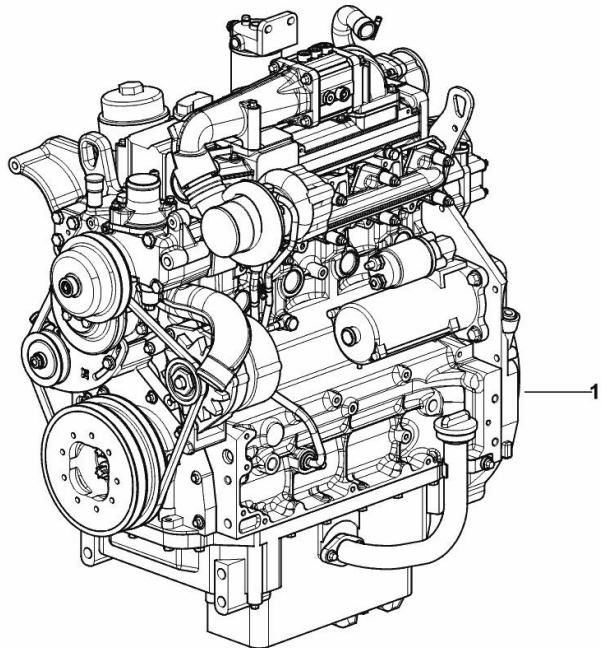


**ENGINE**

<b>Fig.</b>	<b>P/n</b>	<b>QTY</b>	<b>Name</b>
-------------	------------	------------	-------------

**Notes:**  
[XB MAX 100 TRADITION]

1	25007152	1	engine ON ORDERING PLEASE ENGINE NO. REQUIRED
---	----------	---	---



9\_N9219\_01\_0-A-001

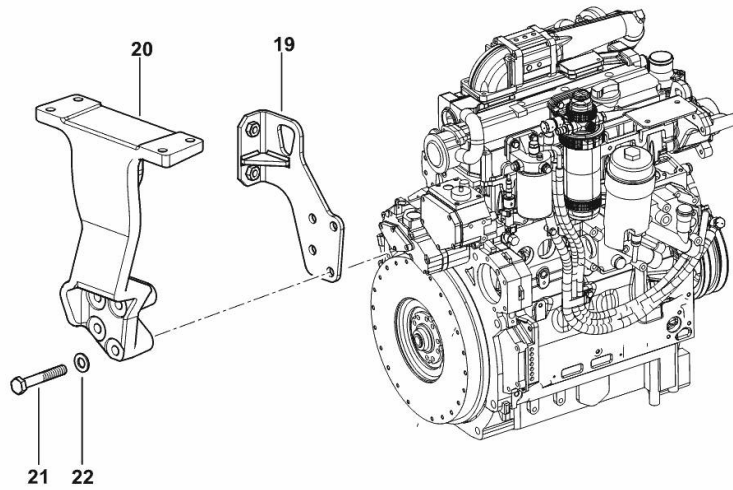
**SUPPORTS**

Fig.	P/n	QTY	Name
------	-----	-----	------

**Notes:**

[XB MAX 100 TRADITION]

19	0.014.9247.3/20	1	bracket
20	0.010.6442.0/10	1	bracket
21	2.0112.322.2	4	screw m 10 p.1.5x65
22	2.1475.003.2	4	washer 10



9\_N9116\_01\_0-B-001

**SERIE GUARNIZIONI**

Fig.	P/n	QTY	Name
------	-----	-----	------

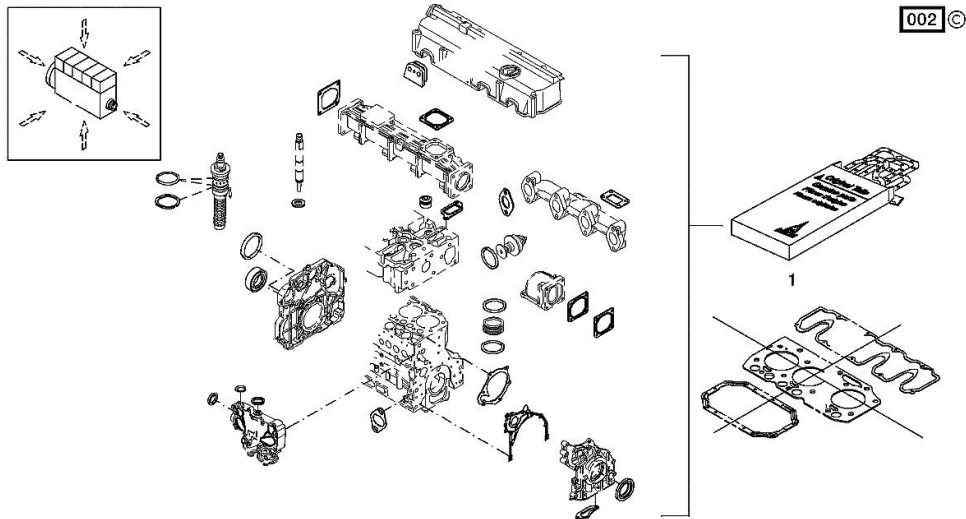
**Notes:**

[XB MAX 100 TRADITION]

**Engine serial number:**

10448707 10449505 10449508 10449514 10511671 10511680 10511682 10511685 10511688 10511691 10511692  
 10724069 10731254 10731261 10740255 10740266 10742184 10744384 10744392 10782432

1	02937585	1	gasket set THE KIT DOES NOT CONTAIN ALL THE GASKETS: SEE SM 0199-99-9449
---	----------	---	--



**<https://www.ebooklibonline.com>**

Hello dear friend!

Thank you very much for reading.

Enter the link into your browser.

The full manual is available for immediate download.

**<https://www.ebooklibonline.com>**

**FASTENINGS**

Fig.	P/n	QTY	Name
------	-----	-----	------

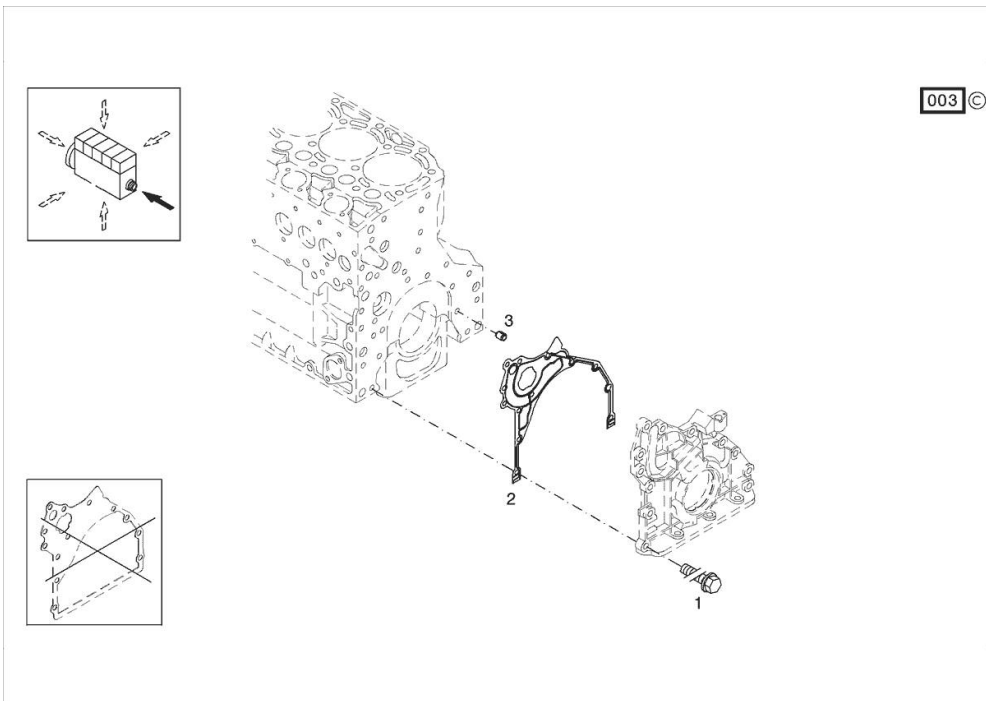
**Notes:**

[XB MAX 100 TRADITION]

**Engine serial number:**

10448707 10449505 10449508 10449514 10511671 10511680 10511682 10511685 10511688 10511691 10511692  
 10724069 10731254 10731261 10740255 10740266 10742184 10744384 10744392 10782432

1	01183645	12	screw EN 1662 -F-M8X35-10.9-ZNAL-A
2	04504325	1	gasket
3	01181406	1	bushing H 2341 -B11X8-FE/ZN12C*



**BUSH**

Fig.	P/n	QTY	Name
------	-----	-----	------

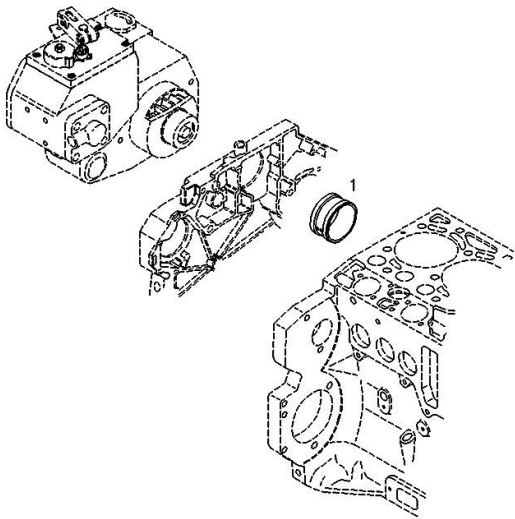
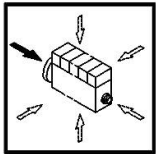
**Notes:**

[XB MAX 100 TRADITION]

**Engine serial number:**

10448707 10449505 10449508 10449514 10511671 10511680 10511682 10511685 10511688 10511691 10511692  
 10724069 10731254 10731261 10740255 10740266 10742184 10744384 10744392 10782432

1	02111679	1	bush
---	----------	---	------



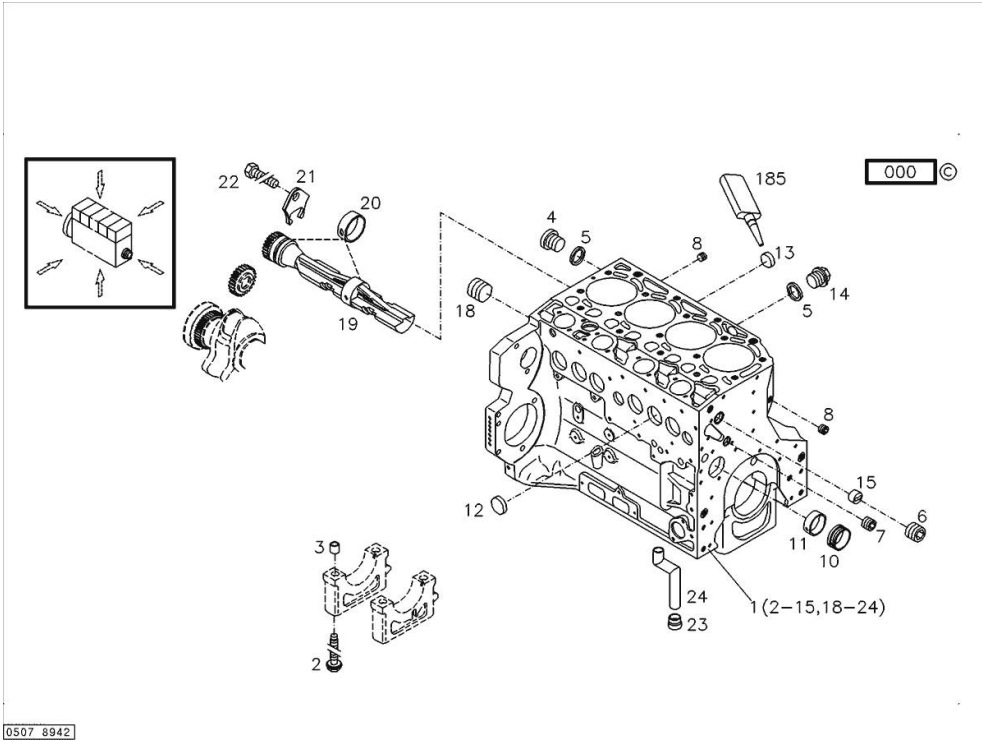
002

0507 2810

Fig.	P/n	QTY	Name
------	-----	-----	------

**Notes:**  
 [XB MAX 100 TRADITION]

**Engine serial number:**  
 10448707 10449505 10449508 10449514 10511671 10511680 10511682 10511685 10511688 10511691 10511692  
 10724069 10731254 10731261

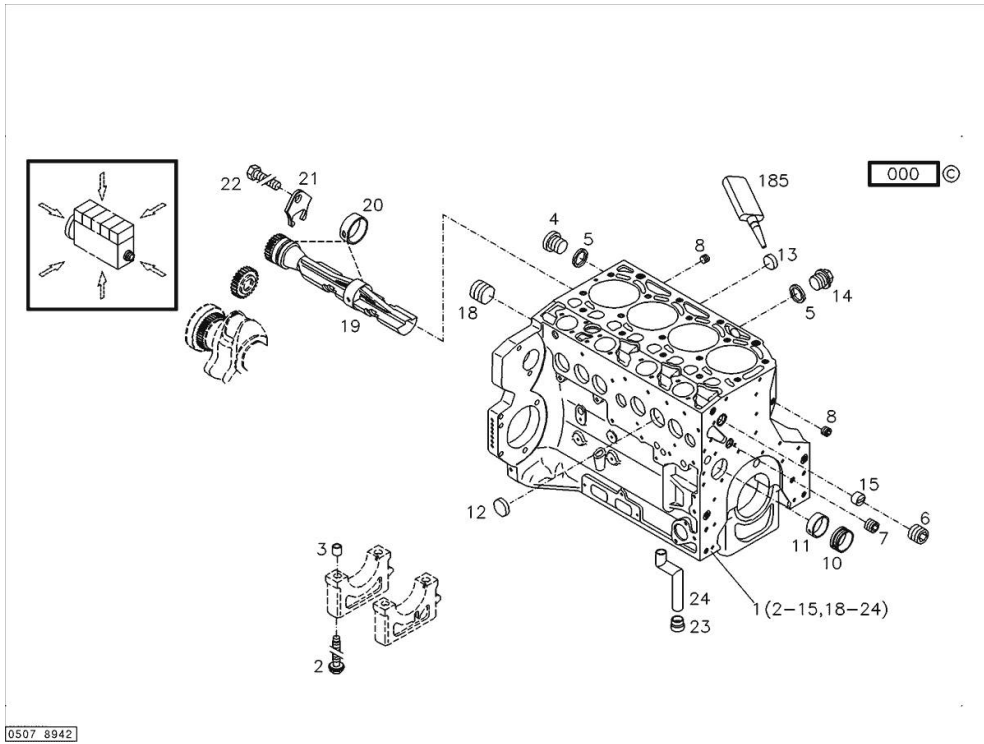


185	01319911	1	sealing compound ml. 50
1	04289939	1	crankcase MIT POS... (2-15,18-24)
2	04254240	10	screw 50 Nm , 90° , 90°
3	04160764	10	bushing
4	01110423	1	screw 35 Nm DIN 908 -M14X1,5-ST-ZNPHRF
5	01118693	3	gasket 14x20 DIN 7603 -A14X20-CU
6	01180890	1	screw 95 Nm H 2812 -906-M30X1,5-ST-A4C-PRE80
7	01180906	1	screw H 2812 -906-M22X1,5-ST-A4C-PRE80
8	01182031	2	screw 35 Nm H 2812 -906-M14X1,5-ST-A3C-LOCTITE506
10	04251884	4	plug
11	04250086	1	ring
12	01148032	6	cover DIN 443 -A45-ZNPHR
13	01179634	4	plug H 2860 -A36-ST-FE/ZNPHR
14	01100940	2	screw 35 Nm DIN 7604 -AM14X1,5-ST-A4C
15	04202518	1	sleeve
18	04226536	1	bottom 30 Nm
19	04259301	2	shaft
20	04252834	4	bush
21	04251810	2	plug
22	01181672	2	nut H 2091 -4017-M8X16-10.9-GESCHW-MK-1.0

0507 8942

**KURBELGEHAEUSE**

Fig.	P/n	QTY	Name
23	04255998	1	ring
24	04254026	1	pipng



**BLEEDING TUBE**

Fig.	P/n	QTY	Name
------	-----	-----	------

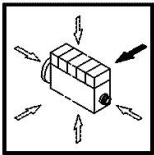
**Notes:**

[XB MAX 100 TRADITION]

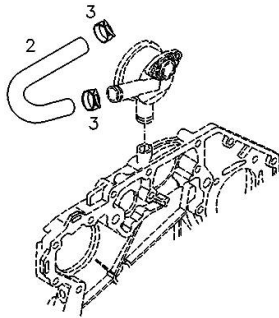
**Engine serial number:**

10448707 10449505 10449508 10449514 10511671 10511680 10511682 10511685 10511688 10511691 10511692  
 10724069 10731254 10731261 10740255 10740266 10742184 10744384 10744392 10782432

2	04258132	1	tube
3	01178750	2	clamp
			DIN 3021 -A-29X15



000 ©



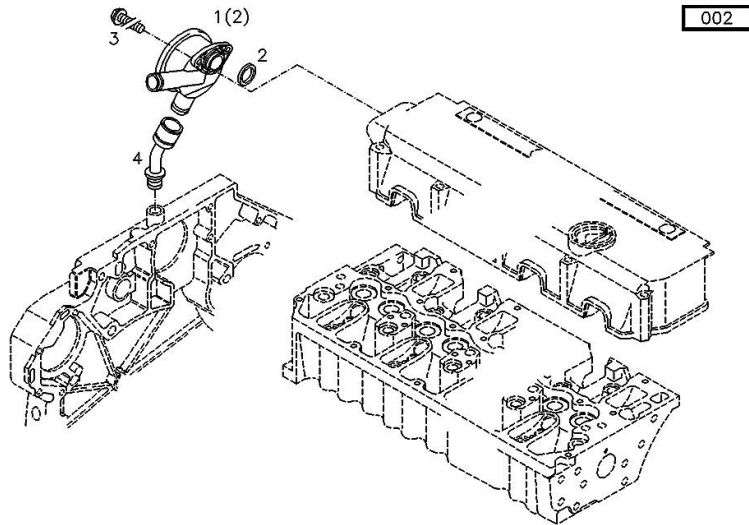
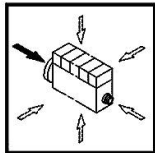
**CRANKCASE BREATHER**

Fig.	P/n	QTY	Name
------	-----	-----	------

**Notes:**  
 [XB MAX 100 TRADITION]

**Engine serial number:**  
 10448707 10449505 10449508 10449514 10511671 10511680 10511682 10511685 10511688 10511691 10511692  
 10724069 10731254 10731261 10740255 10740266 10742184 10744384 10744392 10782432

1	04203321	1	valve WITH POS.... (2)
2	04206233	1	gasket
3	01148431	2	screw - FROM THE MONTH OF ASSEMBLY SEE POS. ( B ) - UP TO THE MONTH OF ASSEMBLY ( A ) FROM THE MONTH OF ASSEMBLY A = 09.1995 B = POS. 950 ISO 4762 -M6X20-8.8-ZNAL-A
4	04207290	1	pipng
5	01124654	2	washer 6,4 d433 ISO 7092 -6-140HV-A4C*
950	01181965	2	screw - UP TO MONTH OF ASSEMBLY ( A ) - FROM MONTH OF ASSEMBLY SEE POS. ( B ) A = 08.1995 B = POS. 3 EN 1662 -F-M6X20-10.9-ZNAL-A





**Suggest:**

**For more complete manuals. Please go to the home page.**

**<https://www.ebooklibonline.com>**

**If the above button click is invalid. Please download this document first, and then click the above link to download the complete manual.**

**Thank you so much for reading**

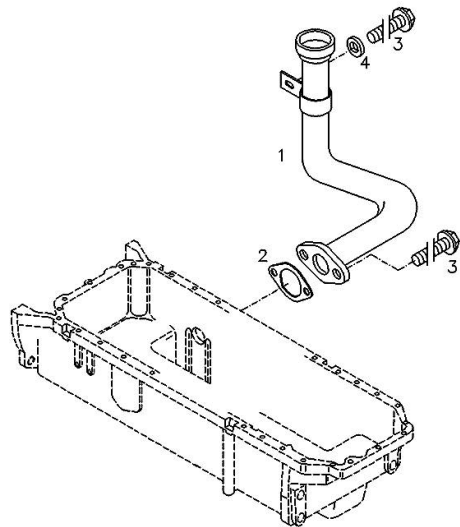
Section: B0 - ENGINE  
**OIL FILLER NECK**

Fig.	P/n	QTY	Name
------	-----	-----	------

**Notes:**  
 [XB MAX 100 TRADITION]

**Engine serial number:**  
 10448707 10449505 10449508 10449514 10511671 10511680 10511682 10511685 10511688 10511691 10511692  
 10724069 10731254 10731261 10740255 10740266 10742184 10744384 10744392 10782432

1	04251494	1	tube
2	01178421	1	gasket DIN 71511 -35X58X1,5-DEUTZFW31
3	01181433	3	screw EN 1662 -F-M8X20-LG2,5-10.9-ZNAL-A
4	01214459	1	washer 8,5x20x5



000

**ACCESSORIES**

<b>Fig.</b>	<b>P/n</b>	<b>QTY</b>	<b>Name</b>
-------------	------------	------------	-------------

**Notes:**

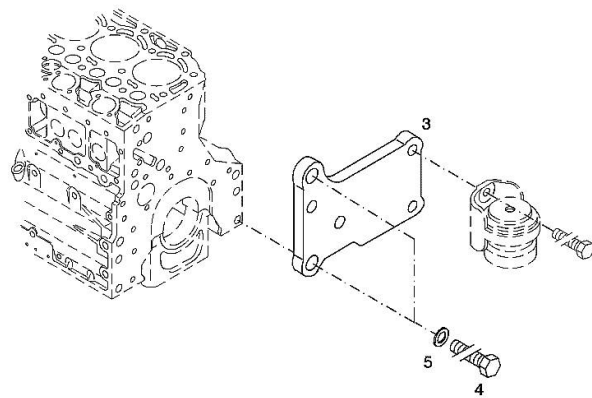
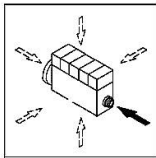
[XB MAX 100 TRADITION]

**Engine serial number:**

10448707 10449505 10449508 10449514 10511671 10511680 10511682 10511685 10511688 10511691 10511692  
 10724069 10731254 10731261 10740255 10740266 10742184 10744384 10744392 10782432

3	04288659	1	support
4	01148261	2	screw ISO 4017 -M16X40-10.9-ZNAL-A
5	01181400	2	washer H 2308 -18X25X1,5-A4C

006 ©



**<https://www.ebooklibonline.com>**

Hello dear friend!

Thank you very much for reading.

Enter the link into your browser.

The full manual is available for immediate download.

**<https://www.ebooklibonline.com>**