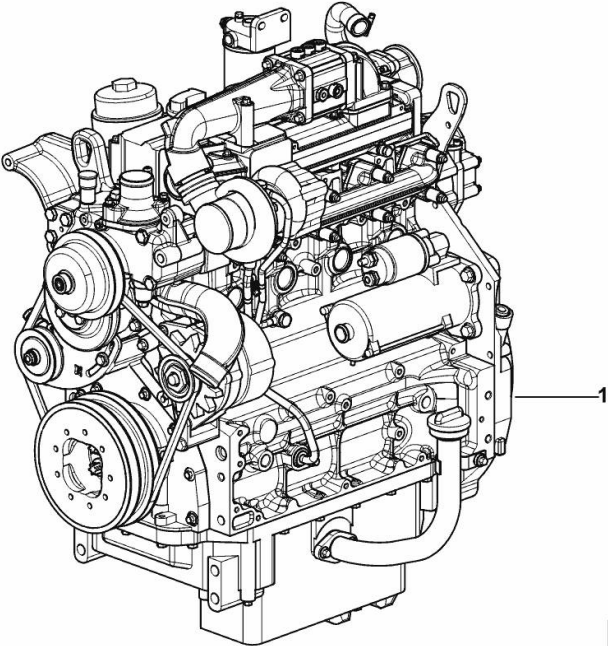


ENGINE

Fig.	P/n	QTY	Name
-------------	------------	------------	-------------

Notes:
- EXPORT U.S.A. [XB MAX 100]

1	25007904	1	engine ON ORDERING PLEASE ENGINE NO. REQUIRED
---	----------	---	---



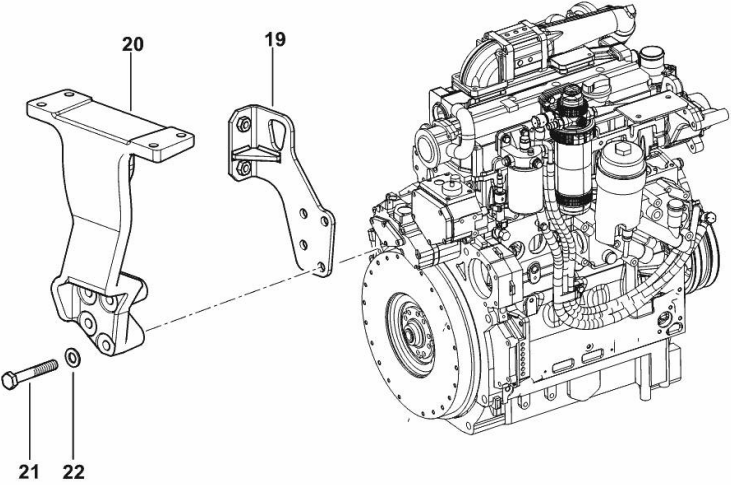
9_N9219_03_0-A-001

SUPPORTS

Fig.	P/n	QTY	Name
-------------	------------	------------	-------------

Notes:
[XB MAX 100]

19	0.014.9247.3/20	1	bracket
20	0.010.6442.0/10	1	bracket
21	2.0112.322.2	4	screw m 10 p.1.5x65
22	2.1475.003.2	4	washer 10



9_N9116_01_0-B-001

FASTENINGS

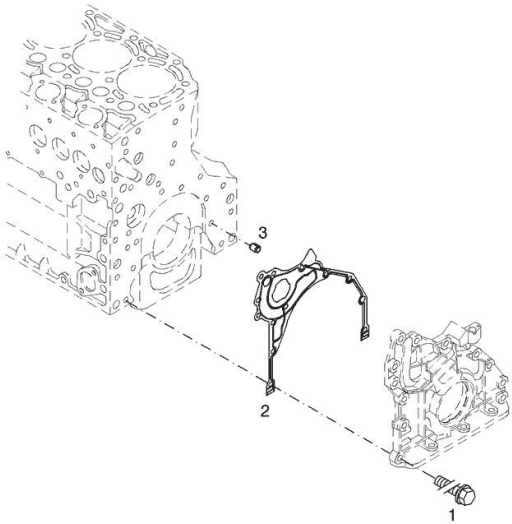
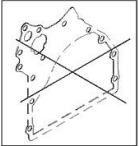
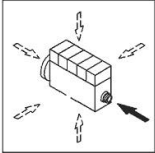
Fig.	P/n	QTY	Name
------	-----	-----	------

Notes:
[XB MAX 100]

Engine serial number:
 10186042 10250001 10250002 10308597 10315966 10323195 10326439 10332826 10332829 10332843 10342314
 10342315 10342317 10368120 10381027 10388672 10394944 10398908 10410563 10415659 10449516 10454303
 10462177 10462187 10489815 10489819 10490522 10494249 10494253 10498508 10498516 10500466 10507120
 10507143 10511668 10511669 10530287 10543266 10724848 10724852 10724855 10724864 10724865 10724870
 10724879 10724881 10724882 10724889 10724890 10726905 10748595 10749563 10749578 10749992 10751318
 10751323 10751331 10751333 10751337 66000399 66000472 66000480 66000534 66000599

1	01183645	12	screw EN 1662 -F-M8X35-10.9-ZNAL-A
2	04504325	1	gasket
3	01181406	1	bushing H 2341 -B11X8-FE/ZN12C*

003 ©



<https://www.ebooklibonline.com>

Hello dear friend!

Thank you very much for reading.

Enter the link into your browser.

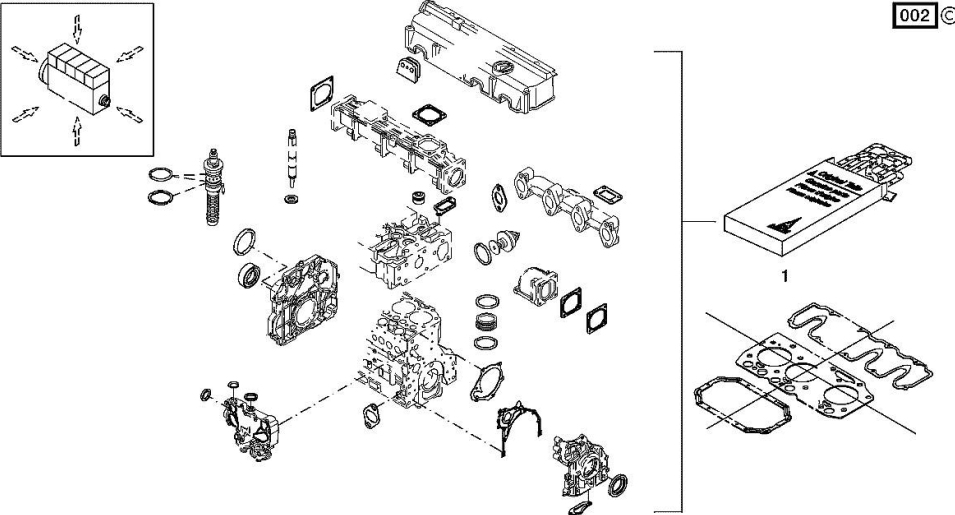
The full manual is available for immediate download.

<https://www.ebooklibonline.com>

Fig.	P/n	QTY	Name
------	-----	-----	------

Notes:
[XB MAX 100]

Engine serial number:
 10186042 10250001 10250002 10308597 10315966 10323195 10326439 10332826 10332829 10332843 10342314
 10342315 10342317 10368120 10381027 10388672 10394944 10398908 10410563 10415659 10449516 10454303
 10462177 10462187 10489815 10489819 10490522 10494249 10494253 10498508 10498516 10500466 10507120
 10507143 10511668 10511669 10530287 10543266 10724848 10724852 10724855 10724864 10724865 10724870
 10724879 10724881 10724882 10724889 10724890 10726905 10748595 10749563 10749578 10749992 10751318
 10751323 10751331 10751333 10751337 66000399 66000472 66000480 66000534 66000599



1	02937585	1	gasket set THE KIT DOES NOT CONTAIN ALL THE GASKETS: SEE SM 0199-99-9449
---	----------	---	--

BUSH

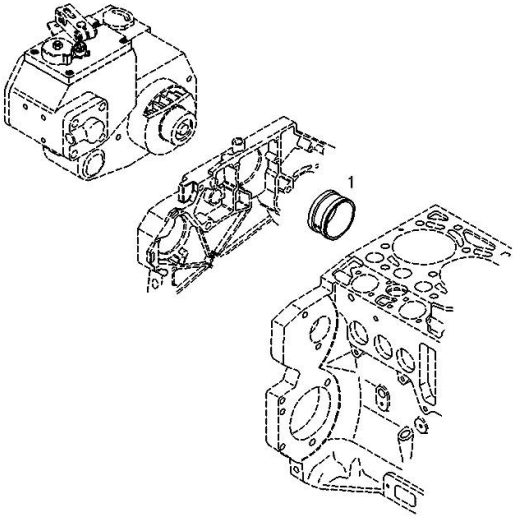
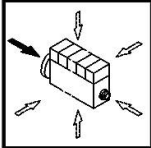
Fig.	P/n	QTY	Name
------	-----	-----	------

Notes:
[XB MAX 100]

Engine serial number:
10186042 10250001 10250002 10308597 10315966 10323195 10326439 10332826 10332829 10332843 10342314
10342315 10342317 10368120 10381027 10388672 10394944 10398908 10410563 10415659 10449516 10454303
10462177 10462187 10489815 10489819 10490522 10494249 10494253 10498508 10498516 10500466 10507120
10507143 10511668 10511669 10530287 10543266 10724848 10724852 10724855 10724864 10724865 10724870
10724879 10724881 10724882 10724889 10724890 10726905 10748595 10749563 10749578 10749992 10751318
10751323 10751331 10751333 10751337 66000399 66000472 66000480 66000534 66000599

1	02111679	1	bush
---	----------	---	------

002



0507 2810

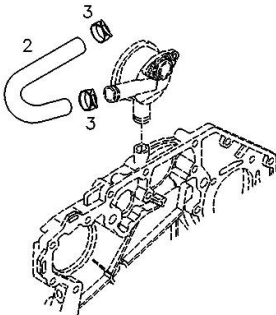
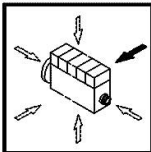
BLEEDING TUBE

Fig.	P/n	QTY	Name
------	-----	-----	------

Notes:
[XB MAX 100]

Engine serial number:
10186042 10250001 10250002 10308597 10315966 10323195 10326439 10332826 10332829 10332843 10342314
10342315 10342317 10368120 10381027 10388672 10394944 10398908 10410563 10415659 10449516 10454303
10462177 10462187 10489815 10489819 10490522 10494249 10494253 10498508 10498516 10500466 10507120
10507143 10511668 10511669 10530287 10543266 10724848 10724852 10724855 10724864 10724865 10724870
10724879 10724881 10724882 10724889 10724890 10726905 10748595 10749563 10749578 10749992 10751318
10751323 10751331 10751333 10751337 66000399 66000472 66000480 66000534 66000599

2	04258132	1	tube
3	01178750	2	clamp DIN 3021 -A-29X15



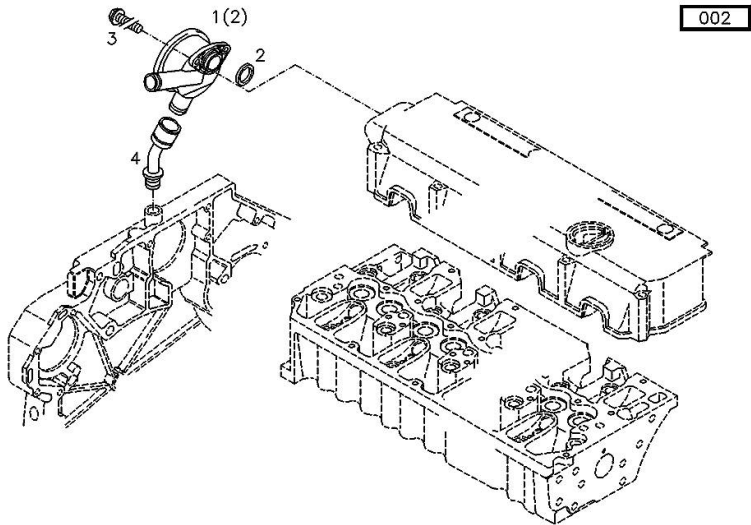
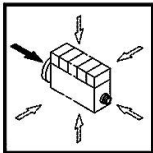
Section: B0 - ENGINE
CRANKCASE BREATHER

Fig.	P/n	QTY	Name
------	-----	-----	------

Notes:
[XB MAX 100]

Engine serial number:
10186042 10250001 10250002 10308597 10315966 10323195 10326439 10332826 10332829 10332843 10342314
10342315 10342317 10368120 10381027 10388672 10394944 10398908 10410563 10415659 10449516 10454303
10462177 10462187 10489815 10489819 10490522 10494249 10494253 10498508 10498516 10500466 10507120
10507143 10511668 10511669 10530287 10543266 10724848 10724852 10724855 10724864 10724865 10724870
10724879 10724881 10724882 10724889 10724890 10726905 10748595 10749563 10749578 10749992 10751318
10751323 10751331 10751333 10751337 66000399 66000472 66000480 66000534 66000599

1	04203321	1	valve WITH POS.... (2)
2	04206233	1	gasket
3	01148431	2	screw - FROM THE MONTH OF ASSEMBLY SEE POS. (B) - UP TO THE MONTH OF ASSEMBLY (A) FROM THE MONTH OF ASSEMBLY A = 09.1995 B = POS. 950 ISO 4762 -M6X20-8.8-ZNAL-A
4	04207290	1	pipng
5	01124654	2	washer 6,4 d433 ISO 7092 -6-140HV-A4C*
950	01181965	2	screw - UP TO MONTH OF ASSEMBLY (A) - FROM MONTH OF ASSEMBLY SEE POS. (B) A = 08.1995 B = POS. 3 EN 1662 -F-M6X20-10.9-ZNAL-A



0507 1876

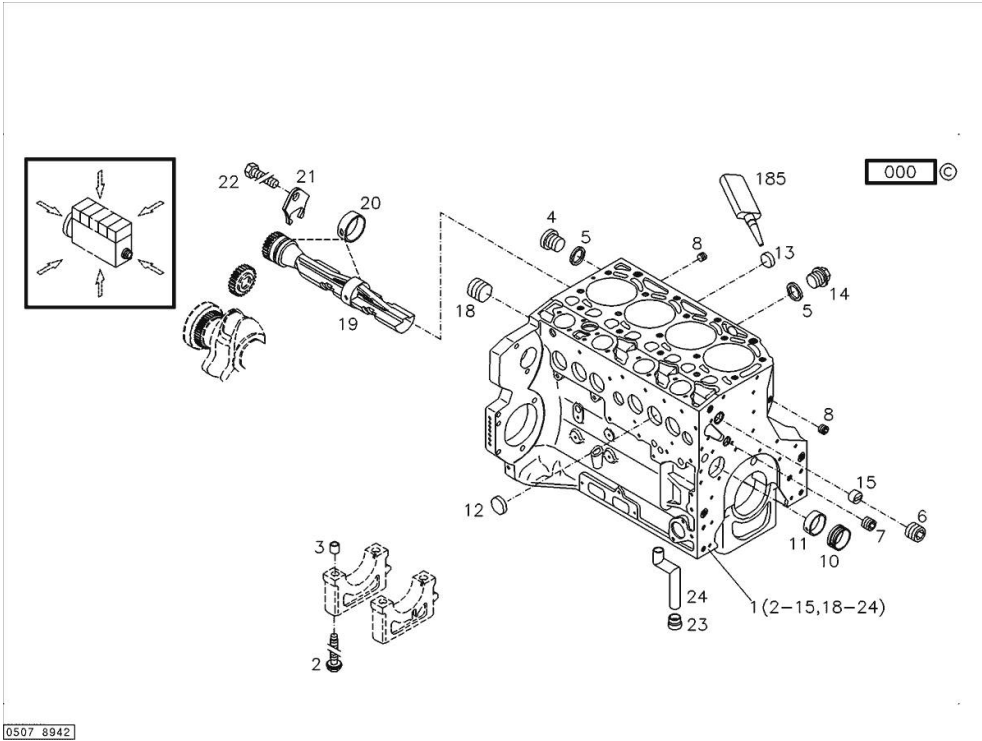
Section: B0 - ENGINE
KURBELGEHAEUSE

Fig.	P/n	QTY	Name
------	-----	-----	------

Notes:
 [XB MAX 100]

Engine serial number:

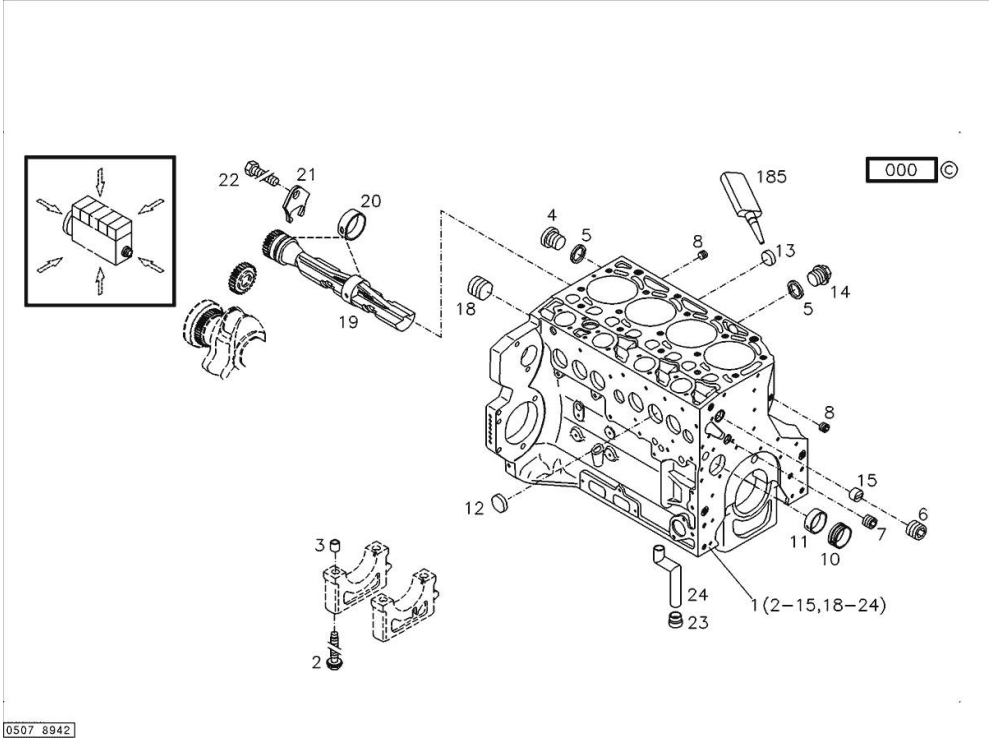
10186042 10250001 10250002 10308597 10315966 10323195 10326439 10332826 10332829 10332843 10342314
 10342315 10342317 10368120 10381027 10388672 10394944 10398908 10410563 10415659 10449516 10454303
 10462177 10462187 10489815 10489819 10490522 10494249 10494253 10498508 10498516 10500466 10507120
 10507143 10511668 10511669 10530287 10543266 10724848 10724852 10724855 10724864 10724865 10724870
 10724879 10724881 10724882 10724889 10724890 10726905 66000399 66000472 66000480 66000534 66000599



185	01319911	1	sealing compound ml. 50
1	04289939	1	crankcase MIT POS.... (2-15,18-24)
2	04254240	10	screw 50 Nm , 90° , 90°
3	04160764	10	bushing
4	01110423	1	screw 35 Nm DIN 908 -M14X1,5-ST-ZNPHRF
5	01118693	3	gasket 14x20 DIN 7603 -A14X20-CU
6	01180890	1	screw 95 Nm H 2812 -906-M30X1,5-ST-A4C-PRE80
7	01180906	1	screw H 2812 -906-M22X1,5-ST-A4C-PRE80
8	01182031	2	screw 35 Nm H 2812 -906-M14X1,5-ST-A3C-LOCTITE506
10	04251884	4	plug
11	04250086	1	ring
12	01148032	6	cover DIN 443 -A45-ZNPHR
13	01179634	4	plug H 2860 -A36-ST-FE/ZNPHR
14	01100940	2	screw 35 Nm DIN 7604 -AM14X1,5-ST-A4C
15	04202518	1	sleeve
18	04226536	1	bottom 30 Nm
19	04259301	2	shaft
20	04252834	4	bush

Section: B0 - ENGINE
KURBELGEHAEUSE

Fig.	P/n	QTY	Name
21	04251810	2	plug
22	01181672	2	nut
23	04255998	1	ring
24	04254026	1	piping





Suggest:

For more complete manuals. Please go to the home page.

<https://www.ebooklibonline.com>

If the above button click is invalid. Please download this document first, and then click the above link to download the complete manual.

Thank you so much for reading

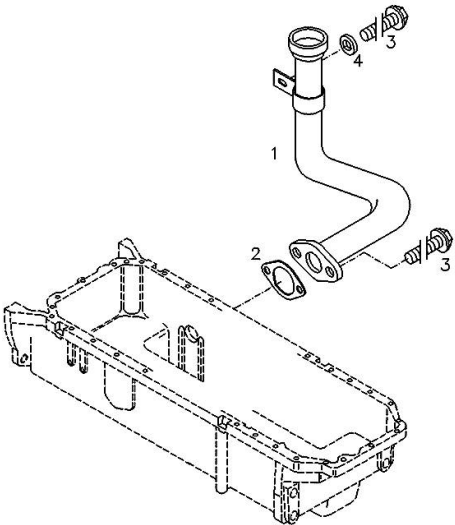
Section: B0 - ENGINE
OIL FILLER NECK

Fig.	P/n	QTY	Name
------	-----	-----	------

Notes:
[XB MAX 100]

Engine serial number:
10186042 10250001 10250002 10308597 10315966 10323195 10326439 10332826 10332829 10332843 10342314
10342315 10342317 10368120 10381027 10388672 10394944 10398908 10410563 10415659 10449516 10454303
10462177 10462187 10489815 10489819 10490522 10494249 10494253 10498508 10498516 10500466 10507120
10507143 10511668 10511669 10530287 10543266 10724848 10724852 10724855 10724864 10724865 10724870
10724879 10724881 10724882 10724889 10724890 10726905 10748595 10749563 10749578 10749992 10751318
10751323 10751331 10751333 10751337 66000399 66000472 66000480 66000534 66000599

1	04251494	1	tube
2	01178421	1	gasket
3	01181433	3	screw DIN 71511 -35X58X1,5-DEUTZFW31
4	01214459	1	washer 8,5x20x5 EN 1662 -F-M8X20-LG2,5-10.9-ZNAL-A



000

ACCESSORIES

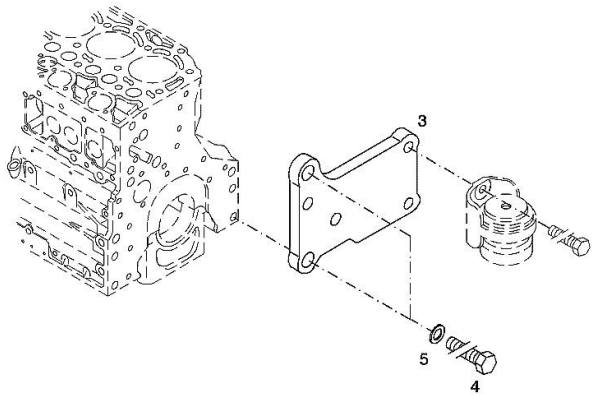
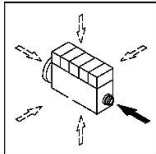
Fig.	P/n	QTY	Name
-------------	------------	------------	-------------

Notes:
[XB MAX 100]

Engine serial number:
 10186042 10250001 10250002 10308597 10315966 10323195 10326439 10332826 10332829 10332843 10342314
 10342315 10342317 10368120 10381027 10388672 10394944 10398908 10410563 10415659 10449516 10454303
 10462177 10462187 10489815 10489819 10490522 10494249 10494253 10498508 10498516 10500466 10507120
 10507143 10511668 10511669 10530287 10543266 10724848 10724852 10724855 10724864 10724865 10724870
 10724879 10724881 10724882 10724889 10724890 10726905 10748595 10749563 10749578 10749992 10751318
 10751323 10751331 10751333 10751337 66000399 66000472 66000480 66000534 66000599

006 ©

3	04288659	1	support
4	01148261	2	screw ISO 4017 -M16X40-10.9-ZNAL-A
5	01181400	2	washer H 2308 -18X25X1,5-A4C



<https://www.ebooklibonline.com>

Hello dear friend!

Thank you very much for reading.

Enter the link into your browser.

The full manual is available for immediate download.

<https://www.ebooklibonline.com>