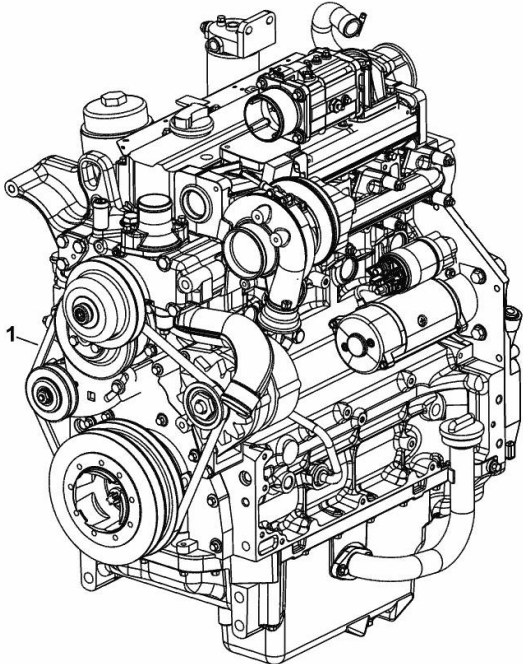


ENGINE

Fig.	P/n	QTY	Name
-------------	------------	------------	-------------

Notes:
- NOT FOR EUROPEAN MARKET [XB MAX 100 -> 16001]

1	25009744	1	engine ON ORDERING PLEASE ENGINE NO. REQUIRED
---	----------	---	---



9_03019_05_0-A-001

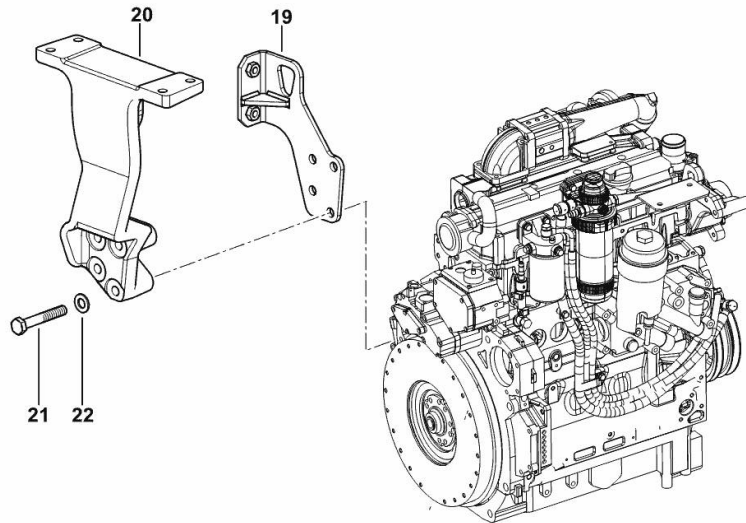
SUPPORTS

Fig.	P/n	QTY	Name
------	-----	-----	------

Notes:

[XB MAX 100 -> 16001]

19	0.014.9247.3/20	1	bracket
20	0.010.6442.0/10	1	bracket
21	2.0112.322.2	4	screw m 10 p.1.5x65
22	2.1475.003.2	4	washer 10



9_O3016_01_0-B-001

FASTENINGS

Fig.	P/n	QTY	Name
-------------	------------	------------	-------------

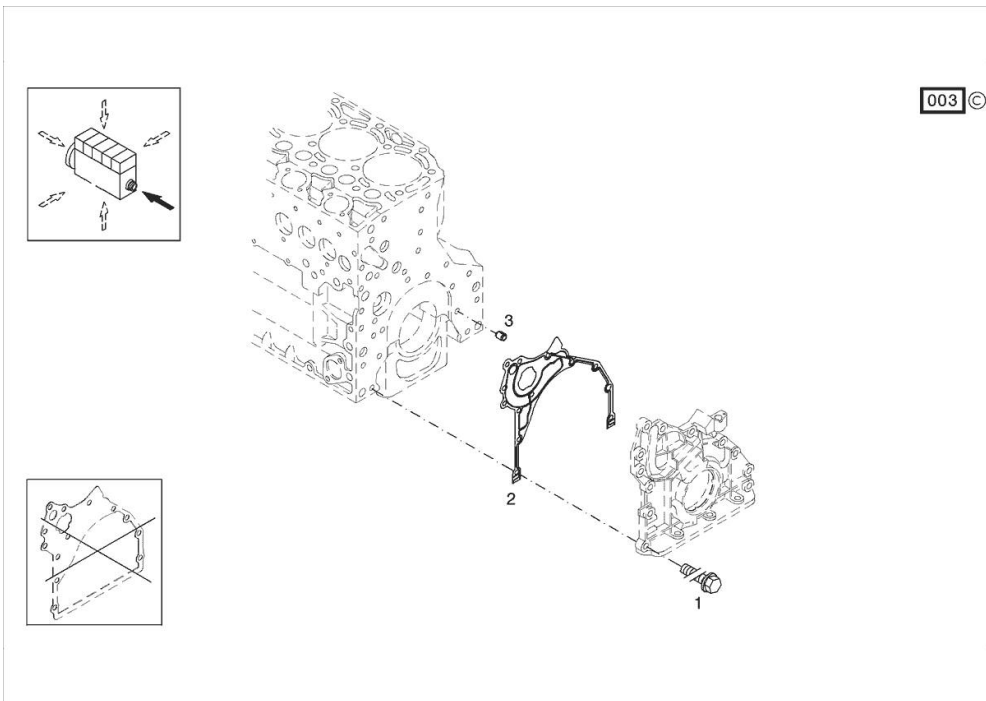
Notes:

[XB MAX 100 -> 16001]

Engine serial number:

10812866 10817212 10817217 10817218 10835195 10835196 10842049 10861348 10868468 10881937 10961620
 11039729 11039730 11039783 11083039 11147630 11161752 11176556 11176557 11182190 11182194 11185043
 11288910 11288913

1	01183645	12	screw EN 1662 -F-M8X35-10.9-ZNAL-A
2	04504325	1	gasket
3	01181406	1	bushing H 2341 -B11X8-FE/ZN12C*



<https://www.ebooklibonline.com>

Hello dear friend!

Thank you very much for reading.

Enter the link into your browser.

The full manual is available for immediate download.

<https://www.ebooklibonline.com>

Section: B0 - ENGINE

BLEEDING TUBE

Fig.	P/n	QTY	Name
------	-----	-----	------

Notes:

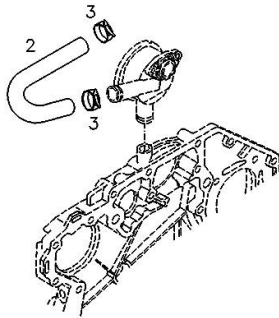
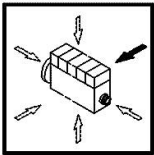
[XB MAX 100 -> 16001]

Engine serial number:

10812866 10817212 10817217 10817218 10835195 10835196 10842049 10861348 10868468 10881937 10961620
 11039729 11039730 11039783 11083039 11147630 11161752 11176556 11176557 11182190 11182194 11185043
 11288910 11288913

2	04258132	1	tube
3	01178750	2	clamp DIN 3021 -A-29X15

000 ©



CRANKCASE BREATHER

Fig.	P/n	QTY	Name
------	-----	-----	------

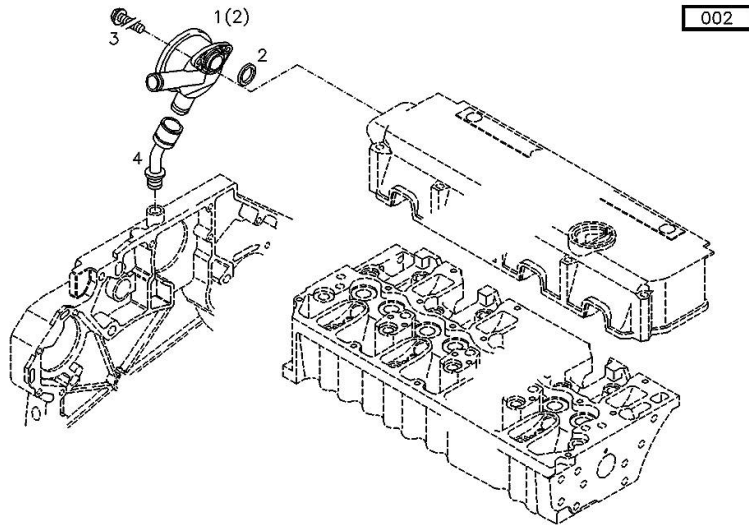
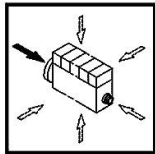
Notes:

[XB MAX 100 -> 16001]

Engine serial number:

10812866 10817212 10817217 10817218 10835195 10835196 10842049 10861348 10868468 10881937 10961620
 11039729 11039730 11039783 11083039 11147630 11161752 11176556 11176557 11182190 11182194 11185043
 11288910 11288913

1	04203321	1	valve WITH POS.... (2)
2	04206233	1	gasket
3	01148431	2	screw - FROM THE MONTH OF ASSEMBLY SEE POS. (B) - UP TO THE MONTH OF ASSEMBLY (A) FROM THE MONTH OF ASSEMBLY A = 09.1995 B = POS. 950 ISO 4762 -M6X20-8.8-ZNAL-A
4	04207290	1	pipng
5	01124654	2	washer 6,4 d433 ISO 7092 -6-140HV-A4C*
950	01181965	2	screw - UP TO MONTH OF ASSEMBLY (A) - FROM MONTH OF ASSEMBLY SEE POS. (B) A = 08.1995 B = POS. 3 EN 1662 -F-M6X20-10.9-ZNAL-A

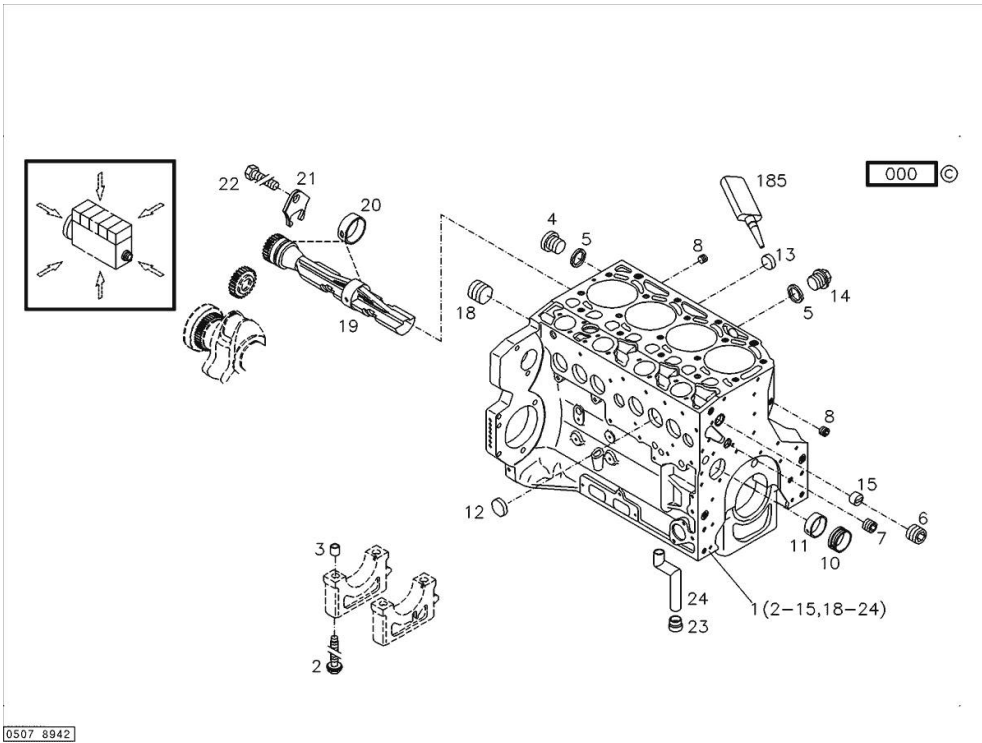


Section: B0 - ENGINE
KURBELGEHAEUSE

Fig.	P/n	QTY	Name
------	-----	-----	------

Notes:

[XB MAX 100 -> 16001]



185	01319911	1	sealing compound ml. 50
1	04289939	1	crankcase MIT POS.... (2-15,18-24)
2	04254240	10	screw 50 Nm , 90° , 90°
3	04160764	10	bushing
4	01110423	1	screw 35 Nm DIN 908 -M14X1,5-ST-ZNPHRF
5	01118693	3	gasket 14x20 DIN 7603 -A14X20-CU
6	01180890	1	screw 95 Nm H 2812 -906-M30X1,5-ST-A4C-PRE80
7	01180906	1	screw H 2812 -906-M22X1,5-ST-A4C-PRE80
8	01182031	2	screw 35 Nm H 2812 -906-M14X1,5-ST-A3C-LOCTITE506
10	04251884	4	plug
11	04250086	1	ring
12	01148032	6	cover DIN 443 -A45-ZNPHR
13	01179634	4	plug H 2860 -A36-ST-FE/ZNPHR
14	01100940	2	screw 35 Nm DIN 7604 -AM14X1,5-ST-A4C
15	04202518	1	sleeve
18	04226536	1	bottom 30 Nm
19	04259301	2	shaft
20	04252834	4	bush
21	04251810	2	plug
22	01181672	2	nut H 2091 -4017-M8X16-10.9-GESCHW-MK-1.0
23	04255998	1	ring
24	04254026	1	piping

OIL FILLER NECK

Fig.	P/n	QTY	Name
------	-----	-----	------

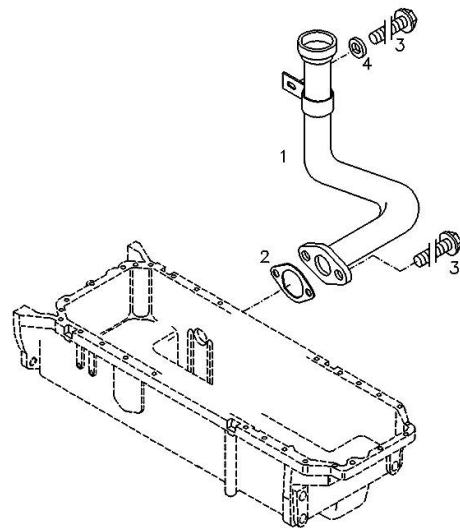
Notes:

[XB MAX 100 -> 16001]

Engine serial number:

10812866 10817212 10817217 10817218 10835195 10835196 10842049 10861348 10868468 10881937 10961620
 11039729 11039730 11039783 11083039 11147630 11161752 11176556 11176557 11182190 11182194 11185043
 11288910 11288913

1	04251494	1	tube
2	01178421	1	gasket DIN 71511 -35X58X1,5-DEUTZFW31
3	01181433	3	screw EN 1662 -F-M8X20-LG2,5-10.9-ZNAL-A
4	01214459	1	washer 8,5x20x5



000

ACCESSORIES

Fig.	P/n	QTY	Name
-------------	------------	------------	-------------

Notes:

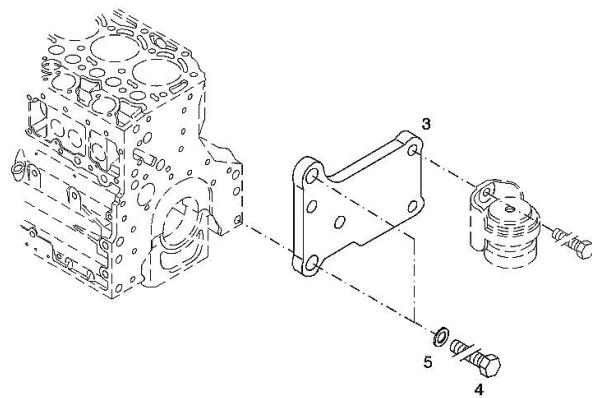
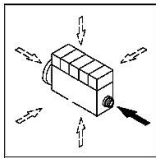
[XB MAX 100 -> 16001]

Engine serial number:

10812866 10817212 10817217 10817218 10835195 10835196 10842049 10861348 10868468 10881937 10961620
 11039729 11039730 11039783 11083039 11147630 11161752 11176556 11176557 11182190 11182194 11185043
 11288910 11288913

3	04288659	1	support
4	01148261	2	screw ISO 4017 -M16X40-10.9-ZNAL-A
5	01181400	2	washer H 2308 -18X25X1,5-A4C

006 ©



ACCESSORIES

Fig.	P/n	QTY	Name
-------------	------------	------------	-------------

Notes:

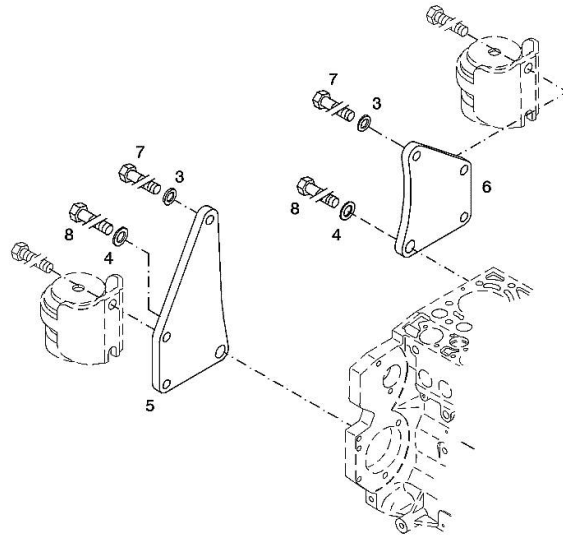
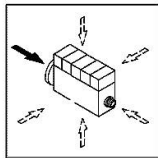
[XB MAX 100 -> 16001]

Engine serial number:

10812866 10817212 10817217 10817218 10835195 10835196 10842049 10861348 10868468 10881937 10961620
 11039729 11039730 11039783 11083039 11147630 11161752 11176556 11176557 11182190 11182194 11185043
 11288910 11288913

003 ©

3	01182016	2	disc H 2308 -13X24X3-ZNAL-A
4	01181400	2	washer H 2308 -18X25X1,5-A4C
5	04206926	1	plate dx/rh/re
6	04206927	1	plate sx/lh/li
7	01148137	2	screw - UP TO MONTH OF ASSEMBLY (A) - FROM MONTH OF ASSEMBLY SEE POS. (B) A = 06.2009 B = POS. 950 DIN 931 -M12X75-10.9-ZNAL-A
8	01148037	2	screw UP TO MONTH OF ASSEMBLY (A) - FROM MONTH OF ASSEMBLY SEE POS. (B) A = 06.2009 B = POS. 951 ISO 4014 -M16X75-10.9-OELGESCHW
950	01149017	2	screw - FROM MONTH OF ASSEMBLY SEE POS. (B) - UP TO MONTH OF ASSEMBLY (A) FROM MONTH OF ASSEMBLY A = 07.2009 B = 7 DIN 34800 -BM12X75-10.9-ZNAL-A
951	01180235	2	screw - FROM MONTH OF ASSEMBLY SEE POS. (B) - UP TO MONTH OF ASSEMBLY (A) FROM MONTH OF ASSEMBLY A = 07.2009 B= Pos.8 H 2032 -HBM16X75-10.9-GESCHW



ACCESSORIES

Fig.	P/n	QTY	Name
-------------	------------	------------	-------------

Notes:

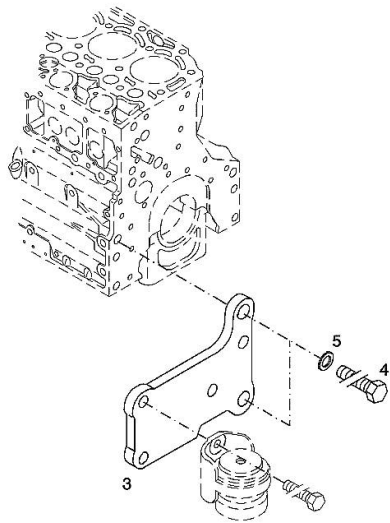
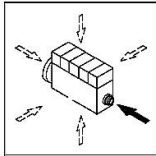
[XB MAX 100 -> 16001]

Engine serial number:

10812866 10817212 10817217 10817218 10835195 10835196 10842049 10861348 10868468 10881937 10961620
 11039729 11039730 11039783 11083039 11147630 11161752 11176556 11176557 11182190 11182194 11185043
 11288910 11288913

3	04288660	1	support
4	01148261	2	screw ISO 4017 -M16X40-10.9-ZNAL-A
5	01181400	2	washer H 2308 -18X25X1,5-A4C

003 ©



FILLER CAP

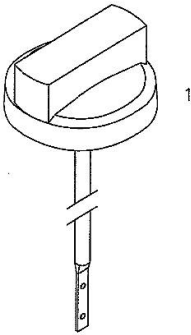
Fig.	P/n	QTY	Name
------	-----	-----	------

Notes:
[XB MAX 100 -> 16001]

Engine serial number:
10812866 10817212 10817217 10817218 10835195 10835196 10842049 10861348 10868468 10881937 10961620
11039729 11039730 11039783 11083039 11147630 11161752 11176556 11176557 11182190 11182194 11185043
11288910 11288913

1	01180286	1	plug H 2875 -B2-OL40-166X4-130X12
---	----------	---	--------------------------------------

000



PISTON COOL.NOZZLE

Fig.	P/n	QTY	Name
------	-----	-----	------

Notes:

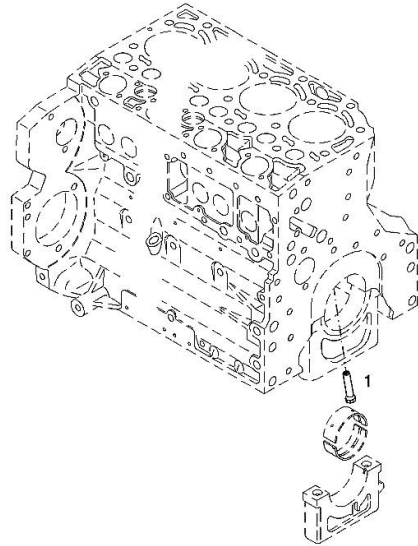
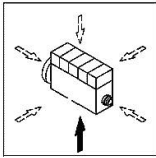
[XB MAX 100 -> 16001]

Engine serial number:

10812866 10817212 10817217 10817218 10835195 10835196 10842049 10861348 10868468 10881937 10961620
 11039729 11039730 11039783 11083039 11147630 11161752 11176556 11176557 11182190 11182194 11185043
 11288910 11288913

1	04207521	1	sprayers
---	----------	---	----------

001 ©



FLANGE

Fig.	P/n	QTY	Name
------	-----	-----	------

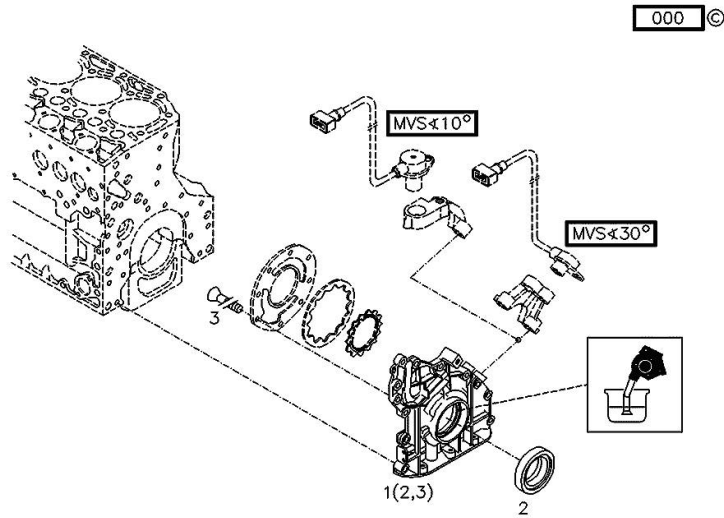
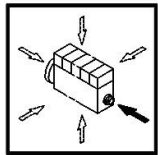
Notes:

[XB MAX 100 -> 16001]

Engine serial number:

10812866 10817212 10817217 10817218 10835195 10835196 10842049 10861348 10868468 10881937 10961620

1	04283992	1	oil pump WITH POS.... (2,3)
2	04253372	1	oil seal
3	01133718	8	screw DIN 7991 -M6X16-8.8-A4C





Suggest:

For more complete manuals. Please go to the home page.

<https://www.ebooklibonline.com>

If the above button click is invalid. Please download this document first, and then click the above link to download the complete manual.

Thank you so much for reading

Section: B0 - ENGINE
KURBELGEHAEUSE

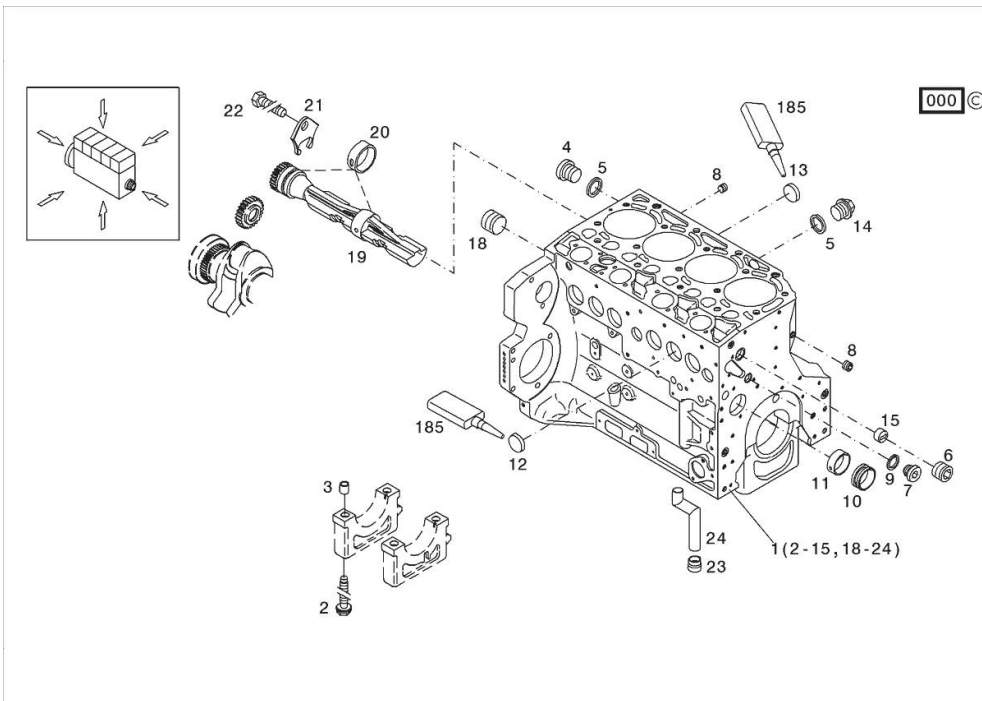
Fig.	P/n	QTY	Name
------	-----	-----	------

Notes:

[XB MAX 100 -> 16001]

Engine serial number:

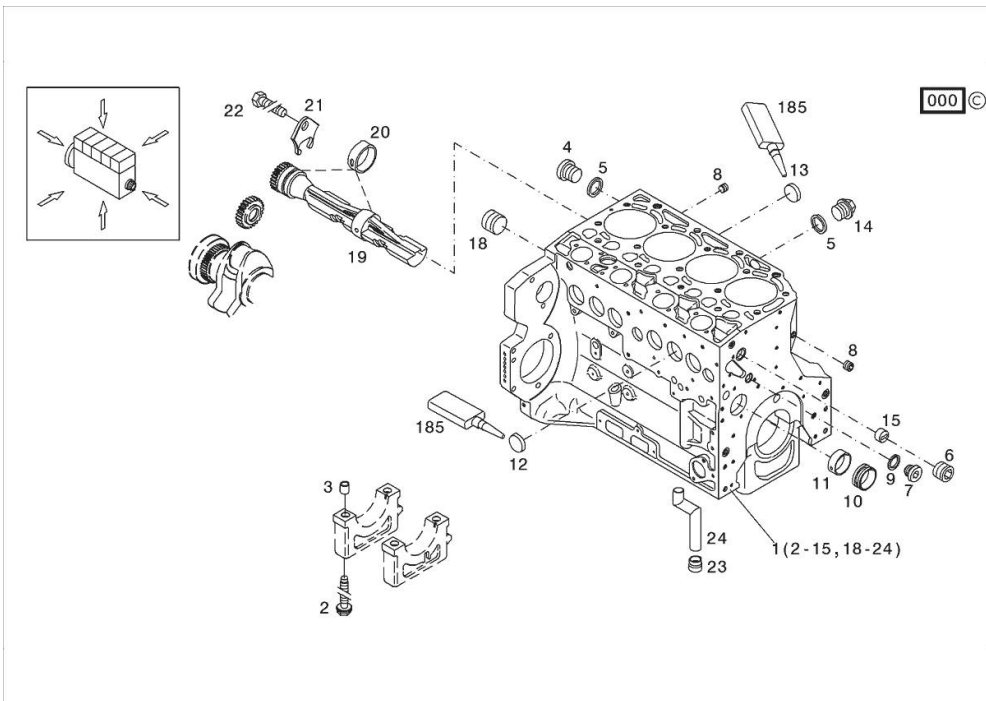
10812866 10817212 10817217 10817218 10835195 10835196 10842049 10861348 10868468 10881937 10961620
 11039729 11039730 11039783 11083039 11147630 11161752 11176556 11176557 11182190 11182194 11185043



185	01319911	1	sealing compound ml. 50
1	04297344	1	crankcase MIT POS... (2-15,18-24)
2	04254240	10	screw 50 Nm , 90° , 90°
3	04160764	10	bushing
4	01110423	1	screw 35 Nm DIN 908 -M14X1,5-ST-ZNPHRF
5	01118693	3	gasket 14x20 DIN 7603 -A14X20-CU
6	01180890	1	screw 95 Nm H 2812 -906-M30X1,5-ST-A4C-PRE80
7	04292706	1	plug 80 Nm
8	01182031	2	screw 35 Nm H 2812 -906-M14X1,5-ST-A3C-LOCTITE506
9	01101342	1	oil seal DIN 7603 -D22X27-CU
10	04251884	4	plug
11	04250086	1	ring
12	01148032	6	cover DIN 443 -A45-ZNPHR
13	01148031	4	plug DIN 443 -A36-ZNPHR
14	01100940	2	screw 35 Nm DIN 7604 -AM14X1,5-ST-A4C
15	04202518	1	sleeve
18	04226536	1	bottom 30 Nm
19	04298243	2	shaft
20	04252834	4	bush
21	04251810	2	plug

KURBELGEHAEUSE

Fig.	P/n	QTY	Name
22	01181672	2	nut H 2091 -4017-M8X16-10.9-GESCHW-MK-1.0
23	04255998	1	ring
24	04291215	1	tube



<https://www.ebooklibonline.com>

Hello dear friend!

Thank you very much for reading.

Enter the link into your browser.

The full manual is available for immediate download.

<https://www.ebooklibonline.com>