

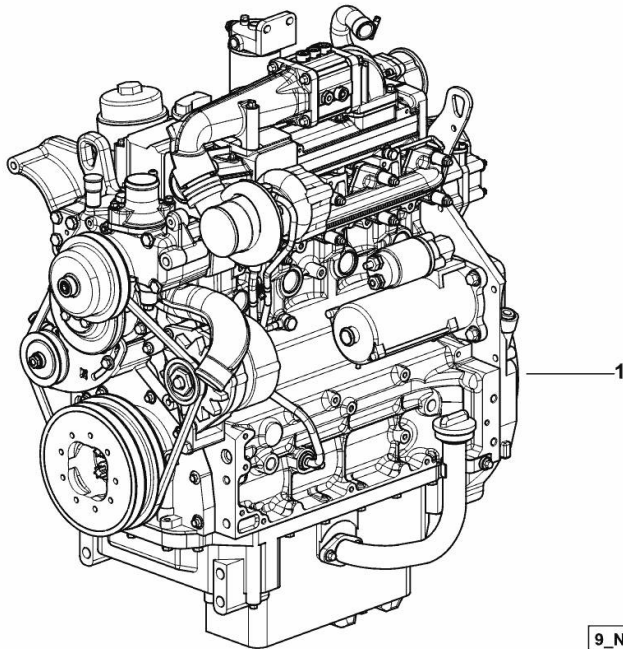
ENGINE

Fig.	P/n	QTY	Name
------	-----	-----	------

Notes:

- EXPORT U.S.A. [XB MAX 85]

1	25007902	1	engine ON ORDERING PLEASE ENGINE NO. REQUIRED
---	----------	---	---



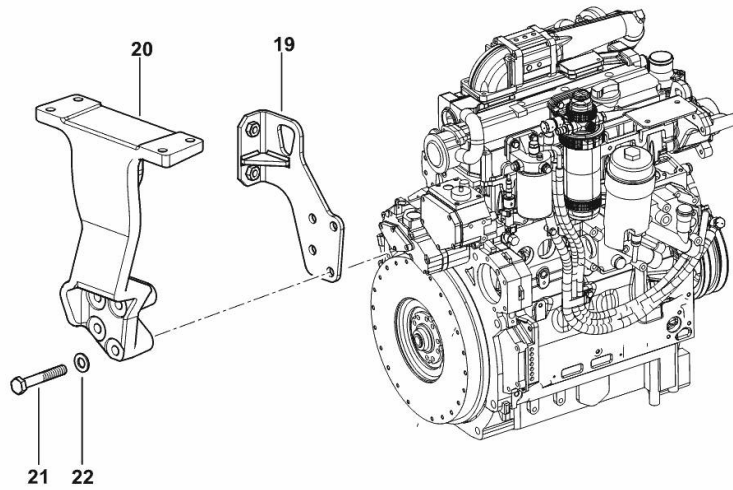
SUPPORTS

Fig.	P/n	QTY	Name
------	-----	-----	------

Notes:

[XB MAX 85]

19	0.014.9247.3/20	1	bracket
20	0.010.6442.0/10	1	bracket
21	2.0112.322.2	4	screw m 10 p.1.5x65
22	2.1475.003.2	4	washer 10



9_N9116_01_0-B-001

FASTENINGS

Fig.	P/n	QTY	Name
------	-----	-----	------

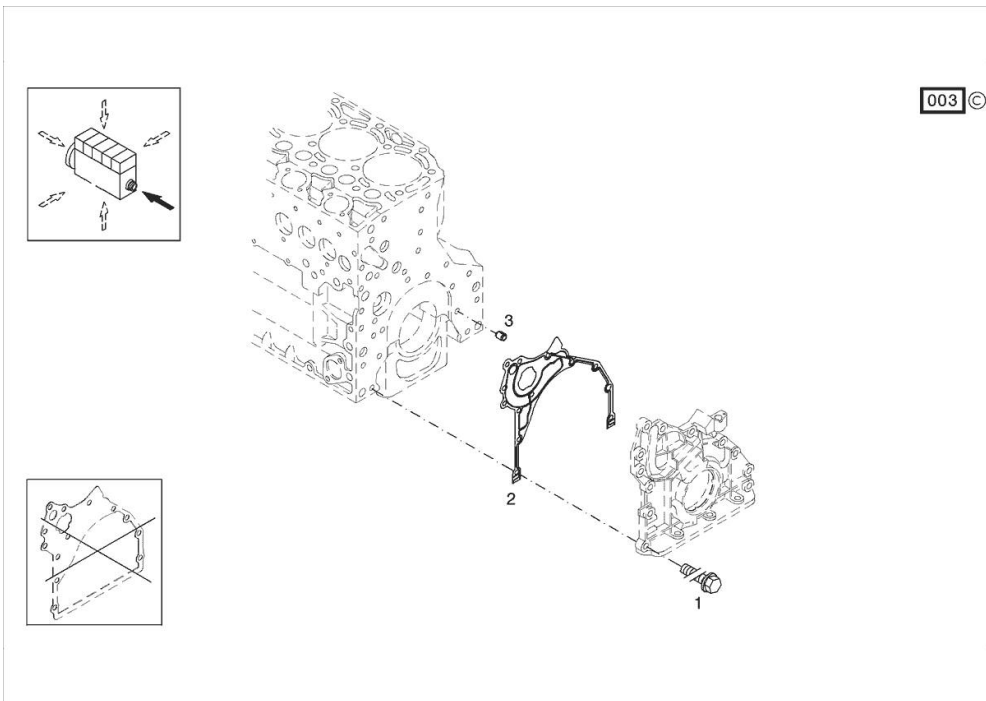
Notes:

[XB MAX 85]

Engine serial number:

10238553 10321896 10332292 10346168 10390112 10402795 10479444 10490586 10490588 10490593 10501599
 10517677 10520384 10520394 10520408 10520409 10523425 10523558 10659430 10664059 10664062 10674687
 66000082 66000622 66000669 66000672 66000674 66000681 66000732

1	01183645	12	screw EN 1662 -F-M8X35-10.9-ZNAL-A
2	04504325	1	gasket
3	01181406	1	bushing H 2341 -B11X8-FE/ZN12C*



<https://www.ebooklibonline.com>

Hello dear friend!

Thank you very much for reading.

Enter the link into your browser.

The full manual is available for immediate download.

<https://www.ebooklibonline.com>

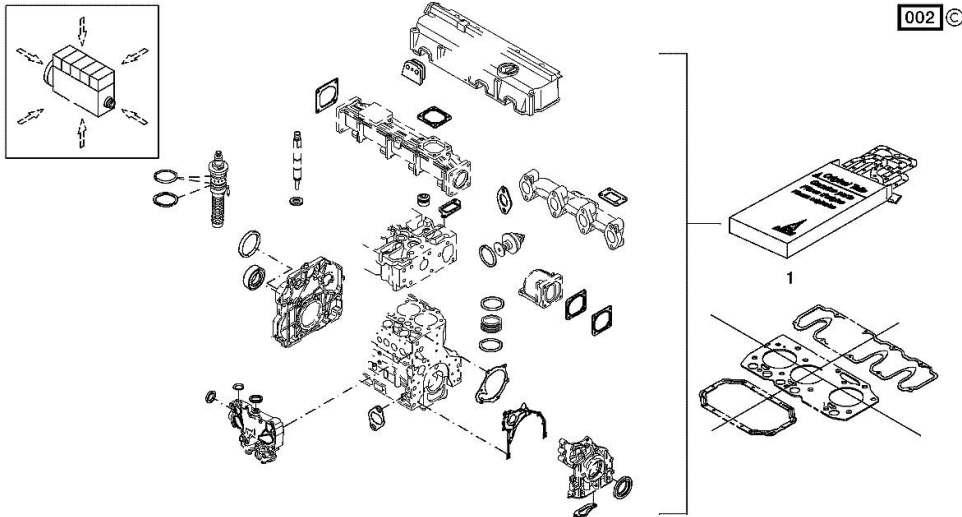
Section: B0 - ENGINE
SERIE GUARNIZIONI

Fig.	P/n	QTY	Name
------	-----	-----	------

Notes:
 [XB MAX 85]

Engine serial number:
 10238553 10321896 10332292 10346168 10390112 10402795 10479444 10490586 10490588 10490593 10501599
 10517677 10520384 10520394 10520408 10520409 10523425 10523558 10659430 10664059 10664062 10674687
 66000082 66000622 66000669 66000672 66000674 66000681 66000732

1	02937585	1	gasket set THE KIT DOES NOT CONTAIN ALL THE GASKETS: SEE SM 0199-99-9449
---	----------	---	--



BUSH

Fig.	P/n	QTY	Name
------	-----	-----	------

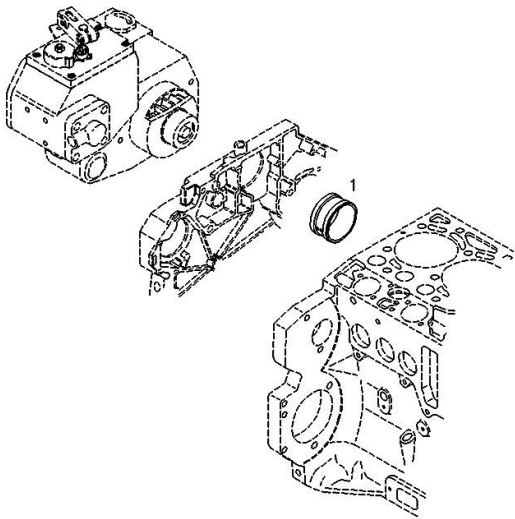
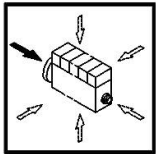
Notes:

[XB MAX 85]

Engine serial number:

10238553 10321896 10332292 10346168 10390112 10402795 10479444 10490586 10490588 10490593 10501599
 10517677 10520384 10520394 10520408 10520409 10523425 10523558 10659430 10664059 10664062 10674687
 66000082 66000622 66000669 66000672 66000674 66000681 66000732

1	02111679	1	bush
---	----------	---	------



002

0507 2810

BLEEDING TUBE

Fig.	P/n	QTY	Name
------	-----	-----	------

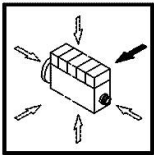
Notes:

[XB MAX 85]

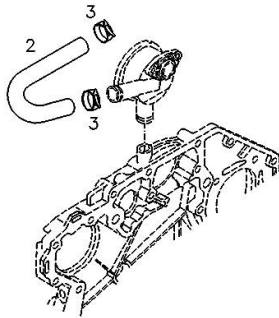
Engine serial number:

10238553 10321896 10332292 10346168 10390112 10402795 10479444 10490586 10490588 10490593 10501599
 10517677 10520384 10520394 10520408 10520409 10523425 10523558 10659430 10664059 10664062 10674687
 66000082 66000622 66000669 66000672 66000674 66000681 66000732

2	04258132	1	tube
3	01178750	2	clamp DIN 3021 -A-29X15



000 ©



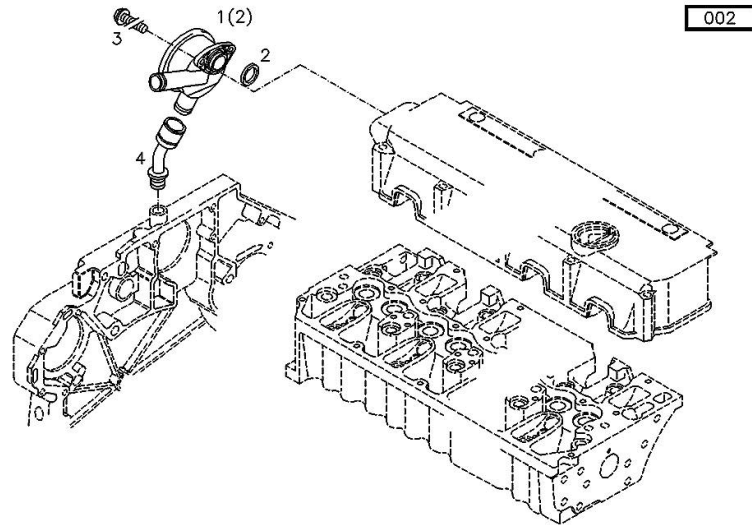
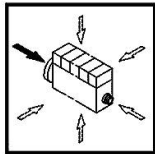
Section: B0 - ENGINE
CRANKCASE BREATHER

Fig.	P/n	QTY	Name
------	-----	-----	------

Notes:
 [XB MAX 85]

Engine serial number:

10238553 10321896 10332292 10346168 10390112 10402795 10479444 10490586 10490588 10490593 10501599
 10517677 10520384 10520394 10520408 10520409 10523425 10523558 10659430 10664059 10664062 10674687
 66000082 66000622 66000669 66000672 66000674 66000681 66000732



1	04203321	1	valve WITH POS.... (2)
2	04206233	1	gasket
3	01148431	2	screw - FROM THE MONTH OF ASSEMBLY SEE POS. (B) - UP TO THE MONTH OF ASSEMBLY (A) FROM THE MONTH OF ASSEMBLY A = 09.1995 B = POS. 950 ISO 4762 -M6X20-8.8-ZNAL-A
4	04207290	1	piping
5	01124654	2	washer 6,4 d433 ISO 7092 -6-140HV-A4C*
950	01181965	2	screw - UP TO MONTH OF ASSEMBLY (A) - FROM MONTH OF ASSEMBLY SEE POS. (B) A = 08.1995 B = POS. 3 EN 1662 -F-M6X20-10.9-ZNAL-A

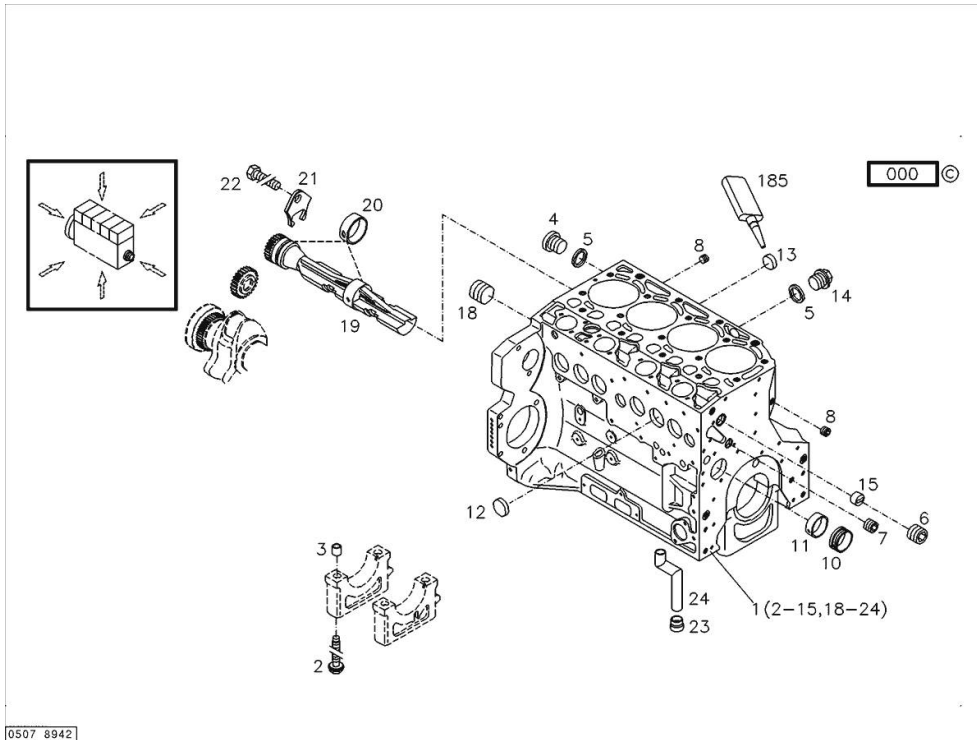
Section: B0 - ENGINE
KURBELGEHAEUSE

Fig.	P/n	QTY	Name
------	-----	-----	------

Notes:
 [XB MAX 85]

Engine serial number:

10238553 10321896 10332292 10346168 10390112 10402795 10479444 10490586 10490588 10490593 10501599
 10517677 10520384 10520394 10520408 10520409 10523425 10523558 10659430 10664059 10664062 10674687
 66000082 66000622 66000669 66000672 66000674 66000681 66000732

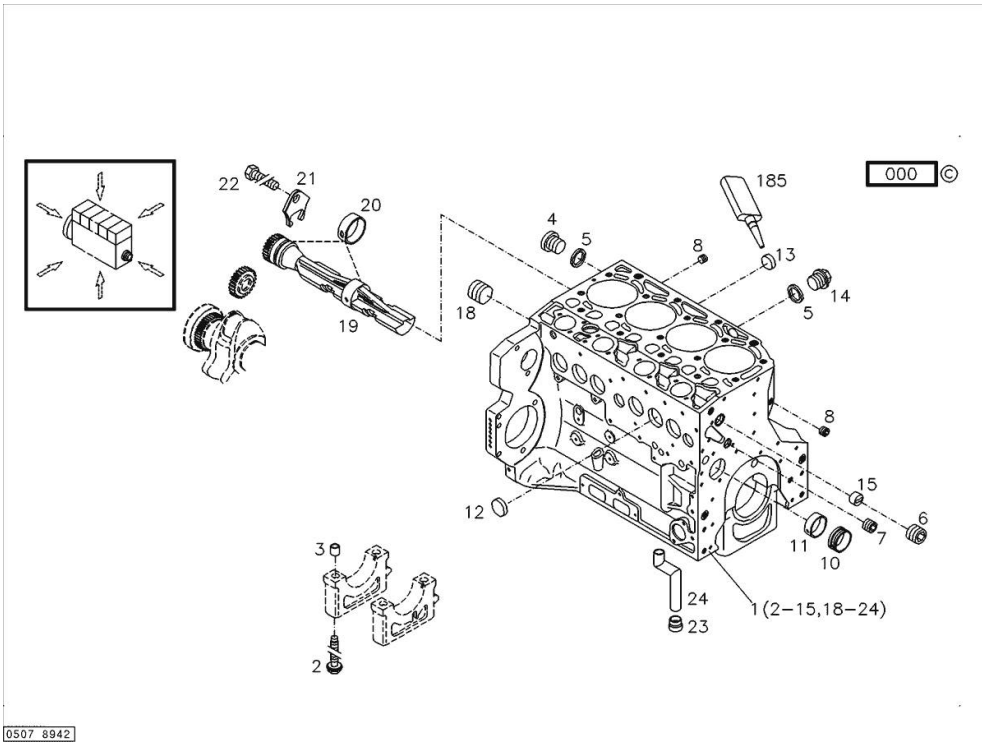


185	01319911	1	sealing compound ml. 50
1	04289939	1	crankcase MIT POS.... (2-15,18-24)
2	04254240	10	screw 50 Nm , 90° , 90°
3	04160764	10	bushing
4	01110423	1	screw 35 Nm DIN 908 -M14X1,5-ST-ZNPHRF
5	01118693	3	gasket 14x20 DIN 7603 -A14X20-CU
6	01180890	1	screw 95 Nm H 2812 -906-M30X1,5-ST-A4C-PRE80
7	01180906	1	screw H 2812 -906-M22X1,5-ST-A4C-PRE80
8	01182031	2	screw 35 Nm H 2812 -906-M14X1,5-ST-A3C-LOCTITE506
10	04251884	4	plug
11	04250086	1	ring
12	01148032	6	cover DIN 443 -A45-ZNPHR
13	01179634	4	plug H 2860 -A36-ST-FE/ZNPHR
14	01100940	2	screw 35 Nm DIN 7604 -AM14X1,5-ST-A4C
15	04202518	1	sleeve
18	04226536	1	bottom 30 Nm
19	04259301	2	shaft
20	04252834	4	bush
21	04251810	2	plug
22	01181672	2	nut

0507 8942

Section: B0 - ENGINE
KURBELGEHAEUSE

Fig.	P/n	QTY	Name
23	04255998	1	H 2091 -4017-M8X16-10.9-GESCHW-MK-1.0 ring
24	04254026	1	piping



0507 8942



Suggest:

For more complete manuals. Please go to the home page.

<https://www.ebooklibonline.com>

If the above button click is invalid. Please download this document first, and then click the above link to download the complete manual.

Thank you so much for reading

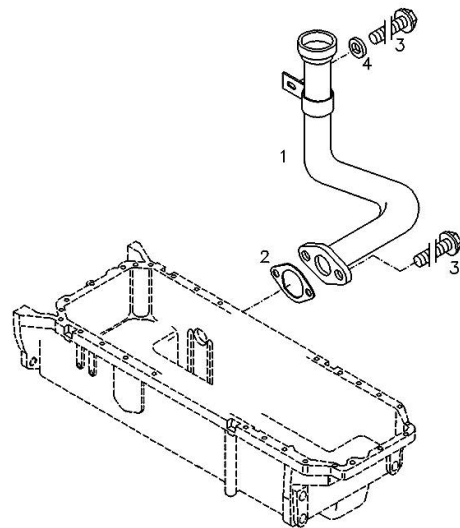
Section: B0 - ENGINE
OIL FILLER NECK

Fig.	P/n	QTY	Name
------	-----	-----	------

Notes:
 [XB MAX 85]

Engine serial number:
 10238553 10321896 10332292 10346168 10390112 10402795 10479444 10490586 10490588 10490593 10501599
 10517677 10520384 10520394 10520408 10520409 10523425 10523558 10659430 10664059 10664062 10674687
 66000082 66000622 66000669 66000672 66000674 66000681 66000732

1	04251494	1	tube
2	01178421	1	gasket DIN 71511 -35X58X1,5-DEUTZFW31
3	01181433	3	screw EN 1662 -F-M8X20-LG2,5-10.9-ZNAL-A
4	01214459	1	washer 8,5x20x5



000

ACCESSORIES

Fig.	P/n	QTY	Name
-------------	------------	------------	-------------

Notes:

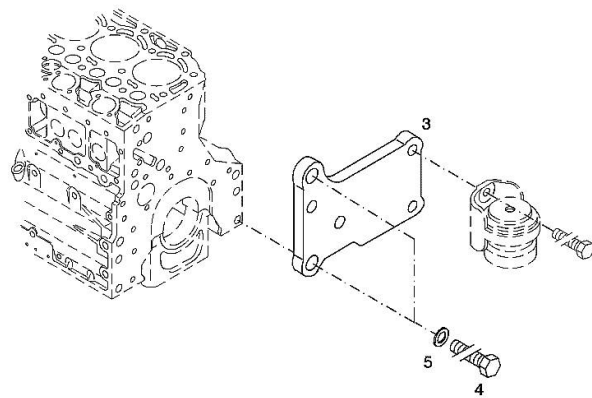
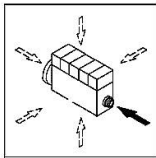
[XB MAX 85]

Engine serial number:

10238553 10321896 10332292 10346168 10390112 10402795 10479444 10490586 10490588 10490593 10501599
 10517677 10520384 10520394 10520408 10520409 10523425 10523558 10659430 10664059 10664062 10674687
 66000082 66000622 66000669 66000672 66000674 66000681 66000732

3	04288659	1	support
4	01148261	2	screw ISO 4017 -M16X40-10.9-ZNAL-A
5	01181400	2	washer H 2308 -18X25X1,5-A4C

006 ©



<https://www.ebooklibonline.com>

Hello dear friend!

Thank you very much for reading.

Enter the link into your browser.

The full manual is available for immediate download.

<https://www.ebooklibonline.com>