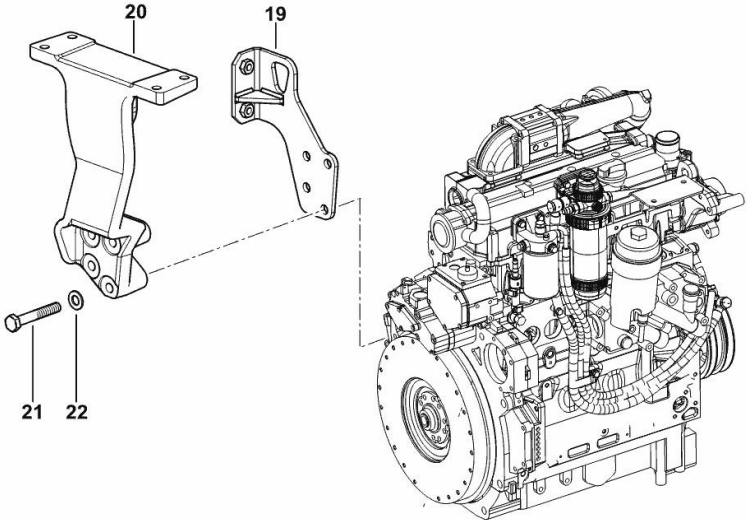


**SUPPORTS**

<b>Fig.</b>	<b>P/n</b>	<b>QTY</b>	<b>Name</b>
-------------	------------	------------	-------------

**Notes:**  
[XB MAX 85 -> 20001]

19	0.014.9247.3/20	1	bracket
20	0.010.6442.0/10	1	bracket
21	2.0112.322.2	4	screw m 10 p.1.5x65
22	2.1475.003.2	4	washer 10



9\_O3016\_01\_0-B-001

**SERIE GUARNIZIONI**

Fig.	P/n	QTY	Name
------	-----	-----	------

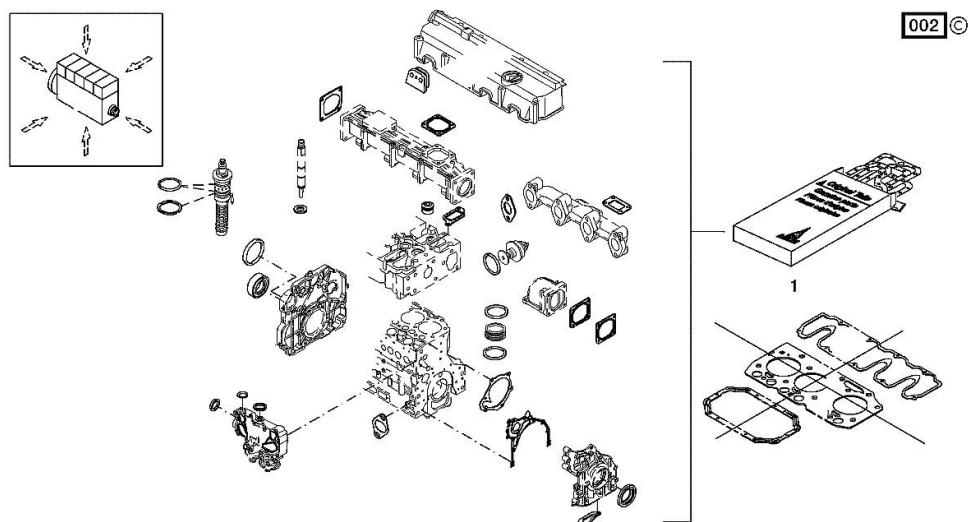
**Notes:**

[XB MAX 85 -> 20001]

**Engine serial number:**

10764580 10765207 10768573 10827520 10827524 10837335 10837338 10868150 10868842 10892130 10917477  
 10932285 10973458 10978270 10979821 10980201 10994780 10998735 11009633 11015102 11015974 11032194  
 11140024 11146342 11146350 11148727 11149228 11149230 11152446 11174930 11177802 11177803 11177804  
 11177808 11178057 11182273

1	02937585	1	gasket set THE KIT DOES NOT CONTAIN ALL THE GASKETS: SEE SM 0199-99-9449
---	----------	---	--



**FASTENINGS**

Fig.	P/n	QTY	Name
------	-----	-----	------

**Notes:**

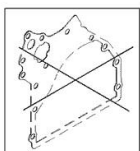
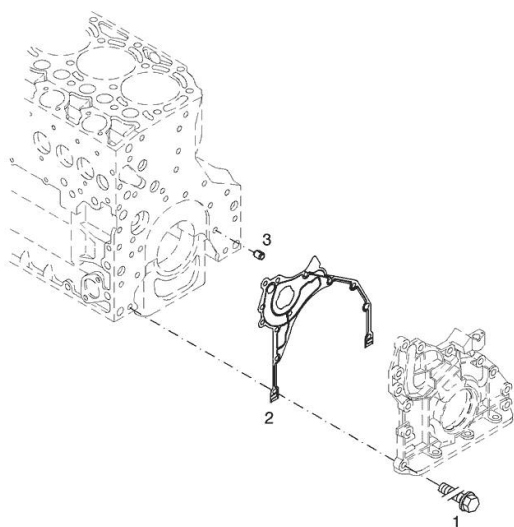
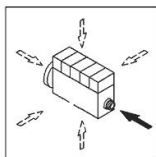
[XB MAX 85 -> 20001]

**Engine serial number:**

10764580 10765207 10768573 10827520 10827524 10837335 10837338 10868150 10868842 10892130 10917477  
 10932285 10973458 10978270 10979821 10980201 10994780 10998735 11009633 11015102 11015974 11032194  
 11140024 11146342 11146350 11148727 11149228 11149230 11152446 11174930 11177802 11177803 11177804  
 11177808 11178057 11182273

1	01183645	12	screw EN 1662 -F-M8X35-10.9-ZNAL-A
2	04504325	1	gasket
3	01181406	1	bushing H 2341 -B11X8-FE/ZN12C*

003 ©



**<https://www.ebooklibonline.com>**

Hello dear friend!

Thank you very much for reading.

Enter the link into your browser.

The full manual is available for immediate download.

**<https://www.ebooklibonline.com>**

Section: B0 - ENGINE

**BLEEDING TUBE**

Fig.	P/n	QTY	Name
------	-----	-----	------

**Notes:**

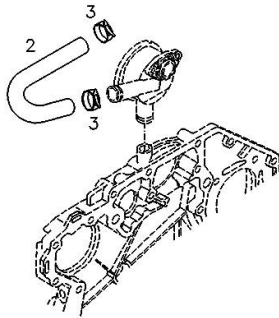
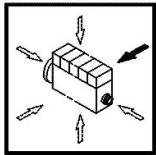
[XB MAX 85 -> 20001]

**Engine serial number:**

10764580 10765207 10768573 10827520 10827524 10837335 10837338 10868150 10868842 10892130 10917477  
 10932285 10973458 10978270 10979821 10980201 10994780 10998735 11009633 11015102 11015974 11032194  
 11140024 11146342 11146350 11148727 11149228 11149230 11152446 11174930 11177802 11177803 11177804  
 11177808 11178057 11182273

2	04258132	1	tube
3	01178750	2	clamp DIN 3021 -A-29X15

000 ©



**CRANKCASE BREATHER**

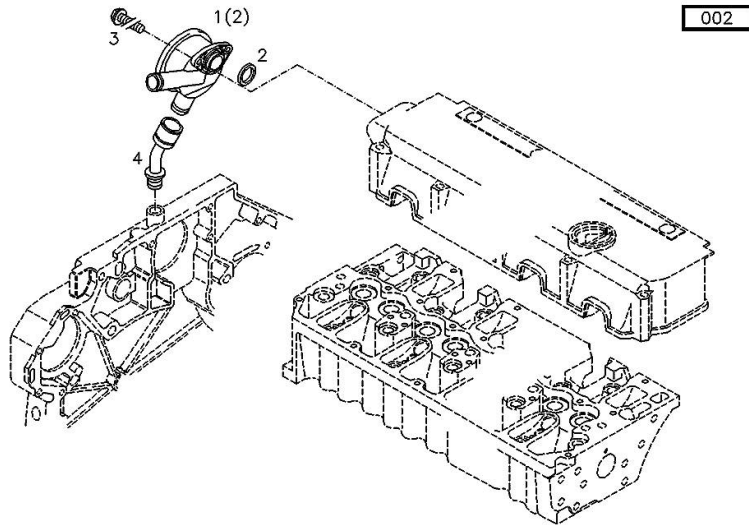
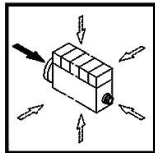
Fig.	P/n	QTY	Name
------	-----	-----	------

**Notes:**

[XB MAX 85 -> 20001]

**Engine serial number:**

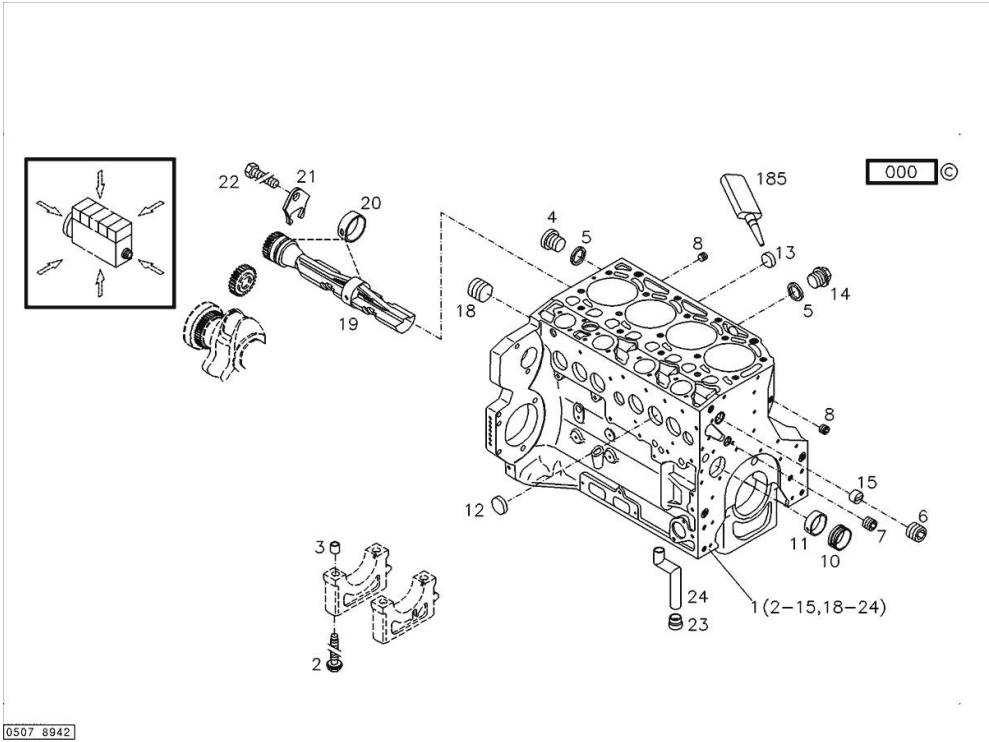
10764580 10765207 10768573 10827520 10827524 10837335 10837338 10868150 10868842 10892130 10917477  
 10932285 10973458 10978270 10979821 10980201 10994780 10998735 11009633 11015102 11015974 11032194  
 11140024 11146342 11146350 11148727 11149228 11149230 11152446 11174930 11177802 11177803 11177804  
 11177808 11178057 11182273



1	04203321	1	valve WITH POS.... (2)
2	04206233	1	gasket
3	01148431	2	screw - FROM THE MONTH OF ASSEMBLY SEE POS. ( B ) - UP TO THE MONTH OF ASSEMBLY ( A ) FROM THE MONTH OF ASSEMBLY A = 09.1995 B = POS. 950 ISO 4762 -M6X20-8.8-ZNAL-A
4	04207290	1	pipng
5	01124654	2	washer 6,4 d433 ISO 7092 -6-140HV-A4C*
950	01181965	2	screw - UP TO MONTH OF ASSEMBLY ( A ) - FROM MONTH OF ASSEMBLY SEE POS. ( B ) A = 08.1995 B = POS. 3 EN 1662 -F-M6X20-10.9-ZNAL-A

Section: B0 - ENGINE  
KURBELGEHAEUSE

Fig.	P/n	QTY	Name
<b>Notes:</b> [XB MAX 85 -> 20001]			
185	01319911	1	sealing compound ml. 50
1	04289939	1	crankcase MIT POS.... (2-15,18-24)
2	04254240	10	screw 50 Nm , 90° , 90°
3	04160764	10	bushing
4	01110423	1	screw 35 Nm DIN 908 -M14X1,5-ST-ZNPHRF
5	01118693	3	gasket 14x20 DIN 7603 -A14X20-CU
6	01180890	1	screw 95 Nm H 2812 -906-M30X1,5-ST-A4C-PRE80
7	01180906	1	screw H 2812 -906-M22X1,5-ST-A4C-PRE80
8	01182031	2	screw 35 Nm H 2812 -906-M14X1,5-ST-A3C-LOCTITE506
10	04251884	4	plug
11	04250086	1	ring
12	01148032	6	cover DIN 443 -A45-ZNPHR
13	01179634	4	plug H 2860 -A36-ST-FE/ZNPHR
14	01100940	2	screw 35 Nm DIN 7604 -AM14X1,5-ST-A4C
15	04202518	1	sleeve
18	04226536	1	bottom 30 Nm
19	04259301	2	shaft
20	04252834	4	bush
21	04251810	2	plug
22	01181672	2	nut H 2091 -4017-M8X16-10.9-GESCHW-MK-1.0
23	04255998	1	ring
24	04254026	1	piping



0507 8942

**OIL FILLER NECK**

Fig.	P/n	QTY	Name
------	-----	-----	------

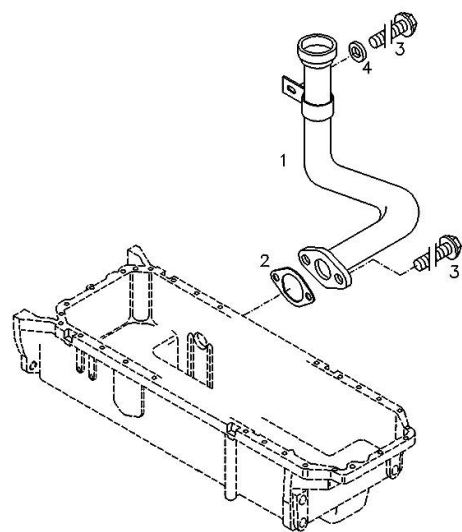
**Notes:**

[XB MAX 85 -> 20001]

**Engine serial number:**

10764580 10765207 10768573 10827520 10827524 10837335 10837338 10868150 10868842 10892130 10917477  
 10932285 10973458 10978270 10979821 10980201 10994780 10998735 11009633 11015102 11015974 11032194  
 11140024 11146342 11146350 11148727 11149228 11149230 11152446 11174930 11177802 11177803 11177804  
 11177808 11178057 11182273

1	04251494	1	tube
2	01178421	1	gasket DIN 71511 -35X58X1,5-DEUTZFW31
3	01181433	3	screw EN 1662 -F-M8X20-LG2,5-10.9-ZNAL-A
4	01214459	1	washer 8,5x20x5



000

**ACCESSORIES**

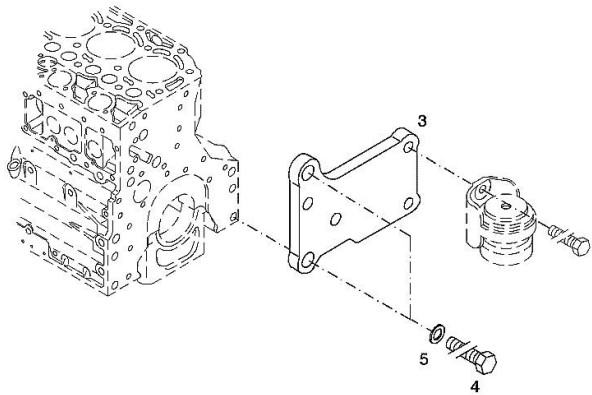
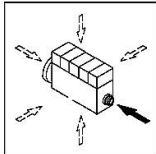
<b>Fig.</b>	<b>P/n</b>	<b>QTY</b>	<b>Name</b>
-------------	------------	------------	-------------

**Notes:**  
 [XB MAX 85 -> 20001]

**Engine serial number:**  
 10764580 10765207 10768573 10827520 10827524 10837335 10837338 10868150 10868842 10892130 10917477  
 10932285 10973458 10978270 10979821 10980201 10994780 10998735 11009633 11015102 11015974 11032194  
 11140024 11146342 11146350 11148727 11149228 11149230 11152446 11174930 11177802 11177803 11177804  
 11177808 11178057 11182273

3	04288659	1	support
4	01148261	2	screw ISO 4017 -M16X40-10.9-ZNAL-A
5	01181400	2	washer H 2308 -18X25X1,5-A4C

006 ©

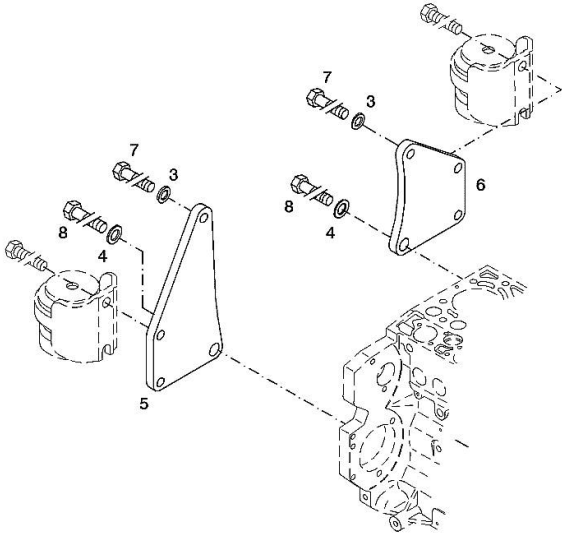
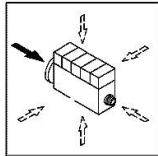


ACCESSORIES

Fig.	P/n	QTY	Name
------	-----	-----	------

Notes:  
[XB MAX 85 -> 20001]

**Engine serial number:**  
 10764580 10765207 10768573 10827520 10827524 10837335 10837338 10868150 10868842 10892130 10917477  
 10932285 10973458 10978270 10979821 10980201 10994780 10998735 11009633 11015102 11015974 11032194  
 11140024 11146342 11146350 11148727 11149228 11149230 11152446 11174930 11177802 11177803 11177804  
 11177808 11178057 11182273



003 ©

3	01182016	2	disc H 2308 -13X24X3-ZNAL-A
4	01181400	2	washer H 2308 -18X25X1,5-A4C
5	04206926	1	plate dx/rh/re
6	04206927	1	plate sx/lh/li
7	01148137	2	screw - UP TO MONTH OF ASSEMBLY ( A ) - FROM MONTH OF ASSEMBLY SEE POS. ( B ) A = 06.2009 B = POS. 950 DIN 931 -M12X75-10.9-ZNAL-A
8	01148037	2	screw UP TO MONTH OF ASSEMBLY ( A ) - FROM MONTH OF ASSEMBLY SEE POS. ( B ) A = 06.2009 B = POS. 951 ISO 4014 -M16X75-10.9-OELGESCHW
950	01149017	2	screw - FROM MONTH OF ASSEMBLY SEE POS. ( B ) - UP TO MONTH OF ASSEMBLY ( A ) FROM MONTH OF ASSEMBLY A = 07.2009 B = 7 DIN 34800 -BM12X75-10.9-ZNAL-A
951	01180235	2	screw - FROM MONTH OF ASSEMBLY SEE POS. ( B ) - UP TO MONTH OF ASSEMBLY ( A ) FROM MONTH OF ASSEMBLY A = 07.2009 B = Pos.8 H 2032 -HBM16X75-10.9-GESCHW

**ACCESSORIES**

<b>Fig.</b>	<b>P/n</b>	<b>QTY</b>	<b>Name</b>
-------------	------------	------------	-------------

**Notes:**

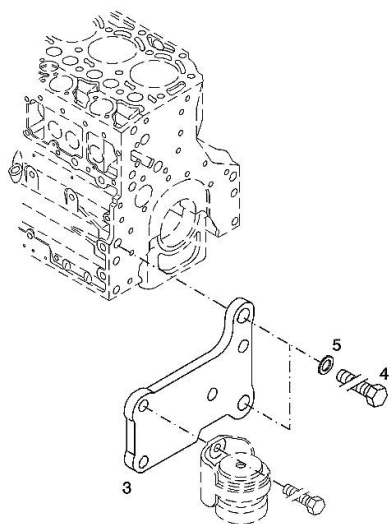
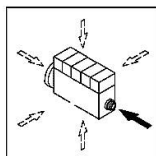
[XB MAX 85 -> 20001]

**Engine serial number:**

10764580 10765207 10768573 10827520 10827524 10837335 10837338 10868150 10868842 10892130 10917477  
 10932285 10973458 10978270 10979821 10980201 10994780 10998735 11009633 11015102 11015974 11032194  
 11140024 11146342 11146350 11148727 11149228 11149230 11152446 11174930 11177802 11177803 11177804  
 11177808 11178057 11182273

003 ©

3	04288660	1	support
4	01148261	2	screw ISO 4017 -M16X40-10.9-ZNAL-A
5	01181400	2	washer H 2308 -18X25X1,5-A4C



**FILLER CAP**

Fig.	P/n	QTY	Name
------	-----	-----	------

**Notes:**

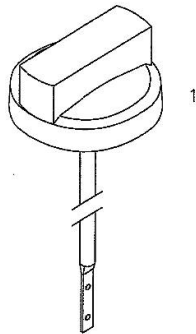
[XB MAX 85 -> 20001]

**Engine serial number:**

10764580 10765207 10768573 10827520 10827524 10837335 10837338 10868150 10868842 10892130 10917477  
 10932285 10973458 10978270 10979821 10980201 10994780 10998735 11009633 11015102 11015974 11032194  
 11140024 11146342 11146350 11148727 11149228 11149230 11152446 11174930 11177802 11177803 11177804  
 11177808 11178057 11182273

1	01180286	1	plug H 2875 -B2-OL40-166X4-130X12
---	----------	---	--------------------------------------

000



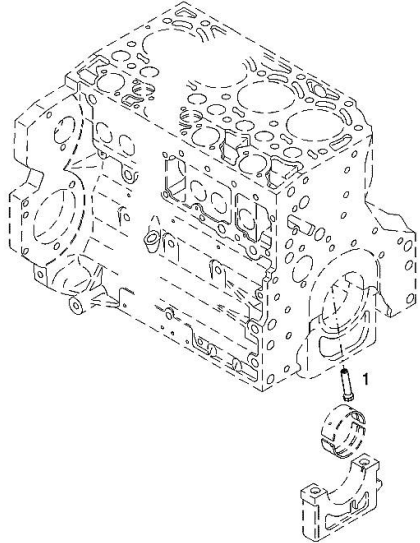
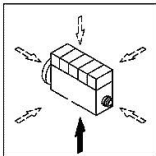
**PISTON COOL.NOZZLE**

Fig.	P/n	QTY	Name
------	-----	-----	------

**Notes:**  
[XB MAX 85 -> 20001]

**Engine serial number:**  
10764580 10765207 10768573 10827520 10827524 10837335 10837338 10868150 10868842 10892130 10917477  
10932285 10973458 10978270 10979821 10980201 10994780 10998735 11009633 11015102 11015974 11032194  
11140024 11146342 11146350 11148727 11149228 11149230 11152446 11174930 11177802 11177803 11177804  
11177808 11178057 11182273

1	04207521	1	sprayers
---	----------	---	----------



**FLANGE**

Fig.	P/n	QTY	Name
------	-----	-----	------

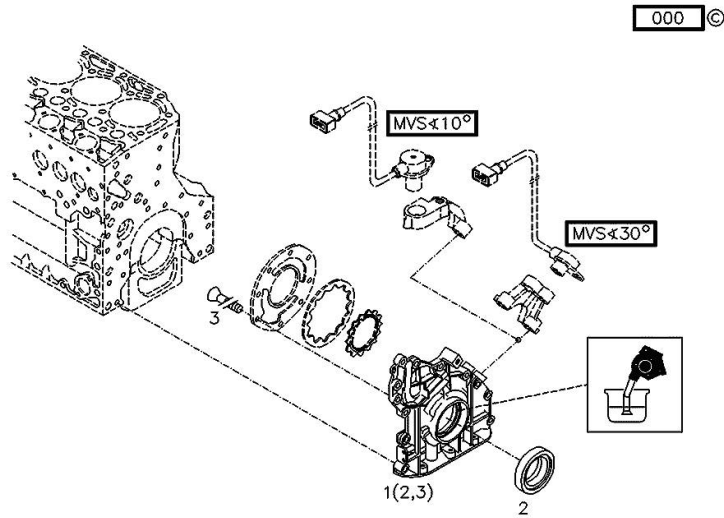
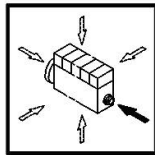
**Notes:**

[XB MAX 85 -> 20001]

**Engine serial number:**

10764580 10765207 10768573 10827520 10827524 10837335 10837338 10868150 10868842 10892130 10917477  
 10932285 10973458 10978270 10979821 10980201 10994780 10998735 11009633 11015102 11015974

1	04283992	1	oil pump WITH POS.... (2,3)
2	04253372	1	oil seal
3	01133718	8	screw DIN 7991 -M6X16-8.8-A4C





**Suggest:**

**For more complete manuals. Please go to the home page.**

**<https://www.ebooklibonline.com>**

**If the above button click is invalid. Please download this document first, and then click the above link to download the complete manual.**

**Thank you so much for reading**

Section: B0 - ENGINE  
**KURBELGEHAEUSE**

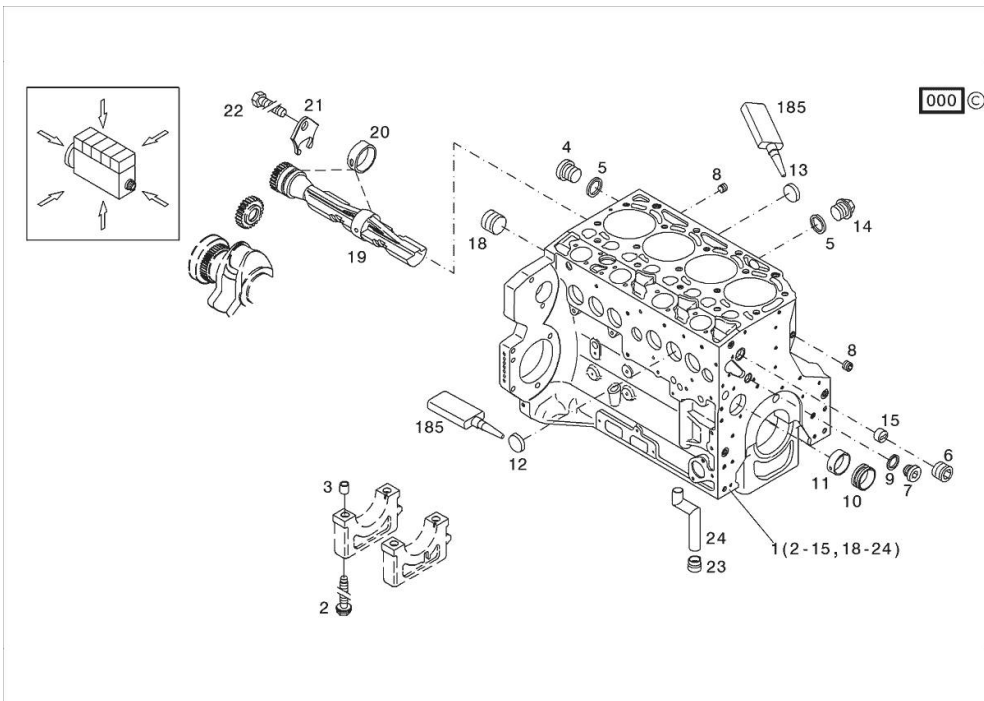
Fig.	P/n	QTY	Name
------	-----	-----	------

**Notes:**

[XB MAX 85 -> 20001]

**Engine serial number:**

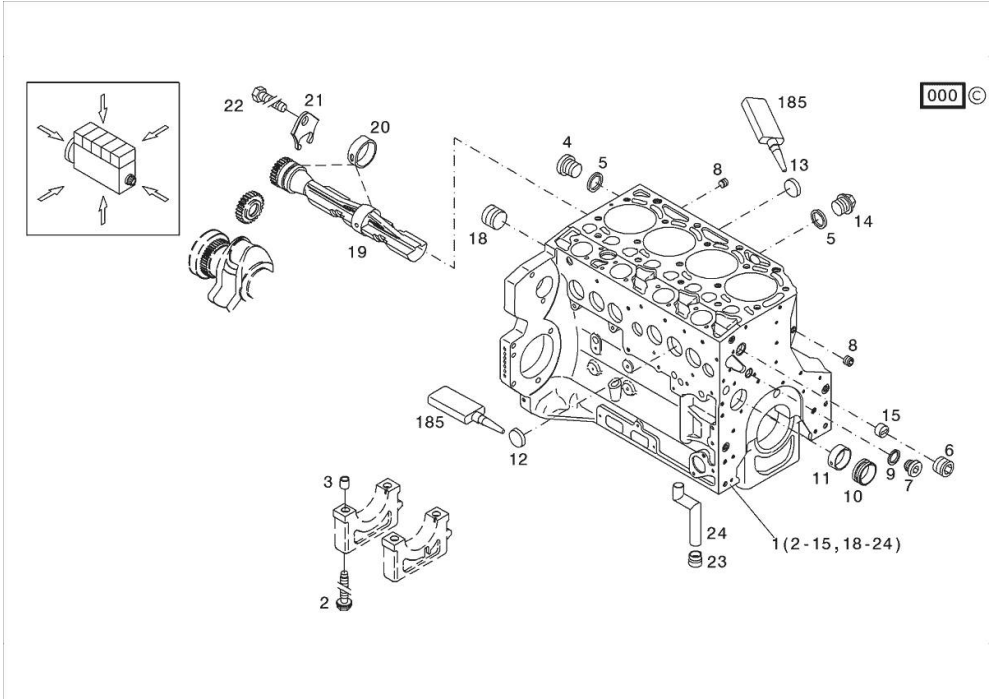
10764580 10765207 10768573 10827520 10827524 10837335 10837338 10868150 10868842 10892130 10917477  
 10932285 10973458 10978270 10979821 10980201 10994780 10998735 11009633 11015102 11015974 11032194  
 11140024 11146342 11146350 11148727 11149228 11149230 11152446 11174930 11177802 11177803 11177804  
 11177808 11178057 11182273



185	01319911	1	sealing compound ml. 50
1	04297344	1	crankcase MIT POS.... (2-15,18-24)
2	04254240	10	screw 50 Nm , 90° , 90°
3	04160764	10	bushing
4	01110423	1	screw 35 Nm DIN 908 -M14X1,5-ST-ZNPHRF
5	01118693	3	gasket 14x20 DIN 7603 -A14X20-CU
6	01180890	1	screw 95 Nm H 2812 -906-M30X1,5-ST-A4C-PRE80
7	04292706	1	plug 80 Nm
8	01182031	2	screw 35 Nm H 2812 -906-M14X1,5-ST-A3C-LOCTITE506
9	01101342	1	oil seal DIN 7603 -D22X27-CU
10	04251884	4	plug
11	04250086	1	ring
12	01148032	6	cover DIN 443 -A45-ZNPHR
13	01148031	4	plug DIN 443 -A36-ZNPHR
14	01100940	2	screw 35 Nm DIN 7604 -AM14X1,5-ST-A4C
15	04202518	1	sleeve
18	04226536	1	bottom 30 Nm
19	04298243	2	shaft

Section: B0 - ENGINE  
**KURBELGEHAEUSE**

Fig.	P/n	QTY	Name
20	04252834	4	bush
21	04251810	2	plug
22	01181672	2	nut
23	04255998	1	ring
24	04291215	1	tube



**<https://www.ebooklibonline.com>**

Hello dear friend!

Thank you very much for reading.

Enter the link into your browser.

The full manual is available for immediate download.

**<https://www.ebooklibonline.com>**