

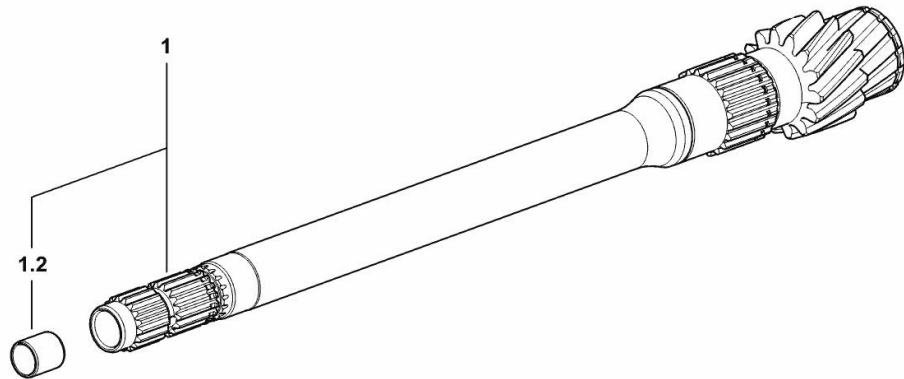
Section: D0 - TRANSMISSION
PTO CONNECTION SHAFT

Fig.	P/n	QTY	Name
------	-----	-----	------

Notes:

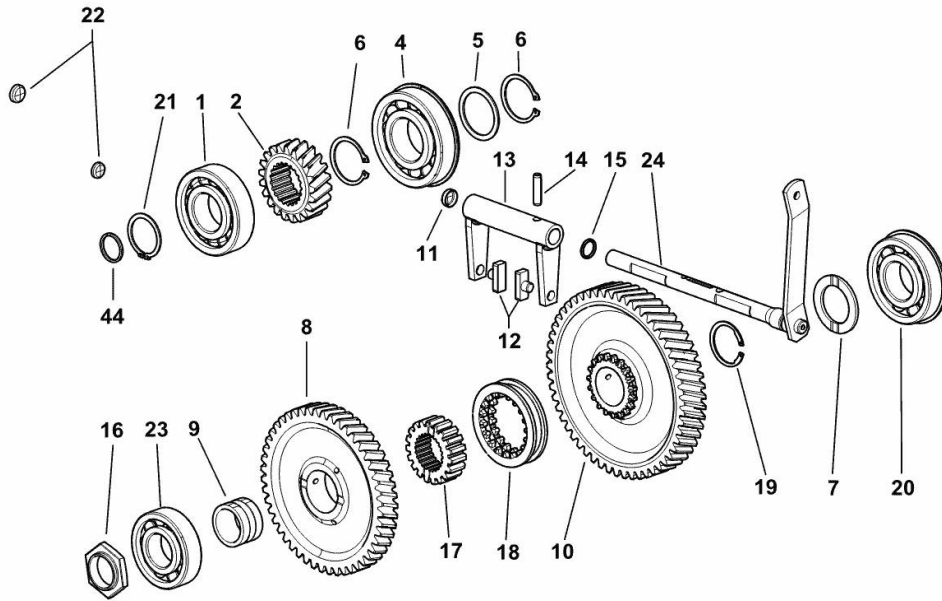
- FOR 540/N EXPORT U.S.A. [XB 100 TB ->5001] - 540/1000 [XB 100 TB ->5001]

1	0.010.8217.3	1	power take-off shaft
1.2	2.1559.023.0/10	1	special bushing 15.8x19x20



9_R2236_04_0-A-001

P.T.O. SHAFT 540 - 1000



9_R2236_01_0-A-001

Fig.	P/n	QTY	Name
------	-----	-----	------

Notes:

[XB 100 TB ->5001]

1	2.2060.012.0	1	ball bearing 40 x 90 x 23
2	0.010.8218.0	1	gear Z = 21
4	2.2062.013.0	1	ball bearing 45x100x25
5	2.1599.541.0	1	shoulder ring 45x55x2
6	2.1410.018.7	2	circlip 45
7	0.255.3450.0	1	shoulder ring 40 x 60 x 3.5
8	0.010.8219.0	1	gear Z = 48
9	0.255.3662.0	1	special bushing 35x44x27
10	0.010.8220.0	1	gear Z = 54
11	2.3171.006.4	1	plug Ø 16
12	0.255.6463.0	2	shoe
13	0.255.3658.2	1	fork
14	2.1630.713.0	1	roll pin 8x32
15	2.1530.038.0	1	oil seal 15.54x2.62
16	0.255.3661.0	1	ring nut m 35x1.5
17	0.255.3455.0	1	hub Z = 19
18	0.255.3438.0/20	1	sleeve Z = 19
19	2.1499.034.1	1	circlip 40 x 1.75
20	2.2062.012.0	1	ball bearing 40 x 90 x 23
21	2.1410.016.1	1	circlip 40
22	2.3171.007.4	2	plug Ø 18
23	2.2060.011.0	1	ball bearing 35 x 80 x 21
24	0.016.2240.0/20	1	lever
44	2.1530.062.0	1	oil seal 23.81 x 2.62

4 SPEED P.T.O.

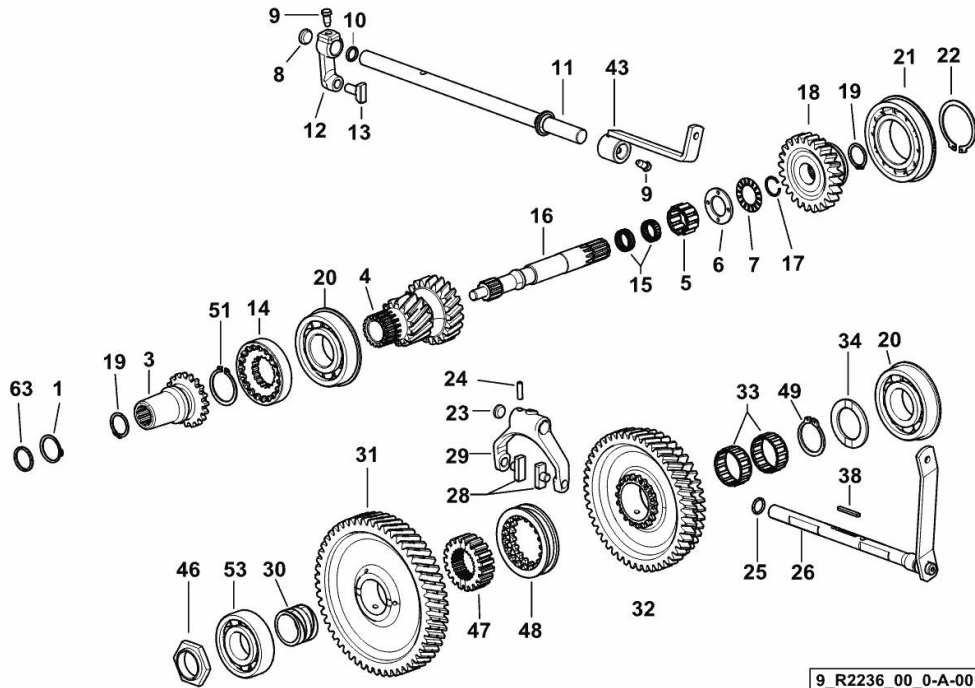


Fig.	P/n	QTY	Name
------	-----	-----	------

Notes:

[XB 100 TB ->5001]

1	2.1410.012.1	1	circlip 30
3	0.009.6866.0	1	sleeve
4	0.009.6902.0	1	gear z = 14 - z = 21
5	2.2999.198.0	1	roller cage 25x37x20
6	2.1579.958.0	1	spacer 25 x 44 x 3
7	2.2999.229.0	1	roller cage 25x42x2
8	2.3171.007.4	1	plug Ø 18
9	2.0399.019.1	2	screw m 8 p.1 x 16
10	2.1530.033.0	1	oil seal 13.10x2.62
11	0.014.2729.3/20	1	rod
12	0.007.3492.0	1	small lever
13	0.001.5945.0/10	1	shoe
14	0.009.6867.0	1	crown wheel
15	2.2999.208.0	2	roller cage 20x26x8.8
16	0.007.3472.0/30	1	small shaft
17	2.1420.009.1	1	circlip a 22
18	0.009.6905.0	1	gear Z = 24
19	2.1410.010.1	2	circlip 25
20	2.2062.012.0	2	ball bearing 40 x 90 x 23
21	2.2043.015.0	1	bearing 55 x 100 x 21
22	2.1410.022.1	1	circlip 55
23	2.3171.006.4	1	plug Ø 16
24	2.0512.109.7	1	screw
25	2.1530.038.0	1	oil seal 15.54x2.62
26	0.016.2240.0/20	1	lever
28	0.255.6463.0	2	shoe
29	0.007.3487.0	1	fork
30	0.007.3471.0/10	1	special bushing
31	0.010.5366.0/10	1	gear Z = 54
32	0.009.6904.0/20	1	gear z = 48 - z = 43
33	2.2770.073.0	2	roller cage 40x47x18
34	0.255.3450.0	1	shoulder ring 40 x 60 x 3.5
38	2.1711.011.0	1	stick 5x3x36
43	0.014.2731.2	1	lever
46	0.255.3661.0	1	ring nut m 35x1.5
47	0.013.1306.0	1	hub Z = 19
48	0.255.3438.0/20	1	sleeve Z = 19
49	2.1412.015.7	1	circlip 40x2.5
51	2.1410.016.1	1	circlip 40
53	2.2060.011.0	1	ball bearing 35 x 80 x 21
63	2.1530.062.0	1	oil seal 23.81 x 2.62

<https://www.ebooklibonline.com>

Hello dear friend!

Thank you very much for reading.

Enter the link into your browser.

The full manual is available for immediate download.

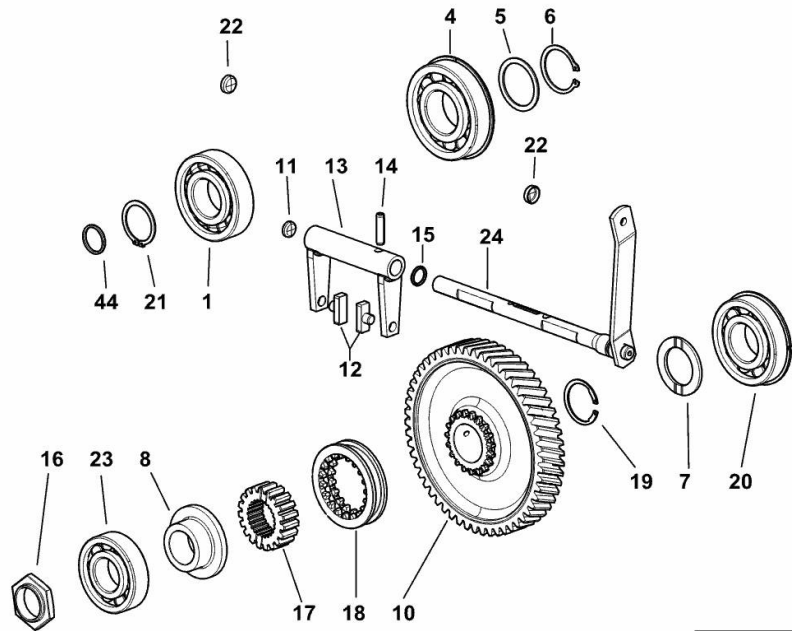
<https://www.ebooklibonline.com>

P.T.O. SHAFT 540/N

Fig.	P/n	QTY	Name
------	-----	-----	------

Notes:

- FOR EXPORT U.S.A TYPES WITH FIXED OUTPUT SHAFT [XB 100 TB ->5001]



9_R2236_02_0-A-001

1	2.2060.012.0	1	ball bearing 40 x 90 x 23
4	2.2062.013.0	1	ball bearing 45x100x25
5	2.1599.541.0	1	shoulder ring 45x55x2
6	2.1410.018.7	1	circlip 45
7	0.255.3450.0	1	shoulder ring 40 x 60 x 3.5
8	0.014.9042.0	1	spacer
10	0.010.8220.0	1	gear Z = 54
11	2.3171.006.4	1	plug Ø 16
12	0.255.6463.0	2	shoe
13	0.255.3658.2	1	fork
14	2.1630.713.0	1	roll pin 8x32
15	2.1530.038.0	1	oil seal 15.54x2.62
16	0.255.3661.0	1	ring nut m 35x1.5
17	0.255.3455.0	1	hub Z = 19
18	0.255.3438.0/20	1	sleeve Z = 19
19	2.1499.034.1	1	circlip 40 x 1.75
20	2.2062.012.0	1	ball bearing 40 x 90 x 23
21	2.1410.016.1	1	circlip 40
22	2.3171.007.4	2	plug Ø 18
23	2.2060.011.0	1	ball bearing 35 x 80 x 21
24	0.016.2240.0/20	1	lever
44	2.1530.062.0	1	oil seal 23.81 x 2.62

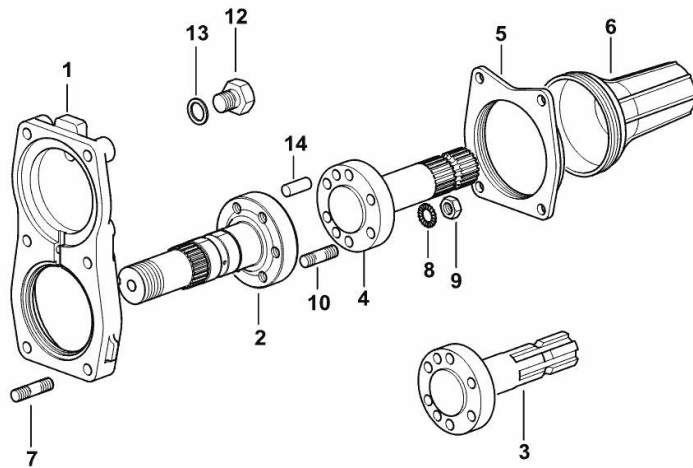
PTO - 2-SPEED WITH INSERTED END SHAFT

Fig.	P/n	QTY	Name
------	-----	-----	------

Notes:

[XB 100 TB ->5001]

1	0.009.6901.0/20	1	cover
2	0.255.3663.0/30	1	shaft
3	0.167.3660.0/30	1	power take-off shaft 1" 3/8, Z = 6
4	0.163.3671.0/40	1	power take-off shaft 1" 3/8, Z = 21
5	0.445.3151.0/10	1	flange
6	0.008.0757.0	1	guard
7	2.0432.161.7	6	stud bolt m 10 p.1.5 / p.1.25 x 40
8	2.1470.006.2	6	lock washer 10
9	2.1011.421.2	6	nut m 10 p.1.25
10	2.0432.155.7	6	stud bolt m 10 p.1.5 / p. 1.25 x 25
12	2.3110.403.1	1	plug m 14 p.1.5x12
13	2.1560.010.0	1	gasket 14.2 x 20
14	2.1651.811.0	2	cylindrical plug 10x24



9_B8636_11_0-A-001

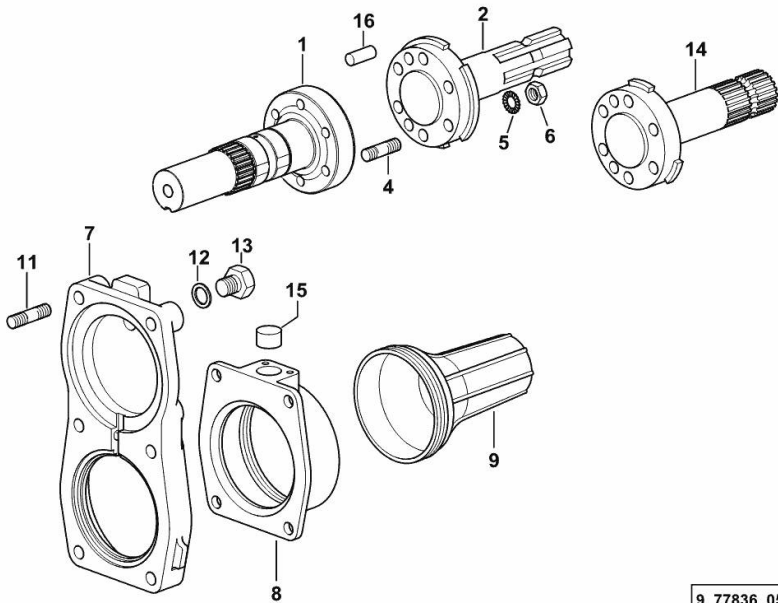
PTO - 2-SPEED WITH INSERTED END SHAFT

Fig.	P/n	QTY	Name
------	-----	-----	------

Notes:

- EXPORT U.S.A. [XB 100 TB ->5001]

1	0.255.3663.0/30	1	shaft
2	0.013.0259.0	1	power take-off shaft z = 6
4	2.0432.159.7	6	stud bolt m 10 p.1.5 / p.1.25 x 35
5	2.1470.006.2	6	lock washer 10
6	2.1011.421.2	6	nut m 10 p.1.25
7	0.009.6901.0/20	1	cover
8	0.011.0795.0/10	1	flange
9	0.008.0757.0	1	guard
11	2.0432.161.7	6	stud bolt m 10 p.1.5 / p.1.25 x 40
12	2.1560.010.0	1	gasket 14.2 x 20
13	2.3110.403.1	1	plug m 14 p.1.5x12
14	0.013.0258.0	1	power take-off shaft Z = 21
15	2.3171.008.4	1	plug 20
16	2.1651.811.0	2	cylindrical plug 10x24



9_77836_05_0-A-001

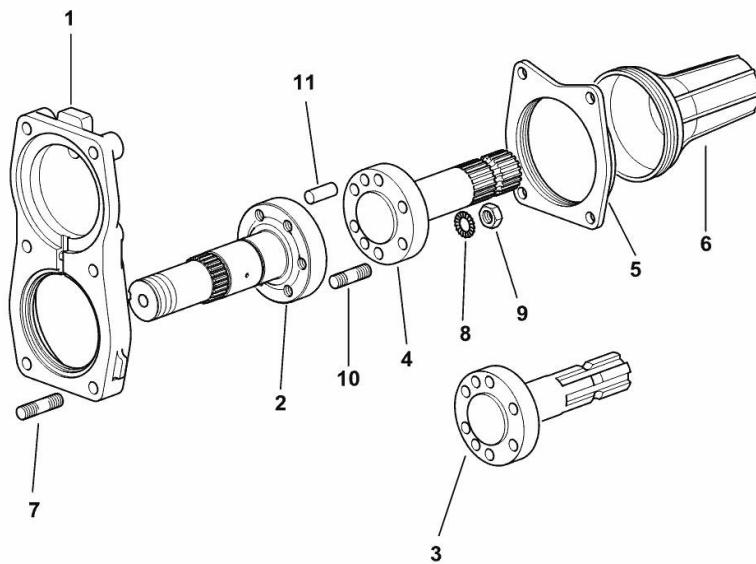
P.T.O. - WITH INSERTED END SHAFTS

Fig.	P/n	QTY	Name
------	-----	-----	------

Notes:

[XB 100 TB ->5001]

1	0.009.6901.0/20	1	cover
2	0.007.3474.0/20	1	power take-off shaft
3	0.167.3660.0/30	1	power take-off shaft 1" 3/8, Z = 6
4	0.163.3671.0/40	1	power take-off shaft 1" 3/8, Z = 21
5	0.445.3151.0/10	1	flange
6	0.008.0757.0	1	guard
7	2.0432.161.7	6	stud bolt m 10 p.1.5 / p.1.25 x 40
8	2.1470.006.2	6	lock washer 10
9	2.1011.421.2	6	nut m 10 p.1.25
10	2.0432.155.7	6	stud bolt m 10 p.1.5 / p. 1.25 x 25
11	2.1651.811.0	2	cylindrical plug 10x24



9_B8636_10_0-A-001

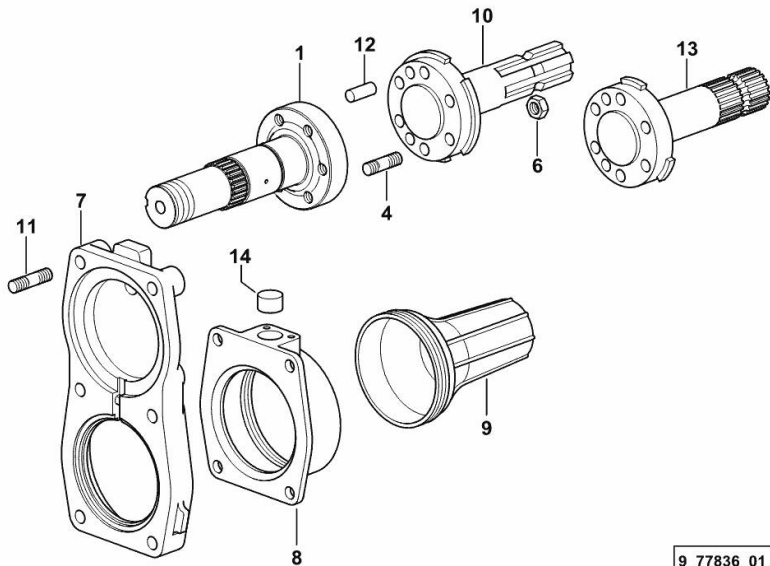
P.T.O - 4-SPEED WITH INSERTED END SHAFT

Fig.	P/n	QTY	Name
------	-----	-----	------

Notes:

- EXPORT U.S.A. [XB 100 TB ->5001]

1	0.007.3474.0/20	1	power take-off shaft
4	2.0432.159.7	6	stud bolt m 10 p.1.5 / p.1.25 x 35
6	2.1011.421.2	6	nut m 10 p.1.25
7	0.009.6901.0/20	1	cover
8	0.011.0795.0/10	1	flange
9	0.008.0757.0	1	guard
10	0.013.0259.0	1	power take-off shaft z = 6
11	2.0432.161.7	6	stud bolt m 10 p.1.5 / p.1.25 x 40
12	2.1651.811.0	2	cylindrical plug 10x24
13	0.013.0258.0	1	power take-off shaft Z = 21
14	2.3171.008.4	1	plug 20



9_77836_01_0-A-001

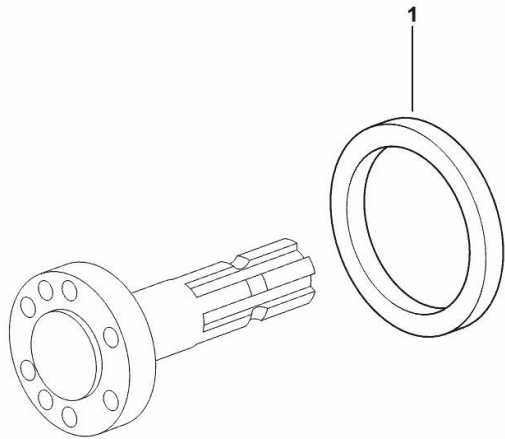
PTO - SEAL RING FOR INSERTED END SHAFT - STANDARD VERSION

Fig.	P/n	QTY	Name
-------------	------------	------------	-------------

Notes:

[XB 100 TB ->5001]

1	2.1520.043.0	1	oil seal 85 x 110 x 12
---	--------------	---	------------------------



9_52636_03_0-A-001



Suggest:

For more complete manuals. Please go to the home page.

<https://www.ebooklibonline.com>

If the above button click is invalid. Please download this document first, and then click the above link to download the complete manual.

Thank you so much for reading

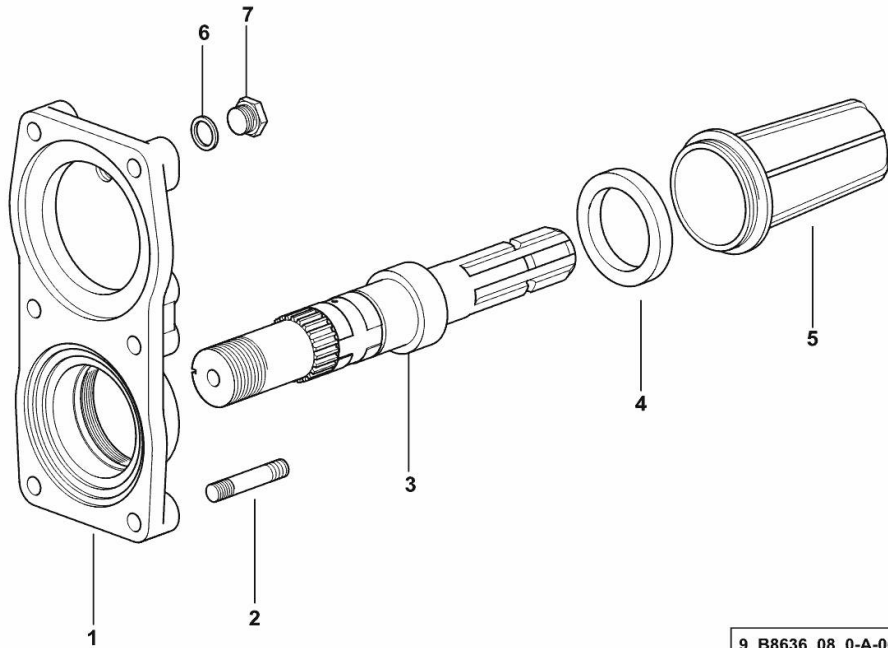
P.T.O. - FIXED END SHAFT - FOR 2-SPEED STANDARD SEALS

Fig.	P/n	QTY	Name
------	-----	-----	------

Notes:

[XB 100 TB ->5001]

1	0.010.7888.0/20	1	cover
2	2.0432.161.7	6	stud bolt m 10 p.1.5 / p.1.25 x 40
3	0.255.3652.0/30	1	power take-off shaft
4	2.1529.079.0	1	special oil seal 50 x 68 x 10
5	0.154.3655.0/10	1	guard
6	2.1560.010.0	1	gasket 14.2 x 20
7	2.3110.403.1	1	plug m 14 p.1.5x12



9_B8636_08_0-A-001

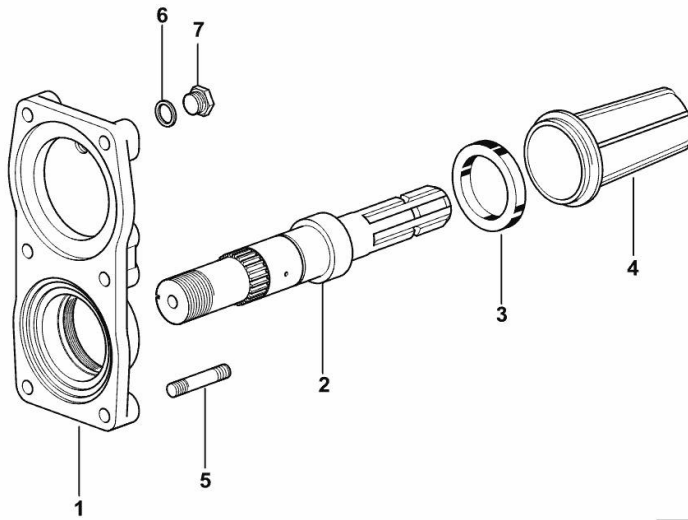
P.T.O. - FIXED END SHAFT - FOR 4-SPEED STANDARD SEALS

Fig.	P/n	QTY	Name
------	-----	-----	------

Notes:

[XB 100 TB ->5001]

1	0.010.7888.0/20	1	cover
2	0.007.3475.0/20	1	power take-off shaft
3	2.1529.079.0	1	special oil seal 50 x 68 x 10
4	0.154.3655.0/10	1	guard
5	2.0432.161.7	6	stud bolt m 10 p.1.5 / p.1.25 x 40
6	2.1560.010.0	1	gasket 14.2 x 20
7	2.3110.403.1	1	plug m 14 p.1.5x12



9_B8636_06_0-A-001

<https://www.ebooklibonline.com>

Hello dear friend!

Thank you very much for reading.

Enter the link into your browser.

The full manual is available for immediate download.

<https://www.ebooklibonline.com>