

INTERCOOLER

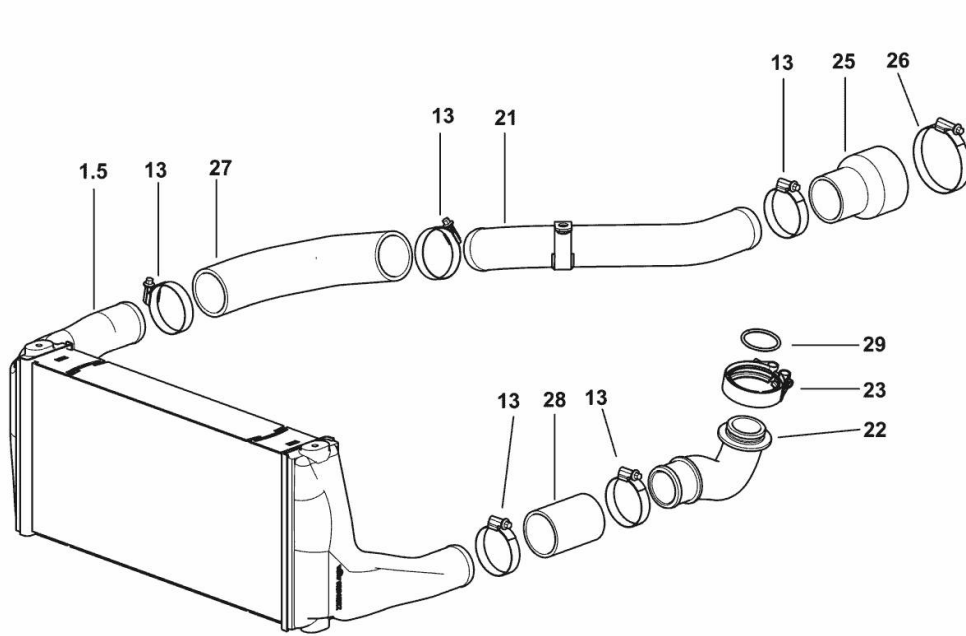


Fig.	P/n	QTY	Name
------	-----	-----	------

Notes:
[XB 100 TB ->1001]

1.5	0.014.8622.3	1	radiator
13	2.6851.006.0	7	clamp Ø 50/70
21	0.014.9366.3/10	1	tube
22	0.015.1779.0/10	1	flange
23	2.6859.112.0	1	clamp Ø 68 mm
25	0.014.9368.0/10	1	sleeve
26	2.6851.008.0	1	clamp Ø 70/90
27	0.014.9367.0/10	1	sleeve
28	0.015.5403.0	1	sleeve
29	2.1532.517.0	1	oil seal

9_L8083_00_0-A-001

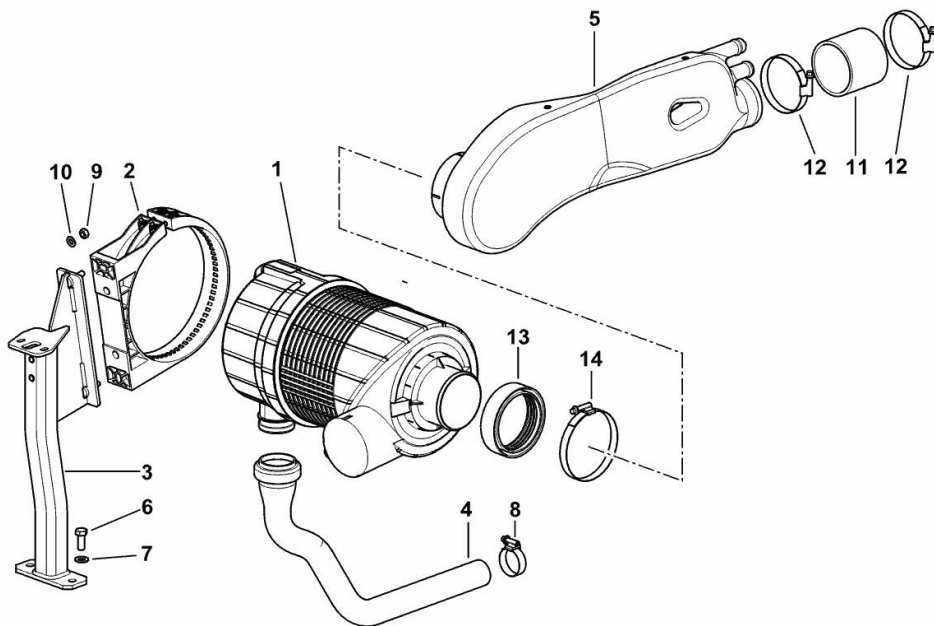
8" AIR CLEANER WITH DUST EXHAUSTER

Fig.	P/n	QTY	Name
------	-----	-----	------

Notes:

[XB 100 TB ->1001]

1	2.4249.718.0	1	air filter 8 " ☞ 2.4249.718.0
2	0.014.0679.4	1	support
3	0.015.8329.3/40	1	bracket
4	0.015.8327.0/10	1	tube
5	0.016.7714.2	1	sleeve
6	2.0112.309.2	2	screw m 10 p.1.5 x 25
7	2.1310.006.2	2	flat washer 10.5x21
8	2.6851.004.0	1	clamp Ø 32/50
9	2.1011.105.2	2	nut m 8 p.1.25
10	2.1310.004.2	2	flat washer 8.4x17
11	0.014.7967.0	1	pipe fitting
12	2.6851.009.0	2	clamp Ø 80/100
13	0.016.1885.0	1	ring
14	2.6851.010.0	1	clamp 90/110



9_R1481_01_0-A-001

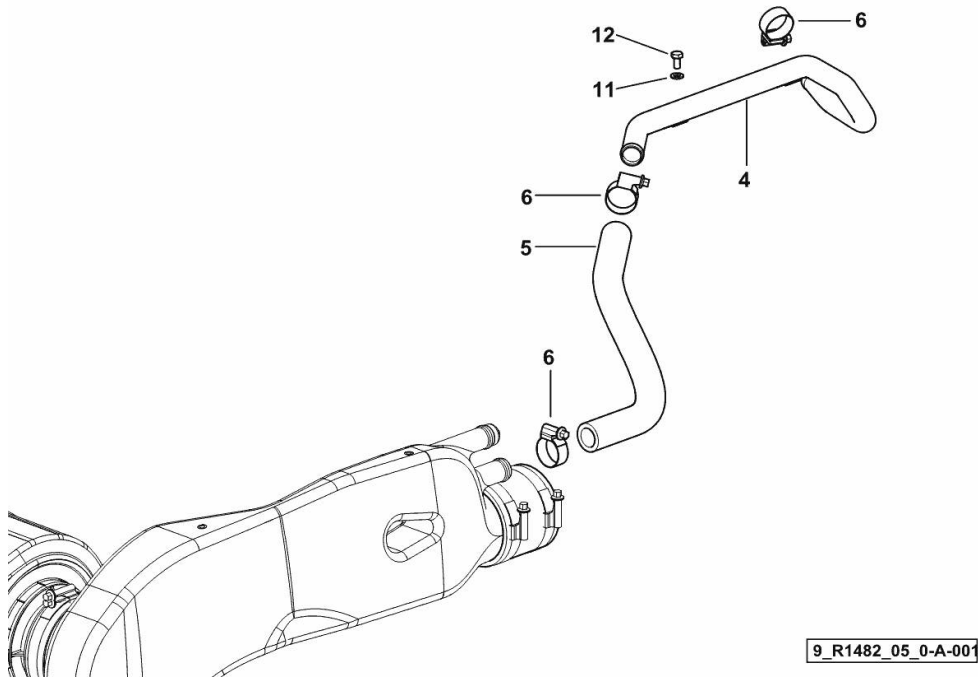
OIL VAPOUR RECOVERY PIPES

Fig.	P/n	QTY	Name
------	-----	-----	------

Notes:

[XB 100 TB ->1001]

4	0.016.8074.2	1	tube
5	0.014.9301.0	1	tube
6	2.6851.003.0	3	clamp Ø 25/40
11	2.1310.002.2	3	flat washer 6.4x12.5
12	2.0112.003.2	3	screw m 6 p.1 x 12



<https://www.ebooklibonline.com>

Hello dear friend!

Thank you very much for reading.

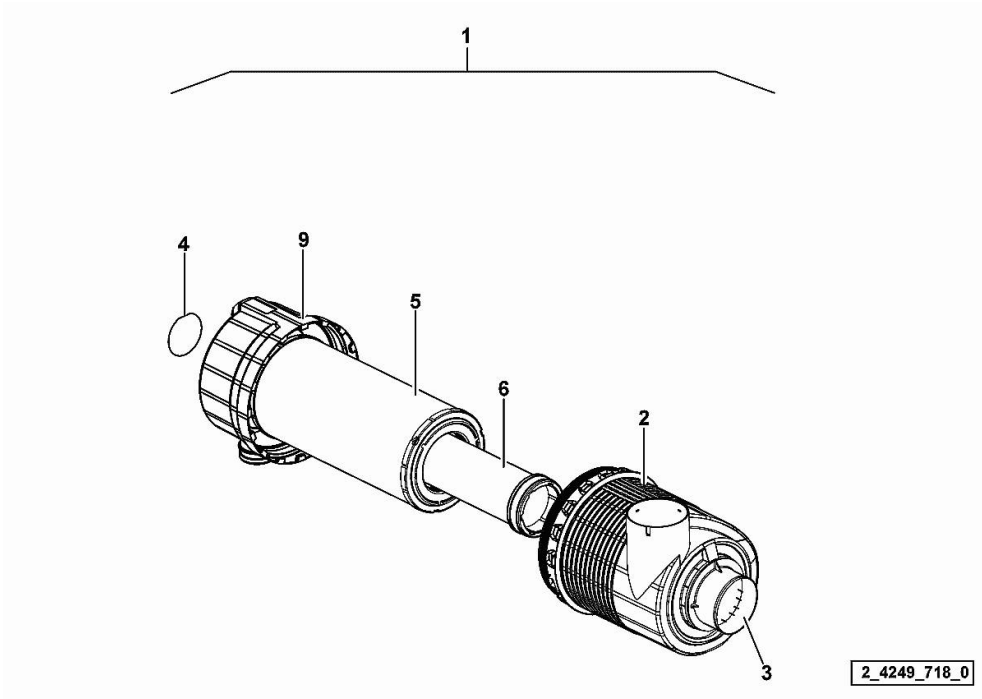
Enter the link into your browser.

The full manual is available for immediate download.

<https://www.ebooklibonline.com>

AIR CLEANER

Fig.	P/n	QTY	Name
1	2.4249.718.0	1	air filter 8 "
2	0.900.0300.7	1	box
3	0.900.1633.7	1	tube
4	0.000.0000.1	1	cannot be supplied
5	0.900.0301.0	1	external air filter element
6	0.900.0301.1	1	internal air filter element
9	0.900.0301.3	1	cover



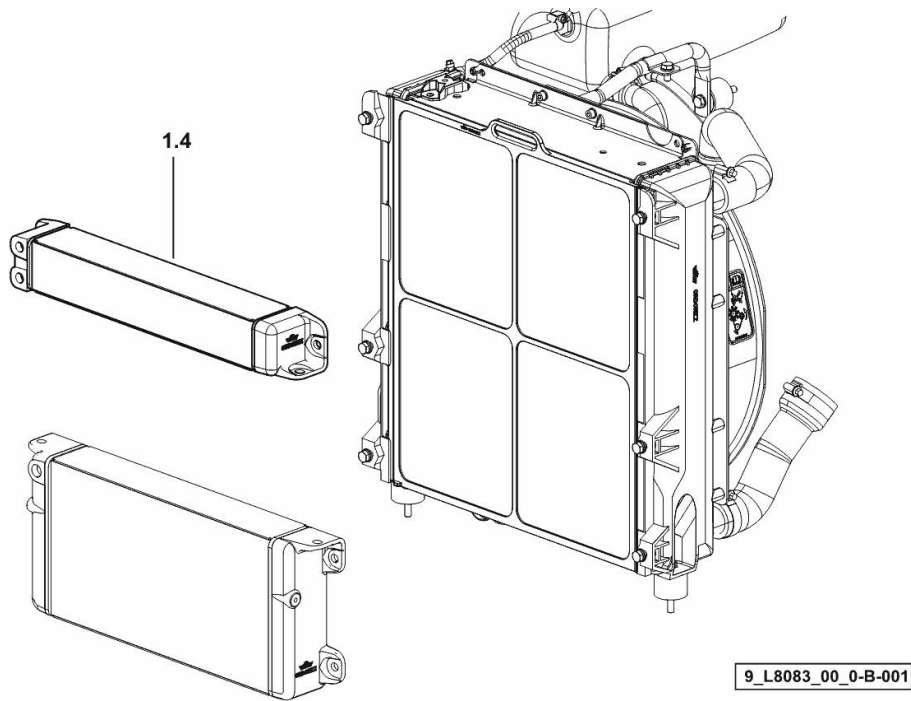
FUEL COOLER

Fig.	P/n	QTY	Name
-------------	------------	------------	-------------

Notes:

[XB 100 TB ->1001]

1.4	0.014.8032.3	1	radiator
-----	--------------	---	----------



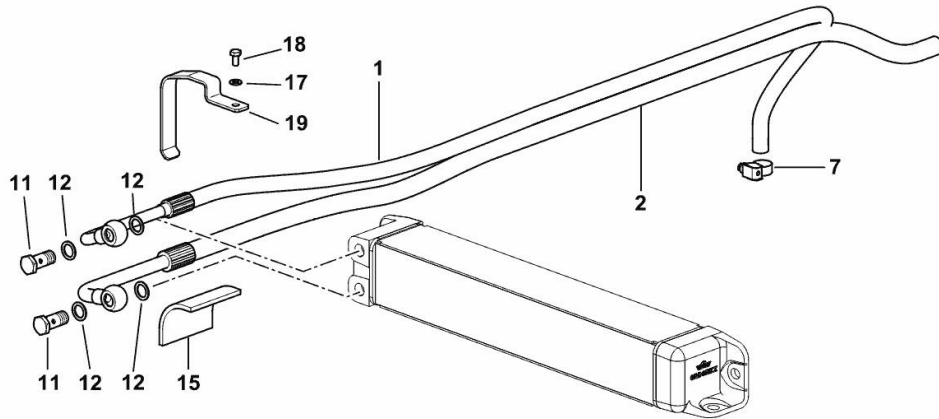
FUEL COOLER PIPES

Fig.	P/n	QTY	Name
------	-----	-----	------

Notes:

[XB 100 TB ->1001]

1	0.014.8520.3/20	1	tube
2	0.016.6194.3	1	tube
7	2.6851.019.0	2	clamp Ø 13/20
11	2.3335.053.2	2	pipe union m 14 p.1.5x32
12	2.1561.107.0	4	oil seal Ø 14 -B-
15	0.014.9300.0	1	insulator
17	2.1310.002.2	1	flat washer 6.4x12.5
18	2.0112.003.2	1	screw m 6 p.1 x 12
19	0.015.8799.0	1	bracket



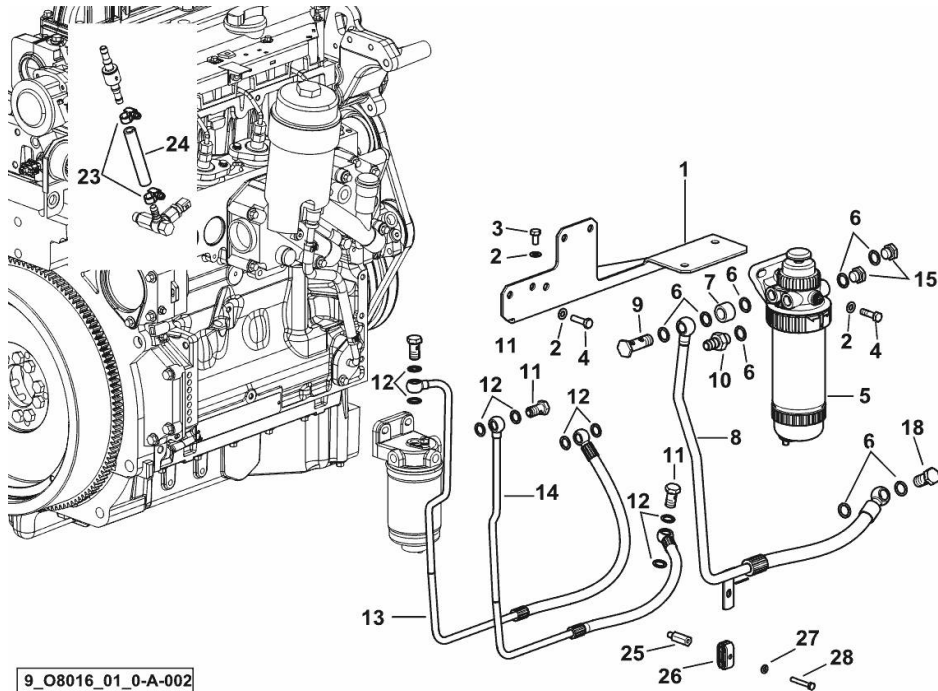
9_P9781_05_0-A-001

FUEL FILTER SUPPLY

Fig.	P/n	QTY	Name
------	-----	-----	------

Notes:

[XB 100 TB ->1001]



9_O8016_01_0-A-002

1	0.014.8692.3/20	1	bracket
2	2.1310.004.2	6	flat washer 8.4x17
3	2.0112.205.2	2	screw m 8 p.1.25 x 16
4	2.0112.211.2	4	screw m 8 p.1.25 x 30
5	2.4319.290.0/10	1	precleaner ☞ 2.4319.290.0/10
6	2.1560.012.0	8	gasket 16.2 x 22
7	2.1549.335.2	1	spacer 26.9x5x18
8	0.017.7968.3	1	tube
9	2.3339.597.2/10	1	pipe union m 16 p.1.5x50
10	2.3339.322.2	1	pipe union
11	2.3332.004.2	3	pipe union m 14 p.1.5 x 27
12	2.1560.010.0	9	gasket 14.2 x 20
13	0.017.7970.3	1	tube
14	0.017.7969.3	1	tube
15	2.3110.404.2	2	plug m 16 p.1.5
18	2.3332.005.2	1	pipe fitting m 16 p.1.5
23	2.6851.019.0	2	clamp Ø 13/20
24	0.012.6449.0	0.1	tube
25	0.017.8246.0	1	small column
26	2.3321.007.0	1	collar Ø10/10
27	2.1310.002.2	1	flat washer 6.4x12.5
28	2.0114.015.2	1	screw m 6 p.1 x 40

FUEL SYSTEM - TANK

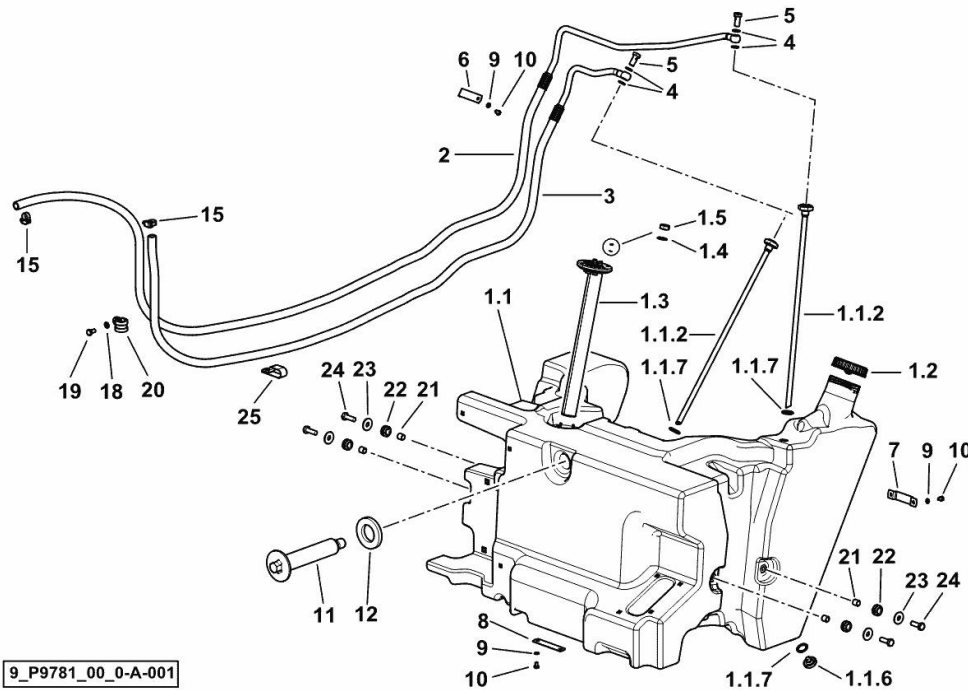


Fig.	P/n	QTY	Name
------	-----	-----	------

Notes:

[XB 100 TB ->1001]

1.1	0.016.0158.3/20	1	fuel tank
1.1.2	0.016.1346.3	2	tube
1.1.6	0.011.5133.0	1	plug m 12
1.1.7	2.1530.056.0	3	oil seal 21.82 x 3.53
1.2	0.008.9280.4	1	plug
1.3	2.7059.002.0	1	float ☞ 2.7059.002.0
1.4	2.1311.002.2	6	flat washer 4
1.5	2.1011.101.2	6	nut
2	0.016.4716.3/10	1	tube
3	0.016.4717.3/10	1	tube
4	2.1560.008.0	4	gasket 12.2 x 18
5	2.3339.472.2/10	2	pipe union m 12 p.1.25x26
6	0.016.4696.0	1	bracket
7	0.016.4693.0	1	bracket
8	0.016.4691.0	1	bracket
9	2.1470.002.2	5	lock washer 6
10	2.0112.002.2	5	screw m 6 p.1 x 10
11	0.016.1825.2	1	pin
12	0.016.1826.0	1	shim
15	2.6851.019.0	2	clamp Ø 13/20
18	2.1470.004.2	1	lock washer 8
19	2.0112.205.2	1	screw m 8 p.1.25 x 16
20	2.6839.051.0	1	clamp 20/20
21	2.1549.062.2	4	spacer 11x14x13
22	2.6569.011.0	4	rubber plug
23	2.1312.005.2	4	washer 10.2
24	2.0112.311.2	4	screw m 10 p.1.5 x 30
25	0.016.4667.0	1	bracket

PRE-FILTER - COMPONENTS

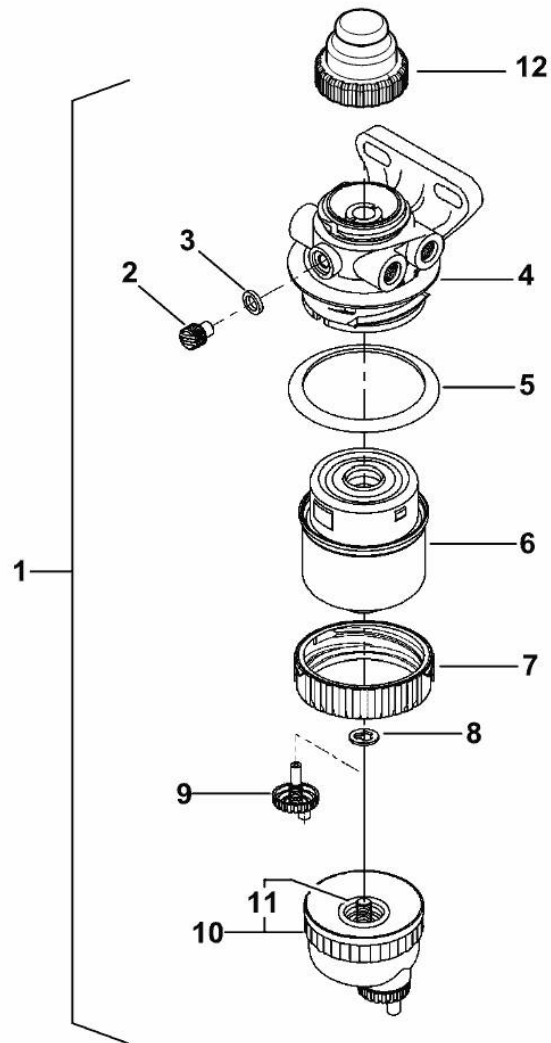


Fig.	P/n	QTY	Name
1	2.4319.290.0/10	1	precleaner
2	0.900.0789.7	1	valve
3	0.900.0789.8	1	ring
4	0.000.0000.1	1	cannot be supplied
5	0.900.0789.9	1	oil seal
6	0.900.0456.2	1	fuel filter element
7	0.900.0790.0	1	ring
8	0.900.0790.1	1	gasket
9	0.900.0790.2	1	valve
10	0.900.0790.4	1	small tank
11	0.900.0790.3	1	gasket
12	0.900.1450.6	1	small pump

2_4319_290_0_10



Suggest:

For more complete manuals. Please go to the home page.

<https://www.ebooklibonline.com>

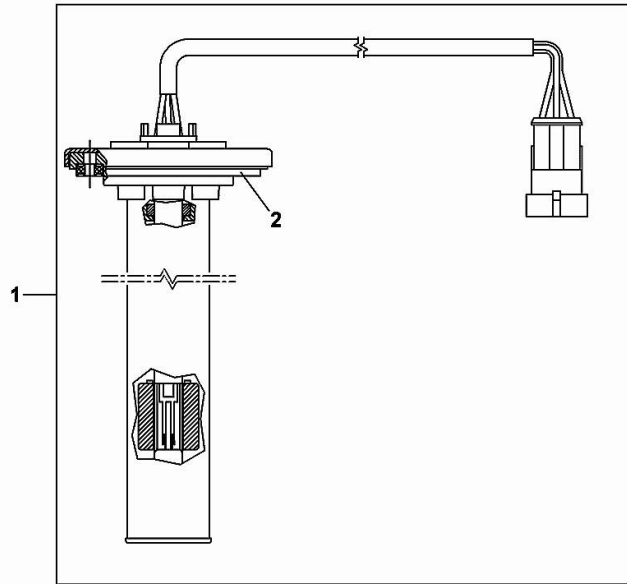
If the above button click is invalid. Please download this document first, and then click the above link to download the complete manual.

Thank you so much for reading

FUEL LEVEL SENSOR

Fig.	P/n	QTY	Name
1	2.7059.002.0	1	float
2	0.900.1581.8	1	gasket

2.7059.002.0



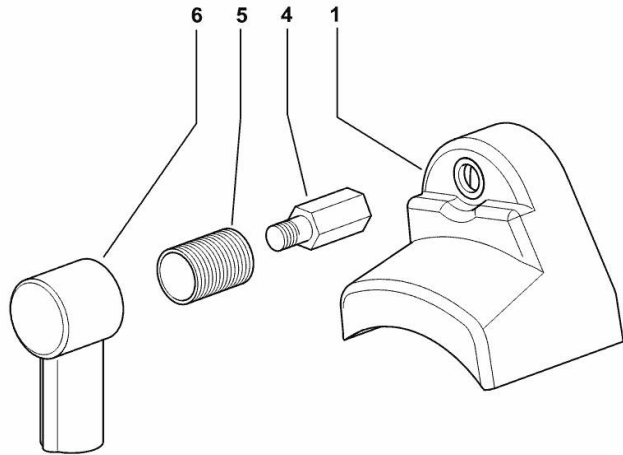
STARTER MOTOR COVER

Fig.	P/n	QTY	Name
------	-----	-----	------

Notes:

[XB 100 TB ->1001]

1	0.008.0391.0	1	cover
4	0.008.0616.0	1	pipe fitting m 10
5	0.008.0378.0	1	cover
6	2.6519.033.0	1	cap



9_R1484_02_0-B-001

<https://www.ebooklibonline.com>

Hello dear friend!

Thank you very much for reading.

Enter the link into your browser.

The full manual is available for immediate download.

<https://www.ebooklibonline.com>