

REDUCTION GEAR CONTROL

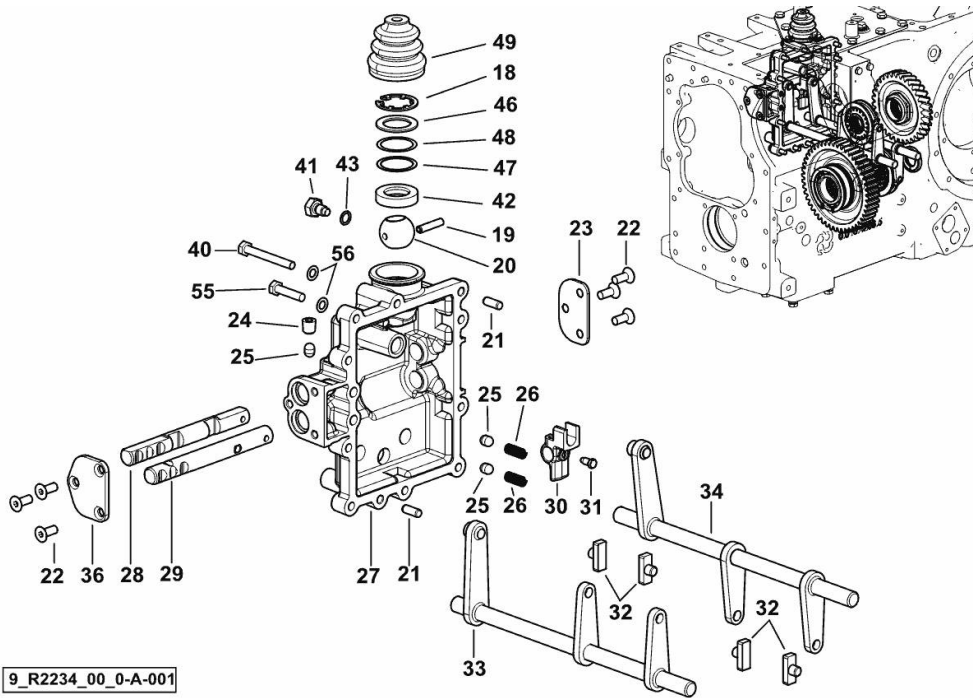


Fig.	P/n	QTY	Name
Notes:			
[XB 100 T ->5001]			
18	2.1499.054.1	1	circlip 42
19	2.1631.515.9	1	roll pin 6 x 32
20	0.255.6461.0	1	ball
21	2.1651.709.0	2	pin 8x20
22	2.0342.305.3	6	screw m 8 x 20
23	0.013.5465.0/10	1	plate
24	2.3131.001.4	1	plug m 12 p.1.5
25	2.1699.159.0	3	cap 10 x 14.1
26	2.4019.622.1	2	spring 6.3 x 9.5 x 1.6 x 22.4
27	0.013.5466.0	1	cover
28	0.013.5459.0	1	rod
29	0.013.5460.0	1	rod
30	0.013.5458.0	1	small lever
31	2.0399.019.1	1	screw m 8 p.1 x 16
32	0.255.6463.0	4	shoe
33	0.014.8304.2/10	1	fork
34	0.014.8303.2/20	1	fork
36	0.013.5464.0/10	1	plate
40	2.0112.222.2	1	screw m 8 p.1.25x65
41	2.0119.124.2	1	screw m 10 x 16
42	0.255.6462.0/10	1	spacer
43	2.1560.005.0	1	copper gasket 10.2 x 14
46	2.1599.429.0	1	shoulder ring 28x41.5
47	2.1580.115.0	1	shim 32.5x40x0.5
48	2.1580.114.0	1	shim 32.5x40x0.2
49	0.159.6415.0/10	1	guard
55	2.0112.213.2	8	screw m 8 p.1.25 x 35
56	2.1481.007.2	9	washer 8

SPEED RANGE REDUCTION GEAR UNIT

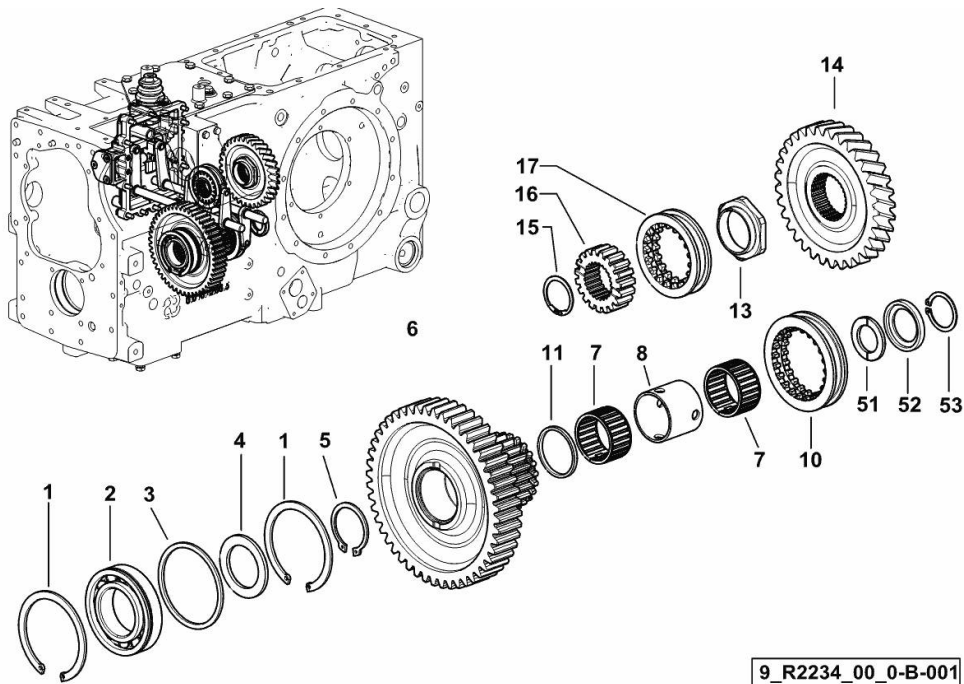


Fig.	P/n	QTY	Name
Notes:			
[XB 100 T ->5001]			
1	2.1411.036.1	2	circlip 90
2	2.2999.203.0	1	special bearing 50 x 90 x 20
3	2.1599.538.0	1	shoulder ring 80x89.5x3
4	2.1589.323.0	1	shoulder ring 45x65x4
5	2.1412.017.7	1	circlip 45
6	0.010.8998.0/20	1	gear z=48 z=22
7	2.2999.366.0	2	roller cage
8	2.1549.399.0/10	1	spacer
10	0.014.3116.0/10	1	sleeve
11	2.1549.413.0	1	spacer 47x52.8x4
13	2.1219.052.7/10	1	ring nut m 45 p.1.5
14	0.010.0843.0/20	1	gear z = 33
15	2.1419.067.0	1	circlip 35 x 1.5
16	0.255.3455.0	1	hub Z = 19
17	0.255.3438.0/20	1	sleeve Z = 19
51	0.008.5607.0/20	1	slewing ring
52	0.008.4481.0	1	ring
53	2.1410.014.1	1	circlip 35

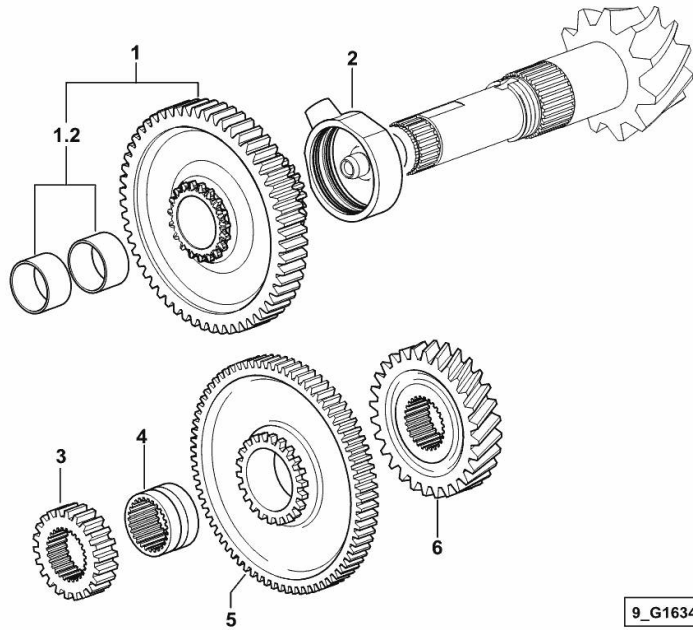
4-RANGE BOX

Fig.	P/n	QTY	Name
------	-----	-----	------

Notes:

[XB 100 T ->5001]

1	0.010.9013.3/10	1	gear z=56 z=26 z=19
1.2	2.1559.176.0	2	special bushing 40x44x25
2	0.007.3550.0	1	manifold
3	0.010.9008.0	1	hub Z = 22
4	0.010.9004.0/20	1	special bushing
5	0.010.9003.0	1	gear z=75 z=22
6	0.010.9006.0/10	1	gear Z = 28



9_G1634_08_0-A-001

<https://www.ebooklibonline.com>

Hello dear friend!

Thank you very much for reading.

Enter the link into your browser.

The full manual is available for immediate download.

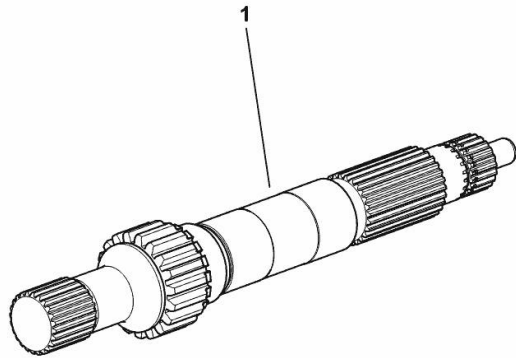
<https://www.ebooklibonline.com>

SPEED RANGE REDUCTION GEAR SHAFT

Fig.	P/n	QTY	Name
-------------	------------	------------	-------------

Notes:
[XB 100 T ->5001]

1	0.010.8996.0/10	1	reduction unit shaft
---	-----------------	---	----------------------



9_H1334_01_0-A-001

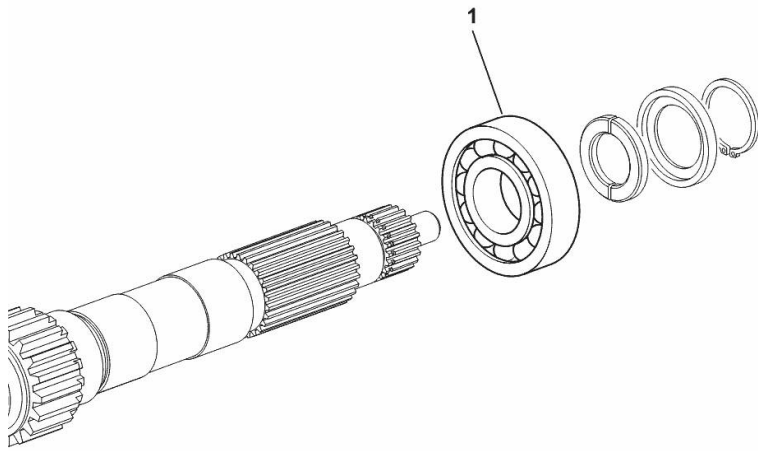
BEARING FOR RANGE GEARBOX SHAFT

Fig.	P/n	QTY	Name
------	-----	-----	------

Notes:

[XB 100 T ->5001]

1	2.2060.011.0	1	ball bearing 35 x 80 x 21
---	--------------	---	---------------------------



9_61434_03_0-A-001

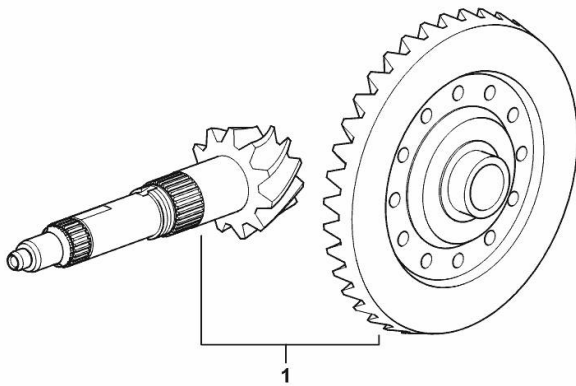
BEVEL WHEEL GEAR Z = 10 / Z = 39

Fig.	P/n	QTY	Name
------	-----	-----	------

Notes:

[XB 100 T ->5001]

1	0.008.5554.3/50	1	bevel drive Z = 10 / Z = 39
---	-----------------	---	-----------------------------



9_62035_02_0-A-001

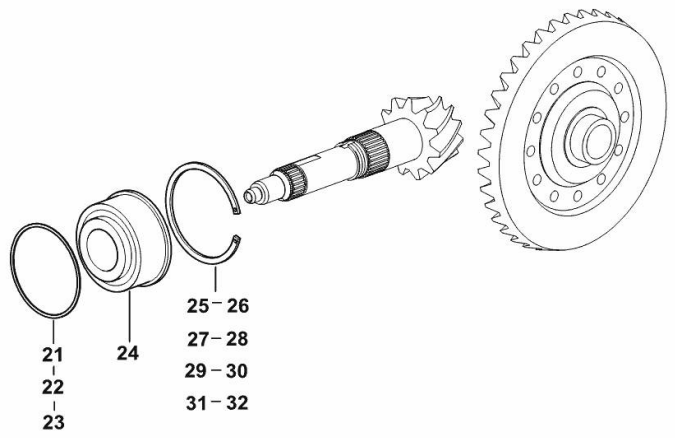
BEVEL DRIVE PINION BEARING

Fig.	P/n	QTY	Name
-------------	------------	------------	-------------

Notes:

[XB 100 T ->5001]

21	2.1589.167.0	1	shoulder ring 105 x 112 x 0.15
22	2.1589.168.0	1	shoulder ring 105 x 112 x 0.1
23	2.1589.169.0	1	shoulder ring 105 x 112 x 0.5
24	2.2999.502.0/10	1	special bearing
25	2.1499.061.1	0.12	circlip 120x3.4
26	2.1499.062.1	0.12	circlip 120x3.5
27	2.1499.063.1	0.12	circlip 120x3.6
28	2.1499.064.1	0.12	circlip 120x3.7
29	2.1499.065.1	0.12	circlip 120x3.8
30	2.1499.066.1	0.12	circlip 120x3.9
31	2.1499.067.1	0.12	circlip 120x4
32	2.1499.068.1	0.12	circlip 120x4.1



9_B8635_00_0-B-001

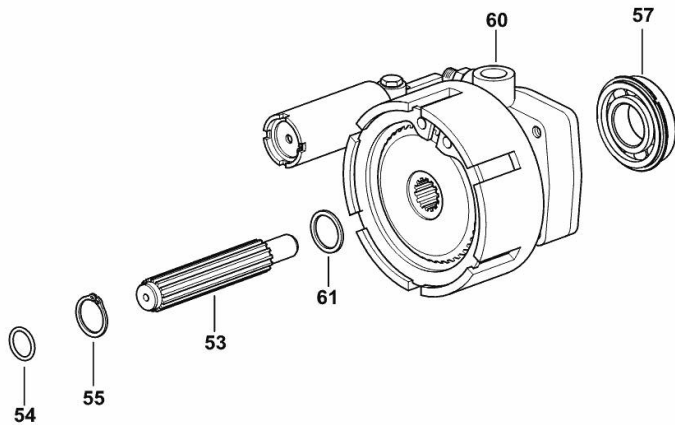
P.T.O. - HYDRAULIC CLUTCH

Fig.	P/n	QTY	Name
------	-----	-----	------

Notes:

[XB 100 T ->5001] 5002 <-

53	0.445.3930.0	1	shaft
54	2.1530.048.0	1	oil seal 18.72x2.62
55	2.1410.009.1	1	circlip 24
57	2.2043.009.0	1	ball bearing 30x62x16
60	0.012.7103.4/50	1	hydraulic PTO clutch (-> 5001)
61	2.1599.761.0	1	slewing ring 24x30x2



9_54639_02_0-A-001

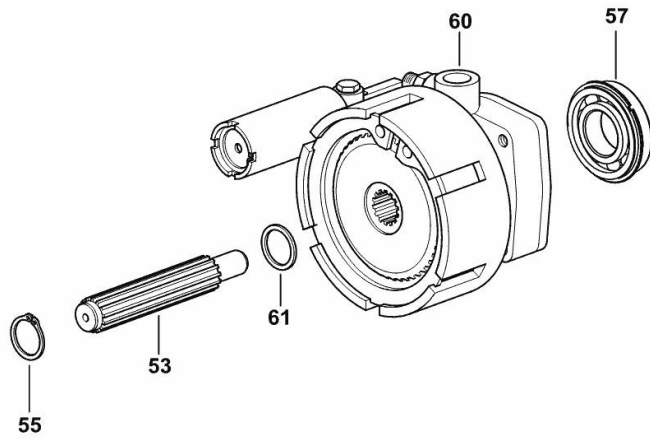
P.T.O. - HYDRAULIC CLUTCH

Fig.	P/n	QTY	Name
------	-----	-----	------

Notes:

[XB 100 T ->5001] -> 5003

53	0.445.3930.0	1	shaft
55	2.1410.009.1	1	circlip 24
57	2.2043.009.0	1	ball bearing 30x62x16
60	0.012.7103.4/50	1	hydraulic PTO clutch ☞ 0.012.7103.4/50
61	2.1599.761.0	1	slewing ring 24x30x2



9_54639_02_0-A-002

Section: D0 - TRANSMISSION
P.T.O. - CLUTCH-PARTS

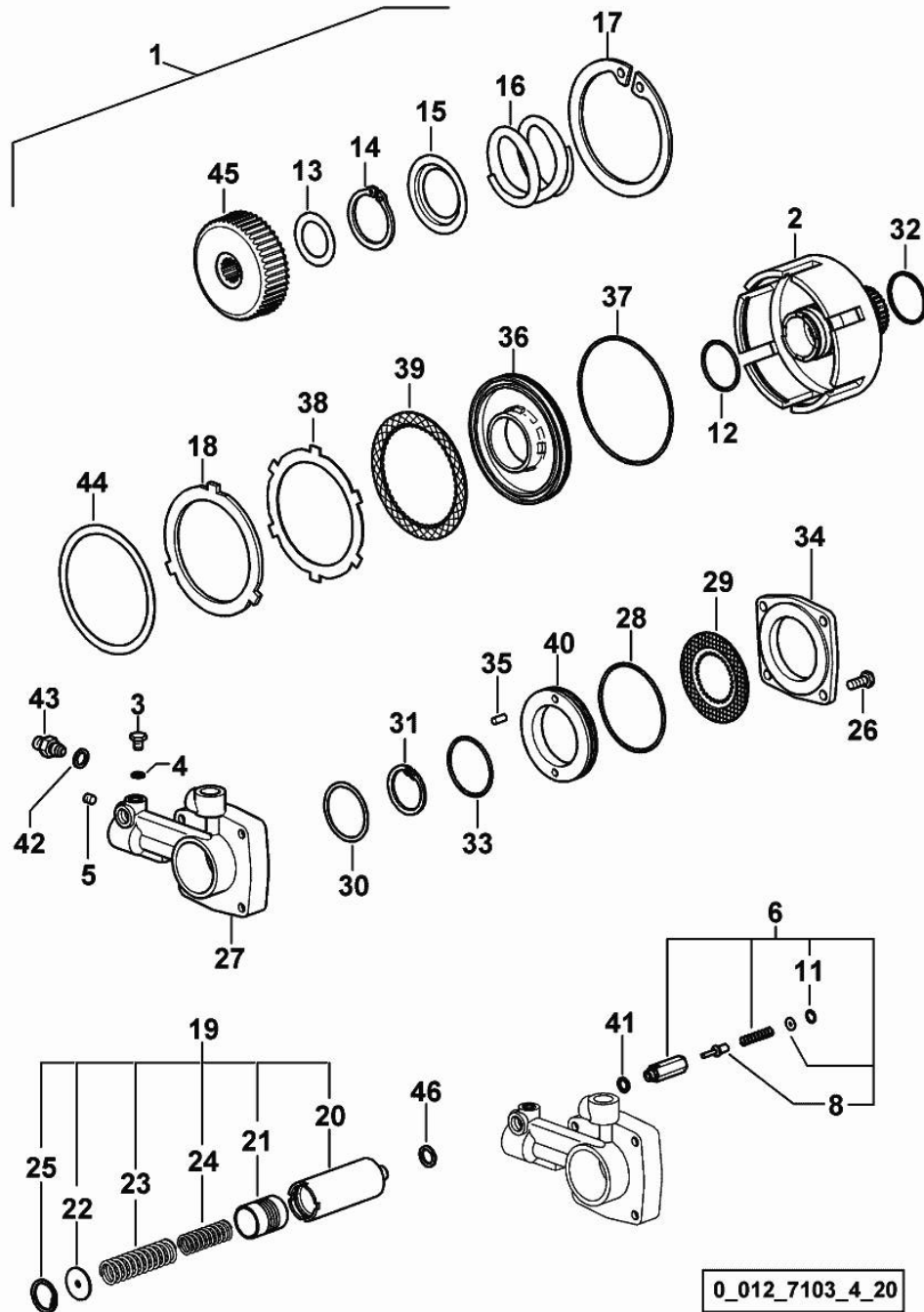


Fig.	P/n	QTY	Name
1	0.012.7103.4/20	1	hydraulic PTO clutch
2	0.008.4043.0/30	1	box
3	2.3110.428.1	1	plug m 8 p.1 x 10
4	2.1560.003.0	1	copper gasket 8.2 x 12
5	2.0512.202.7	1	screw m 8 p.1.25 x 8
6	0.009.2445.4/20	1	valve
8	0.009.2411.0/20	1	slider
11	2.1411.002.1	1	circlip
12	2.1539.067.0	1	special oil seal 44.12x2.72
13	2.1599.415.0	1	shoulder ring 35x52x1
14	2.1419.027.1	1	circlip 48
15	0.255.3933.0	1	disc
16	2.4019.373.1	1	spring 79.5x61.5x6.5
17	2.1419.035.1	1	circlip 127
18	0.255.3969.0/10	1	disc
19	0.010.0526.4/10	1	accumulator P.T.O.
20	0.010.0526.0	1	cylinder
21	0.010.0525.0	1	piston
22	2.1599.241.0	1	shoulder ring
23	2.4019.636.1	1	spring 20.8 x 27.2 x 3.2 x 86.5
24	2.4019.638.1	1	spring 14.2 x 19.4 x 2.6 x 58
25	2.1411.013.7	1	circlip Ø 32
26	2.0342.305.2	4	screw m 8 p.1.25 x 20
27	0.000.0000.1		cannot be supplied
28	2.1532.503.0	1	oil seal 82.14x2.62
29	0.014.0360.2	1	brake disc
30	2.1599.416.0	1	shoulder ring 50x58x1
31	2.1419.027.1	1	circlip 48
32	2.1569.109.0	3	gasket 46x50x2
33	2.1532.133.0	1	oil seal 53.64x2.62
34	0.255.3926.0/10	1	cover
35	2.1651.506.0	2	cylindrical plug 6 x 14
36	0.255.3938.0/40	1	piston
37	2.1539.064.0	1	special oil seal 120.33x2.62
38	0.013.9453.0	5	disc mm 1.75
39	0.255.3970.2	5	disc
40	0.255.3922.0/30	1	piston D 90
41	2.1560.005.0	1	copper gasket 10.2 x 14
42	2.1560.008.0	1	gasket 12.2 x 18
43	2.3339.453.2	1	pipe fitting m 12 p.1.25-1/2"
44	2.1599.499.0	1	shoulder ring 110 x 126.5 x 1.2
45	0.008.8806.0/20	1	hub
46	2.1560.010.0	1	gasket 14.2 x 20

P.T.O. - CLUTCH-PARTS

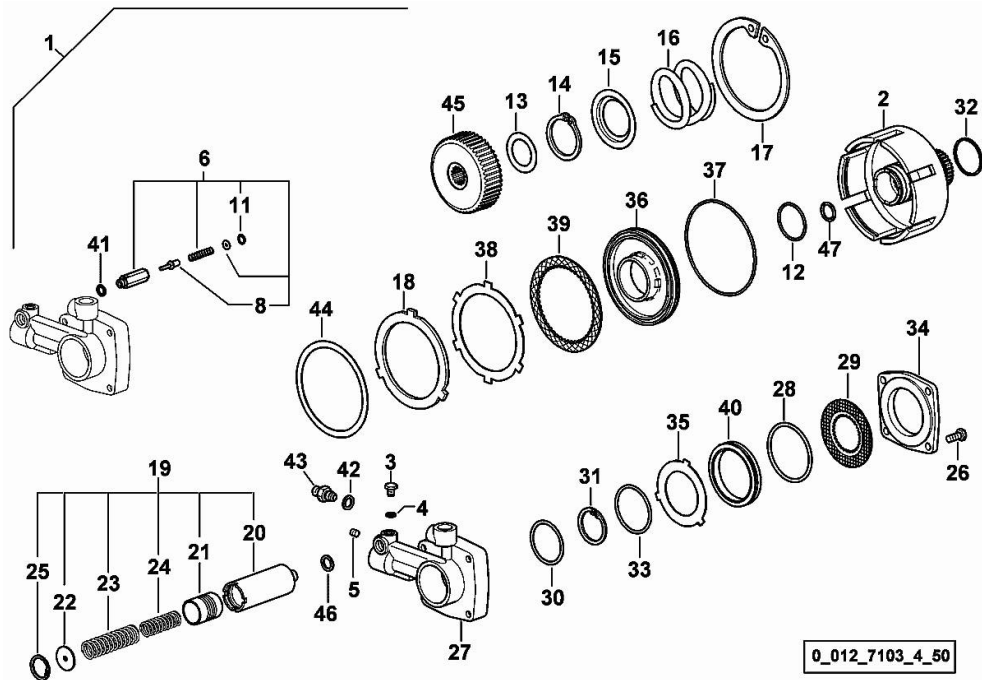


Fig.	P/n	QTY	Name
1	0.012.7103.4/50	1	hydraulic PTO clutch
2	0.008.4043.0/40	1	box
3	2.3110.428.1	1	plug m 8 p.1 x 10
4	2.1560.003.0	1	copper gasket 8.2 x 12
5	2.0512.202.7	1	screw m 8 p.1.25 x 8
6	0.009.2445.4/20	1	valve
8	0.009.2411.0/20	1	slider
11	2.1411.002.1	1	circlip
12	2.1539.067.0	1	special oil seal 44.12x2.72
13	2.1599.415.0	1	shoulder ring 35x52x1
14	2.1419.027.1	1	circlip 48
15	0.255.3933.0	1	disc
16	2.4019.373.1	1	spring 79.5x61.5x6.5
17	2.1419.035.1	1	circlip 127
18	0.255.3969.0/10	1	disc
19	0.010.0526.4/10	1	accumulator P.T.O.
20	0.010.0526.0	1	cylinder
21	0.010.0525.0	1	piston
22	2.1599.241.0	1	shoulder ring
23	2.4019.636.1	1	spring 20.8 x 27.2 x 3.2 x 86.5
24	2.4019.638.1	1	spring 14.2 x 19.4 x 2.6 x 58
25	2.1411.013.7	1	circlip Ø 32
26	2.0342.305.2	4	screw m 8 p.1.25 x 20
27	0.008.3063.0/40	1	spool valve
28	2.1532.505.0	1	oil seal 77.50 x 2.62
29	0.014.0360.2	1	brake disc
30	2.1599.416.0	1	shoulder ring 50x58x1
31	2.1419.027.1	1	circlip 48
32	2.1569.109.0/10	3	gasket 46 x 50 x 2.0
33	2.1532.150.0	1	oil seal 61.60x2.62
34	0.255.3926.0/10	1	cover
35	0.013.8983.0	1	disc mm 1.5
36	0.255.3938.0/40	1	piston
37	2.1539.064.0	1	special oil seal 120.33x2.62
38	0.013.9453.0	5	disc mm 1.75
39	0.255.3970.2/10	5	disc
40	0.255.3922.0/40	1	piston D 84
41	2.1560.005.0	1	copper gasket 10.2 x 14
42	2.1560.008.0	1	gasket 12.2 x 18
43	2.3339.453.2	1	pipe fitting m 12 p.1.25-1/2"
44	2.1599.499.0	1	shoulder ring 110 x 126.5 x 1.2
45	0.008.8806.0/20	1	hub
46	2.1560.010.0	1	gasket 14.2 x 20
47	2.1530.062.0	1	oil seal 23.81 x 2.62

Section: D0 - TRANSMISSION
P.T.O. - PUMP CONTROL

9_H1539_00_0-A-001

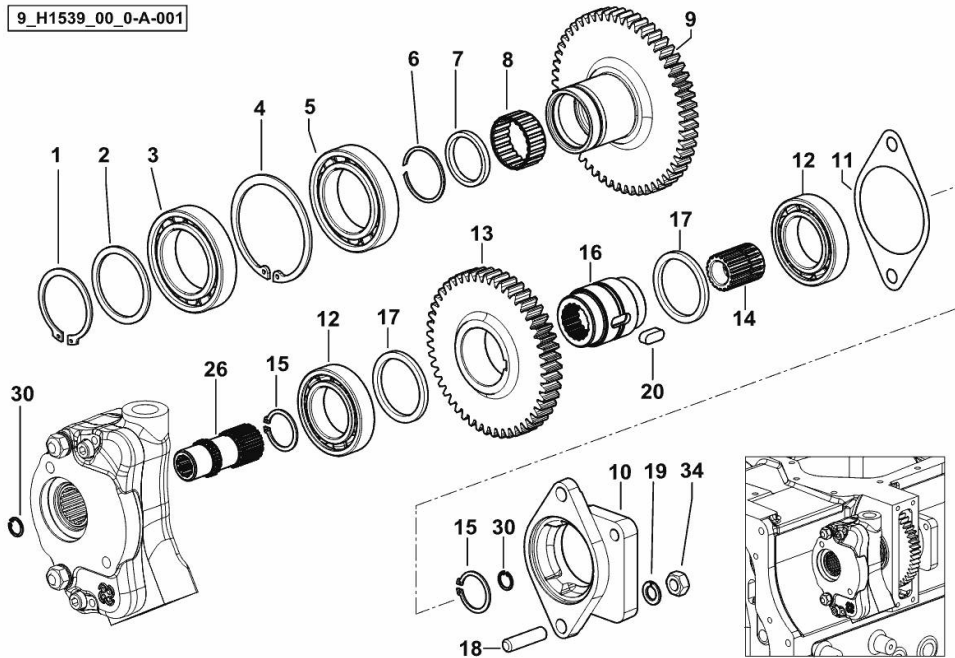


Fig.	P/n	QTY	Name
------	-----	-----	------

Notes:
 [XB 100 T ->5001]

1	2.1410.020.1	1	circlip 50
2	2.1599.426.0	1	shoulder ring 50x60x2.5
3	2.2030.011.0	1	ball bearing 50 x 80 x 16
4	2.1411.032.1	1	circlip 80
5	2.2999.465.0	1	special bearing 50 x 80 x 16
6	2.1423.031.7	1	circlip 43.8x1.5
7	2.1549.372.0	1	spacer 42.5x35.15x5
8	2.2999.357.0	1	roller cage 42x35x17.8
9	0.013.3794.0/10	1	gear Z = 55
10	0.255.3942.0/30	1	flange
11	0.255.3953.0/10	1	gasket
12	2.2030.009.0	2	ball bearing iso 40 bc 10
13	0.013.3792.0	1	gear Z = 49
14	0.008.4464.0/30	1	sleeve Z = 9 / Z = 17
15	2.1410.011.1	2	circlip 28
16	0.013.7789.0/10	1	sleeve Z = 17
17	2.1599.884.0	2	shim 45x55x4
18	2.0422.305.7	2	stud bolt m 10 p. 1.5 x 25
19	2.1560.006.0	2	gasket 10.2 x 16
20	2.1799.036.0	1	stick 8x7x20
26	0.015.1096.0/40	1	sleeve
30	2.1411.003.1	2	circlip 14
34	2.1011.106.2	1	nut m 10 p.1.5



Suggest:

For more complete manuals. Please go to the home page.

<https://www.ebooklibonline.com>

If the above button click is invalid. Please download this document first, and then click the above link to download the complete manual.

Thank you so much for reading

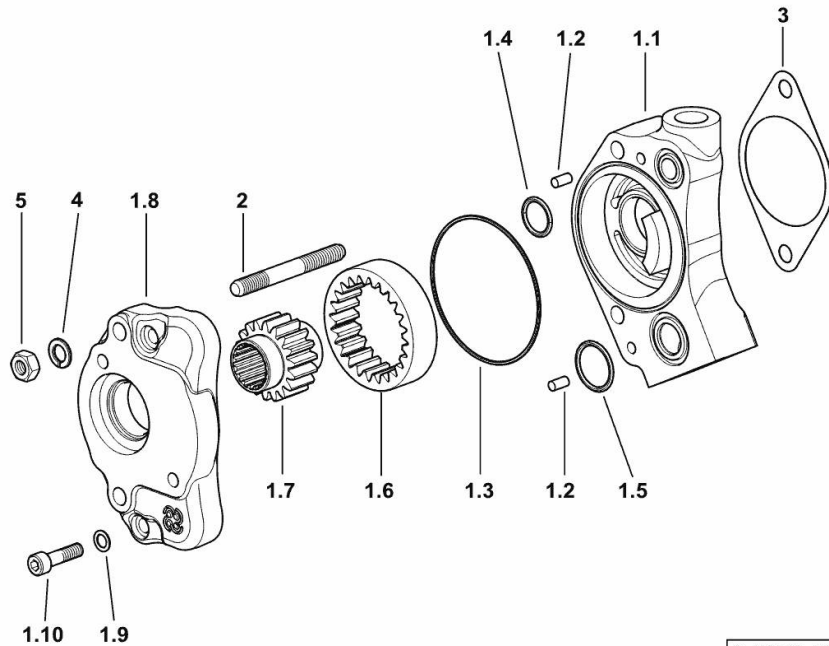
OIL TRANSFER PUMP ASSY.

Fig.	P/n	QTY	Name
------	-----	-----	------

Notes:

[XB 100 T ->5001]

1.1	0.015.1087.0/20	1	pump casing
1.2	2.1659.525.0	2	pin
1.3	2.1532.510.0	1	oil seal 88.62x1.78
1.4	2.1531.052.0	1	oil seal 20.29 x 2.62
1.5	2.1531.066.0	1	oil seal 25.07x2.62
1.6	0.015.1093.0/10	1	crown wheel
1.7	0.015.1092.0/10	1	gear
1.8	0.015.1068.0/20	1	flange
1.9	2.1480.014.2	2	washer 8
1.10	2.0312.210.2	2	screw m 8 p 1.25 x 30
2	2.0422.320.7	2	stud bolt m 10 p 1.5 x 15 / m 10 x 75
3	0.255.3953.0/10	1	gasket
4	2.1474.010.2	2	washer 10
5	2.1011.106.2	2	nut m 10 p.1.5



9_H1582_03_0-A-001

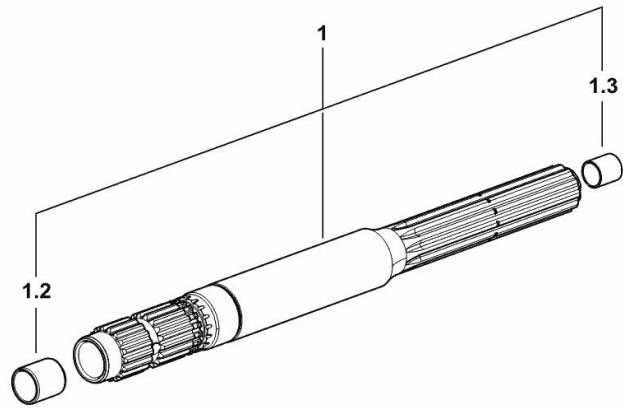
Section: D0 - TRANSMISSION
PTO CONNECTION SHAFT

Fig.	P/n	QTY	Name
------	-----	-----	------

Notes:

540/750/1000/1300 [XB 100 T ->5001]

1	0.007.3473.3/10	1	shaft
1.2	2.1559.023.0/10	1	special bushing 15.8x19x20
1.3	2.1552.101.0	1	bushing 12 x 14 x 15



9_R2236_03_0-A-001

<https://www.ebooklibonline.com>

Hello dear friend!

Thank you very much for reading.

Enter the link into your browser.

The full manual is available for immediate download.

<https://www.ebooklibonline.com>