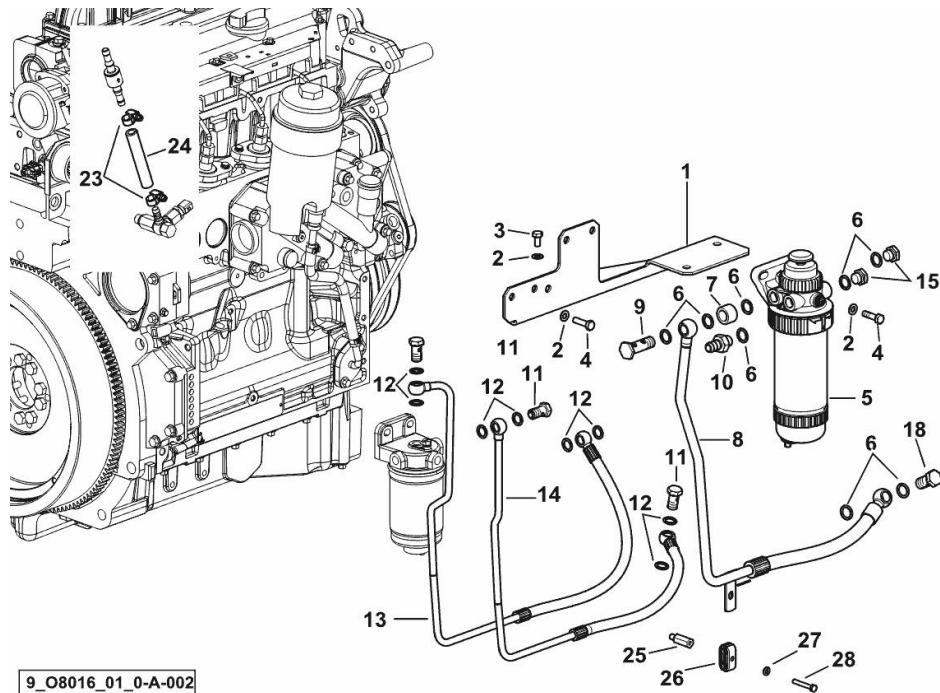


**FUEL FILTER SUPPLY**

Fig.	P/n	QTY	Name
------	-----	-----	------

**Notes:**

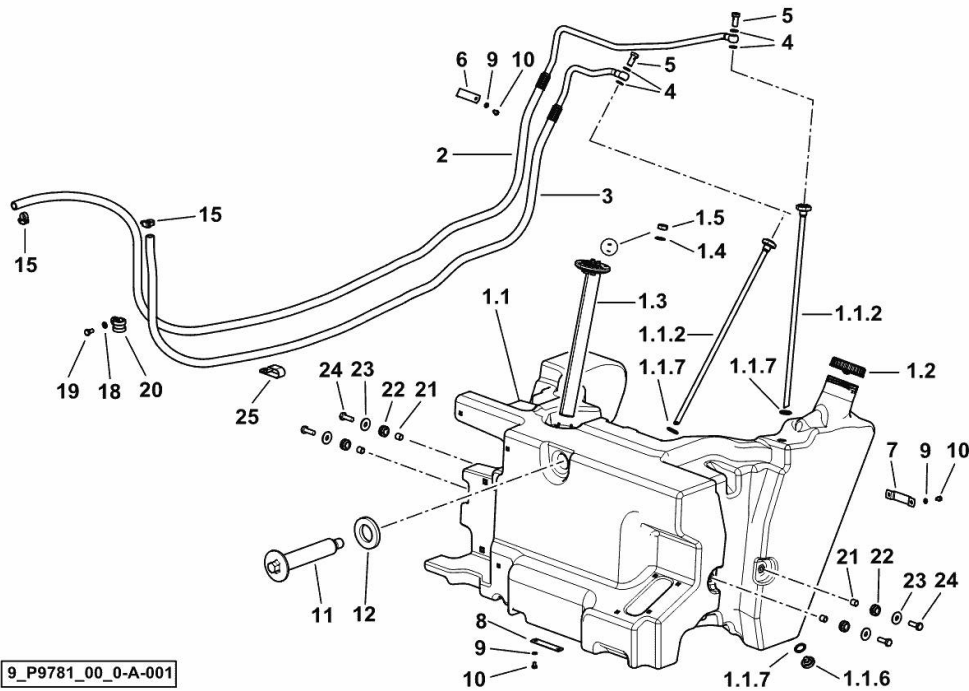
[XB 85 TB ->5001]



9\_O8016\_01\_0-A-002

1	0.014.8692.3/20	1	bracket
2	2.1310.004.2	6	flat washer 8.4x17
3	2.0112.205.2	2	screw m 8 p.1.25 x 16
4	2.0112.211.2	4	screw m 8 p.1.25 x 30
5	2.4319.290.0/10	1	precleaner ☞ 2.4319.290.0/10
6	2.1560.012.0	8	gasket 16.2 x 22
7	2.1549.335.2	1	spacer 26.9x5x18
8	0.017.7968.3	1	tube
9	2.3339.597.2/10	1	pipe union m 16 p.1.5x50
10	2.3339.322.2	1	pipe union
11	2.3332.004.2	3	pipe union m 14 p.1.5 x 27
12	2.1560.010.0	9	gasket 14.2 x 20
13	0.017.7970.3	1	tube
14	0.017.7969.3	1	tube
15	2.3110.404.2	2	plug m 16 p.1.5
18	2.3332.005.2	1	pipe fitting m 16 p.1.5
23	2.6851.019.0	2	clamp Ø 13/20
24	0.012.6449.0	0.1	tube
25	0.017.8246.0	1	small column
26	2.3321.007.0	1	collar Ø10/10
27	2.1310.002.2	1	flat washer 6.4x12.5
28	2.0114.015.2	1	screw m 6 p.1 x 40

**FUEL SYSTEM - TANK**



9\_P9781\_00\_0-A-001

Fig.	P/n	QTY	Name
------	-----	-----	------

**Notes:**

[XB 85 TB ->5001]

1.1	0.016.0158.3/20	1	fuel tank ( -> 5001 )
1.1.2	0.016.1346.3	2	tube
1.1.6	0.011.5133.0	1	plug m 12
1.1.7	2.1530.056.0	3	oil seal 21.82 x 3.53
1.2	0.008.9280.4	1	plug
1.3	2.7059.002.0	1	float ☞ 2.7059.002.0
1.4	2.1311.002.2	6	flat washer 4
1.5	2.1011.101.2	6	nut
2	0.016.4716.3/10	1	tube ( -> 5001 )
3	0.016.4717.3/10	1	tube ( -> 5001 )
4	2.1560.008.0	4	gasket 12.2 x 18
5	2.3339.472.2/10	2	pipe union m 12 p.1.25x26
6	0.016.4696.0	1	bracket
7	0.016.4693.0	1	bracket
8	0.016.4691.0	1	bracket
9	2.1470.002.2	5	lock washer 6
10	2.0112.002.2	5	screw m 6 p.1 x 10
11	0.016.1825.2	1	pin
12	0.016.1826.0	1	shim
15	2.6851.019.0	2	clamp Ø 13/20
18	2.1470.004.2	1	lock washer 8
19	2.0112.205.2	1	screw m 8 p.1.25 x 16
20	2.6839.051.0	1	clamp 20/20
21	2.1549.062.2	4	spacer 11x14x13
22	2.6569.011.0	4	rubber plug
23	2.1312.005.2	4	washer 10.2
24	2.0112.311.2	4	screw m 10 p.1.5 x 30
25	0.016.4667.0	1	bracket

**PRE-FILTER - COMPONENTS**

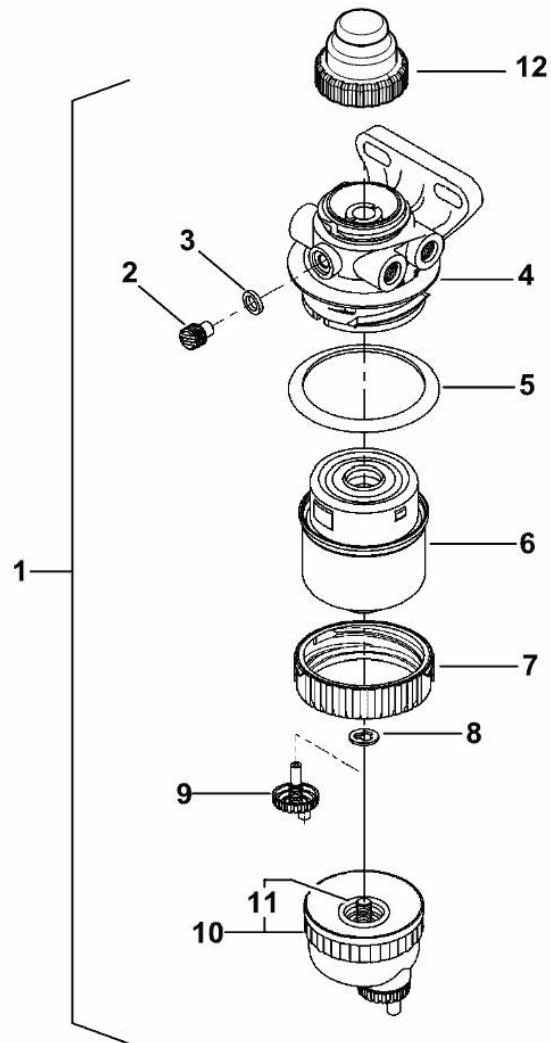


Fig.	P/n	QTY	Name
1	2.4319.290.0/10	1	precleaner
2	0.900.0789.7	1	valve
3	0.900.0789.8	1	ring
4	0.000.0000.1	1	cannot be supplied
5	0.900.0789.9	1	oil seal
6	0.900.0456.2	1	fuel filter element
7	0.900.0790.0	1	ring
8	0.900.0790.1	1	gasket
9	0.900.0790.2	1	valve
10	0.900.0790.4	1	small tank
11	0.900.0790.3	1	gasket
12	0.900.1450.6	1	small pump

2\_4319\_290\_0\_10

**<https://www.ebooklibonline.com>**

Hello dear friend!

Thank you very much for reading.

Enter the link into your browser.

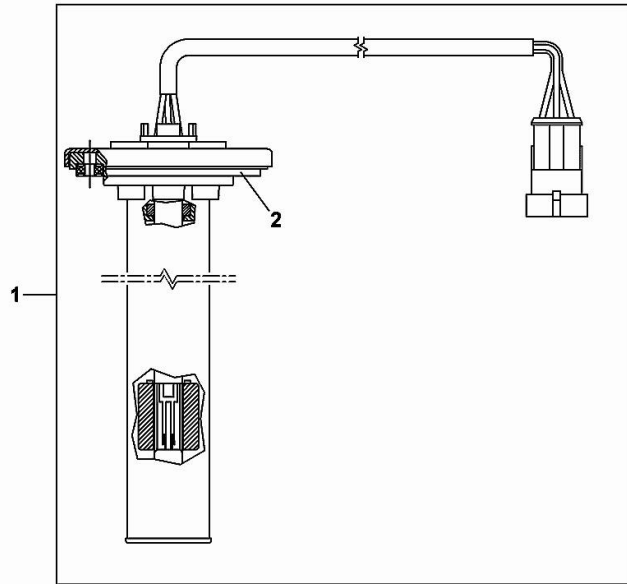
The full manual is available for immediate download.

**<https://www.ebooklibonline.com>**

**FUEL LEVEL SENSOR**

Fig.	P/n	QTY	Name
1	2.7059.002.0	1	float
2	0.900.1581.8	1	gasket

2.7059.002.0



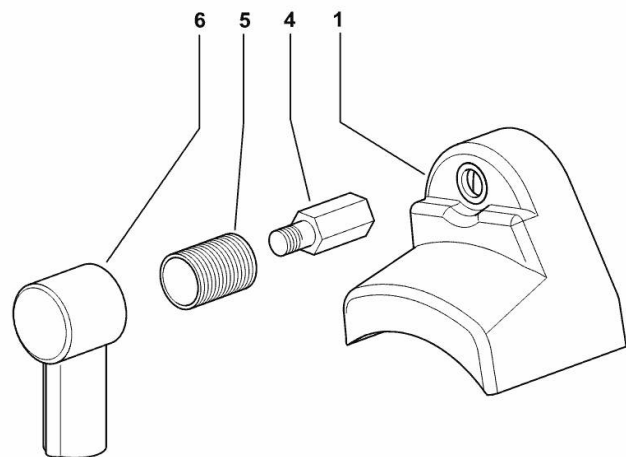
**STARTER MOTOR COVER**

Fig.	P/n	QTY	Name
------	-----	-----	------

**Notes:**

[XB 85 TB ->5001]

1	0.008.0391.0	1	cover
4	0.008.0616.0	1	pipe fitting m 10
5	0.008.0378.0	1	cover
6	2.6519.033.0	1	cap



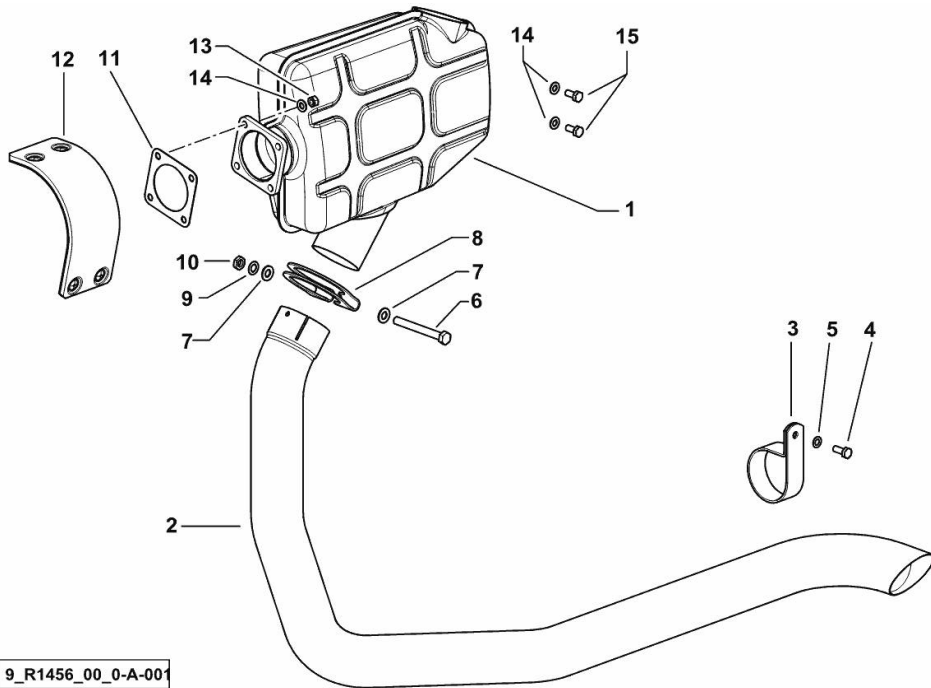
9 R1484\_02\_0-B-001

**EXHAUST SILENCER**

Fig.	P/n	QTY	Name
------	-----	-----	------

Notes:  
[XB 85 TB ->5001]

1	0.015.7915.3	1	exhaust silencer
2	0.016.6326.0/10	1	exhaust pipe
3	0.016.8389.0	1	bracket
4	2.0112.207.2	1	screw m 8 p 1.25 x 20
5	2.1470.004.2	1	lock washer 8
6	2.0112.327.2	1	screw m 10 p.1.5 x 90
7	2.1310.006.2	2	flat washer 10.5x21
8	0.010.5018.0	1	clamp
9	2.1470.006.2	1	lock washer 10
10	2.1011.206.2	1	nut
11	0.010.9862.0	1	gasket
12	0.014.7978.3/10	1	guard
13	2.1011.105.2	2	nut m 8 p.1.25
14	2.1310.004.2	4	flat washer 8.4x17
15	2.0112.206.2	2	screw m 8 p.1.25 x 18



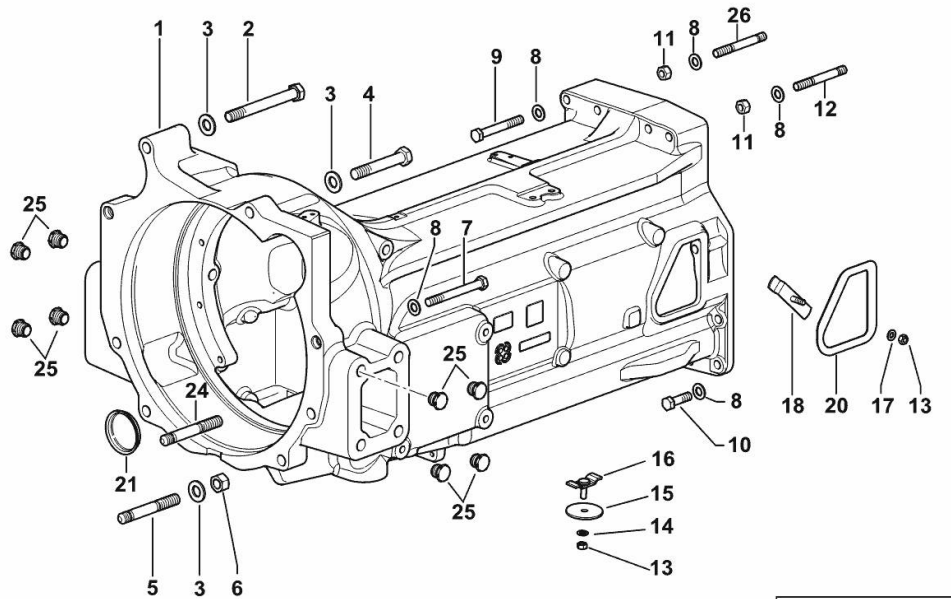
9\_R1456\_00\_0-A-001

**JUNCTION CASE**

Fig.	P/n	QTY	Name
------	-----	-----	------

**Notes:**

[XB 85 TB ->5001]



9\_H1452\_00\_0-A-002

1	0.014.9772.0/60	1	clutch housing
2	2.0113.637.2	1	screw m 16 p.2x140
3	2.1475.006.2	6	spring washer 16
4	2.0113.629.2	1	screw m 16 p.2x100
5	2.0433.425.7	2	stud bolt m 16 p.1.5 x 100
6	2.1012.409.7	5	nut m 16
7	2.0113.431.2	2	screw m 12 p.1.75 x 110
8	2.1475.004.2	15	spring washer 12
9	2.0112.427.2	5	screw m 12 p.1.75 x 90
10	2.0112.415.2	5	screw m 12 p.1.75 x 40
11	2.1011.107.2	3	nut m 12 p.1.75
12	2.0422.422.7	2	stud bolt m 12 p.1.75x85
13	2.1011.105.2	2	nut m 8 p.1.25
14	2.1475.002.2	1	conical washer 8
15	0.007.3546.0	1	plug
16	0.007.3545.2	1	bracket
17	2.1310.004.2	1	flat washer 8.4x17
18	0.007.3565.2	1	bracket
20	0.007.3564.0	1	gasket
21	0.015.0442.0	1	ring Ø 62
24	2.0443.423.7	2	stud bolt m 16 p.1.5x90
25	2.3199.363.0	8	plug m 20 p.2.5
26	2.0422.425.7	1	stud bolt m 12 p.1.75x100

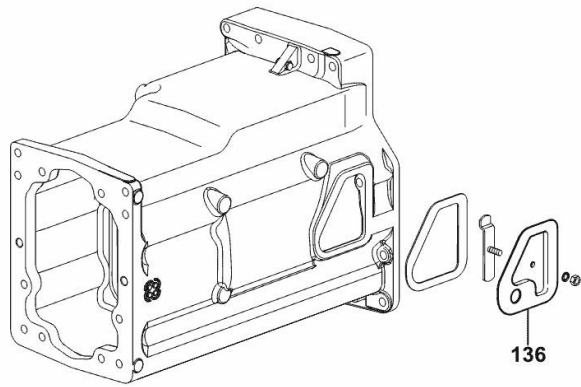
**CLOSING COVER WITH 5-SPEED GEARBOX**

Fig.	P/n	QTY	Name
------	-----	-----	------

**Notes:**

- FOR TYPES WITH HI - LO [XB 85 TB ->5001]

136	0.007.3563.3/10	1	cover
-----	-----------------	---	-------



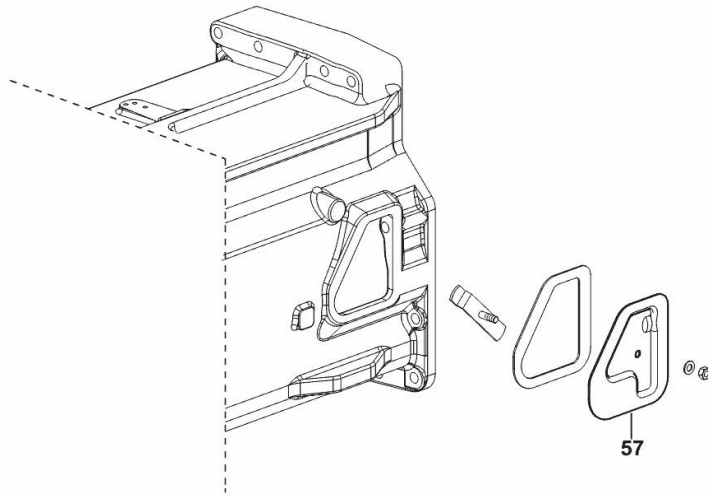
9\_H1433\_00\_0-H-001

**CLOSING COVER WITH 5-SPEED GEARBOX**

Fig.	P/n	QTY	Name
------	-----	-----	------

Notes:  
[XB 85 TB ->5001]

57	0.007.3562.3/10	1	cover
----	-----------------	---	-------



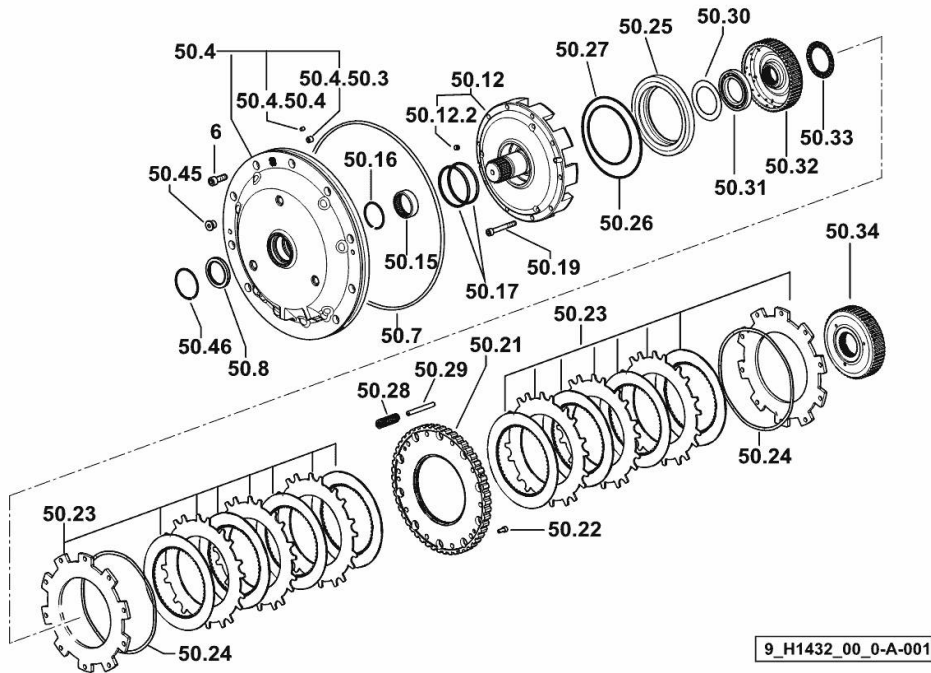
9\_H1433\_01\_0-G-001

Section: D0 - TRANSMISSION  
**HYDRAULIC SHUTTLE**

Fig.	P/n	QTY	Name
------	-----	-----	------

Notes:  
[XB 85 TB ->5001]

6	2.0312.310.2	9	screw m 10 p.1.5 x 30
50.4	0.013.9374.3/70	1	cover
50.4.50.3	2.0512.303.2	4	grub screw m 10 p 1.5 x 10
50.4.50.4	2.0512.102.7	2	screw m 6 p.1 x 8
50.7	2.1539.228.0/10	1	oil seal
50.8	2.1529.166.0	1	oil seal
50.12	0.013.5434.3/60	1	drum
50.12.2	2.0512.202.7	2	screw m 8 p.1.25 x 8
50.15	2.2725.050.0	1	roller cage
50.16	2.1423.039.7	1	circlip
50.17	2.1499.254.0/10	4	ring 82
50.19	2.0312.219.2	10	screw m 8 p.1.25x65
50.21	0.012.9724.0/50	1	ring
50.22	2.0312.103.2	2	screw m 6 p.1 x 14
50.23	0.013.2921.3/30	2	clutch plate
50.24	2.4099.517.0	8	spring
50.25	0.012.9746.0/30	2	piston
50.26	2.1539.236.0	2	oil seal
50.27	2.1539.230.0/10	2	oil seal
50.28	2.4019.784.1	10	spring 3.6x16x62.5
50.29	2.1659.522.0	10	pin
50.30	2.1499.210.0	1	spring
50.31	2.2020.009.0	1	ball bearing
50.32	0.013.5485.0/40	1	hub
50.33	2.2999.228.0	1	roller cage 50x70x3
50.34	0.013.5484.0/30	1	hub
50.45	2.3120.009.4	3	plug m 14 p.1.5
50.46	2.1423.044.7	1	circlip

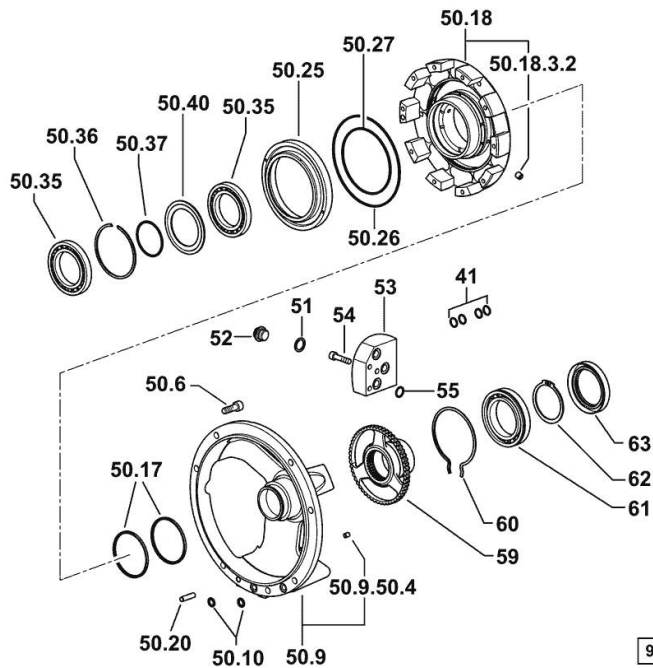


Section: D0 - TRANSMISSION  
**HYDRAULIC SHUTTLE**

Fig.	P/n	QTY	Name
------	-----	-----	------

Notes:  
 [XB 85 TB ->5001]

41	2.1532.035.0	12	oil seal 14x1.78
50.6	2.0312.310.2	7	screw m 10 p.1.5 x 30
50.9	0.013.9197.3/70	1	support
50.9.50.4	2.0512.102.7	4	screw m 6 p.1 x 8
50.10	2.1532.024.0	2	oil seal 10.77x2.62
50.17	2.1499.254.0/10	4	ring 82
50.18	0.013.5435.3/40	1	hub
50.18.3.2	2.0512.202.7	2	screw m 8 p.1.25 x 8
50.20	2.1655.410.0	2	pin 8x32
50.25	0.012.9746.0/30	2	piston
50.26	2.1539.236.0	2	oil seal
50.27	2.1539.230.0/10	2	oil seal
50.35	2.2020.011.0	2	bearing
50.36	2.1429.069.7	1	circlip
50.37	2.1422.037.7	1	circlip 60x1.5
50.40	0.013.5355.0	1	spacer Ø 67 - Ø 94.8
51	2.1560.014.0	1	washer 18.2 x 24
52	2.3110.405.2	1	plug m 18 p.1.5 x 15
53	0.014.9807.0	1	small block
54	2.0312.212.2	3	screw m 8 p.1.25 x 35
55	2.1539.142.0	3	special oil seal 15.54x2.62
59	0.014.9596.0	1	gear wheel
60	2.1499.242.7	1	circlip
61	2.2044.010.0	1	ball bearing
62	2.1410.026.7	1	circlip 65
63	2.1529.024.0	1	special oil seal 65x90x13



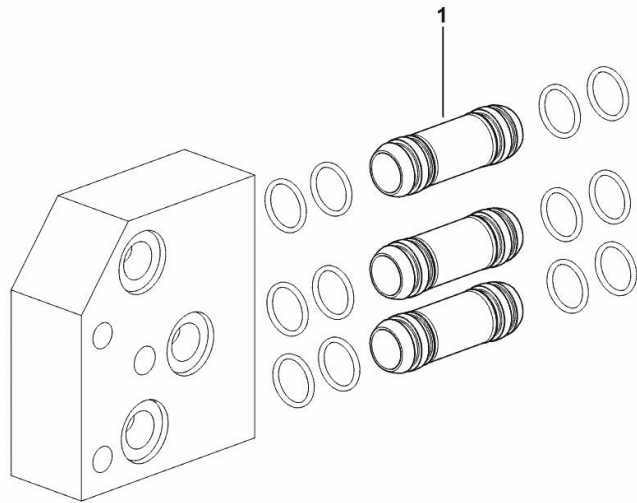
**HYDRAULIC SHUTTLE SUPPLY PIPE WITH 5-SPEED TRANSMISSION**

<b>Fig.</b>	<b>P/n</b>	<b>QTY</b>	<b>Name</b>
-------------	------------	------------	-------------

**Notes:**

[XB 85 TB ->5001]

1	0.014.9808.0	3	tube
---	--------------	---	------



9\_H1432\_01\_0-A-001

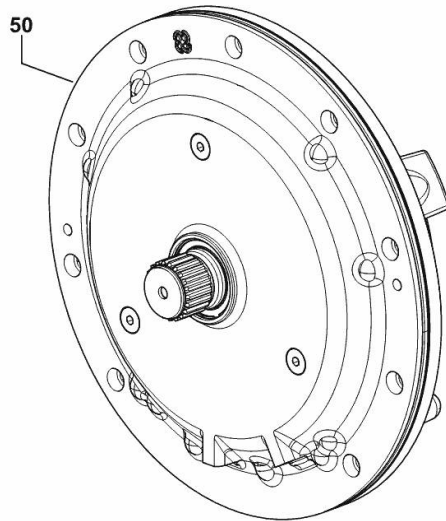
**HYDRAULIC SHUTTLE - KPL.**

Fig.	P/n	QTY	Name
------	-----	-----	------

**Notes:**

[XB 85 TB ->5001]

50	0.018.7825.4/20	1	shuttle kpl.
----	-----------------	---	--------------



9\_H1432\_00\_0-F-001



**Suggest:**

**For more complete manuals. Please go to the home page.**

**<https://www.ebooklibonline.com>**

**If the above button click is invalid. Please download this document first, and then click the above link to download the complete manual.**

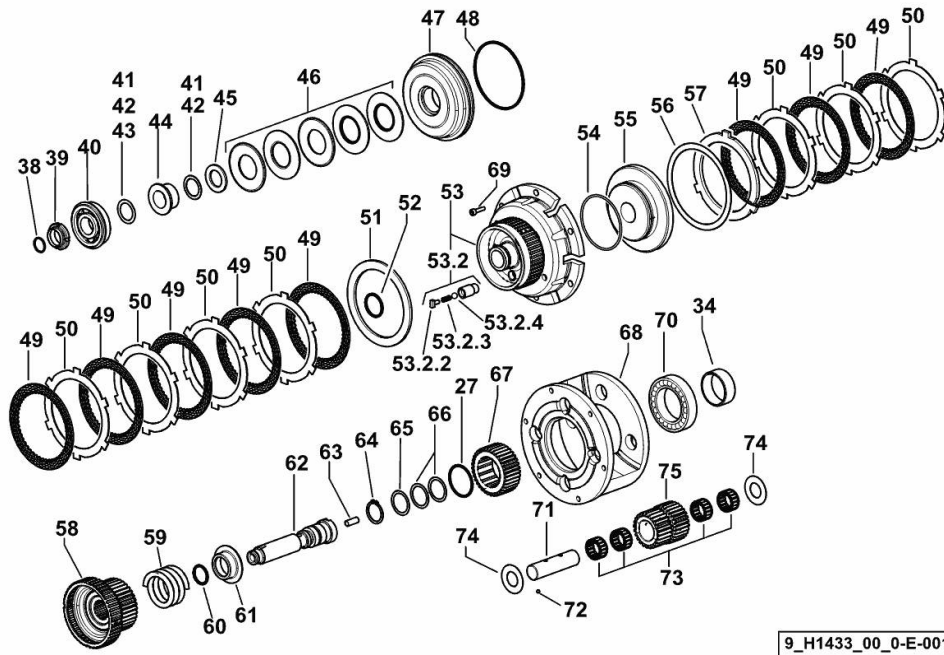
**Thank you so much for reading**

**CLUTCHES ASSEMBLY WITH 5-SPEED GEARBOX**

Fig.	P/n	QTY	Name
------	-----	-----	------

**Notes:**

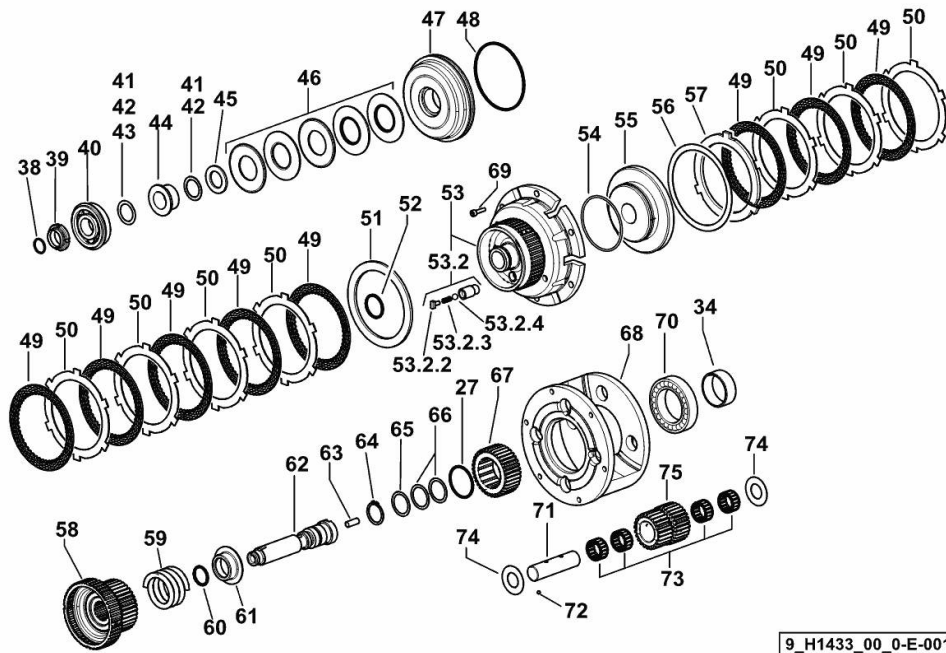
- FOR TYPES WITH HI - LO [XB 85 TB ->5001]



27	2.1499.153.7	7	circlip 41 x 1.5
34	2.1559.333.0	2	special bushing 44.7 x 50 x 19
38	2.1499.089.0	1	ring 20
39	2.1214.006.7	1	ring nut m 25 p.1.5
40	2.2062.007.0	1	ball bearing 25 x 62 x 17
41	2.1580.140.0	6	shim 25.5 x 35 x 0.5
42	2.1580.139.0	3	shim 25.5 x 35 x 0.2
43	2.1580.138.0	1	shim 25.5 x 35 x 0.15
44	2.1559.215.0	1	special bushing 25 x 35.5 x 18
45	2.1599.570.0	1	shim 25.2 x 40 x 3
46	2.1499.076.0/10	5	spring 36
47	0.007.3419.0/20	1	piston
48	2.1539.098.0	1	special oil seal 94.92 x 2.62
49	0.255.3970.2/10	8	disc
50	0.013.9453.0	7	disc mm 1.75
51	2.1599.569.0	1	shim 99.5 x 125 x 4.0
52	2.1539.095.0	1	oil seal 29.82 x 2.62
53	0.014.9615.4/10	1	box
53.2	0.007.3557.3	2	valve
53.2.2	0.007.3558.0	1	ferrule
53.2.3	2.4019.408.1	1	spring
53.2.4	2.2810.003.0	1	ball mm 7.144
54	2.1539.097.0	1	special oil seal 75.87 x 2.62
55	0.007.3420.0/10	1	piston
56	2.1599.499.0	1	shoulder ring 110 x 126.5 x 1.2
57	0.255.3969.0/10	1	disc
58	0.014.9453.3	1	gear
59	2.4019.425.1	1	spring
60	2.1539.096.0	1	special oil seal
61	0.007.3445.0	1	cup
62	0.007.3446.0/40	1	pin
63	0.007.3454.0	1	tube
64	2.1410.011.1	1	circlip 28
65	2.1580.113.0	1	shim mm 0.50
66	2.1580.117.0	2	shim mm 0.20
67	0.014.9452.0	1	gear
68	0.014.9652.0	1	spider
69	2.0132.006.2	6	screw m 8 p.1.25 x 20
70	2.2030.011.0	1	ball bearing 50 x 80 x 16
71	0.014.9695.0/10	4	pin
72	2.2819.003.0	4	ball 4.5

**CLUTCHES ASSEMBLY WITH 5-SPEED GEARBOX**

Fig.	P/n	QTY	Name
73	2.2770.174.0	16	roller cage
74	2.1589.552.0	8	shoulder 22x42x1
75	0.014.9705.3	1	planet gear n. 4



**<https://www.ebooklibonline.com>**

Hello dear friend!

Thank you very much for reading.

Enter the link into your browser.

The full manual is available for immediate download.

**<https://www.ebooklibonline.com>**