

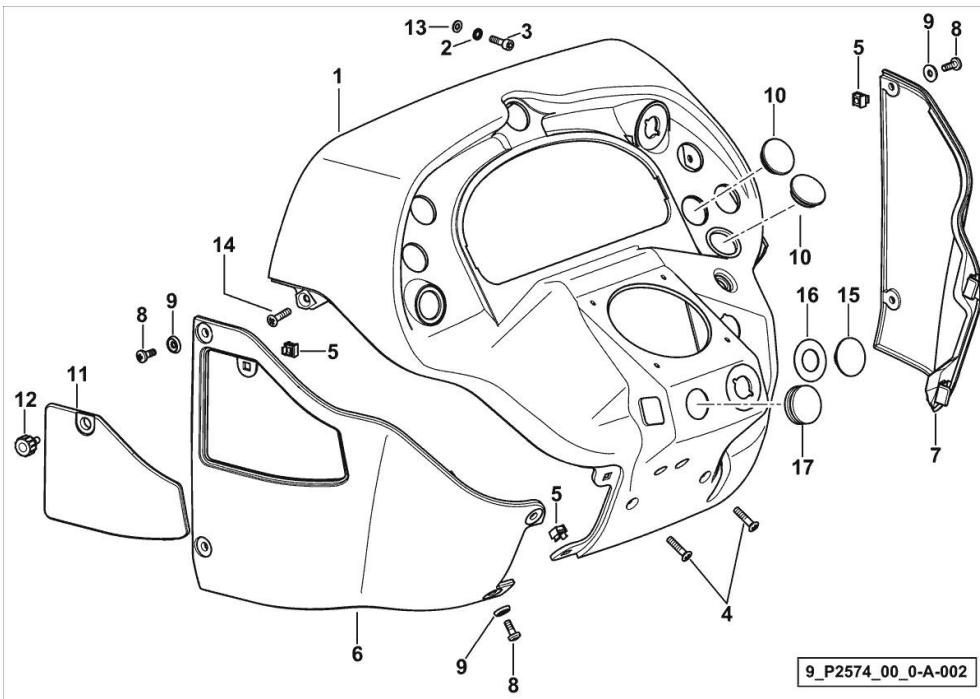
**DASHBOARD**

Fig.	P/n	QTY	Name
------	-----	-----	------

**Notes:**

[XB 85 TB ->1001] 1001 <-

1	0.016.3901.0/10	1	dashboard
2	2.1472.003.2	2	spring washer 6, d128
3	2.0312.106.2	2	screw m 6 p.1 x 20
4	2.0322.408.6	2	screw m 6 x 25
5	2.6999.024.2	7	special nut m 6
6	0.016.1485.0	1	shield sx/lb/li
7	0.016.3900.0	1	shield dx/rh/re
8	2.0332.406.3	4	screw m 6 p.1.0 x 16
9	0.9125.662.0	4	washer 6.4 x 12.5
10	0.015.0457.0/10	4	plug
11	0.016.3899.0	1	shield
12	0.014.8187.0	1	knob
13	2.1310.002.2	2	flat washer 6.4x12.5
14	2.0322.407.6	2	screw m 6 x 20
15	2.3199.371.0	1	plug
16	2.1589.552.0	1	shoulder 22x42x1
17	2.3199.115.0	1	plug 30x38x12



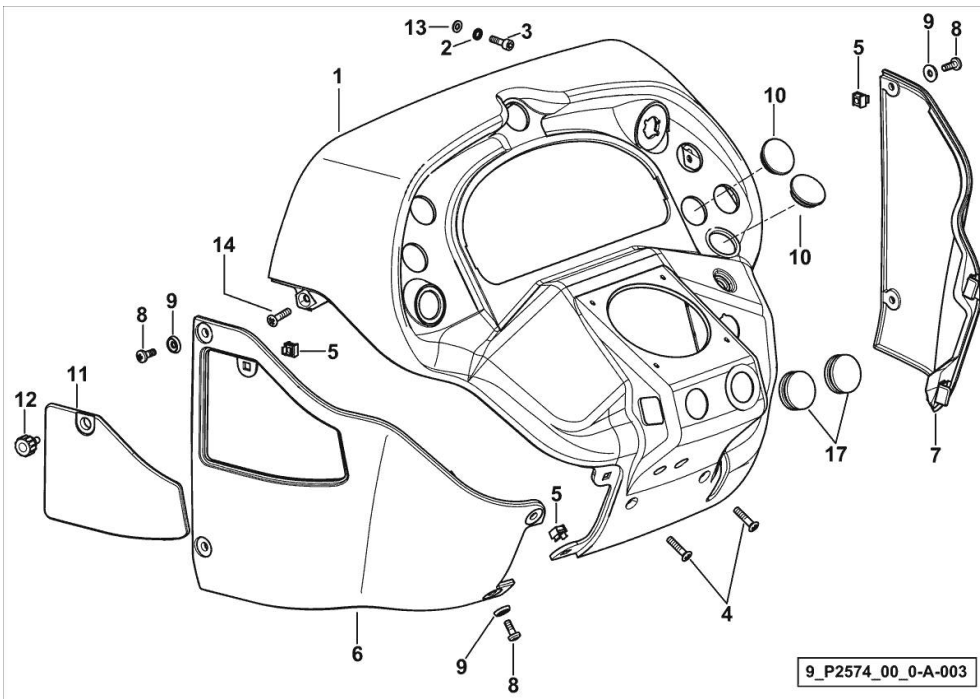
**DASHBOARD**

Fig.	P/n	QTY	Name
------	-----	-----	------

**Notes:**

[XB 85 TB ->1001]

1	0.016.3901.0/20	1	dashboard
2	2.1472.003.2	2	spring washer 6, d128
3	2.0312.106.2	2	screw m 6 p.1 x 20
4	2.0322.408.6	2	screw m 6 x 25
5	2.6999.024.2	7	special nut m 6
6	0.016.1485.0	1	shield sx/lb/li
7	0.016.3900.0	1	shield dx/rh/re
8	2.0332.406.3	6	screw m 6 p.1.0 x 16
9	0.9125.662.0	6	washer 6.4 x 12.5
10	0.015.0457.0/10	4	plug
11	0.016.3899.0	1	shield
12	0.014.8187.0	1	knob
13	2.1310.002.2	2	flat washer 6.4x12.5
14	2.0322.407.6	2	screw m 6 x 20
17	2.3199.115.0	2	plug 30x38x12



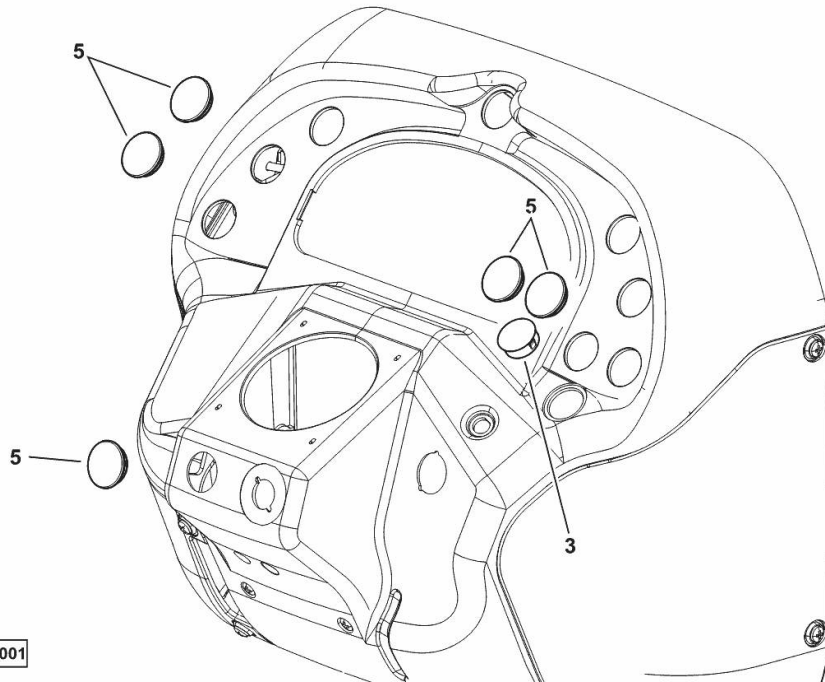
**PLUGS**

Fig.	P/n	QTY	Name
------	-----	-----	------

**Notes:**

[XB 85 TB ->1001]

3	0.011.6915.0	1	plug 27.8-28.6/30.9
5	0.015.0457.0/10	5	plug



9\_R1584\_00\_0-H-001

**<https://www.ebooklibonline.com>**

Hello dear friend!

Thank you very much for reading.

Enter the link into your browser.

The full manual is available for immediate download.

**<https://www.ebooklibonline.com>**

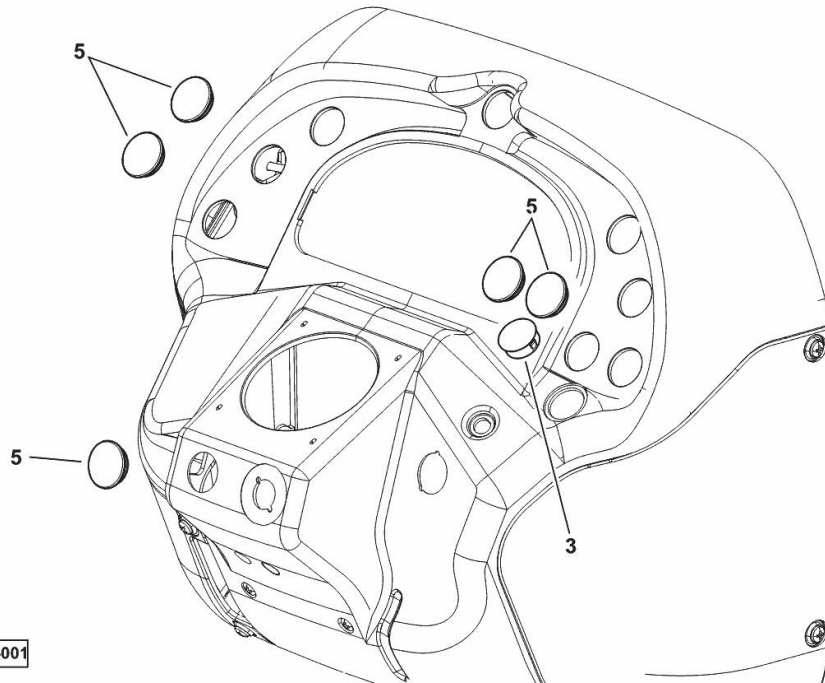
**PLUGS**

Fig.	P/n	QTY	Name
------	-----	-----	------

**Notes:**

- EXPORT U.S.A. [XB 85 TB ->1001]

3	0.011.6915.0	1	plug 27.8-28.6/30.9
5	0.015.0457.0/10	5	plug



9\_R1584\_01\_0-H-001

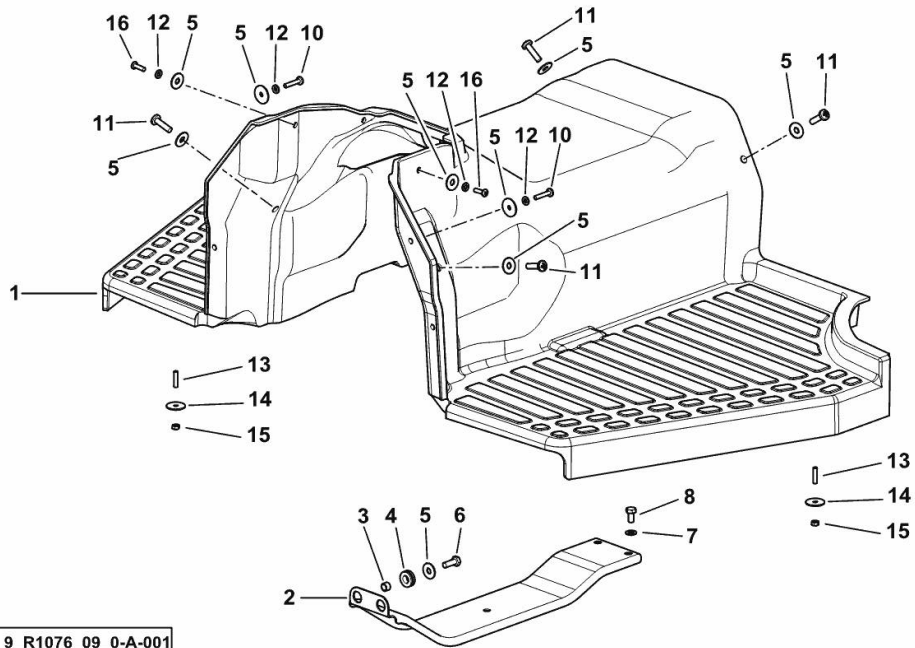
**TUNNEL CLADDING**

Fig.	P/n	QTY	Name
------	-----	-----	------

**Notes:**

[XB 85 TB ->1001]

1	0.016.8044.2/10	1	mat
2	0.016.8043.3	1	brace
3	2.1579.772.2	2	spacer 9x12x7.5
4	2.6560.006.0	2	wire guide 12x1.5
5	2.1312.004.2	14	washer 8x24x2
6	2.0112.208.2	2	screw m 8 p.1.25 x 22
7	2.1310.004.2	2	flat washer 8.4x17
8	2.0112.205.2	2	screw m 8 p.1.25 x 16
10	2.0332.409.6	4	screw m 6 p.1x30
11	2.0332.509.6	4	screw
12	2.1310.002.3	8	flat washer 6.4 x 12 x 1.6
13	2.0422.001.2	10	stud bolt m 6 p.1.0 x 16
14	2.1599.545.2	10	washer 6.5x28x2
15	2.1011.103.2	10	nut m 6 p.1
16	2.0332.407.3	4	screw m 6 x 20



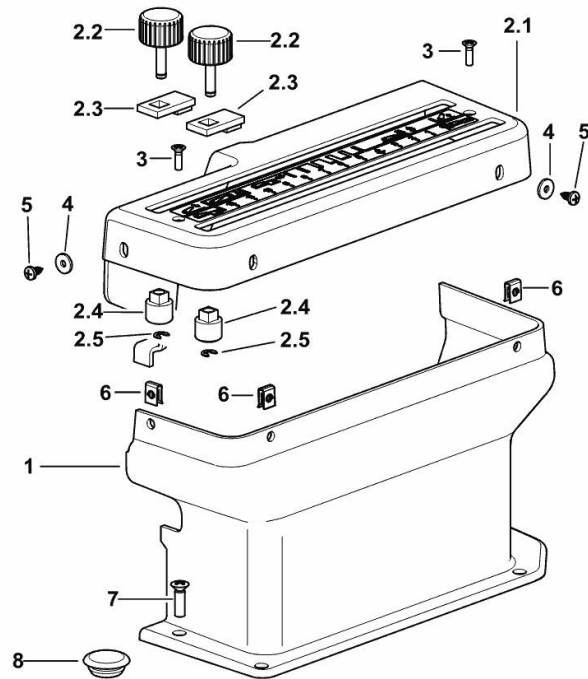
**CONTROL CONSOLE FOR POWER-LIFT**

Fig.	P/n	QTY	Name
------	-----	-----	------

**Notes:**

[XB 85 TB ->1001]

1	0.016.9026.0	1	console
2.1	0.016.9027.0	1	cover
2.2	0.007.6770.3/10	2	knob
2.3	0.9107.668.0	2	stop
2.4	0.016.9029.0	2	small block
2.5	2.1430.005.7	2	circlip 4
3	2.0322.205.3	2	screw
4	2.1312.001.3	3	washer 4
5	2.0350.405.3	3	screw m 4.2 x 16
6	2.6999.022.0	3	clip
7	2.0322.407.3	4	screw m 6 p.1 x 20
8	2.6070.050.0	1	plug Ø 20



9\_P9759\_52\_0-A-001

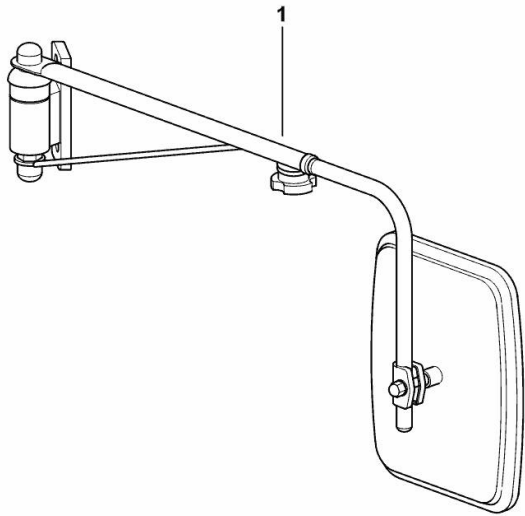
**REARVIEW MIRROR - SX/LH/LI**

Fig.	P/n	QTY	Name
------	-----	-----	------

**Notes:**

[XB 85 TB ->1001]

1	0.010.1604.4/40	1	rear view mirror sx/lh/li ☞ 0.010.1604.4/40
---	-----------------	---	--



9\_20176\_65\_0-A-001

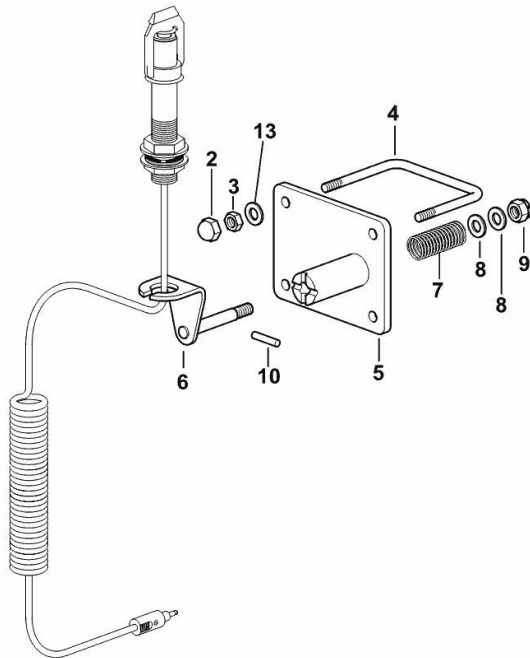
**PREARRANGEMENT FOR WARNING BEACON**

Fig.	P/n	QTY	Name
------	-----	-----	------

**Notes:**

[XB 85 TB ->1001]

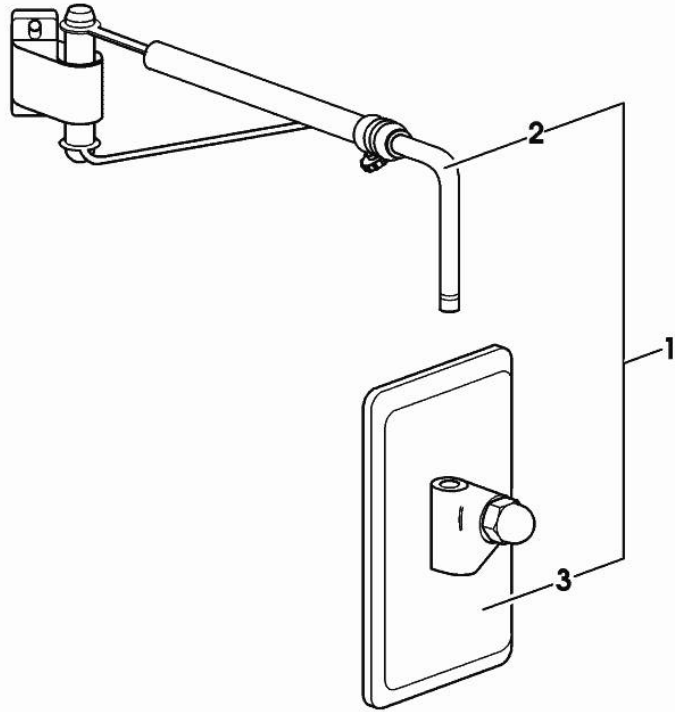
2	0.163.7856.0	4	cap
3	2.1011.105.2	4	nut m 8 p.1.25
4	0.014.0116.0	2	u bolt
5	0.014.0487.2/10	1	support
6	0.014.0492.2/10	1	support
7	2.4019.611.2	1	spring
8	2.1310.006.2	2	flat washer 10.5x21
9	2.1120.006.2	1	nut m 10 p.1.5
10	2.1651.312.2	1	pin 4x28
13	2.1310.004.2	4	flat washer 8.4x17



9\_20176\_65\_0-B-001

**REARVIEW MIRROR**

Fig.	P/n	QTY	Name
1	0.010.1604.4/40	1	rear view mirror sx/lh/li
2	0.010.3096.2	1	rod
3	0.9233.183.3	1	rear view mirror



0\_010\_1604\_4\_40



**Suggest:**

**For more complete manuals. Please go to the home page.**

**<https://www.ebooklibonline.com>**

**If the above button click is invalid. Please download this document first, and then click the above link to download the complete manual.**

**Thank you so much for reading**

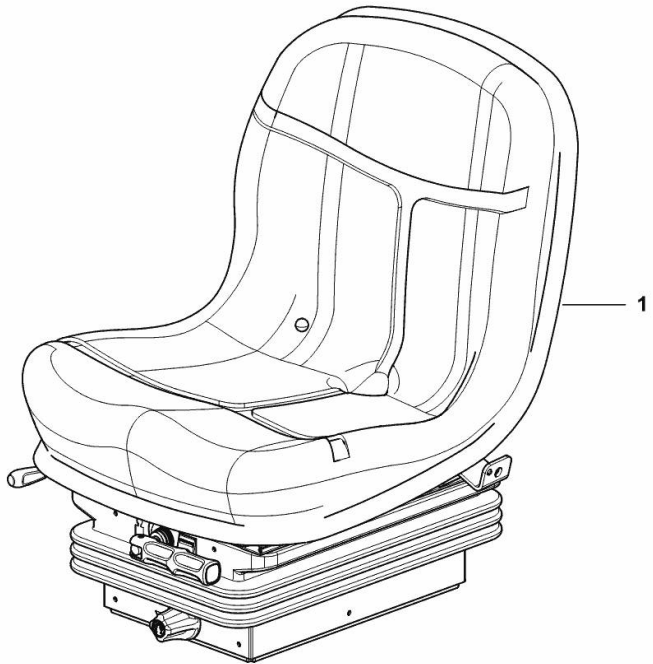
**DRIVER'S SEAT COBO**

Fig.	P/n	QTY	Name
------	-----	-----	------

**Notes:**

[XB 85 TB ->1001]

1	0.017.1381.4/20	1	driver's seat COBO ☞ 0.017.1381.4/20 ☞ 0.017.1381.4/20
---	-----------------	---	--



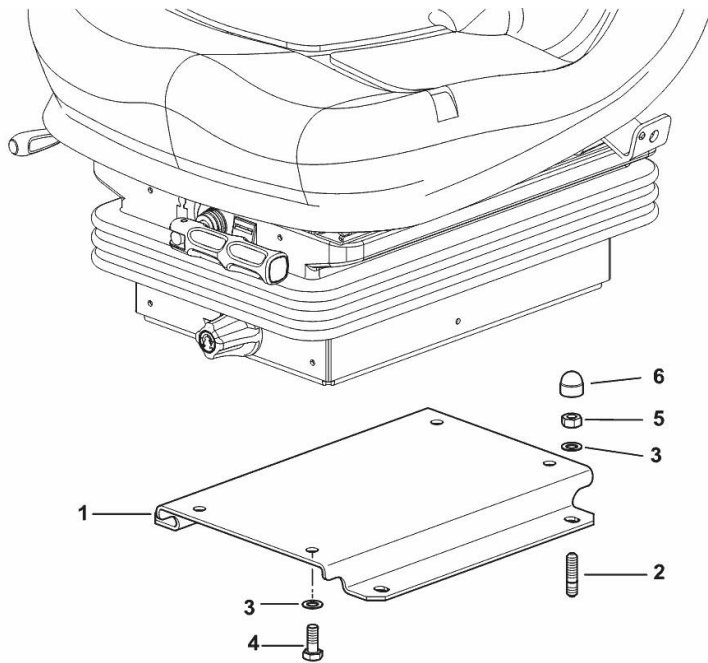
9\_R0675\_01\_0-A-001

Section: G0 - BODYWORK - CAB  
**SEAT SUPPORT BRACKET**

Fig.	P/n	QTY	Name
------	-----	-----	------

**Notes:**  
 [XB 85 TB ->1001]

1	0.017.0837.0	1	bracket
2	2.0439.060.2	4	stud bolt m 8 p.1.25-1x22
3	2.1310.004.2	8	flat washer 8.4x17
4	2.0112.209.2	4	screw m 8 p 1.25 x 25
5	2.1011.405.2	4	nut m 8 p.1
6	0.163.7856.0	4	cap



9\_R0675\_00\_0-A-001

**<https://www.ebooklibonline.com>**

Hello dear friend!

Thank you very much for reading.

Enter the link into your browser.

The full manual is available for immediate download.

**<https://www.ebooklibonline.com>**