

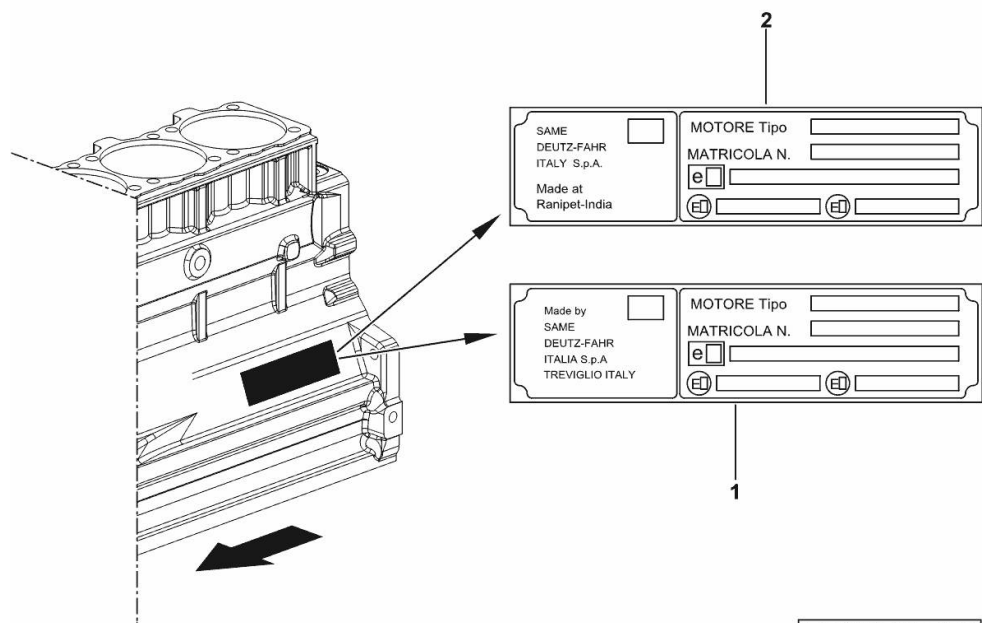
ENGINE TYPE-APPROVAL DATA PLATE

| Fig. | P/n | QTY | Name |
|------|-----|-----|------|
|------|-----|-----|------|

Notes:

[XA 70 TRADITION -> 10001]

| | | | |
|---|--------------|--|---|
| 1 | 0.000.0000.1 | | cannot be supplied MADE BY TREVIGLIO ITALY |
| 2 | 0.000.0000.1 | | cannot be supplied MADE AT RANIPET - INDIA |



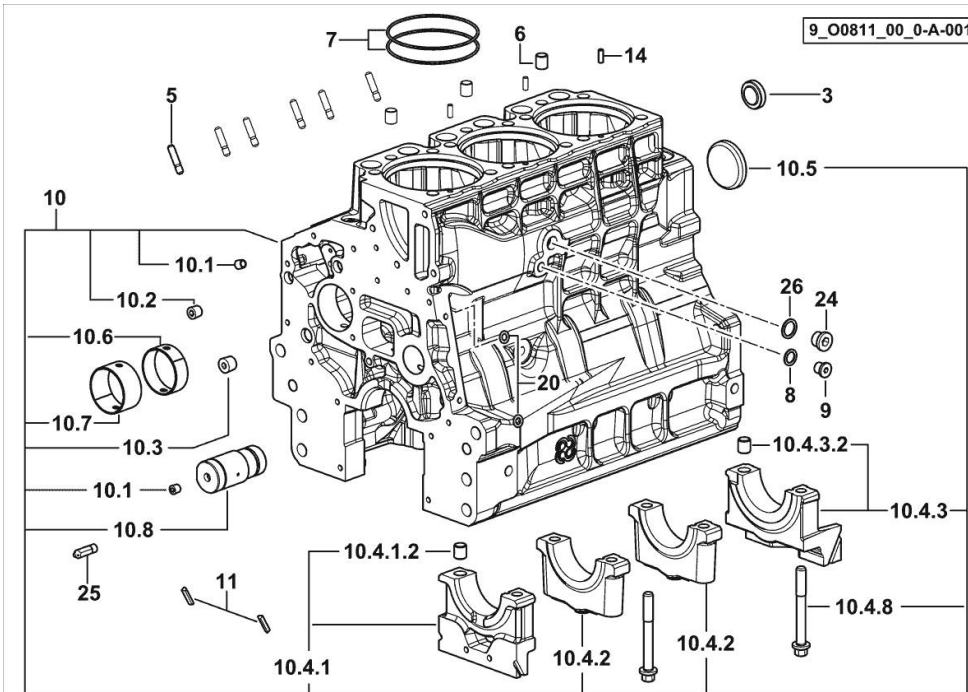
9_STA000_00_0-A-001

CRANKCASE

| Fig. | P/n | QTY | Name |
|------|-----|-----|------|
|------|-----|-----|------|

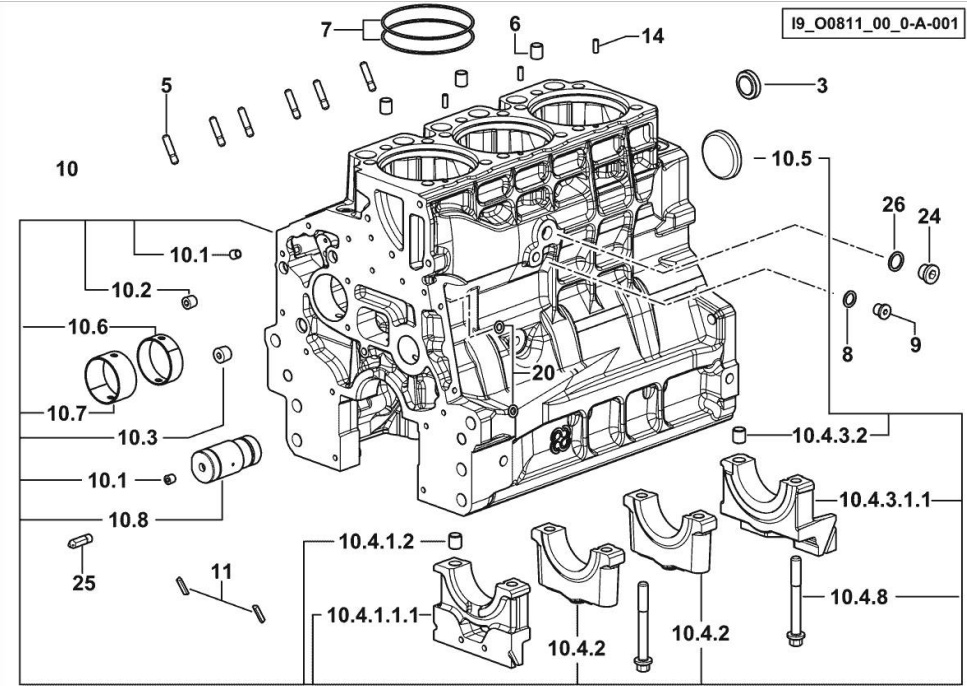
Notes:

FOR ENGINES PRODUCED IN : TREVIGLIO ITALY [XA 70 TRADITION -> 10001]



| | | | |
|----------|-----------------|----|------------------------------|
| 3 | 2.3199.312.2/20 | 1 | plug m 35x1.5x9.5 |
| 5 | 2.0439.279.7 | 6 | stud bolt m 8 p.1 x 25 |
| 6 | 2.1559.188.2 | 3 | bush 11.4 x 14 x16 |
| 7 | 2.1539.259.0 | 6 | special oil seal 107.62x2.62 |
| 8 | 2.1560.010.0 | 1 | gasket 14.2 x 20 |
| 9 | 2.3199.292.0 | 1 | plug 1/4" gas |
| 10 | 0.014.9911.4/30 | 1 | crankcase |
| 10.1 | 2.3130.001.1 | 12 | plug 1/8" gas |
| 10.2 | 2.3130.002.1 | 4 | plug 1/4" gas |
| 10.3 | 2.3130.003.1 | 2 | plug 3/8" gas |
| 10.4.1 | 0.065.1112.3 | 1 | support |
| 10.4.1.2 | 2.1699.165.0 | 1 | bush 12.3x15x16 |
| 10.4.2 | 0.065.1114.0/10 | 2 | support |
| 10.4.3 | 0.065.1116.3 | 1 | support |
| 10.4.3.2 | 2.1699.165.0 | 1 | bush 12.3x15x16 |
| 10.4.8 | 0.065.1117.0 | 8 | screw m 12 x 100 |
| 10.5 | 2.3179.012.0 | 1 | plug 60 |
| 10.6 | 0.065.1140.0 | 3 | special bushing 59X55X20 |
| 10.7 | 0.065.1141.0 | 1 | special bushing 59X55X30 |
| 10.8 | 0.014.1340.0/10 | 1 | pin mm 85 |
| 11 | 0.066.1152.0/10 | 4 | gasket |
| 14 | 2.1549.154.2 | 3 | bush 4.8x5.8x16 |
| 20 | 2.1470.004.2 | 4 | lock washer 8 |
| 24 | 2.3120.101.0 | 1 | plug m 18 p.1.5 |
| 25 | 0.013.4946.0/10 | 1 | sprayer nozzle |
| 26 | 2.1560.014.0 | 1 | washer 18.2 x 24 |

Section: B0 - ENGINE
CRANKCASE



| Fig. | P/n | QTY | Name |
|------|-----|-----|------|
|------|-----|-----|------|

Notes:
 FOR ENGINES PRODUCED IN : RANIPET - INDIA [XA 70 TRADITION -> 10001]

| | | | |
|----------|-----------------|----|------------------------------|
| 3 | 2.3199.312.2/20 | 1 | plug m 35x1.5x9.5 |
| 5 | 2.0439.279.7 | 6 | stud bolt m 8 p.1 x 25 |
| 6 | 2.1559.188.2 | 3 | bush 11.4 x 14 x16 |
| 7 | 2.1539.259.0 | 6 | special oil seal 107.62x2.62 |
| 8 | 2.1560.010.0 | 1 | gasket 14.2 x 20 |
| 9 | 2.3199.292.0 | 1 | plug 1/4" gas |
| 10 | 0.014.9911.4/30 | 1 | crankcase |
| 10.1 | 2.3130.001.1 | 12 | plug 1/8" gas |
| 10.2 | 2.3130.002.1 | 4 | plug 1/4" gas |
| 10.3 | 2.3130.003.1 | 2 | plug 3/8" gas |
| 10.4.1.1 | 0.065.1112.7/10 | 1 | support |
| 10.4.1.2 | 2.1699.165.0 | 1 | bush 12.3x15x16 |
| 10.4.2 | 0.065.1114.0/10 | 2 | support |
| 10.4.3.1 | 0.065.1116.7/10 | 1 | support |
| 10.4.3.2 | 2.1699.165.0 | 1 | bush 12.3x15x16 |
| 10.4.8 | 0.065.1117.0 | 8 | screw m 12 x 100 |
| 10.5 | 2.3179.012.0 | 1 | plug 60 |
| 10.6 | 0.065.1140.0 | 3 | special bushing 59X55X20 |
| 10.7 | 0.065.1141.0 | 1 | special bushing 59X55X30 |
| 10.8 | 0.014.1340.0/10 | 1 | pin mm 85 |
| 11 | 0.066.1152.0/10 | 4 | gasket |
| 14 | 2.1549.154.2 | 3 | bush 4.8x5.8x16 |
| 20 | 2.1470.004.2 | 4 | lock washer 8 |
| 24 | 2.3120.101.0 | 1 | plug m 18 p.1.5 |
| 25 | 0.013.4946.0/10 | 1 | sprayer nozzle |
| 26 | 2.1560.014.0 | 1 | washer 18.2 x 24 |

<https://www.ebooklibonline.com>

Hello dear friend!

Thank you very much for reading.

Enter the link into your browser.

The full manual is available for immediate download.

<https://www.ebooklibonline.com>

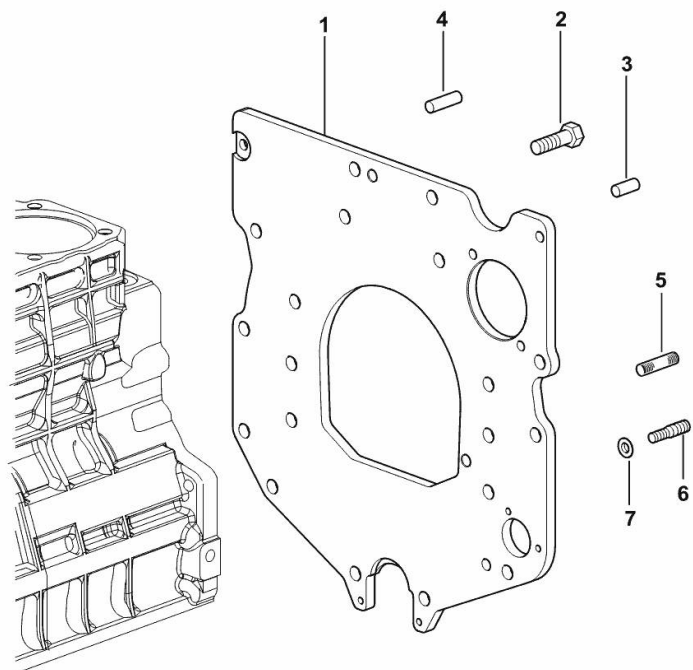
MONOBLOC ENGINE-GEARBOX CONNECTING FLANGE

| Fig. | P/n | QTY | Name |
|------|-----|-----|------|
|------|-----|-----|------|

Notes:

FOR ENGINES PRODUCED IN : TREVIGLIO ITALY [XA 70 TRADITION -> 10001]

| | | | |
|---|-----------------|---|-----------------------------------|
| 1 | 0.007.7752.0/30 | 1 | flange |
| 2 | 2.0112.511.2 | 8 | screw m 14 p.2 x 30 |
| 3 | 2.1651.912.0 | 2 | cylindrical plug 12x28 |
| 4 | 2.1651.917.0 | 1 | cylindrical plug 12x40 |
| 5 | 2.0432.257.7 | 1 | stud bolt m 12 p.1.75 - 1.25 x 30 |
| 6 | 2.0439.250.7 | 1 | stud bolt m 12 / m 10 x 30 |
| 7 | 0.011.9294.0/10 | 1 | bush |



9_37311_01_0-A-001

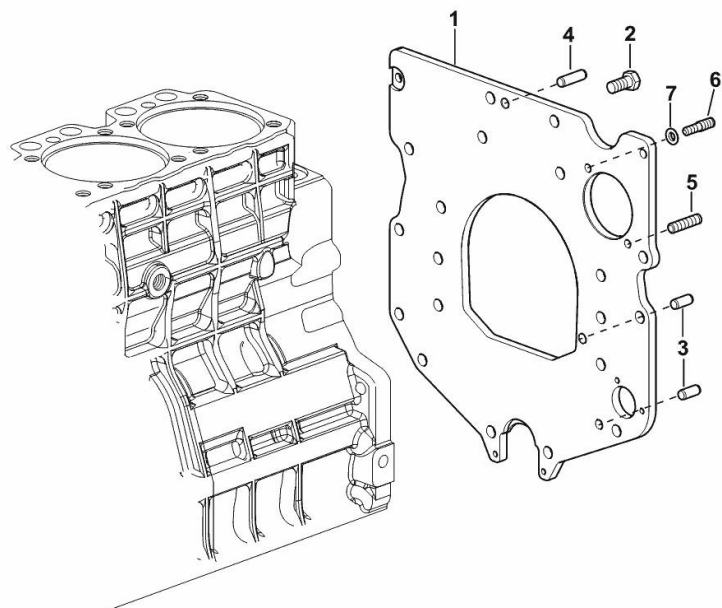
MONOBLOC ENGINE-GEARBOX CONNECTING FLANGE

| Fig. | P/n | QTY | Name |
|------|-----|-----|------|
|------|-----|-----|------|

Notes:

FOR ENGINES PRODUCED IN : RANIPET - INDIA [XA 70 TRADITION -> 10001]

| | | | |
|---|-----------------|---|-----------------------------------|
| 1 | 0.007.7752.0/30 | 1 | flange |
| 2 | 2.0112.511.2 | 8 | screw m 14 p.2 x 30 |
| 3 | 2.1651.912.0 | 2 | cylindrical plug 12x28 |
| 4 | 2.1651.917.0 | 1 | cylindrical plug 12x40 |
| 5 | 2.0432.257.7 | 1 | stud bolt m 12 p.1.75 - 1.25 x 30 |
| 6 | 2.0439.250.7 | 1 | stud bolt m 12 / m 10 x 30 |
| 7 | 0.011.9294.0/10 | 1 | bush |

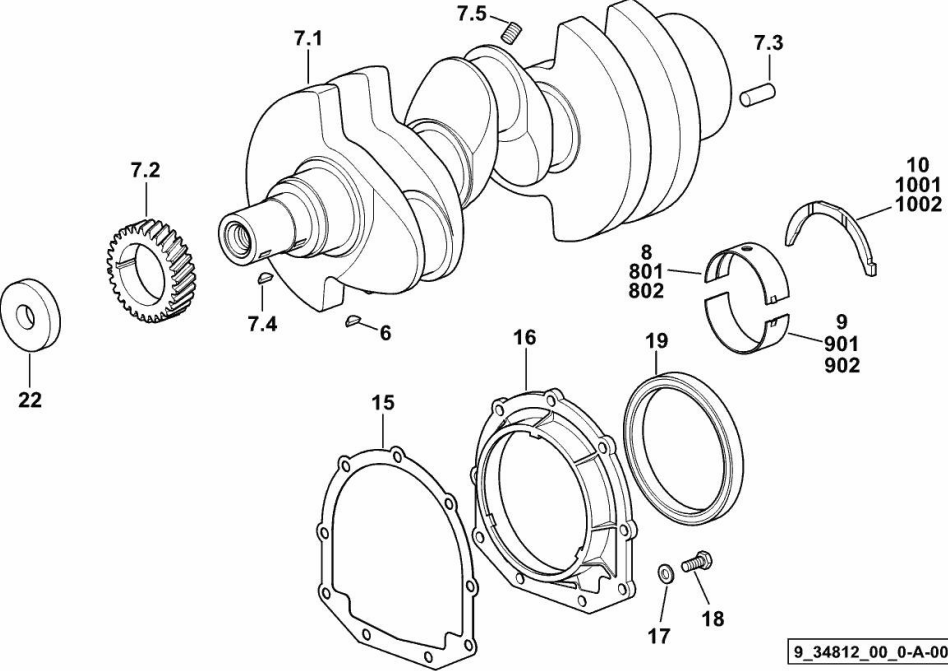


19_N8911_01_0-A-001

CRANKSHAFT

| Fig. | P/n | QTY | Name |
|------|-----|-----|------|
|------|-----|-----|------|

Notes:
 FOR ENGINES PRODUCED IN : TREVIGLIO ITALY [XA 70 TRADITION -> 10001] 25061 <-



| | | | |
|------|-----------------|---|-----------------------------|
| 6 | 2.1720.006.0 | 1 | key 4x6.5 |
| 7.1 | 0.007.1554.0/20 | 1 | crankshaft |
| 7.2 | 0.065.1323.0/30 | 1 | gear Z = 29 |
| 7.3 | 2.1651.915.0 | 1 | pin 12x35 |
| 7.4 | 2.1720.006.0 | 1 | key 4x6.5 |
| 7.5 | 2.3130.001.1 | 3 | plug 1/8" gas |
| 8 | 0.065.1215.0/10 | 4 | main half bushing STANDARD |
| 9 | 0.065.1216.0/10 | 4 | main half bushing STANDARD |
| 10 | 0.065.1218.0 | 4 | shim STANDARD |
| 15 | 0.065.1254.0/20 | 1 | gasket |
| 16 | 0.007.1711.0/10 | 1 | cover |
| 17 | 2.1475.002.2 | 9 | conical washer 8 |
| 18 | 2.0112.207.2 | 9 | screw m 8 p 1.25 x 20 |
| 19 | 2.1529.073.0 | 1 | special oil seal 110x130x13 |
| 22 | 2.1599.524.7 | 1 | washer 21x60x12 |
| 801 | 0.065.1215.7 | | main half bushing - mm 0.25 |
| 802 | 0.065.1215.8 | | main half bushing - mm 0.50 |
| 901 | 0.065.1216.7 | | main half bushing - mm 0.25 |
| 902 | 0.065.1216.8 | | main half bushing - mm 0.50 |
| 1001 | 0.065.1218.7 | | shim + mm 0.10 |
| 1002 | 0.065.1218.8 | | shim + mm 0.15 |

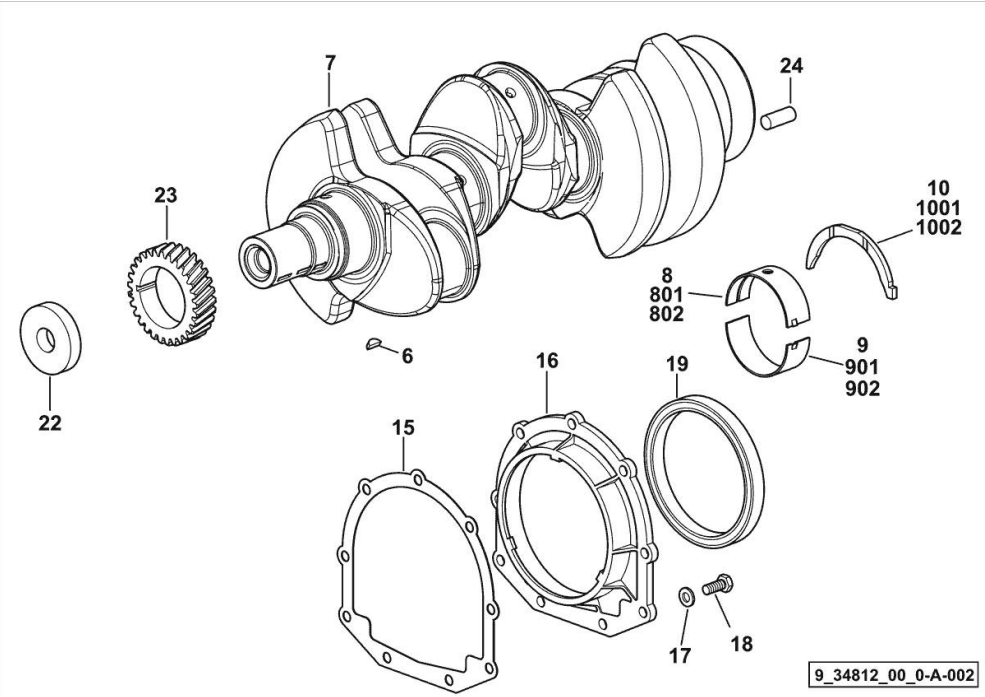
9_34812_00_0-A-001

CRANKSHAFT

| Fig. | P/n | QTY | Name |
|------|-----|-----|------|
|------|-----|-----|------|

Notes:
 FOR ENGINES PRODUCED IN : TREVIGLIO ITALY [XA 70 TRADITION -> 10001]

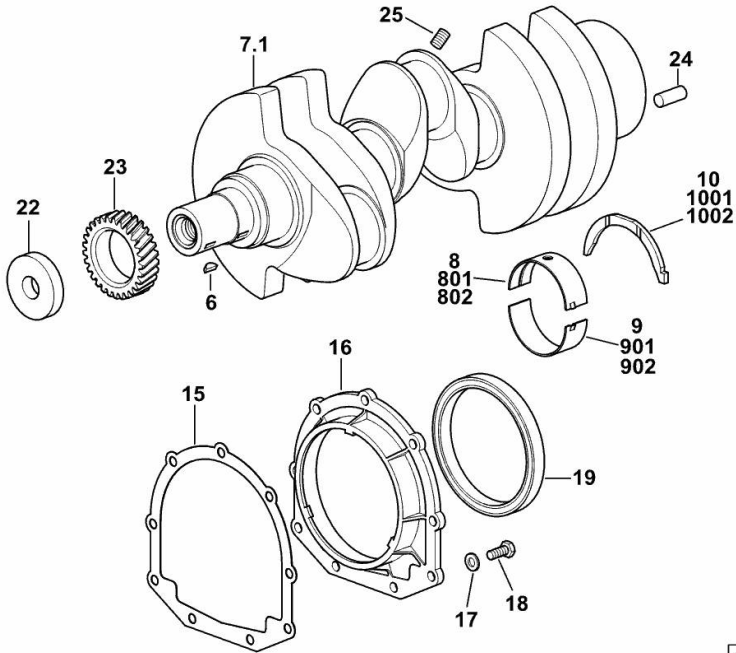
| | | | |
|------|-----------------|---|-----------------------------|
| 6 | 2.1720.006.0 | 1 | key 4x6.5 |
| 7 | 0.019.2255.0/20 | 1 | crankshaft |
| 8 | 0.019.5455.0 | 4 | main half bushing STANDARD |
| 9 | 0.019.5456.0 | 4 | main half bushing STANDARD |
| 10 | 0.065.1218.0 | 4 | shim STANDARD |
| 15 | 0.065.1254.0/20 | 1 | gasket |
| 16 | 0.007.1711.0/10 | 1 | cover |
| 17 | 2.1475.002.2 | 9 | conical washer 8 |
| 18 | 2.0112.207.2 | 9 | screw m 8 p 1.25 x 20 |
| 19 | 2.1529.073.0 | 1 | special oil seal 110x130x13 |
| 22 | 2.1599.524.7 | 1 | washer 21x60x12 |
| 23 | 0.065.1323.0/30 | 1 | gear Z = 29 |
| 24 | 2.1651.915.0 | 1 | pin 12x35 |
| 801 | 0.065.1215.7 | - | main half bushing - mm 0.25 |
| 802 | 0.065.1215.8 | - | main half bushing - mm 0.50 |
| 901 | 0.065.1216.7 | - | main half bushing - mm 0.25 |
| 902 | 0.065.1216.8 | - | main half bushing - mm 0.50 |
| 1001 | 0.065.1218.7 | - | shim + mm 0.10 |
| 1002 | 0.065.1218.8 | - | shim + mm 0.15 |



Section: B0 - ENGINE
CRANKSHAFT

| Fig. | P/n | QTY | Name |
|------|-----|-----|------|
|------|-----|-----|------|

Notes:
 FOR ENGINES PRODUCED IN : RANIPET - INDIA [XA 70 TRADITION -> 10001] 25061 <-



| | | | |
|------|-----------------|---|-----------------------------|
| 6 | 2.1720.006.0 | 1 | key 4x6.5 |
| 7.1 | 0.007.1554.0/20 | 1 | crankshaft |
| 8 | 0.065.1215.0/10 | 4 | main half bushing STANDARD |
| 9 | 0.065.1216.0/10 | 4 | main half bushing STANDARD |
| 10 | 0.065.1218.0 | 4 | shim STANDARD |
| 15 | 0.065.1254.0/20 | 1 | gasket |
| 16 | 0.007.1711.0/10 | 1 | cover |
| 17 | 2.1475.002.2 | 9 | conical washer 8 |
| 18 | 2.0112.207.2 | 9 | screw m 8 p 1.25 x 20 |
| 19 | 2.1529.073.0 | 1 | special oil seal 110x130x13 |
| 22 | 2.1599.524.7 | 1 | washer 21x60x12 |
| 23 | 0.065.1323.0/30 | 1 | gear Z = 29 |
| 24 | 2.1651.915.0 | 1 | pin 12x35 |
| 25 | 2.3130.001.1 | 3 | plug 1/8" gas |
| 801 | 0.065.1215.7 | | main half bushing - mm 0.25 |
| 802 | 0.065.1215.8 | | main half bushing - mm 0.50 |
| 901 | 0.065.1216.7 | | main half bushing - mm 0.25 |
| 902 | 0.065.1216.8 | | main half bushing - mm 0.50 |
| 1001 | 0.065.1218.7 | | shim + mm 0.10 |
| 1002 | 0.065.1218.8 | | shim + mm 0.15 |

19_O8312_00_0-A-001

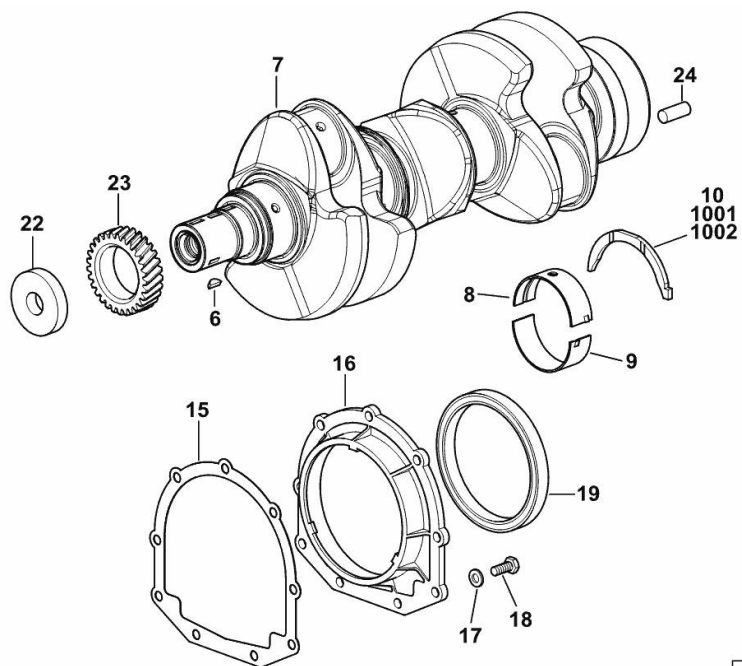
CRANKSHAFT

| Fig. | P/n | QTY | Name |
|------|-----|-----|------|
|------|-----|-----|------|

Notes:

FOR ENGINES PRODUCED IN : RANIPET - INDIA [XA 70 TRADITION -> 10001]

| | | | |
|------|-----------------|---|-----------------------------|
| 6 | 2.1720.006.0 | 1 | key 4x6.5 |
| 7 | 0.019.2255.0/30 | 1 | crankshaft |
| 8 | 0.019.5455.0 | 4 | main half bushing STANDARD |
| 9 | 0.019.5456.0 | 4 | main half bushing STANDARD |
| 10 | 0.065.1218.0 | 4 | shim STANDARD |
| 15 | 0.065.1254.0/20 | 1 | gasket |
| 16 | 0.007.1711.0/10 | 1 | cover |
| 17 | 2.1475.002.2 | 9 | conical washer 8 |
| 18 | 2.0112.207.2 | 9 | screw m 8 p 1.25 x 20 |
| 19 | 2.1529.073.0 | 1 | special oil seal 110x130x13 |
| 22 | 2.1599.524.7 | 1 | washer 21x60x12 |
| 23 | 0.065.1323.0/30 | 1 | gear Z = 29 |
| 24 | 2.1651.915.0 | 1 | pin 12x35 |
| 1001 | 0.065.1218.7 | | shim + mm 0.10 |
| 1002 | 0.065.1218.8 | | shim + mm 0.15 |



19_O8312_00_0-A-002

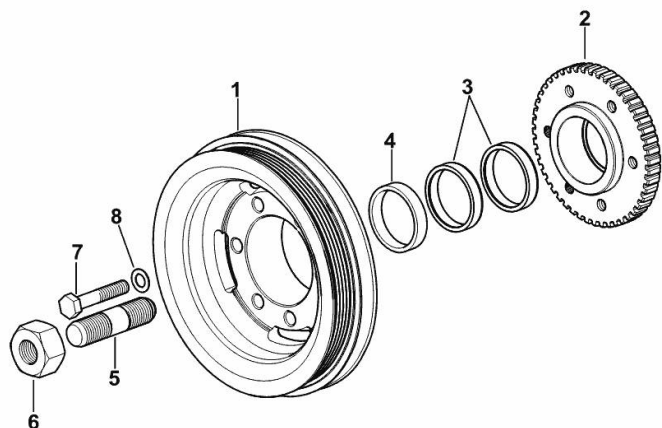
ENGINE CRANKSHAFT PULLEY WITH RING-FEEDER RINGS

| Fig. | P/n | QTY | Name |
|------|-----|-----|------|
|------|-----|-----|------|

Notes:

FOR ENGINES PRODUCED IN : TREVIGLIO ITALY [XA 70 TRADITION -> 10001]

| | | | |
|---|-----------------|---|-------------------------|
| 1 | 0.015.6055.0 | 1 | pulley |
| 2 | 0.011.3515.0/20 | 1 | hub Z = 48 |
| 3 | 0.065.1256.0 | 2 | ring 45x52 |
| 4 | 2.1579.865.0 | 1 | spacer 45.2x51.8x10 |
| 5 | 2.0439.195.7 | 1 | stud bolt m 20 p.1.5x80 |
| 6 | 2.1019.094.7 | 1 | nut m 20 p.1.5 |
| 7 | 2.0112.320.2 | 6 | screw m 10 p.1.5 x 55 |
| 8 | 2.1470.006.2 | 6 | lock washer 10 |



9_O6312_03_0-A-001

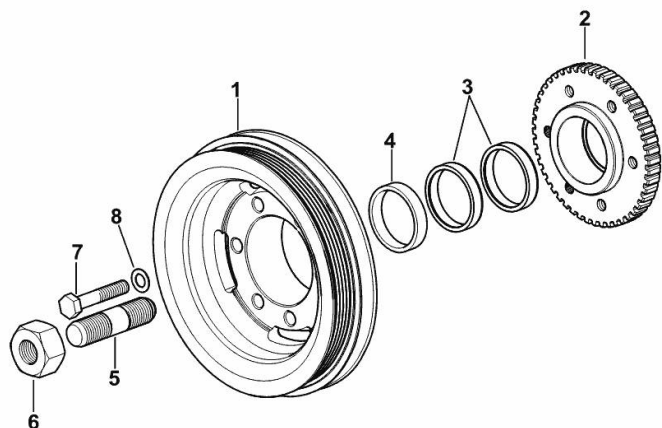
ENGINE CRANKSHAFT PULLEY WITH RING-FEEDER RINGS

| Fig. | P/n | QTY | Name |
|------|-----|-----|------|
|------|-----|-----|------|

Notes:

FOR ENGINES PRODUCED IN : RANIPET - INDIA [XA 70 TRADITION -> 10001]

| | | | |
|---|-----------------|---|-------------------------|
| 1 | 0.015.6055.0 | 1 | pulley |
| 2 | 0.011.3515.0/20 | 1 | hub Z = 48 |
| 3 | 0.065.1256.0 | 2 | ring 45x52 |
| 4 | 2.1579.865.0 | 1 | spacer 45.2x51.8x10 |
| 5 | 2.0439.195.7 | 1 | stud bolt m 20 p.1.5x80 |
| 6 | 2.1019.094.7 | 1 | nut m 20 p.1.5 |
| 7 | 2.0112.320.2 | 6 | screw m 10 p.1.5 x 55 |
| 8 | 2.1470.006.2 | 6 | lock washer 10 |



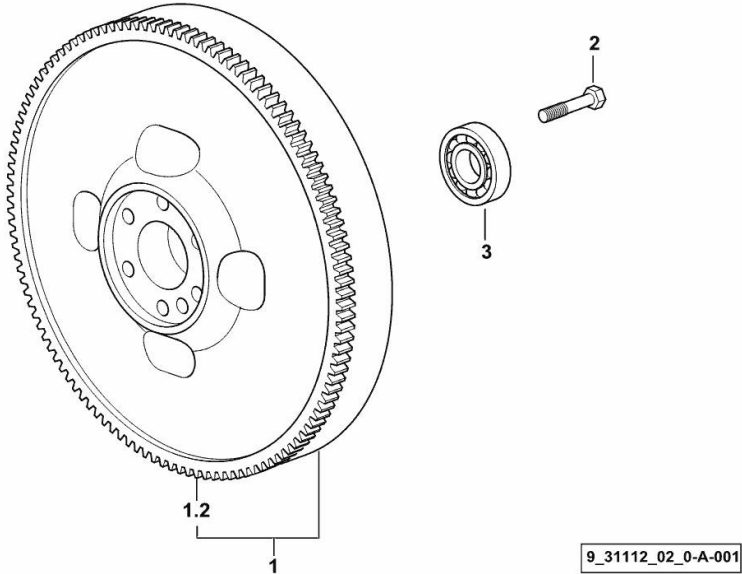
I9_O6312_03_0-A-001

ENGINE FLYWHEEL

| Fig. | P/n | QTY | Name |
|------|-----|-----|------|
|------|-----|-----|------|

Notes:
 FOR ENGINES PRODUCED IN : TREVIGLIO ITALY [XA 70 TRADITION -> 10001]

| | | | |
|-----|-----------------|---|-----------------------|
| 1 | 0.007.1617.3/30 | 1 | flywheel |
| 1.2 | 0.069.1242.0 | 1 | crown wheel Z = 121 |
| 2 | 2.0119.174.0/10 | 6 | screw m 12 p.1.25x45 |
| 3 | 2.2041.008.0 | 1 | ball bearing 20x47x14 |

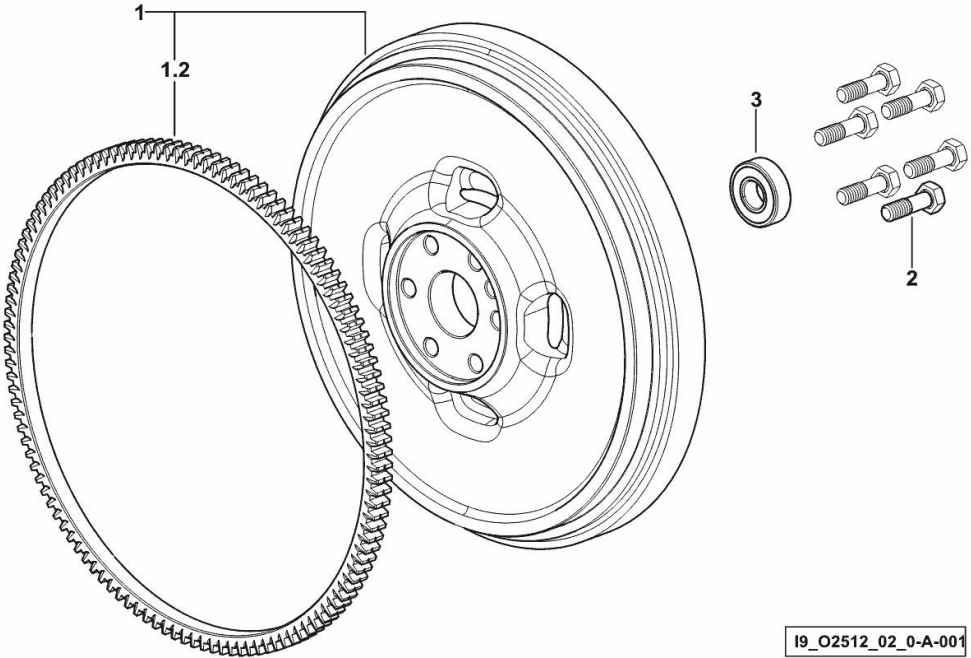


ENGINE FLYWHEEL

| Fig. | P/n | QTY | Name |
|------|-----|-----|------|
|------|-----|-----|------|

Notes:
 FOR ENGINES PRODUCED IN : RANIPET - INDIA [XA 70 TRADITION -> 10001]

| | | | |
|-----|-----------------|---|-----------------------|
| 1 | 0.007.1617.3/30 | 1 | flywheel |
| 1.2 | 0.069.1242.0 | 1 | crown wheel Z = 121 |
| 2 | 2.0119.174.0/10 | 6 | screw m 12 p.1.25x45 |
| 3 | 2.2041.008.9 | 1 | ball bearing 20x47x14 |



19_O2512_02_0-A-001



Suggest:

For more complete manuals. Please go to the home page.

<https://www.ebooklibonline.com>

If the above button click is invalid. Please download this document first, and then click the above link to download the complete manual.

Thank you so much for reading

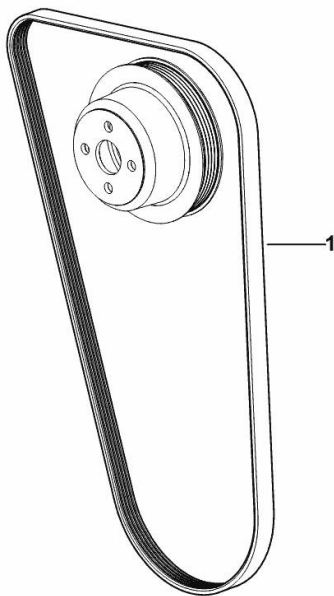
COOLANT PUMP AND ALTERNATOR DRIVEBELT

| Fig. | P/n | QTY | Name |
|------|-----|-----|------|
|------|-----|-----|------|

Notes:

[XA 70 TRADITION -> 10001] 25002 <-

| | | | |
|---|--------------|---|----------------------|
| 1 | 2.4119.187.0 | 1 | belt PV-K5 (mm 1230) |
|---|--------------|---|----------------------|



9_O6817_09_0-A-001

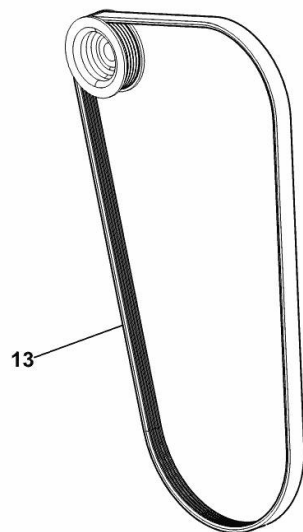
COOLANT PUMP AND ALTERNATOR DRIVEBELT

| Fig. | P/n | QTY | Name |
|------|-----|-----|------|
|------|-----|-----|------|

Notes:

- FOR TRACTORS WITHOUT AIR CONDITIONING [XA 70 TRADITION -> 10001]-> 25003

| | | | |
|----|--------------|---|-------------------------|
| 13 | 2.4119.188.0 | 1 | belt PV-K5 17.4x1275 mm |
|----|--------------|---|-------------------------|



9_T0284_09_0-A-001

<https://www.ebooklibonline.com>

Hello dear friend!

Thank you very much for reading.

Enter the link into your browser.

The full manual is available for immediate download.

<https://www.ebooklibonline.com>