

Section: ENGINE
CRANKCASE

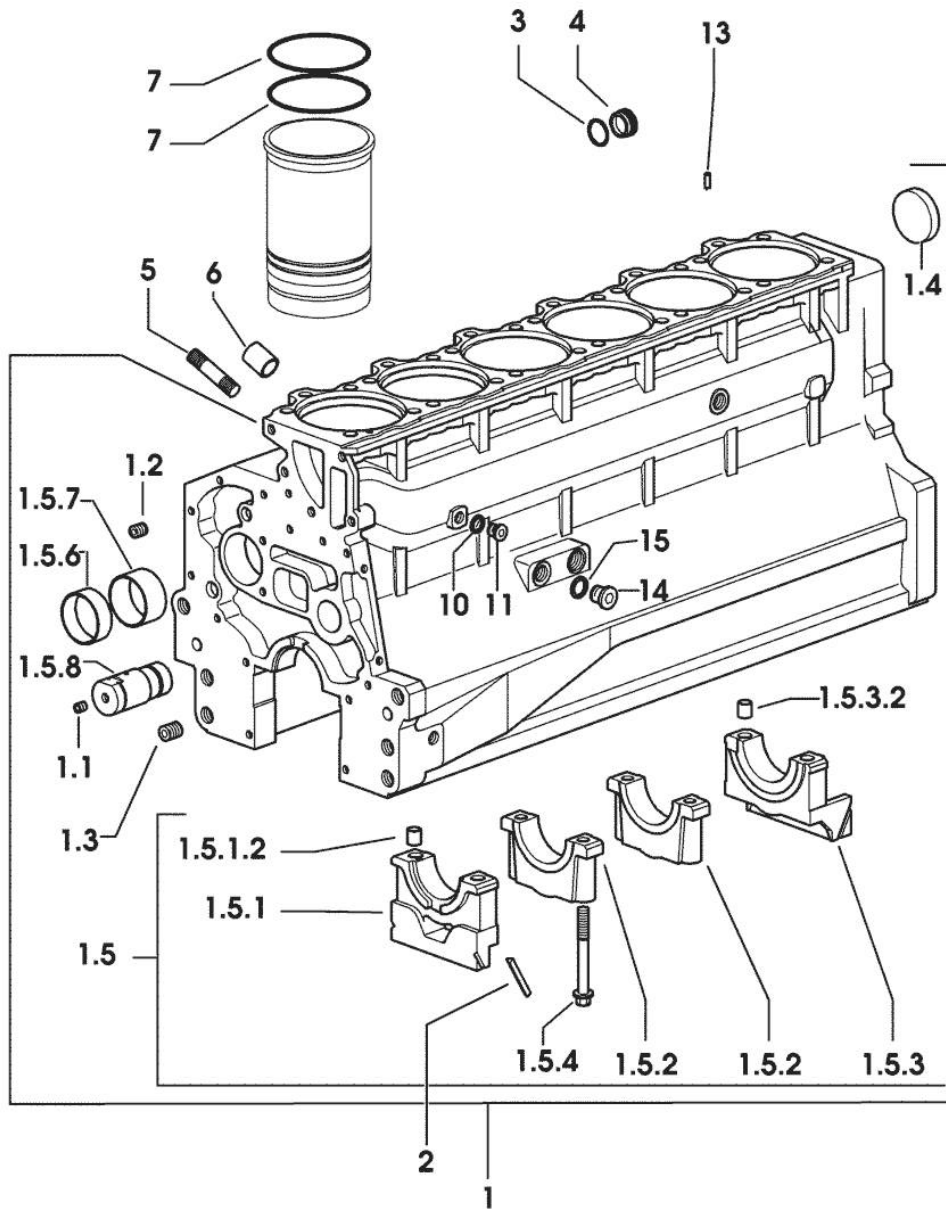


Fig.	P/n	QTY	Name
------	-----	-----	------

Notes:
 [SX-1800]

1	0.007.1102.6/20	1	crankcase
1.1	2.3130.001.1	14	plug 1/8" gas
1.2	2.3130.002.1	2	plug 1/4" gas
1.3	2.3130.003.1	8	plug 3/8" gas
1.4	2.3179.012.0	1	plug 60
1.5	0.000.0000.1		cannot be supplied
1.5.1	0.065.1112.7	1	support
1.5.1.2	2.1699.165.0	1	bush 12.3x15x16
1.5.2	0.065.1114.0/10	5	support
1.5.3	0.007.0848.3/10	1	support
1.5.3.2	2.1699.165.0	1	bush 12.3x15x16
1.5.4	0.065.1117.0	14	screw m 12 x 100
1.5.6	0.065.1140.0	6	special bushing 59X55X20
1.5.7	0.065.1141.0	1	special bushing 59X55X30
1.5.8	0.066.1151.0	1	pin
2	0.066.1152.0/10	4	gasket
3	2.1532.072.0	1	oil seal 26.70x1.78
4	2.3199.405.2	1	plug m 28 p.1.5
5	2.0432.003.7	18	stud bolt m 8 p.1.25 / p.1 x 20
6	2.1559.188.2	6	bush 11.4 x 14 x16
7	2.1539.193.0	12	special oil seal 107.62x2.62
10	2.1560.010.0	1	gasket 14.2 x 20
11	2.3199.292.0	1	plug 1/4" gas
13	2.1549.154.2	6	bush 4.8x5.8x16
14	2.3120.101.0	1	plug m 18 p.1.5
15	2.1560.014.0	1	washer 18.2 x 24

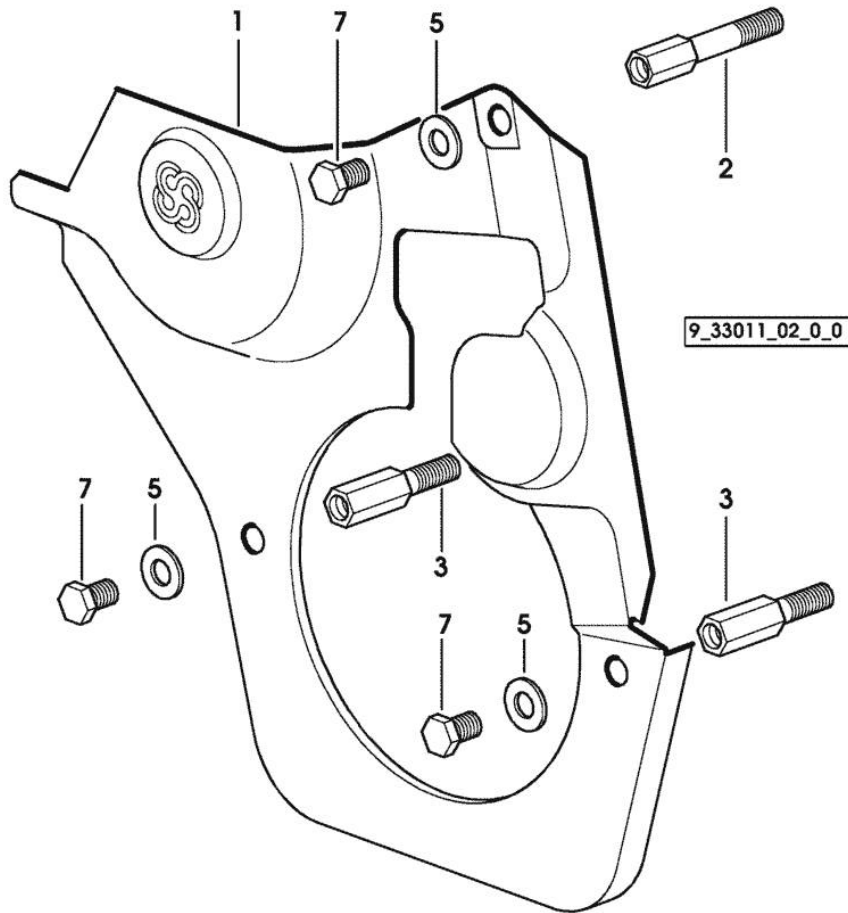
9_01311_00_0_0

Section: ENGINE
GUARD PLATE

Fig.	P/n	QTY	Name
------	-----	-----	------

Notes:
 [SX-1800]

1	0.007.1262.3/50	1	guard
2	0.007.1271.0/10	1	small column m 8 p.1.25 / L = mm 60
3	0.007.1272.0/10	2	small column m 8 p.1.25 / L = mm 50
5	2.1310.004.2	3	flat washer 8.4x17
7	2.0112.203.2	3	screw m 8 p.1.25 x 12



9_33611_01_0_0

SX-1800

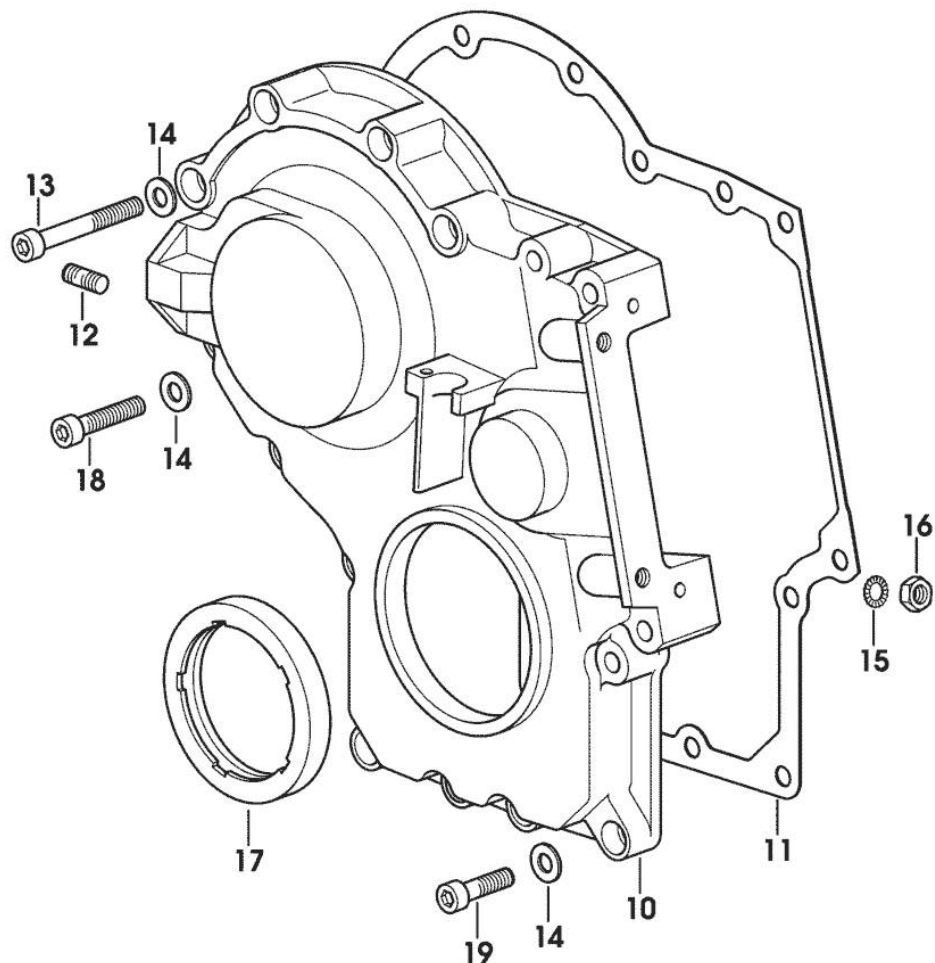
Ref: 01.00.7

Section: ENGINE
TIMING CASE

Fig.	P/n	QTY	Name
------	-----	-----	------

Notes:
[SX-1800]

10	0.013.4981.0	1	guard
11	0.065.1150.0/30	1	gasket
12	2.0432.003.7	2	stud bolt m 8 p.1.25 / p.1 x 20
13	2.0312.219.2	4	screw m 8 p.1.25x65
14	2.1480.014.1	15	washer 8
15	2.1470.004.2	4	lock washer 8
16	2.1011.405.2	2	nut m 8 p.1
17	2.1529.141.0	1	special oil seal
18	2.0312.214.2	3	screw m 8 p.1.25 x 40
19	2.0312.208.2	8	screw m 8 p.1.25 x 25



<https://www.ebooklibonline.com>

Hello dear friend!

Thank you very much for reading.

Enter the link into your browser.

The full manual is available for immediate download.

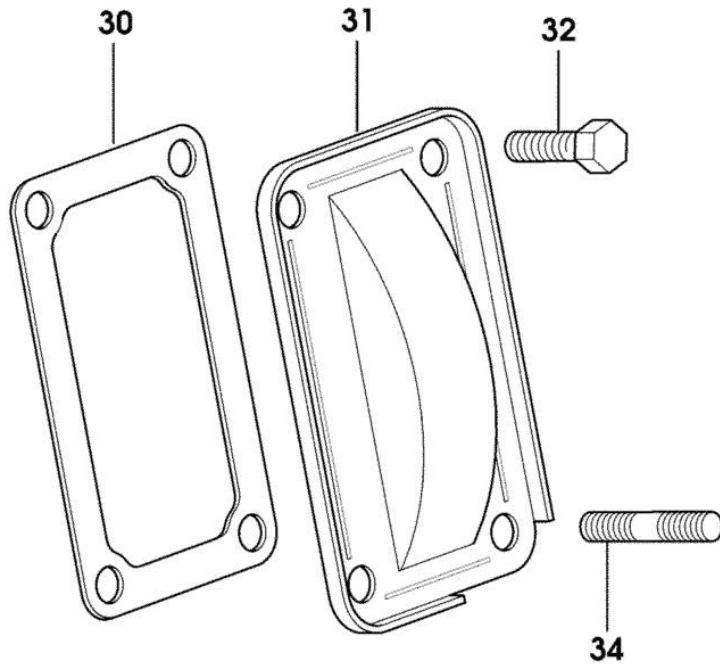
<https://www.ebooklibonline.com>

Section: ENGINE
CASING COVER

Fig.	P/n	QTY	Name
------	-----	-----	------

Notes:
 [SX-1800]

30	0.065.1152.0	1	gasket
31	0.065.1151.0	1	cover
32	2.0112.205.2	2	screw m 8 p.1.25 x 16
34	2.0432.005.7	2	stud bolt m 8 p.1.5 / p.1 x 25



9_33011_04_0_0

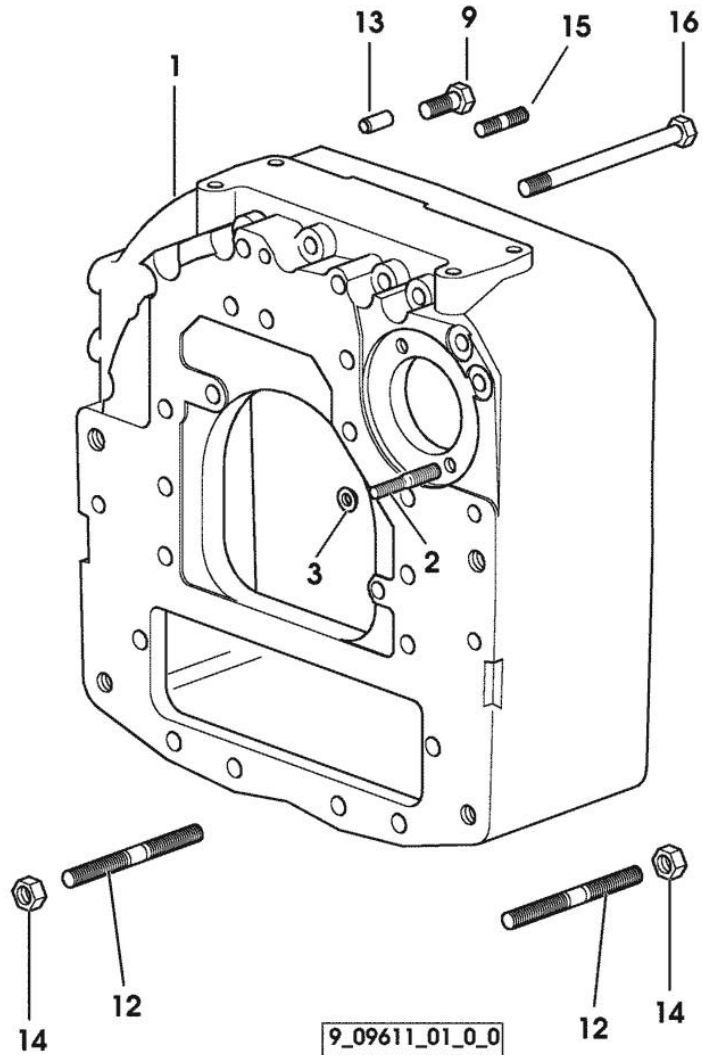
Section: ENGINE

CONNECTING FLANGE

Fig.	P/n	QTY	Name
------	-----	-----	------

Notes:
[SX-1800]

1	0.011.4451.0	1	flange
2	2.0439.250.7	1	stud bolt m 12 / m 10 x 30
3	0.011.9294.0/10	1	bush
9	2.0112.513.2	11	screw m 14 p.2 x 35
12	2.0439.240.2/10	6	stud bolt m 14x225
13	2.1651.911.0	2	cylindrical plug
14	2.1011.408.2	6	nut m 14 p.1.5
15	2.0432.257.7	1	stud bolt m 12 p.1.75 - 1.25 x 30
16	2.0399.277.2	2	screw m 14 p.2x175

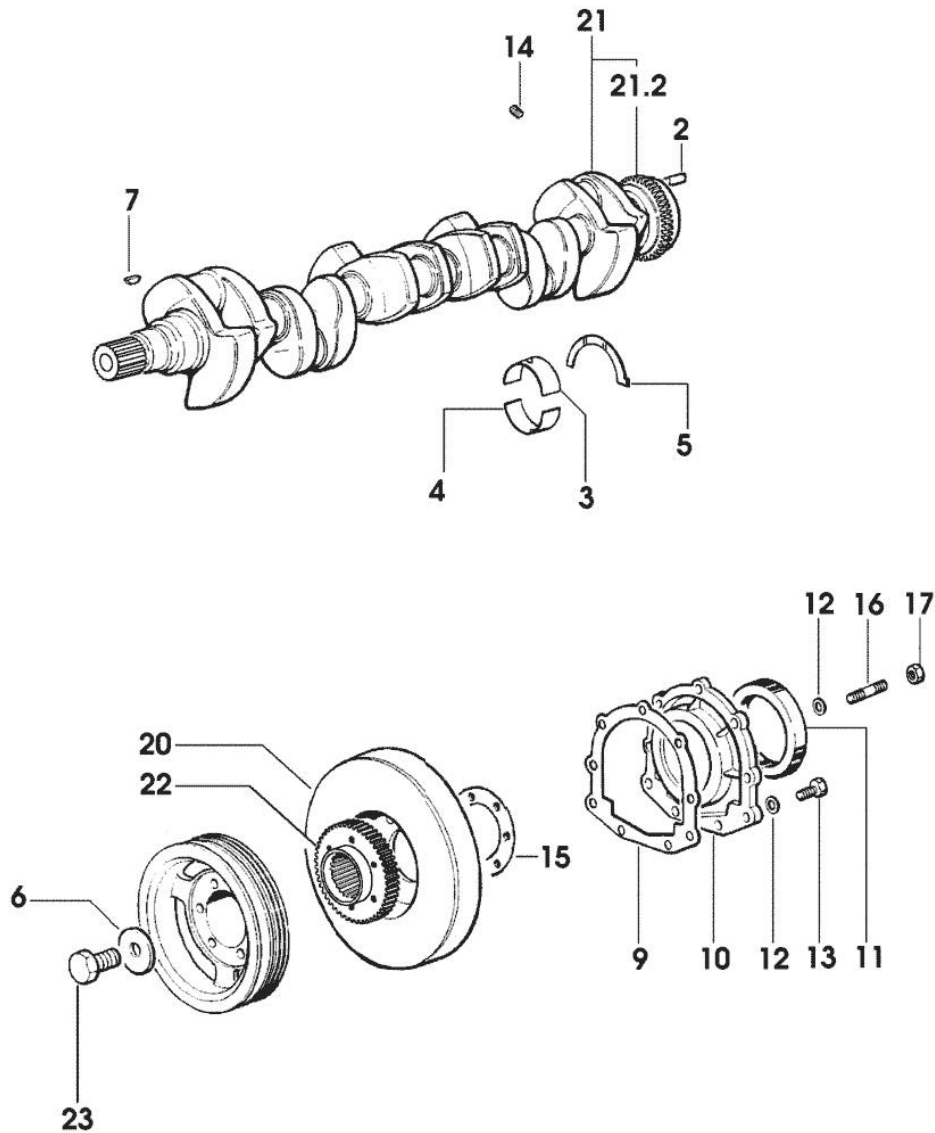


Section: ENGINE
CRANKSHAFT

Fig.	P/n	QTY	Name
------	-----	-----	------

Notes:
 [SX-1800]

2	2.1651.915.0	1	pin 12x35
3	0.065.1215.0	7	main half bushing STANDARD
3	0.065.1215.7		main half bushing - mm 0.25
3	0.065.1215.8		main half bushing - mm 0.50
4	0.065.1216.0	7	main half bushing
4	0.065.1216.7		main half bushing - mm 0.25
4	0.065.1216.8		main half bushing - mm 0.50
5	0.065.1218.0	4	shim STANDARD
5	0.065.1218.7		shim + mm 0.10
5	0.065.1218.8		shim + mm 0.15
6	2.1599.524.7	1	washer 21x60x12
7	2.1720.006.0	1	key 4x6.5
9	0.065.1254.0/20	1	gasket
10	0.007.0851.0/10	1	cover
11	2.1529.073.0	1	special oil seal 110x130x13
12	2.1475.002.2	9	conical washer 8
13	2.0112.207.2	7	screw m 8 p 1.25 x 20
14	2.3130.001.1	6	plug 1/8" gas
15	2.1589.137.0	2	shoulder ring 71x110x1
16	2.0432.003.7	2	stud bolt m 8 p.1.25 / p.1 x 20
17	2.1011.105.2	2	nut m 8 p.1.25
20	0.009.3704.3	1	antivibration pulley
21	0.010.4320.3/20	1	crankshaft
21.2	0.007.0855.0/10	1	gear
22	0.011.2206.0/10	1	hub
23	2.0399.144.7/10	1	screw m 20 p.1.5x51



9_37912_00_0_0

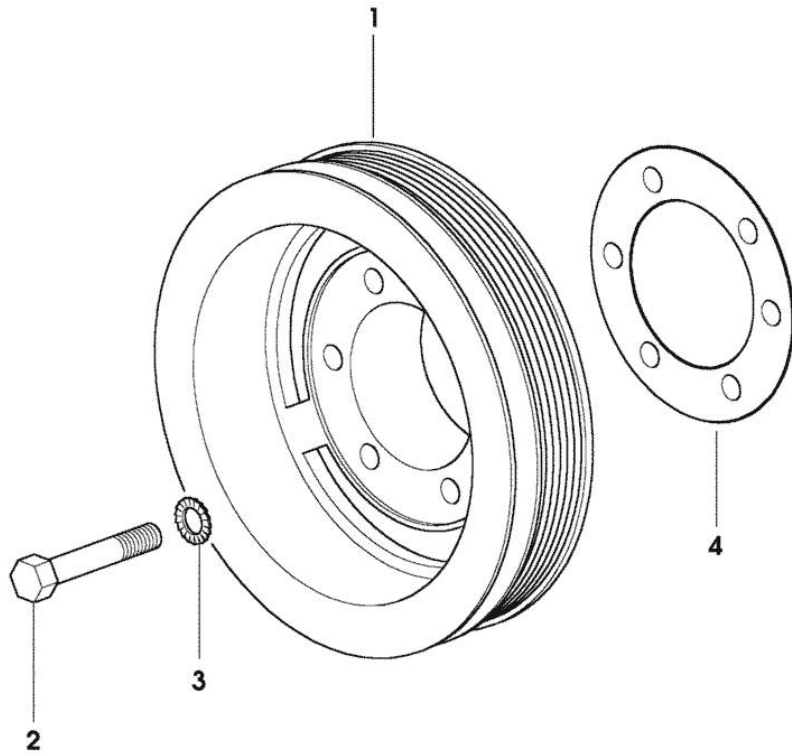
Section: ENGINE

CRANKSHAFT PULLEY

Fig.	P/n	QTY	Name
------	-----	-----	------

Notes:
[SX-1800]

1	0.010.5449.0/10	1	pulley
2	2.0112.322.2	6	screw m 10 p.1.5x65
3	2.1470.006.2	6	lock washer 10
4	2.1589.137.0	2	shoulder ring 71x110x1



9_38012_01_0_0

CYLINDER - PISTON - CONNECTING ROD

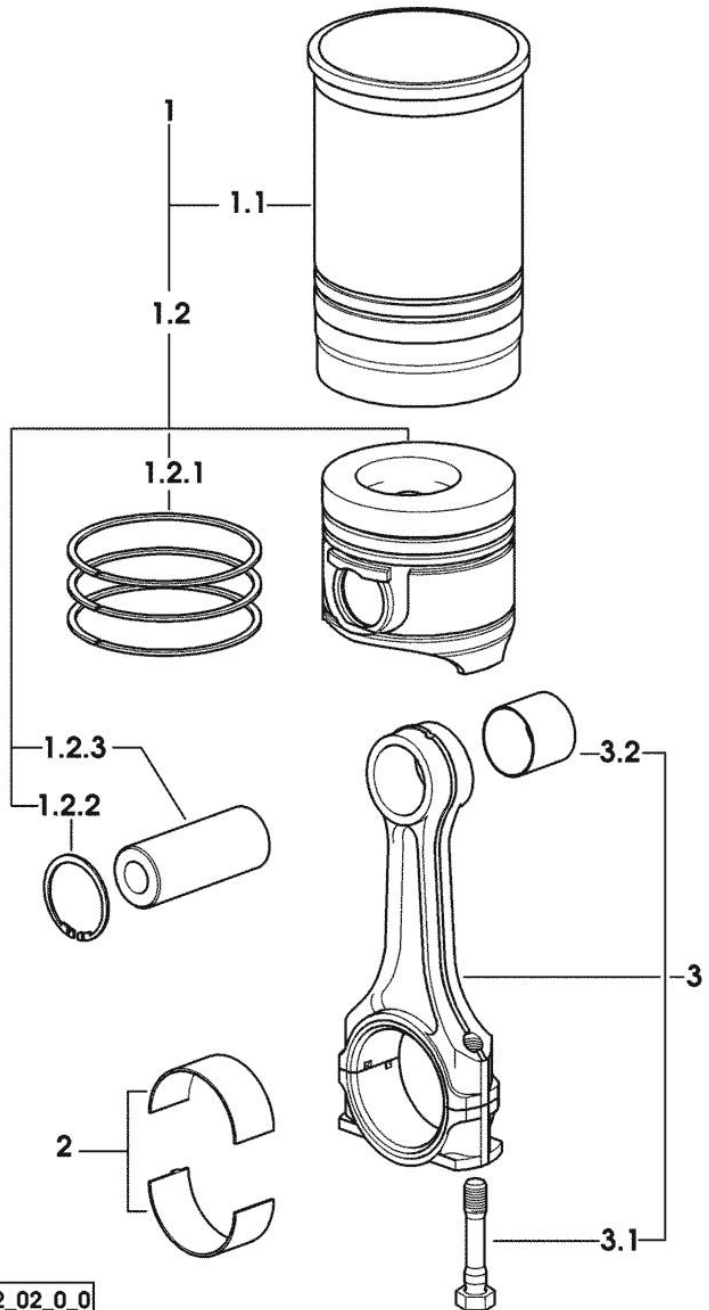


Fig.	P/n	QTY	Name
------	-----	-----	------

Notes:
[SX-1800]

1	0.384.0065.A	6	cyl. piston assembly "A" - CLASS A
1	0.384.0065.B	6	cyl. piston assembly "B" - CLASS B
1.1	0.A12.2675.0	1	engine cylinder "A" - CLASS A
1.1	0.B12.2675.0	1	engine cylinder "B" - CLASS B
1.2	0.383.0060.A	1	complete piston "A" - CLASS A
1.2	0.383.0060.B	1	complete piston "B" - CLASS B
1.2.1	0.338.0052.6/20	1	piston ring set
1.2.2	2.1411.014.1	2	circlip 35
1.2.3	0.078.1236.0	1	piston pin Ø 18 / Ø 35 / L = mm 86
2	0.065.1225.0	12	con.rod half bushing STANDARD - A = 28.75 -> 29.00
2	0.065.1225.7	12	con.rod half bushing - mm 0.25
2	0.065.1225.8	12	con.rod half bushing - mm 0.50
3	0.007.1395.3/20	6	engine connecting rod
3.1	2.0399.213.0	2	screw m 12 p.1.25x61.5
3.2	2.1559.255.0	1	special bushing 34.60x39.130x34.65

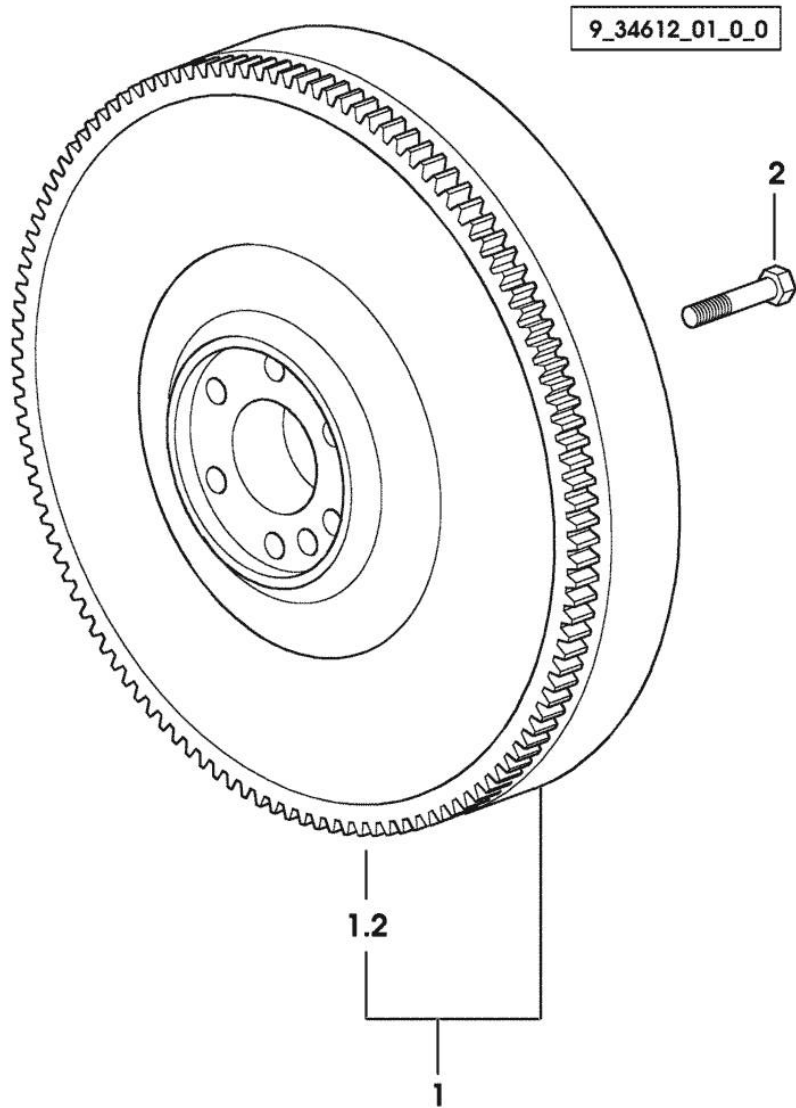
9_38312_02_0_0

ENGINE FLYWHEEL

Fig.	P/n	QTY	Name
------	-----	-----	------

Notes:
[SX-1800]

1	0.007.0655.3/20	1	flywheel
1.2	0.065.1242.0	1	crown wheel Z = 123
2	2.0119.174.0/10	6	screw m 12 p.1.25x45



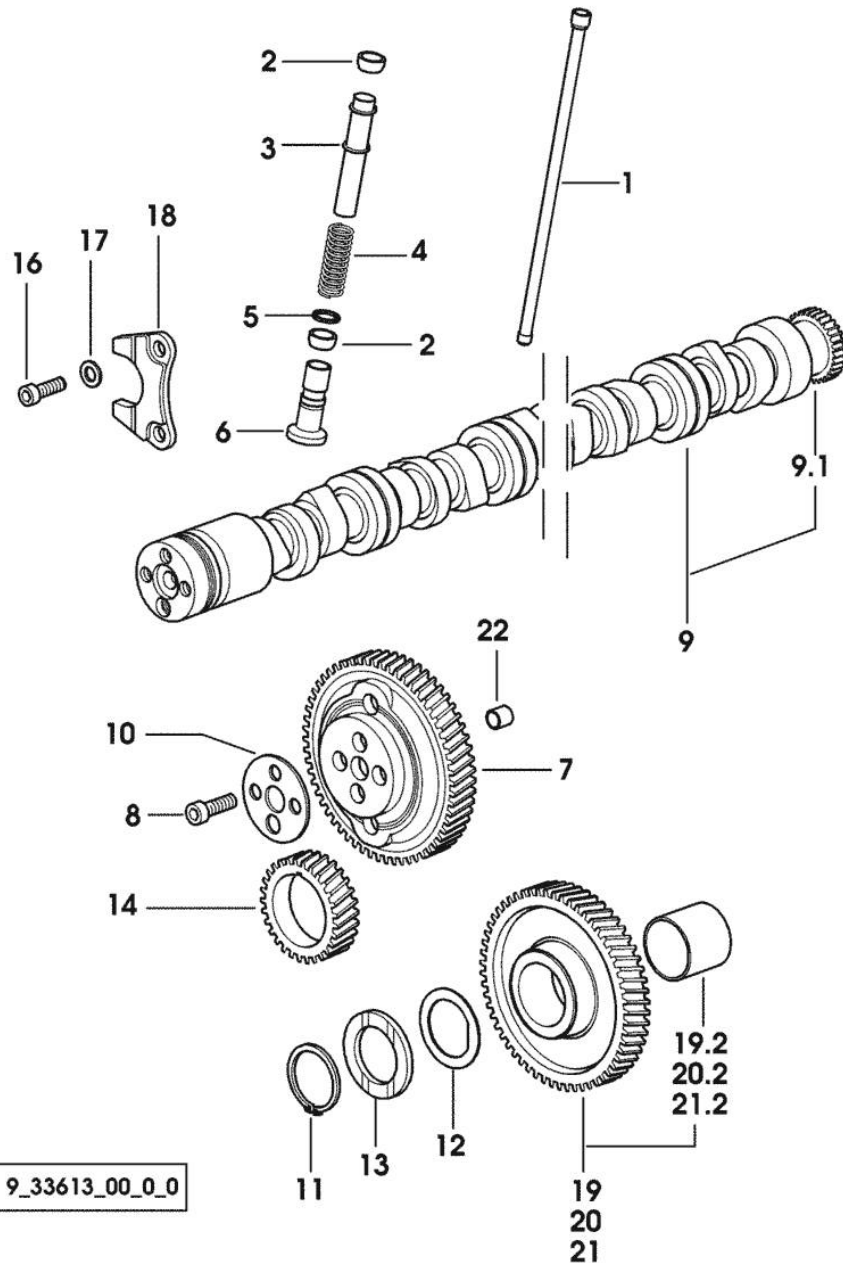
Section: ENGINE

CAMSHAFT

Fig.	P/n	QTY	Name
------	-----	-----	------

Notes:
[SX-1800]

1	0.065.1331.2	12	rod
2	2.1569.114.0/10	24	gasket 14x18.5x8
3	0.065.1332.0	12	sleeve
4	2.4019.300.1/10	12	spring 18.5x52x2
5	2.1599.437.0	12	shoulder ring
6	0.065.1330.0	12	tappets
7	0.065.1354.0/20	1	gear z=58
8	2.0132.207.2	4	screw m 10 p.1 x 25
9	0.075.1310.3/30	1	camshaft
9.1	0.065.1324.0/10	1	gear Z = 32
10	0.065.1350.0	1	small disc
11	2.1410.016.1	1	circlip 40
12	0.065.1352.0	1	shim
13	0.065.1351.0	2	shoulder ring
14	0.007.1188.0/30	1	gear Z = 29
16	2.0312.205.2	2	screw
17	2.1480.014.1	2	washer 8
18	0.065.1353.0	1	small plate
19	0.007.1177.3/20		gear z = 57
			- WITH RED IDENTIFICATION STAMP
19.2	2.1559.185.0/10	1	bushing
20	0.007.1178.3/20		gear z = 57
			- WITH YELLOW IDENTIFICATION STAMP
20.2	2.1559.185.0/10	1	bushing
21	0.007.1179.3/20	1	gear z = 57
			- WITH GREEN IDENTIFICATION STAMP
21.2	2.1559.185.0/10	1	bushing
22	2.1559.398.0	1	bushing 10.5x13x12



9_33613_00_0_0

Section: ENGINE
CYLINDER HEAD

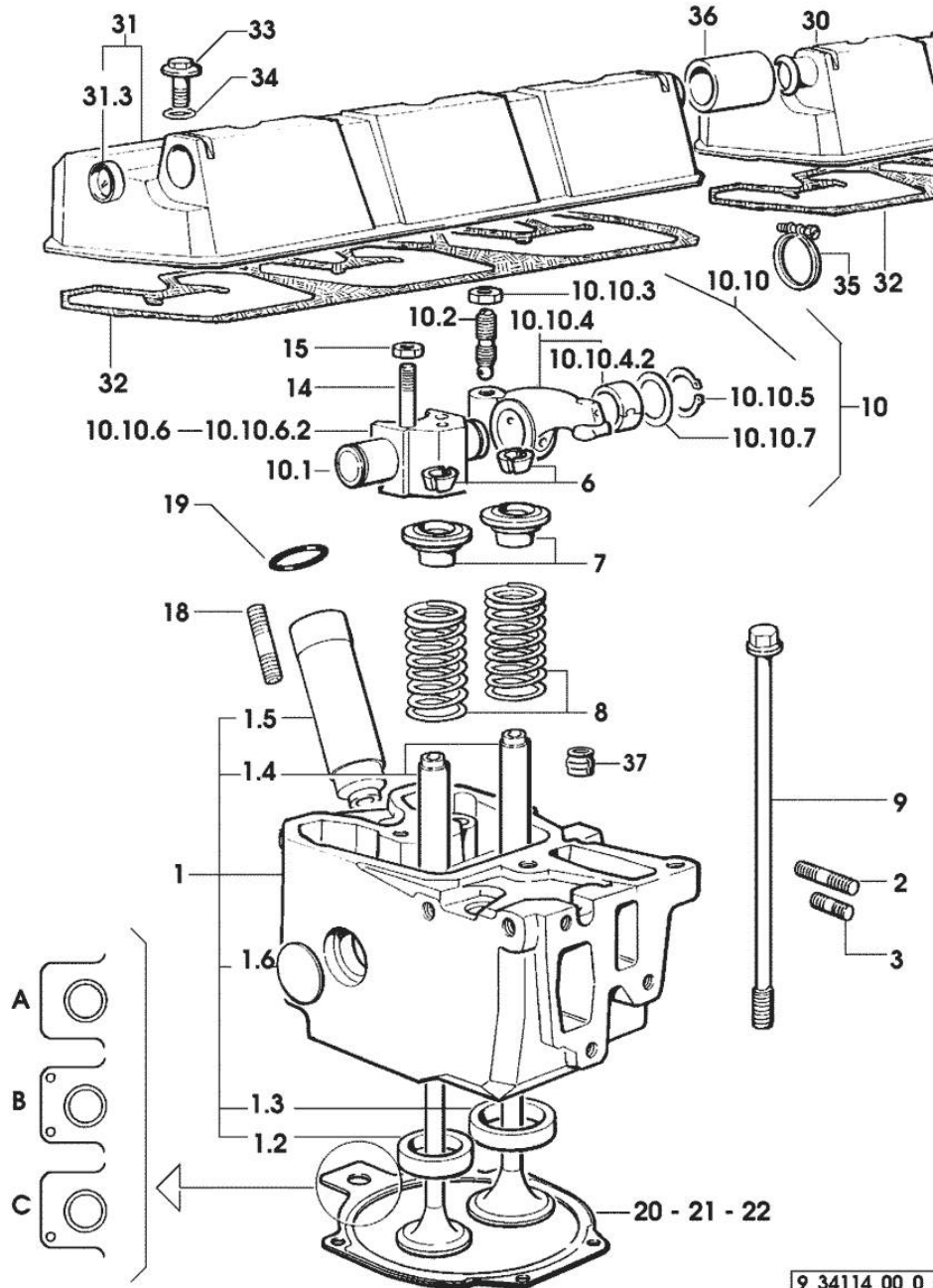


Fig.	P/n	QTY	Name
------	-----	-----	------

Notes:
[SX-1800]

1	0.007.1360.3/60	6	head
1.2	0.078.1426.0	1	valve seat
1.3	0.066.1427.0	1	valve seat
1.4	0.007.1779.0/10	2	valve guide
1.5	0.010.6041.0	1	bush
1.6	2.3170.012.1	2	expansion plug 30
2	2.0432.011.7	6	stud bolt m 8 p.1.25 / p.1 x 40
3	2.0432.005.7	6	stud bolt m 8 p.1.5 / p.1 x 25
6	0.074.1423.0	24	conical valve cotter
7	0.066.1425.0	12	cup
8	2.4019.287.0	12	spring
9	0.012.2673.0	24	screw m 14 p.2x141 X SX-1600 -> 1007 X SX-1800 -> 1005 X SX-2000
9	0.066.1443.0/10	24	screw 1006 <- X SX-1800 1004 <- X SX-2000
10	0.000.0000.1		cannot be supplied -> 1002 X SX-1600 -> 1008 X SX-1800 X SX-2000
10.1	0.066.1431.0	1	pin
10.2	0.021.1434.0	2	screw
10.10	0.000.0000.1		cannot be supplied
10.10.3	2.1011.405.2	2	nut m 8 p.1
10.10.4	0.066.1432.3	2	rocker arm
10.10.4.2	2.1559.021.0/40	1	bushing 15x19x22
10.10.5	2.1410.055.7	2	circlip 19
10.10.6	0.000.0000.1		cannot be supplied
10.10.6.2	0.066.1430.0/10	1	support
10.10.7	2.1599.432.0	2	shoulder ring
14	2.0432.163.7	6	stud bolt m 10 p.1.5 / p.1.25 x 45
15	2.1011.421.2	12	nut m 10 p.1.25
18	2.0432.161.7	6	stud bolt m 10 p.1.5 / p.1.25 x 40
19	2.1530.051.0	6	oil seal 20.22x3.53
20	0.078.1451.0/40		head gasket -A-
21	0.078.1452.0/30		head gasket -B-
22	0.078.1453.0/40		head gasket -C-
30	0.078.1450.3	1	cover 1007 <- X SX-1800

Section: ENGINE
CYLINDER HEAD

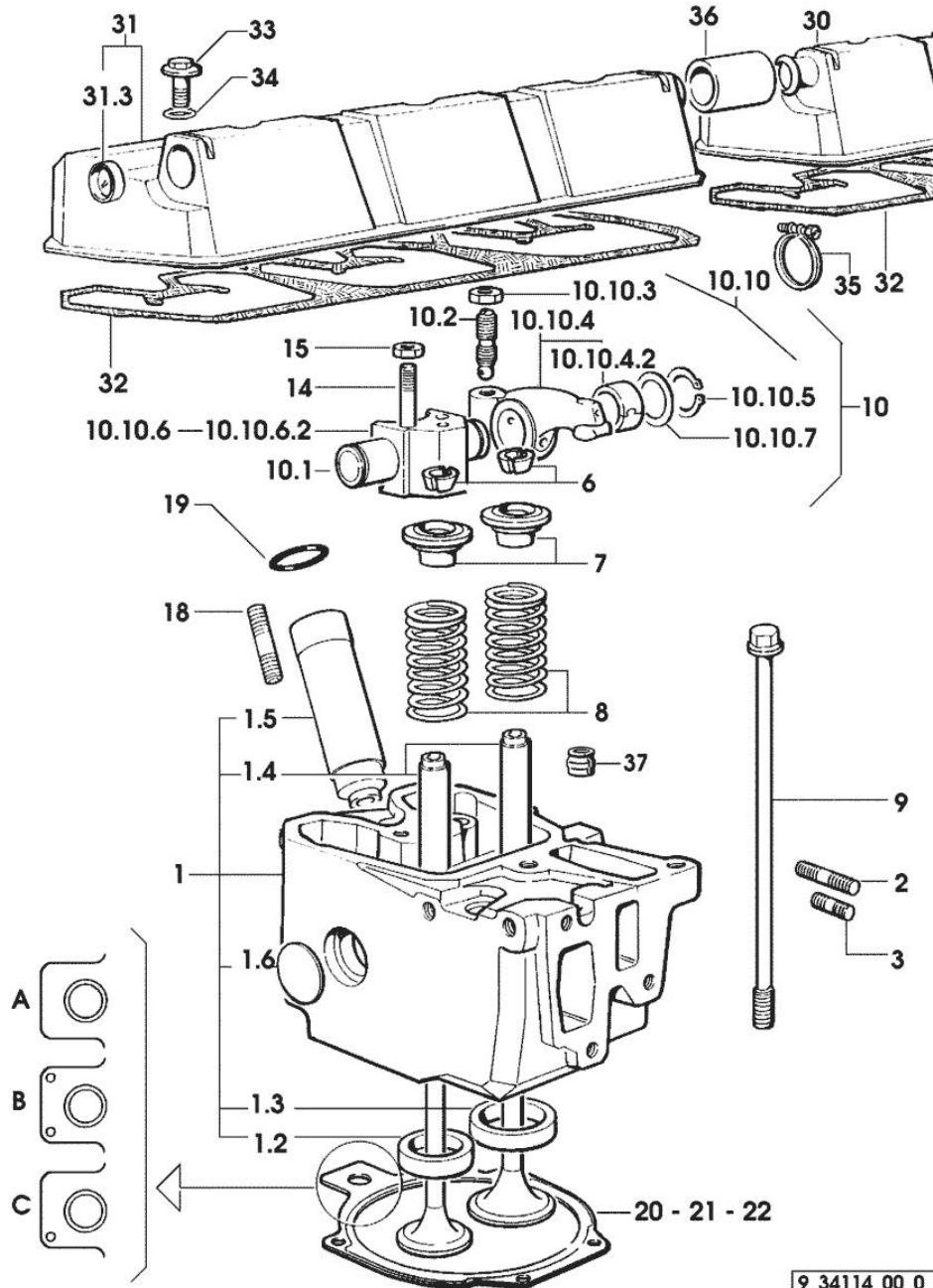


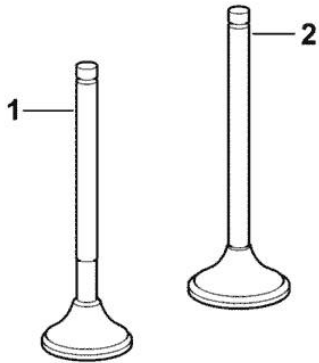
Fig.	P/n	QTY	Name
30	0.078.1450.3/10	1	1012 <- X SX-2000 cover X SX-1600 -> 1008 X SX-1800 -> 1013 X SX-2000
31	0.078.1440.3	1	cover 1007 <- X SX-1800 1012 <- X SX-2000
31	0.078.1440.3/10	1	cover X SX-1600 -> 1008 X SX-1800 -> 1013 X SX-2000
31.3	2.3171.008.4	1	plug 20
32	0.009.3877.0/10	2	tappet gasket
33	2.0399.130.2/10	6	screw m 8x36x44 1007 <- X SX-1800 1012 <- X SX-2000
33	2.0399.288.2/10	6	screw m 8x36x46 X SX-1600 -> 1008 X SX-1800 -> 1013 X SX-2000
34	2.1532.035.0	6	oil seal 14x1.78 1007 <- X SX-1800 1012 <- X SX-2000
34	2.1539.151.0	6	special oil seal 9.19 x 2.62 X SX-1600 -> 1008 X SX-1800 -> 1013 X SX-2000
35	2.6859.091.0	2	clamp
36	0.075.1452.0/10	1	sleeve
37	2.1519.117.0	12	special oil seal

INLET AND EXHAUST VALVES

Fig.	P/n	QTY	Name
------	-----	-----	------

Notes:
[SX-1800]

1	0.007.1147.0/10	6	exhaust valve mm 39.1 / Ø mm 9
2	0.007.1146.0/10	6	inlet valve mm 43.63 / Ø mm 9

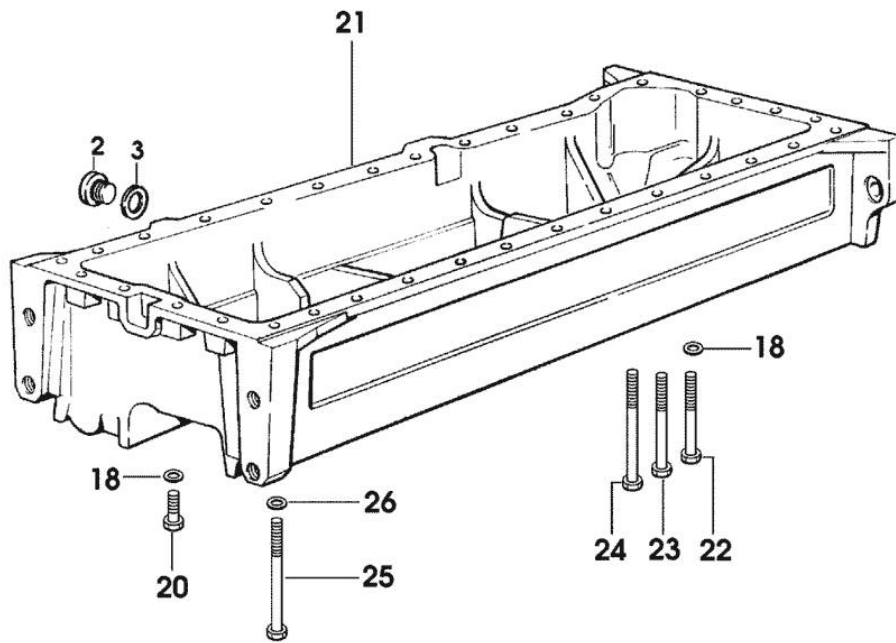


OIL PAN - FOR TYPES WITHOUT SUSPENSION

Fig.	P/n	QTY	Name
------	-----	-----	------

Notes:
[SX-1800]

2	2.3199.001.2	2	plug 1/2" gas
3	2.1560.054.0	2	gasket 21 x 26
18	2.1470.004.2	34	lock washer 8
20	2.0112.215.2	25	screw m 8 p.1.25 x 40
21	0.010.9107.0/20	1	oil sump
22	2.0112.229.2	3	screw m 8 p.1.25 x 100
23	2.0112.235.2	2	screw m 8 p.1.25 x 130
24	2.0112.241.2	2	screw m 8 p.1.25 x 160
25	2.0112.243.2	2	screw m 8 p.1.25x170
26	2.1579.854.2	2	spacer 8.5x20x5



9_38415_02_0_0



Suggest:

For more complete manuals. Please go to the home page.

<https://www.ebooklibonline.com>

If the above button click is invalid. Please download this document first, and then click the above link to download the complete manual.

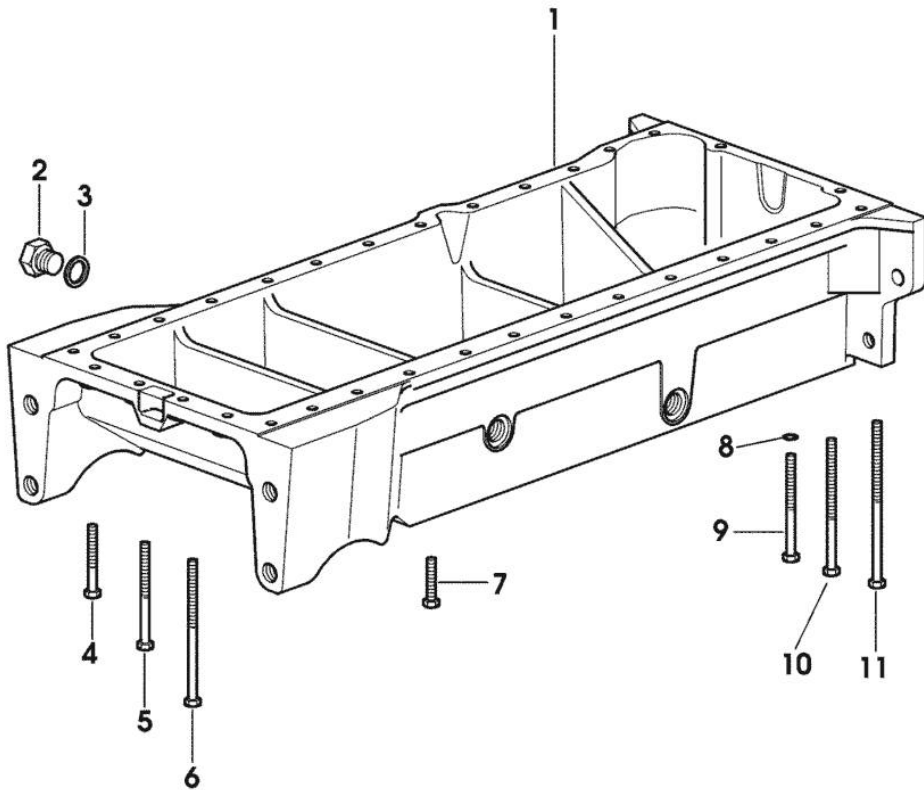
Thank you so much for reading

OIL PAN - FOR TYPES WITH FRONT SUSPENSION

Fig.	P/n	QTY	Name
------	-----	-----	------

Notes:
[SX-1800]

1	0.010.9125.0/20	1	oil sump
2	2.3199.001.2	3	plug 1/2" gas
3	2.1560.054.0	3	gasket 21 x 26
4	2.0112.222.2	2	screw m 8 p.1.25x65
5	2.0112.229.2	2	screw m 8 p.1.25 x 100
6	2.0112.237.2	2	screw m 8 p.1.25x140
7	2.0112.215.2	21	screw m 8 p.1.25 x 40
8	2.1470.004.2	34	lock washer 8
9	2.0112.229.2	3	screw m 8 p.1.25 x 100
10	2.0112.235.2	2	screw m 8 p.1.25 x 130
11	2.0112.241.2	2	screw m 8 p.1.25 x 160



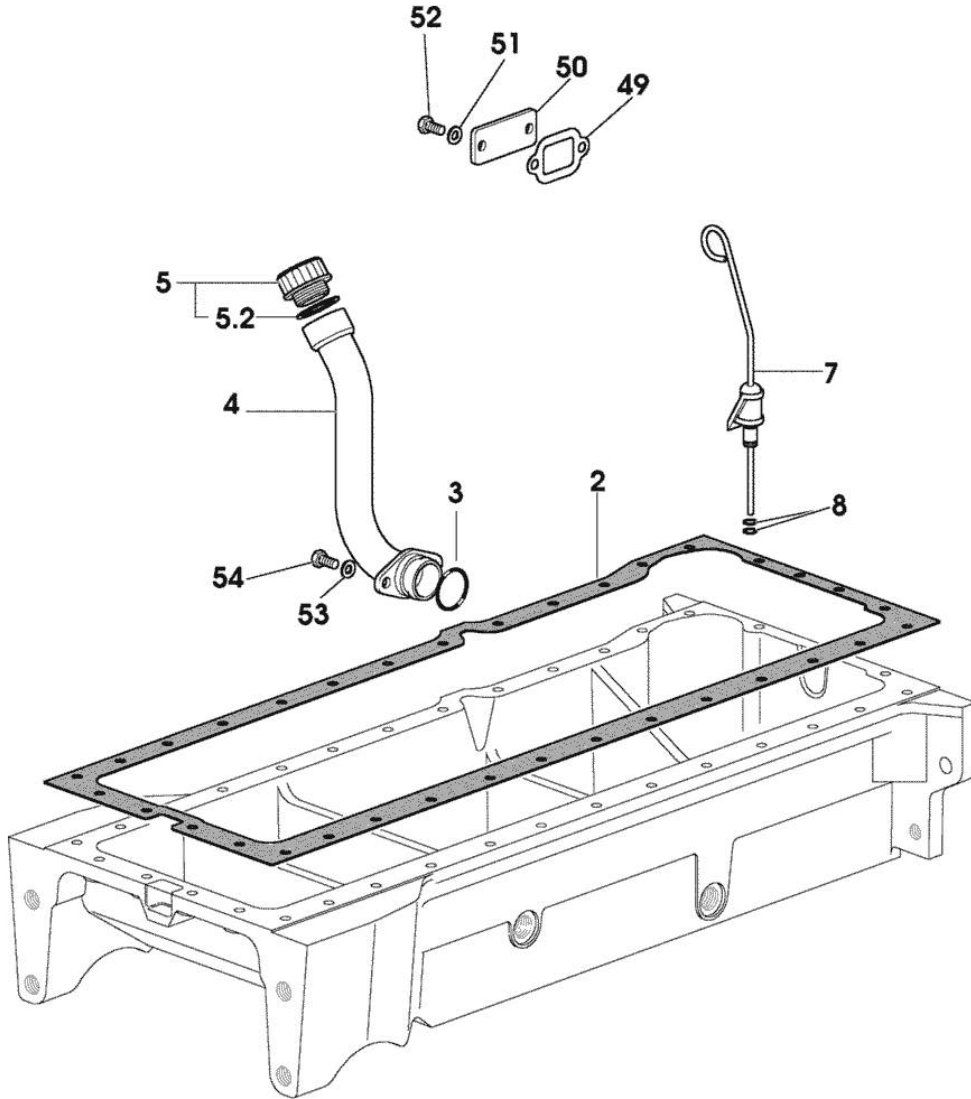
9_38415_03_0_0

Section: ENGINE
LUBRICATION

Fig.	P/n	QTY	Name
------	-----	-----	------

Notes:
 [SX-1800]

2	0.007.0849.0/10	1	gasket
3	2.1531.091.0	1	oil seal 34.60 x 2.62
4	0.010.9099.3	1	tube
5	0.041.1135.4	1	plug 1" gas
5.2	2.1569.072.0	1	gasket 32 x 39.5 x 2
7	0.010.9103.2	1	dipstick
8	2.1539.065.0	2	special oil seal 8.73 x 1.78
49	0.010.9185.0	1	gasket
50	0.010.9104.0	1	plate
51	2.1310.004.2	2	flat washer 8.4x17
52	2.0112.205.2	2	screw m 8 p.1.25 x 16
53	2.1480.014.2	2	washer 8
54	2.0312.204.2	2	screw m 8 p.1.25 x 16



9_38415_01_0_C

001/01

<https://www.ebooklibonline.com>

Hello dear friend!

Thank you very much for reading.

Enter the link into your browser.

The full manual is available for immediate download.

<https://www.ebooklibonline.com>