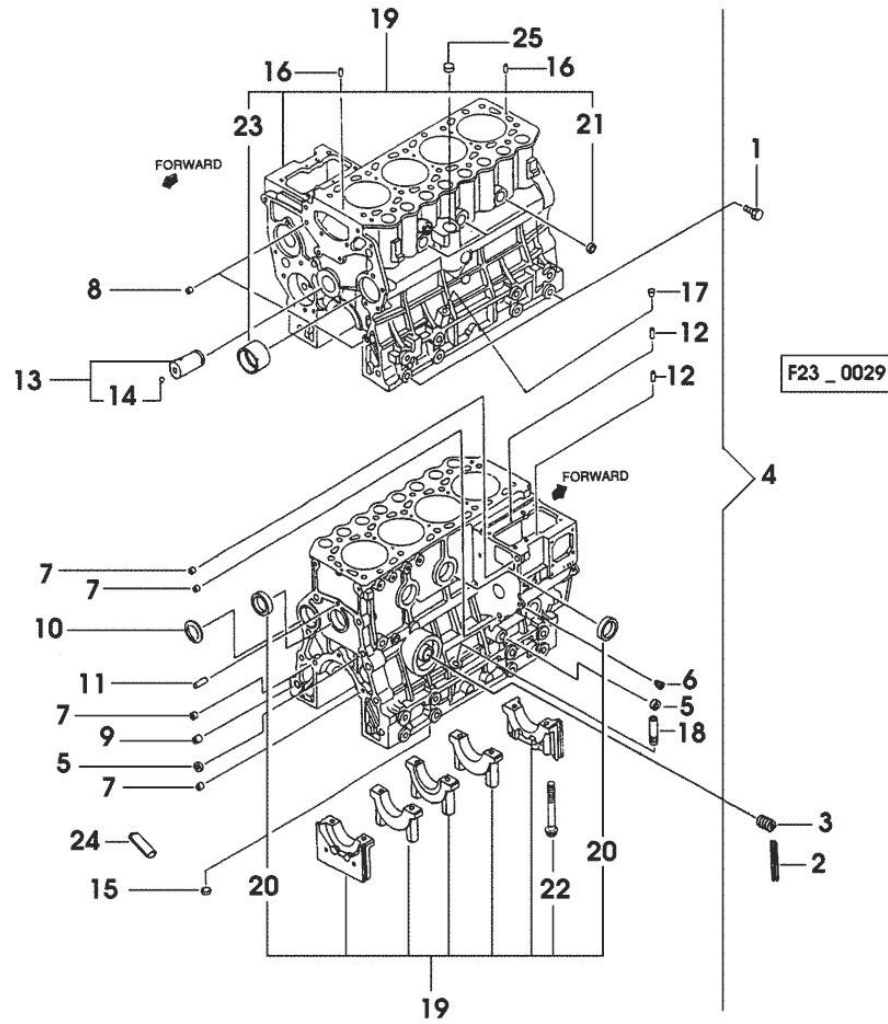


Section: ENGINE  
**CRANKCASE**

Fig.	P/n	QTY	Name
------	-----	-----	------

Notes:  
 [PRINCE 445 ->5001]

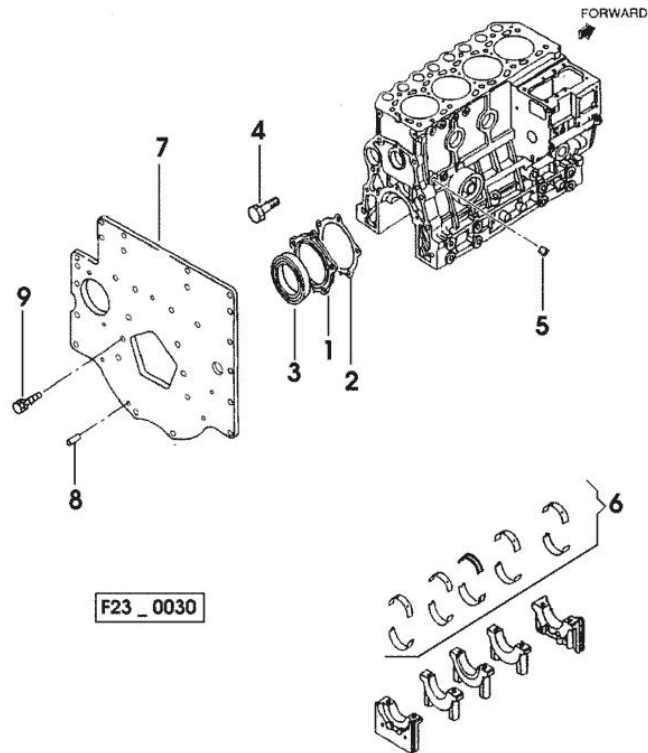


1	0.010.2648.1	4	screw
2	0.010.2651.2	4	gasket
3	0.010.2650.2	1	pipe fitting
4	0.010.2653.2	1	crankcase
			- X 35HP
4	0.010.2654.0	1	crankcase
			- X 45HP
5	0.010.2649.1	3	special bushing
6	0.009.4545.1	1	plug
7	0.009.4524.2	4	special bushing
8	0.009.4525.1	2	special bushing
9	0.009.4525.2	1	special bushing
10	0.009.4524.1	1	expansion plug
11	0.009.4524.0	1	pin
12	0.009.4523.0	2	pin
13	0.010.2650.0	1	pin
14	0.010.2650.1	1	ball
15	0.010.2649.0	1	plug
			- X 35HP
16	0.010.2651.0	2	pin
17	0.010.2651.1	1	plug
18	0.009.4523.2	1	guide
19	0.000.0000.1		cannot be supplied
20	0.010.2652.1	3	special bushing
21	0.010.2652.2	3	special bushing
22	0.010.2653.0	10	screw
23	0.010.2653.1	1	special bushing
24	0.010.2654.1	4	tube
			- X 45HP
25	0.010.2648.2	1	plug

Section: ENGINE  
**CRANKCASE**

Fig.	P/n	QTY	Name
------	-----	-----	------

Notes:  
 [PRINCE 445 ->5001]



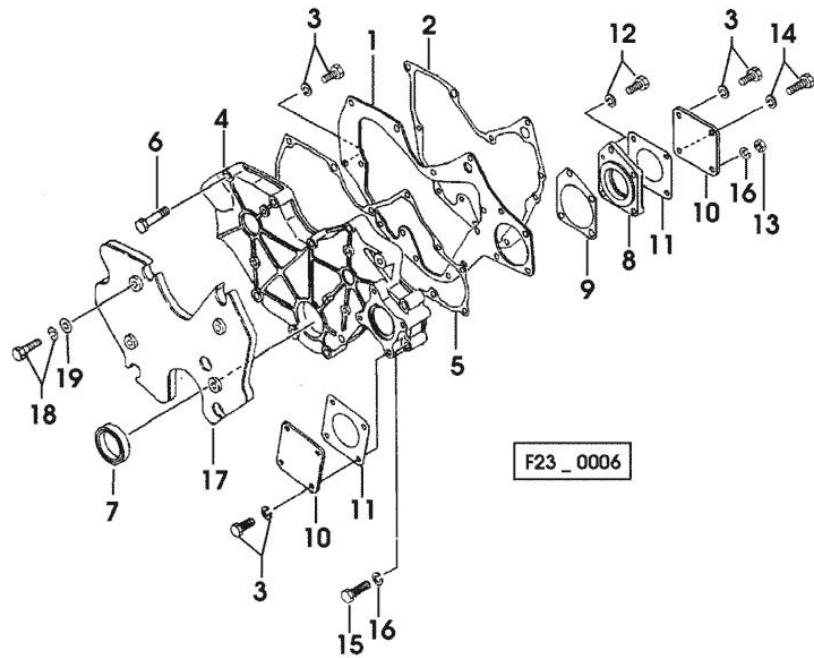
1	0.010.2654.2	1	flange
2	0.010.2655.0	1	gasket
3	0.010.2655.1	1	special oil seal
4	0.010.2655.2	5	screw
5	0.009.4530.0	1	plug
			- X 35HP
6	0.009.4531.0	1	main half bushing STANDARD
			- X 35HP
6	0.009.4531.1	1	main half bushing - mm 0.25
			- X 35HP
6	0.009.4531.2	1	main half bushing - mm 0.50
			- X 35HP
6	0.009.4532.0	1	main half bushing - mm 0.75
			- X 35HP
6	0.010.2656.2	1	main half bushing STANDARD
			- X 45HP
6	0.010.2657.0	1	main half bushing - mm 0.25
			- X 45HP
6	0.010.2657.1	1	main half bushing - mm 0.50
			- X 45HP
6	0.010.2657.2	1	main half bushing - mm 0.75
			- X 45HP
7	0.010.2656.0	1	flange
8	0.009.4532.2	1	pin
9	0.010.2656.1	6	screw

Section: ENGINE  
TIMING CASE

Fig.	P/n	QTY	Name
------	-----	-----	------

Notes:  
[PRINCE 445 ->5001]

1	0.010.2658.0	1	plate
2	0.010.2658.1	1	gasket
3	0.010.2639.1	10	screw
4	0.010.2658.2	1	flange
5	0.010.2659.0	1	gasket
6	0.010.2659.1	8	screw
7	0.010.2659.2	1	special oil seal
8	0.010.2660.0	1	flange
9	0.010.2660.1	1	gasket
10	0.009.4756.0	2	cover
11	0.010.2660.2	2	gasket
12	0.010.2661.0	1	screw
13	0.010.2661.1	2	nut
14	0.010.2661.2	1	screw
15	0.010.2662.0	2	screw
16	0.009.4539.2	2	spring washer
17	0.010.2662.1	1	cover
18	0.010.2662.2	4	screw
19	0.010.2663.0	4	washer



**<https://www.ebooklibonline.com>**

Hello dear friend!

Thank you very much for reading.

Enter the link into your browser.

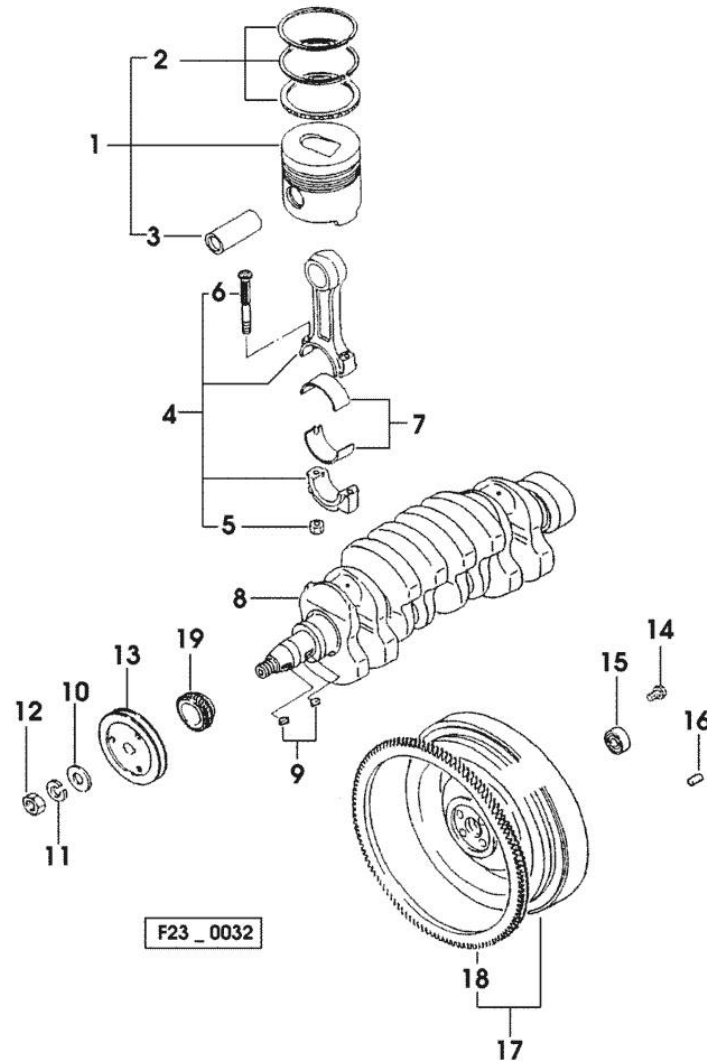
The full manual is available for immediate download.

**<https://www.ebooklibonline.com>**

Section: ENGINE  
**CRANKSHAFT**

Fig.	P/n	QTY	Name
------	-----	-----	------

Notes:  
 [PRINCE 445 ->5001]



1	0.007.0060.6	4	complete piston STANDARD - X 35HP
1	0.007.0061.6	4	complete piston + mm 0.25 - X 35HP
1	0.007.0062.6	4	complete piston + mm 0.50 - X 35HP
1	0.009.0060.6	4	complete piston STANDARD - X 45HP
1	0.009.0061.6	4	complete piston + mm 0.25 - X 45HP
1	0.009.0062.6	4	complete piston + mm 0.50 - X 45HP
2	0.008.0052.6	4	piston ring set STANDARD
2	0.008.0053.6	4	piston ring set + mm 0.25
2	0.008.0054.6	4	piston ring set + mm 0.50
3	0.010.2668.0	4	piston pin
4	0.010.2671.2	4	engine connecting rod
5	0.009.4783.0	8	nut
6	0.010.2668.2	8	screw
7	0.009.4782.1	4	con.rod half bushing STANDARD
7	0.010.2669.0	4	con.rod half bushing - mm 0.25
7	0.010.2669.1	4	con.rod half bushing - mm 0.50
7	0.010.2669.2	4	con.rod half bushing - mm 0.75
8	0.010.2672.0	1	crankshaft
9	0.009.4555.1	2	key
10	0.009.4554.2	1	flat washer
11	0.009.4555.0	1	spring washer
12	0.009.4554.1	1	nut
13	0.010.2672.1	1	pulley - X 35HP
13	0.010.2672.2	1	pulley - X 45HP
14	0.009.4557.0	4	screw
15	0.009.4556.1	1	special bearing
16	0.009.4556.2	3	pin
17	0.010.2673.0	1	flywheel
18	0.010.2671.0	1	crown wheel Z=110
19	0.010.2671.1	1	gear

Section: ENGINE

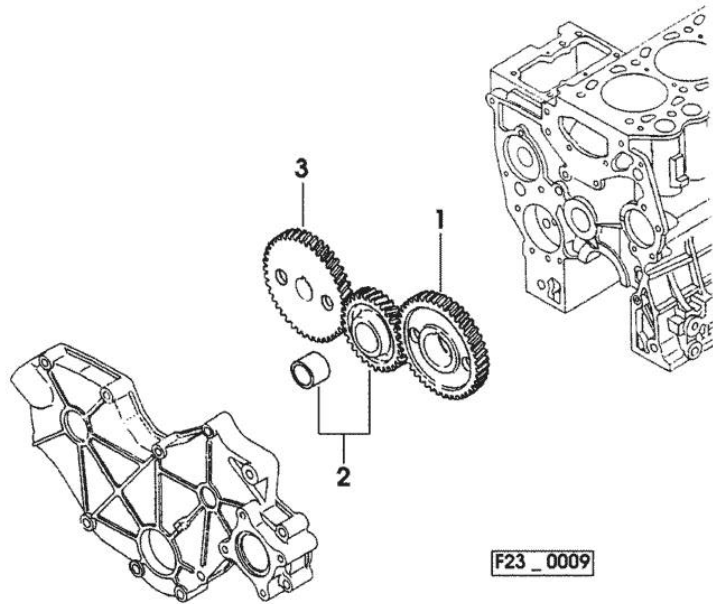
**CAMSHAFT**

Fig.	P/n	QTY	Name
------	-----	-----	------

**Notes:**

[PRINCE 445 ->5001]

1	0.010.2674.1	1	gear Z = 56
2	0.010.2674.2	1	gear Z = 56
2	0.010.2675.0	1	gear Z = 56 - EXPORT U.S.A.
3	0.010.2675.1	1	gear Z = 39



F23\_0009

Section: ENGINE

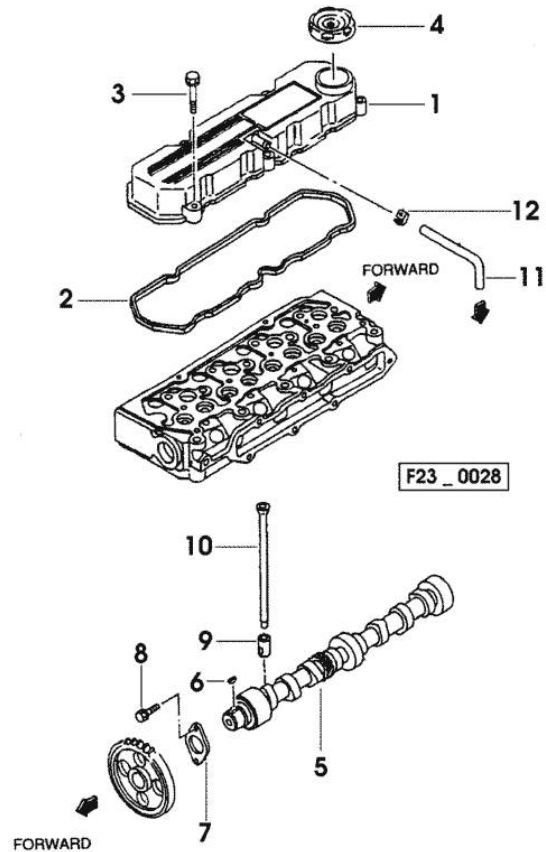
**CAMSHAFT**

Fig.	P/n	QTY	Name
------	-----	-----	------

**Notes:**

[PRINCE 445 ->5001]

1	0.010.2647.1	1	cover
2	0.010.2647.2	1	gasket
3	0.010.2645.2	5	screw
4	0.009.4548.0	1	plug
5	0.010.2648.0	1	camshaft
6	0.009.4555.1	1	key
7	0.010.2646.1	1	small plate
8	0.010.2639.1	2	screw
9	0.009.4562.2	8	tappets
10	0.010.2646.2	8	rod
11	0.009.4781.2	1	tube
			- X 45HP
11	0.010.2647.0	1	tube
			- X 35HP
12	0.010.2206.0	1	clamp
			- X 45HP



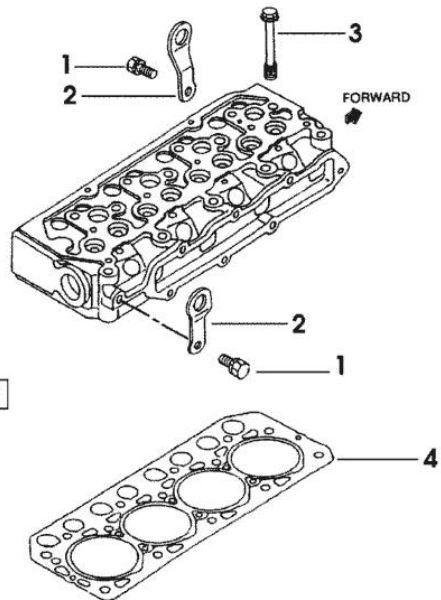
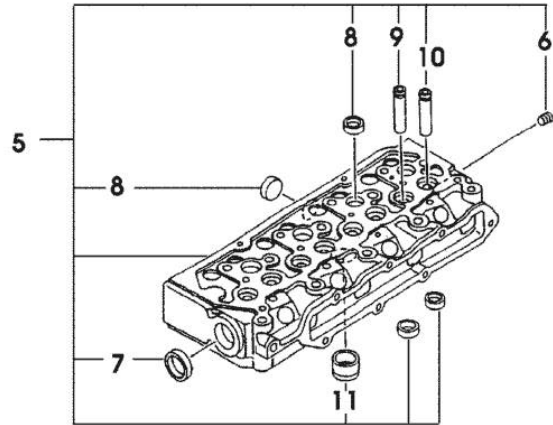


Section: ENGINE  
CYLINDER HEAD

Fig.	P/n	QTY	Name
------	-----	-----	------

Notes:  
[PRINCE 445 ->5001]

1	0.010.2633.0	2	screw
2	0.009.4541.2	2	bracket
3	0.010.2633.1	14	screw
4	0.010.2635.2	1	gasket
5	0.010.2636.0	1	engine head
6	0.009.4545.1	1	plug
7	0.010.2634.1	1	plug
8	0.010.2636.1	7	plug
9	0.010.2634.2	4	valve guide
10	0.010.2635.0	4	valve guide
11	0.010.2636.2	4	special bushing



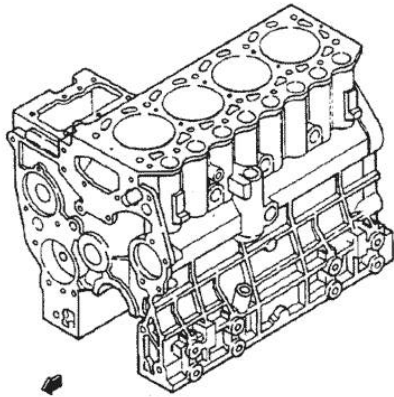
**OIL PAN**

Fig.	P/n	QTY	Name
------	-----	-----	------

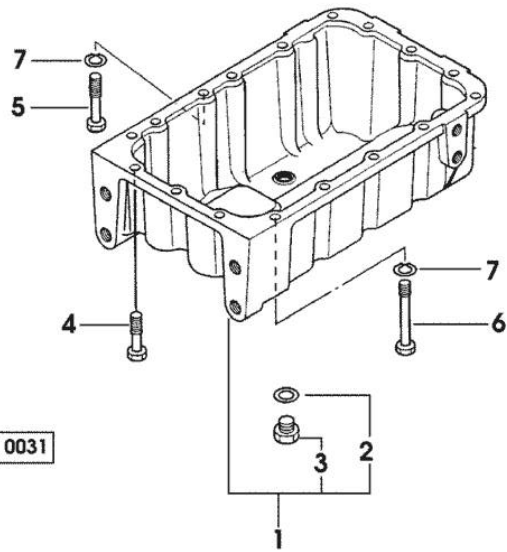
**Notes:**

[PRINCE 445 ->5001]

1	0.010.2665.2	1	oil sump
2	0.010.2663.2	1	gasket
3	0.010.2664.0	1	plug
4	0.010.2664.1	12	screw
5	0.010.2664.2	1	screw
6	0.010.2665.0	4	screw
7	0.010.2665.1	5	washer



FORWARD



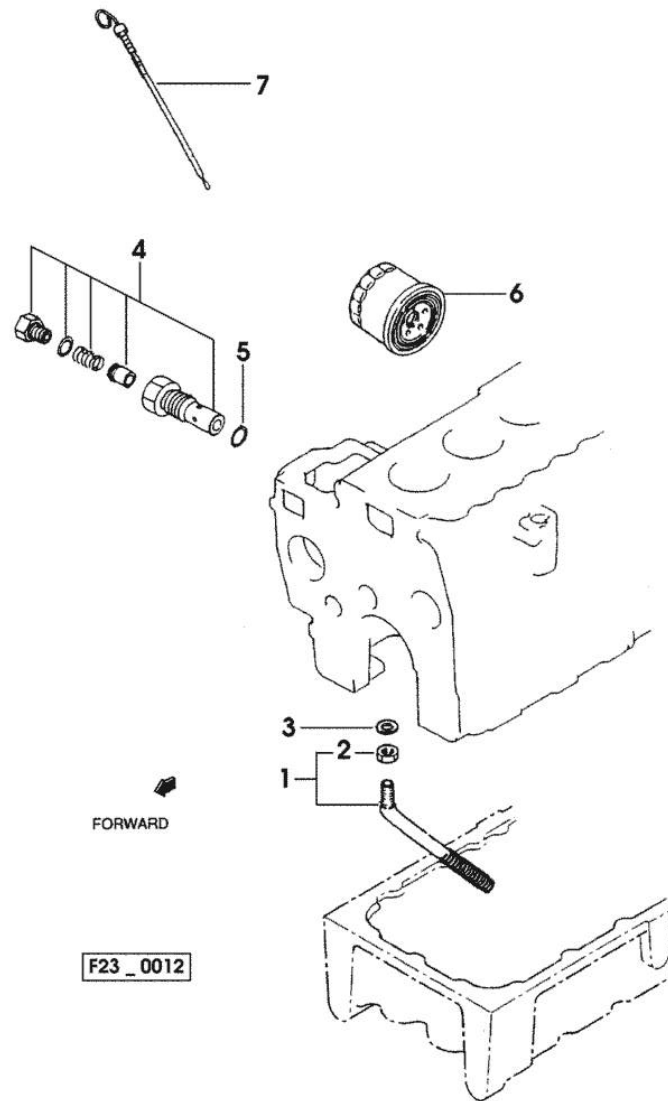
F23\_0031

Section: ENGINE  
**LUBRICATION**

Fig.	P/n	QTY	Name
------	-----	-----	------

Notes:  
 [PRINCE 445 ->5001]

1	0.010.2685.2	1	tube
2	0.009.4634.0	1	self-locking nut
3	0.009.4634.1	1	gasket
4	0.010.2686.0	1	valve
5	0.010.2686.1	1	gasket
6	0.009.4794.1	1	oil filter element - X 25HP - 35HP
6	0.010.2687.0	1	oil filter element - X 45HP
7	0.010.2687.1	1	dipstick



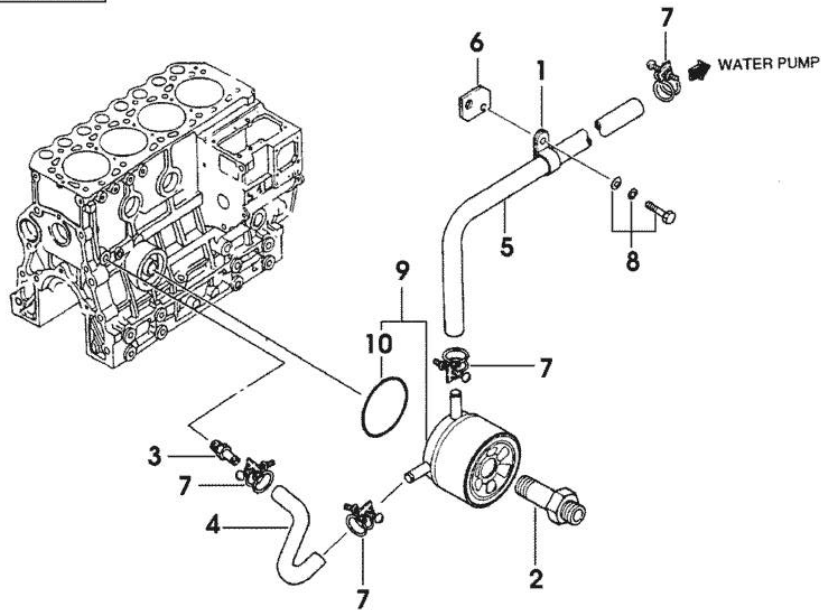
Section: ENGINE  
**LUBRICATION**

Fig.	P/n	QTY	Name
------	-----	-----	------

Notes:  
 [PRINCE 445 ->5001]

1	0.010.2687.2	1	clamp
2	0.010.2688.0	1	pipe fitting
3	0.010.2688.1	1	pipe fitting
4	0.010.2688.2	1	tube
5	0.010.2689.0	1	tube
6	0.010.2689.1	1	small plate
7	0.010.2689.2	4	clamp
8	0.010.2690.0	1	screw
9	0.010.2690.1	1	oil cooler
10	0.010.2690.2	1	special oil seal

F23\_0036

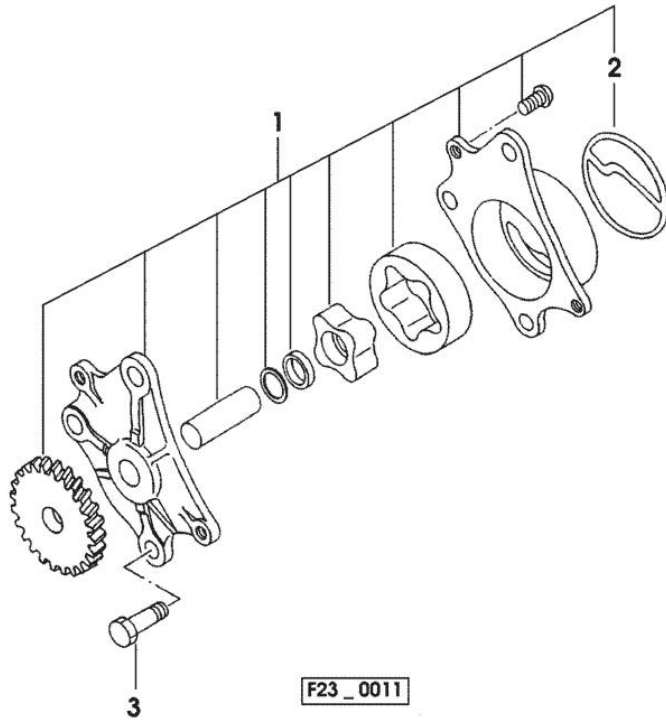


Section: ENGINE  
**LUBRICATION**

Fig.	P/n	QTY	Name
------	-----	-----	------

Notes:  
 [PRINCE 445 ->5001]

1	0.010.2684.2	1	oil pump
2	0.010.2685.0	1	gasket
3	0.010.2685.1	3	screw



Section: ENGINE

**FUEL SUPPLY SYSTEM**

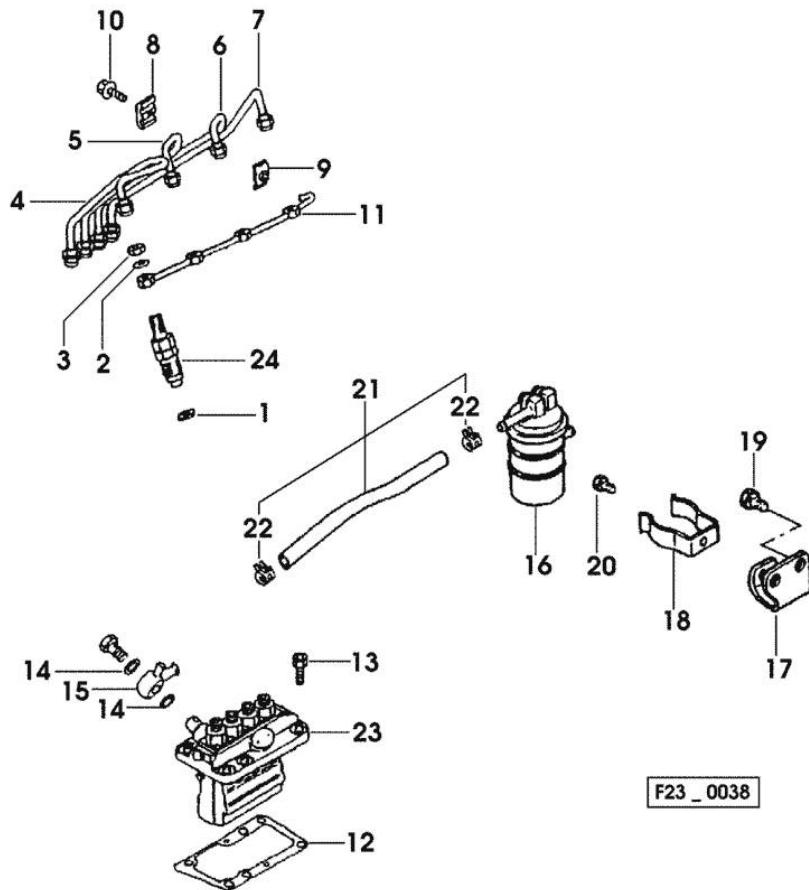


Fig.	P/n	QTY	Name
------	-----	-----	------

Notes:  
[PRINCE 445 ->5001]

1	0.010.2699.1	4	gasket
2	0.010.2699.2	4	gasket
3	0.010.2700.0	4	nut
4	0.010.2700.1	1	tube - X 35HP
4	0.010.2702.2	1	tube - X 45HP
5	0.010.2700.2	1	tube - X 35HP
5	0.010.2703.0	1	tube - X 45HP
6	0.010.2701.0	1	tube - X 35HP
6	0.010.2703.2	1	tube - X 45HP
7	0.010.2704.0	1	tube - X 35HP
7	0.010.2704.1	1	tube - X 45HP
8	0.009.4570.2	3	clamp
9	0.009.4571.0	3	clamp
10	0.010.2701.1	3	screw
11	0.010.2703.1	1	tube
12	0.009.4576.2		shim mm 0.20
12	0.009.4578.1		shim mm 0.7
12	0.009.4578.2		shim mm 0.8
12	0.009.4579.0		shim mm 0.9
12	0.009.4579.1		shim mm 1.0
13	0.010.2655.2	6	screw
14	0.009.4576.1	2	gasket
15	0.010.2704.2	1	pipe fitting
16	0.009.4575.0	1	fuel filter element - X 35HP
16	0.009.4784.1	1	fuel filter element - X 45HP
17	0.009.4575.2	1	support
18	0.009.4575.1	1	clamp
19	0.010.2639.1	2	screw
20	0.010.2705.0	1	screw
21	0.010.2705.1	1	tube - X 35HP



**Suggest:**

**For more complete manuals. Please go to the home page.**

**<https://www.ebooklibonline.com>**

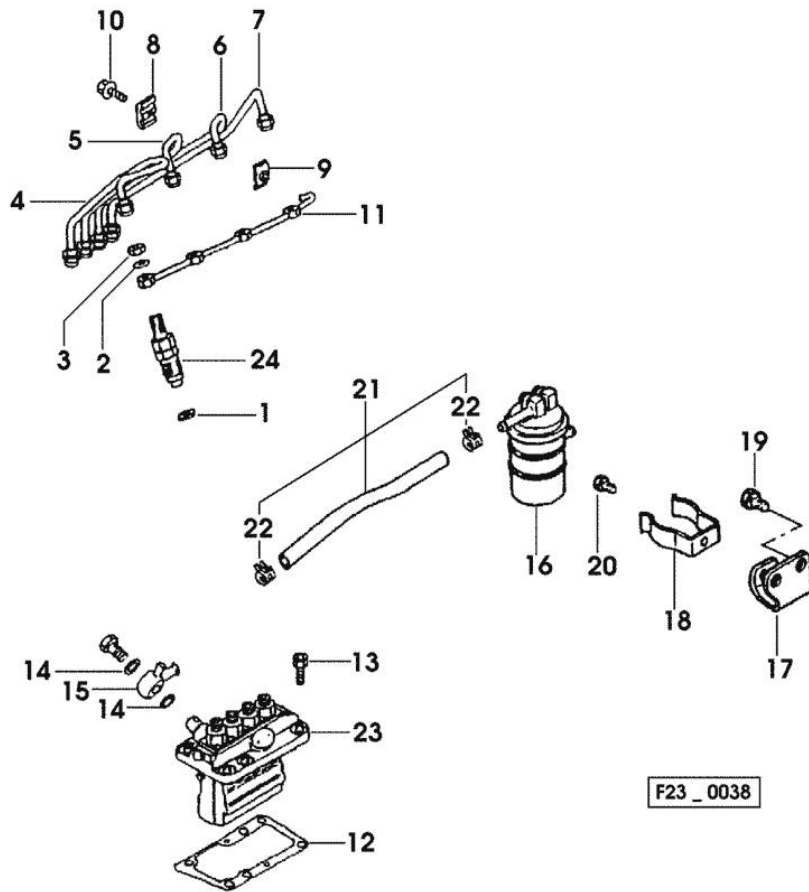
**If the above button click is invalid. Please download this document first, and then click the above link to download the complete manual.**

**Thank you so much for reading**

Section: ENGINE

**FUEL SUPPLY SYSTEM**

Fig.	P/n	QTY	Name
21	0.010.2705.2	1	tube - X 45HP
22	0.009.4572.1	2	clamp
23	0.010.2706.0	1	injector pump - X 35HP F 26
23	0.010.2706.1	1	injector pump - X 45HP F 27
24	0.010.2702.1	4	injector assembly F 24



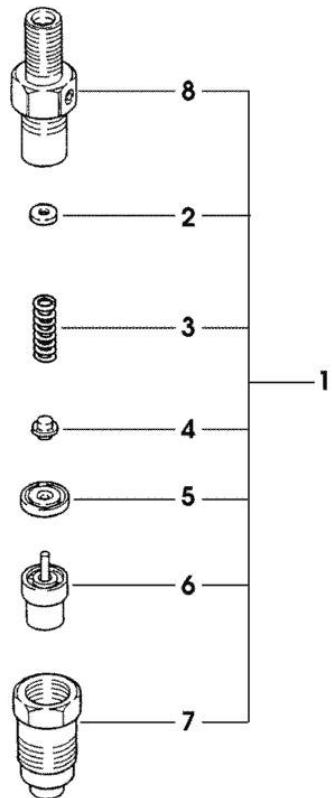
**INJECTOR NOZZLE HOLDER COMPONENTS**

Fig.	P/n	QTY	Name
------	-----	-----	------

**Notes:**

[PRINCE 445 ->5001]

1	0.010.2702.1	4	injector assembly
2	0.010.2706.2		shim mm 1.25
2	0.010.2707.0		shim mm 1.3
2	0.010.2707.1		shim mm 1.35
2	0.010.2707.2		shim mm 1.4
2	0.010.2708.0		shim mm 1.45
2	0.010.2708.1		shim mm 1.5
2	0.010.2708.2		shim mm 1.55
2	0.010.2709.0		shim mm 1.6
2	0.010.2709.1		shim mm 1.65
2	0.010.2709.2		shim mm 1.7
3	0.010.2710.0	4	spring
4	0.010.2710.1	4	cap-washer
5	0.010.2710.2	4	cap-washer
6	0.010.2711.0	4	nozzle
7	0.010.2711.1	4	nut
8	0.010.2711.2	4	body



F23\_0015

**<https://www.ebooklibonline.com>**

Hello dear friend!

Thank you very much for reading.

Enter the link into your browser.

The full manual is available for immediate download.

**<https://www.ebooklibonline.com>**