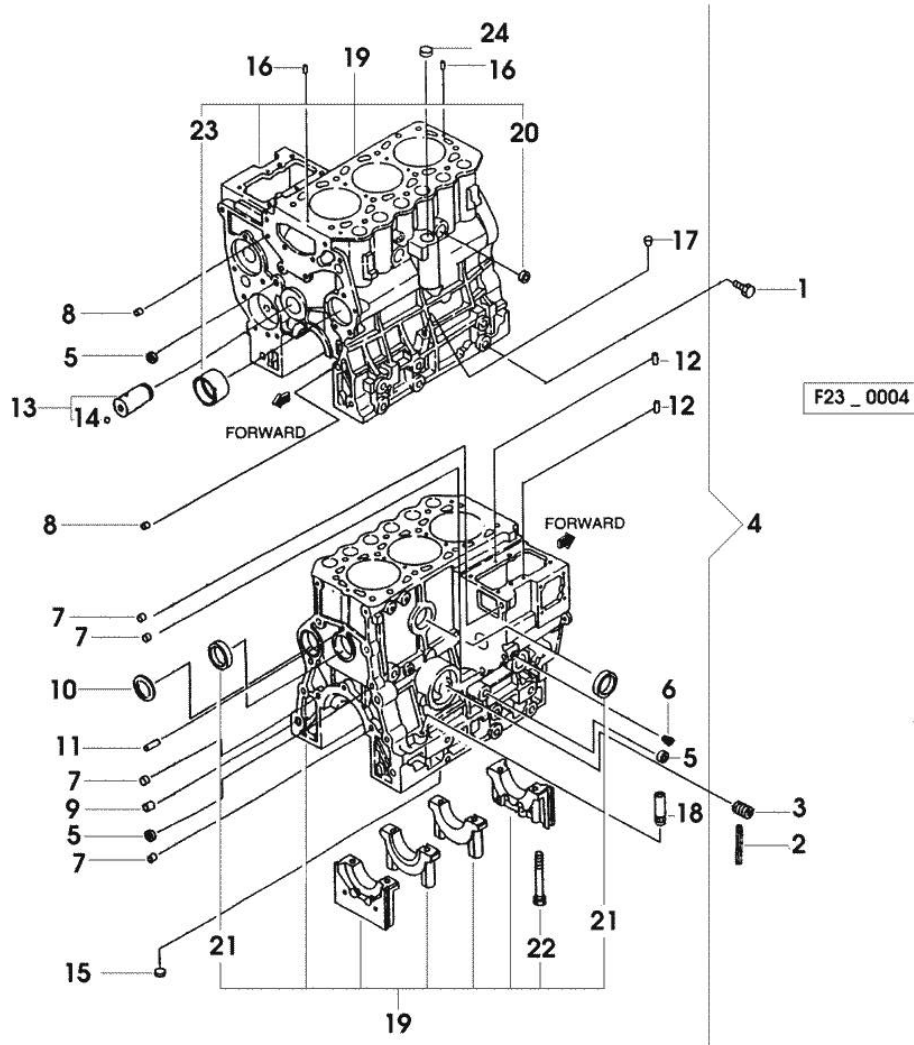


Section: ENGINE
CRANKCASE

| Fig. | P/n | QTY | Name |
|------|-----|-----|------|
|------|-----|-----|------|

Notes:
 [PRINCE 325 XV ->2001]

| | | | |
|----|--------------|---|--------------------|
| 1 | 0.010.2648.1 | 4 | screw |
| 2 | 0.010.2651.2 | 4 | gasket |
| 3 | 0.010.2650.2 | 1 | pipe fitting |
| 4 | 0.010.2652.0 | 1 | crankcase |
| 5 | 0.010.2649.1 | 3 | special bushing |
| 6 | 0.009.4545.1 | 1 | plug |
| 7 | 0.009.4524.2 | 4 | special bushing |
| 8 | 0.009.4525.1 | 2 | special bushing |
| 9 | 0.009.4525.2 | 1 | special bushing |
| 10 | 0.009.4524.1 | 1 | expansion plug |
| 11 | 0.009.4524.0 | 1 | pin |
| 12 | 0.009.4523.0 | 2 | pin |
| 13 | 0.010.2650.0 | 1 | pin |
| 14 | 0.010.2650.1 | 1 | ball |
| 15 | 0.010.2649.0 | 1 | plug |
| 16 | 0.010.2651.0 | 2 | pin |
| 17 | 0.010.2651.1 | 1 | plug |
| 18 | 0.009.4523.2 | 1 | guide |
| 19 | 0.000.0000.1 | | cannot be supplied |
| 20 | 0.010.2652.1 | 2 | special bushing |
| 21 | 0.010.2652.2 | 2 | special bushing |
| 22 | 0.010.2653.0 | 8 | screw |
| 23 | 0.010.2653.1 | 1 | special bushing |
| 24 | 0.010.2648.2 | 1 | plug |

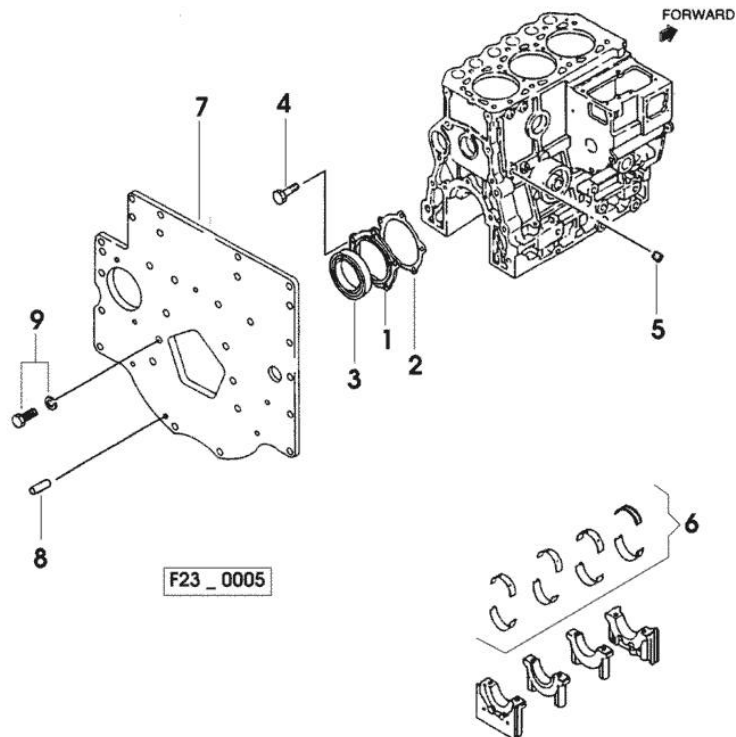


Section: ENGINE
CRANKCASE

| Fig. | P/n | QTY | Name |
|------|-----|-----|------|
|------|-----|-----|------|

Notes:
 [PRINCE 325 XV ->2001]

| | | | |
|---|--------------|---|-----------------------------|
| 1 | 0.010.2654.2 | 1 | flange |
| 2 | 0.010.2655.0 | 1 | gasket |
| 3 | 0.010.2655.1 | 1 | special oil seal |
| 4 | 0.010.2655.2 | 5 | screw |
| 5 | 0.009.4530.0 | 1 | plug |
| 6 | 0.009.4754.0 | 1 | main half bushing STANDARD |
| 6 | 0.009.4754.1 | 1 | main half bushing - mm 0.25 |
| 6 | 0.009.4754.2 | 1 | main half bushing - mm 0.50 |
| 6 | 0.009.4754.3 | 1 | main half bushing - mm 0.75 |
| 7 | 0.010.2656.0 | 1 | flange |
| 8 | 0.009.4532.2 | 1 | pin |
| 9 | 0.010.2656.1 | 6 | screw |

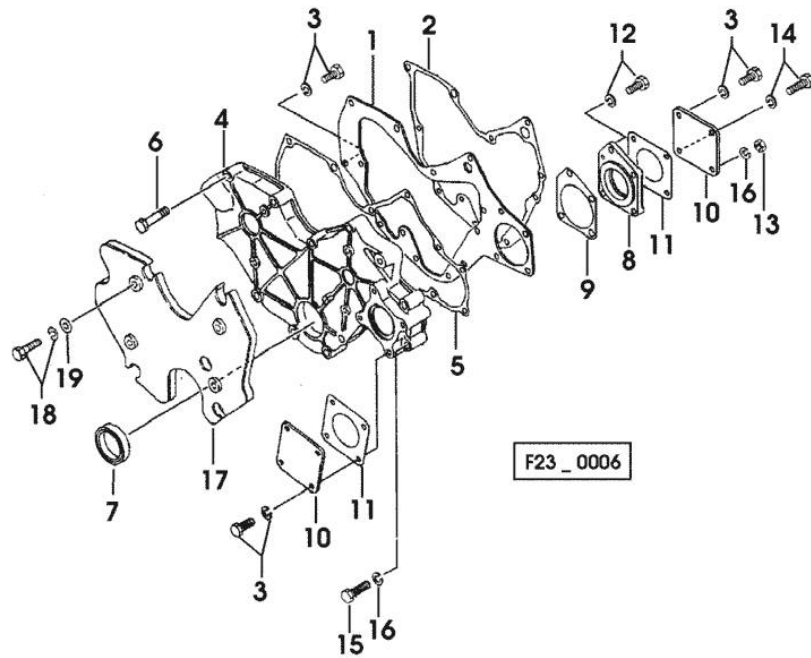


Section: ENGINE
TIMING CASE

| Fig. | P/n | QTY | Name |
|------|-----|-----|------|
|------|-----|-----|------|

Notes:
[PRINCE 325 XV ->2001]

| | | | |
|----|--------------|----|------------------|
| 1 | 0.010.2658.0 | 1 | plate |
| 2 | 0.010.2658.1 | 1 | gasket |
| 3 | 0.010.2639.1 | 10 | screw |
| 4 | 0.010.2658.2 | 1 | flange |
| 5 | 0.010.2659.0 | 1 | gasket |
| 6 | 0.010.2659.1 | 8 | screw |
| 7 | 0.010.2659.2 | 1 | special oil seal |
| 8 | 0.010.2660.0 | 1 | flange |
| 9 | 0.010.2660.1 | 1 | gasket |
| 10 | 0.009.4756.0 | 2 | cover |
| 11 | 0.010.2660.2 | 2 | gasket |
| 12 | 0.010.2661.0 | 1 | screw |
| 13 | 0.010.2661.1 | 2 | nut |
| 14 | 0.010.2661.2 | 1 | screw |
| 15 | 0.010.2662.0 | 2 | screw |
| 16 | 0.009.4539.2 | 2 | spring washer |
| 17 | 0.010.2662.1 | 1 | cover |
| 18 | 0.010.2662.2 | 4 | screw |
| 19 | 0.010.2663.0 | 4 | washer |



<https://www.ebooklibonline.com>

Hello dear friend!

Thank you very much for reading.

Enter the link into your browser.

The full manual is available for immediate download.

<https://www.ebooklibonline.com>

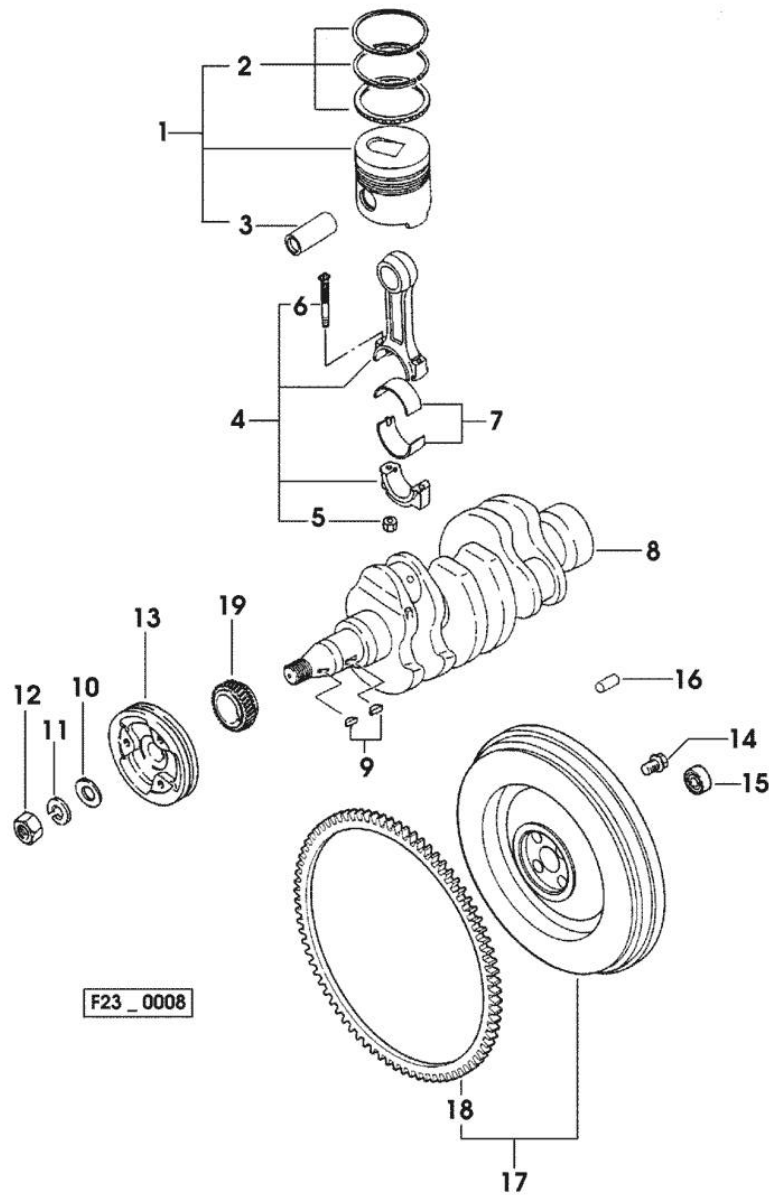
Section: ENGINE

CRANKSHAFT

| Fig. | P/n | QTY | Name |
|------|-----|-----|------|
|------|-----|-----|------|

Notes:
[PRINCE 325 XV ->2001]

| | | | |
|----|--------------|---|--------------------------------|
| 1 | 0.007.0060.6 | 3 | complete piston STANDARD |
| 1 | 0.007.0061.6 | 3 | complete piston + mm 0.25 |
| 1 | 0.007.0062.6 | 3 | complete piston + mm 0.50 |
| 2 | 0.008.0052.6 | 3 | piston ring set STANDARD |
| 2 | 0.008.0053.6 | 3 | piston ring set + mm 0.25 |
| 2 | 0.008.0054.6 | 3 | piston ring set + mm 0.50 |
| 3 | 0.010.2668.0 | 3 | piston pin |
| 4 | 0.010.2668.1 | 3 | engine connecting rod |
| 5 | 0.009.4783.0 | 6 | nut |
| 6 | 0.010.2668.2 | 6 | screw |
| 7 | 0.009.4782.1 | 3 | con.rod half bushing STANDARD |
| 7 | 0.010.2669.0 | 3 | con.rod half bushing - mm 0.25 |
| 7 | 0.010.2669.1 | 3 | con.rod half bushing - mm 0.50 |
| 7 | 0.010.2669.2 | 3 | con.rod half bushing - mm 0.75 |
| 8 | 0.010.2670.0 | 1 | crankshaft |
| 9 | 0.009.4555.1 | 2 | key |
| 10 | 0.009.4554.2 | 1 | flat washer |
| 11 | 0.009.4555.0 | 1 | spring washer |
| 12 | 0.009.4554.1 | 1 | nut |
| 13 | 0.010.2670.1 | 1 | pulley |
| 14 | 0.009.4557.0 | 4 | screw |
| 15 | 0.009.4556.1 | 1 | special bearing |
| 16 | 0.009.4556.2 | 3 | pin |
| 17 | 0.010.2670.2 | 1 | flywheel |
| 18 | 0.010.2671.0 | 1 | crown wheel Z=110 |
| 19 | 0.010.2671.1 | 1 | gear |



Section: ENGINE

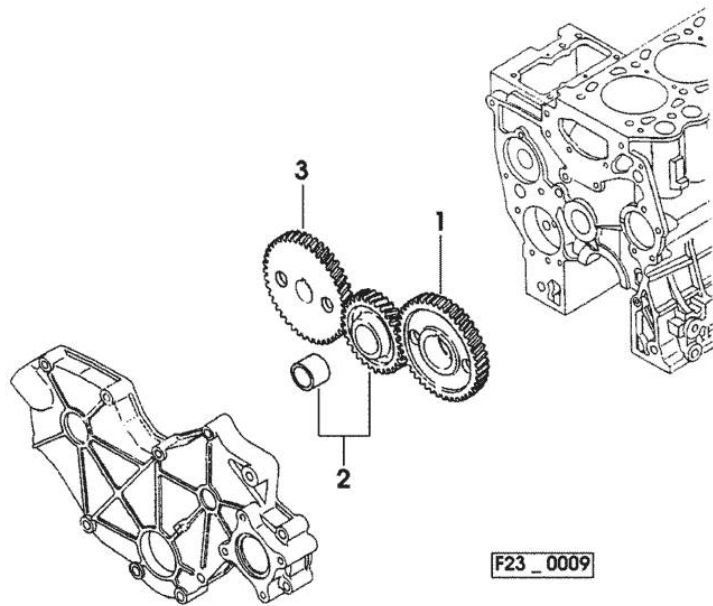
CAMSHAFT

| Fig. | P/n | QTY | Name |
|------|-----|-----|------|
|------|-----|-----|------|

Notes:

[PRINCE 325 XV ->2001]

| | | | |
|---|--------------|---|--------------------------------|
| 1 | 0.010.2674.1 | 1 | gear Z = 56 |
| 2 | 0.010.2674.2 | 1 | gear Z = 56 |
| 2 | 0.010.2675.0 | 1 | gear Z = 56 - EXPORT U.S.A. |
| 3 | 0.010.2675.1 | 1 | gear Z = 39 |



Section: ENGINE

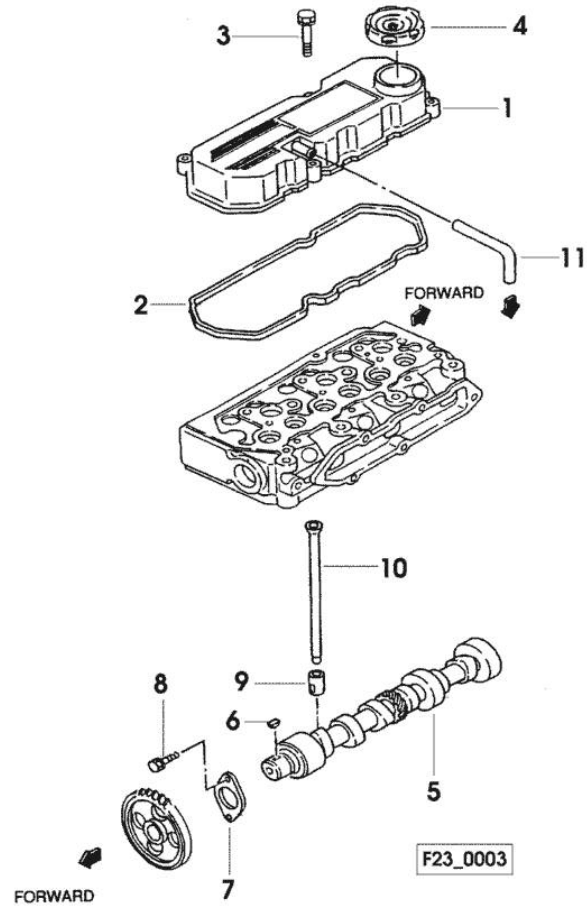
CAMSHAFT

| Fig. | P/n | QTY | Name |
|------|-----|-----|------|
|------|-----|-----|------|

Notes:

[PRINCE 325 XV ->2001]

| | | | |
|----|--------------|---|-------------|
| 1 | 0.010.2644.2 | 1 | cover |
| 2 | 0.010.2645.1 | 1 | gasket |
| 3 | 0.010.2645.2 | 4 | screw |
| 4 | 0.009.4548.0 | 1 | plug |
| 5 | 0.010.2646.0 | 1 | camshaft |
| 6 | 0.009.4555.1 | 1 | key |
| 7 | 0.010.2646.1 | 1 | small plate |
| 8 | 0.010.2639.1 | 2 | screw |
| 9 | 0.009.4562.2 | 6 | tappets |
| 10 | 0.010.2646.2 | 6 | rod |
| 11 | 0.010.2647.0 | 1 | tube |

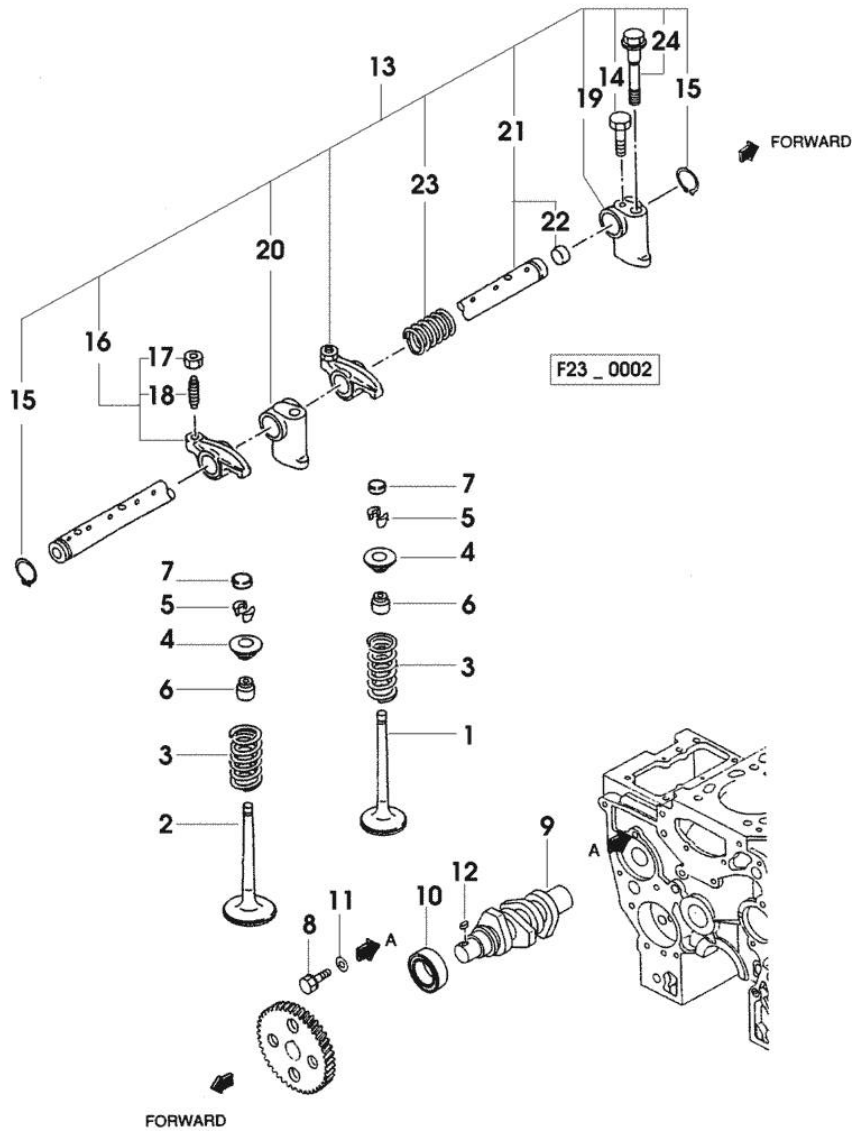


Section: ENGINE
CYLINDER HEAD

| Fig. | P/n | QTY | Name |
|------|-----|-----|------|
|------|-----|-----|------|

Notes:
[PRINCE 325 XV ->2001]

| | | | |
|----|--------------|----|------------------------|
| 1 | 0.010.2637.2 | 3 | inlet valve Ø mm 6.5 |
| 2 | 0.010.2638.0 | 3 | exhaust valve Ø mm 6.5 |
| 3 | 0.010.2638.1 | 6 | spring |
| 4 | 0.010.2638.2 | 6 | cup |
| 5 | 0.009.4561.2 | 12 | stop |
| 6 | 0.009.4562.0 | 6 | gasket |
| 7 | 0.010.2639.0 | 6 | cap |
| 8 | 0.010.2639.1 | 1 | screw |
| 9 | 0.010.2639.2 | 1 | camshaft |
| 10 | 0.009.4567.0 | 1 | special bearing |
| 11 | 0.009.4566.0 | 1 | washer |
| 12 | 0.009.4567.2 | 1 | stick |
| 13 | 0.010.2640.0 | 1 | shaft |
| 14 | 0.010.2640.1 | 1 | screw |
| 15 | 0.009.4559.0 | 2 | ring |
| 16 | 0.010.2640.2 | 6 | rocker arm |
| 17 | 0.010.2641.0 | 6 | nut |
| 18 | 0.010.2641.2 | 6 | screw |
| 19 | 0.010.2642.0 | 1 | support |
| 20 | 0.010.2642.1 | 2 | support |
| 21 | 0.010.2642.2 | 1 | shaft |
| 22 | 0.010.2643.0 | 2 | plug |
| 23 | 0.010.2643.1 | 2 | spring |
| 24 | 0.010.2643.2 | 3 | screw |

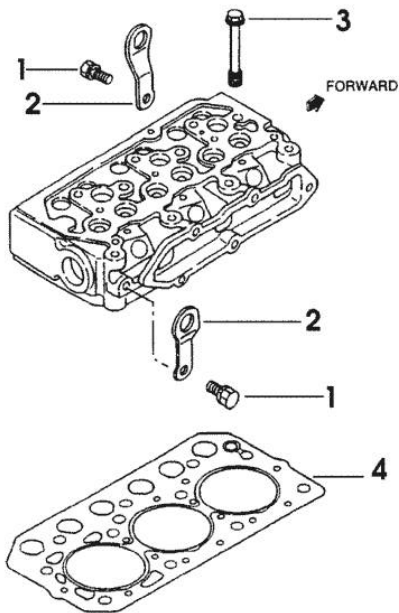
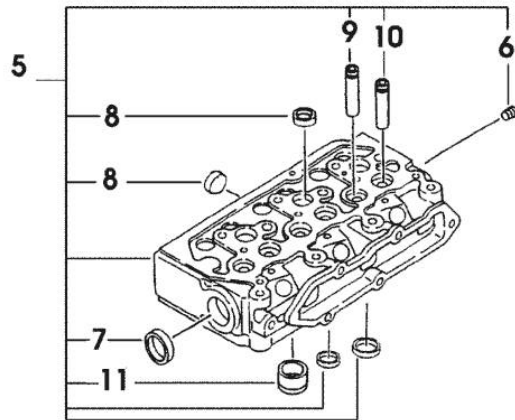


Section: ENGINE
CYLINDER HEAD

| Fig. | P/n | QTY | Name |
|------|-----|-----|------|
|------|-----|-----|------|

Notes:
[PRINCE 325 XV ->2001]

| | | | |
|----|--------------|----|-----------------|
| 1 | 0.010.2633.0 | 2 | screw |
| 2 | 0.009.4541.2 | 2 | bracket |
| 3 | 0.010.2633.1 | 11 | screw |
| 4 | 0.010.2633.2 | 1 | gasket |
| 5 | 0.010.2634.0 | 1 | engine head |
| 6 | 0.009.4545.1 | 1 | plug |
| 7 | 0.010.2634.1 | 1 | plug |
| 8 | 0.009.4527.0 | 5 | plug |
| 9 | 0.010.2634.2 | 3 | valve guide |
| 10 | 0.010.2635.0 | 3 | valve guide |
| 11 | 0.010.2635.1 | 3 | special bushing |



F23_0001

Section: ENGINE

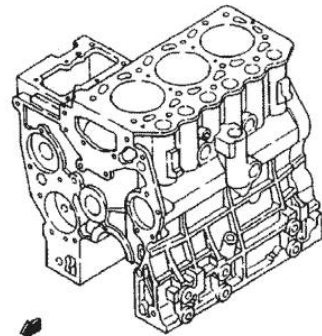
OIL PAN

| Fig. | P/n | QTY | Name |
|------|-----|-----|------|
|------|-----|-----|------|

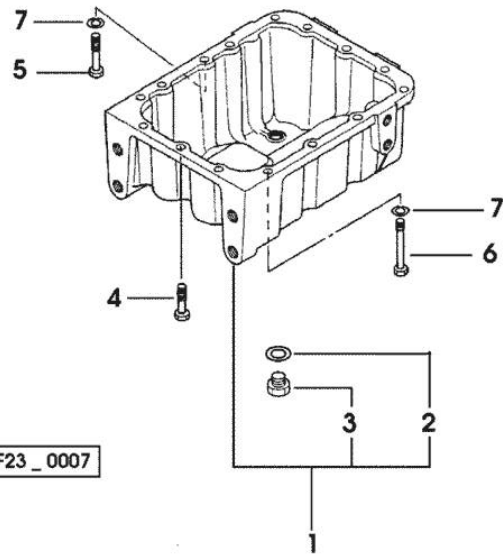
Notes:

[PRINCE 325 XV ->2001]

| | | | |
|---|--------------|----|----------|
| 1 | 0.010.2663.1 | 1 | oil sump |
| 2 | 0.010.2663.2 | 1 | gasket |
| 3 | 0.010.2664.0 | 1 | plug |
| 4 | 0.010.2664.1 | 10 | screw |
| 5 | 0.010.2664.2 | 1 | screw |
| 6 | 0.010.2665.0 | 4 | screw |
| 7 | 0.010.2665.1 | 5 | washer |



FORWARD





Suggest:

For more complete manuals. Please go to the home page.

<https://www.ebooklibonline.com>

If the above button click is invalid. Please download this document first, and then click the above link to download the complete manual.

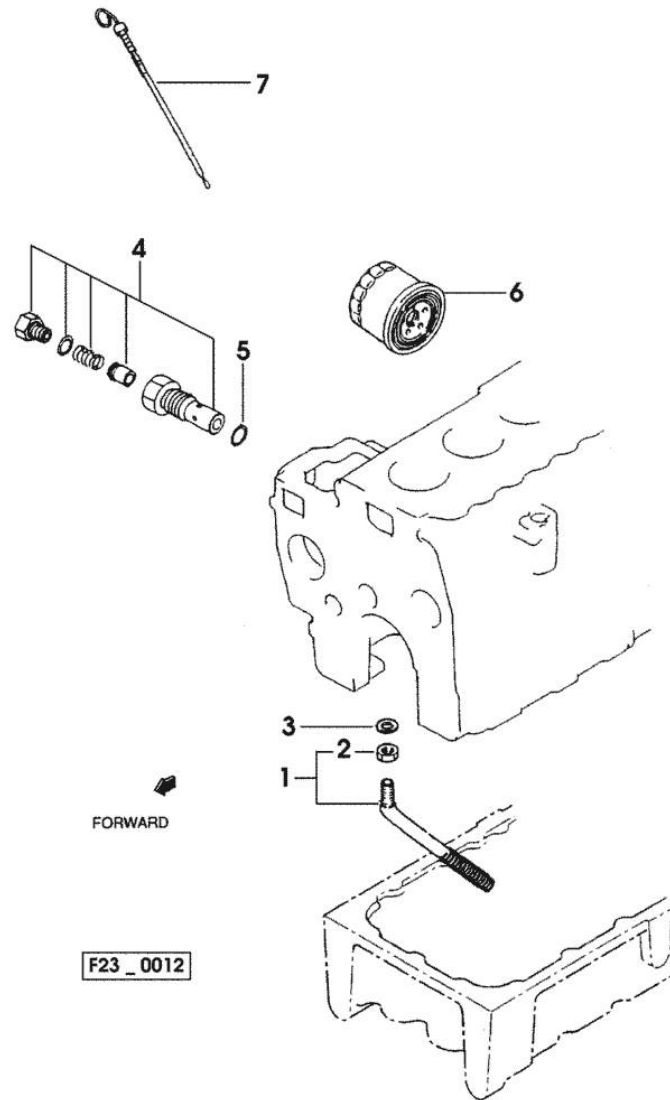
Thank you so much for reading

Section: ENGINE
LUBRICATION

| Fig. | P/n | QTY | Name |
|------|-----|-----|------|
|------|-----|-----|------|

Notes:
 [PRINCE 325 XV ->2001]

| | | | |
|---|--------------|---|---------------------------------------|
| 1 | 0.010.2685.2 | 1 | tube |
| 2 | 0.009.4634.0 | 1 | self-locking nut |
| 3 | 0.009.4634.1 | 1 | gasket |
| 4 | 0.010.2686.0 | 1 | valve |
| 5 | 0.010.2686.1 | 1 | gasket |
| 6 | 0.009.4794.1 | 1 | oil filter element - X 25HP - 35HP |
| 6 | 0.010.2687.0 | 1 | oil filter element - X 45HP |
| 7 | 0.010.2687.1 | 1 | dipstick |

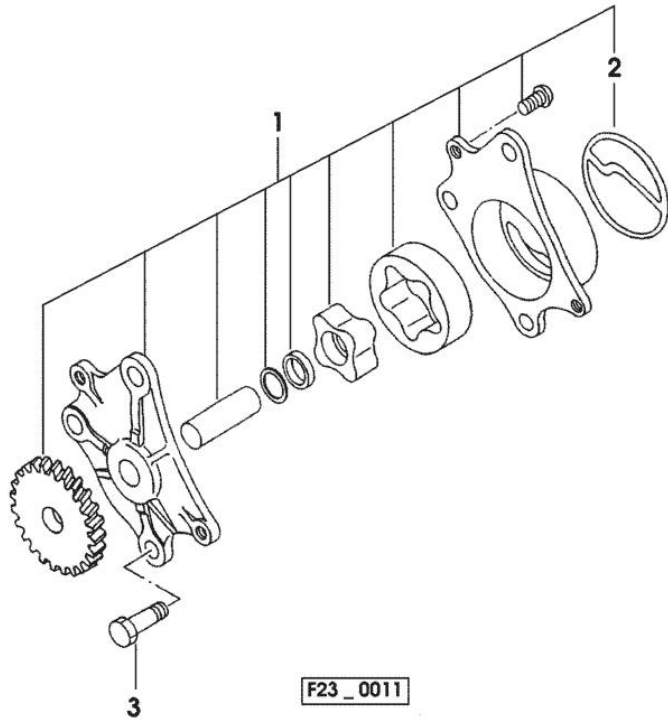


Section: ENGINE
LUBRICATION

| Fig. | P/n | QTY | Name |
|------|-----|-----|------|
|------|-----|-----|------|

Notes:
 [PRINCE 325 XV ->2001]

| | | | |
|---|--------------|---|----------|
| 1 | 0.010.2684.2 | 1 | oil pump |
| 2 | 0.010.2685.0 | 1 | gasket |
| 3 | 0.010.2685.1 | 3 | screw |



<https://www.ebooklibonline.com>

Hello dear friend!

Thank you very much for reading.

Enter the link into your browser.

The full manual is available for immediate download.

<https://www.ebooklibonline.com>