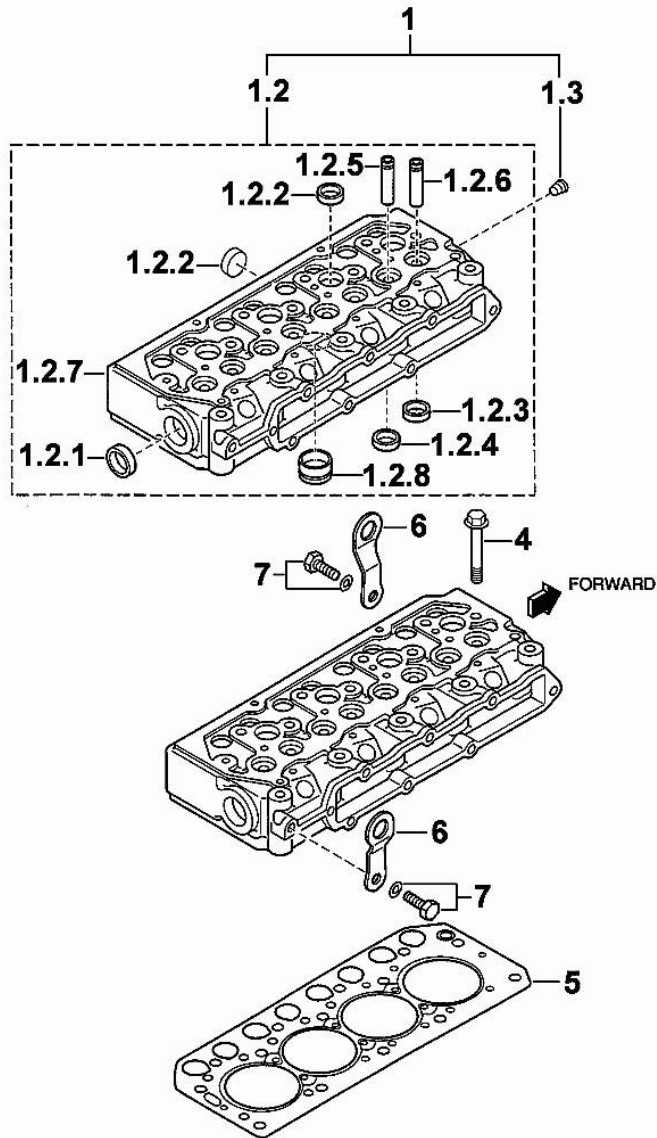


Section: B0 - ENGINE
CYLINDER HEAD



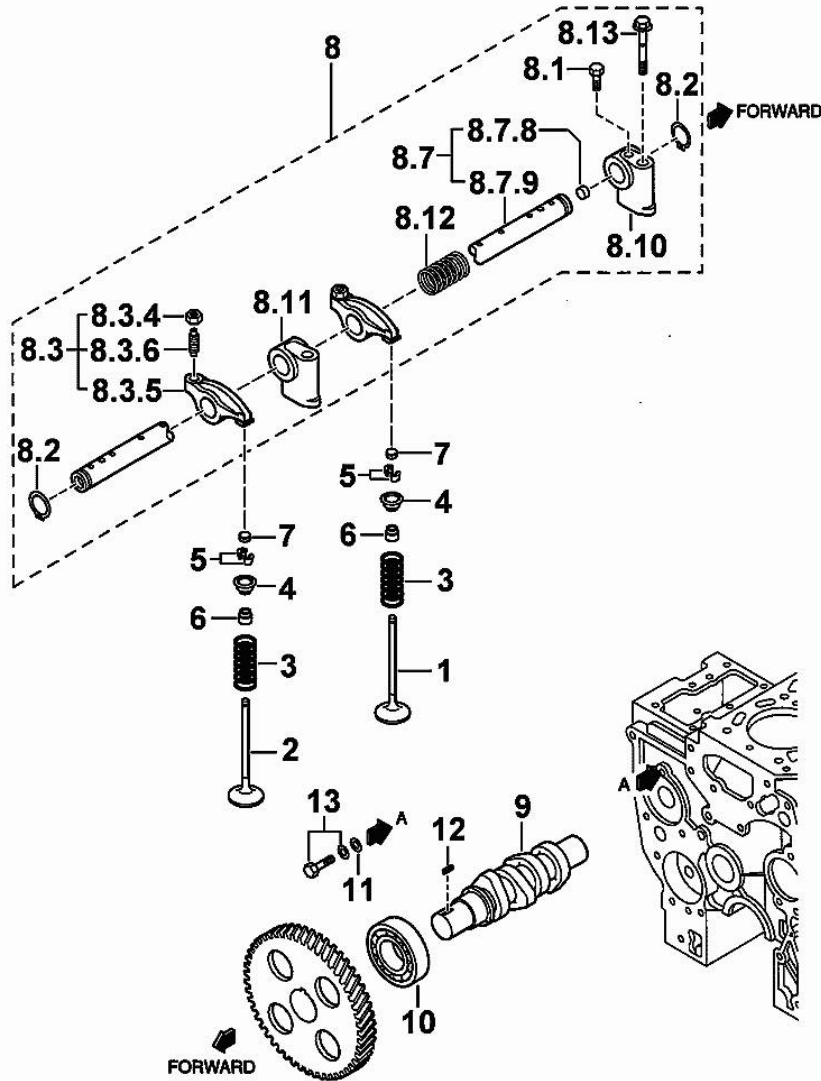
| Fig. | P/n | QTY | Name |
|-------|--------------|-----|--------------------|
| 1 | 0.010.3986.1 | 1 | engine head |
| 1.2 | 0.000.0000.1 | | cannot be supplied |
| 1.2.1 | 0.010.2634.1 | 1 | plug |
| 1.2.2 | 0.009.4527.0 | 7 | plug |
| 1.2.3 | 0.000.0000.1 | | cannot be supplied |
| 1.2.4 | 0.000.0000.1 | | cannot be supplied |
| 1.2.5 | 0.010.2634.2 | 4 | valve guide |
| 1.2.6 | 0.010.2635.0 | 4 | valve guide |
| 1.2.7 | 0.000.0000.1 | | cannot be supplied |
| 1.2.8 | 0.010.2636.2 | 4 | special bushing |
| 1.3 | 0.009.4545.1 | 1 | plug |
| 4 | 0.010.2633.1 | 14 | screw |
| 5 | 0.010.2635.2 | 1 | gasket |
| 6 | 0.009.4541.2 | 2 | bracket |
| 7 | 0.010.2633.0 | 2 | screw |

MIT_H36_003-A-001

01011-001E 47CV

CYLINDER HEAD

| Fig. | P/n | QTY | Name |
|-------|--------------|-----|------------------------|
| 1 | 0.010.2637.2 | 4 | inlet valve Ø mm 6.5 |
| 2 | 0.010.2638.0 | 4 | exhaust valve Ø mm 6.5 |
| 3 | 0.010.2638.1 | 8 | spring |
| 4 | 0.000.0000.1 | 8 | cannot be supplied |
| 5 | 0.009.4561.2 | 16 | stop |
| 6 | 0.009.4562.0 | 8 | gasket |
| 7 | 0.010.2639.0 | 8 | cap |
| 8 | 0.000.0000.1 | 1 | cannot be supplied |
| 8.1 | 0.010.2640.1 | 1 | screw |
| 8.2 | 0.009.4559.0 | 2 | ring |
| 8.3 | 0.010.3949.0 | 8 | rocker arm |
| 8.3.4 | 0.010.2641.0 | 8 | nut |
| 8.3.5 | 0.000.0000.1 | | cannot be supplied |
| 8.3.6 | 0.010.3949.1 | 8 | register |
| 8.7 | 0.010.2644.1 | 1 | shaft |
| 8.7.8 | 0.010.2643.0 | 2 | plug |
| 8.7.9 | 0.000.0000.1 | | cannot be supplied |
| 8.10 | 0.010.2642.0 | 1 | support |
| 8.11 | 0.010.2642.1 | 3 | support |
| 8.12 | 0.010.2643.1 | 3 | spring |
| 8.13 | 0.010.2643.2 | 4 | screw |
| 9 | 0.010.2644.0 | 1 | camshaft |
| 10 | 0.009.4567.0 | 1 | special bearing |
| 11 | 0.009.4566.0 | 1 | washer |
| 12 | 0.009.4567.2 | 1 | stick |
| 13 | 0.010.2639.1 | 1 | screw |



MIT_H36_004-A-001

01021-013E

<https://www.ebooklibonline.com>

Hello dear friend!

Thank you very much for reading.

Enter the link into your browser.

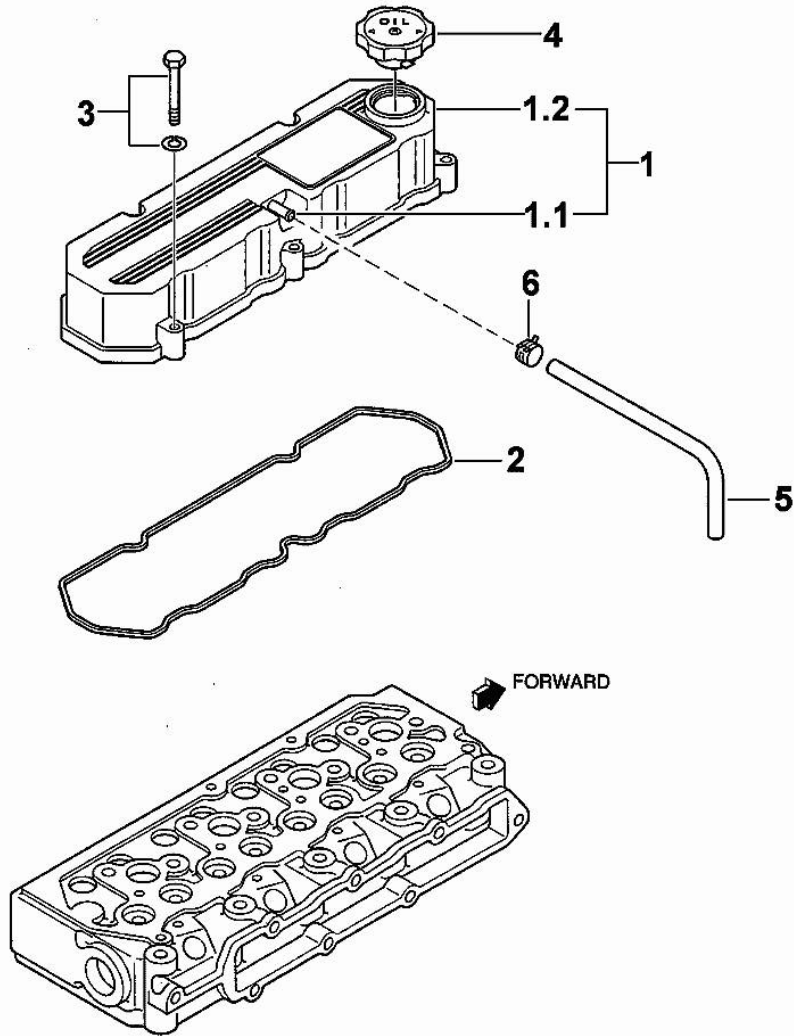
The full manual is available for immediate download.

<https://www.ebooklibonline.com>

Section: B0 - ENGINE

CYLINDER HEAD

| Fig. | P/n | QTY | Name |
|------|--------------|-----|--------------------|
| 1 | 0.010.2647.1 | 1 | cover |
| 1.1 | 0.000.0000.1 | | cannot be supplied |
| 1.2 | 0.000.0000.1 | | cannot be supplied |
| 2 | 0.010.2647.2 | 1 | gasket |
| 3 | 0.010.2645.2 | 5 | screw |
| 4 | 0.009.4548.0 | 1 | plug |
| 5 | 0.009.4781.2 | 1 | tube |
| 6 | 0.010.2206.0 | 1 | clamp |

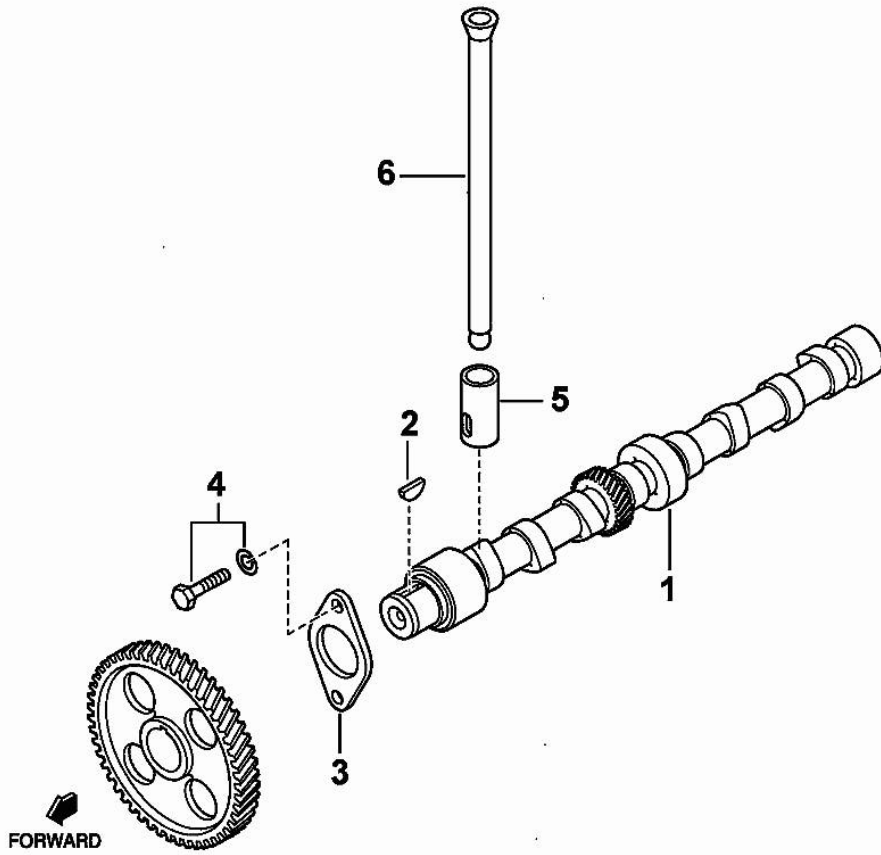


MIT_H36_006-A-001

01031-015E

CAMSHAFT

| Fig. | P/n | QTY | Name |
|------|--------------|-----|-------------|
| 1 | 0.010.3949.2 | 1 | camshaft |
| 2 | 0.009.4555.1 | 1 | key |
| 3 | 0.010.3950.0 | 1 | small plate |
| 4 | 0.010.2639.1 | 2 | screw |
| 5 | 0.010.3950.1 | 8 | tappets |
| 6 | 0.010.2646.2 | 8 | rod |

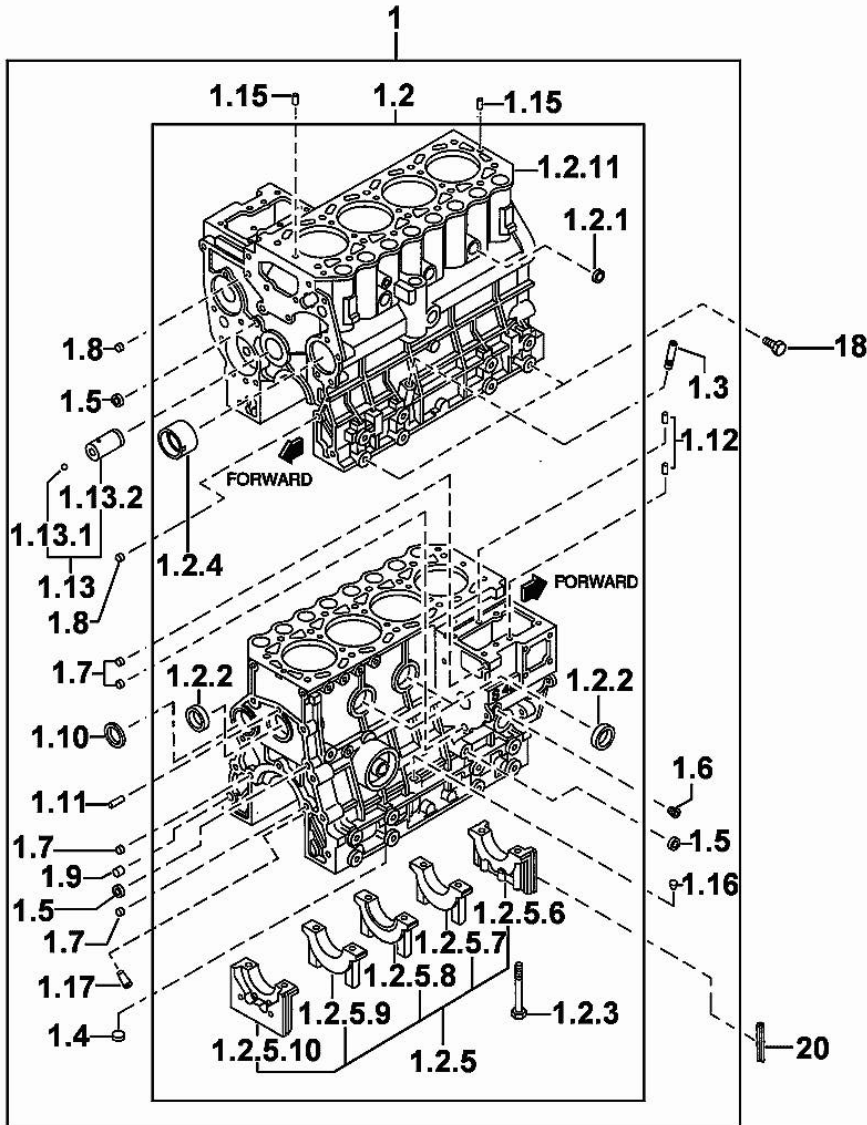


01031-016E

MIT_H36_007-A-001

CRANKCASE

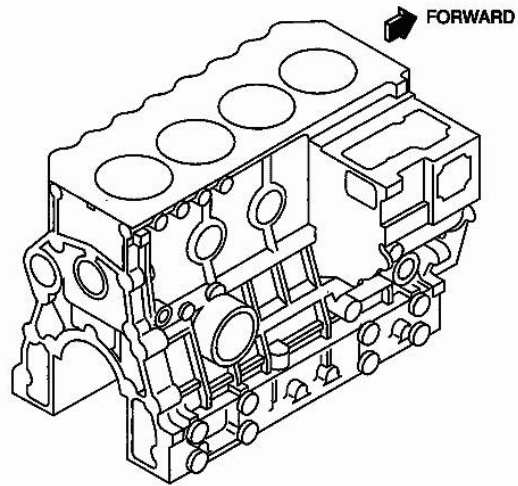
| Fig. | P/n | QTY | Name |
|----------|--------------|-----|--------------------|
| 1 | 0.010.3986.2 | 1 | crankcase |
| 1.2 | 0.000.0000.1 | | cannot be supplied |
| 1.2.1 | 0.010.2652.1 | 3 | special bushing |
| 1.2.2 | 0.010.2652.2 | 3 | special bushing |
| 1.2.3 | 0.010.2653.0 | 10 | screw |
| 1.2.4 | 0.010.2653.1 | 1 | special bushing |
| 1.2.5 | 0.000.0000.1 | | cannot be supplied |
| 1.2.5.6 | 0.000.0000.1 | | cannot be supplied |
| 1.2.5.7 | 0.000.0000.1 | | cannot be supplied |
| 1.2.5.8 | 0.000.0000.1 | | cannot be supplied |
| 1.2.5.9 | 0.000.0000.1 | | cannot be supplied |
| 1.2.5.10 | 0.000.0000.1 | | cannot be supplied |
| 1.2.11 | 0.000.0000.1 | | cannot be supplied |
| 1.3 | 0.009.4523.2 | 1 | guide |
| 1.4 | 0.010.2649.0 | 1 | plug |
| 1.5 | 0.010.2649.1 | 3 | special bushing |
| 1.6 | 0.009.4545.1 | 1 | plug |
| 1.7 | 0.009.4524.2 | 4 | special bushing |
| 1.8 | 0.009.4525.1 | 2 | special bushing |
| 1.9 | 0.009.4525.2 | 1 | special bushing |
| 1.10 | 0.009.4524.1 | 1 | expansion plug |
| 1.11 | 0.010.3951.0 | 1 | pin |
| 1.12 | 0.009.4523.0 | 2 | pin |
| 1.13 | 0.010.2650.0 | 1 | pin |
| 1.13.1 | 0.010.2650.1 | 1 | ball |
| 1.13.2 | 0.000.0000.1 | | cannot be supplied |
| 1.15 | 0.010.2651.0 | 2 | pin |
| 1.16 | 0.010.2651.1 | 1 | plug |
| 1.17 | 0.010.3961.2 | 4 | sprayers |
| 18 | 0.010.2648.1 | 4 | screw |
| 20 | 0.010.2651.2 | 4 | gasket |



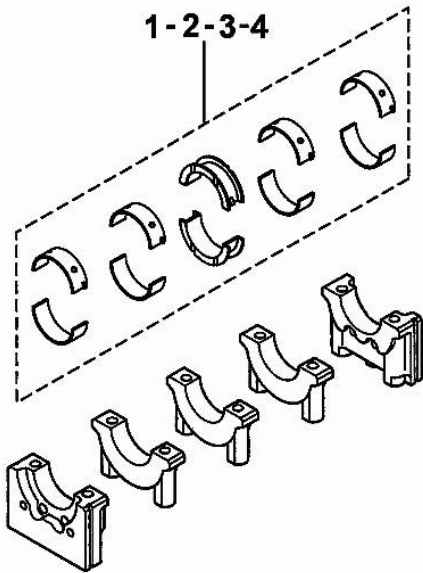
MIT_H36_010-A-001

01041-019E 47CV

MAIN BEARINGS



| Fig. | P/n | QTY | Name |
|------|--------------|-----|-----------------------------|
| 1 | 0.010.2656.2 | 1 | main half bushing STANDARD |
| 2 | 0.010.2657.0 | 1 | main half bushing - mm 0.25 |
| 3 | 0.010.2657.1 | 1 | main half bushing - mm 0.50 |
| 4 | 0.010.2657.2 | 1 | main half bushing - mm 0.75 |

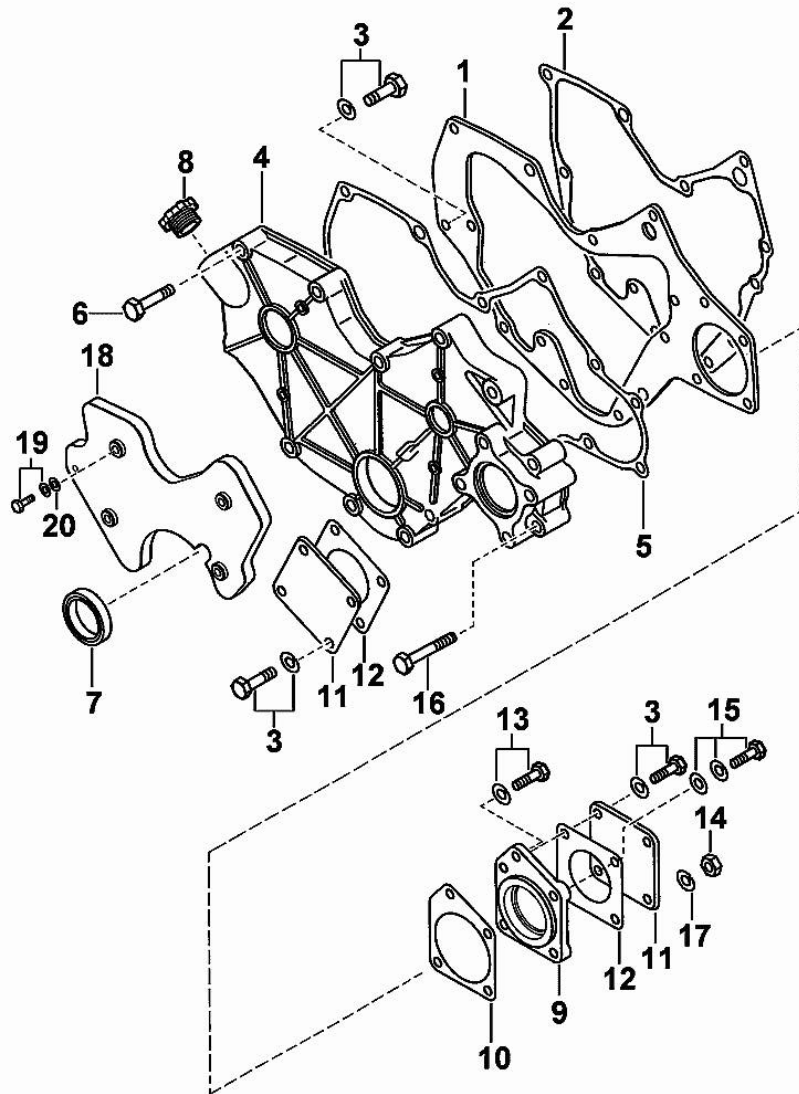


MIT_H36_012-A-001

0104B1-001E

TIMING CASE

| Fig. | P/n | QTY | Name |
|------|--------------|-----|---------------|
| 1 | 0.010.2658.0 | 1 | plate |
| 2 | 0.010.2658.1 | 1 | gasket |
| 3 | 0.010.2639.1 | 10 | screw |
| 4 | 0.010.3951.1 | 1 | flange |
| 5 | 0.010.2659.0 | 1 | gasket |
| 6 | 0.010.2659.1 | 8 | screw |
| 7 | 0.009.4537.0 | 1 | gasket |
| 8 | 0.010.3951.2 | 1 | plug |
| 9 | 0.010.2660.0 | 1 | flange |
| 10 | 0.010.2660.1 | 1 | gasket |
| 11 | 0.009.4756.0 | 2 | cover |
| 12 | 0.010.3952.0 | 2 | gasket |
| 13 | 0.010.2661.0 | 1 | screw |
| 14 | 0.010.2661.1 | 2 | nut |
| 15 | 0.010.3952.1 | 1 | screw |
| 16 | 0.010.3952.2 | 2 | screw |
| 17 | 0.009.4539.2 | 2 | spring washer |
| 18 | 0.010.3953.0 | 1 | cover |
| 19 | 0.010.2662.2 | 4 | screw |
| 20 | 0.010.2663.0 | 4 | washer |

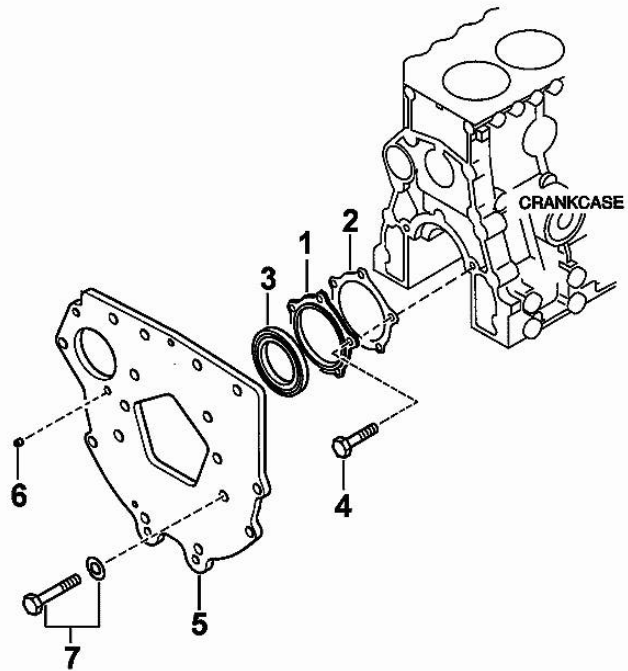


MIT_H36_013-A-001

01051-018

FLYWHEEL HOUSING

| Fig. | P/n | QTY | Name |
|------|--------------|-----|------------------|
| 1 | 0.010.2654.2 | 1 | flange |
| 2 | 0.010.2655.0 | 1 | gasket |
| 3 | 0.010.2655.1 | 1 | special oil seal |
| 4 | 0.010.2655.2 | 5 | screw |
| 5 | 0.010.3953.1 | 1 | flange |
| 6 | 0.009.4532.2 | 1 | pin |
| 7 | 0.010.3953.2 | 10 | screw |

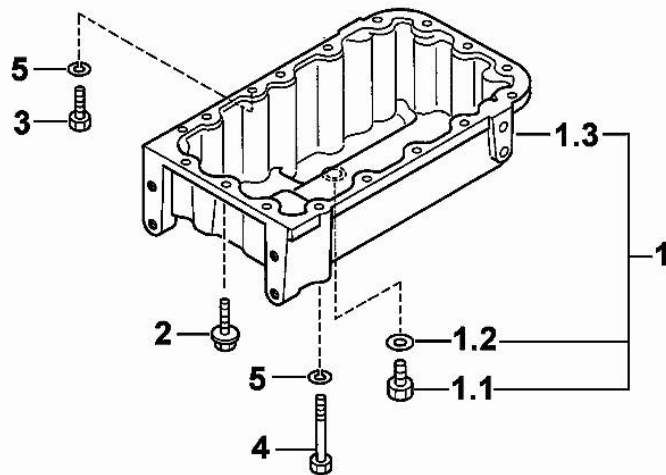
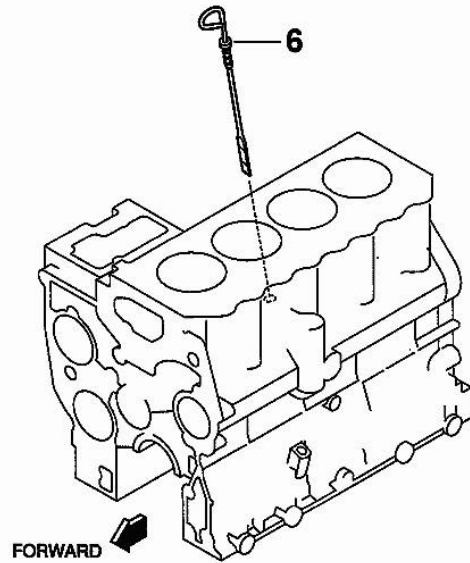


MIT_H36_014-A-001

01061-019E

OIL PAN

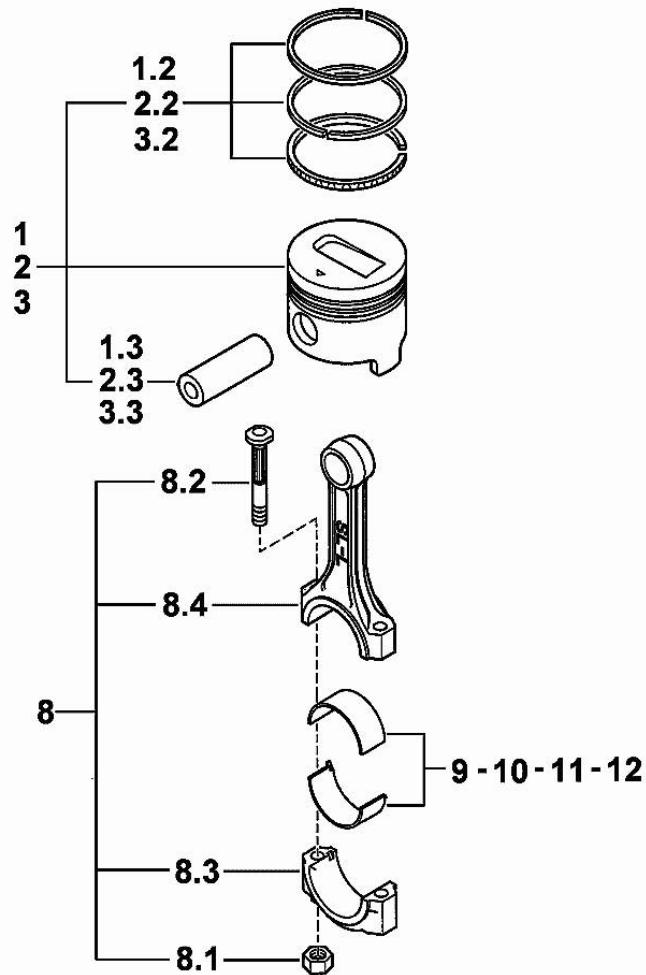
| Fig. | P/n | QTY | Name |
|------|--------------|-----|--------------------|
| 1 | 0.010.3954.0 | 1 | oil sump |
| 1.1 | 0.010.2664.0 | 1 | plug |
| 1.2 | 0.010.2663.2 | 1 | gasket |
| 1.3 | 0.000.0000.1 | | cannot be supplied |
| 2 | 0.010.3954.1 | 12 | screw |
| 3 | 0.010.2664.2 | 1 | screw |
| 4 | 0.010.2665.0 | 4 | screw |
| 5 | 0.010.2665.1 | 5 | washer |
| 6 | 0.010.2687.1 | 1 | dipstick |



MIT_H36_015-A-001

01071-038E

PISTON - CONNECTING ROD



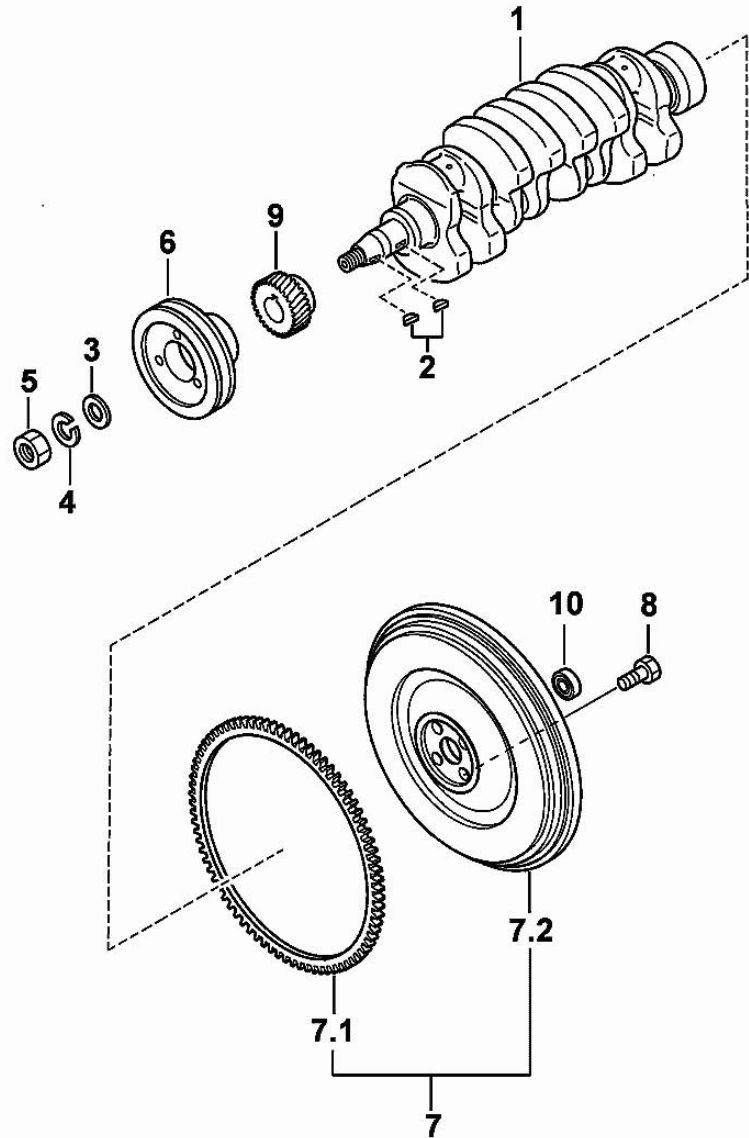
| Fig. | P/n | QTY | Name |
|------|--------------|-----|--------------------------------|
| 1 | 0.M88.0060.6 | 4 | complete piston STANDARD |
| 1.2 | 0.008.0052.6 | 4 | piston ring set STANDARD |
| 1.3 | 0.010.2668.0 | 4 | piston pin |
| 2 | 0.M88.0061.6 | 4 | complete piston + mm 0.25 |
| 2.2 | 0.008.0053.6 | 4 | piston ring set + mm 0.25 |
| 2.3 | 0.010.2668.0 | 4 | piston pin |
| 3 | 0.M88.0062.6 | 4 | complete piston + mm 0.50 |
| 3.2 | 0.008.0054.6 | 4 | piston ring set + mm 0.50 |
| 3.3 | 0.010.2668.0 | 4 | piston pin |
| 8 | 0.010.3988.0 | 4 | engine connecting rod |
| 8.1 | 0.009.4783.0 | 8 | nut |
| 8.2 | 0.010.2668.2 | 8 | screw |
| 8.3 | 0.000.0000.1 | | cannot be supplied |
| 8.4 | 0.000.0000.1 | | cannot be supplied |
| 9 | 0.009.4782.1 | 4 | con.rod half bushing STANDARD |
| 10 | 0.010.2669.0 | 4 | con.rod half bushing - mm 0.25 |
| 11 | 0.010.2669.1 | 4 | con.rod half bushing - mm 0.50 |
| 12 | 0.010.2669.2 | 4 | con.rod half bushing - mm 0.75 |

MIT_H36_018-A-001

0108A1-002 47CV

CRANKSHAFT - FLYWHEEL

| Fig. | P/n | QTY | Name |
|------|--------------|-----|--------------------|
| 1 | 0.010.3988.1 | 1 | crankshaft |
| 2 | 0.009.4555.1 | 2 | key |
| 3 | 0.009.4554.2 | 1 | flat washer |
| 4 | 0.009.4555.0 | 1 | spring washer |
| 5 | 0.009.4554.1 | 1 | nut |
| 6 | 0.010.2672.2 | 1 | pulley |
| 7 | 0.010.3954.2 | 1 | flywheel |
| 7.1 | 0.010.2671.0 | 1 | crown wheel Z=110 |
| 7.2 | 0.000.0000.1 | | cannot be supplied |
| 8 | 0.009.4557.0 | 4 | screw |
| 9 | 0.010.3955.0 | 1 | gear Z = 28 |
| 10 | 0.009.4556.1 | 1 | special bearing |

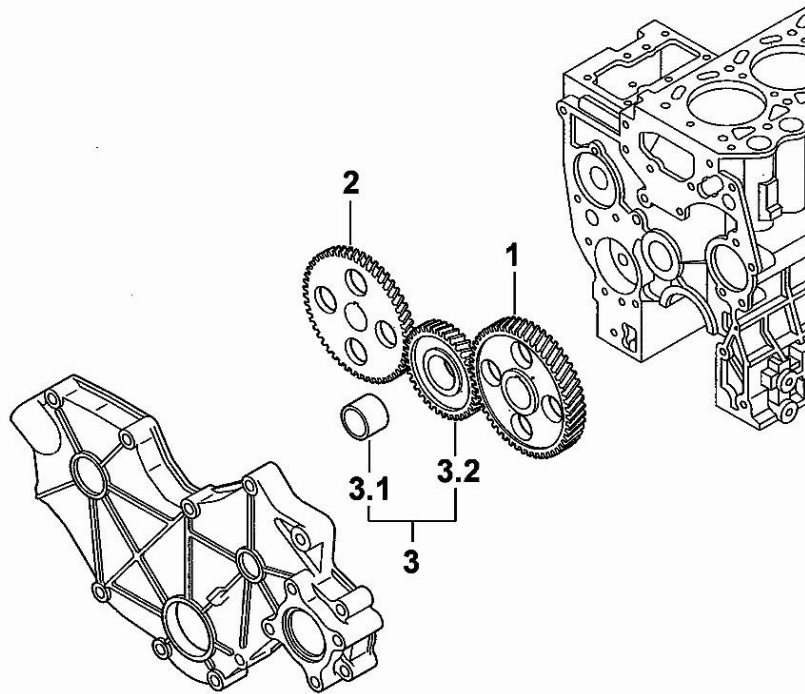


MIT_H36_020-A-001

0108B1-021 47CV

CAMSHAFT

| Fig. | P/n | QTY | Name |
|------|--------------|-----|--------------------|
| 1 | 0.010.3955.1 | 1 | gear z=56 |
| 2 | 0.010.3955.2 | 1 | gear z=56 |
| 3 | 0.010.3956.0 | 1 | gear z=39 |
| 3.1 | 0.000.0000.1 | | cannot be supplied |
| 3.2 | 0.000.0000.1 | | cannot be supplied |



MIT_H36_021-A-001

01091-020E



Suggest:

For more complete manuals. Please go to the home page.

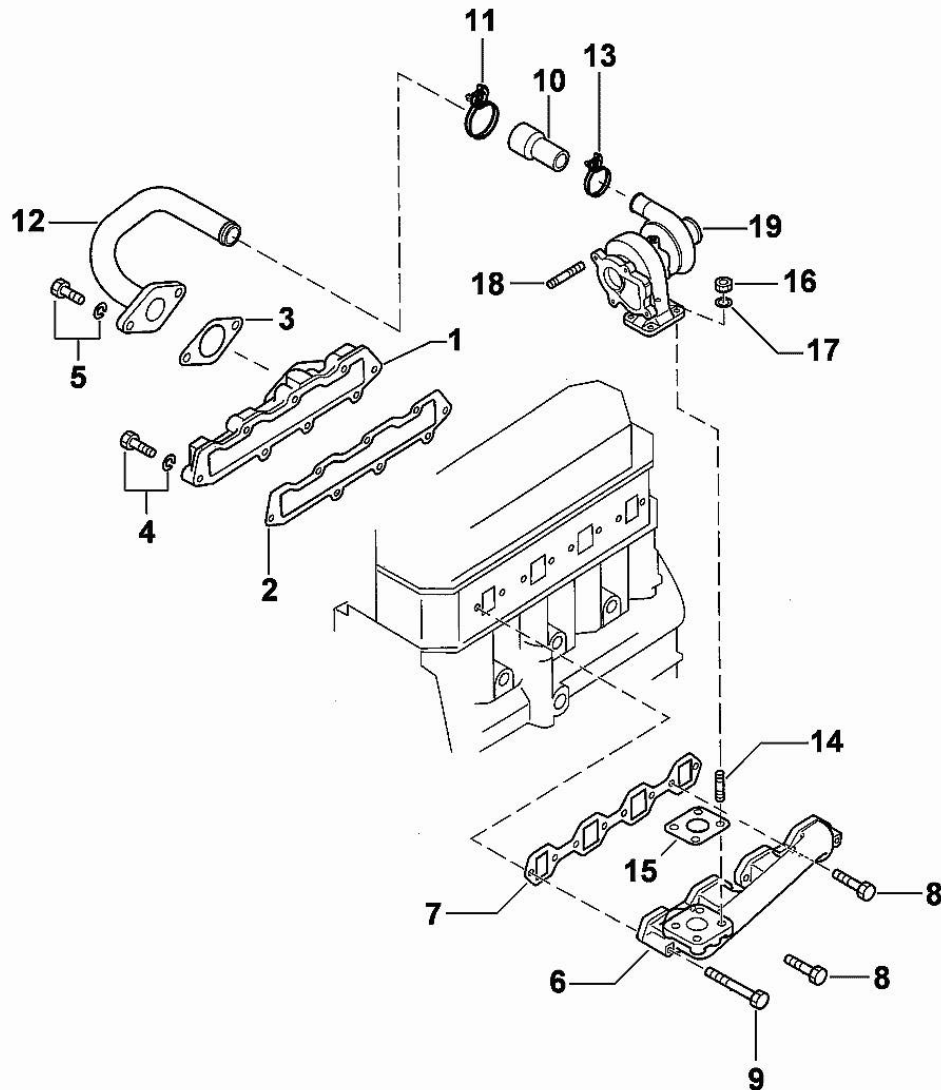
<https://www.ebooklibonline.com>

If the above button click is invalid. Please download this document first, and then click the above link to download the complete manual.

Thank you so much for reading

INTAKE AND EXHAUST

| Fig. | P/n | QTY | Name |
|------|--------------|-----|------------------|
| 1 | 0.010.3975.0 | 1 | cover |
| 2 | 0.010.3975.1 | 1 | gasket |
| 3 | 0.010.2676.2 | 1 | gasket |
| 4 | 0.010.2677.0 | 8 | screw |
| 5 | 0.010.2677.1 | 2 | screw |
| 6 | 0.010.3975.2 | 1 | exhaust manifold |
| 7 | 0.010.2680.1 | 1 | gasket |
| 8 | 0.010.3956.2 | 6 | screw |
| 9 | 0.010.3957.0 | 2 | screw |
| 10 | 0.010.3976.0 | 1 | sleeve |
| 11 | 0.010.3993.0 | 1 | clamp |
| 12 | 0.010.3973.1 | 1 | tube |
| 13 | 0.010.3976.1 | 1 | clamp |
| 14 | 0.009.4796.1 | 4 | stud bolt |
| 15 | 0.010.3976.2 | 1 | gasket |
| 16 | 0.009.4799.2 | 4 | nut |
| 17 | 0.009.4842.0 | 4 | flat washer |
| 18 | 0.009.4842.1 | 4 | stud bolt |
| 19 | 0.010.3977.0 | 1 | turbo charger |

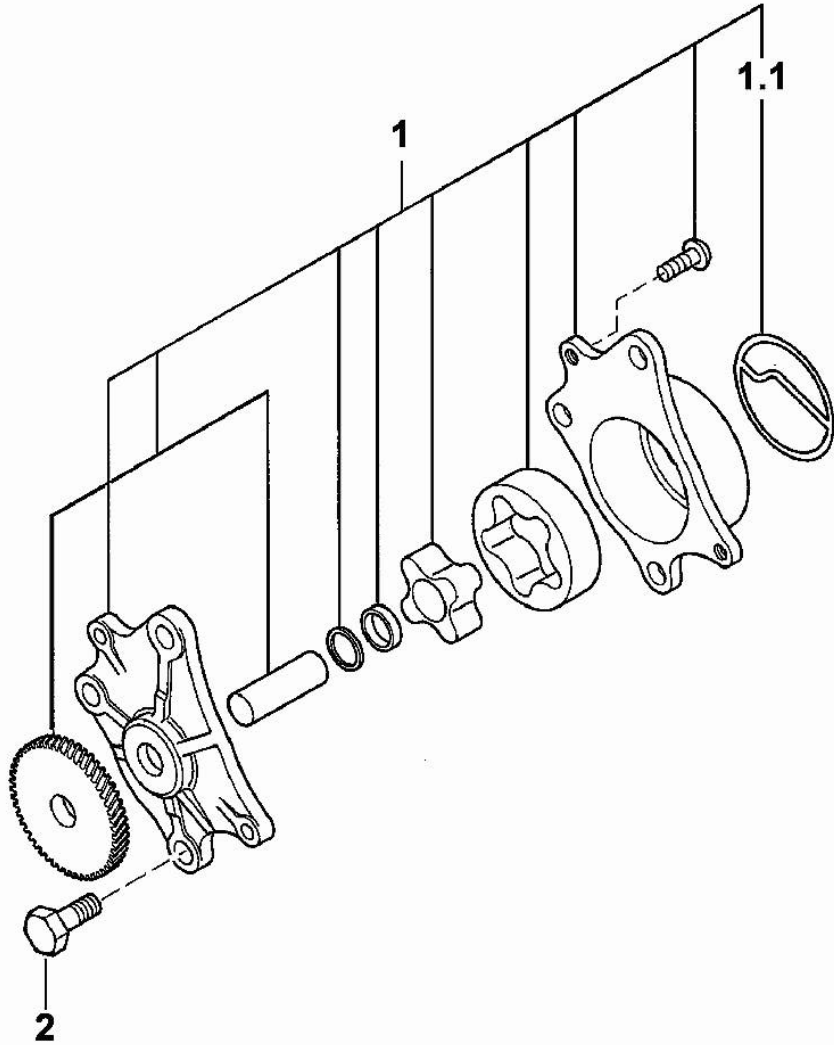


MIT_H36_024-A-001

02011-034E

OIL PUMP

| Fig. | P/n | QTY | Name |
|------|--------------|-----|----------|
| 1 | 0.010.2684.2 | 1 | oil pump |
| 1.1 | 0.010.2685.0 | 1 | gasket |
| 2 | 0.010.2685.1 | 3 | screw |



03011-001E

MIT_H36_025-A-001

<https://www.ebooklibonline.com>

Hello dear friend!

Thank you very much for reading.

Enter the link into your browser.

The full manual is available for immediate download.

<https://www.ebooklibonline.com>